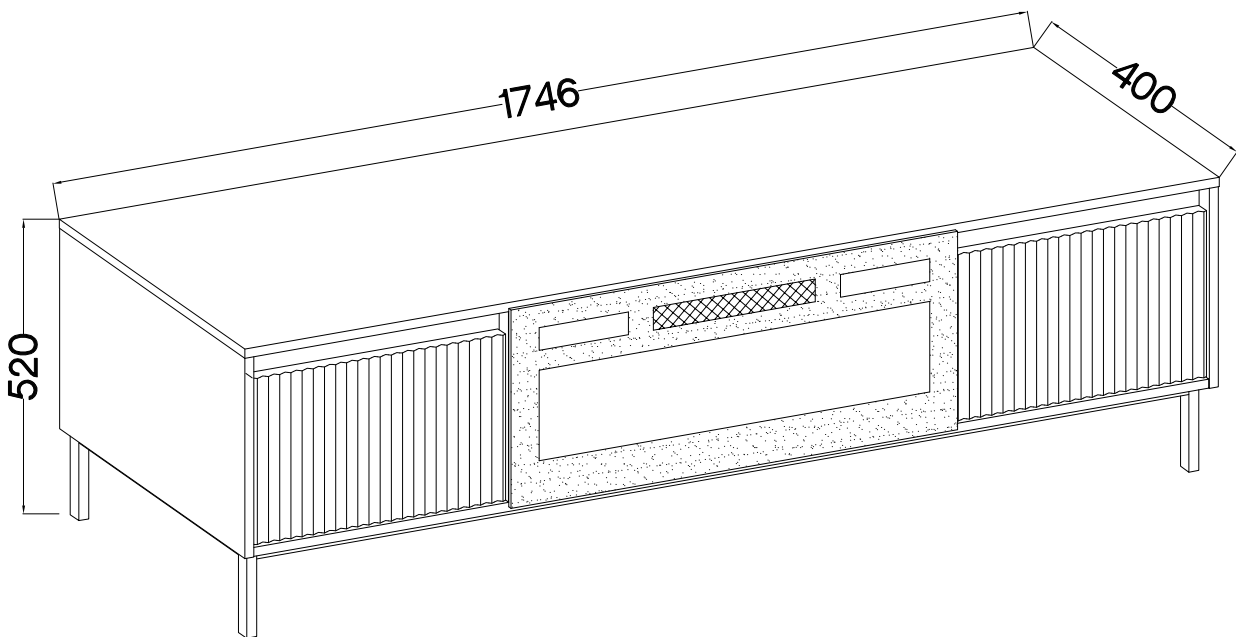
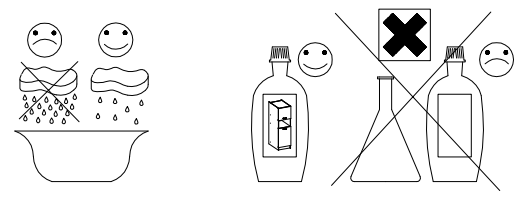
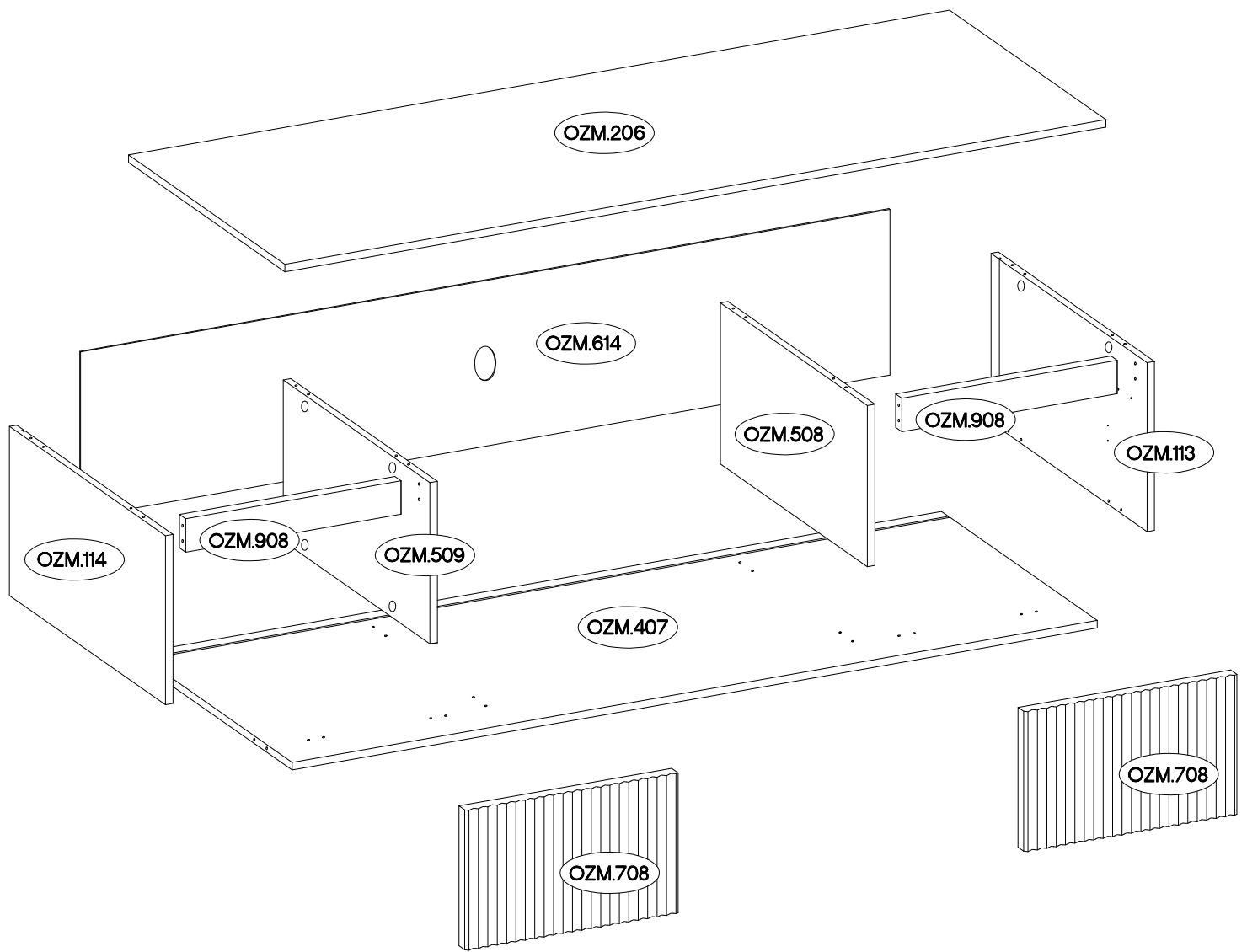


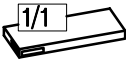
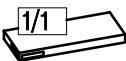
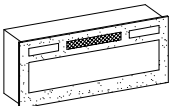
TYP 303

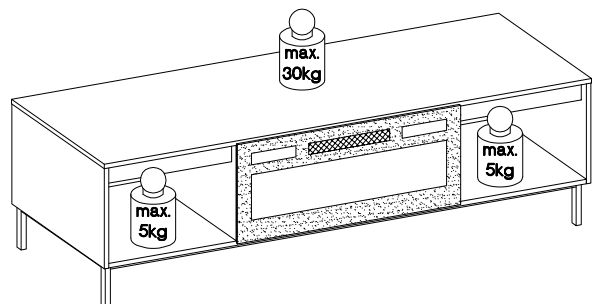


 +8x30mm A 24	 +15/12mm C 16	 +14 E13 4	 38x15cm SX15 2	 L=167cm SS4 2	 M5,8x30mm U16 4	 +4.0x30mm R2 12	 O 1		
 L=20mm D2 16	 E 12	 +35/16mm HG2 4	 K4 2	 L 16	 L9 1	 L46 2	 +10x50mm O7 1	 +3.5x13mm P5 25	 +3.0x20mm P7 6

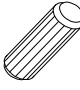


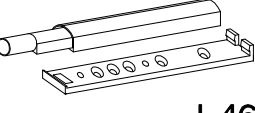

ISM-OZM-007

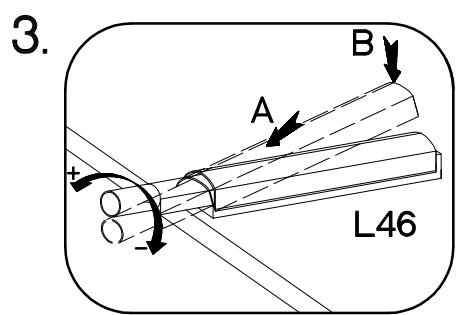
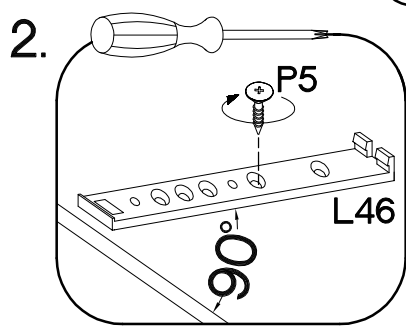
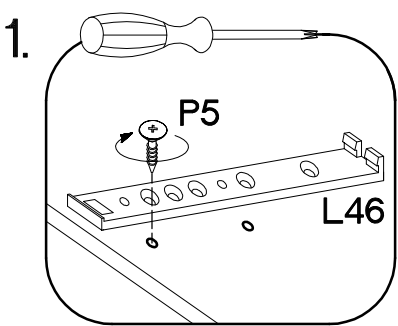
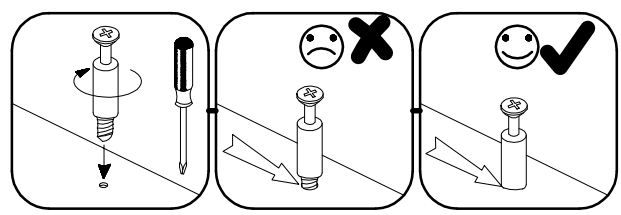
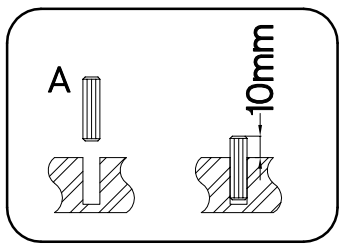
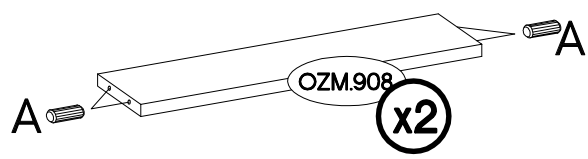
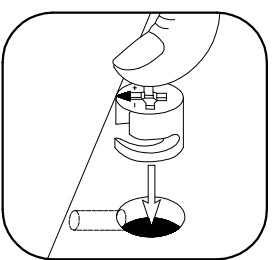
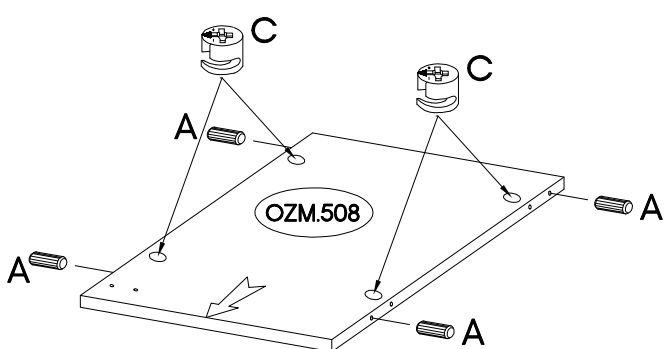
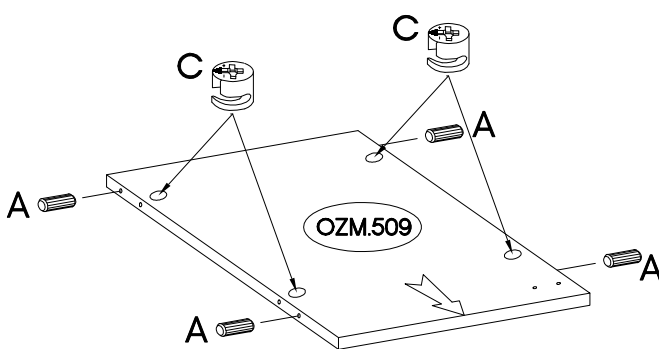
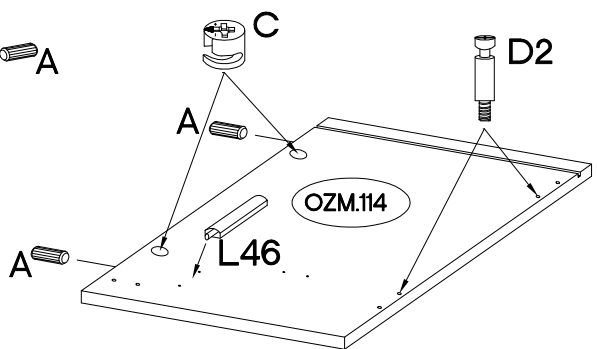
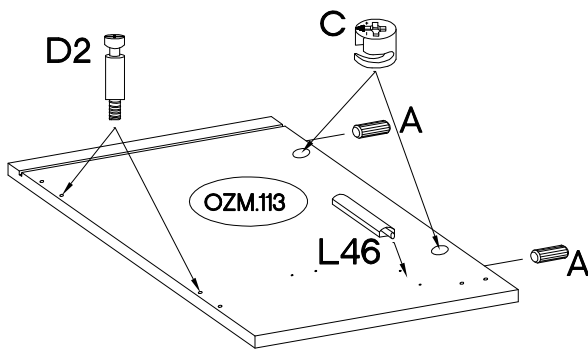
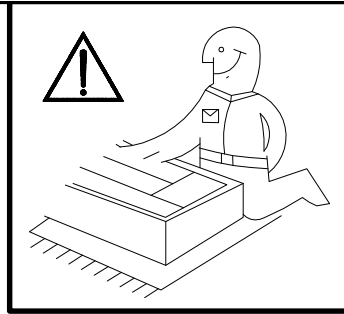


	Ersatzteil Nummer	Dimension
	OZM.113	354x399x16
	OZM.114	354x399x16
	OZM.508	338x375x16
	OZM.509	338x375x16
	OZM.206	1746x400x16
	OZM.407	1712x398x16
	OZM.908 x2	458x70x16
	OZM.614	1721x347x2,5
	OZM.708 x2	293x452x18
		L44

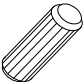
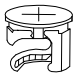



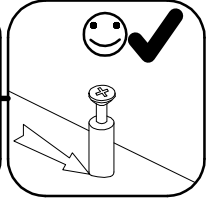
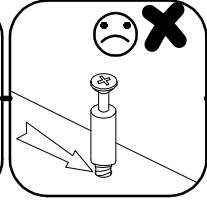
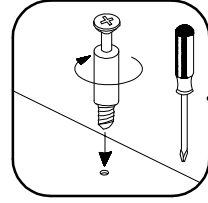
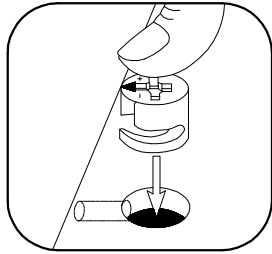
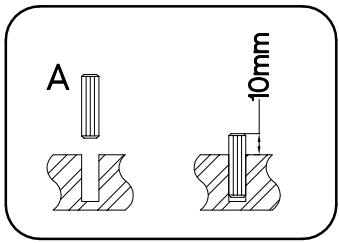
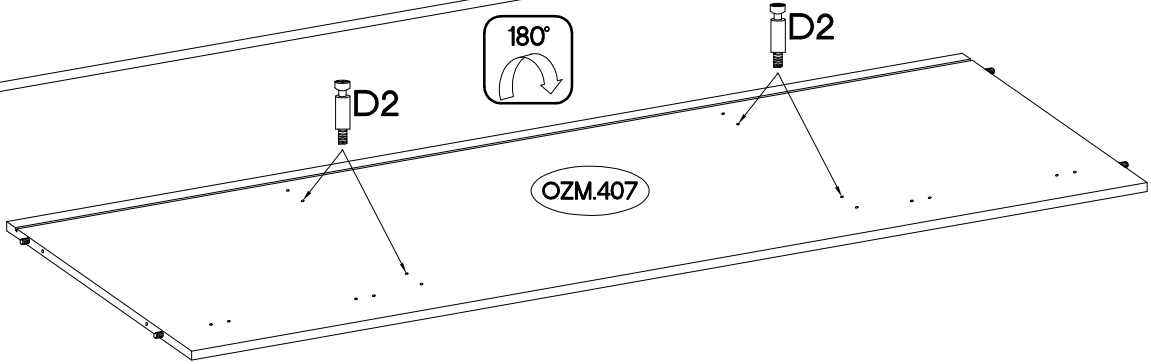
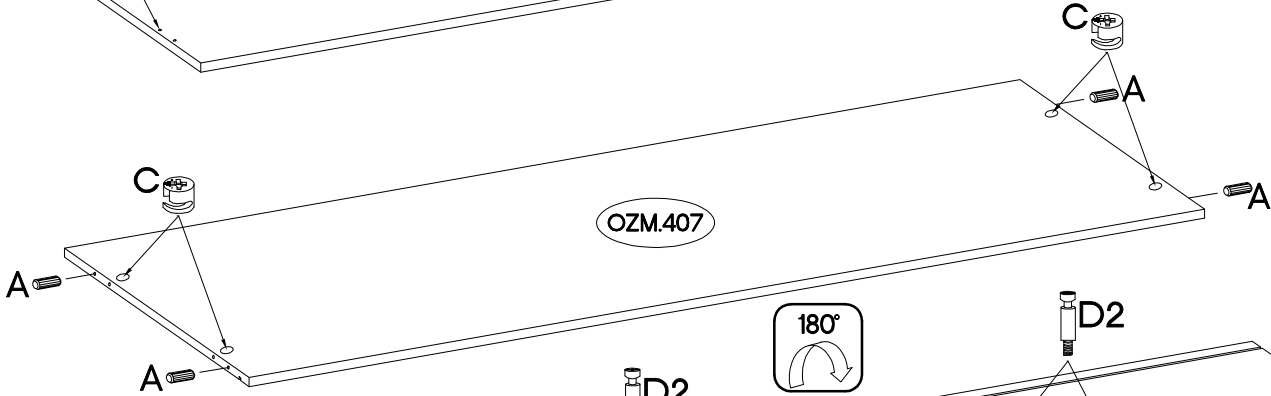
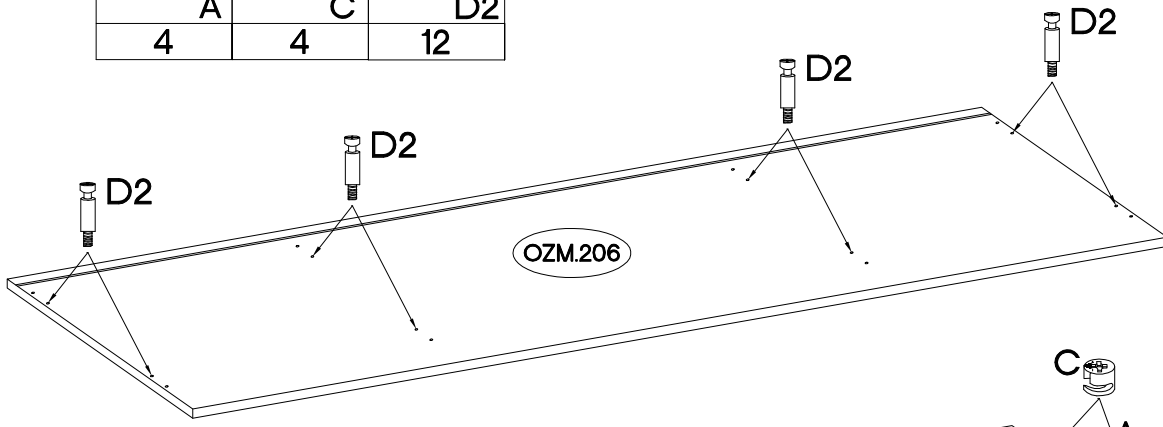
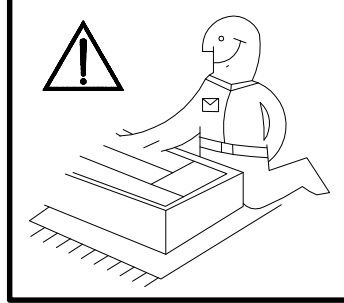
1

±8x30mm  A 20	±15/12mm  C 12	L=20mm  D2 4	 L46 2	±3.5x13mm  P5 4
--------------------------------------------------------------------------------------------------------	---------------------------------------------------------------------------------------------------------	-------------------------------------------------------------------------------------------------------	----------------------------------------------------------------------------------------------	----------------------------------------------------------------------------------------------------------

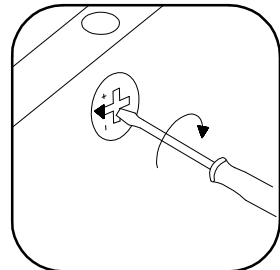
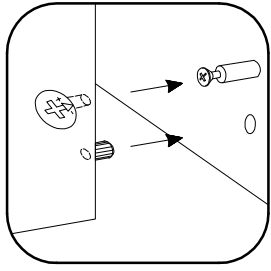
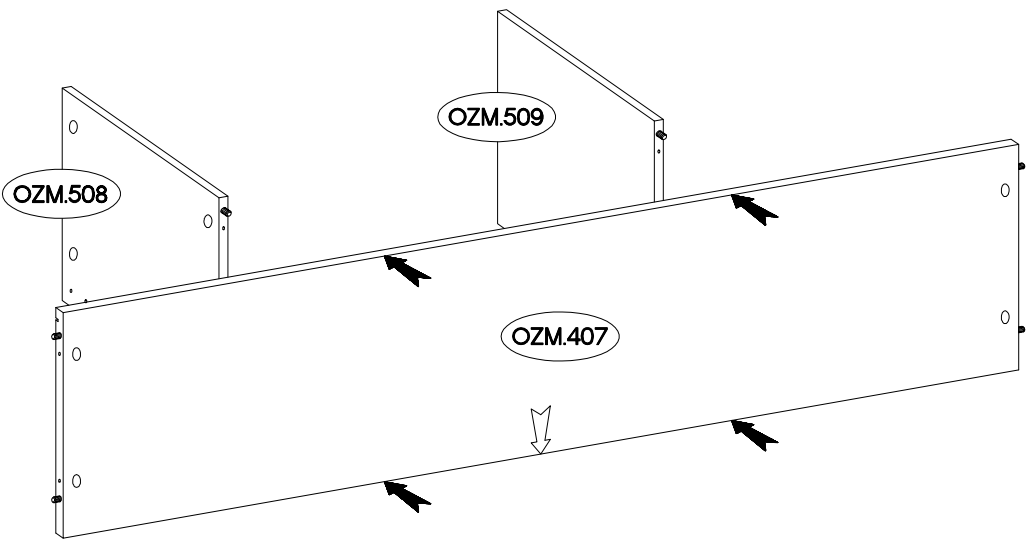


# 2

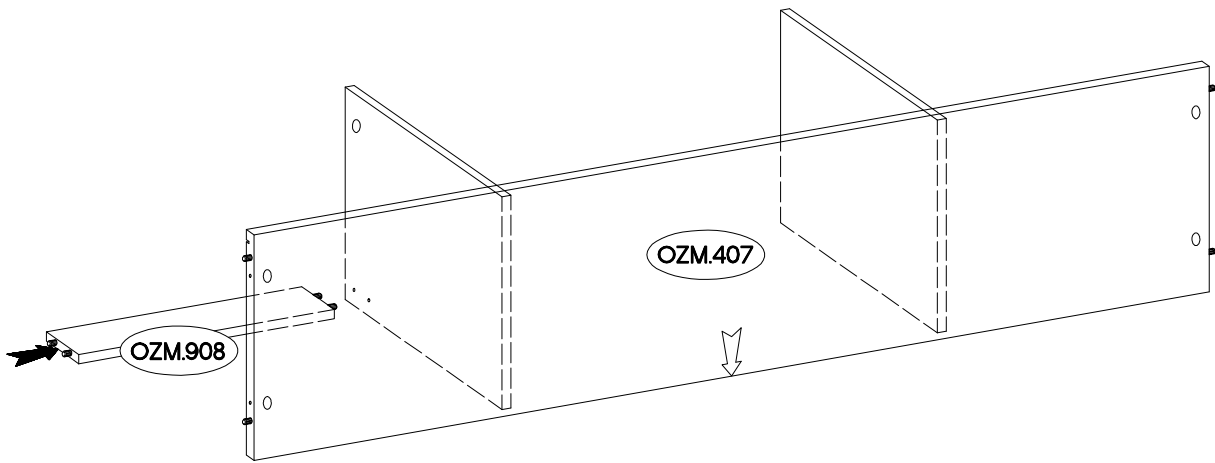
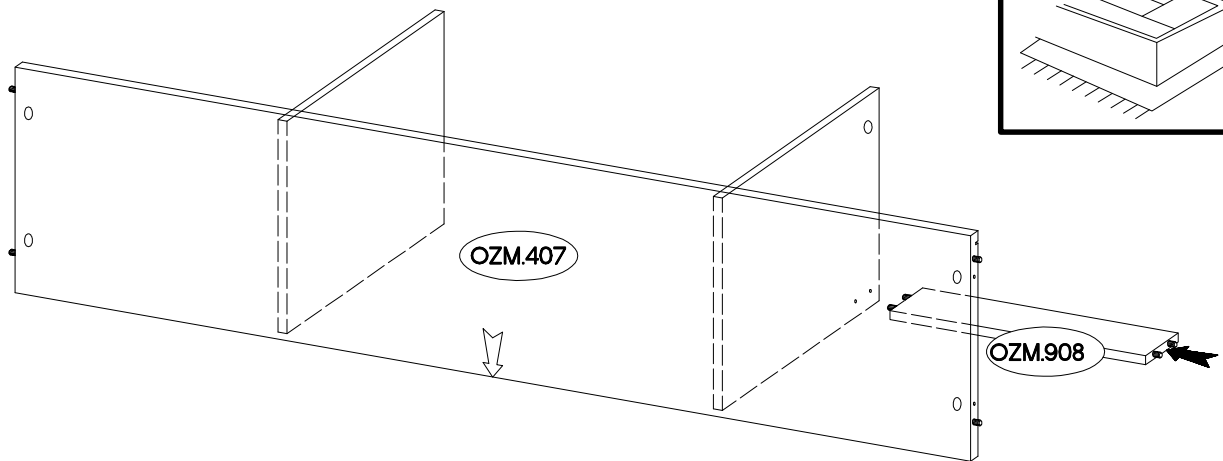
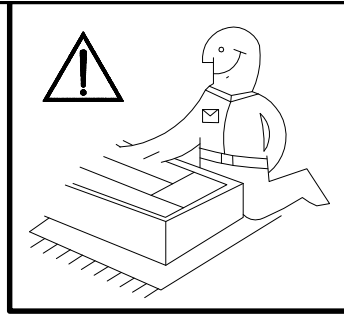
$\varnothing 8 \times 30 \text{mm}$  A 4	$\varnothing 15 / 12 \text{mm}$  C 4	L=20mm  D2 12
-----------------------------------------------------------------------------------------------------------------------------------	-------------------------------------------------------------------------------------------------------------------------------	--------------------------------------------------------------------------------------------------------



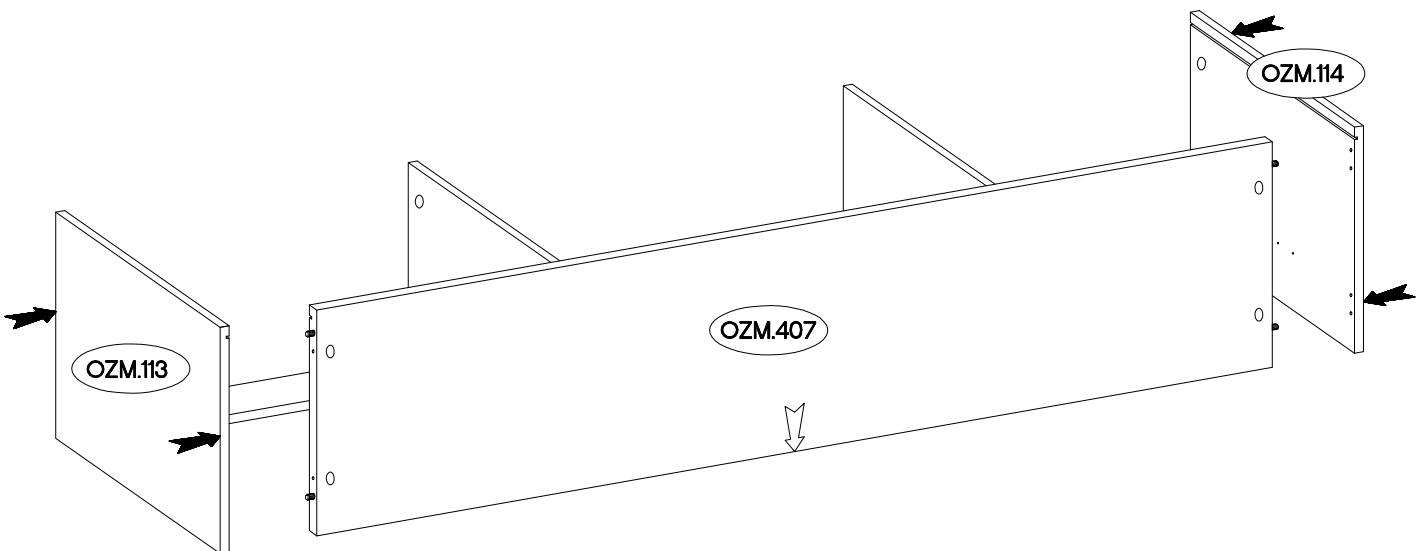
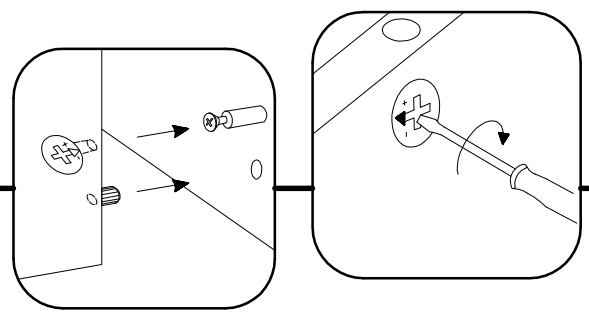
# 3




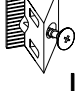
4

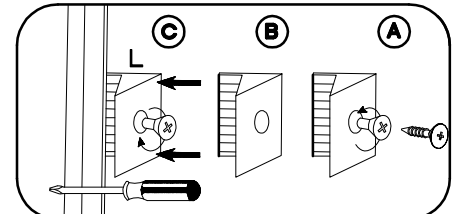
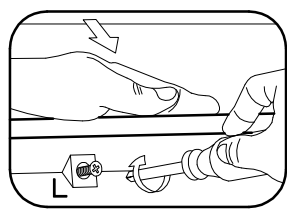
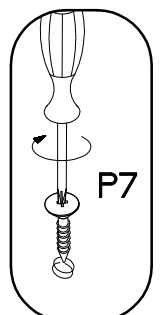
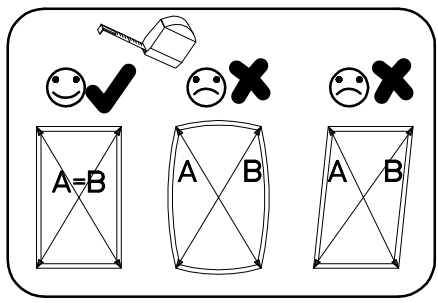
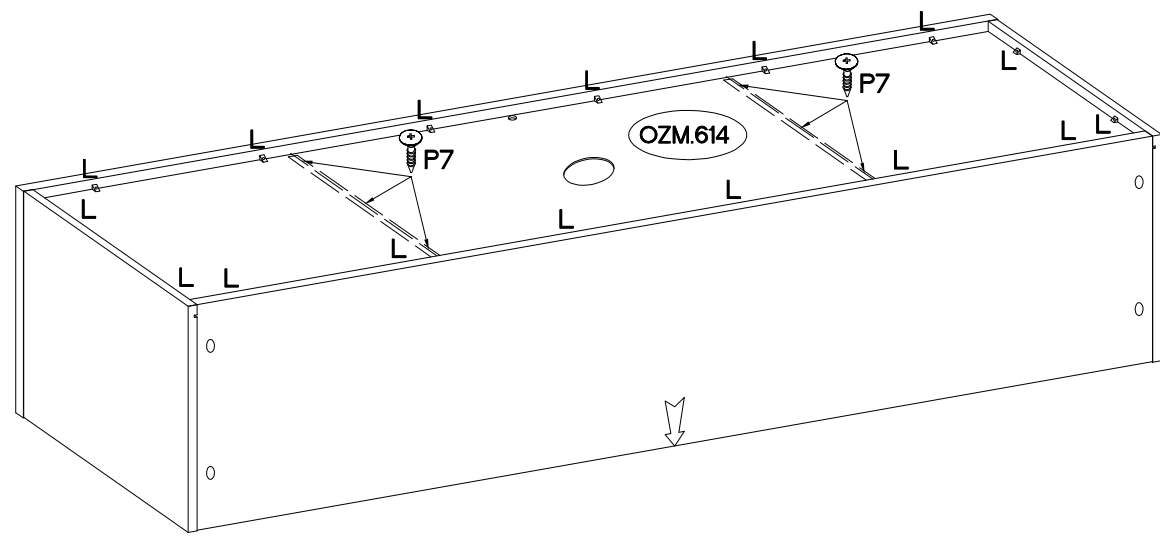
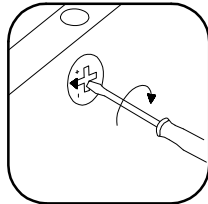
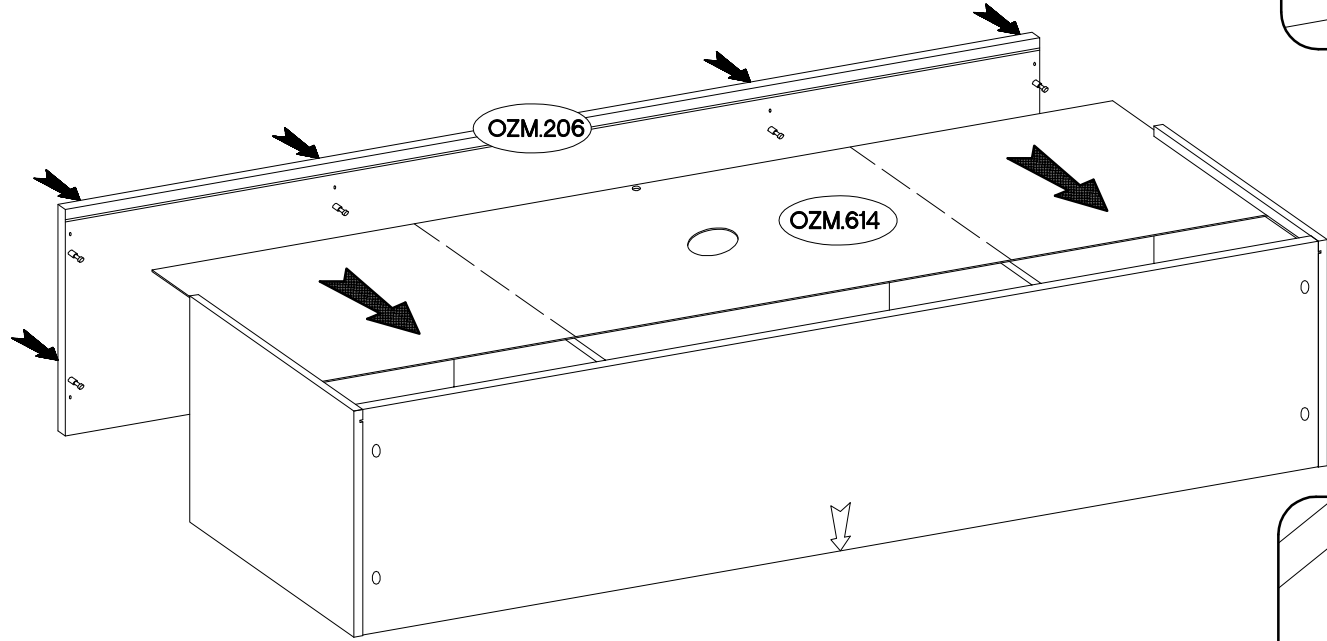
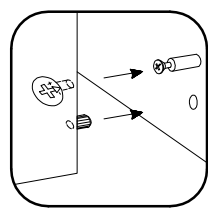
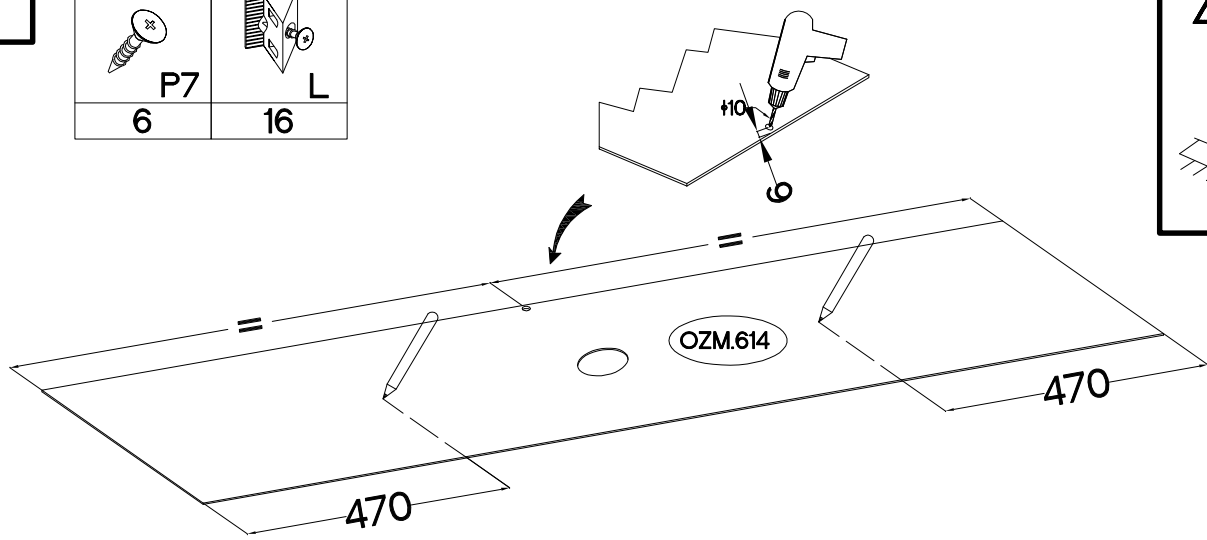
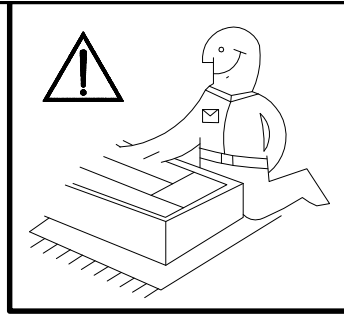



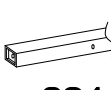



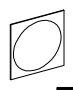
5

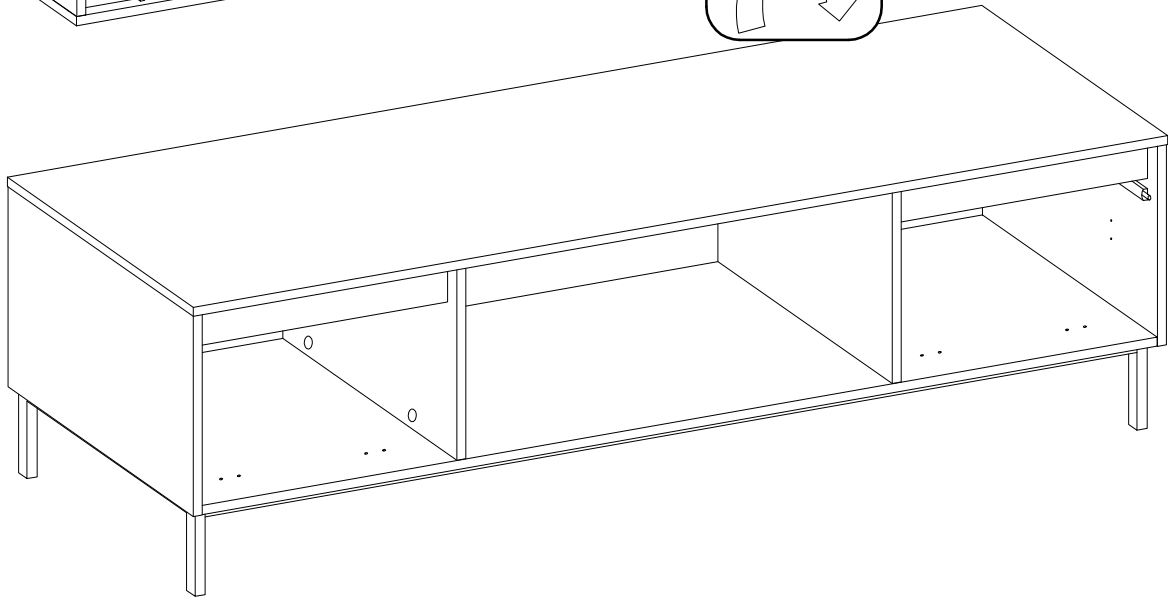
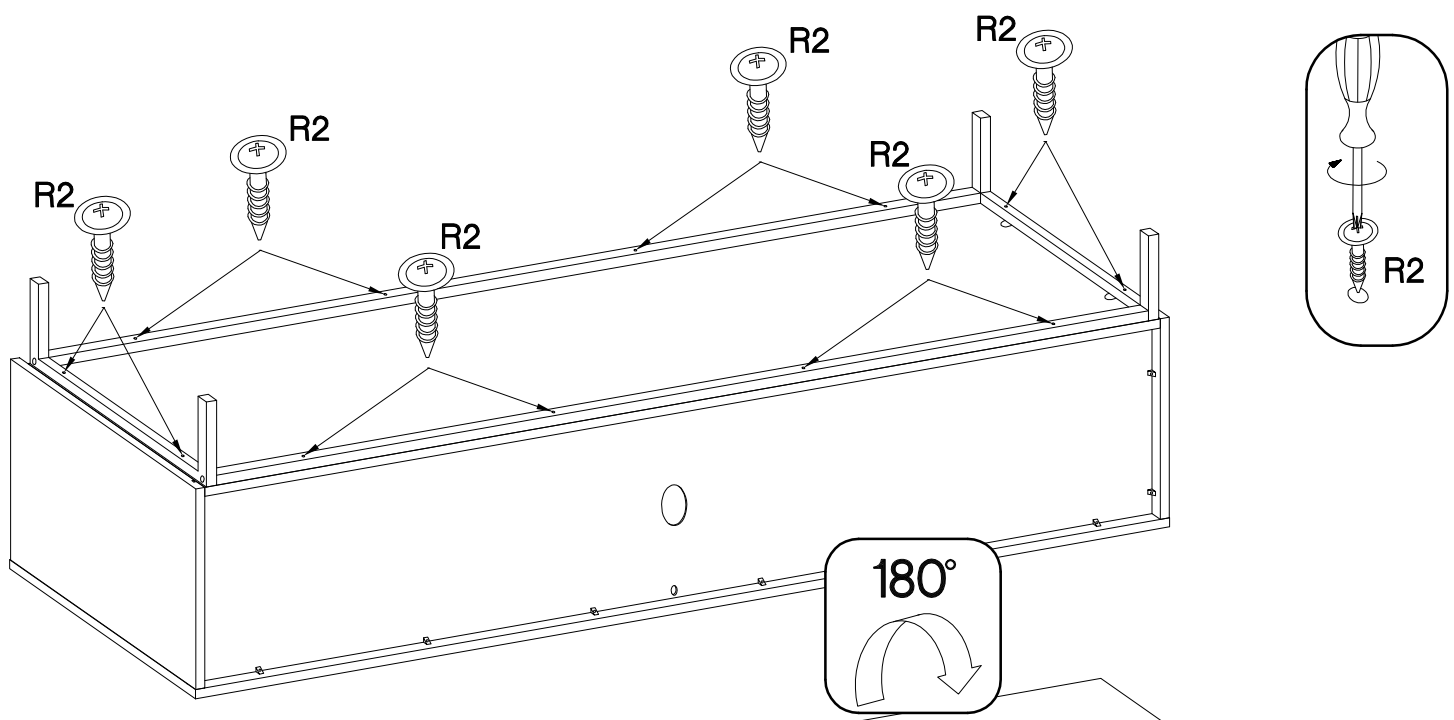
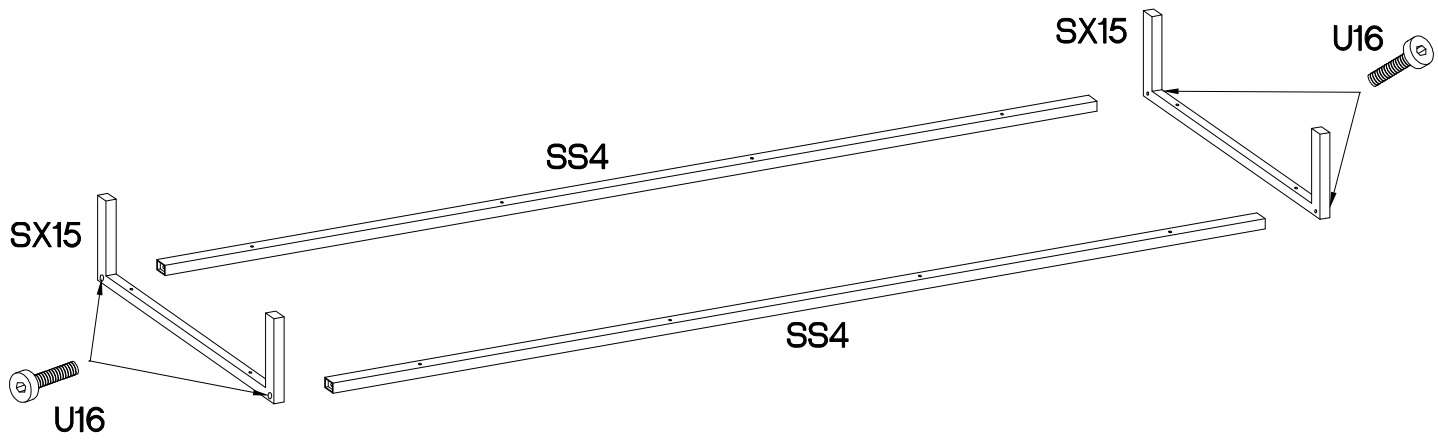
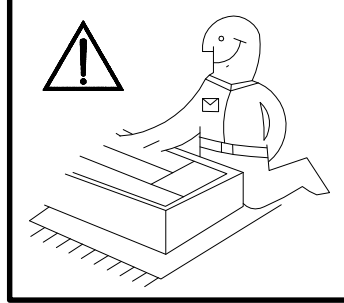


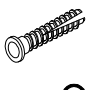


6

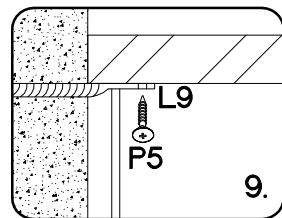
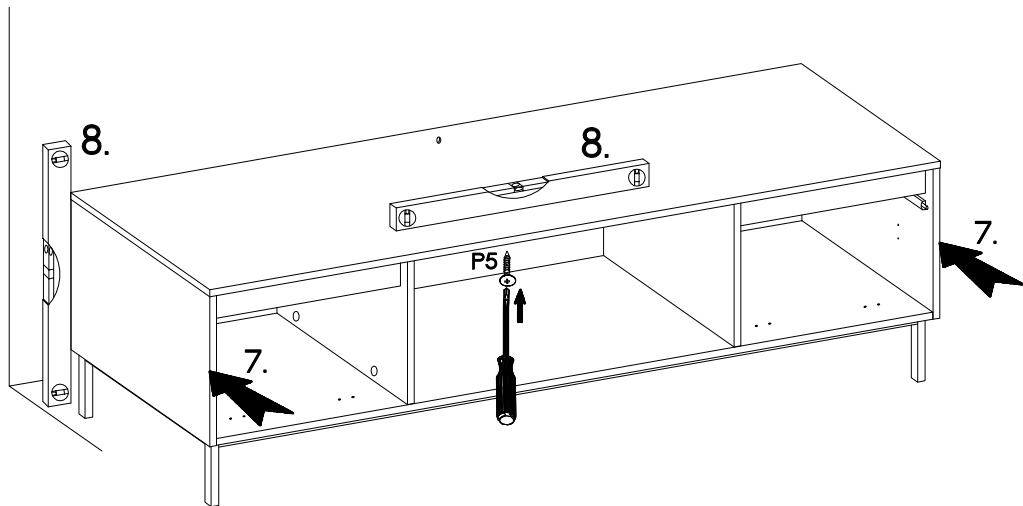
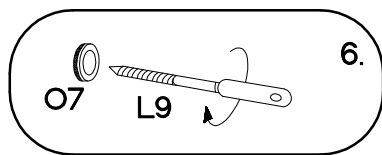
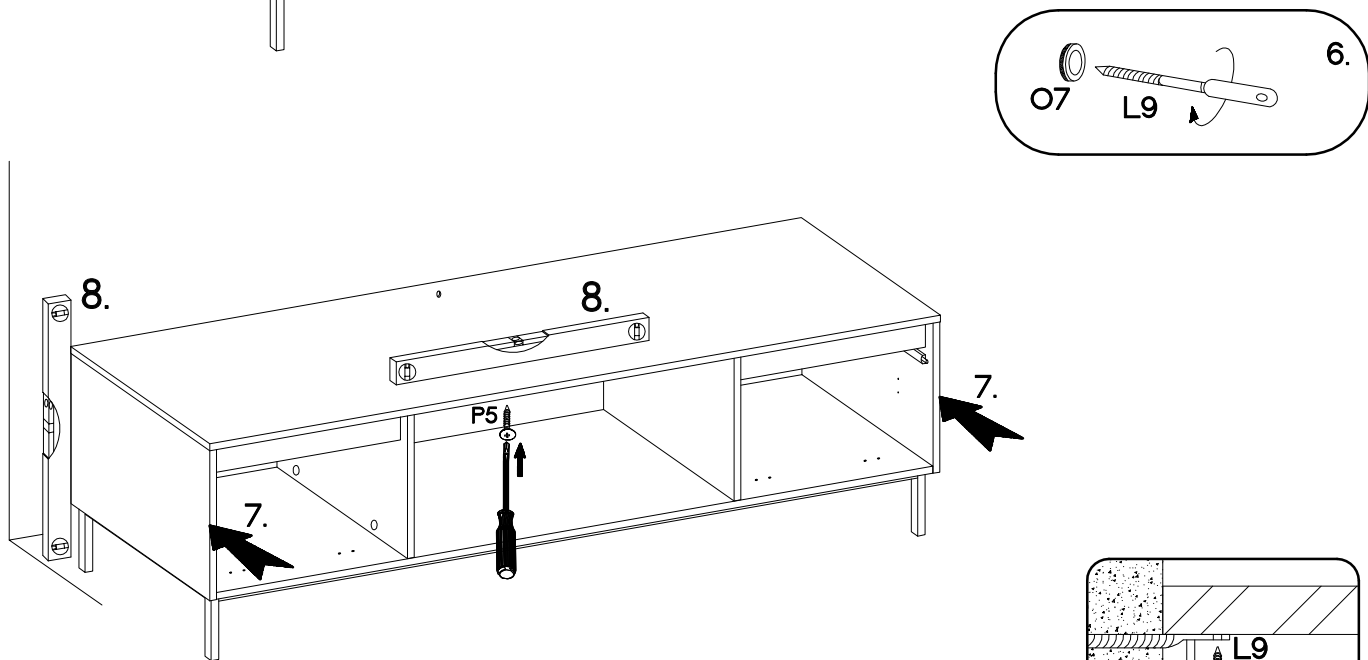
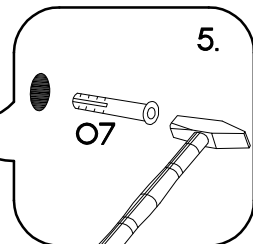
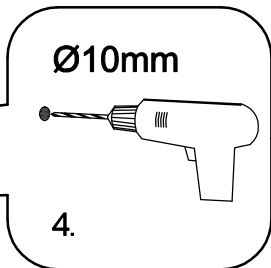
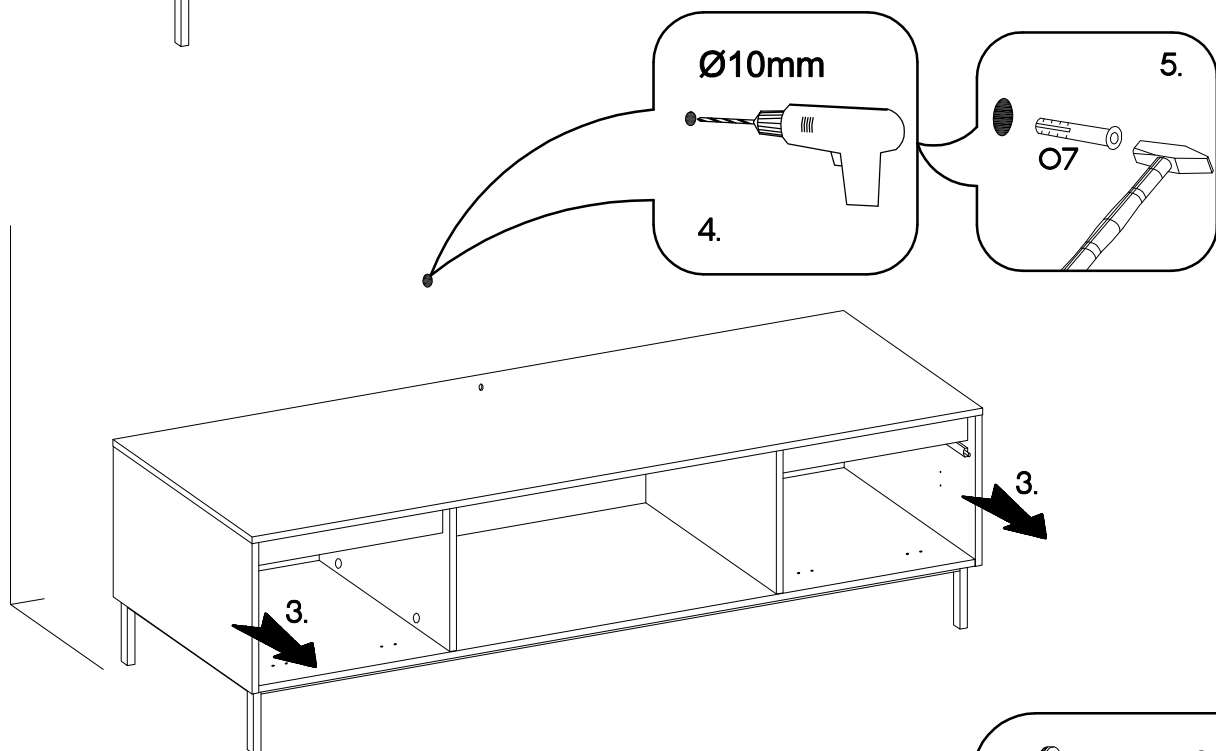
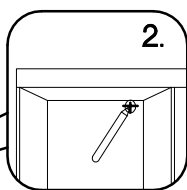
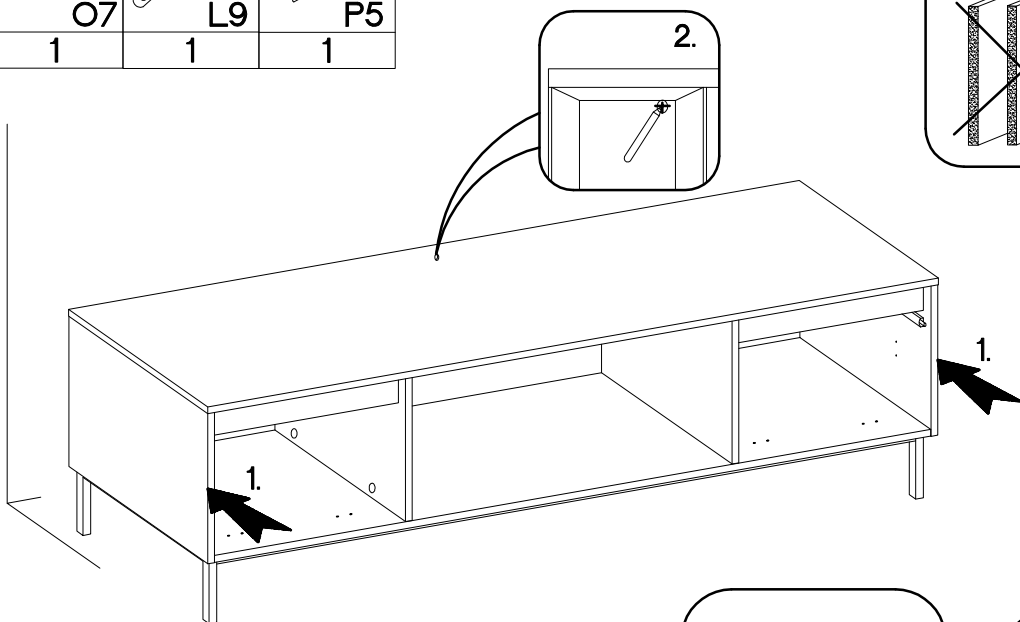
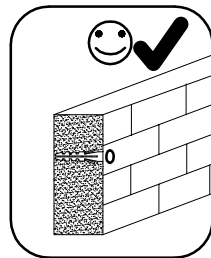
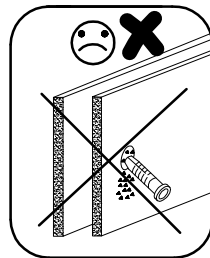
†3.0x20mm	
	
P7	L
6	16



38x15cm  SX15 2	L=167cm  SS4 2	M5,8x30mm  U16 4	4.0x30mm  R2 12	 O 1	14  E13 4
----------------------------------------------------------------------------------------------------------	---------------------------------------------------------------------------------------------------------	-----------------------------------------------------------------------------------------------------------	----------------------------------------------------------------------------------------------------------	--------------------------------------------------------------------------------------------	----------------------------------------------------------------------------------------------------

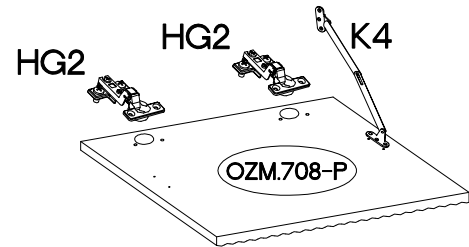
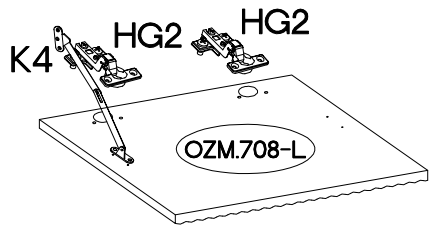
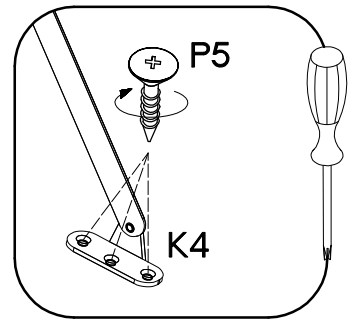
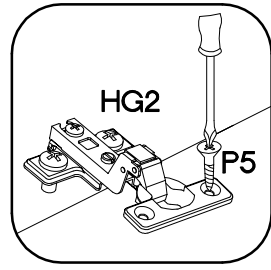


$\pm 10 \times 50 \text{mm}$  O7 1	 L9 1	$\pm 3.5 \times 13 \text{mm}$  P5 1
-----------------------------------------------------------------------------------------------------------------------------	---------------------------------------------------------------------------------------------	------------------------------------------------------------------------------------------------------------------------------



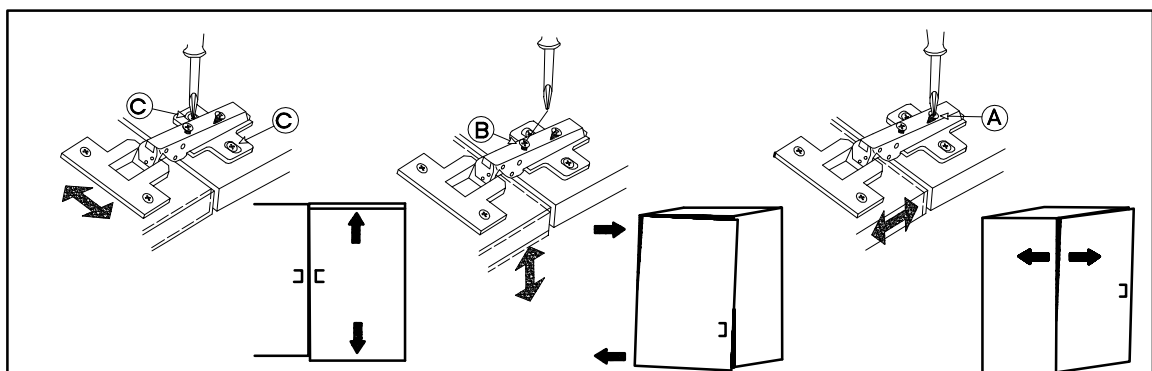
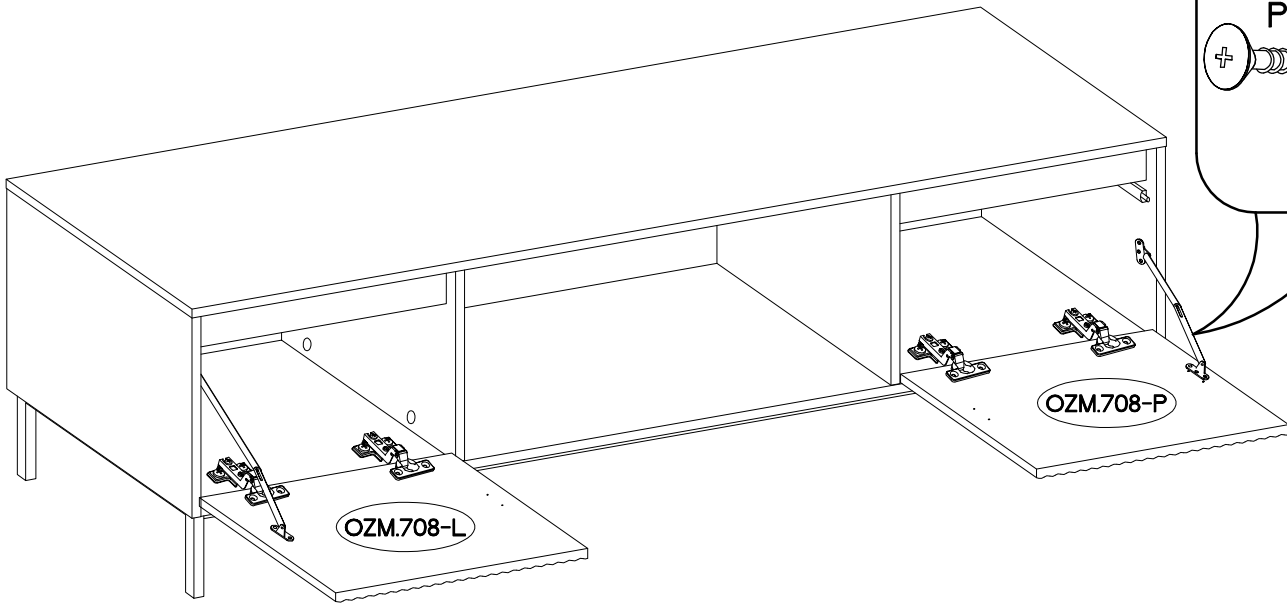
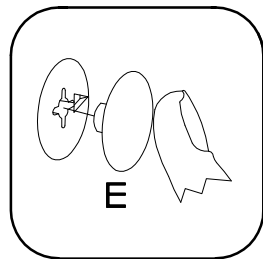
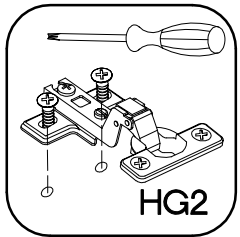
9

$\varnothing 35/16\text{mm}$ HG2 4	$\varnothing 3.5 \times 13\text{mm}$ P5 14	K4 2
------------------------------------------	--------------------------------------------------	---------

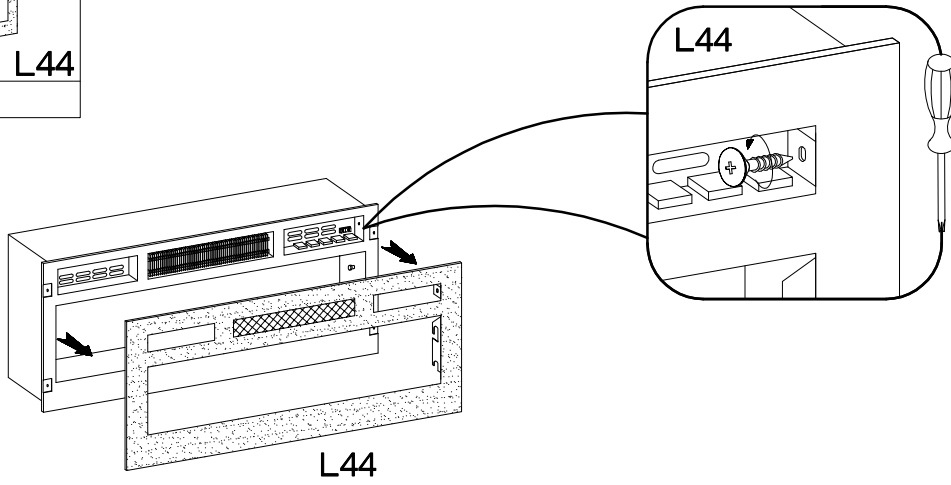
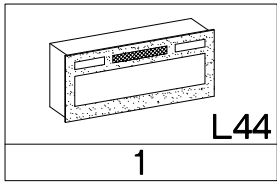


10

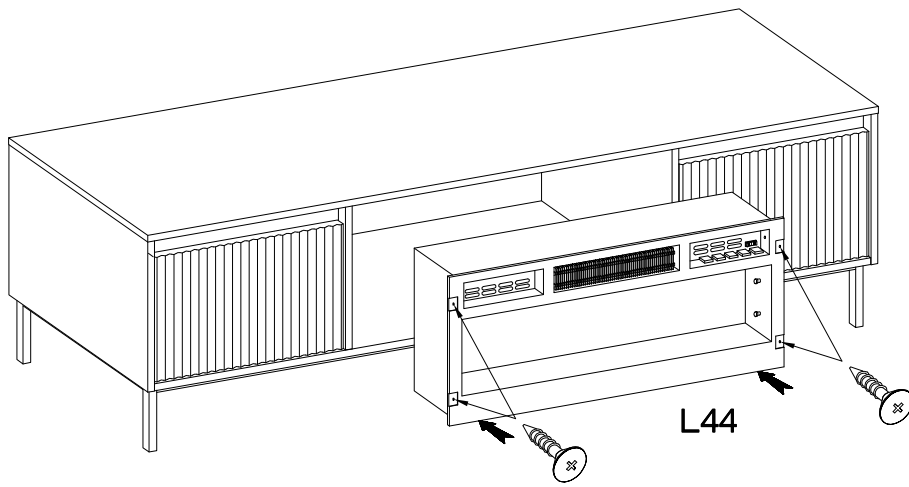
$\varnothing 3.5 \times 13\text{mm}$ P5 6	E 12
-------------------------------------------------	---------



11



12



13

