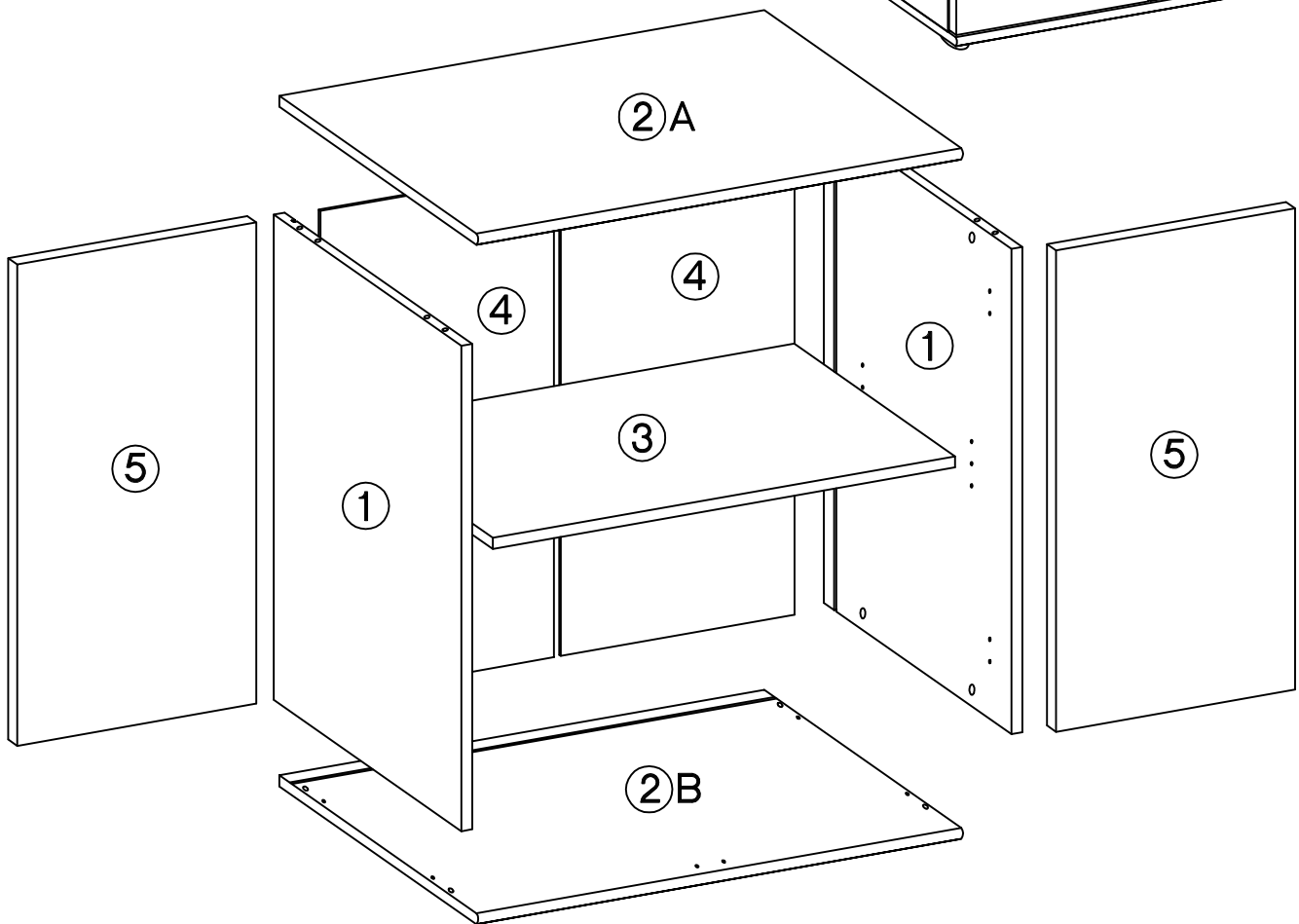
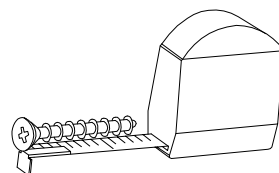








M-ISM-SLO-03

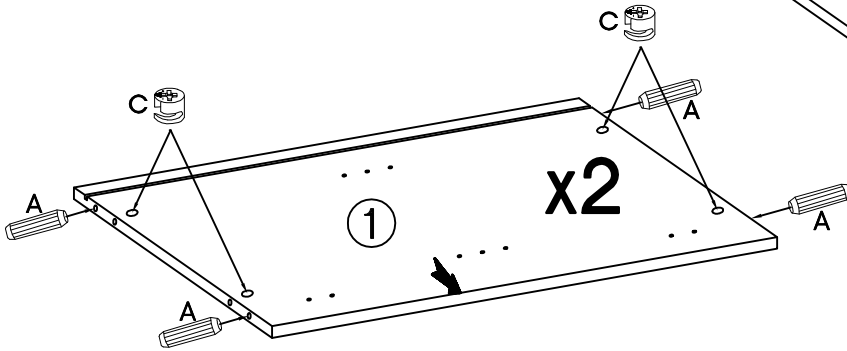
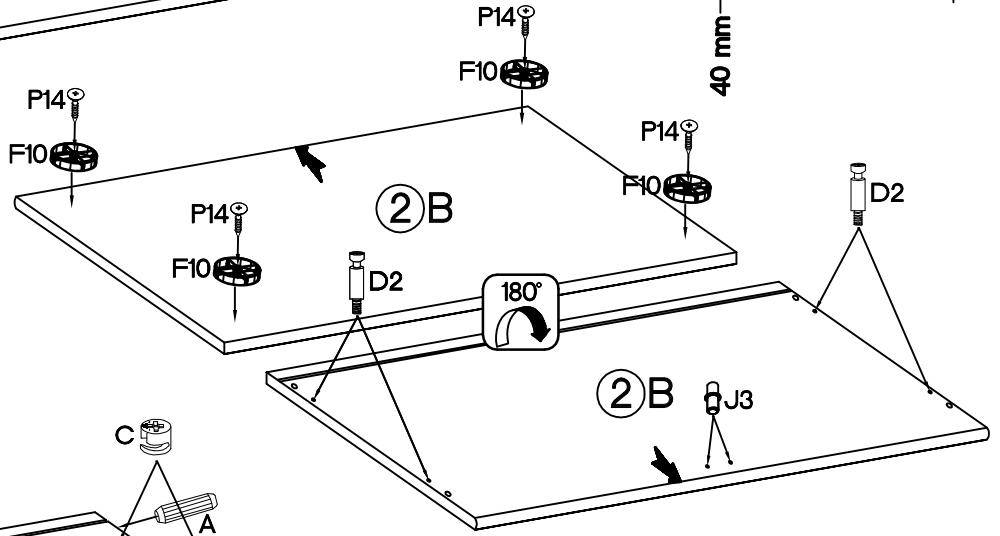
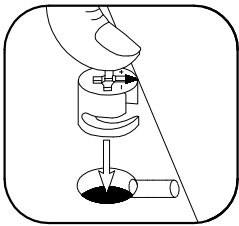
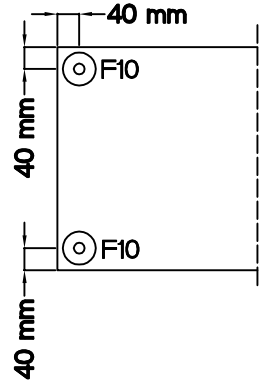
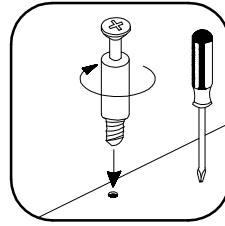
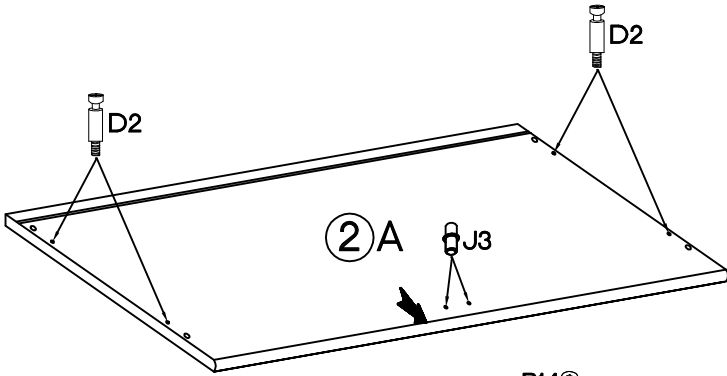


L-698mm L1 1	L-64 mm S13 2	3.5x13mm P5 9	4.0x25mm P14 4	 F10 4	 J3 8	10x50mm O7 1	 L9 1
4.0x30mm R2 4	 H 4	135/0mm G 4	18x30mm A 8	L-20mm D2 8	15/12mm C 8	 E 8	 L 8

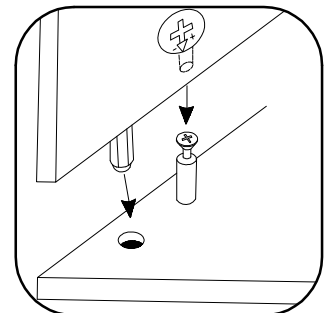
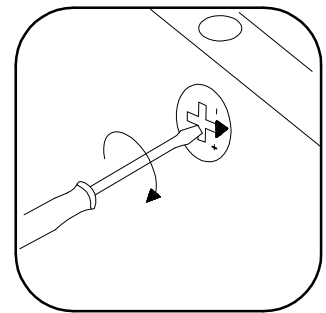
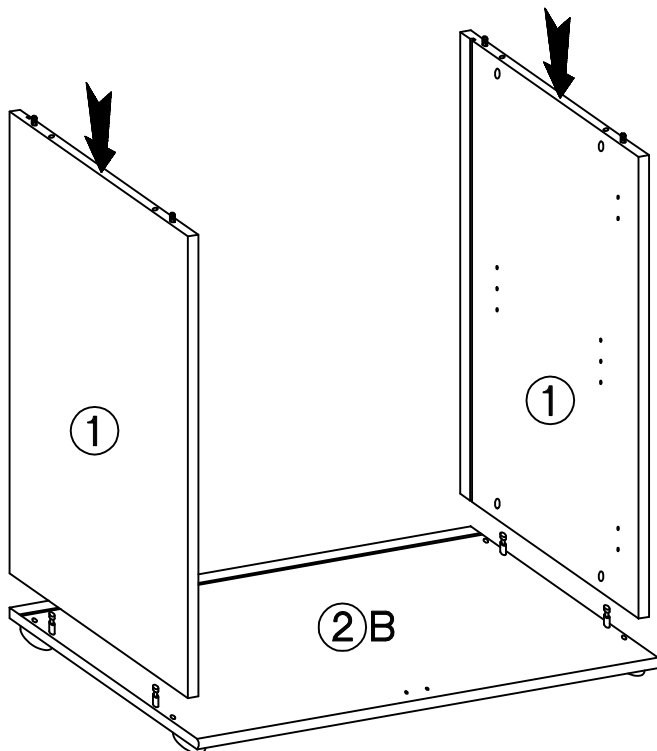


1.

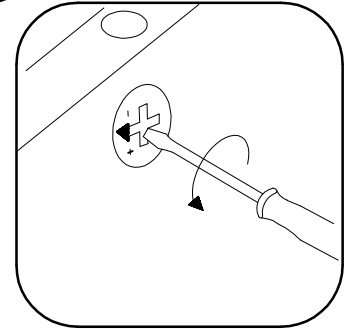
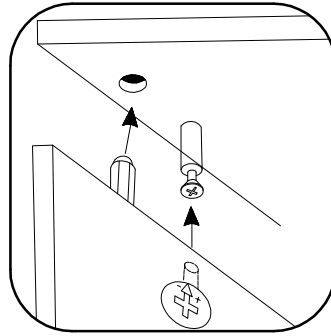
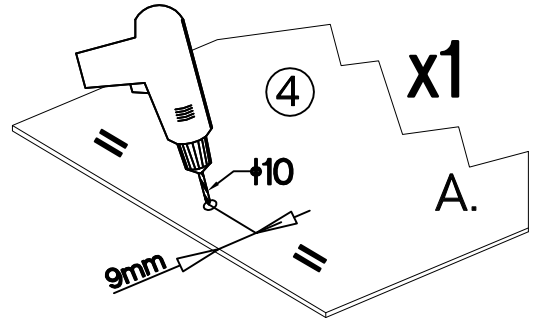
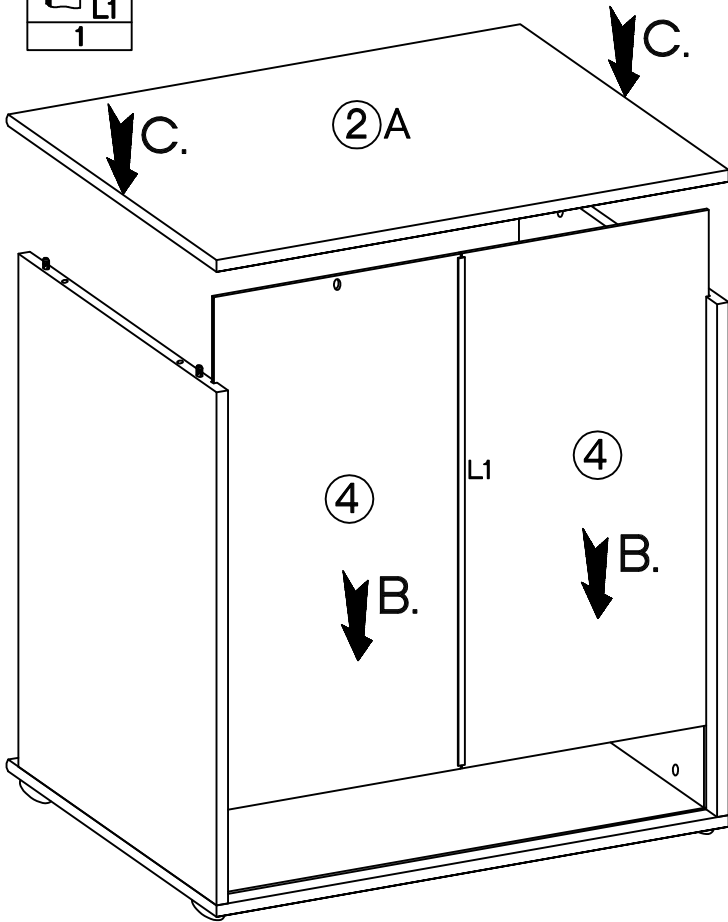
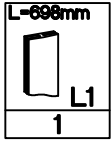
18x30mm	L=20mm	15/12mm	4.0x25mm	F10	J3
					
8	8	8	4	4	4



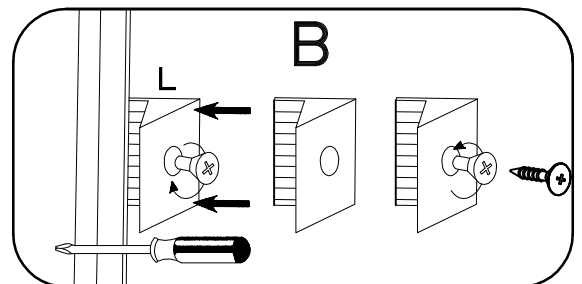
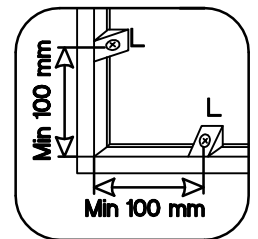
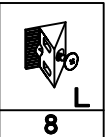
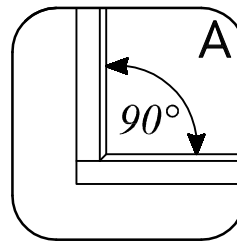
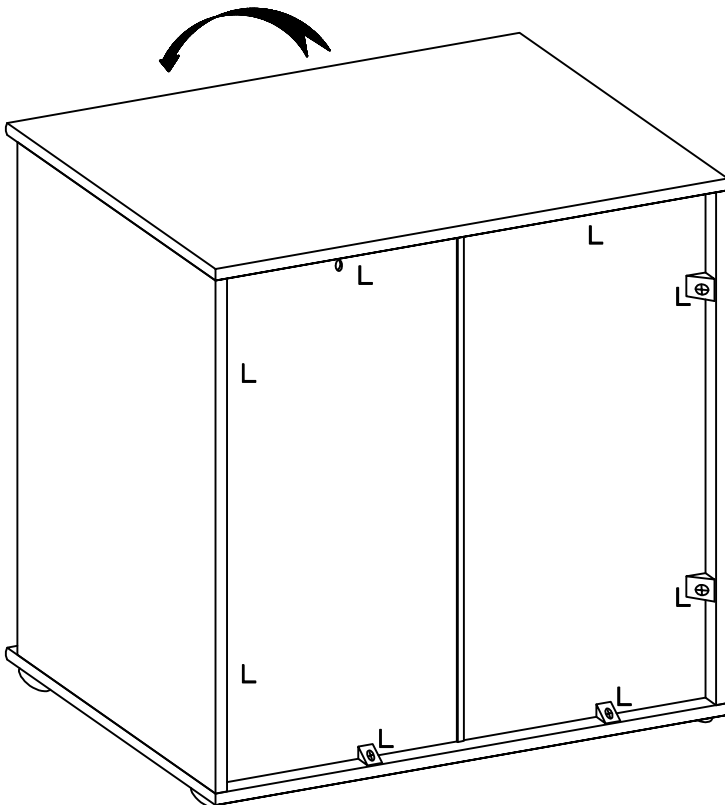
2.



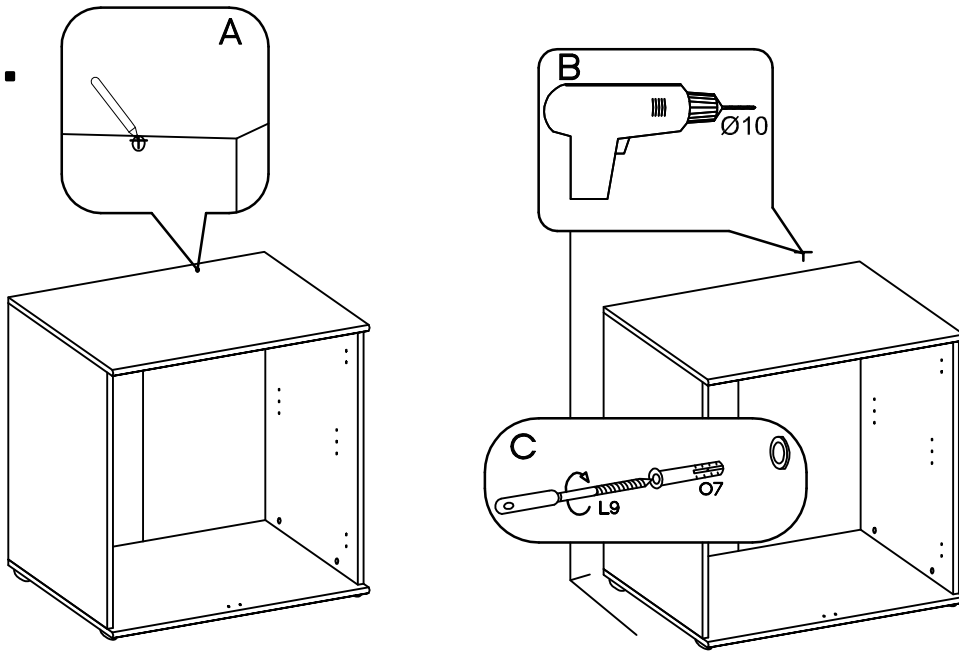
3.



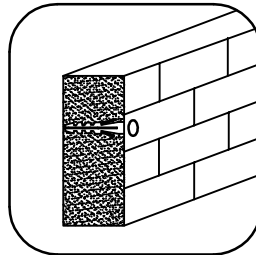
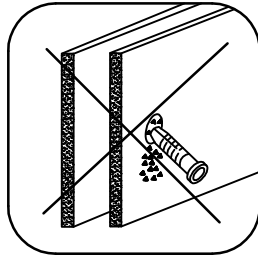
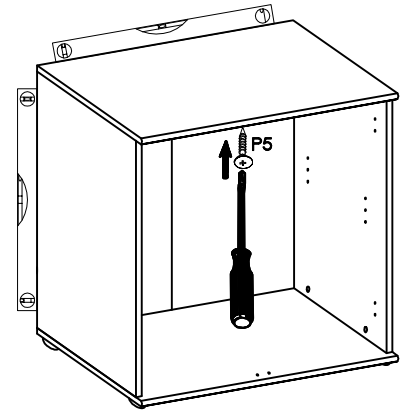
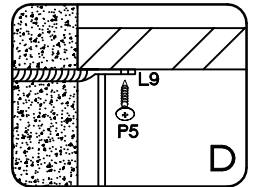
4.



5.

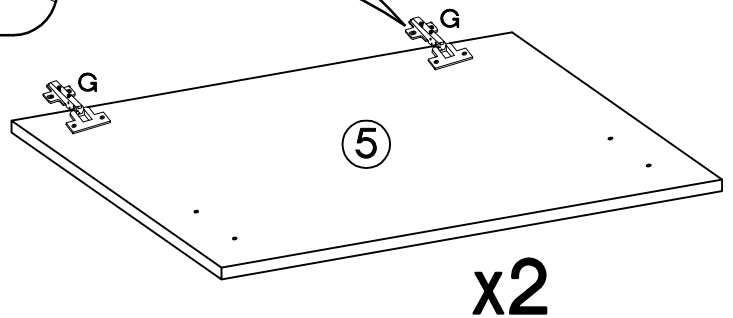
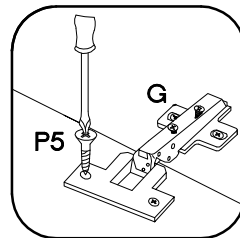
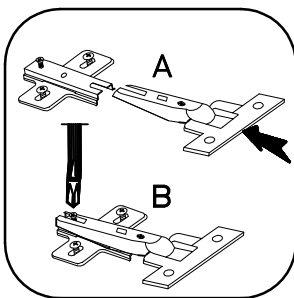


Ø10x50mm		Ø3.5x13mm
O7	L9	P5
1	1	1







6.

	Ø35/0mm	Ø3.5x13mm
H	G	P5
4	4	8



7.

			
S13	R2	J3	E
2	4	4	8

