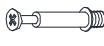

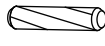



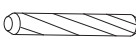





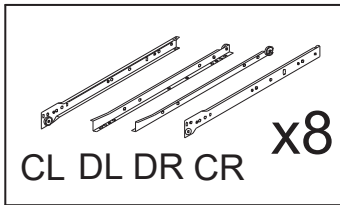


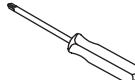
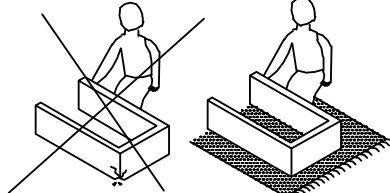
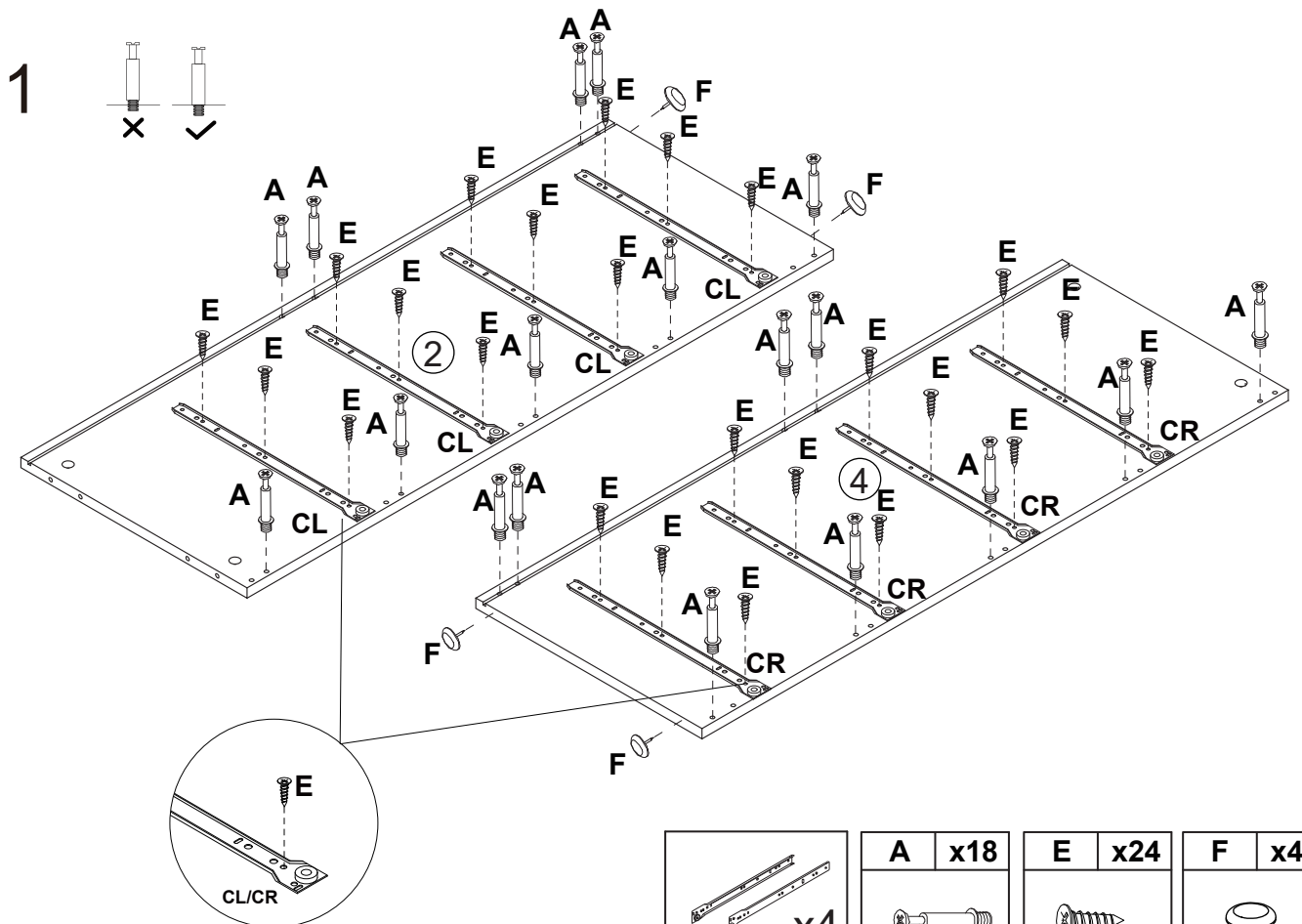
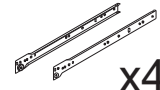
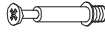




A	x74	B	x74	C	x16	D	x46	E	x96	F	x6
											
M6*35mm		φ15*10mm		M6*30mm		M4*35mm		M3.5*12mm			
G	x5	H	x2	I	x2	J	x2	K	x12	L	x12
											
M6*50mm						M4*12mm				M3*16mm	

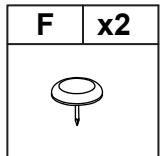
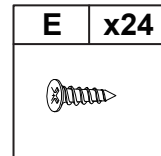
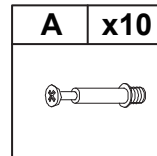
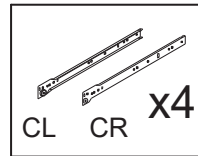
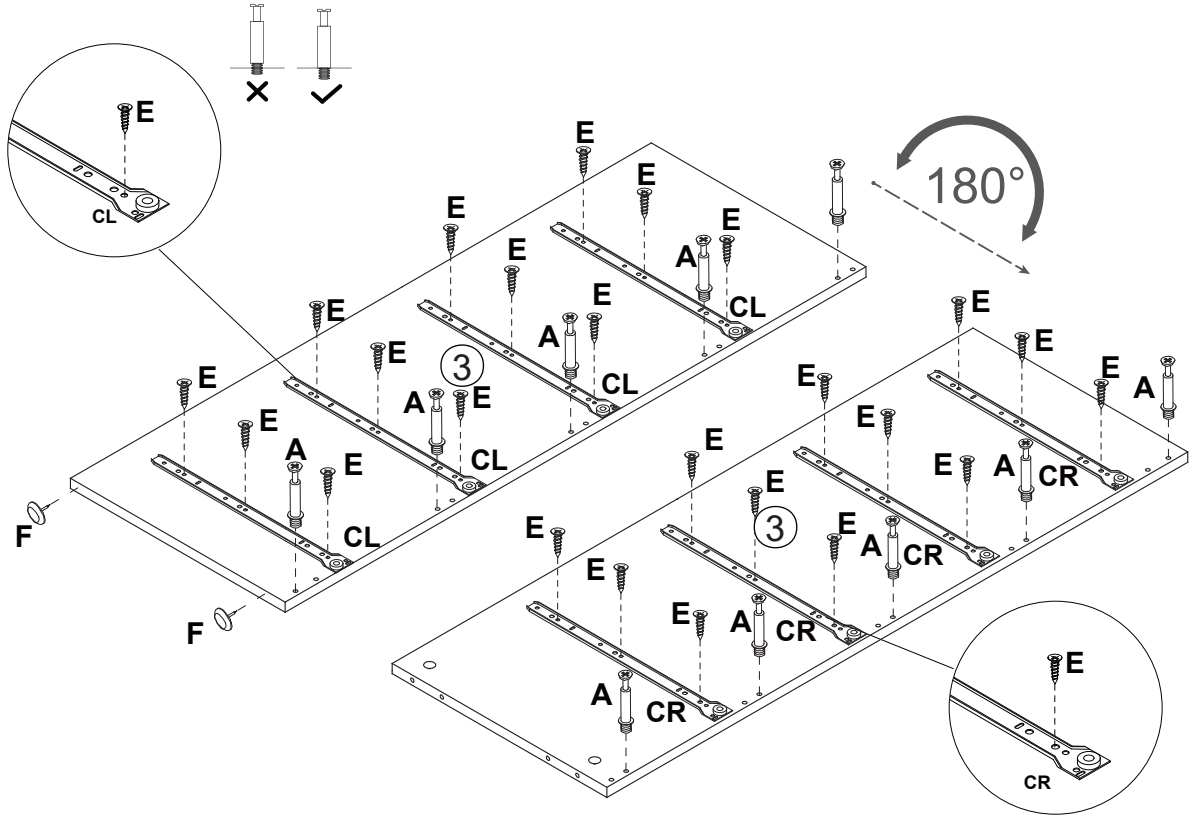


 60 MIN		 NOT PROVIDED	
--	--	--	---

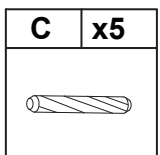
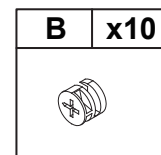
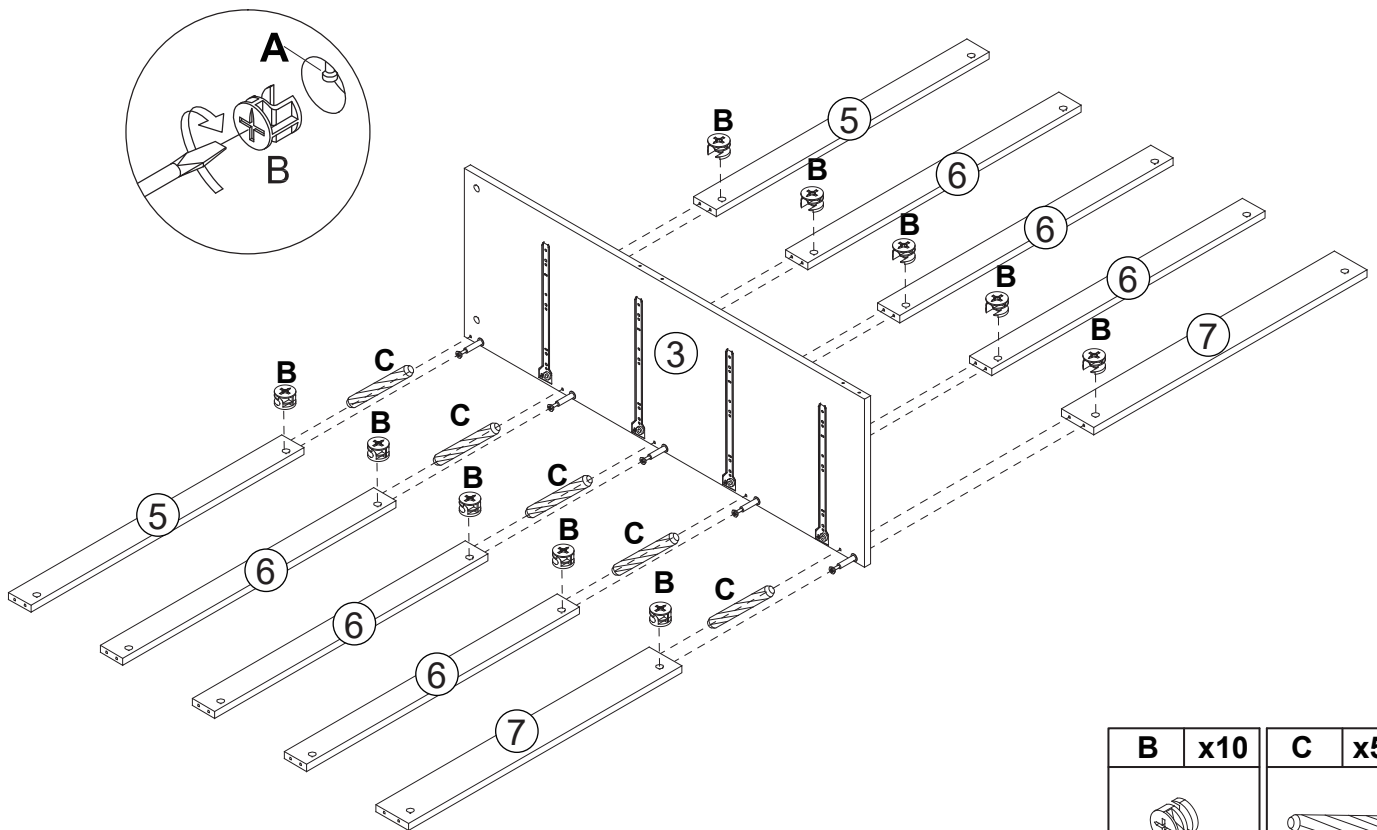


 CL CR x4	A x18	E x24	F x4
			

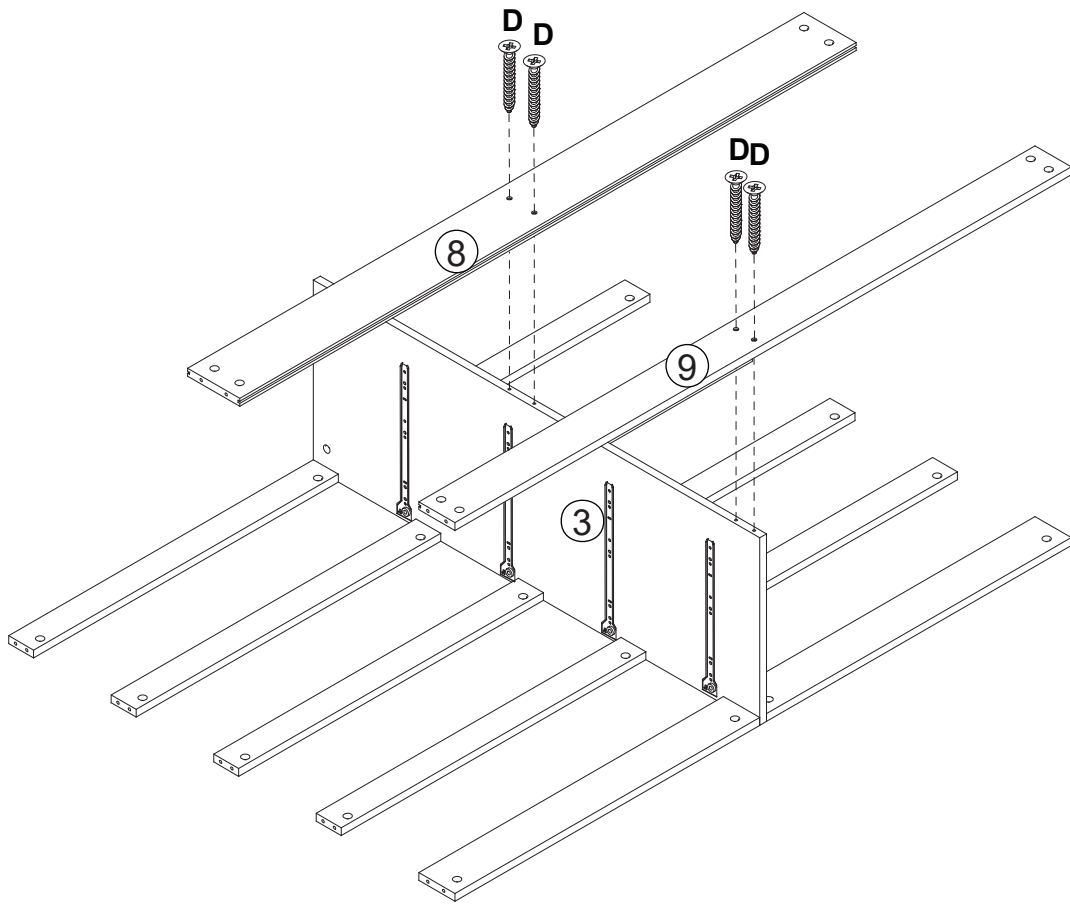
2




3

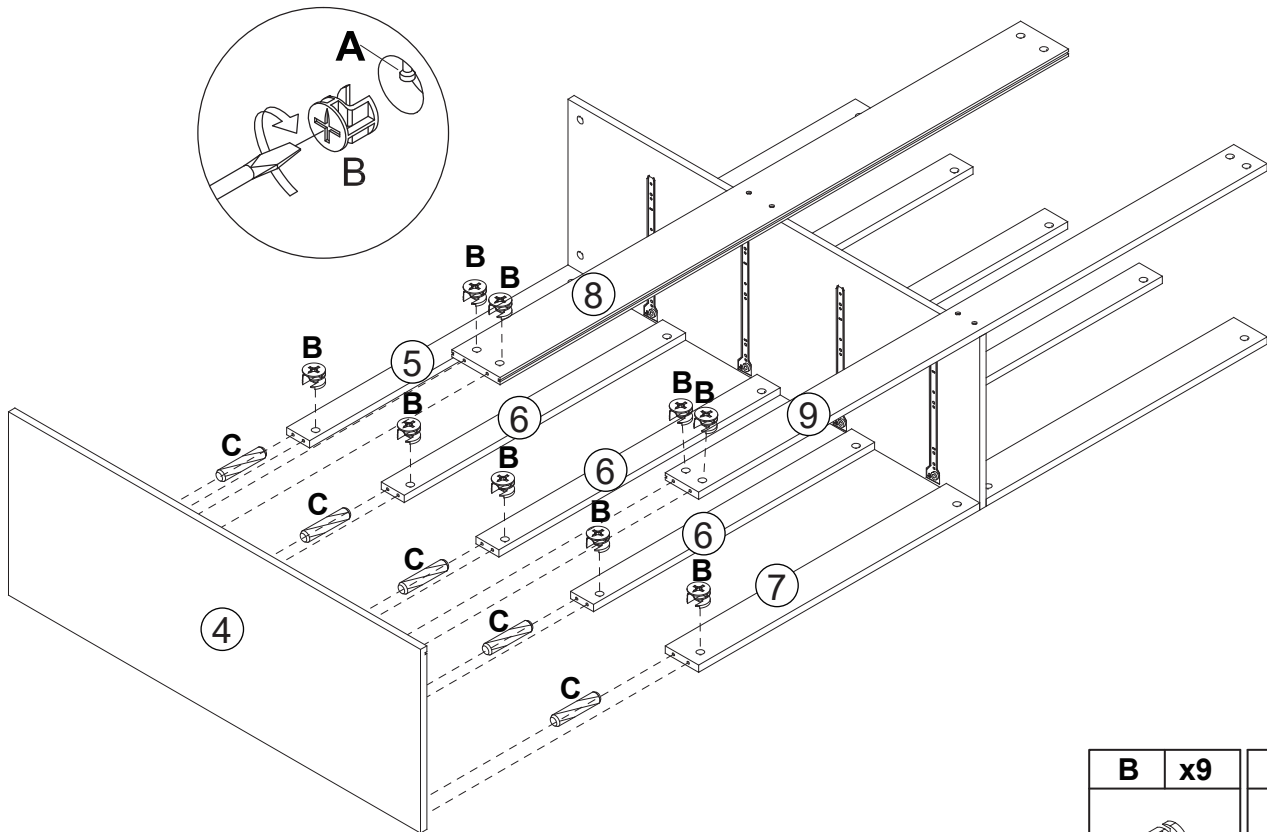



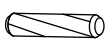
4



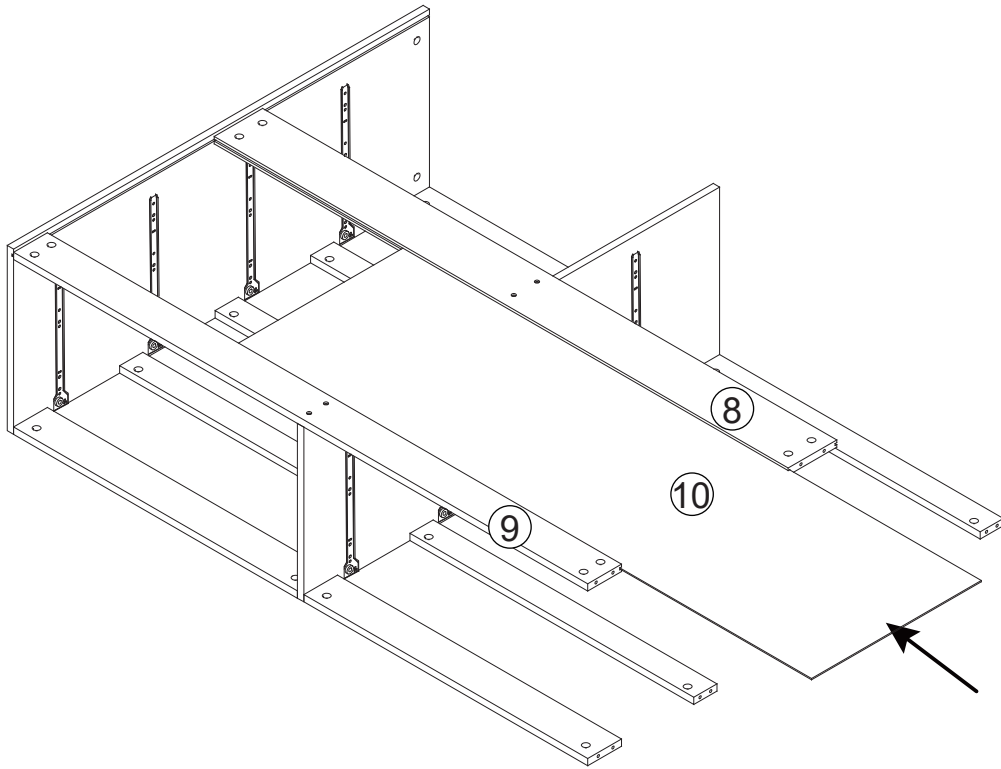
D	x4
	

5

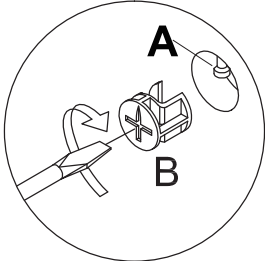
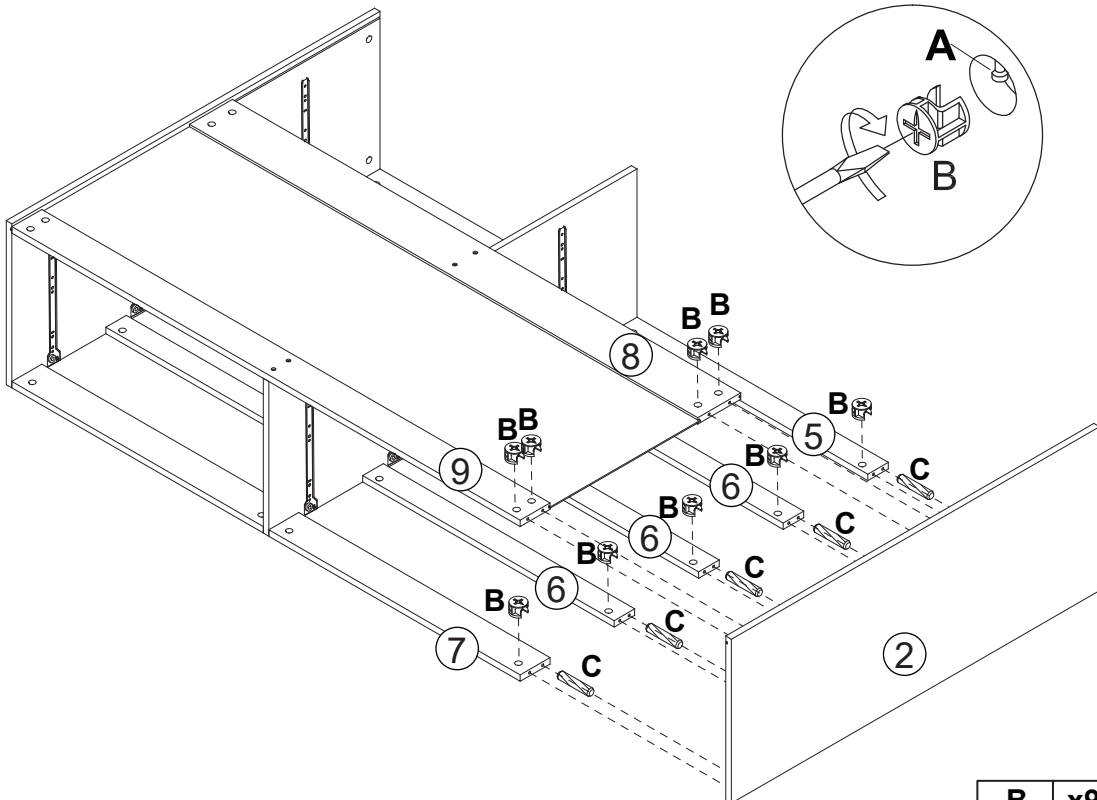


B	x9	C	x5
			

6

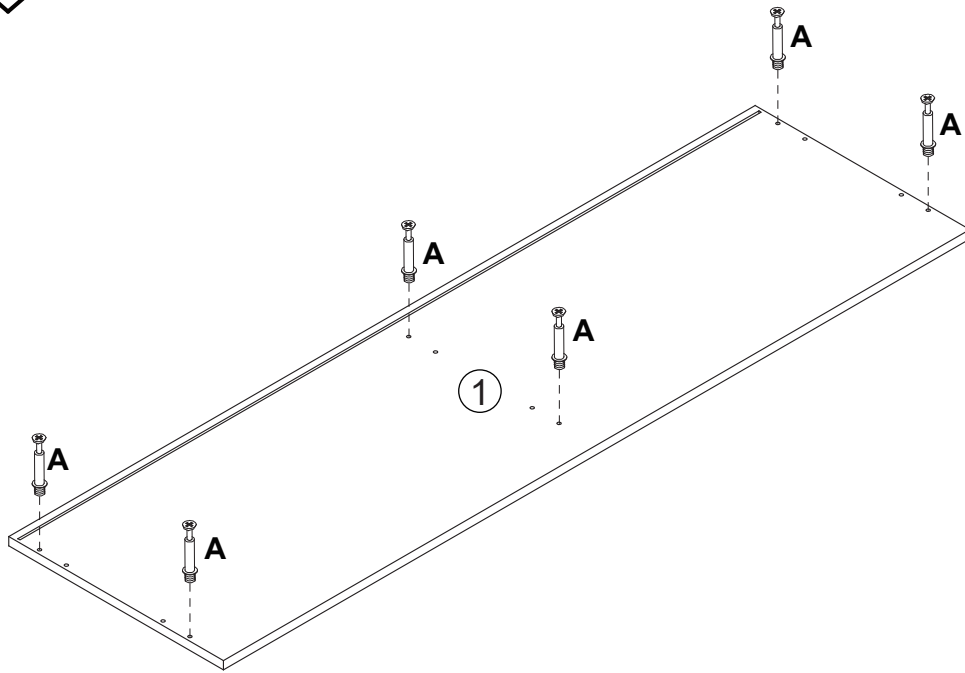
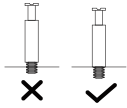


7



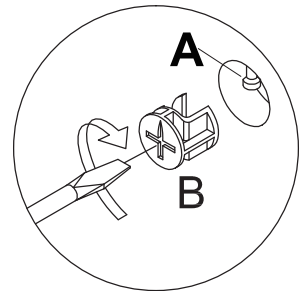
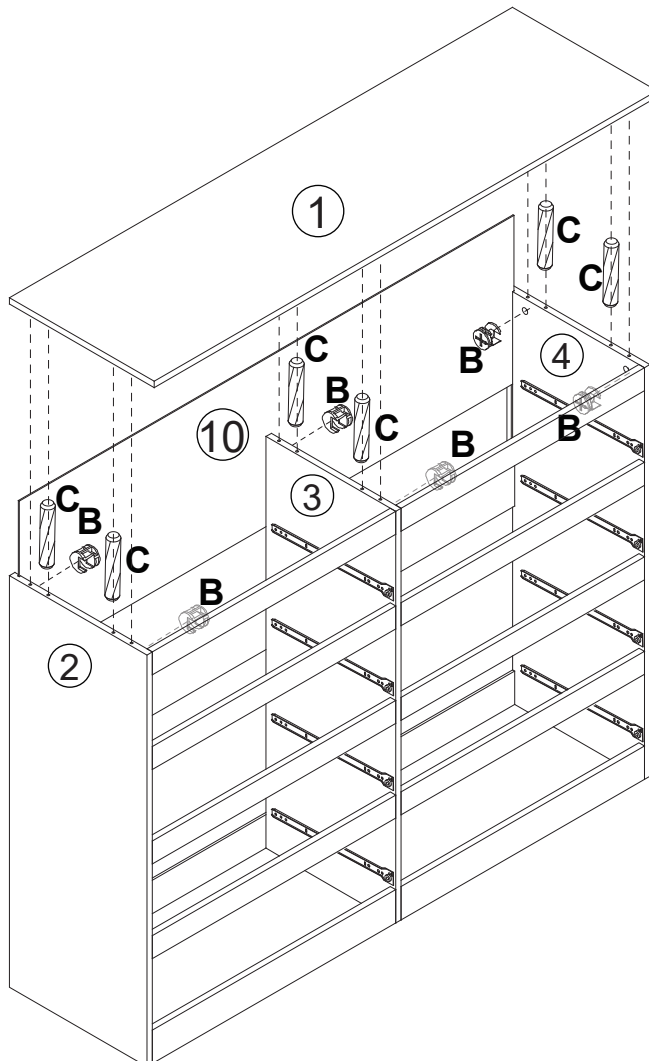
B	x9	C	x5

8



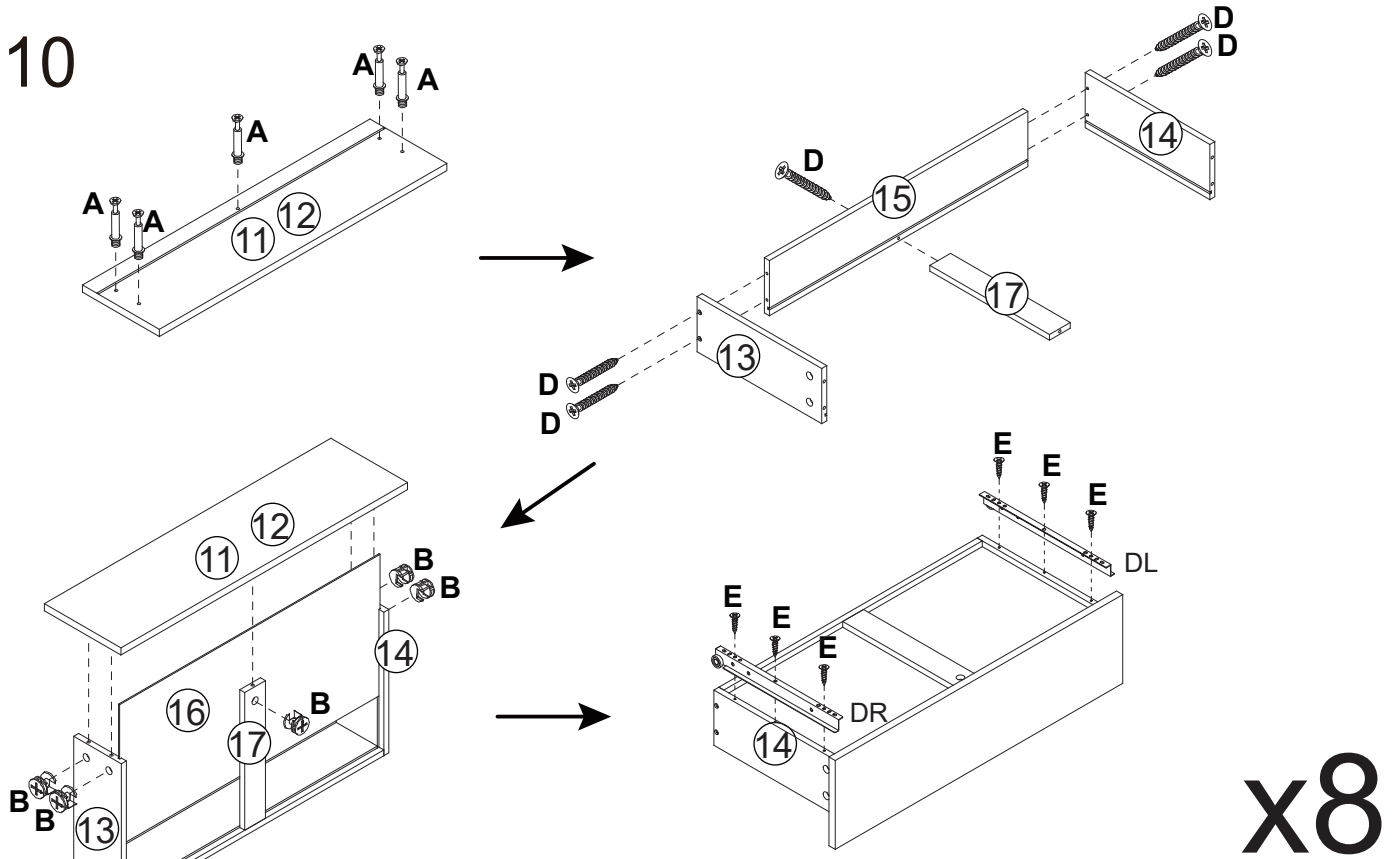
A	x6

9

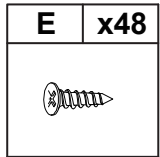
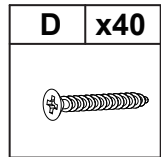
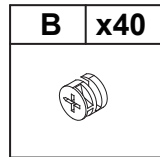
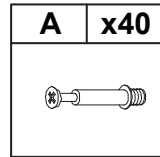
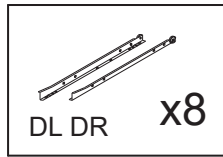


B	x6	C	x6

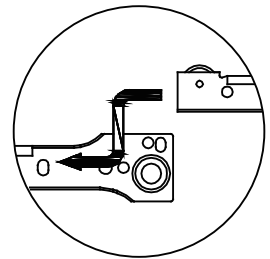
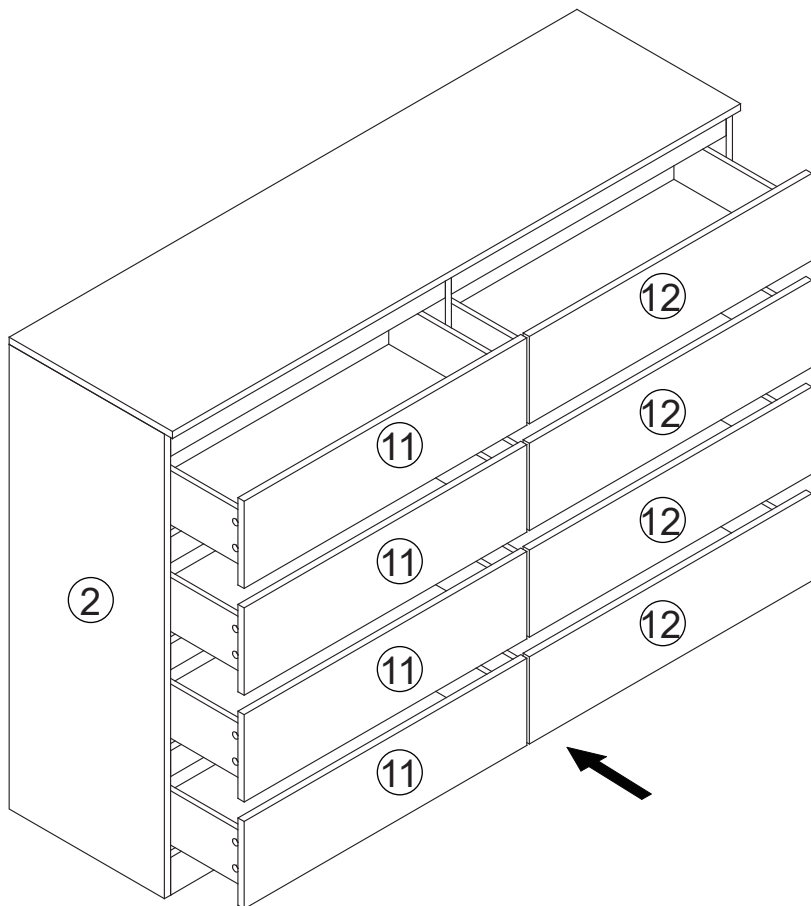
10



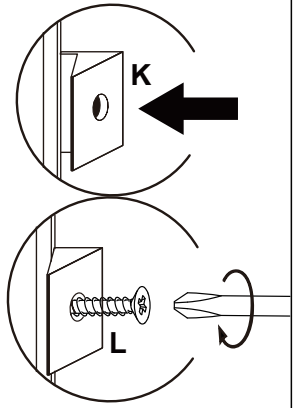
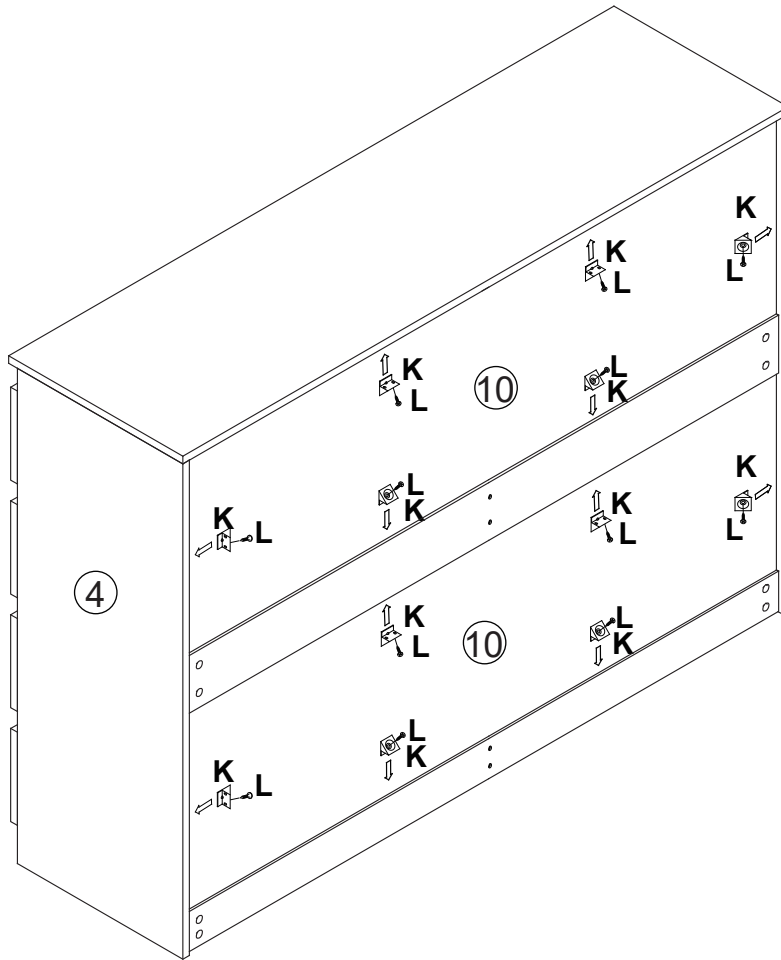
x8





11

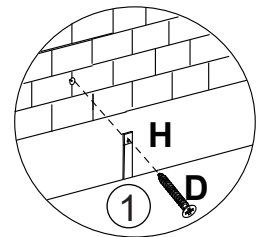
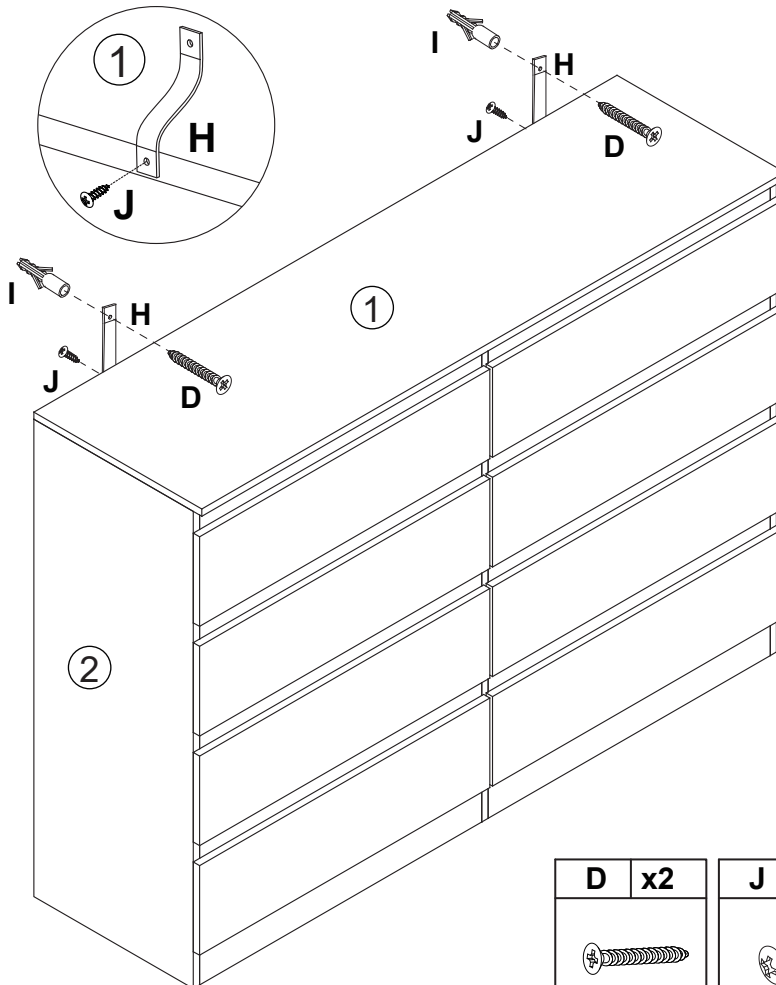


12



K	x12	L	x12
			

13



D	x2	J	x2	H	x2	I	x2
