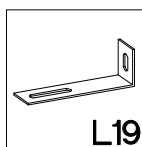
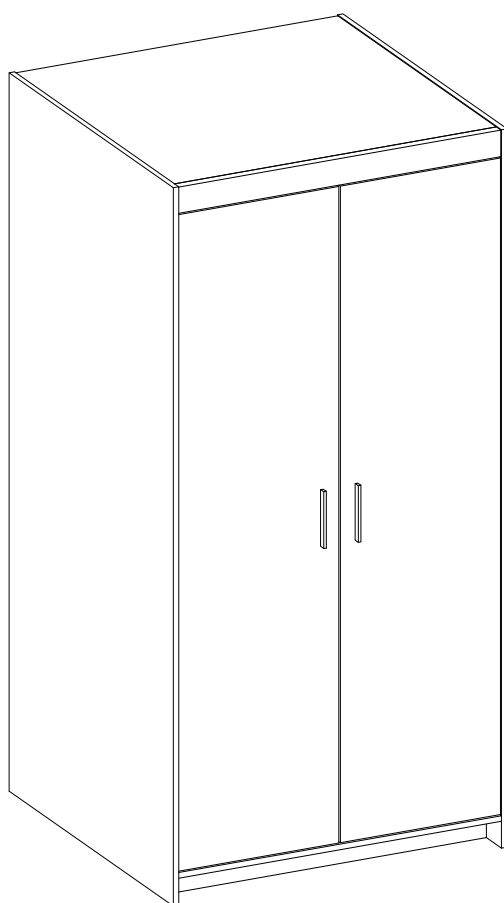
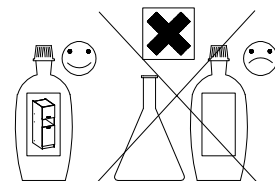


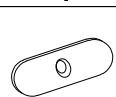
120 min

# ELENA 2D



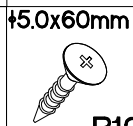
L19

1



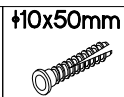
L2

14



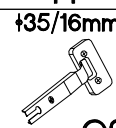
P12

1



O7

1



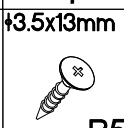
G2

6



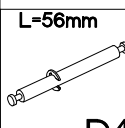
H

6



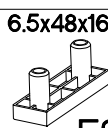
P5

16



D4

2



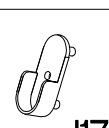
F2

4



J2

1



J17

2



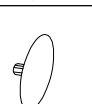
J3

12



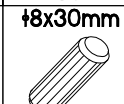
C

20



E

20



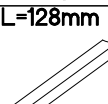
A

42



D2

16



S

2



R2

4



P7

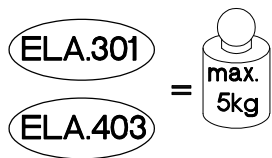
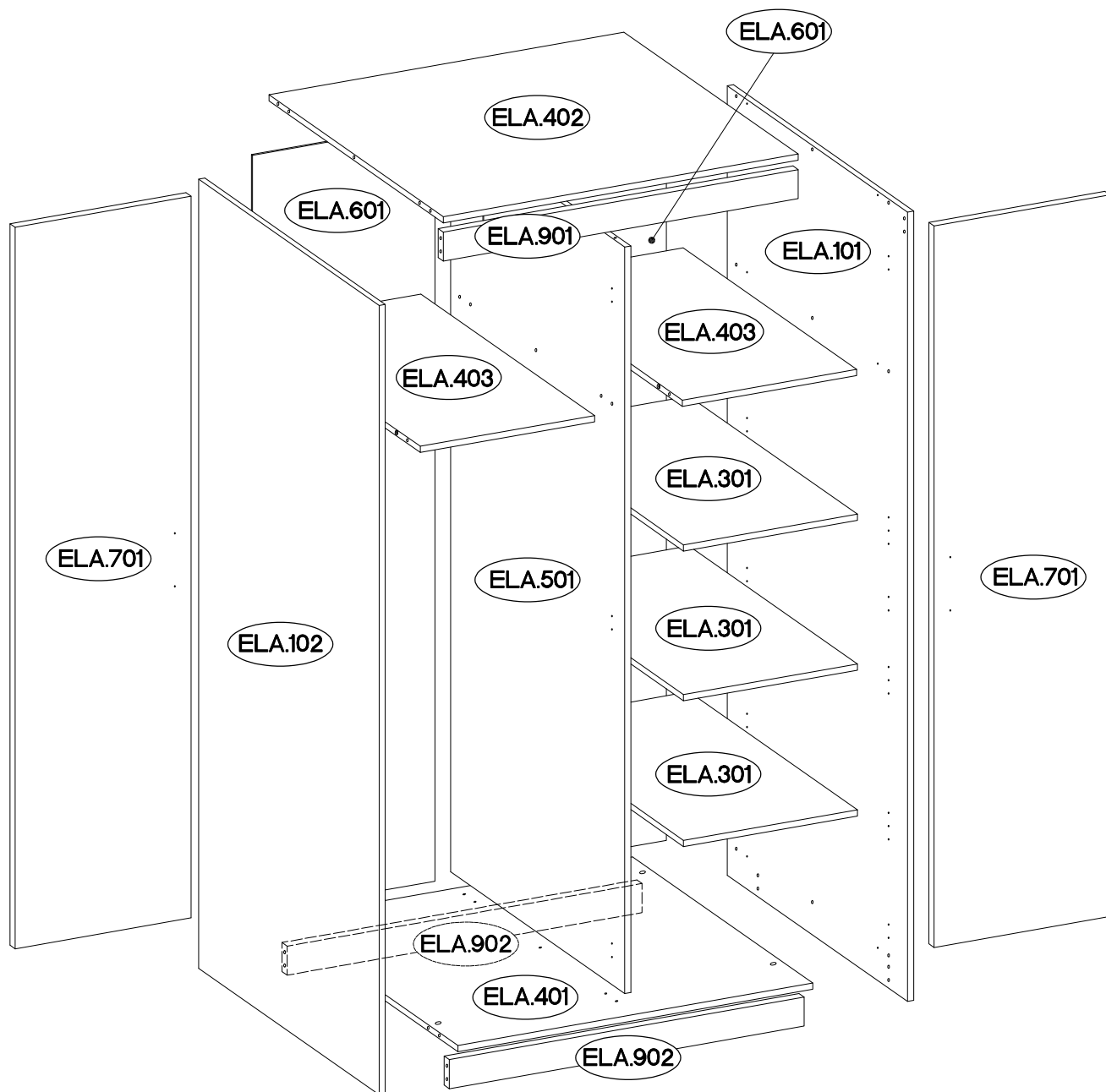
57



F4

2

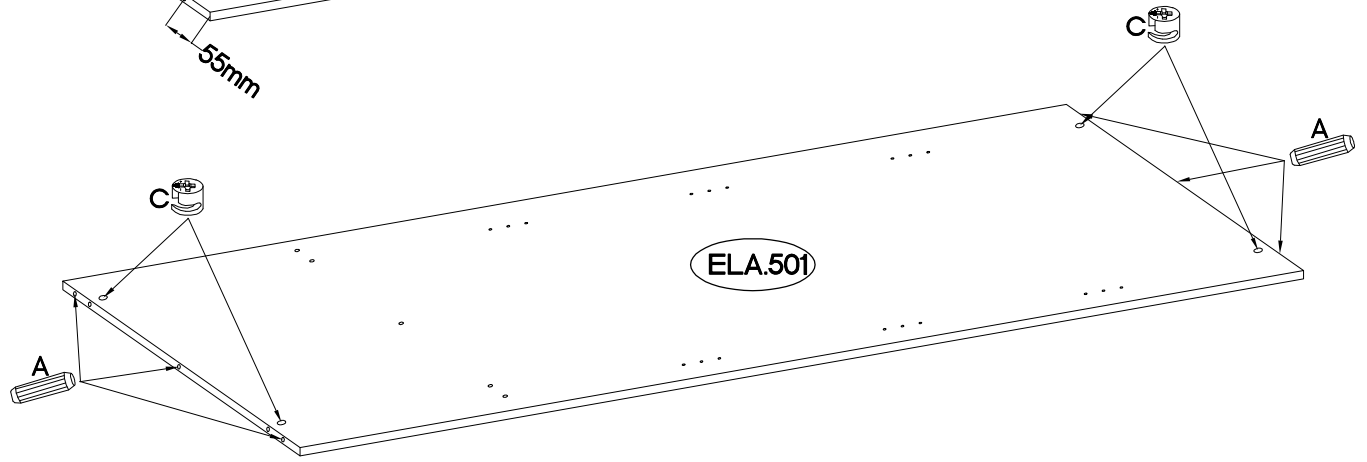
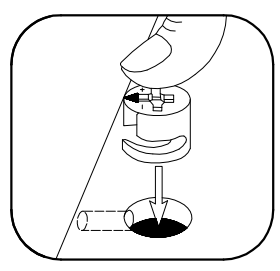
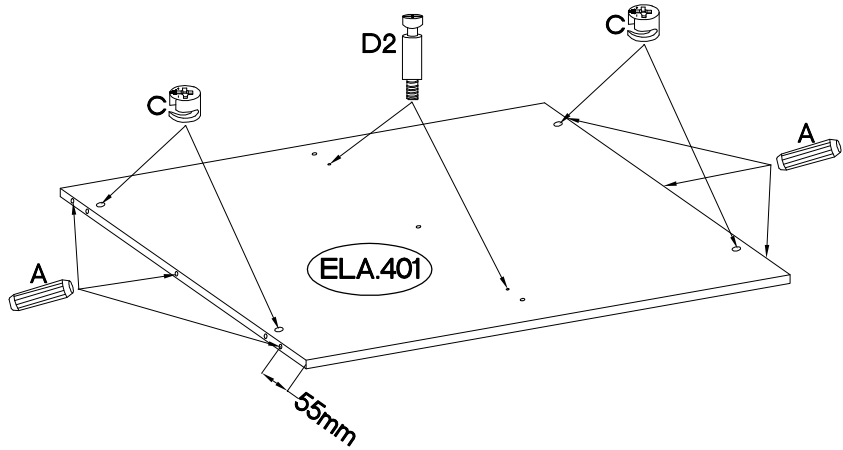
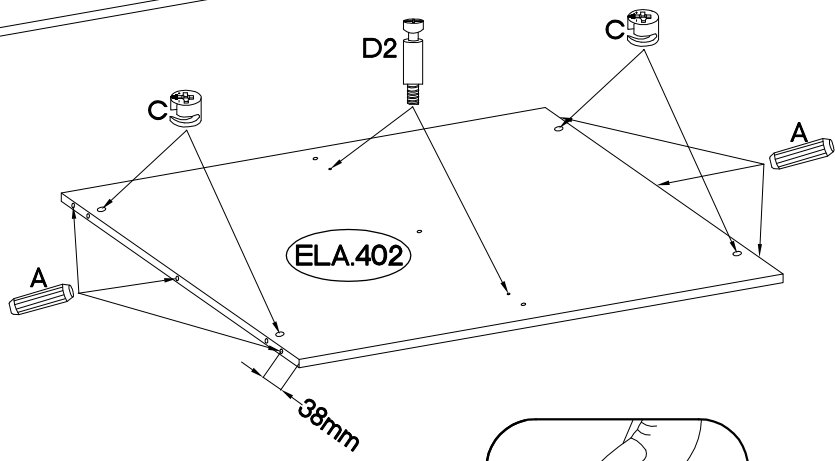
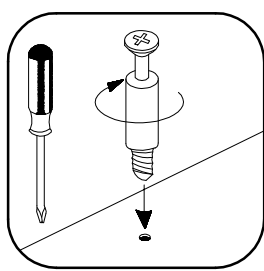
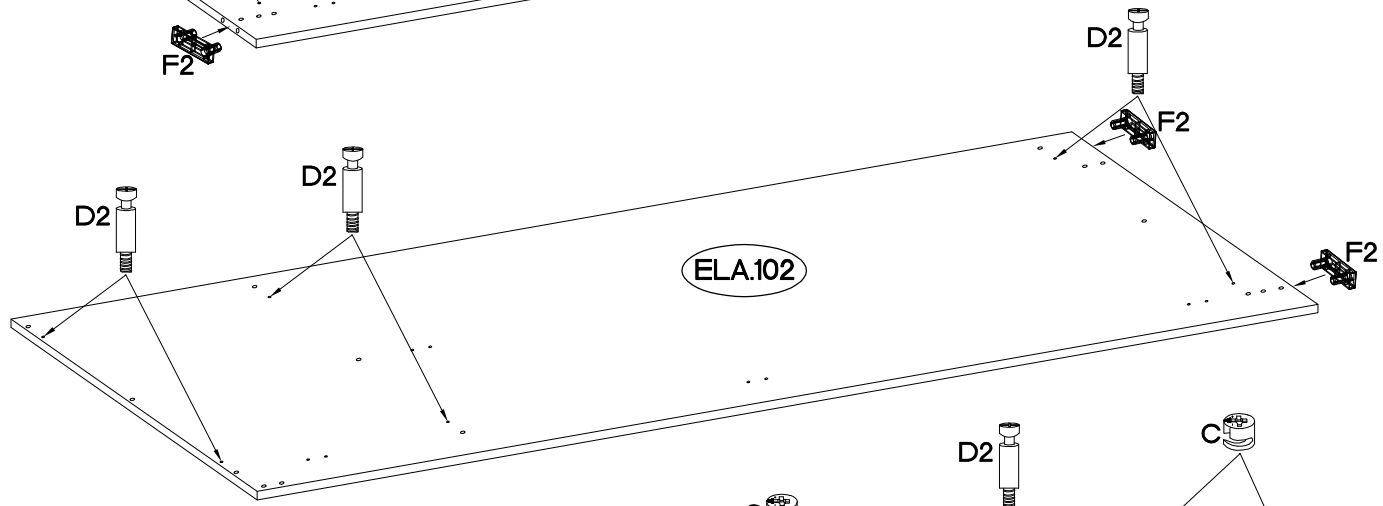
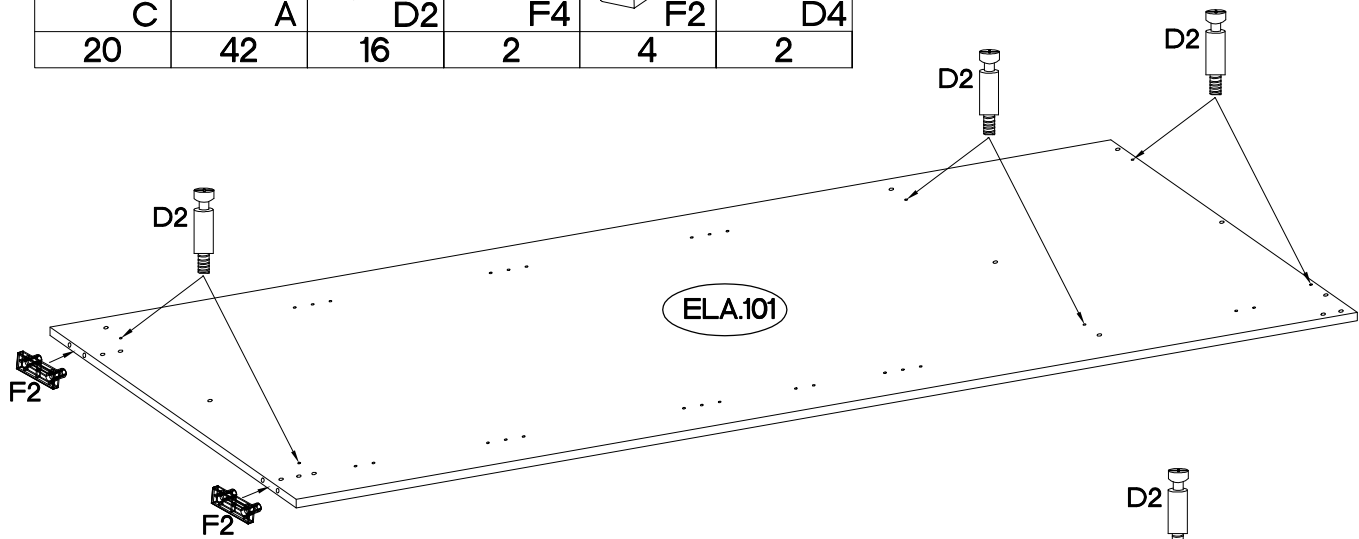
P-ISM-ELA-11

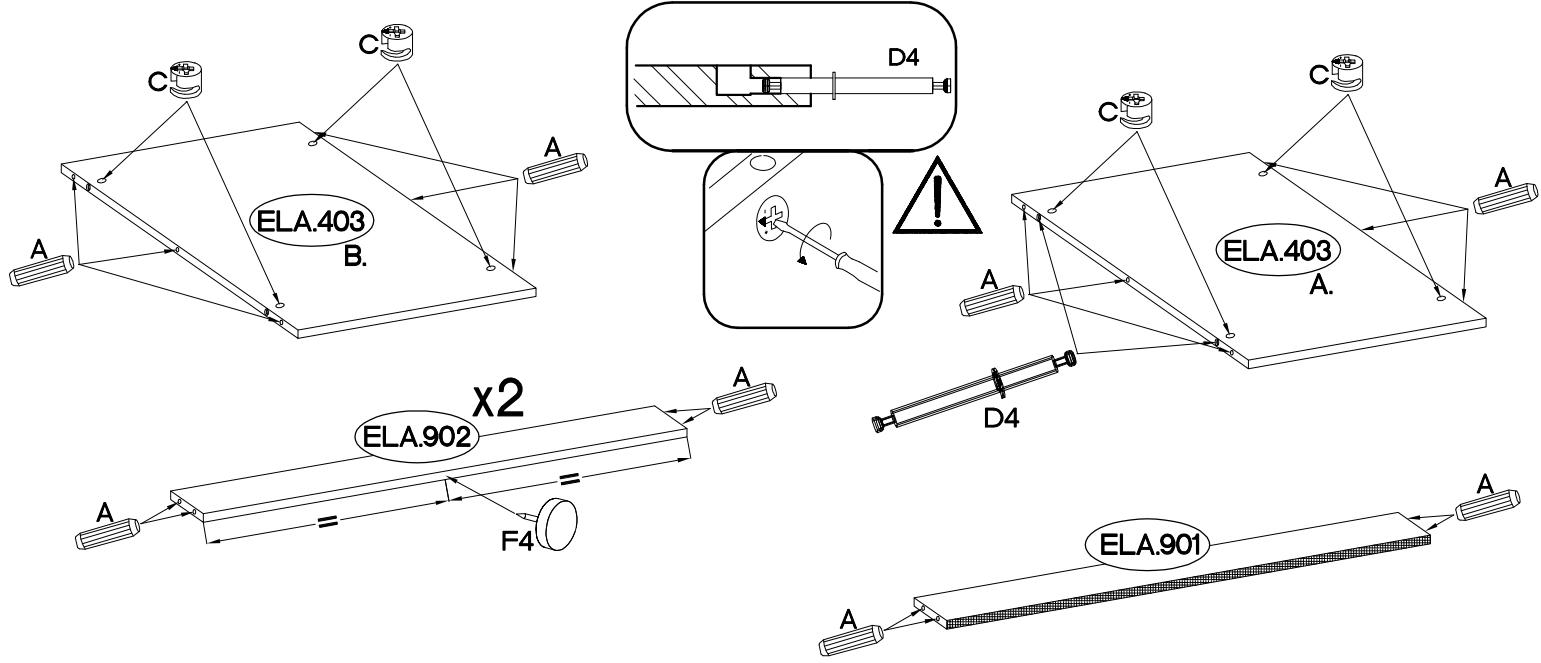


Colli	Ersatzteil Nummer	Dimension
Colli 1/2	ELA.102	1900x530x15
	ELA.301 x3	425x495x15
	ELA.401	867x529x15
	ELA.402	867x512x15
	ELA.403 x2	426x510x15
	ELA.901	867x70x15
	ELA.902 x2	867x70x15

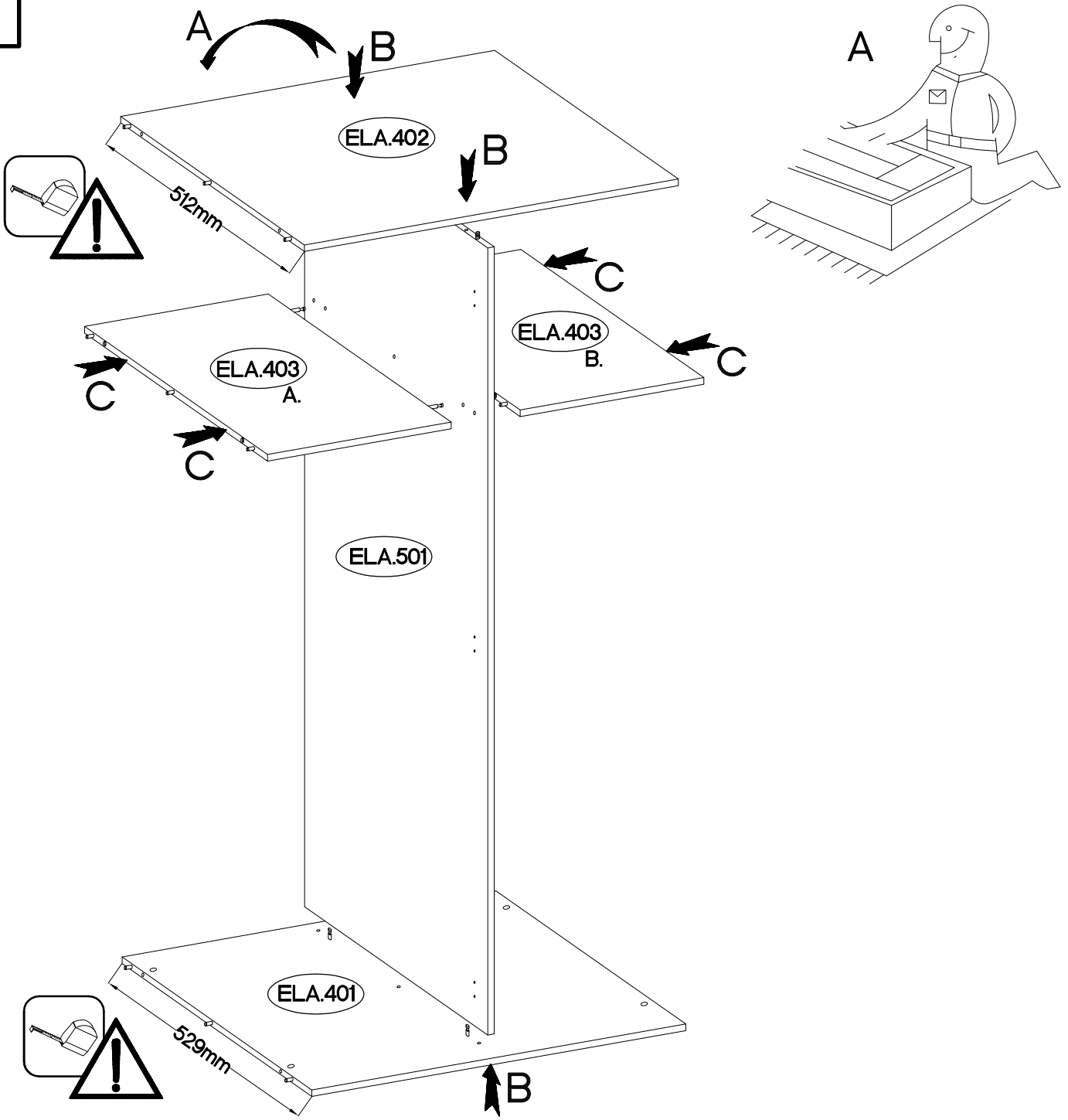
Colli	Ersatzteil Nummer	Dimension
Colli 2/2	ELA.101	1900x530x15
	ELA.501	1797x511x15
	ELA.601 x2	1825x446x2,5
	ELA.701 x2	1737x430x15

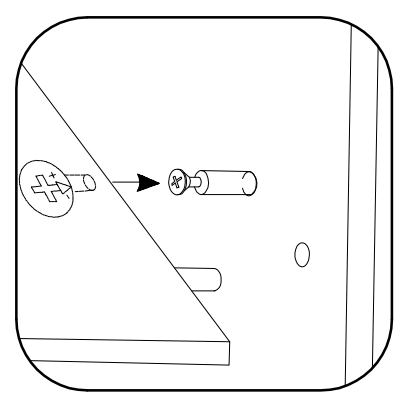
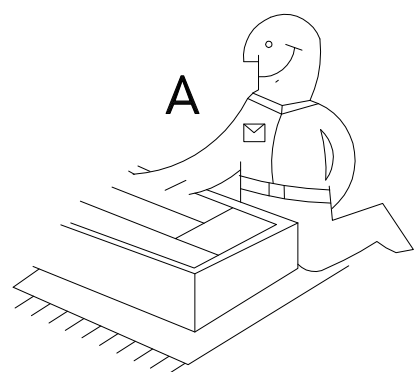
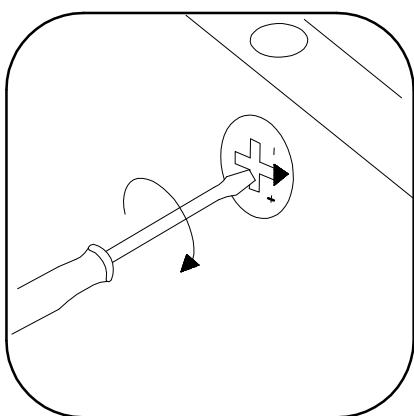
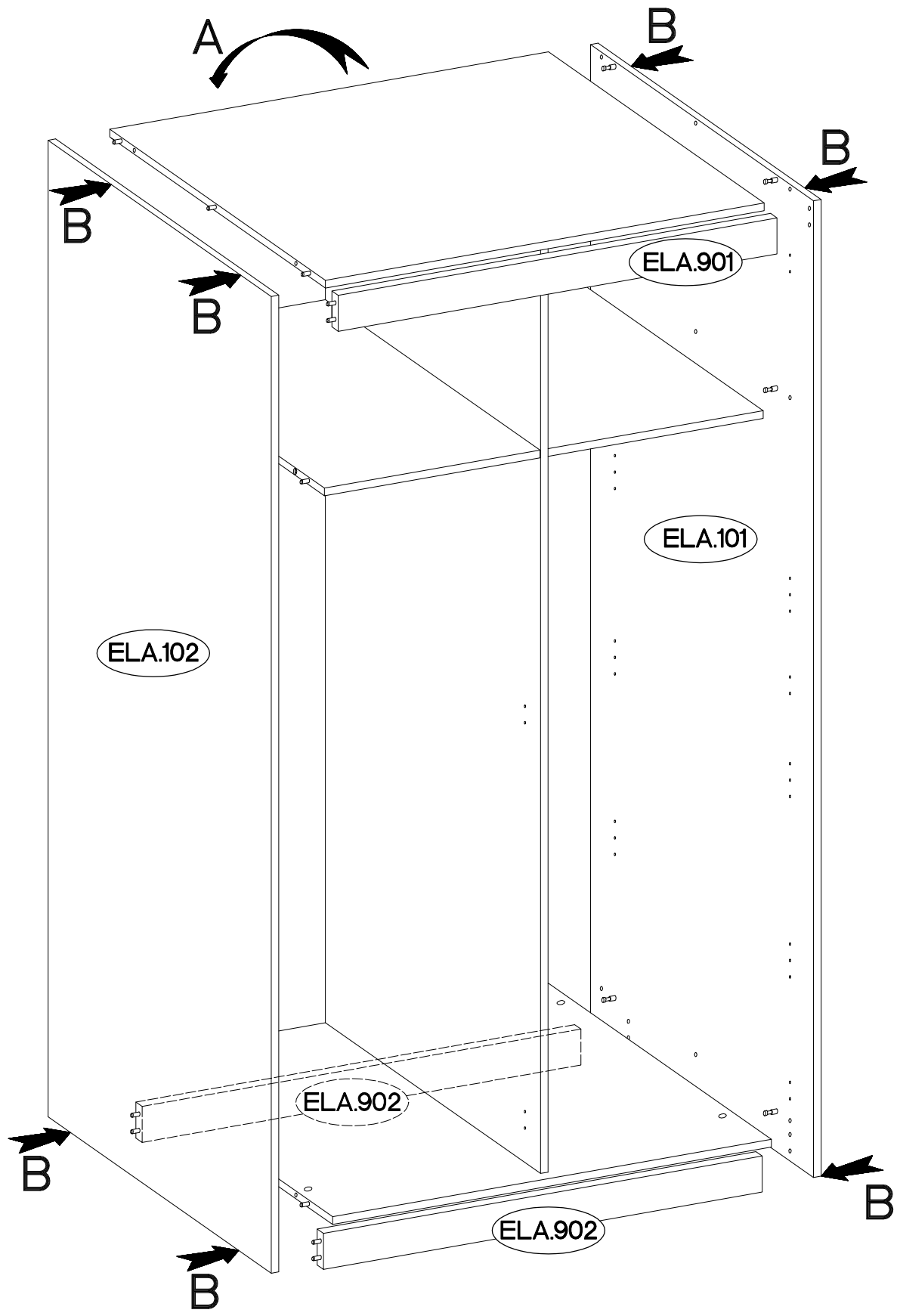
∅5/12mm	∅8x30mm	L=20mm	∅15x5mm	6.5x48x16	L=56mm
C	A	D2	F4	F2	D4
20	42	16	2	4	2

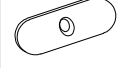


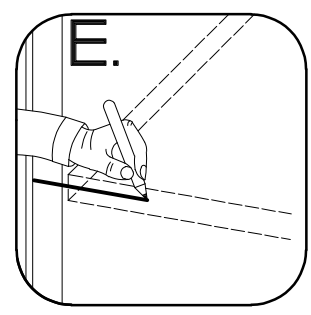
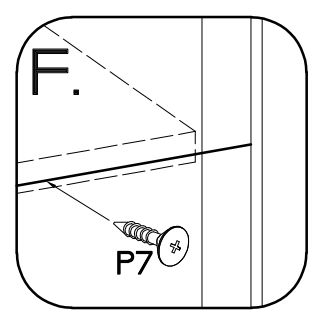
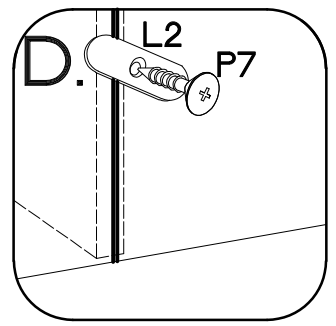
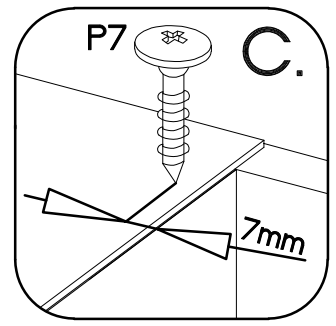
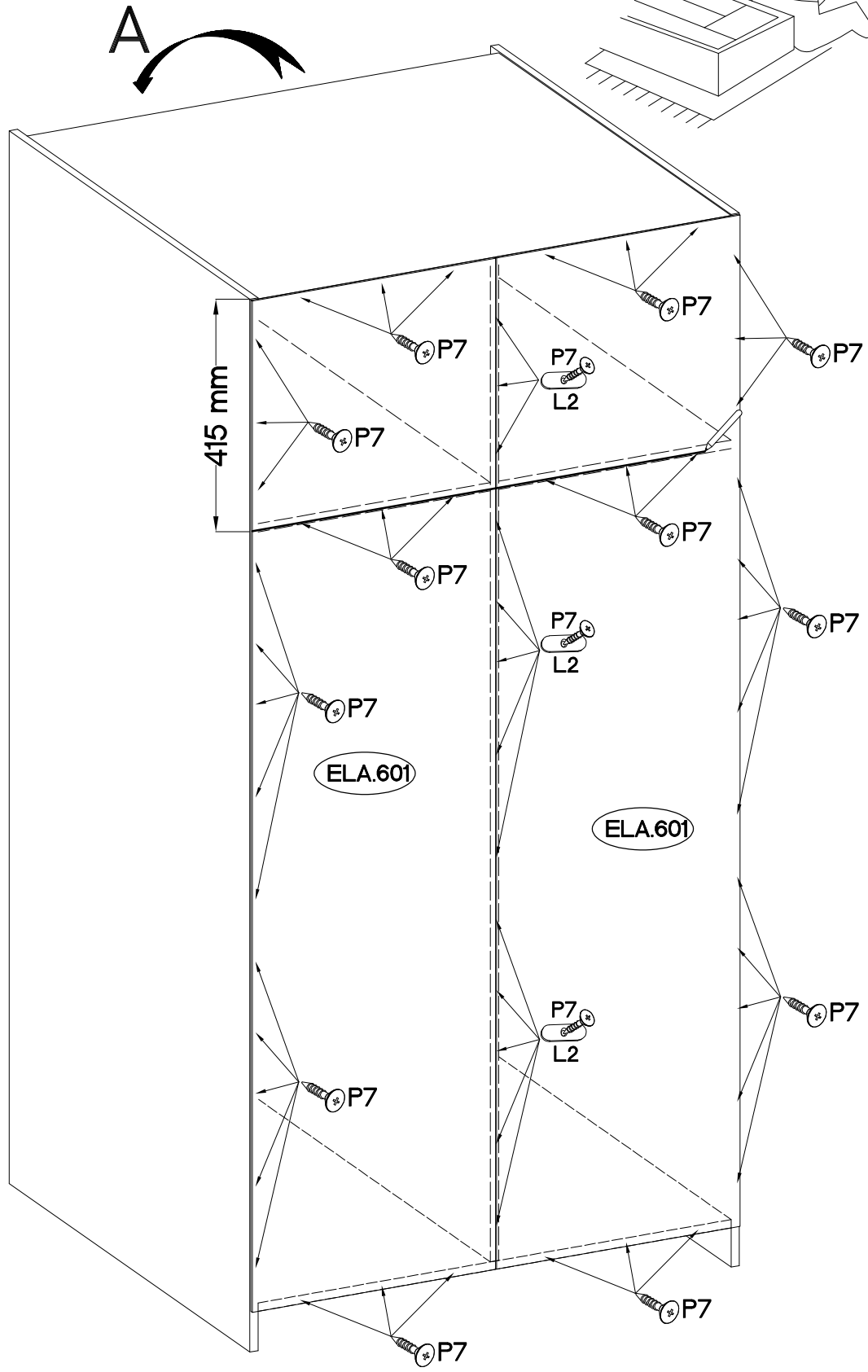
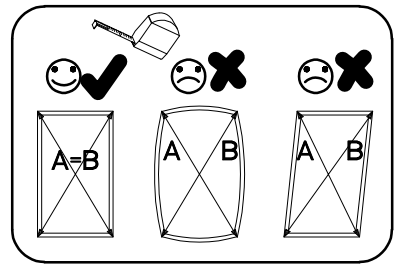
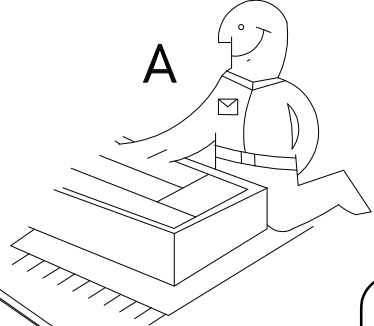


2

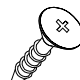


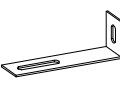


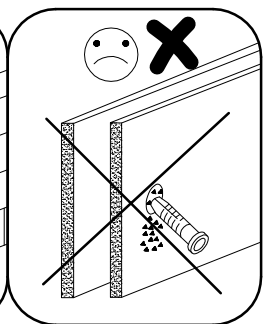
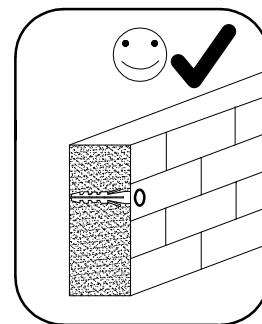
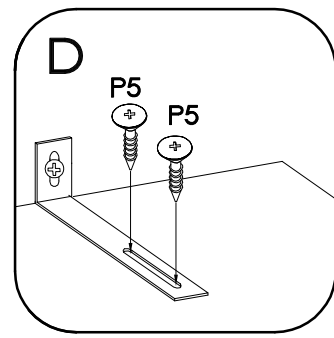
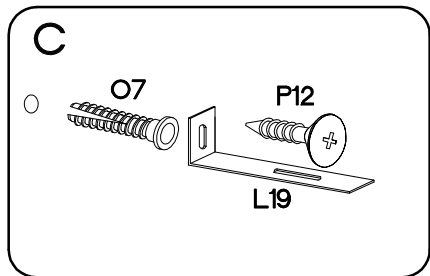
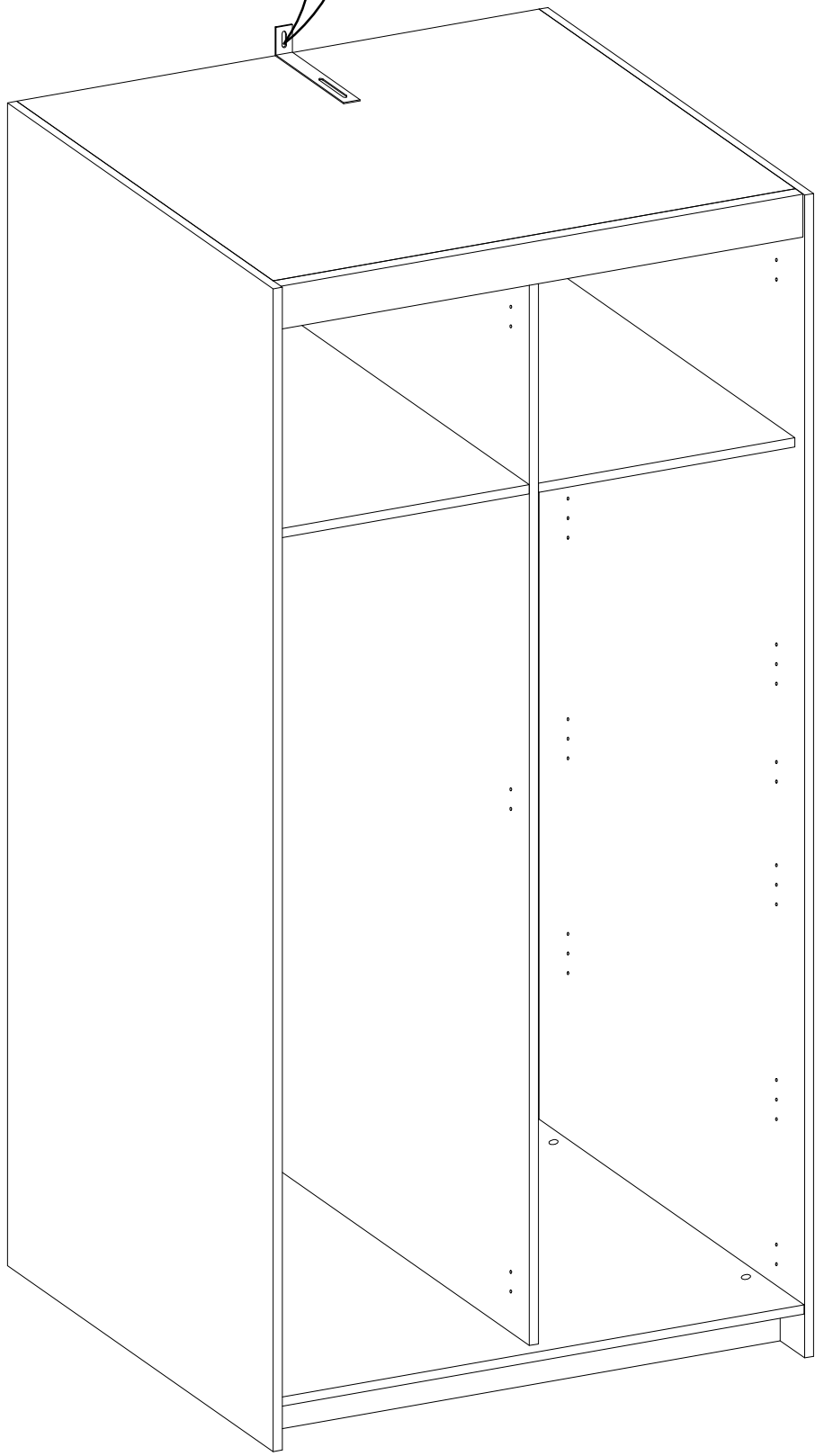
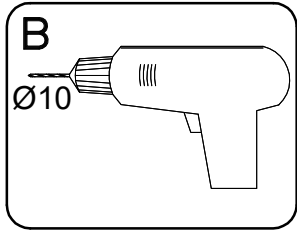
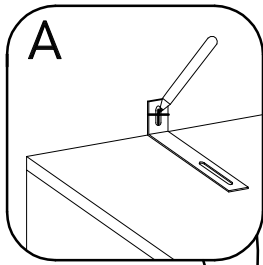


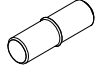

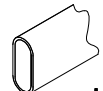


	#3.0x20mm
L2	P7
14	57

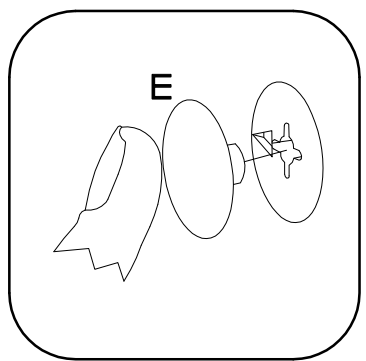
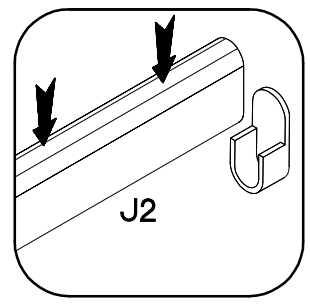
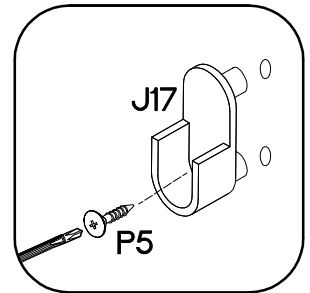
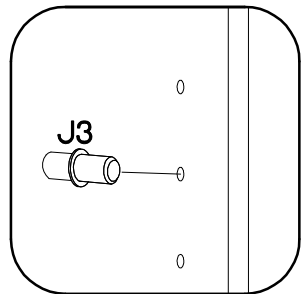
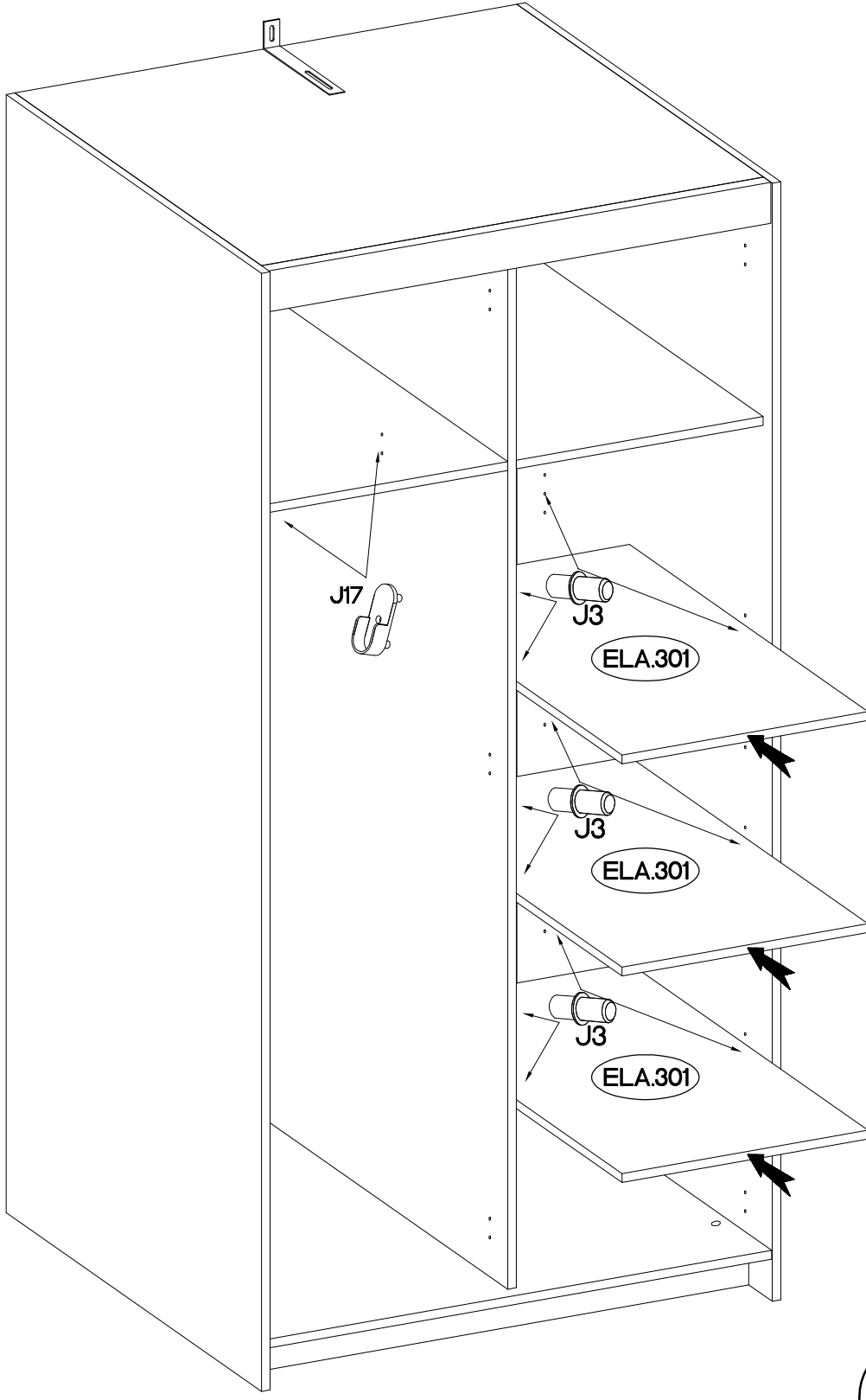


5

↑5.0x60mm  P12 1	↑10x50mm  O7 1	↑3.5x13mm  P5 2	 L19 1
---	---	--	--

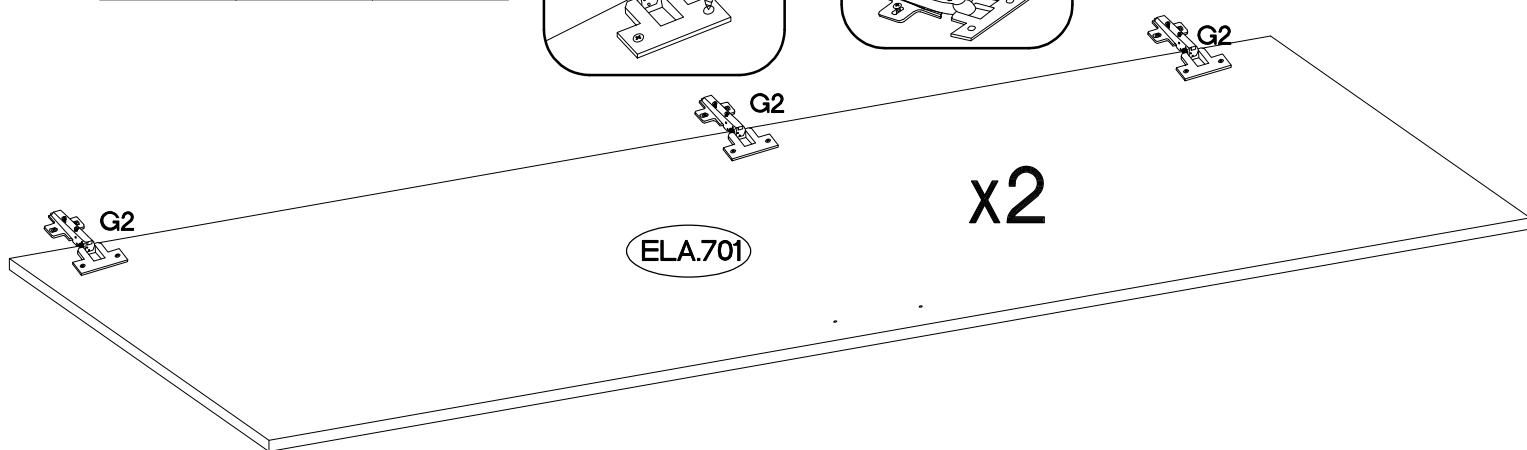
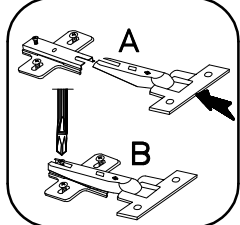
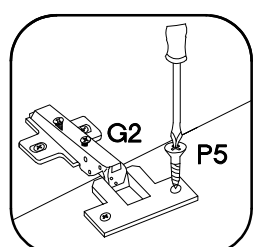


 <b>J3</b> 12	 <b>E</b> 20	 <b>J2</b> 1	 <b>J17</b> 2	 <b>P5</b> 2
---	--	--	---	--

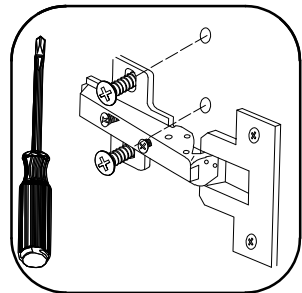


7

±35/16mm	H=0	±3.5x13mm
G2	H	P5
6	6	12



8



L=128mm	±4.0x30mm
S	R2
2	4

