

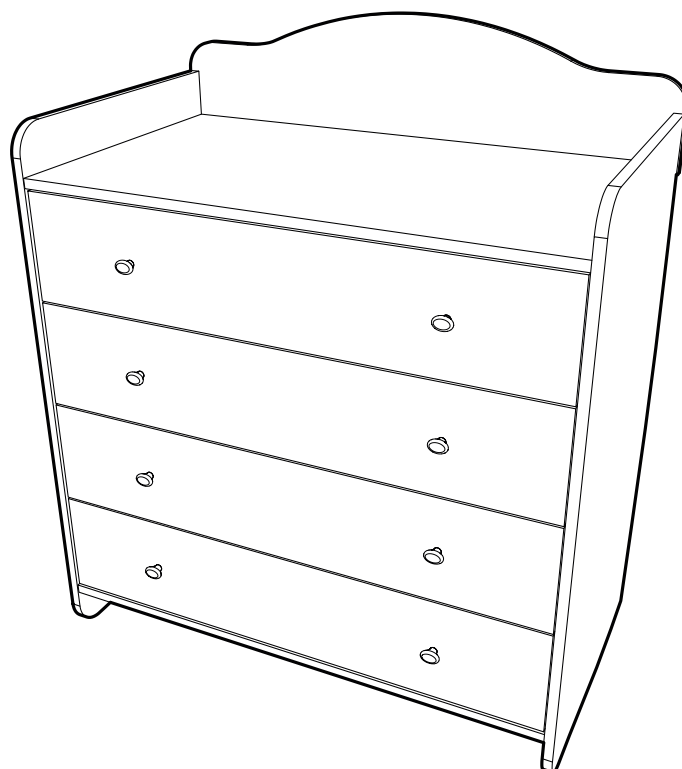
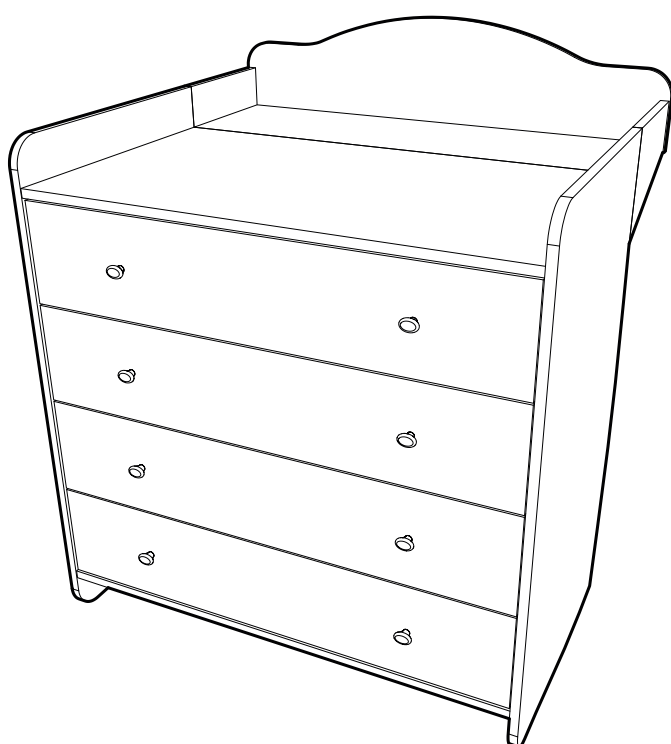
# MEGEVE

VOX

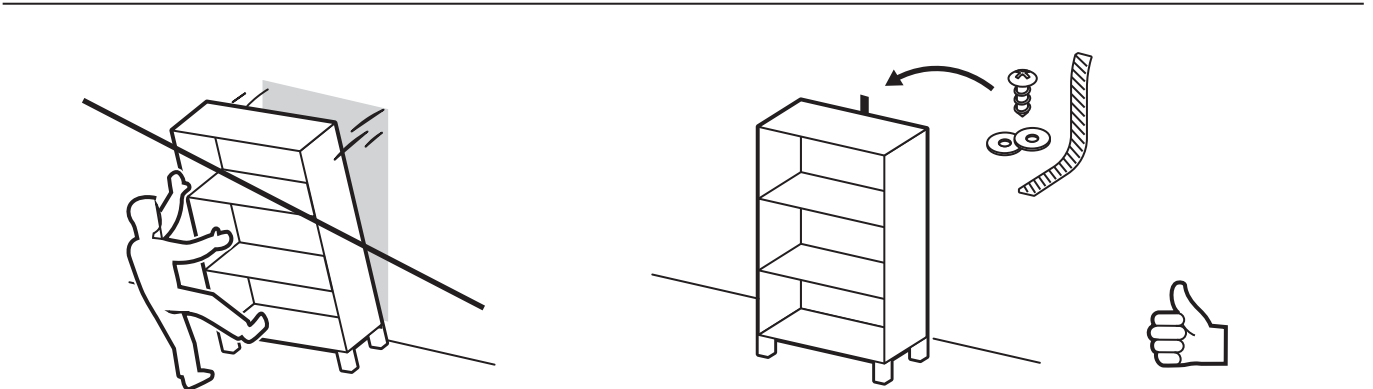
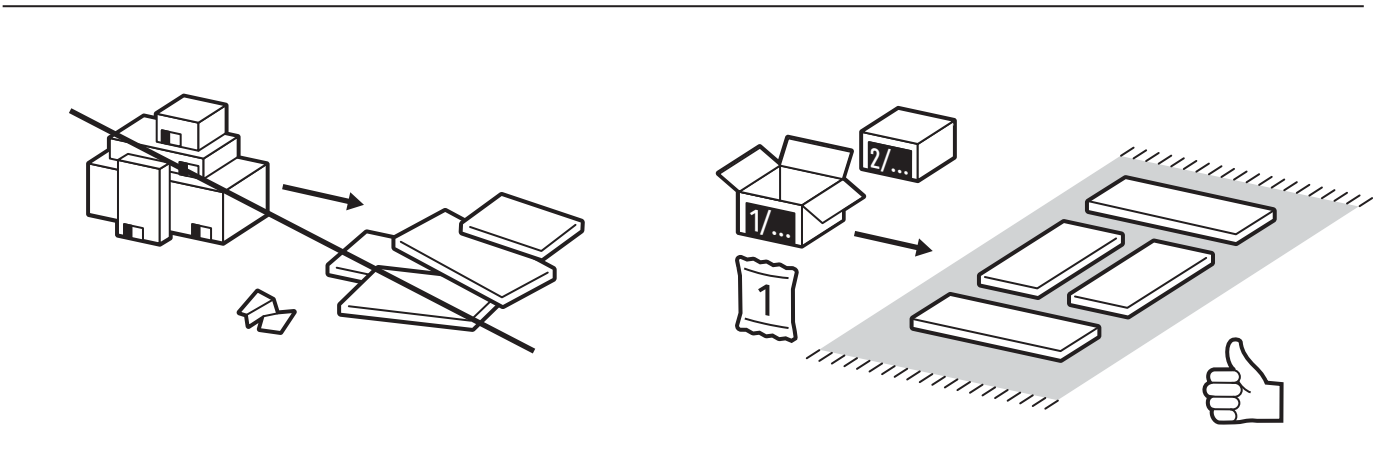
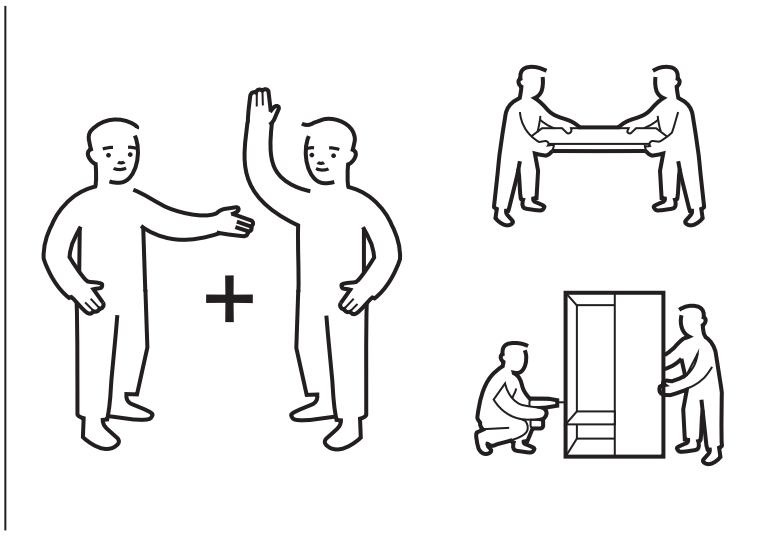
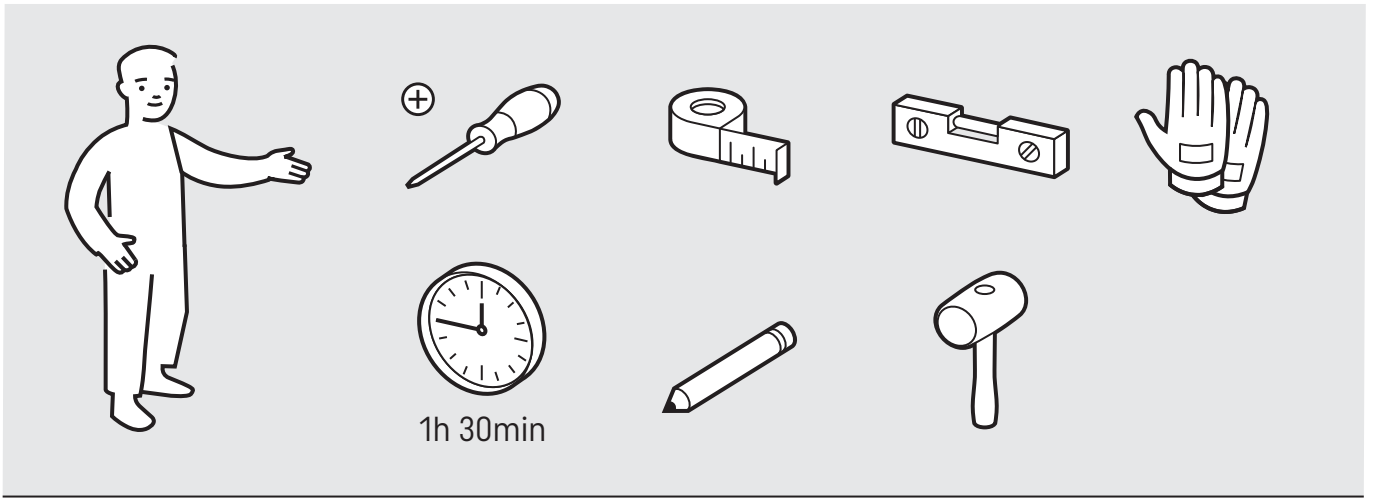
4023067\_001

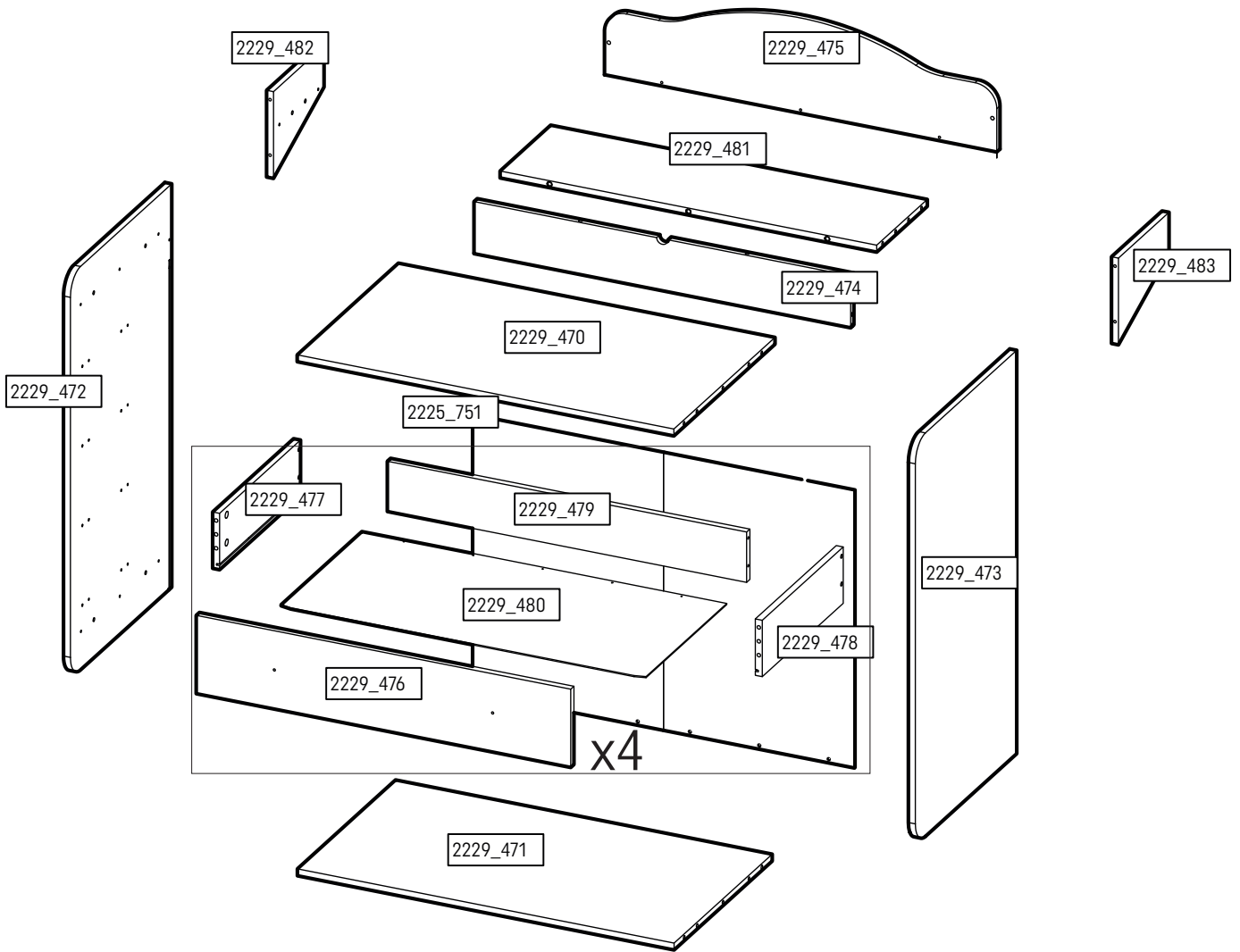
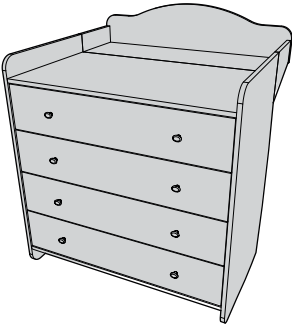


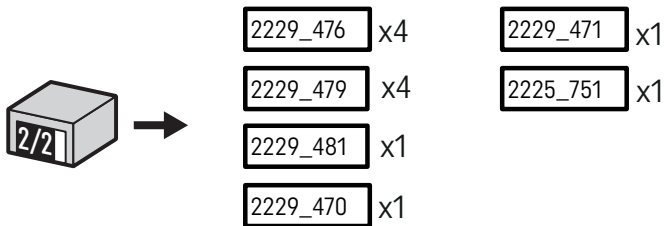
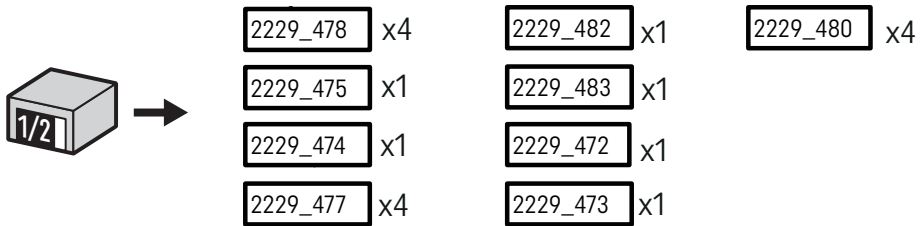
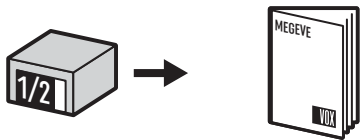
90,5x77,52x105,5 cm  
35 3/4x30 1/4/20 1/2x41 1/2"


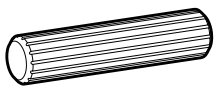

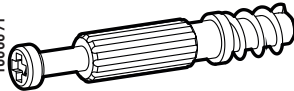
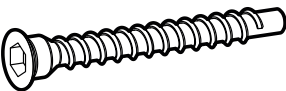

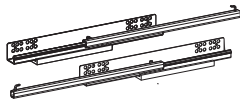

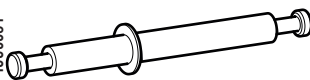
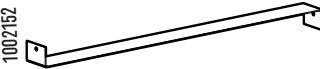

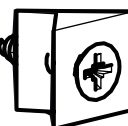
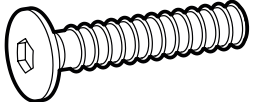
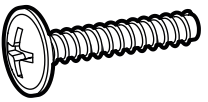




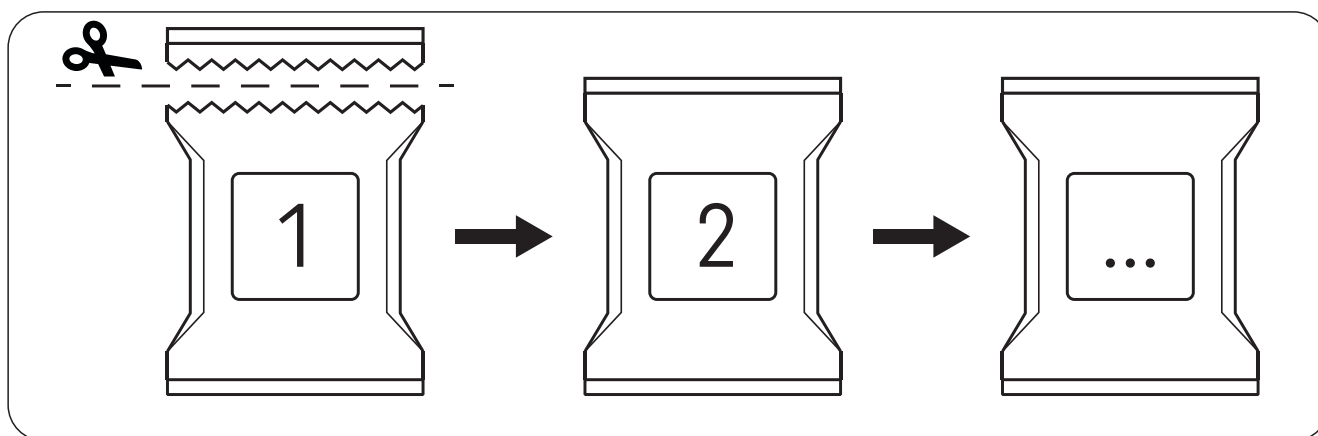
PL • vox.pl  
EU • voxfurniture.com  
US • voelkelcorp.com



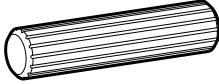
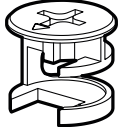
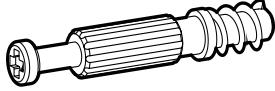


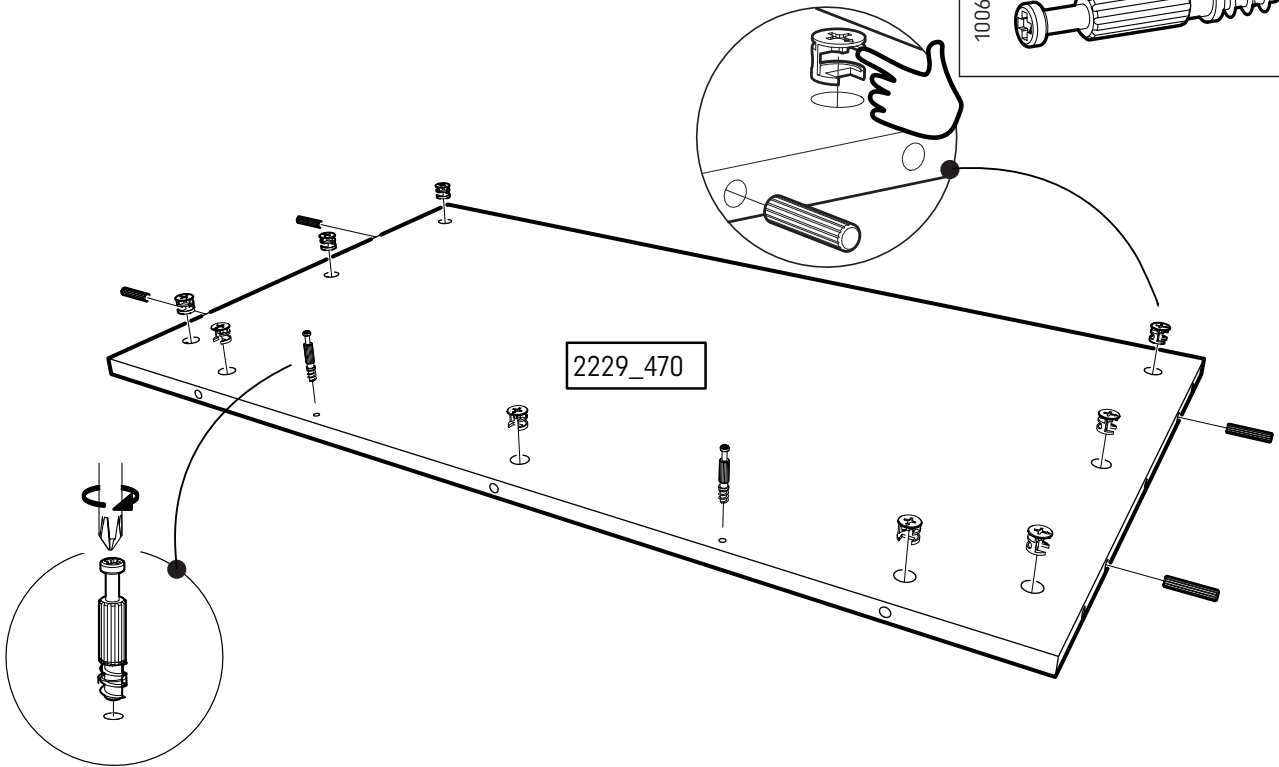


100806  x 1	1005887  x 20	1005367  x 47	1006091  x 41
1005876  x 16	1006012  x 34	1000994  x 4	1005713  x 32
1005581  x 3	1002152  x 4	1005847  x 4	1006022  x 6
1005665  x 2	1005388  x 8	1000893  x 1	1135274  x 8

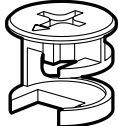


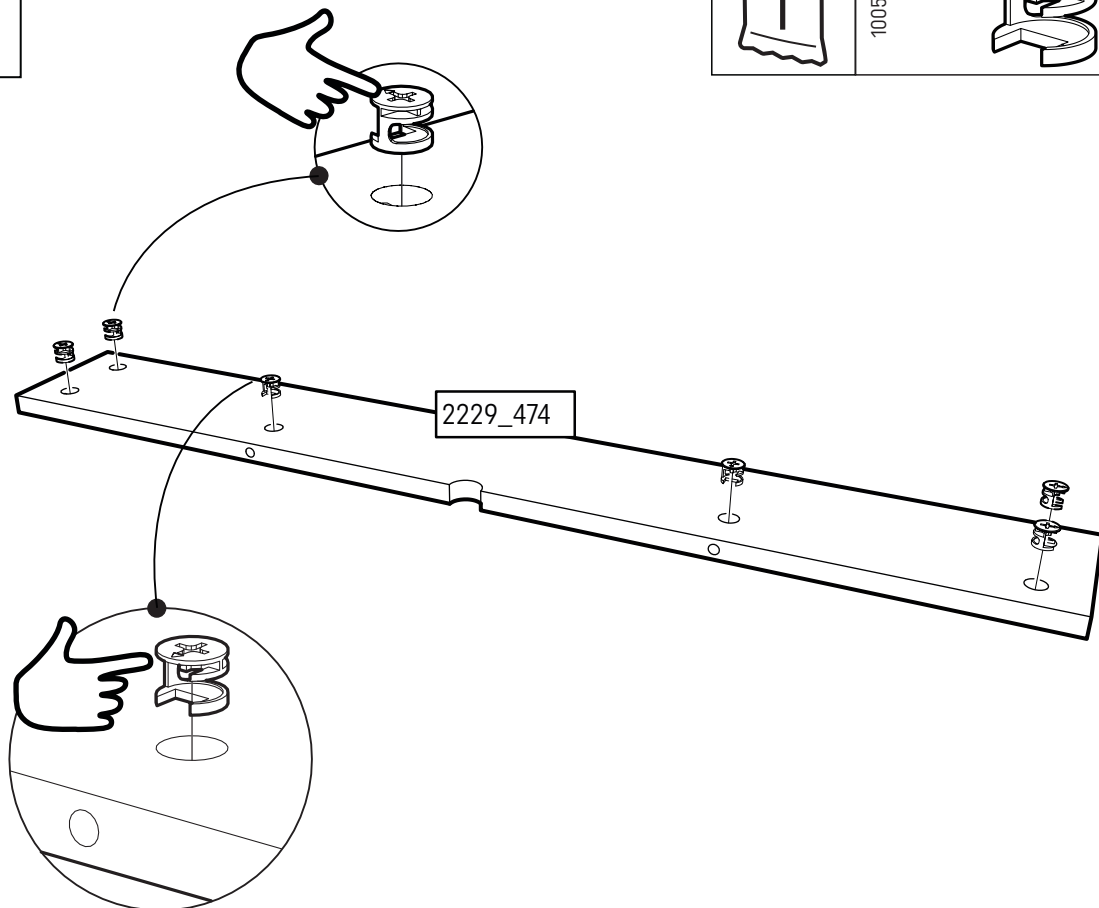
1

1	1005857  x 4	1005367  x 9
		1006091  x 2

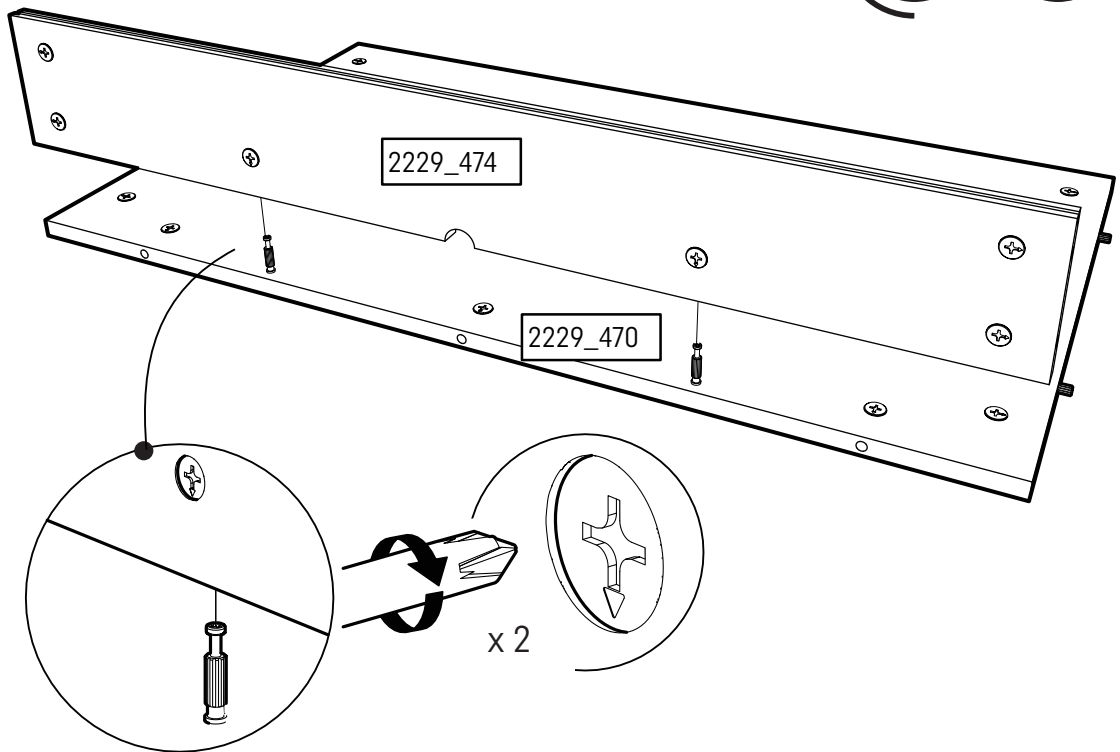
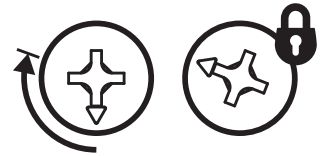


2

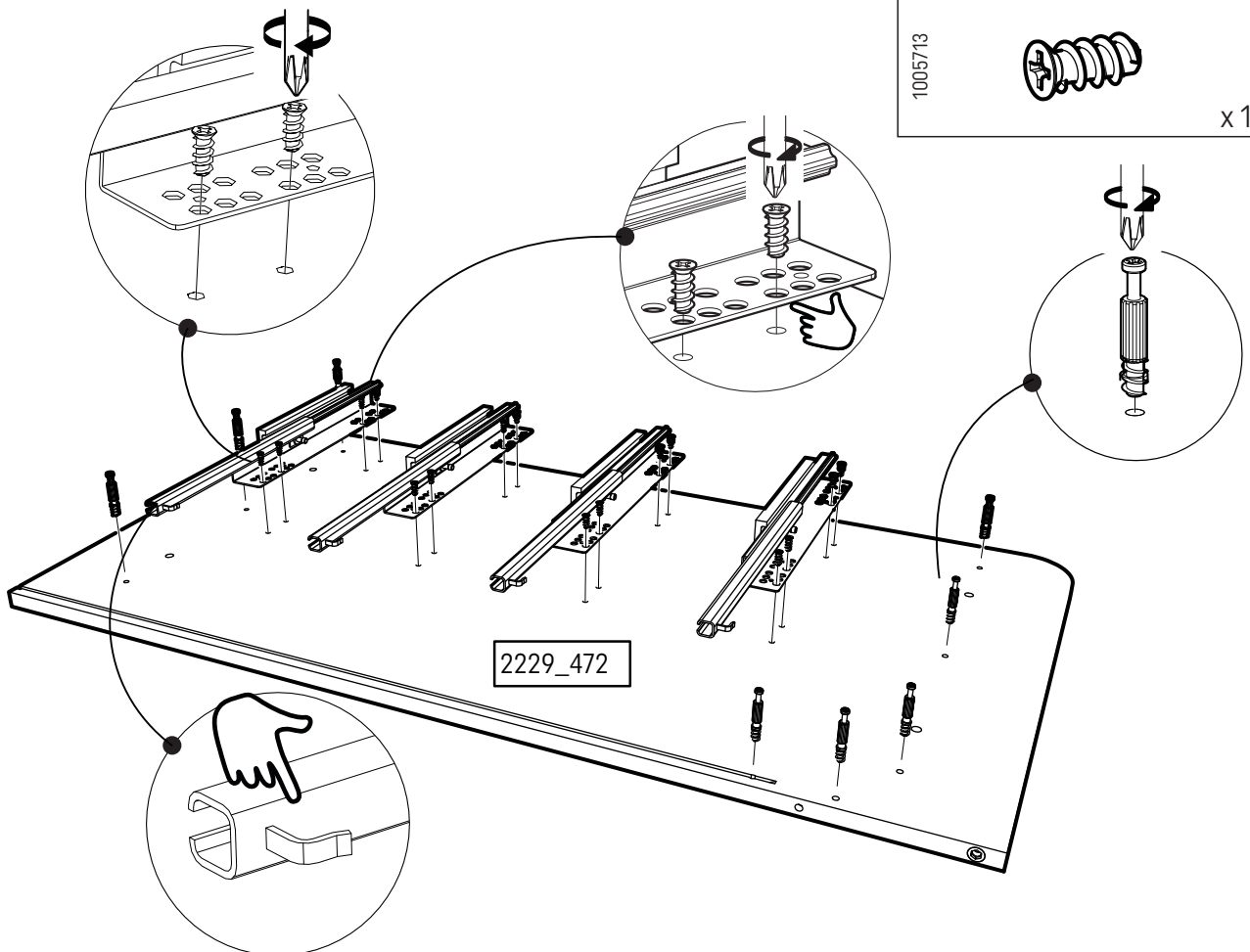
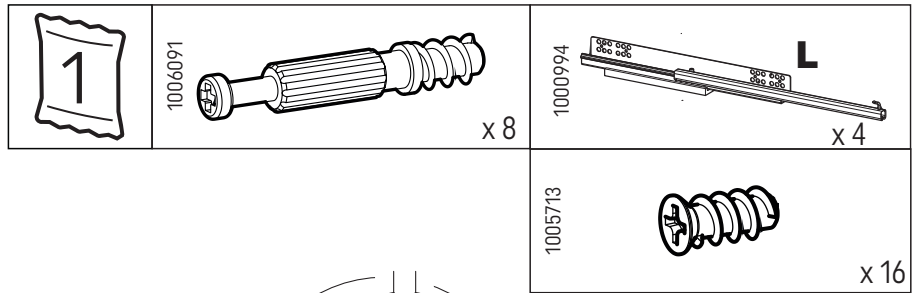
1	1005367  x 6
---	---



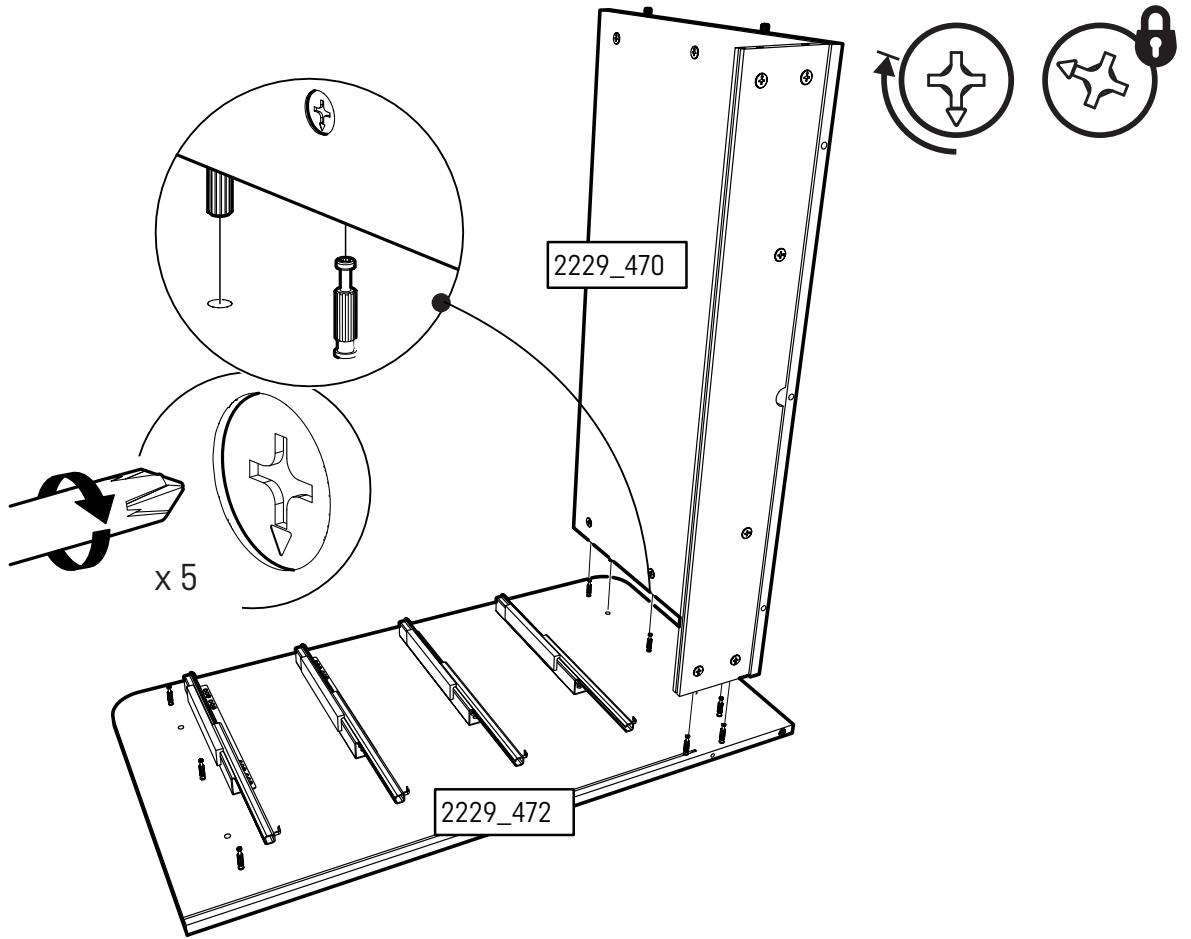
3



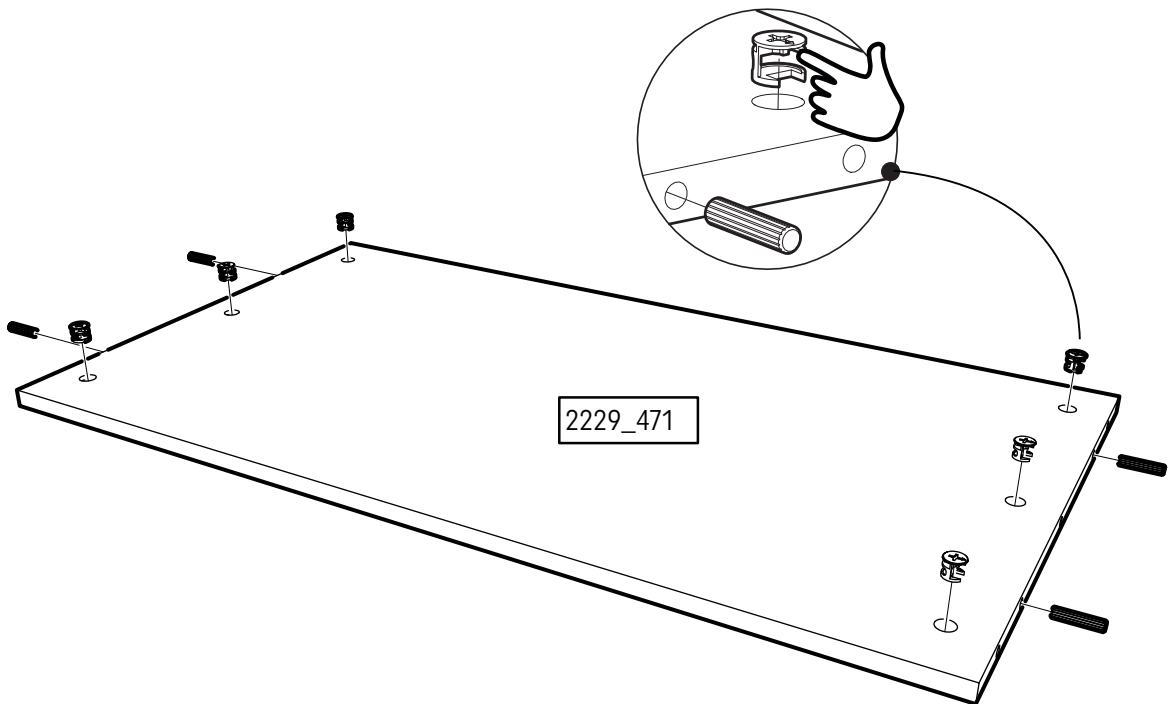
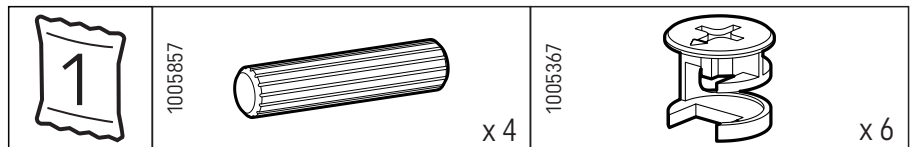
4



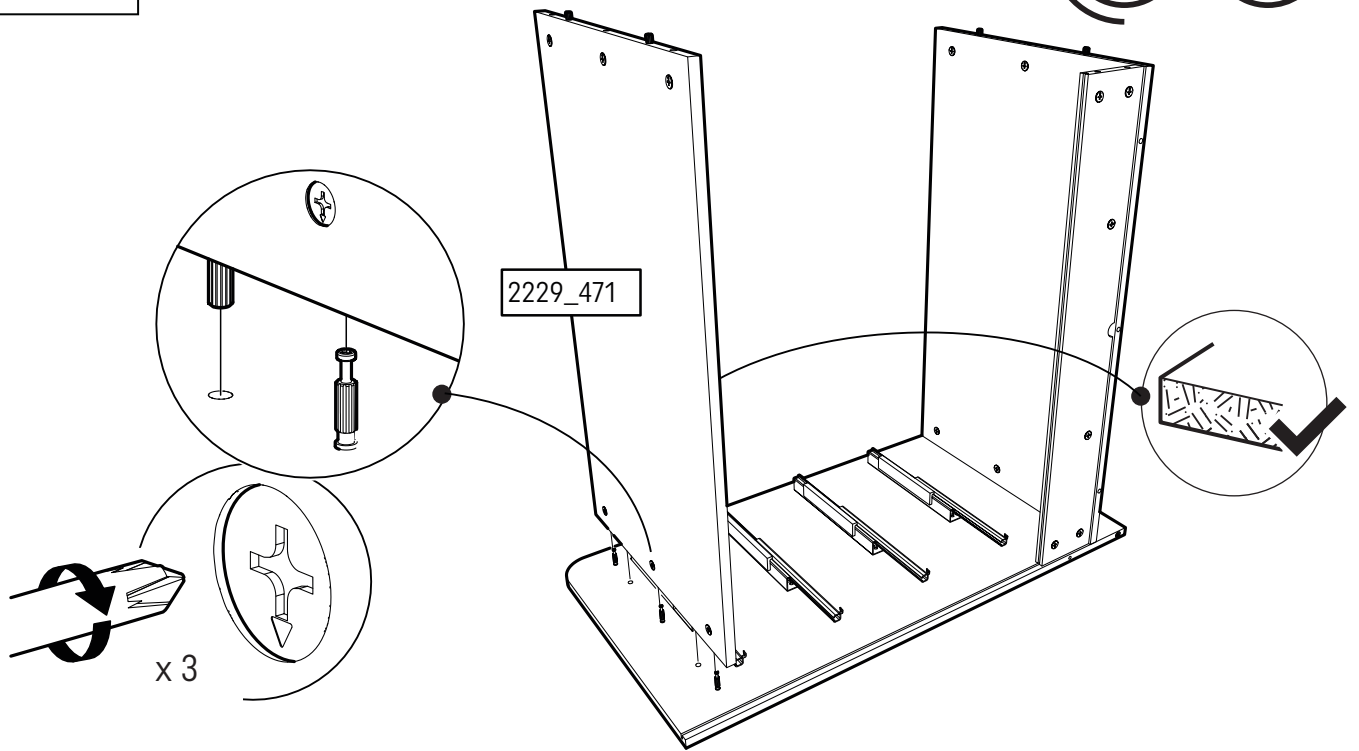
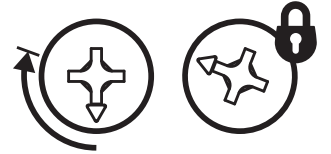
5



6

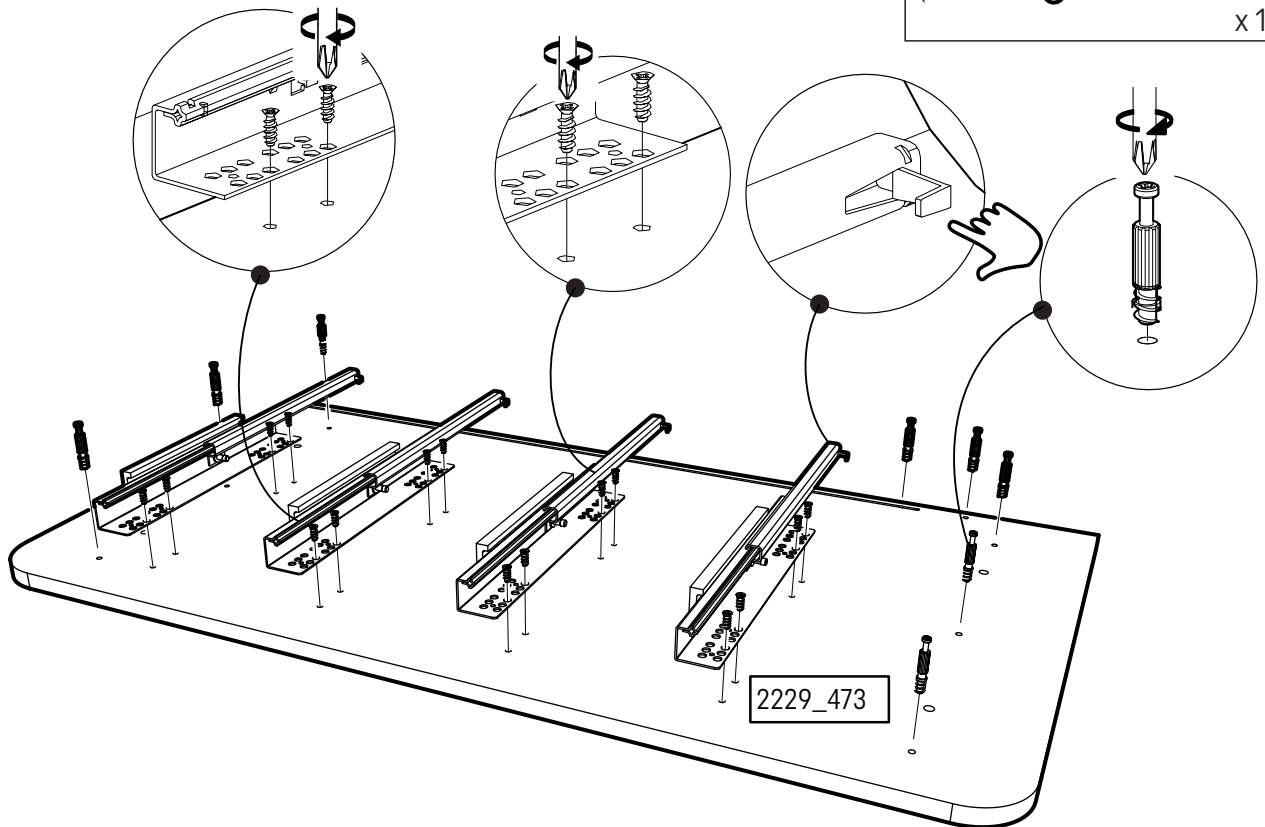


7

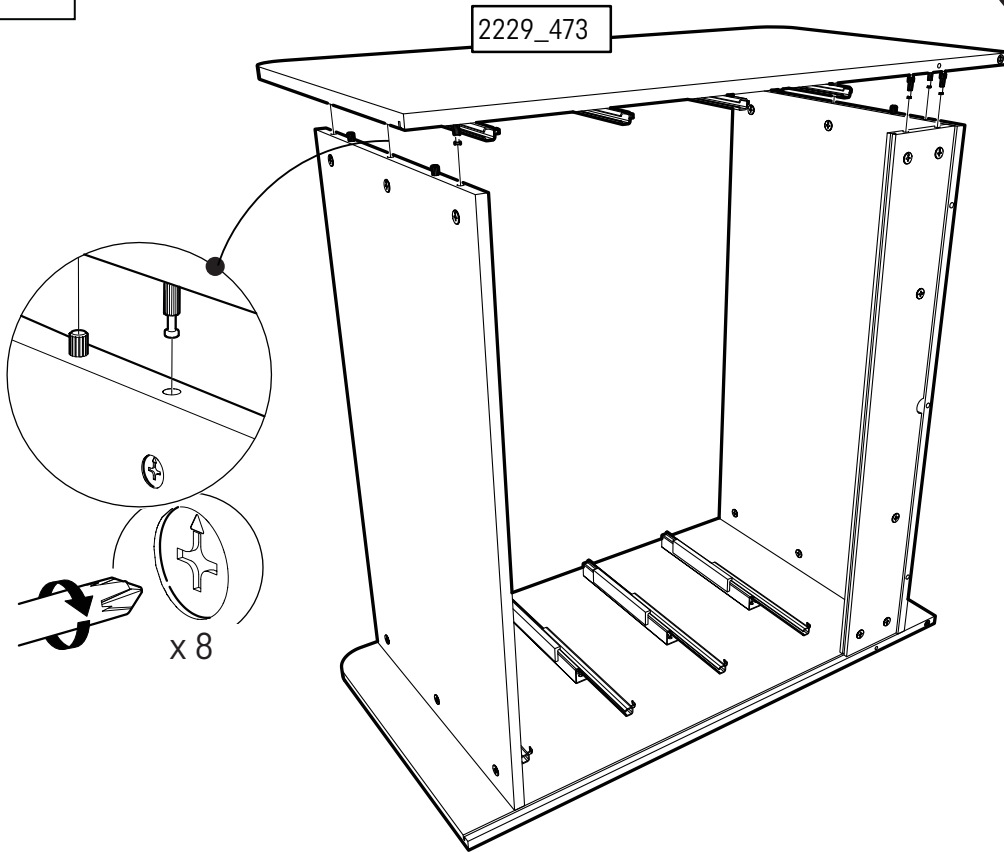
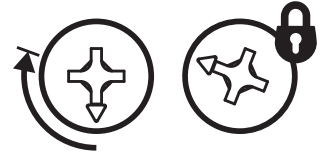


8

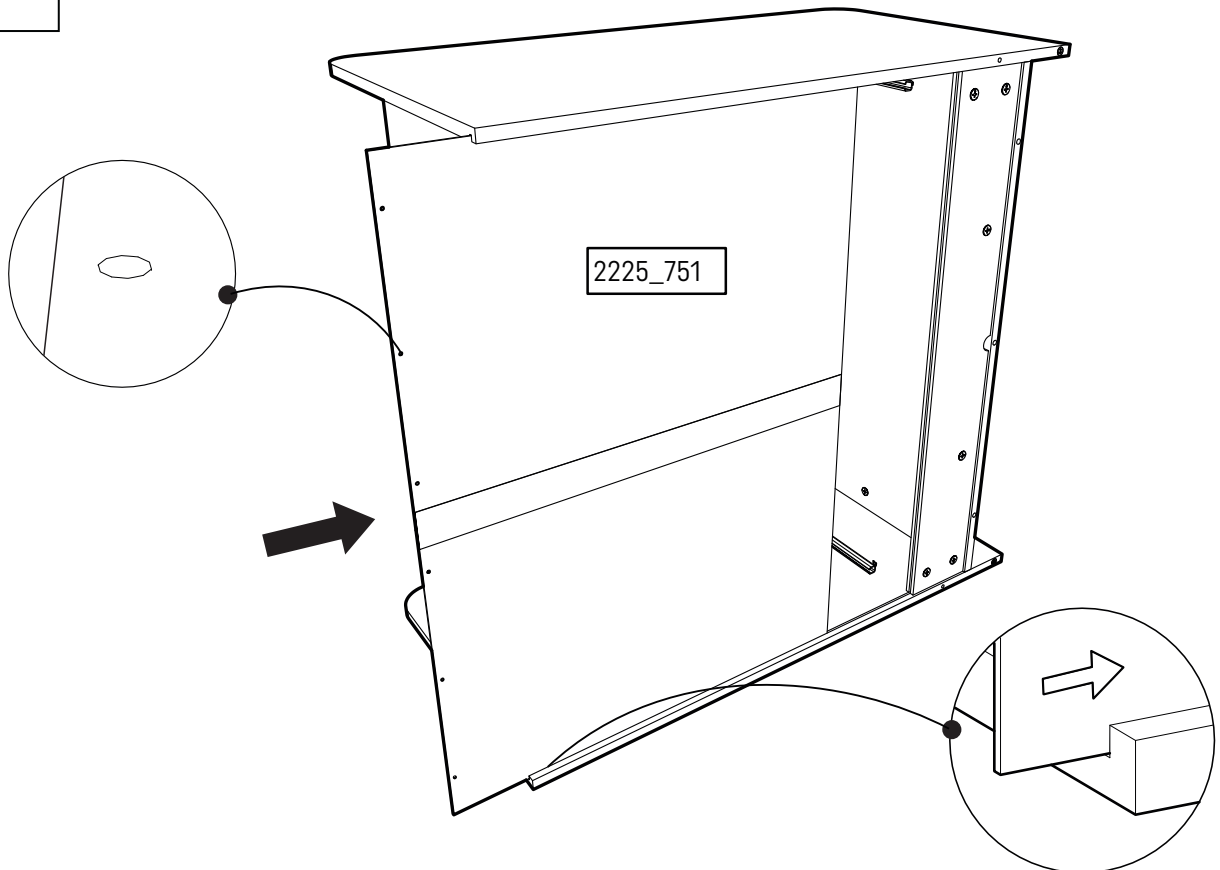
	1006091  x 8	1000994 <b>P</b> x 4
	1005713  x 16	





9

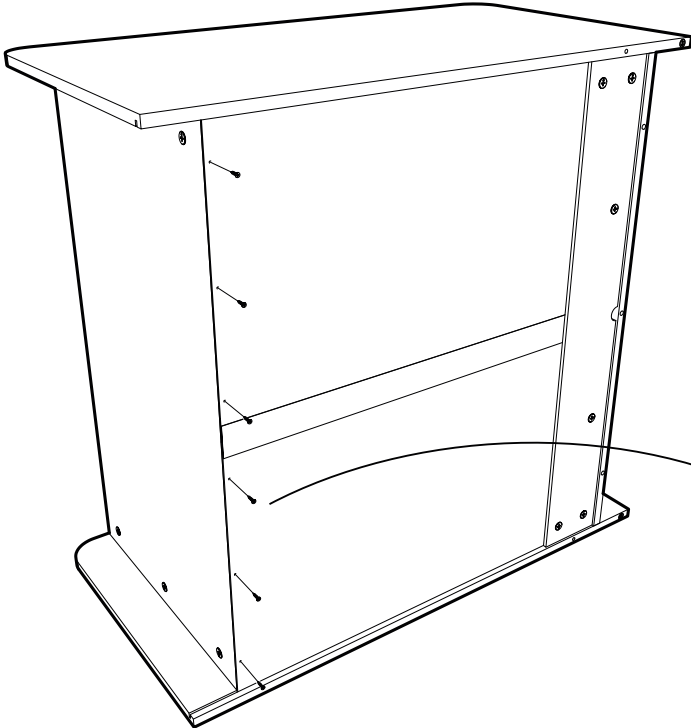



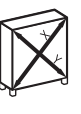

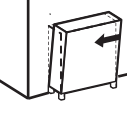

10

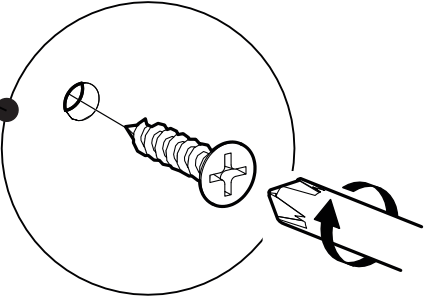


11




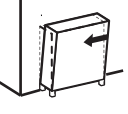
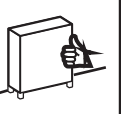
	1006012		x 6
--	---------	---	-----


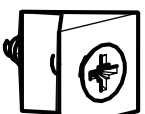


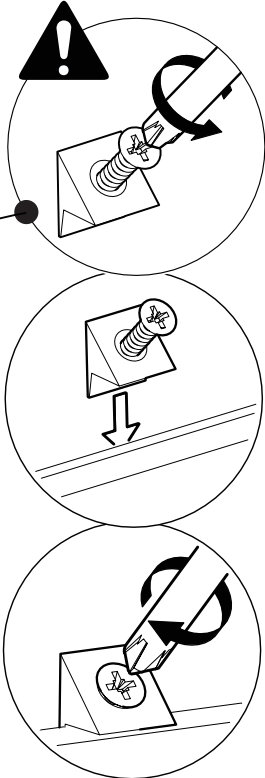
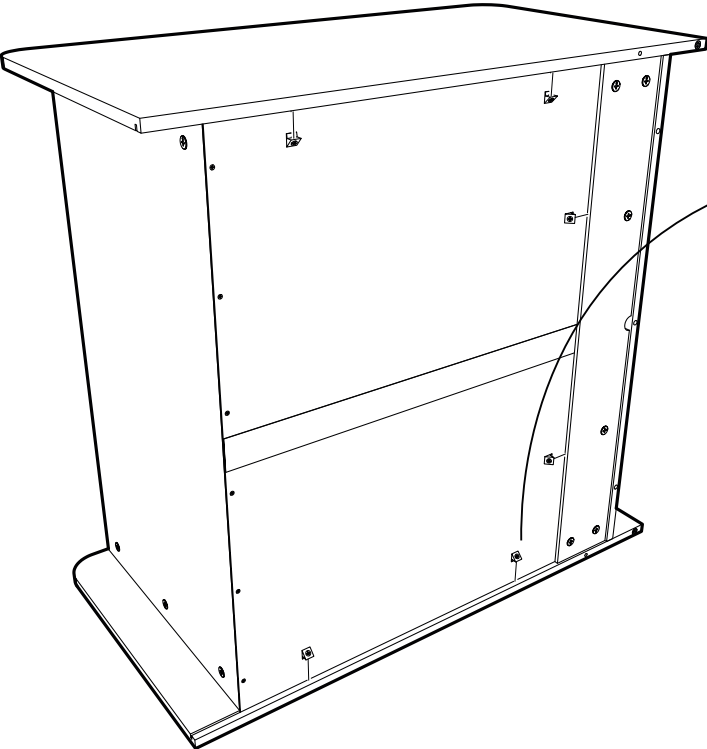
	 	 $X \neq Y (>2mm)$	 $X = Y (\pm 1mm)$
---	--	--	--



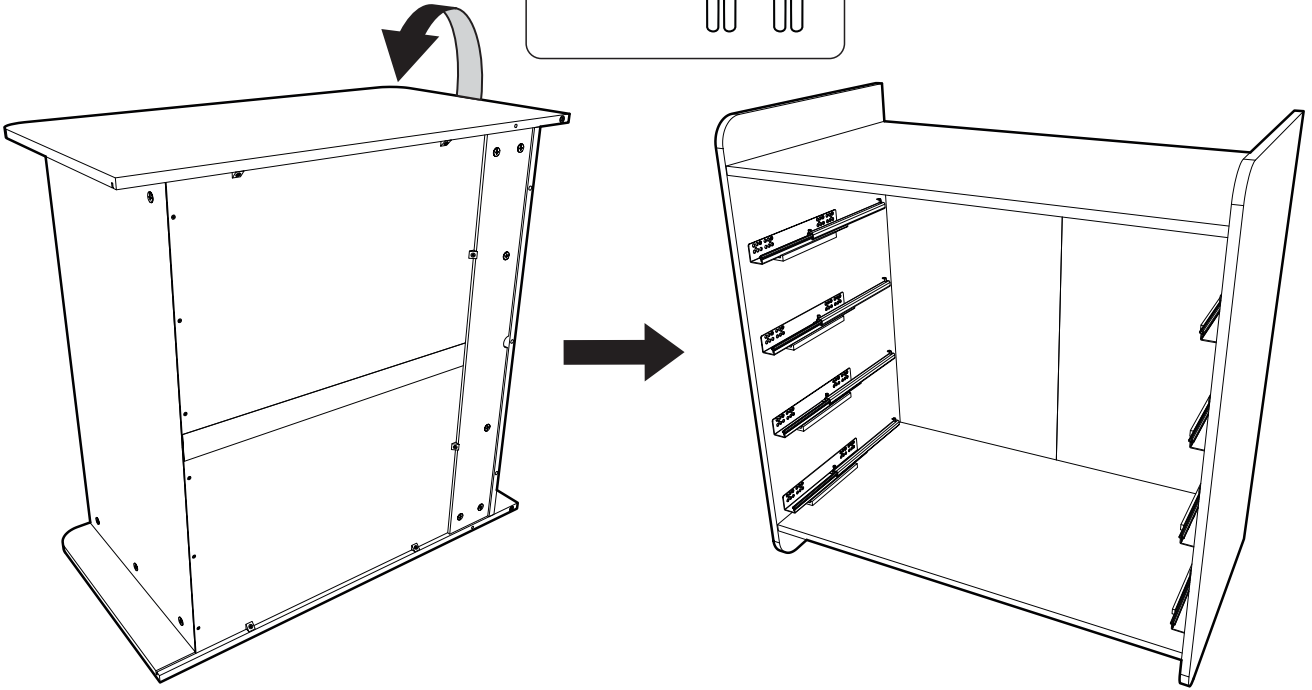
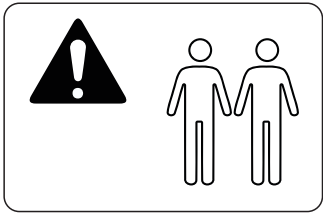
12

	 	 $X \neq Y (>2mm)$	 $X = Y (\pm 1mm)$
---	--	--	--

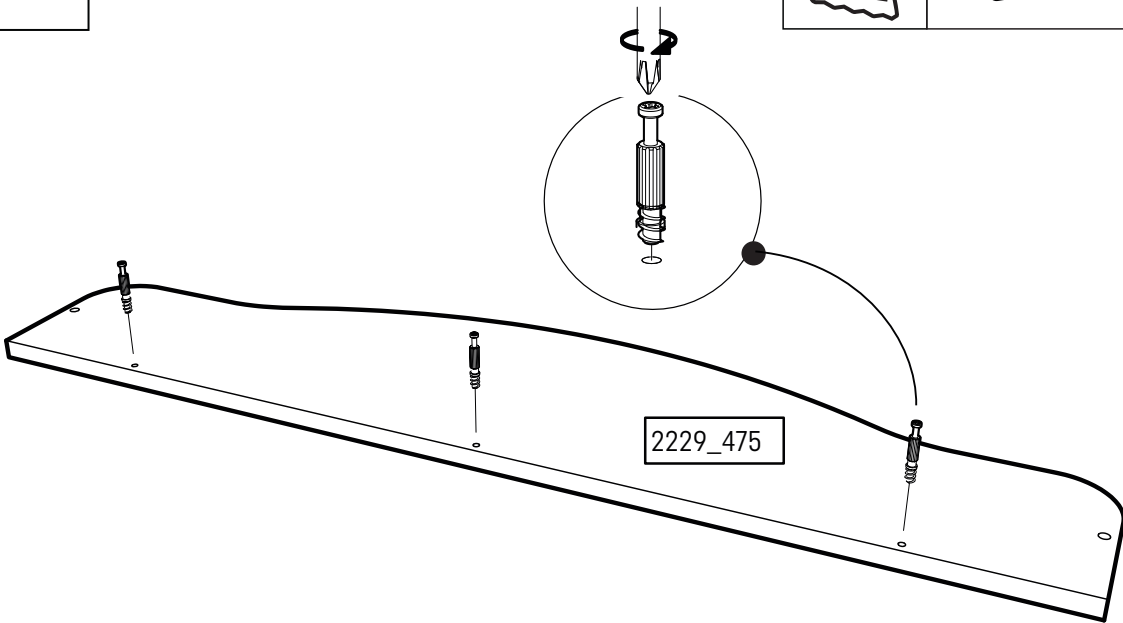
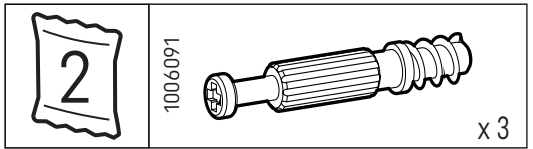
	1006022		x 6
--	---------	---	-----



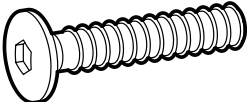
13

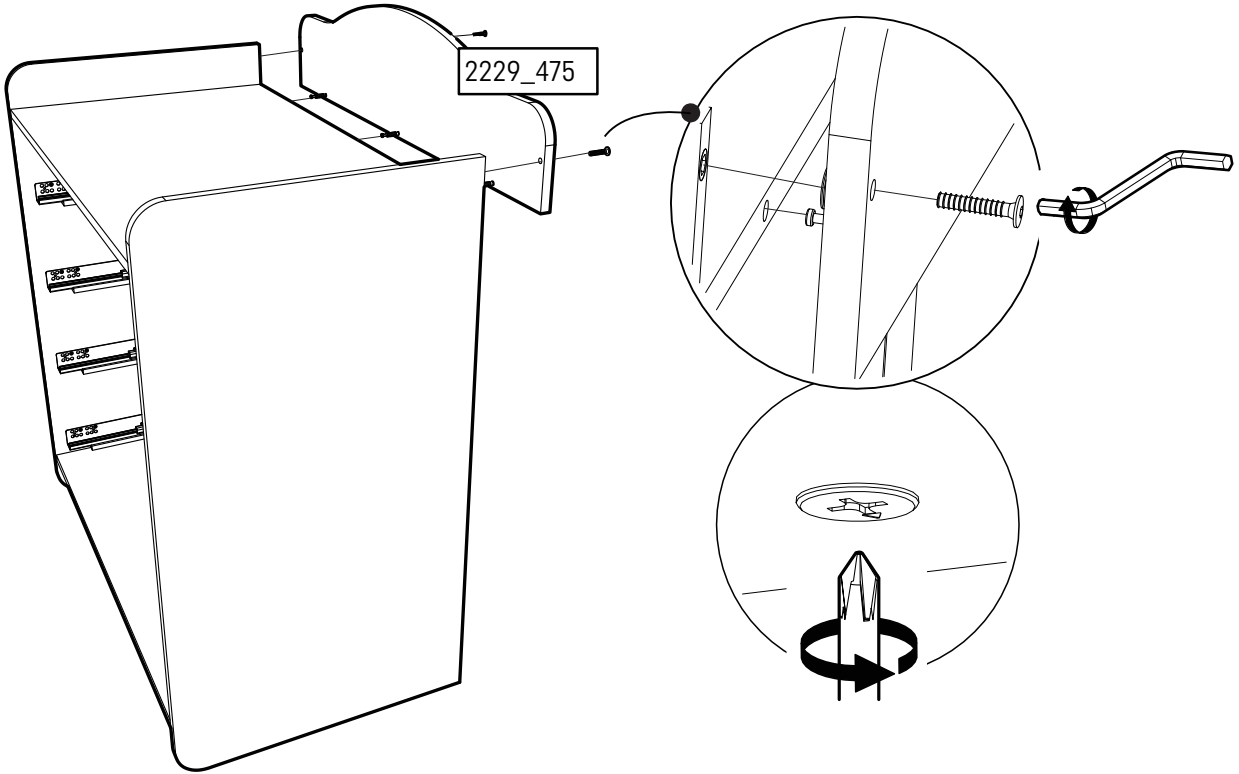


14




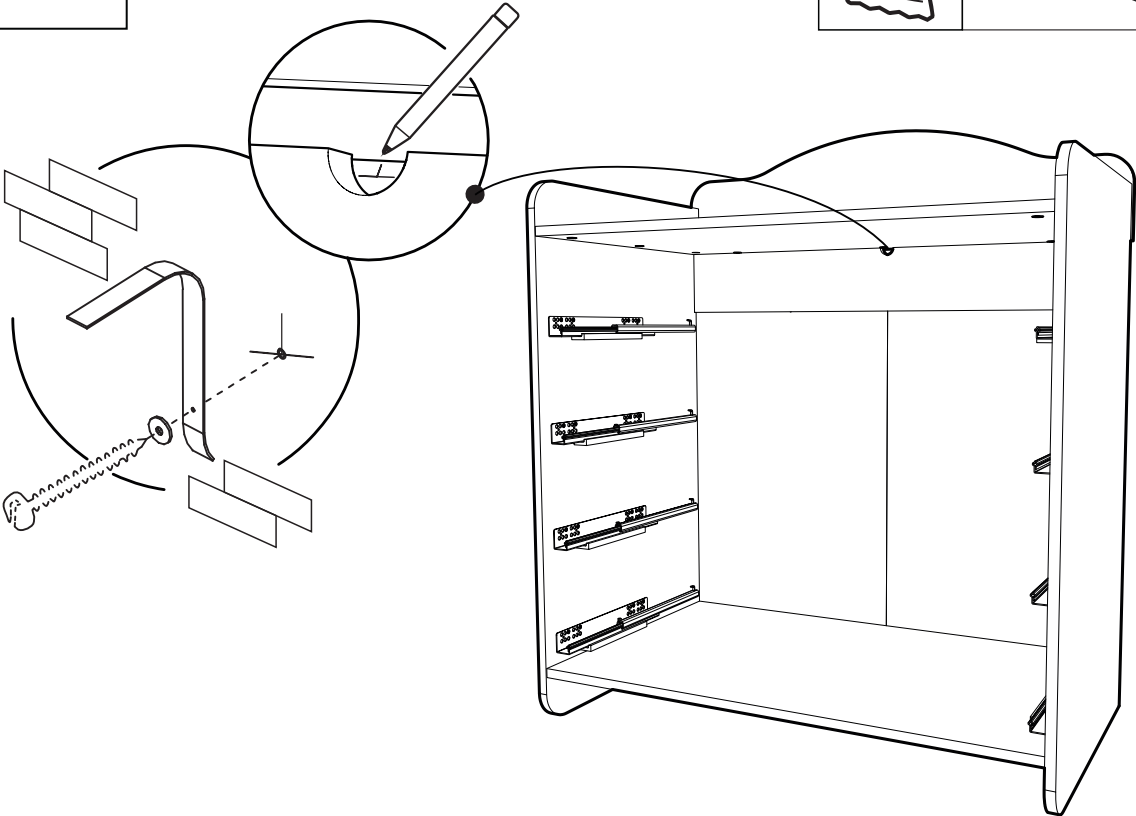
15

2	1005665	 x 2
---	---------	--

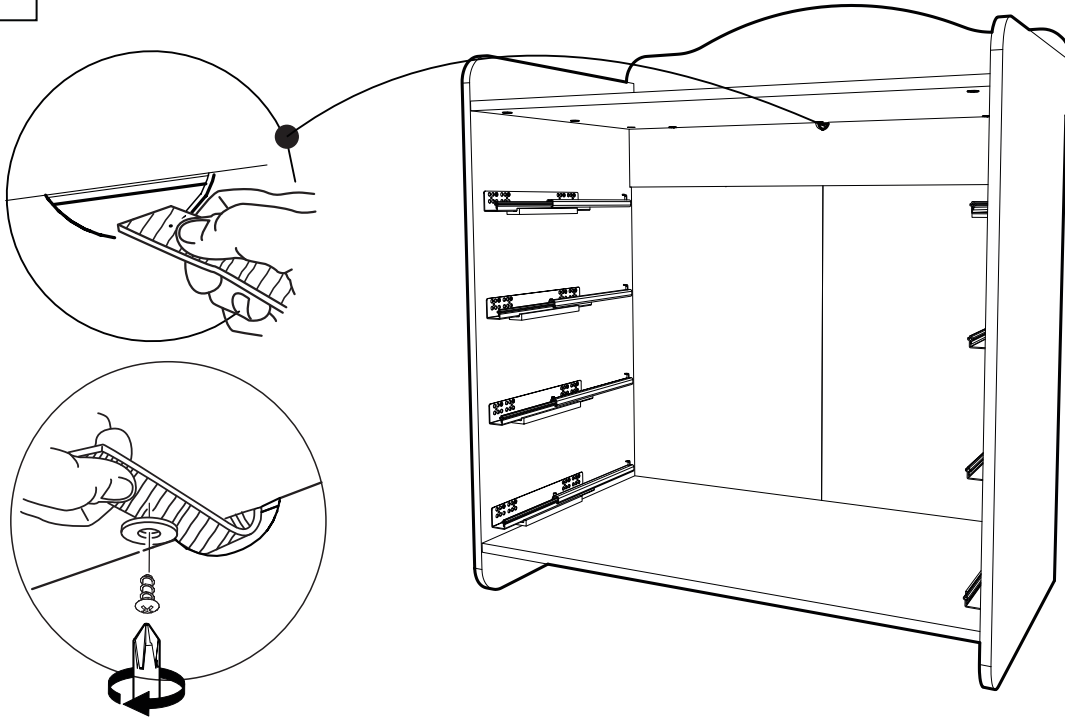


16

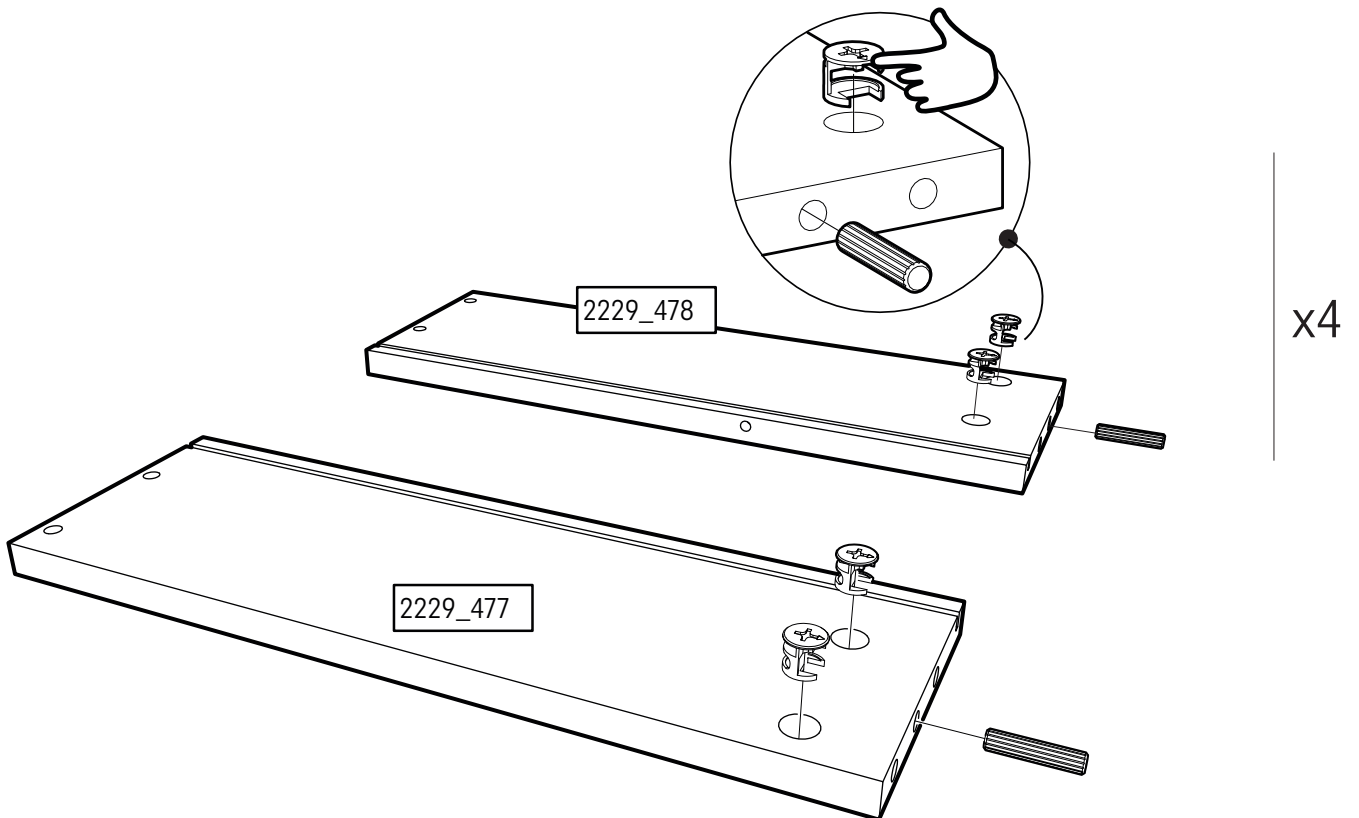
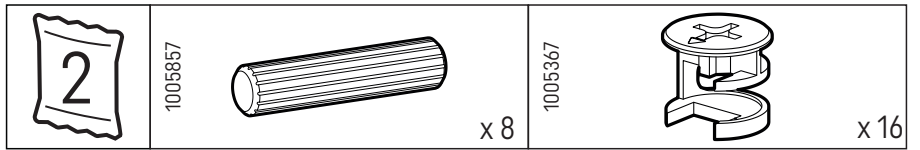
2	1000893	 x 1
---	---------	--



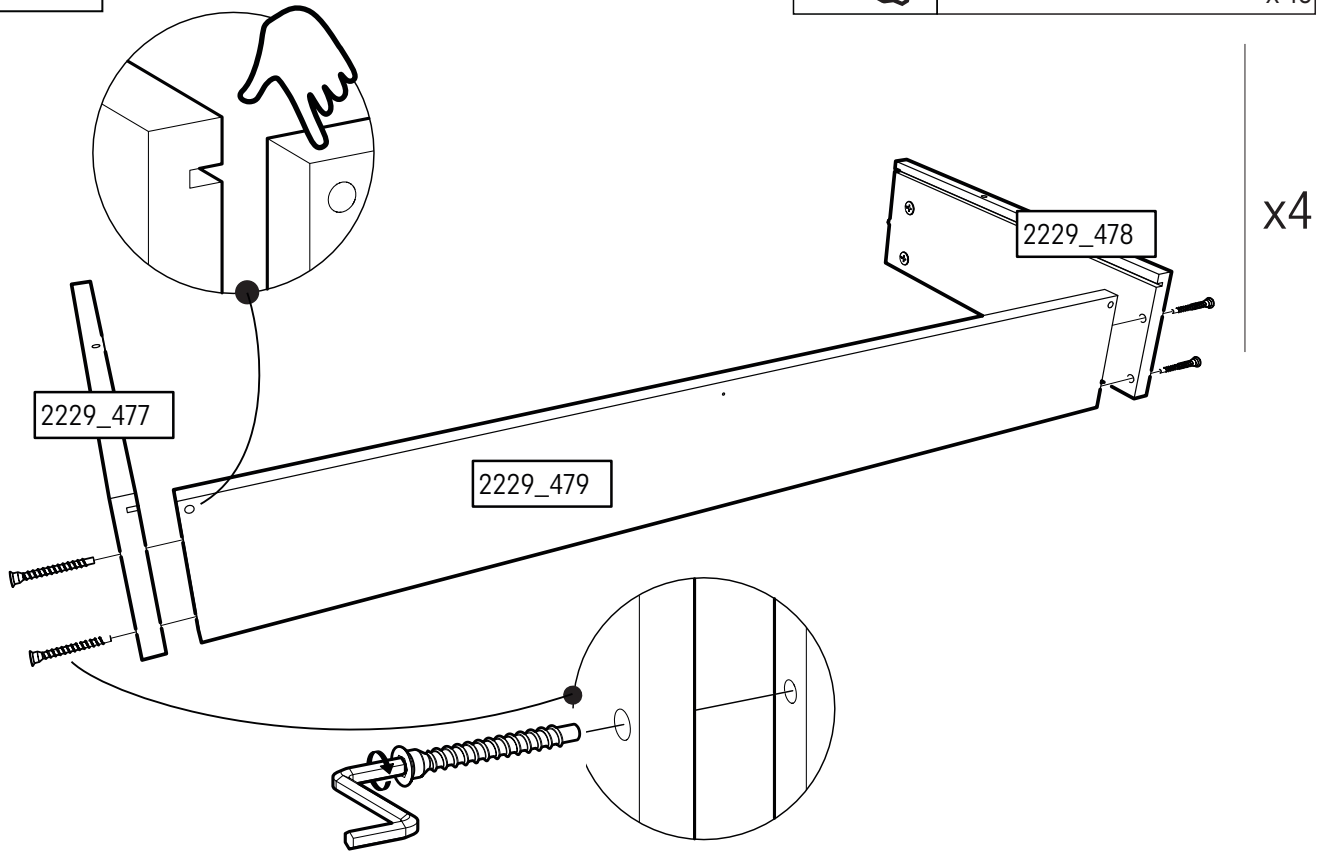
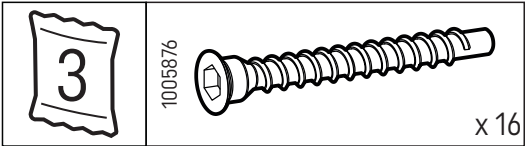
17



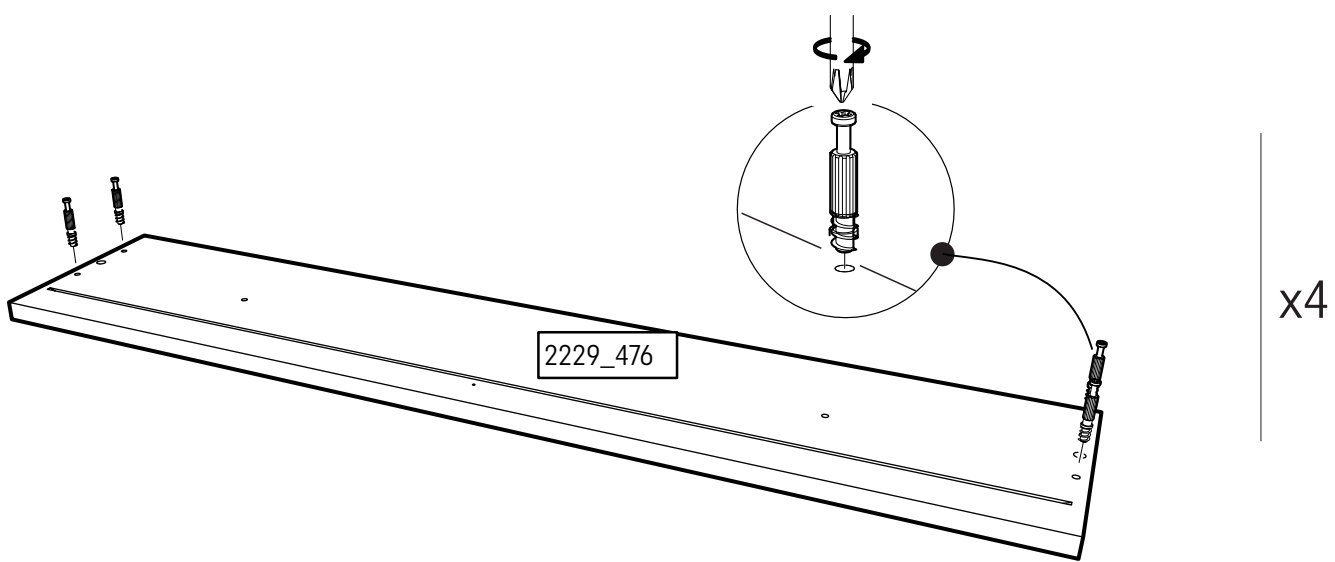
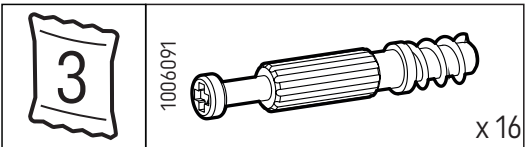
18



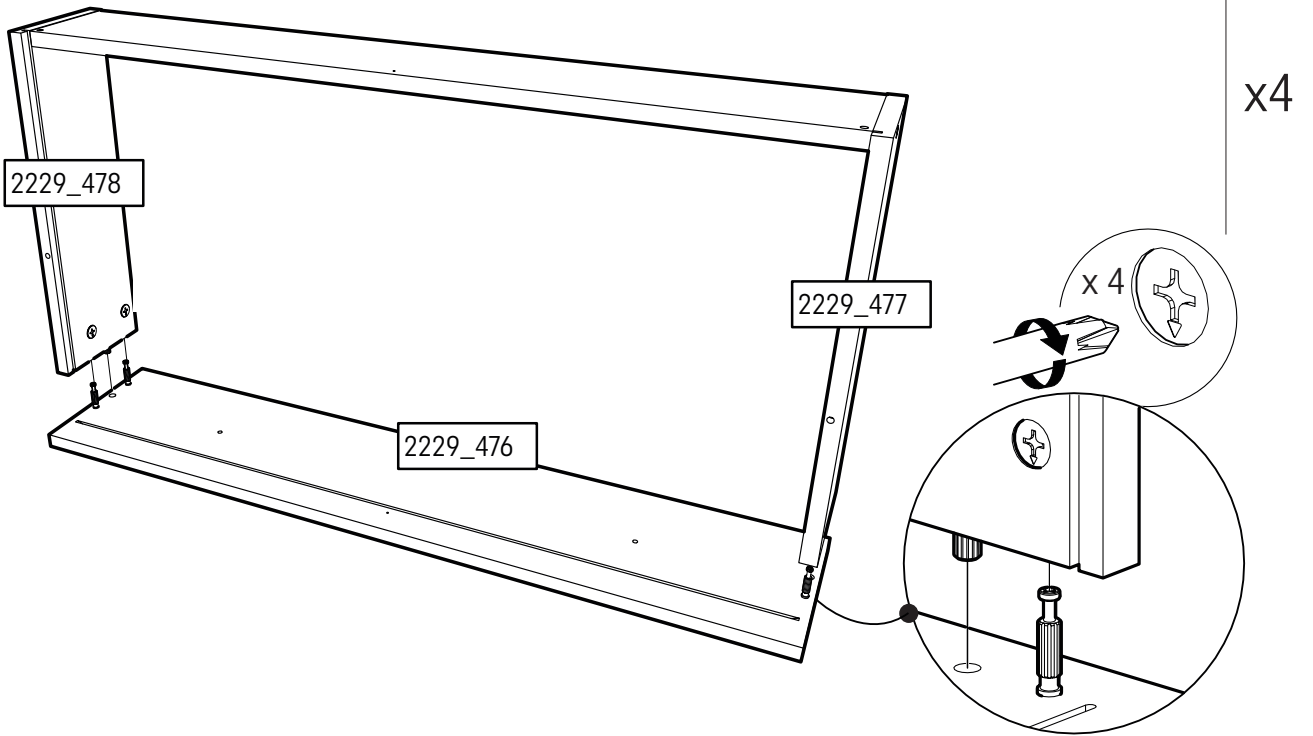
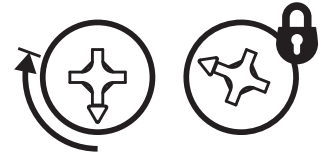
19



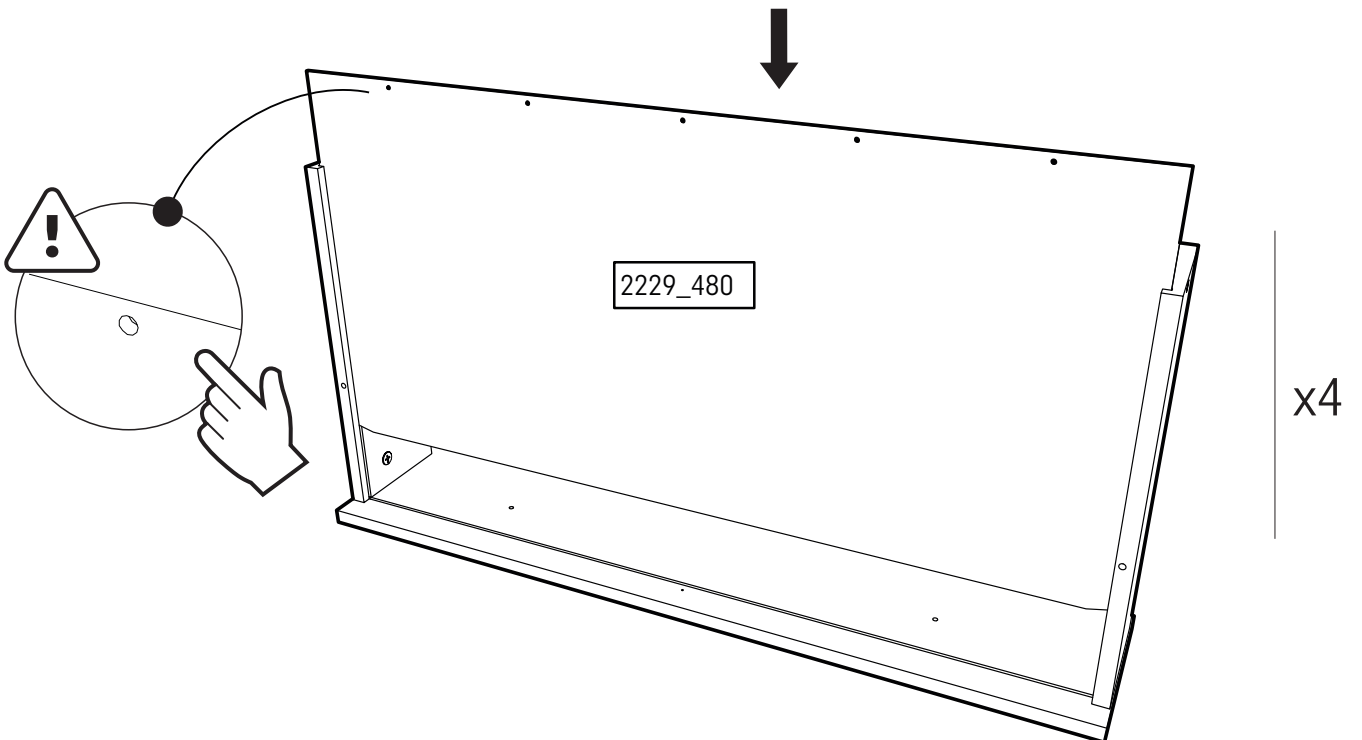
20





21


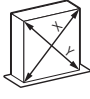

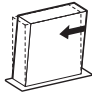
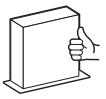


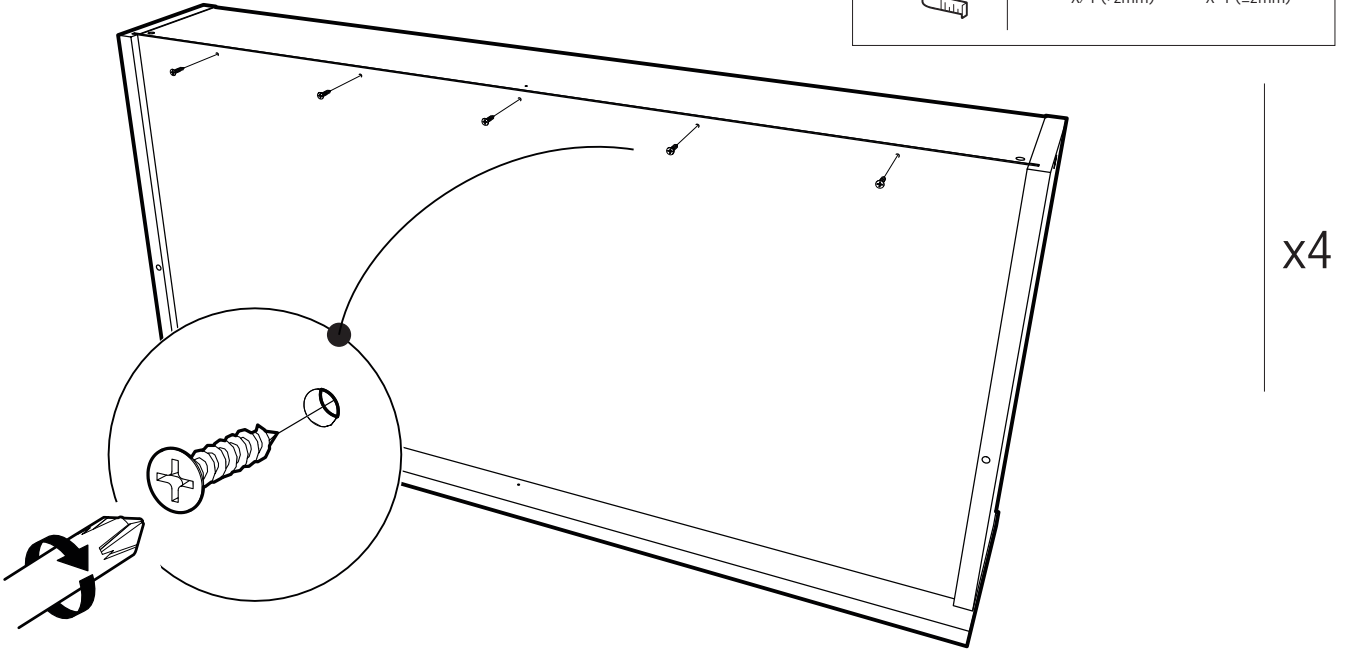
22






23

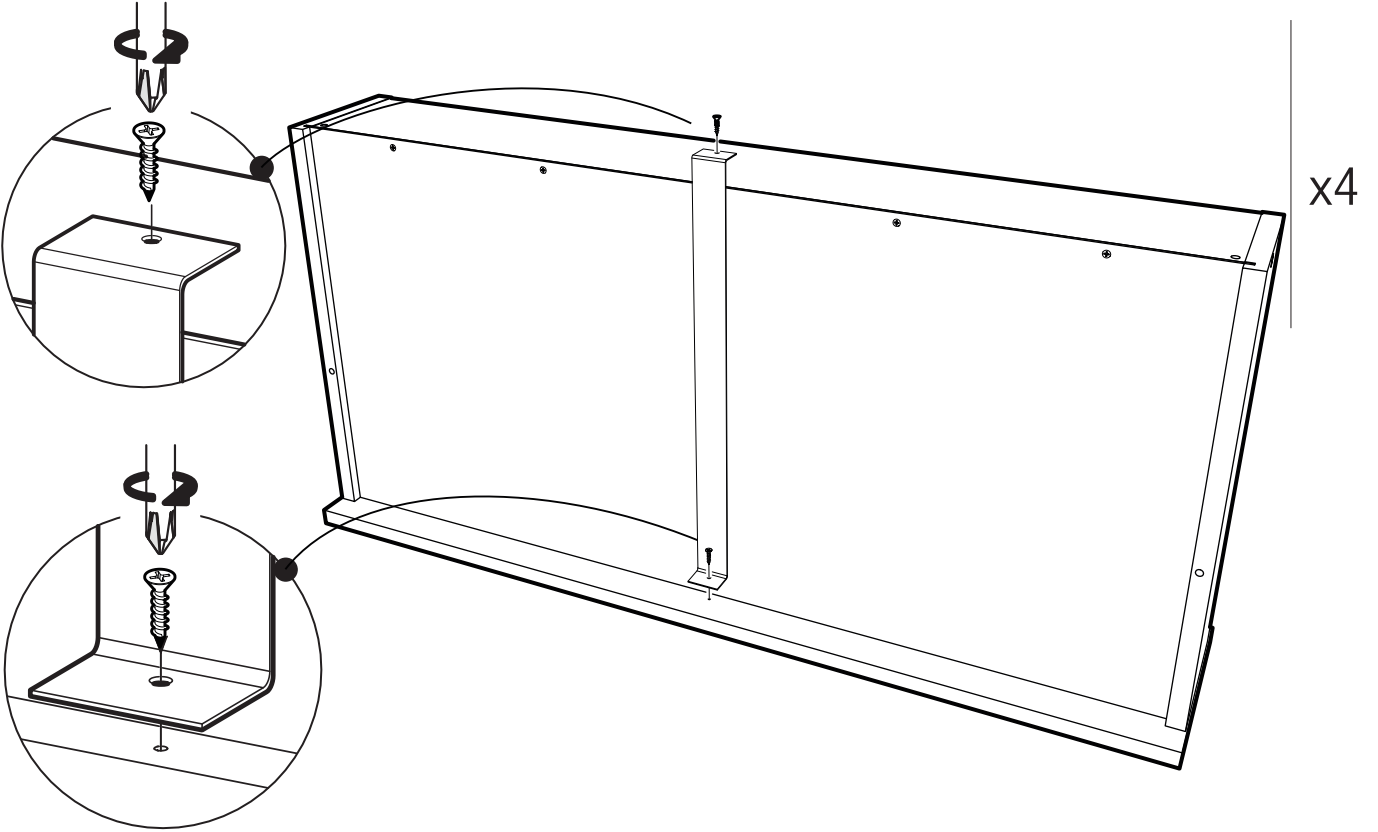
	1006012		x 20
--	---------	---	------

  	 X=Y (>2mm)	 X=Y (±2mm)
---	---	---



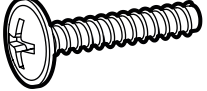


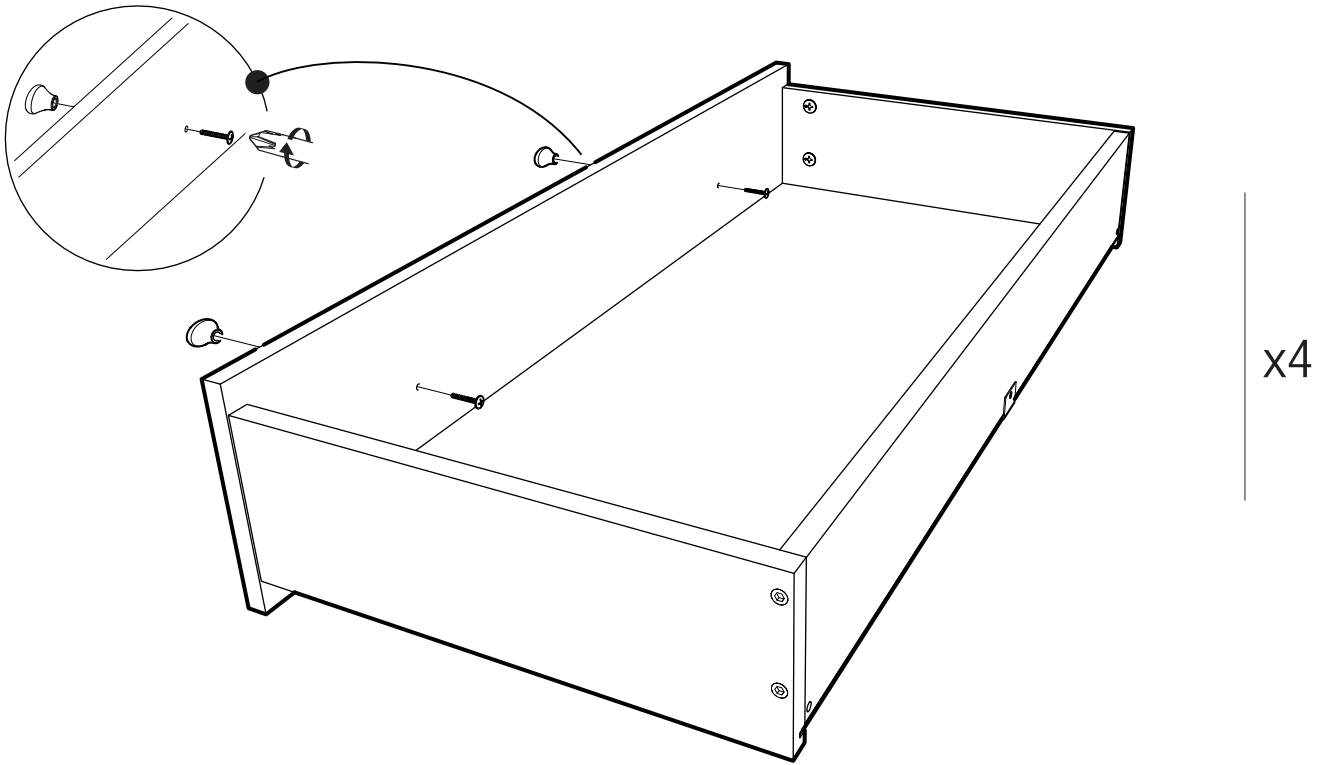
24

	1006012		x 8	1002152		x 4
---	---------	---	-----	---------	---	-----

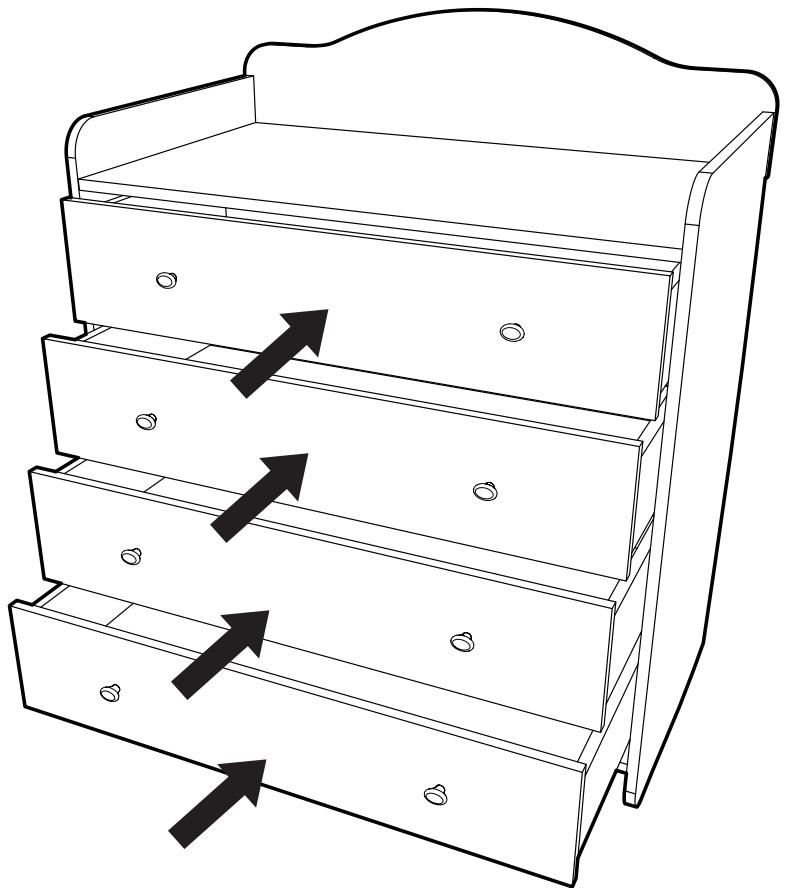
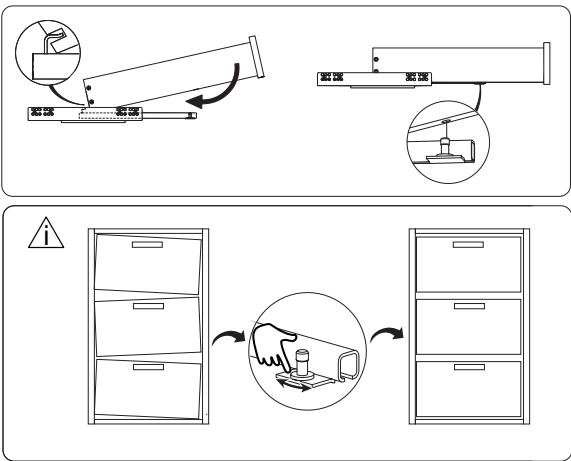


25

	1135274		x 8	1005388		x 8
---	---------	---	-----	---------	---	-----



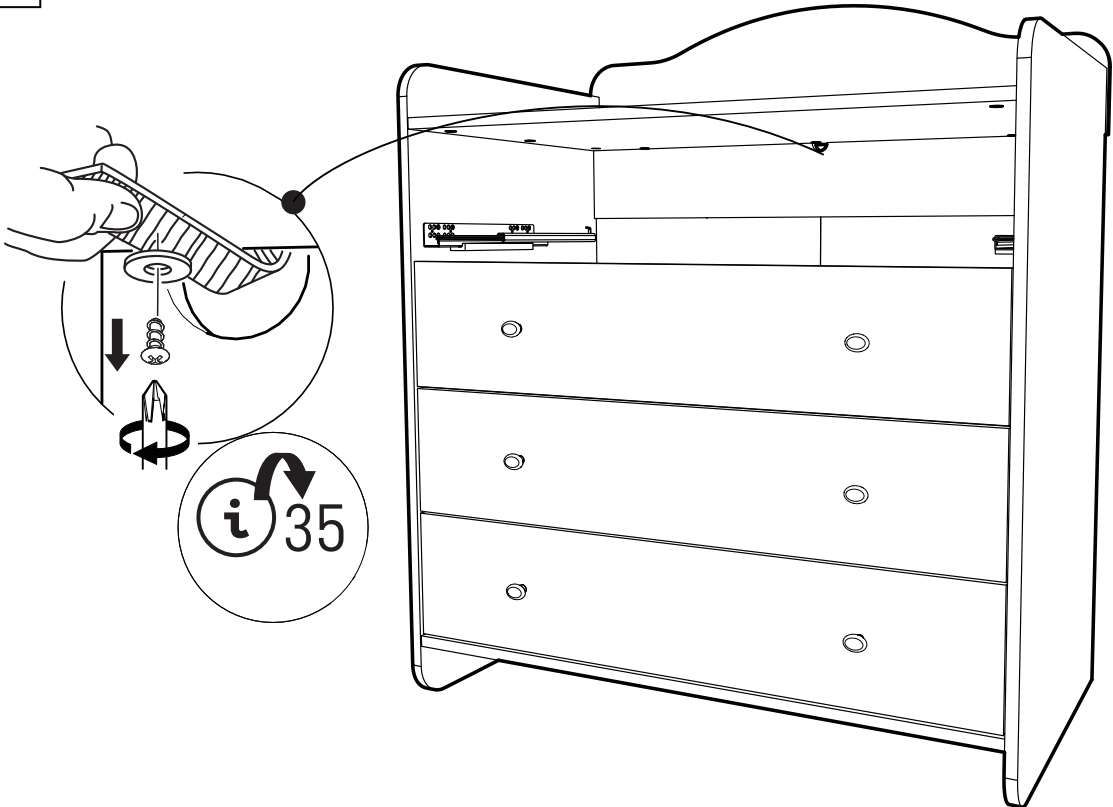
26



27

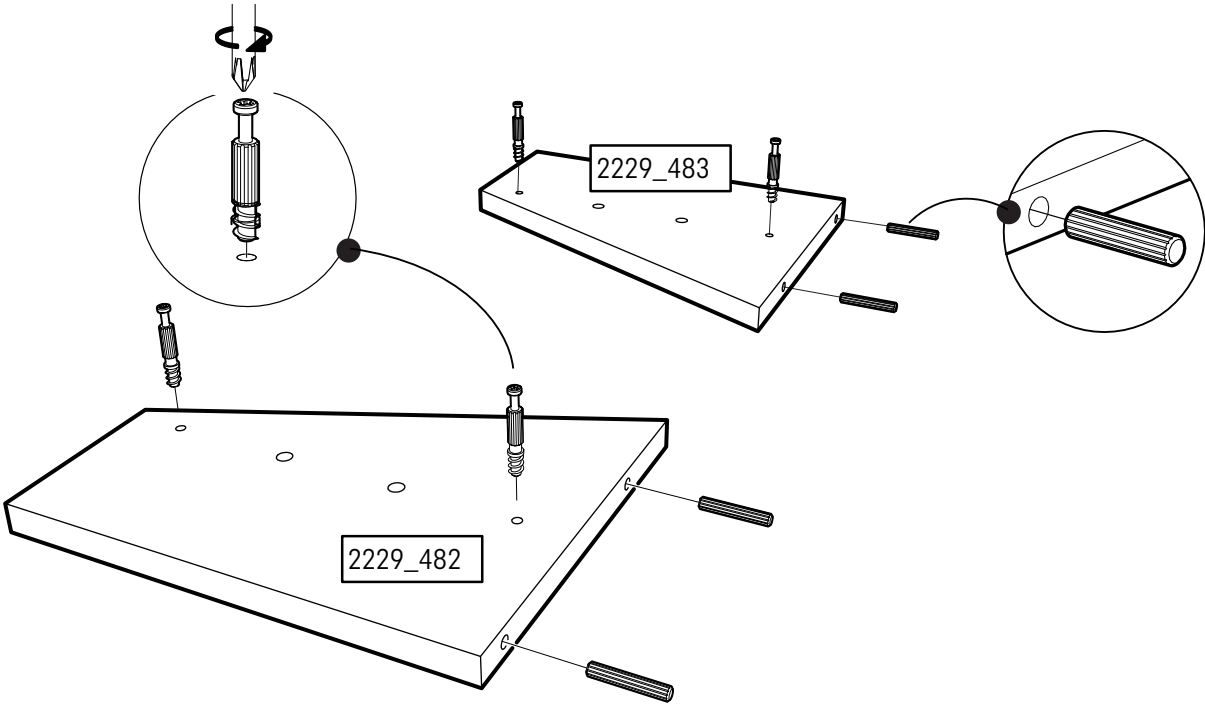
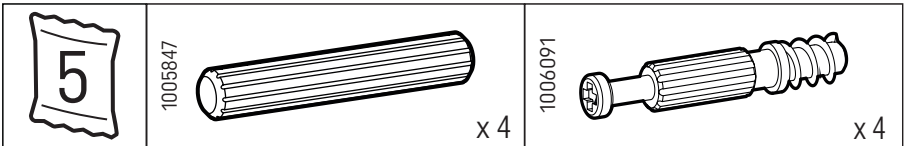


28



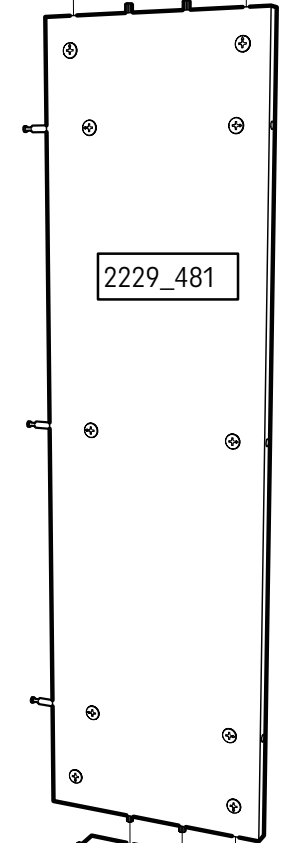


31



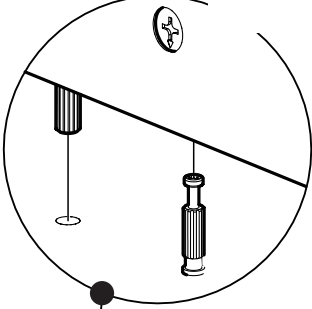
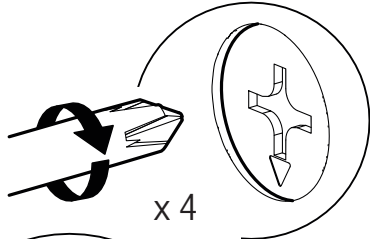
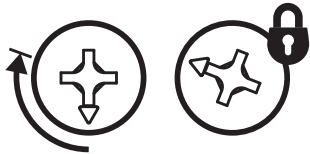
32

2229\_483

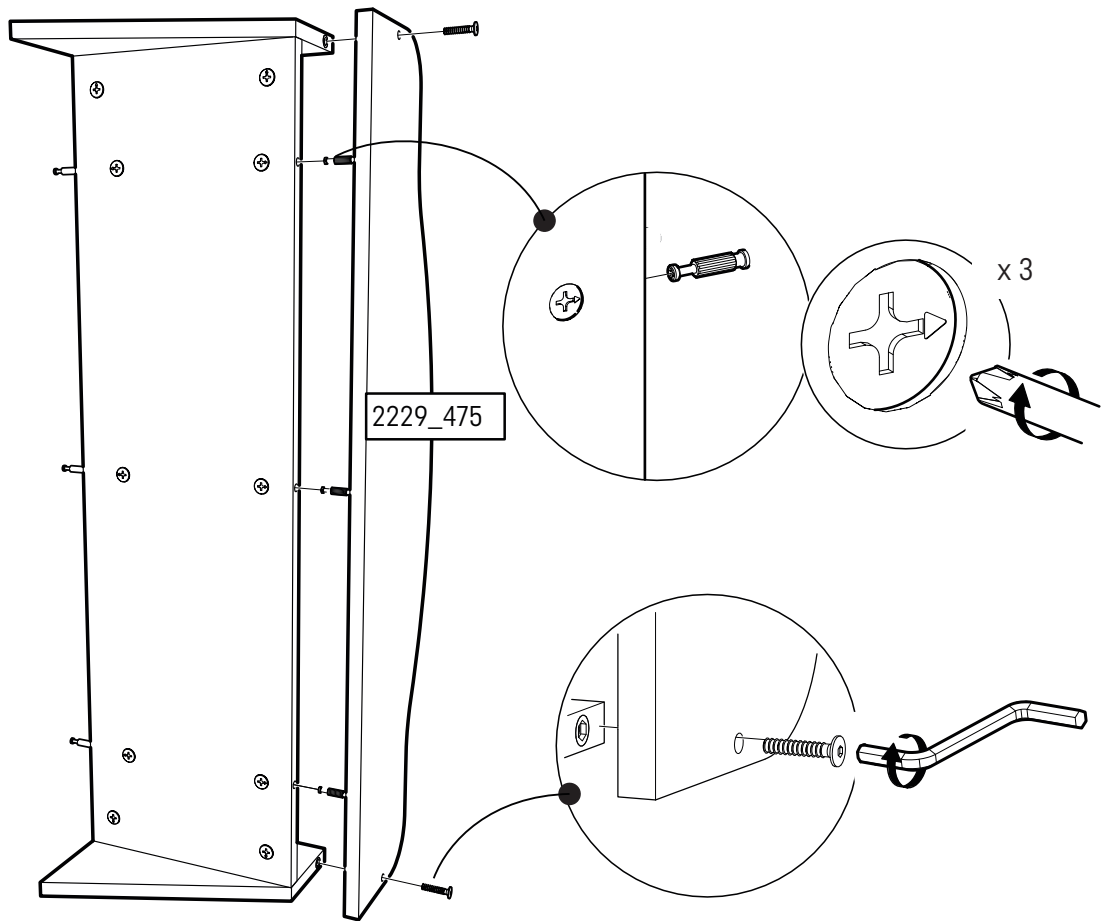


2229\_481

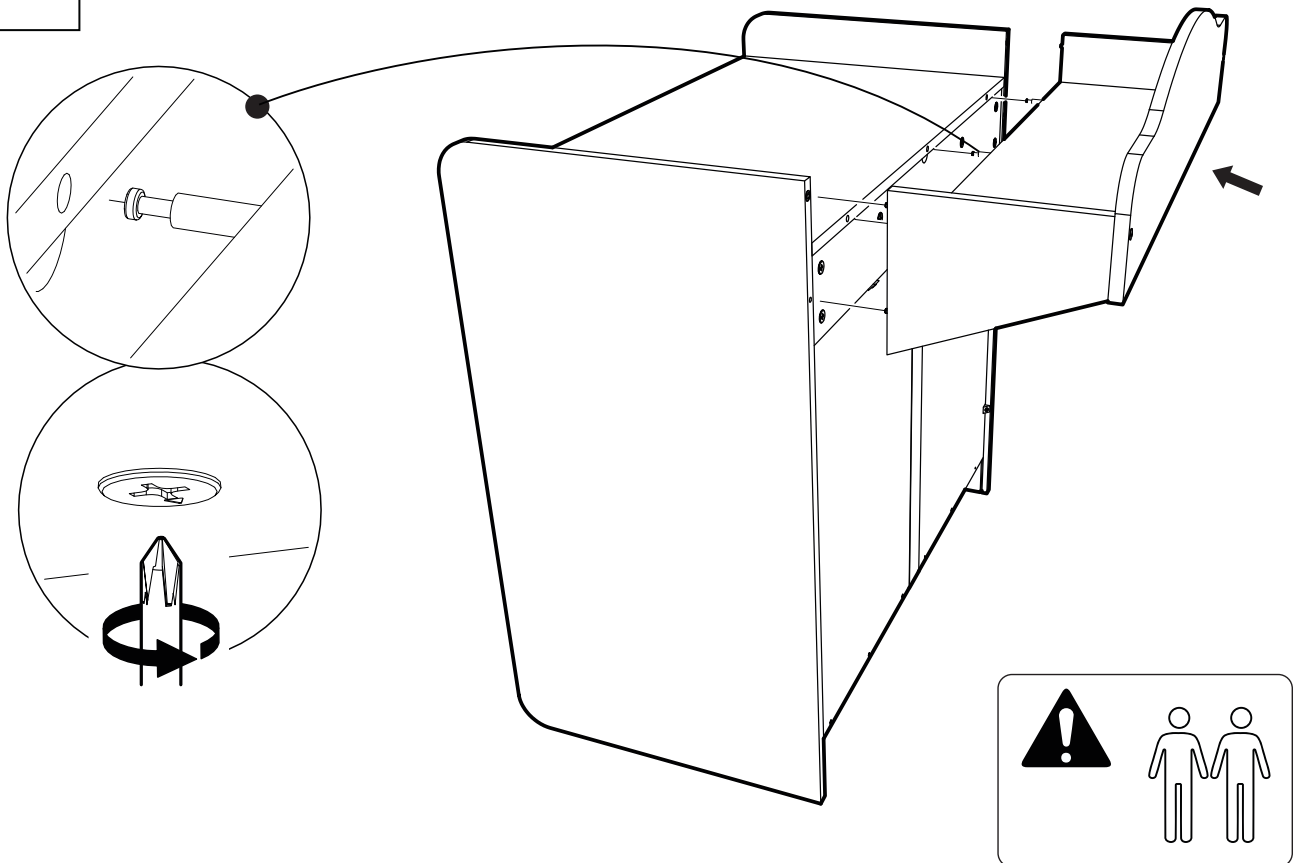
2229\_482



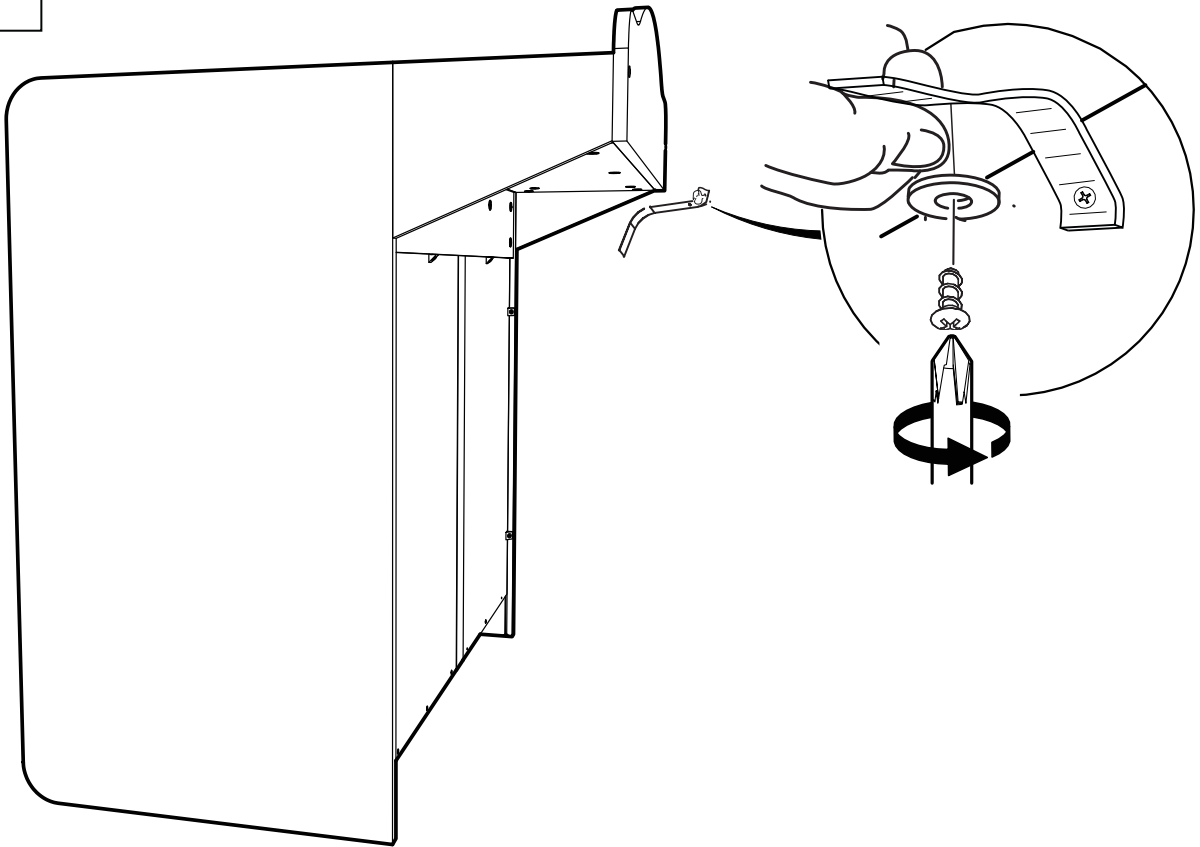
33



34



35



36

