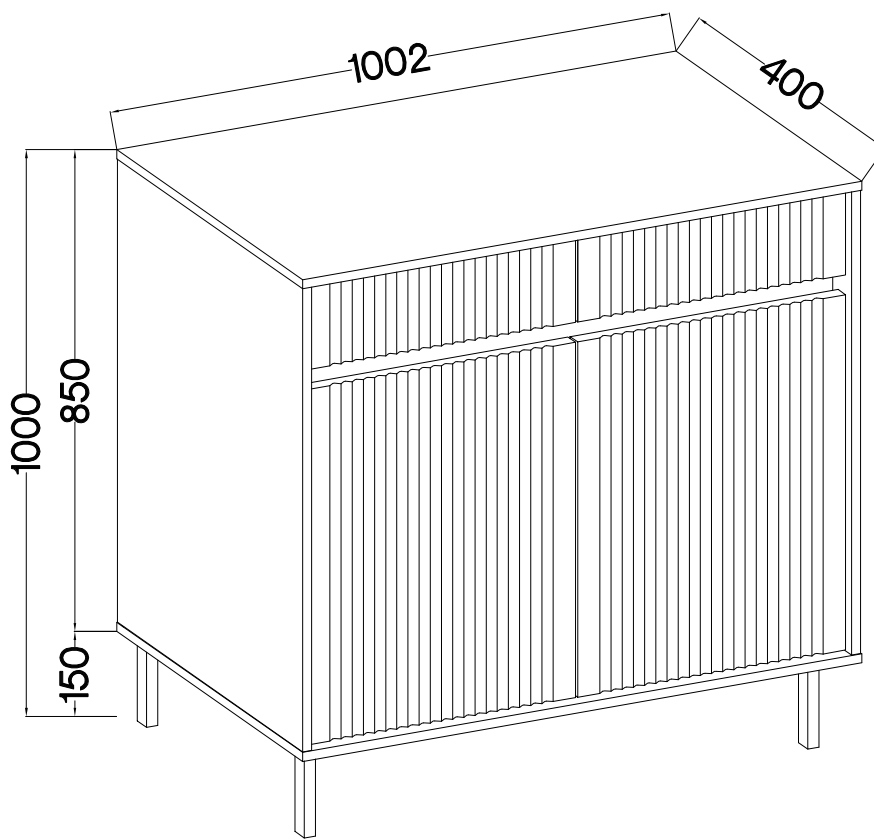
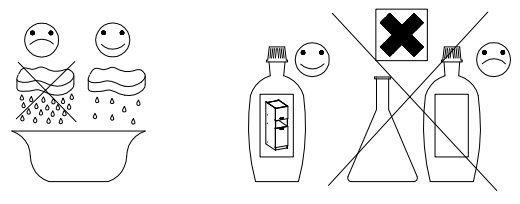
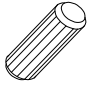




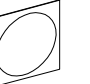
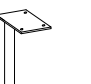

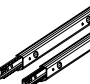
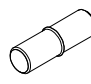

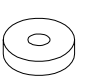
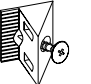
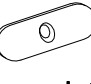










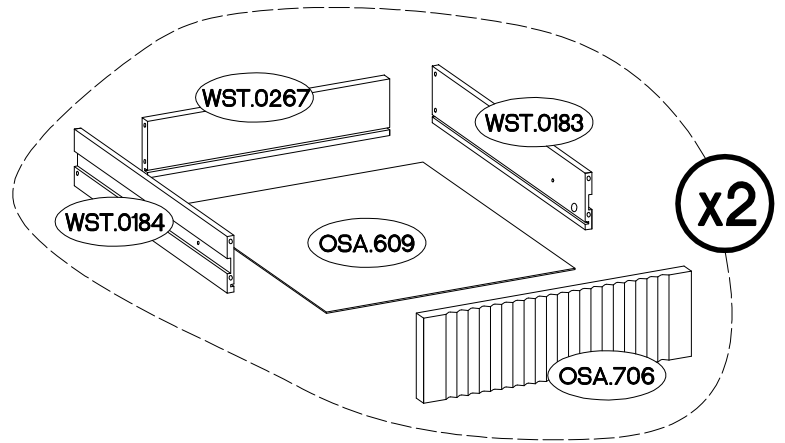
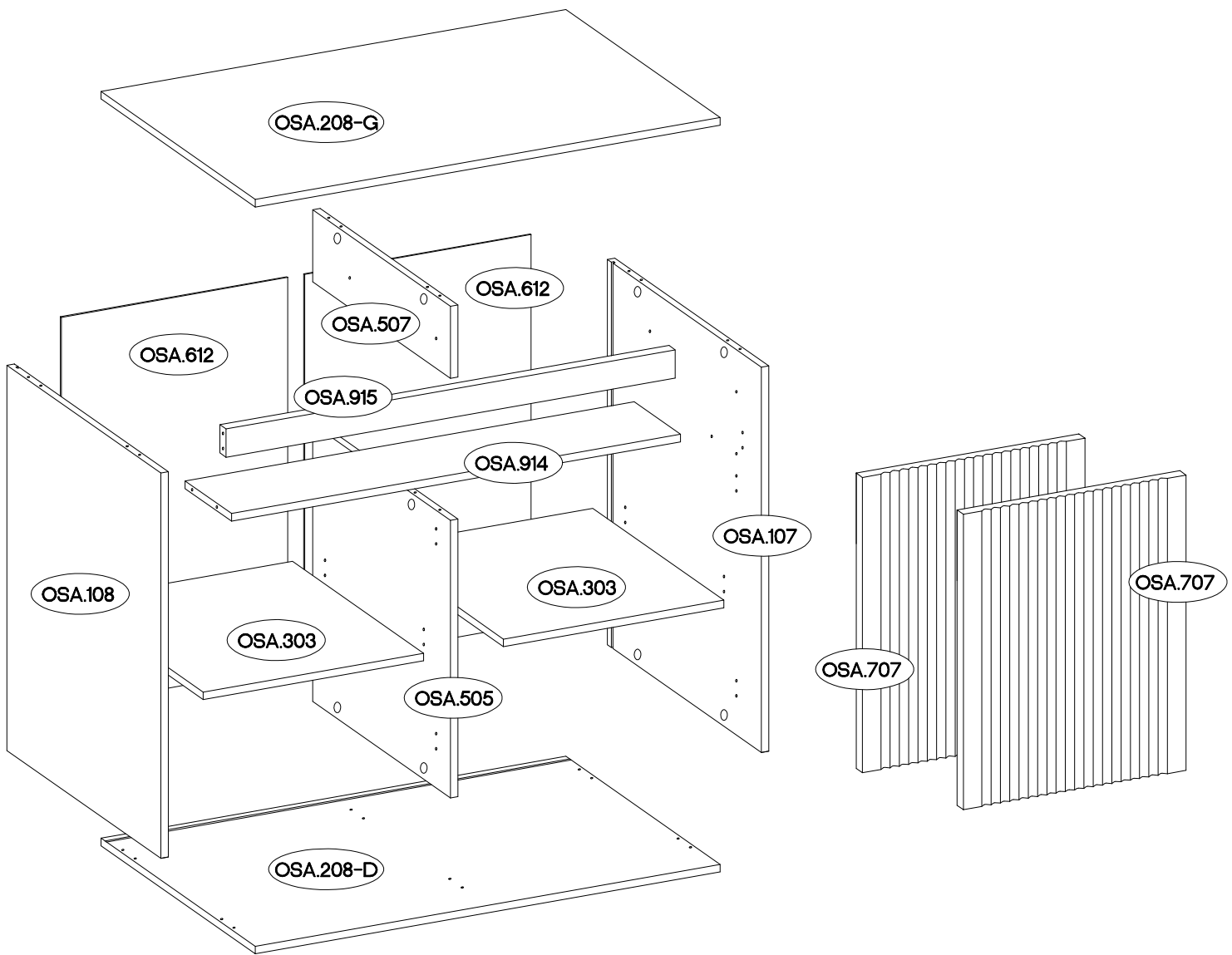


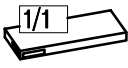
TYP 822

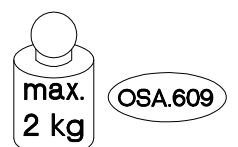
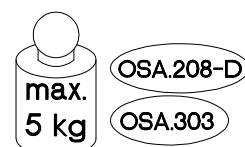
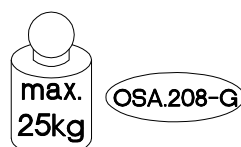


†8x30mm  A	†6x42mm  B2
27	4


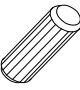
†15/12mm  C	†12/10mm  C5	L=20mm  D2	†20  E11	L=150mm  F34	†35/16mm  HG2	27/310mm  I4	†5/16mm  J3	†7/2mm  J5	†20/8mm  J14	 L
15	4	19	9	4	4	2	8	2	4	18
 L2	 L9	†6,3x13mm  M2	†6,3x20mm  M3	†10x50mm  O7	†4,0x16mm  P1	†3,5x13mm  P5	†3,0x20mm  P7	†4,0x16mm  R11	 T3	M4x9mm  U1
7	1	4	4	1	4	9	7	12	2	4

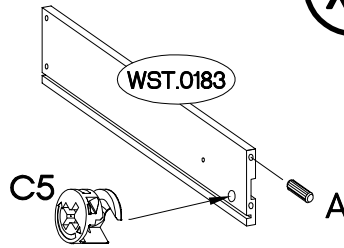
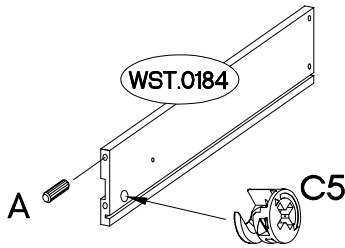
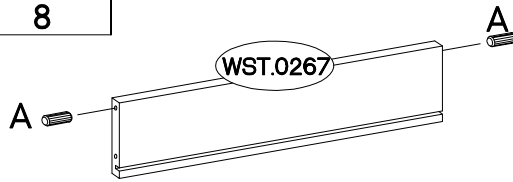
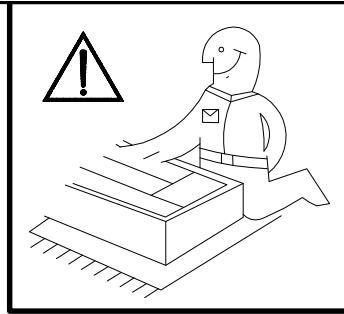


	Ersatzteil Nummer	Dimension
	OSA.107	818x399x16
	OSA.108	818x399x16
	OSA.505	589x357x16
	OSA.507	153x357x16
	OSA.208 x2	1002x400x16
	OSA.914	968x120x16
	OSA.915	968x60x16
	OSA.303 x2	475x340x16
	OSA.612 x2	827x488x2,5
	OSA.609 x2	445x327x2,5
	WST.0183 x2	330x100x12
	WST.0184 x2	330x100x12
	WST.0267 x2	434x100x12
	OSA.706 x2	150x480x16
OSA.707 x2	627x480x16	

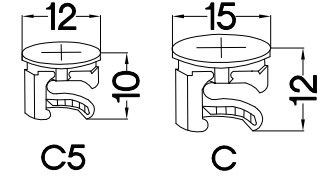
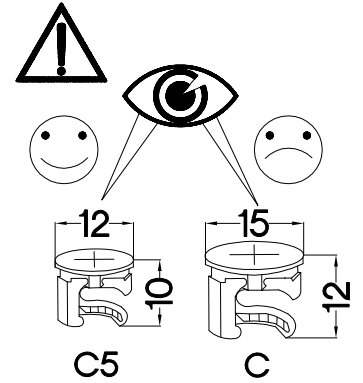


1

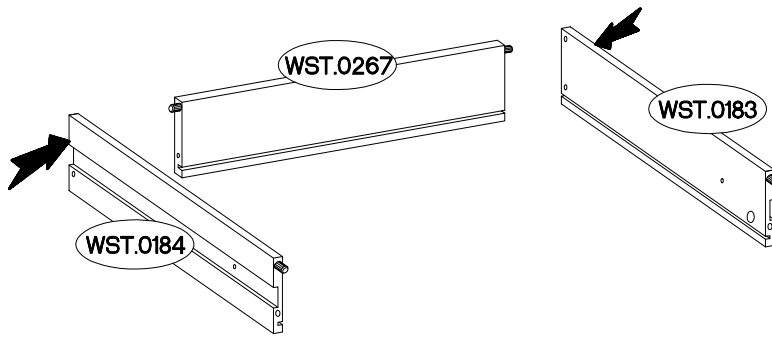
#12/10mm  C5 4	#8x30mm  A 8
---	---




x2

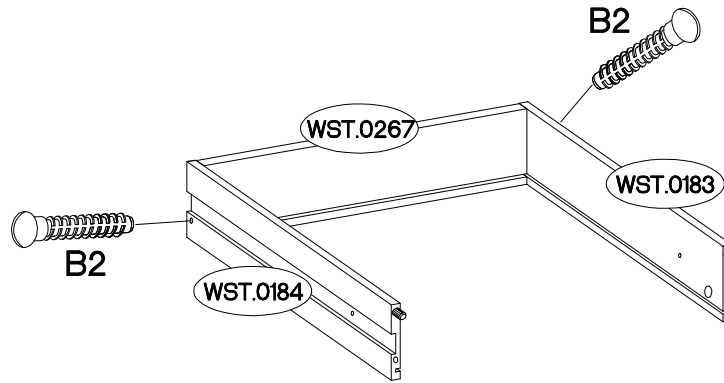
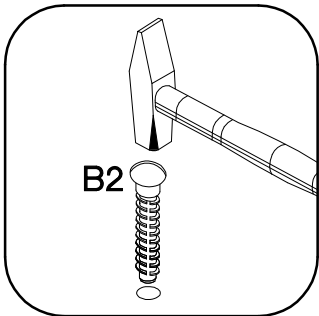


2




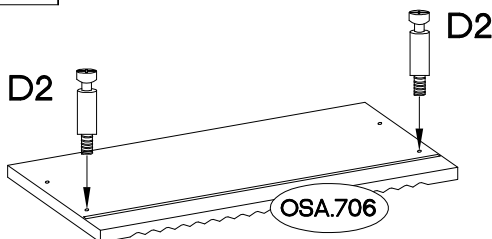
#6x42mm  B2 4
---

x2

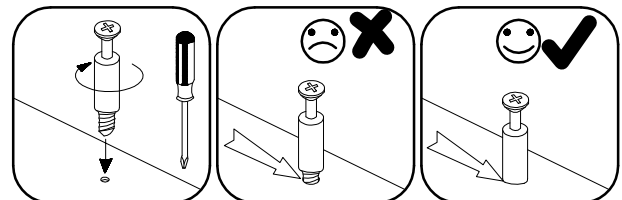


3

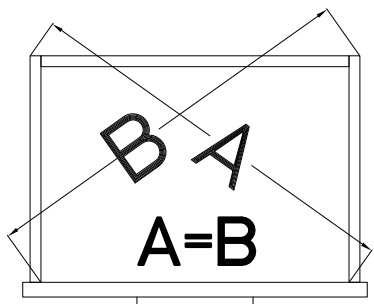
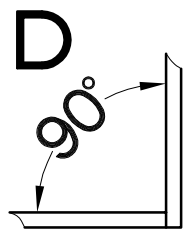
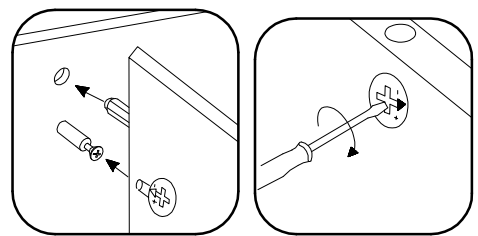
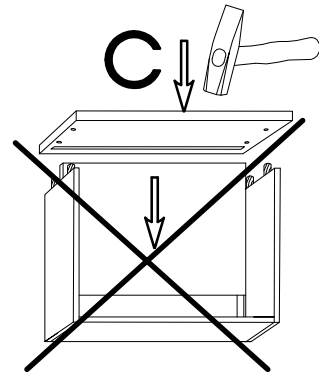
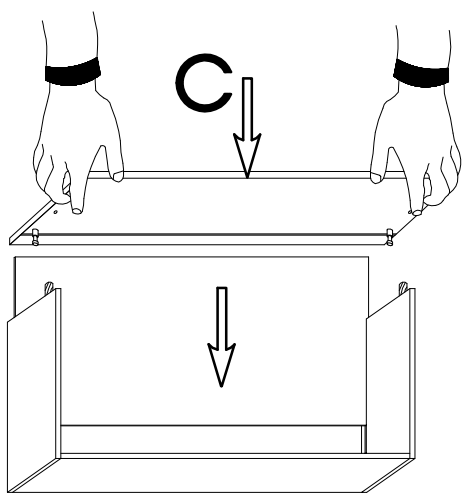
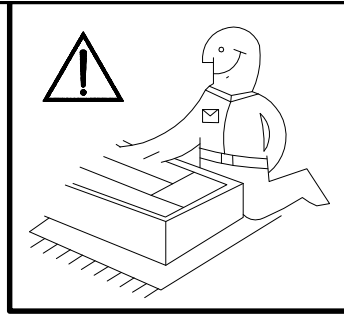
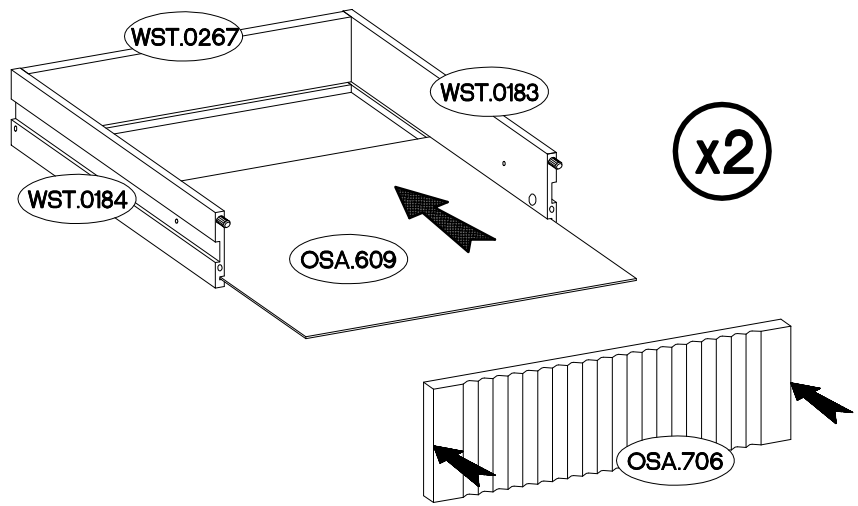
L=20mm  D2 4
--



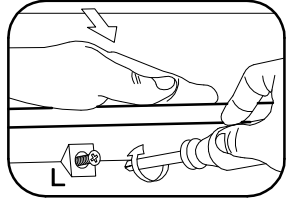
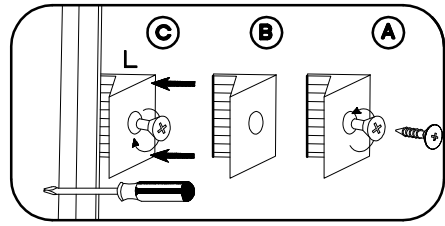
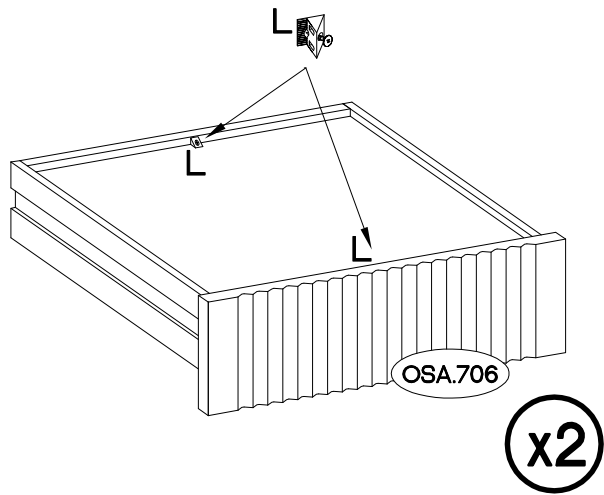
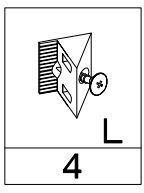
x2

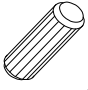


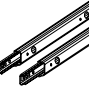


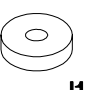


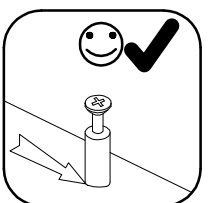
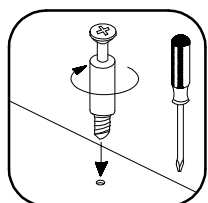
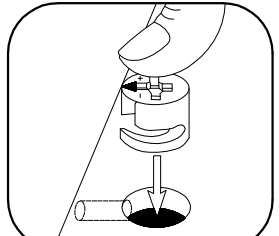
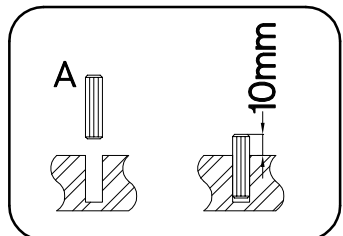
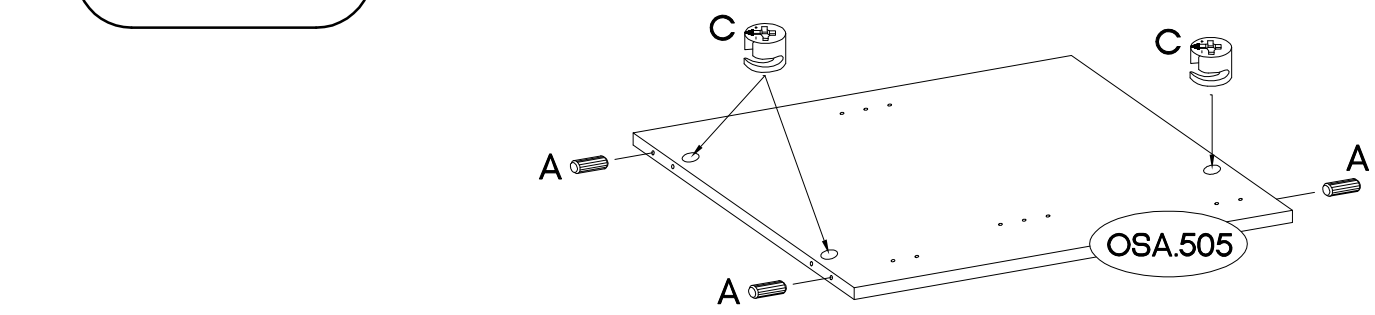
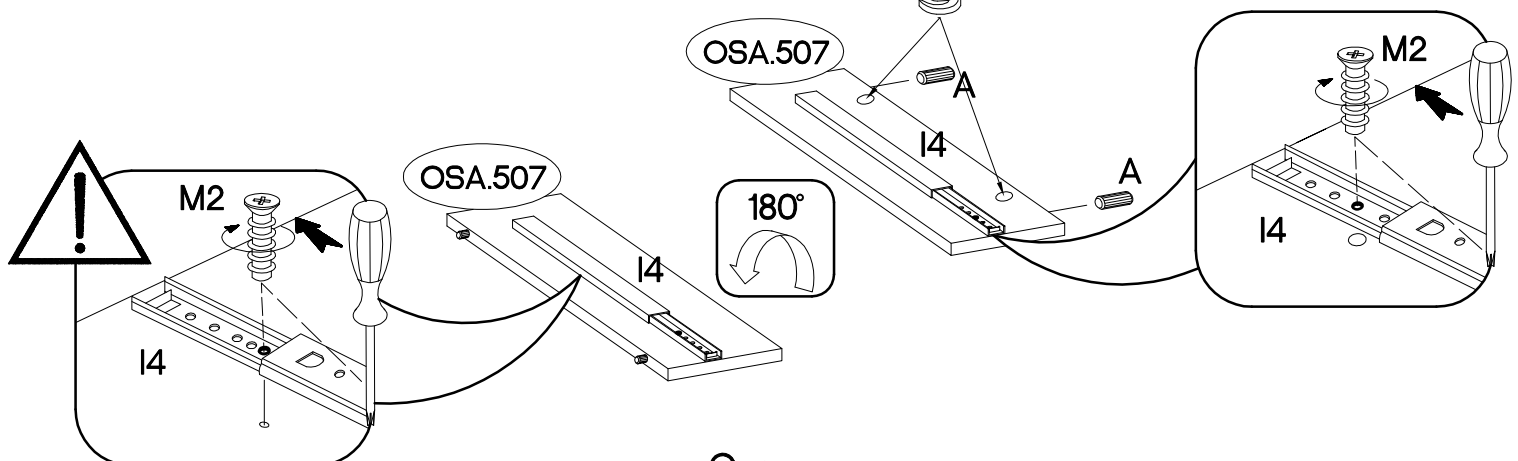
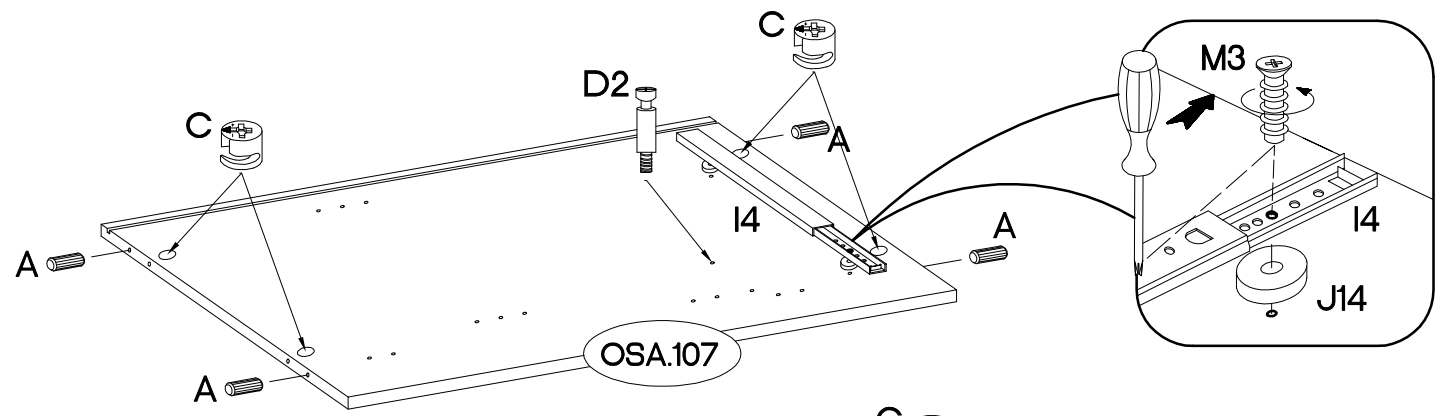
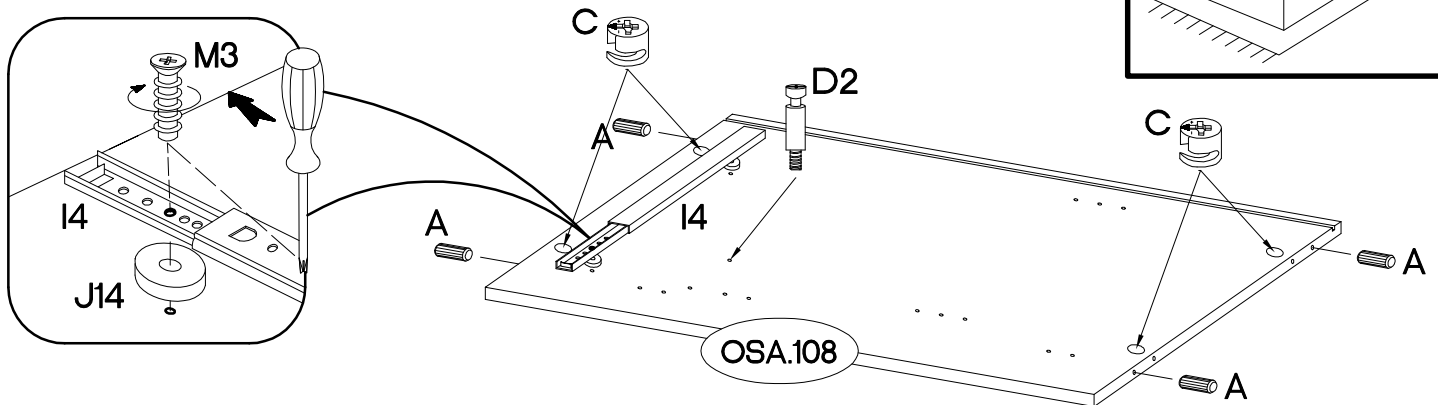
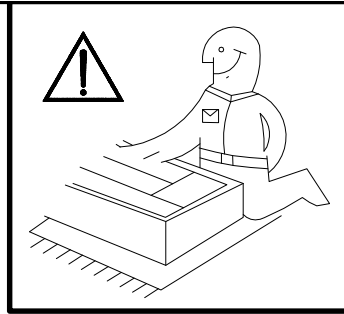
4



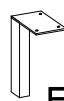

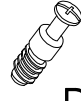
5

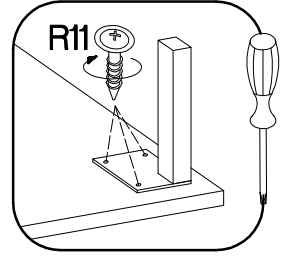
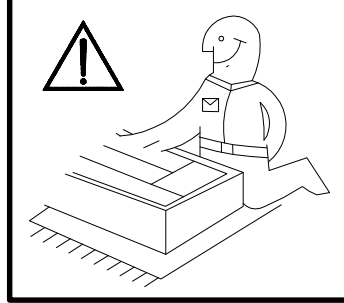
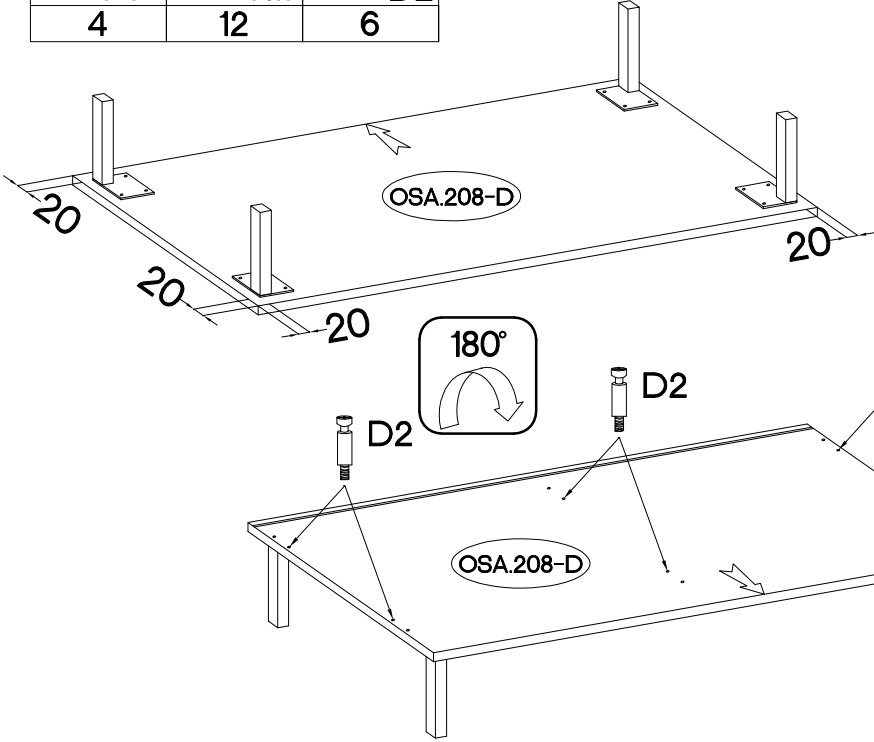


+8x30mm  A 13	+15/12mm  C 13	L=20mm  D2 2	27/310mm  I4 2	+6,3x13mm  M2 4	+6.3x20mm  M3 4	+20/8mm  J14 4
--	---	---	---	--	--	--

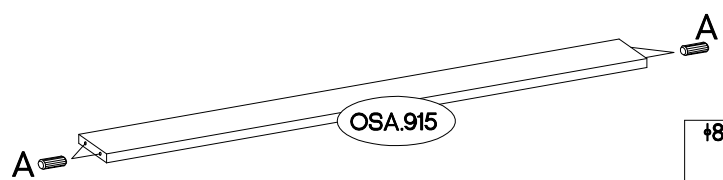
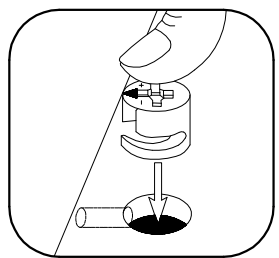
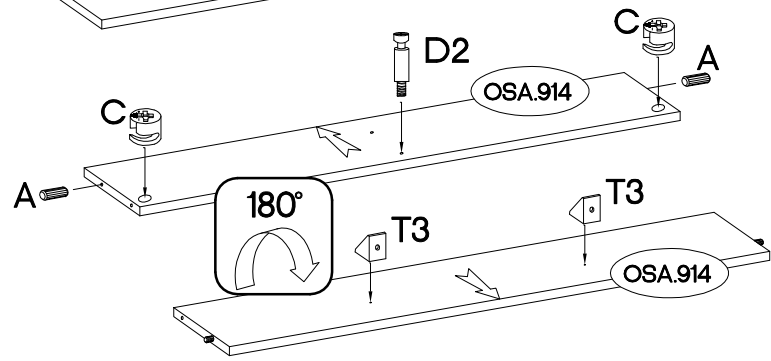
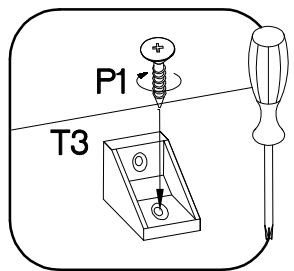
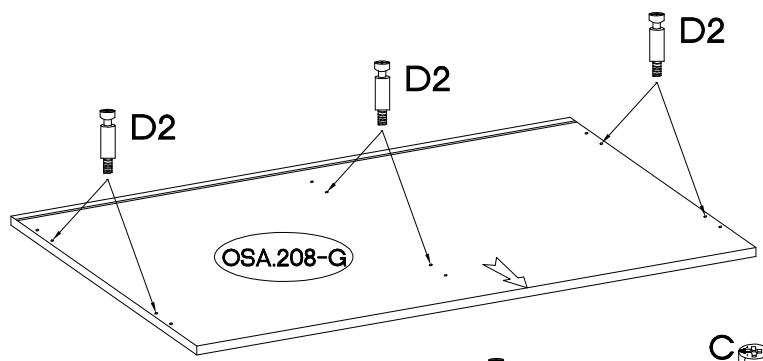
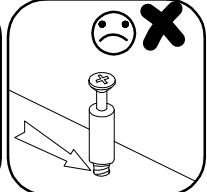
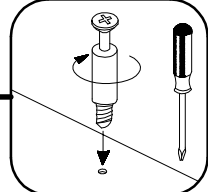
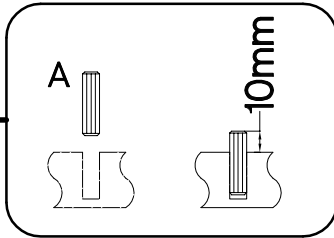





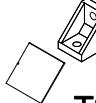

7

L=150mm  F34 4	±4.0x16mm  R11 12	L=20mm  D2 6
---	--	---

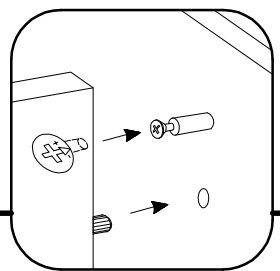
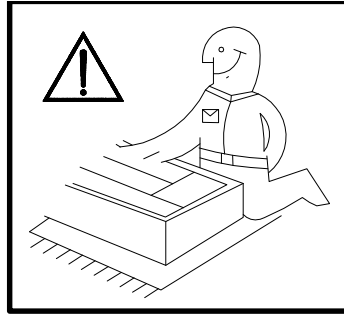
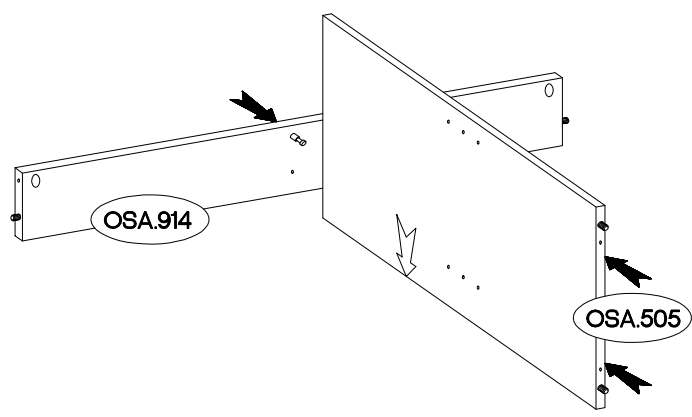


8

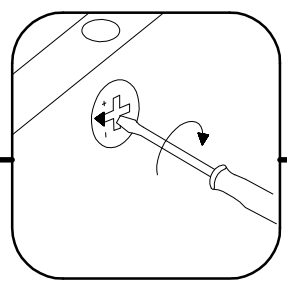
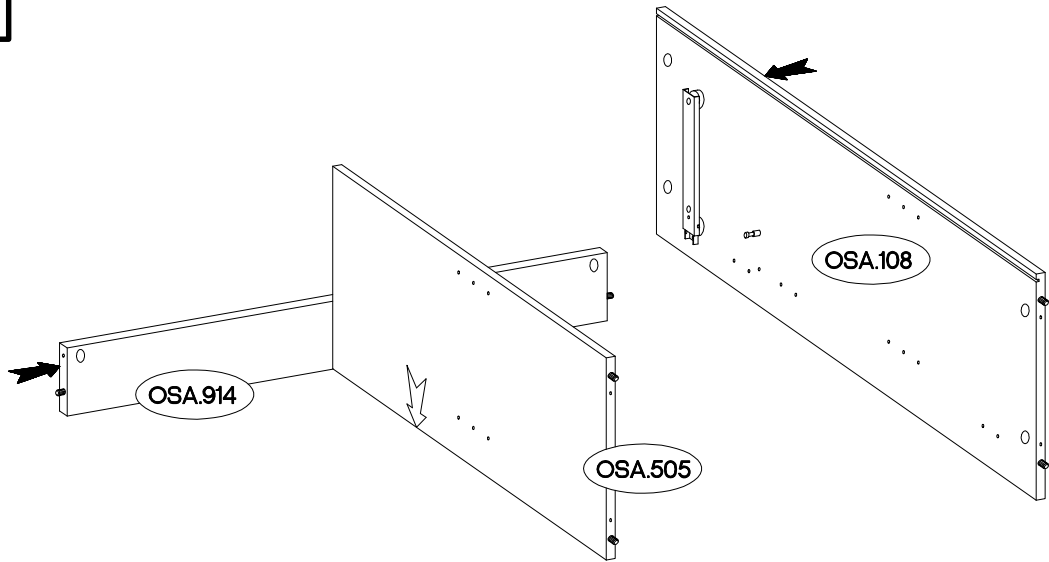


±8x30mm  A 6	±15/12mm  C 2	L=20mm  D2 7	 T3 2	±4.0x16mm  P1 2
--	---	--	--	---

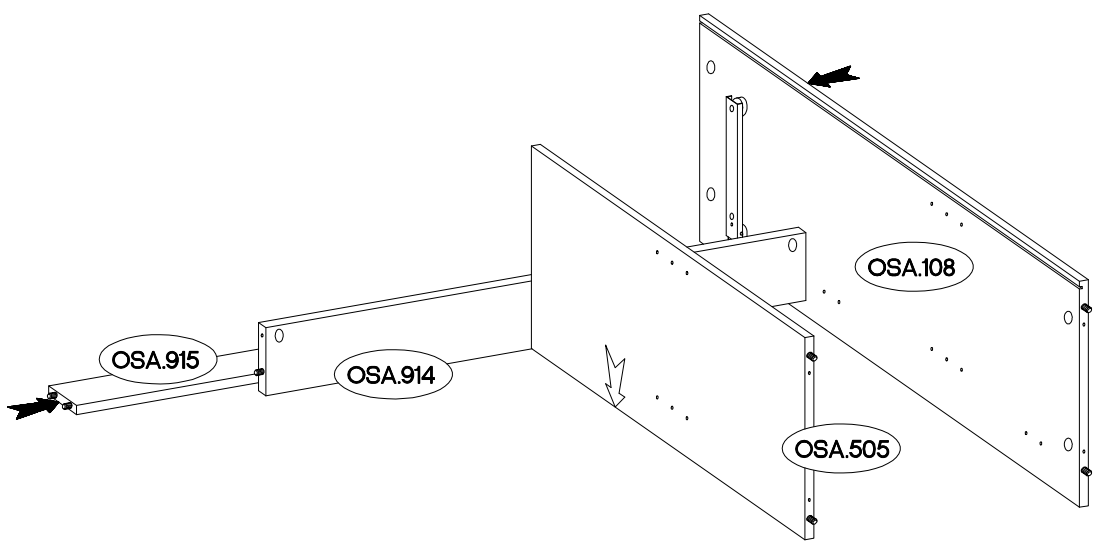
9



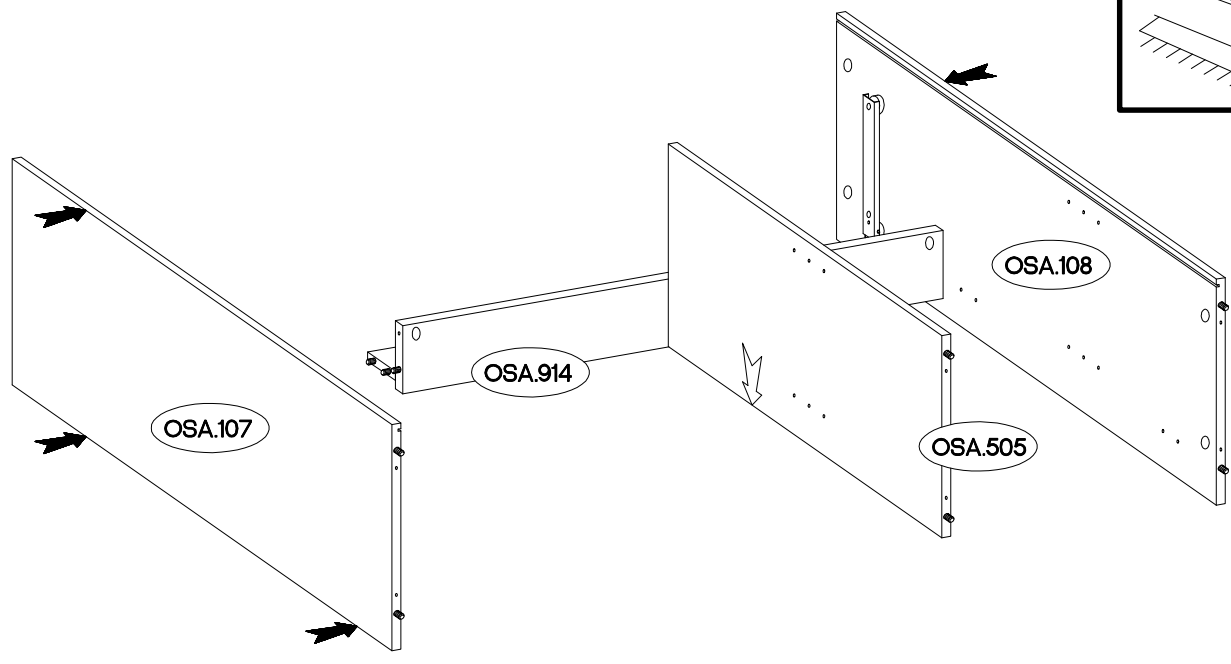
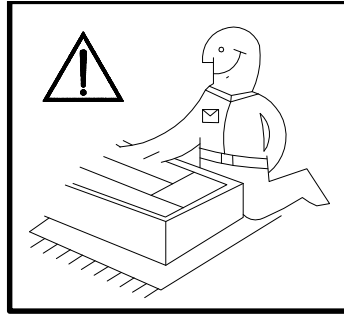
10



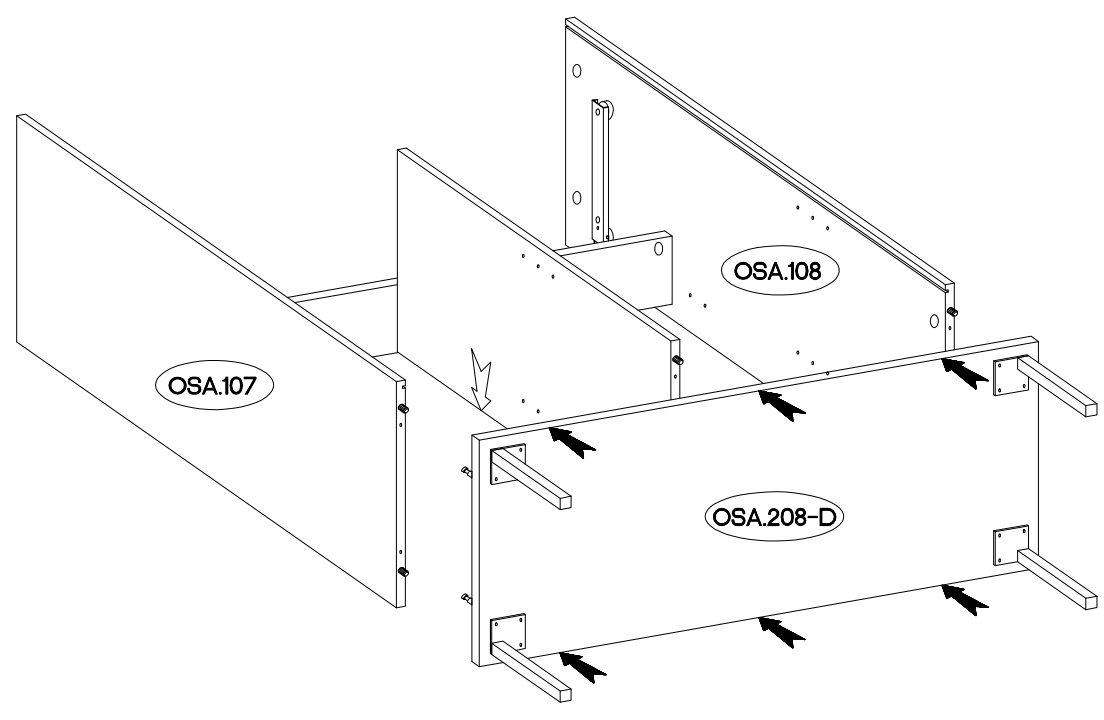
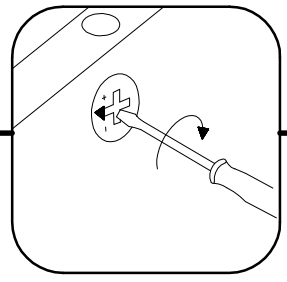
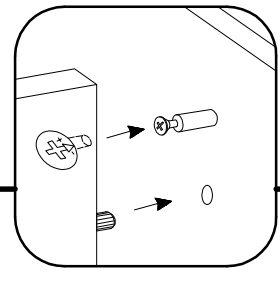
11



12

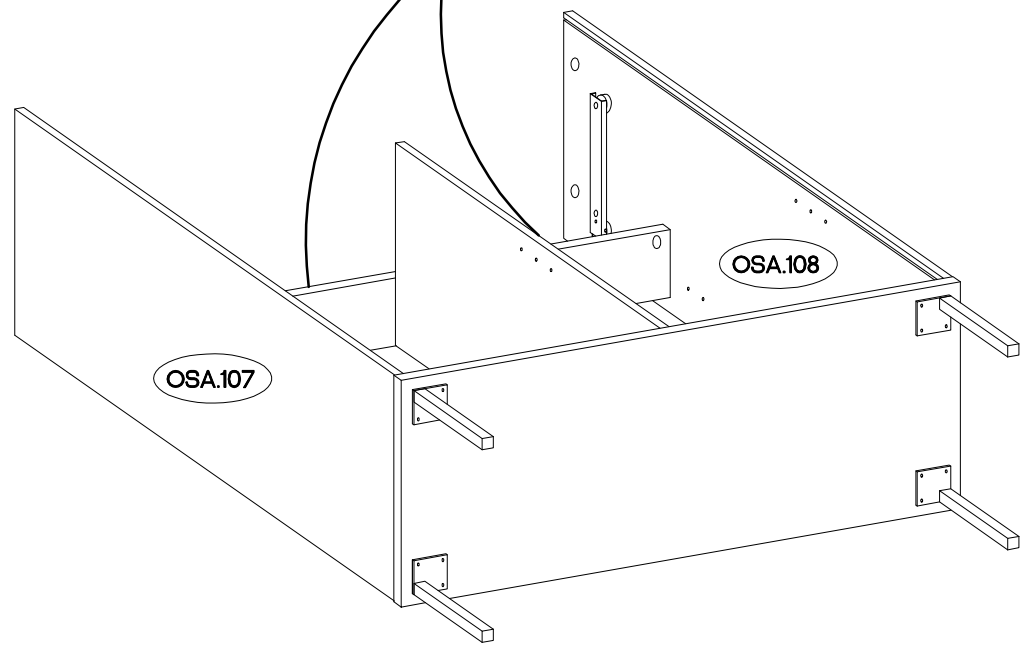
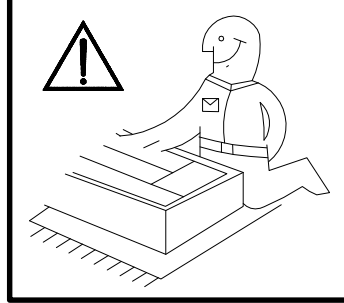
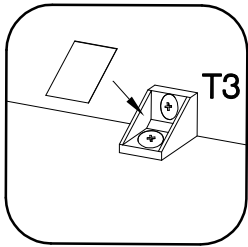
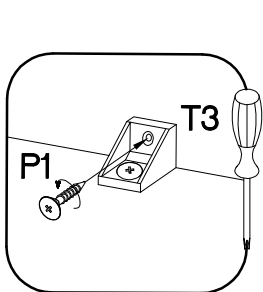


13

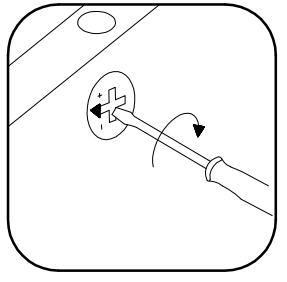
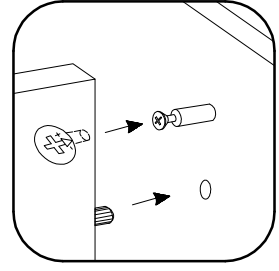
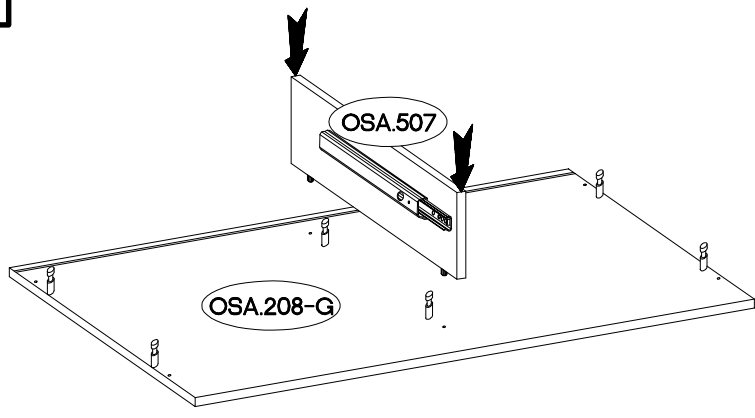


14

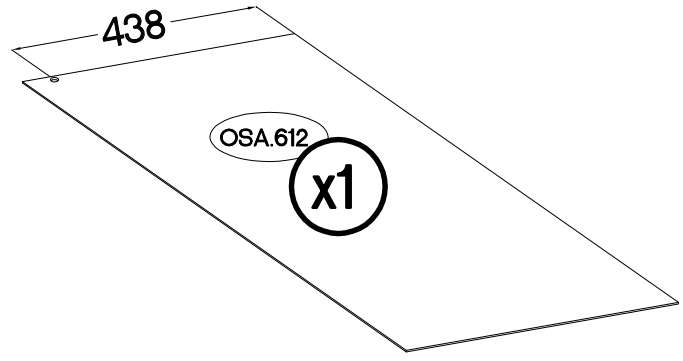
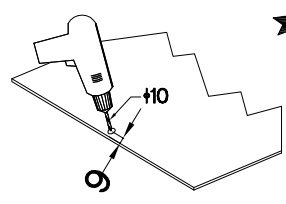
4.0x16mm  
P1  
2



15



16

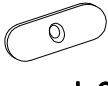


3.0x20mm



P7

7



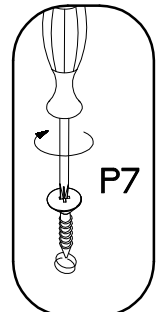
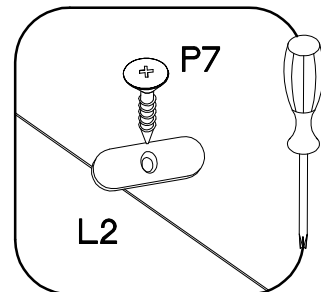
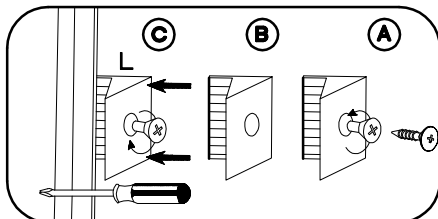
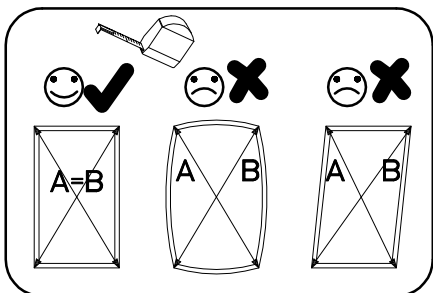
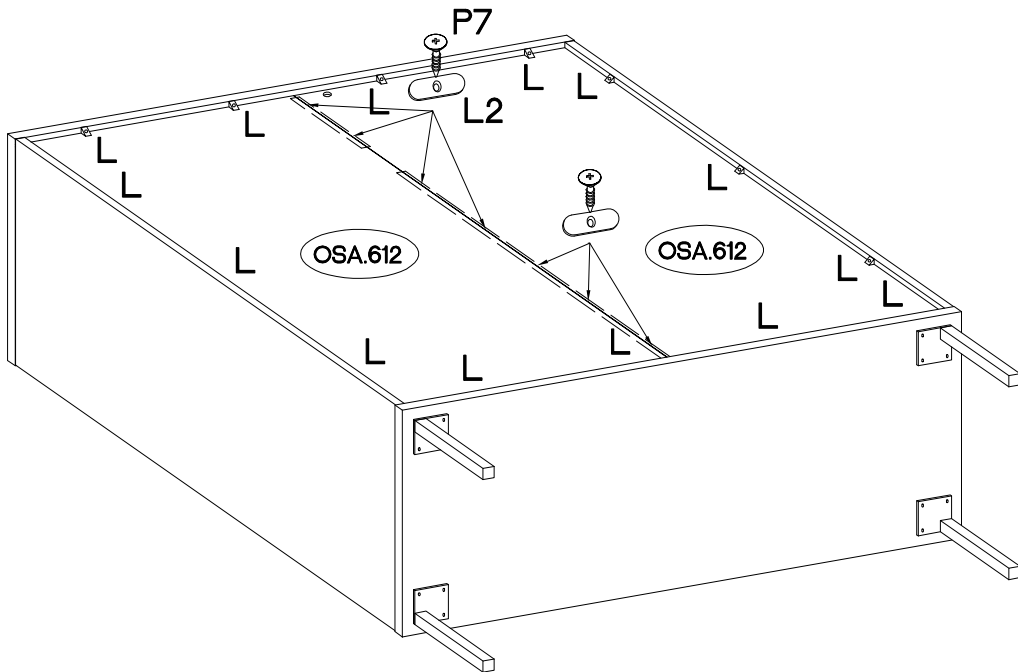
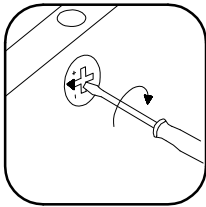
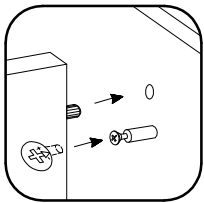
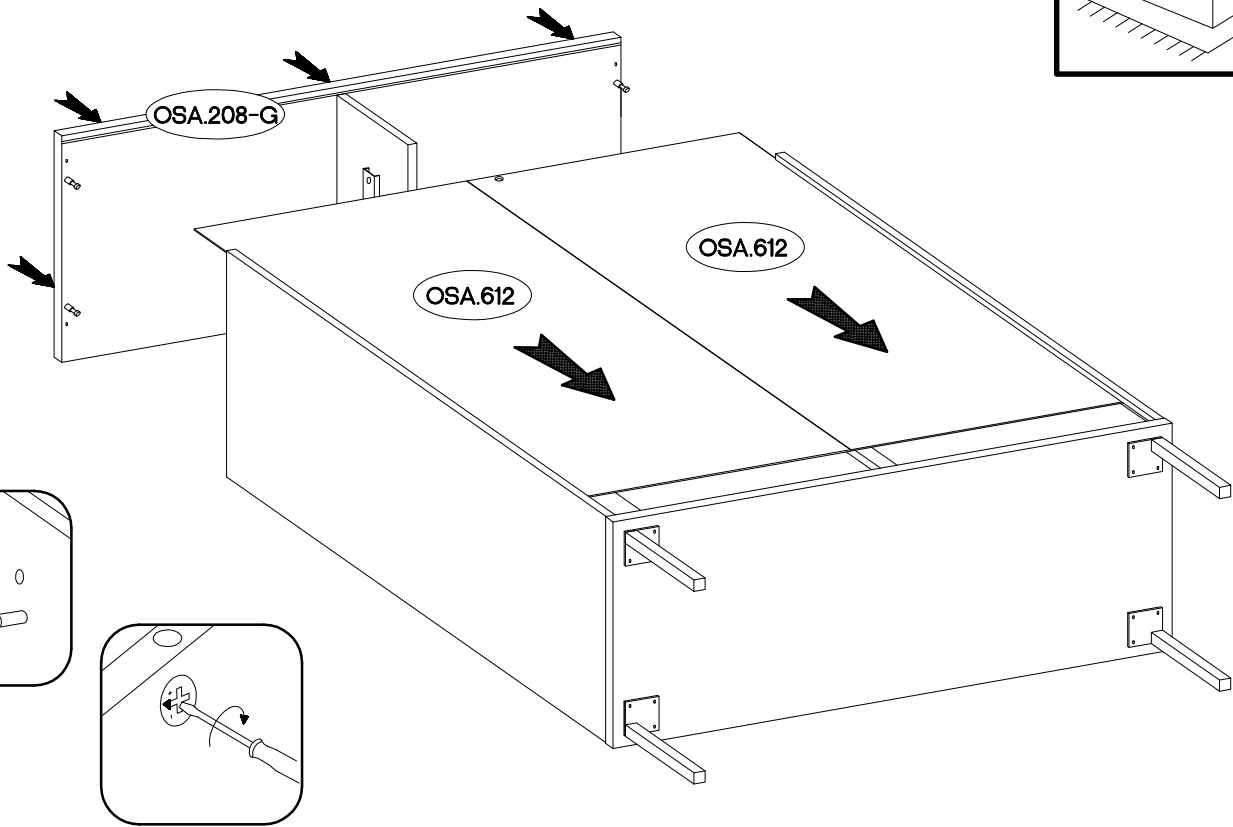
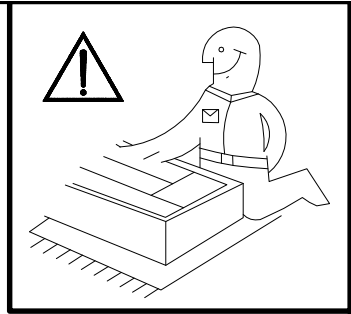
L2

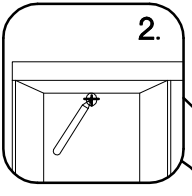
7






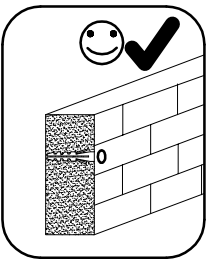
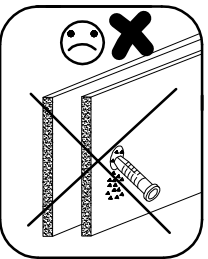
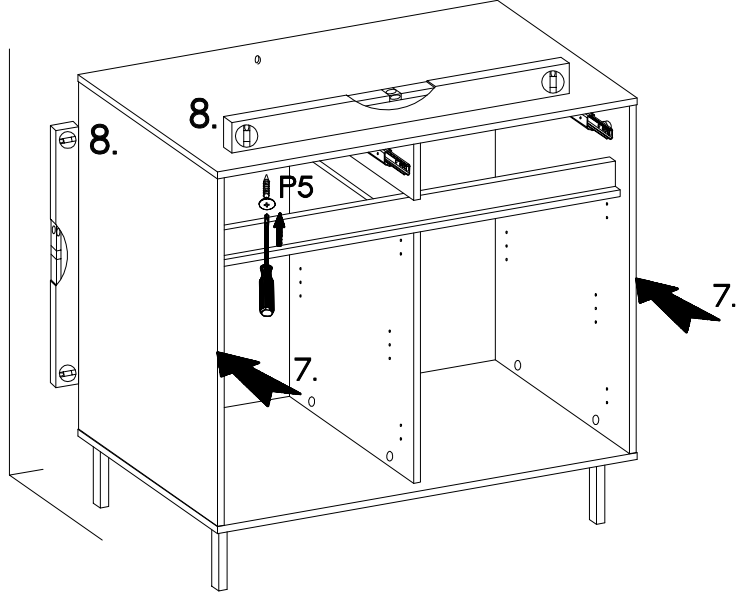
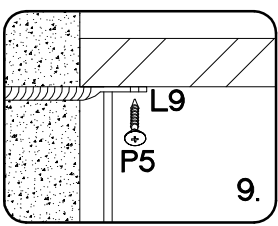
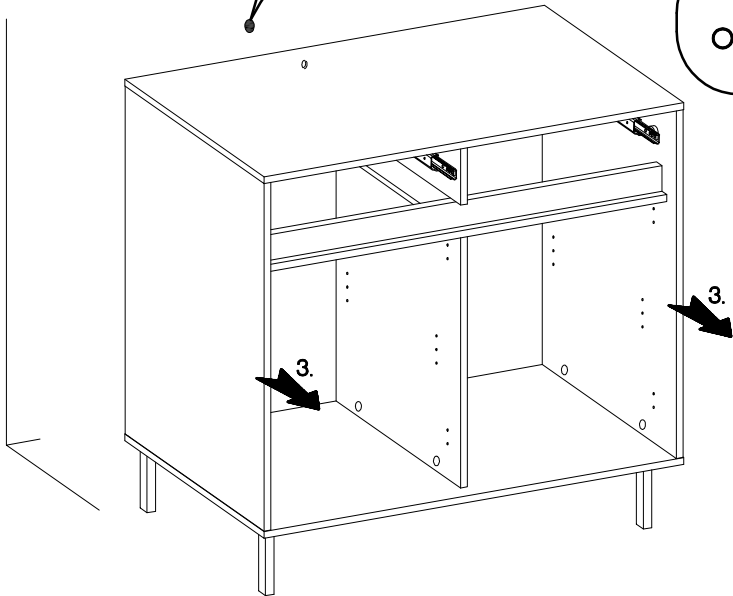
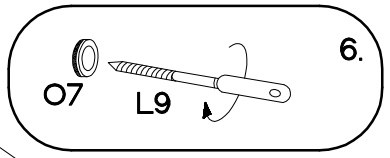
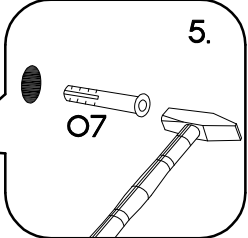
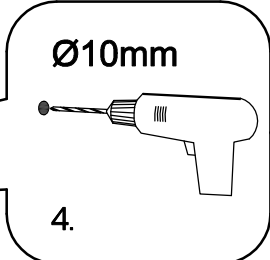
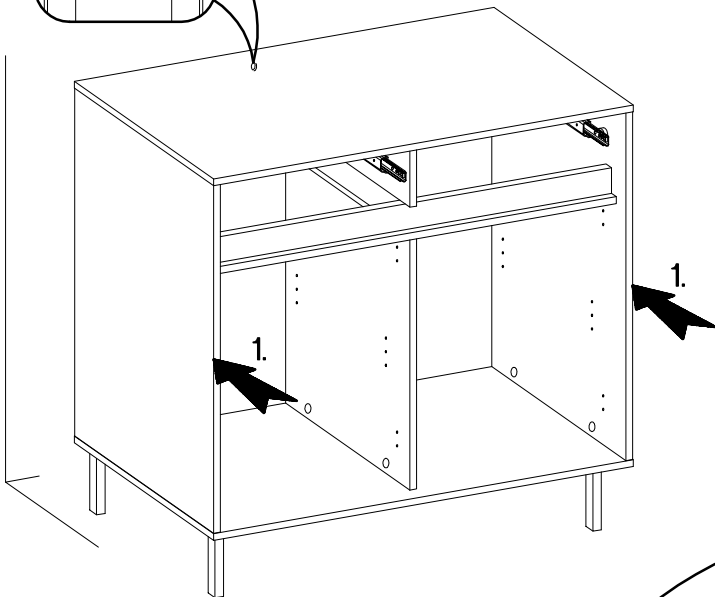
L

14



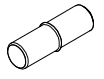


$\pm 10 \times 50 \text{mm}$  <b>O7</b> 1	 <b>L9</b> 1	$\pm 3.5 \times 13 \text{mm}$  <b>P5</b> 1
--	--	--



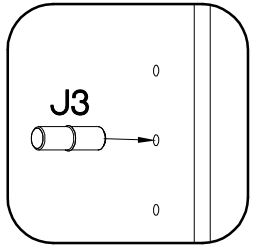
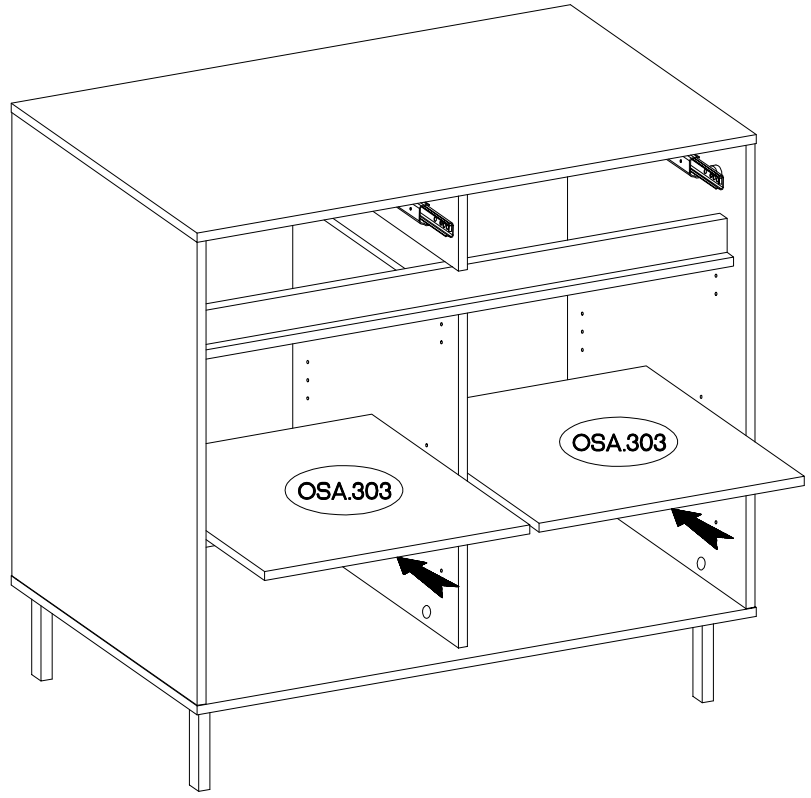
19

±5/16mm




J3

8



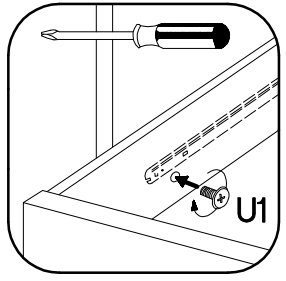
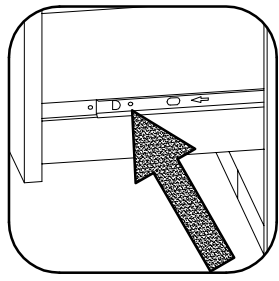
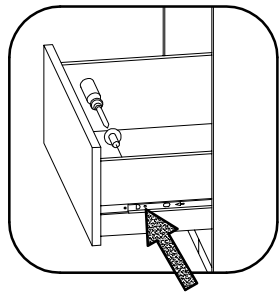
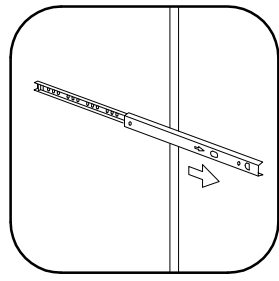
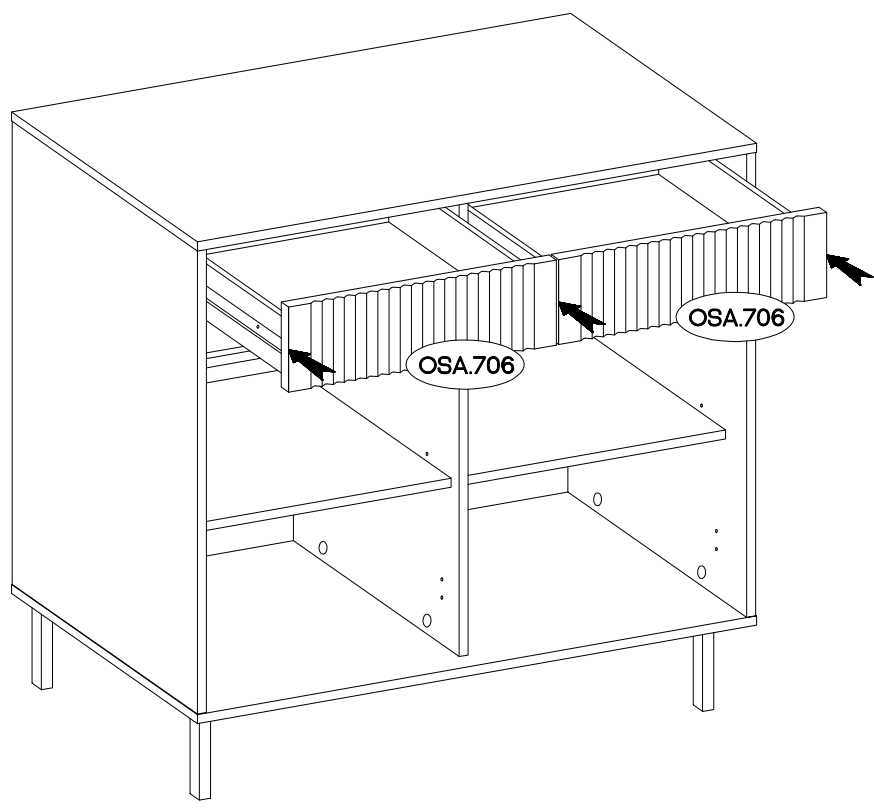
20

M4x9mm

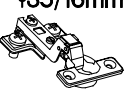



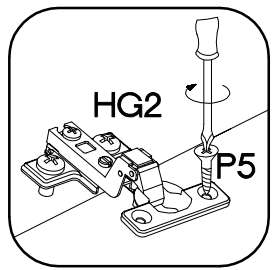
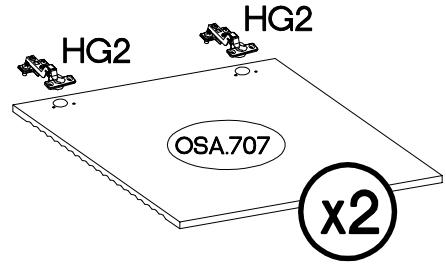
U1

4

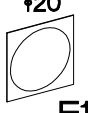



21

$\pm 35/16\text{mm}$ 	$\pm 3.5 \times 13\text{mm}$ 
HG2	P5
4	8



22

$\pm 20$ 	$\pm 7/2\text{mm}$ 
E11	J5
9	2

