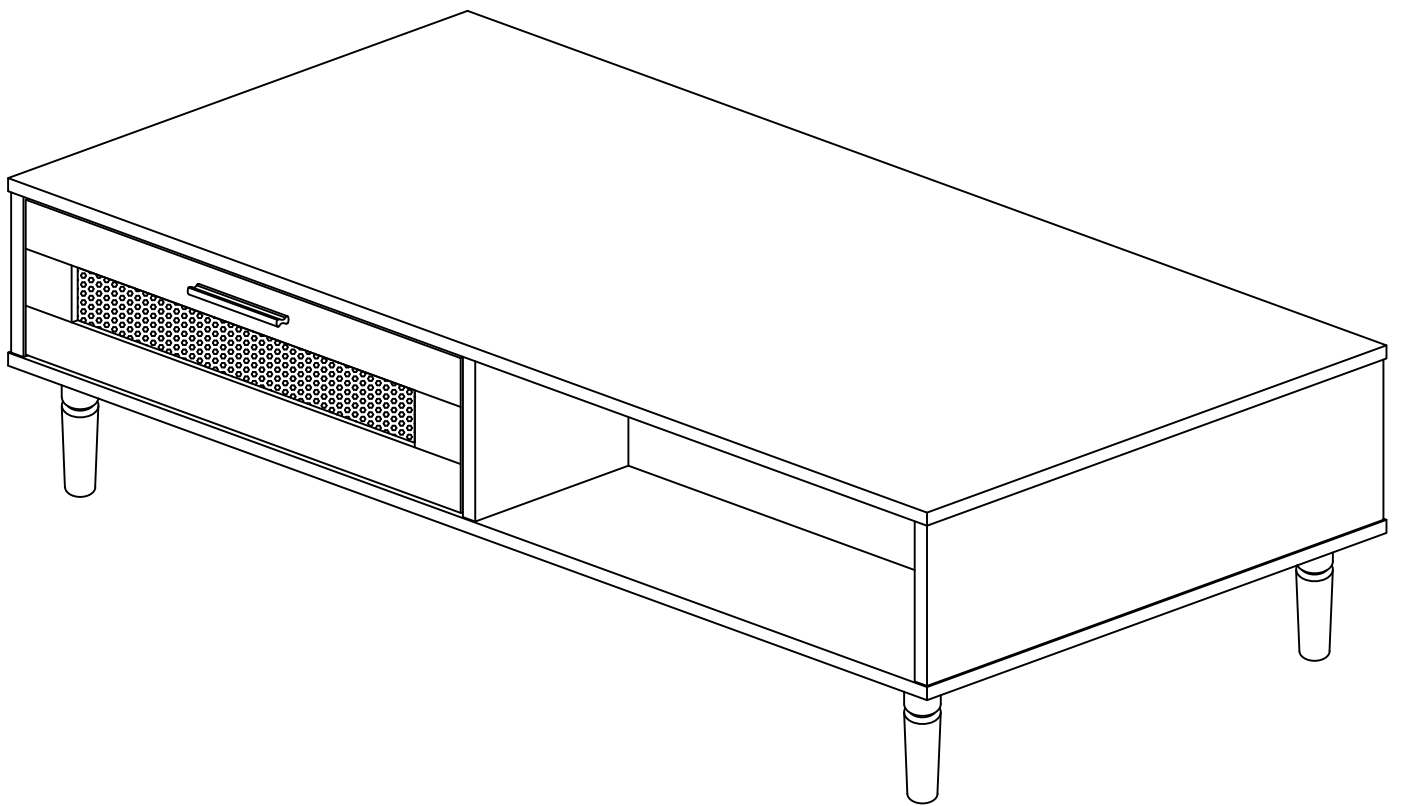


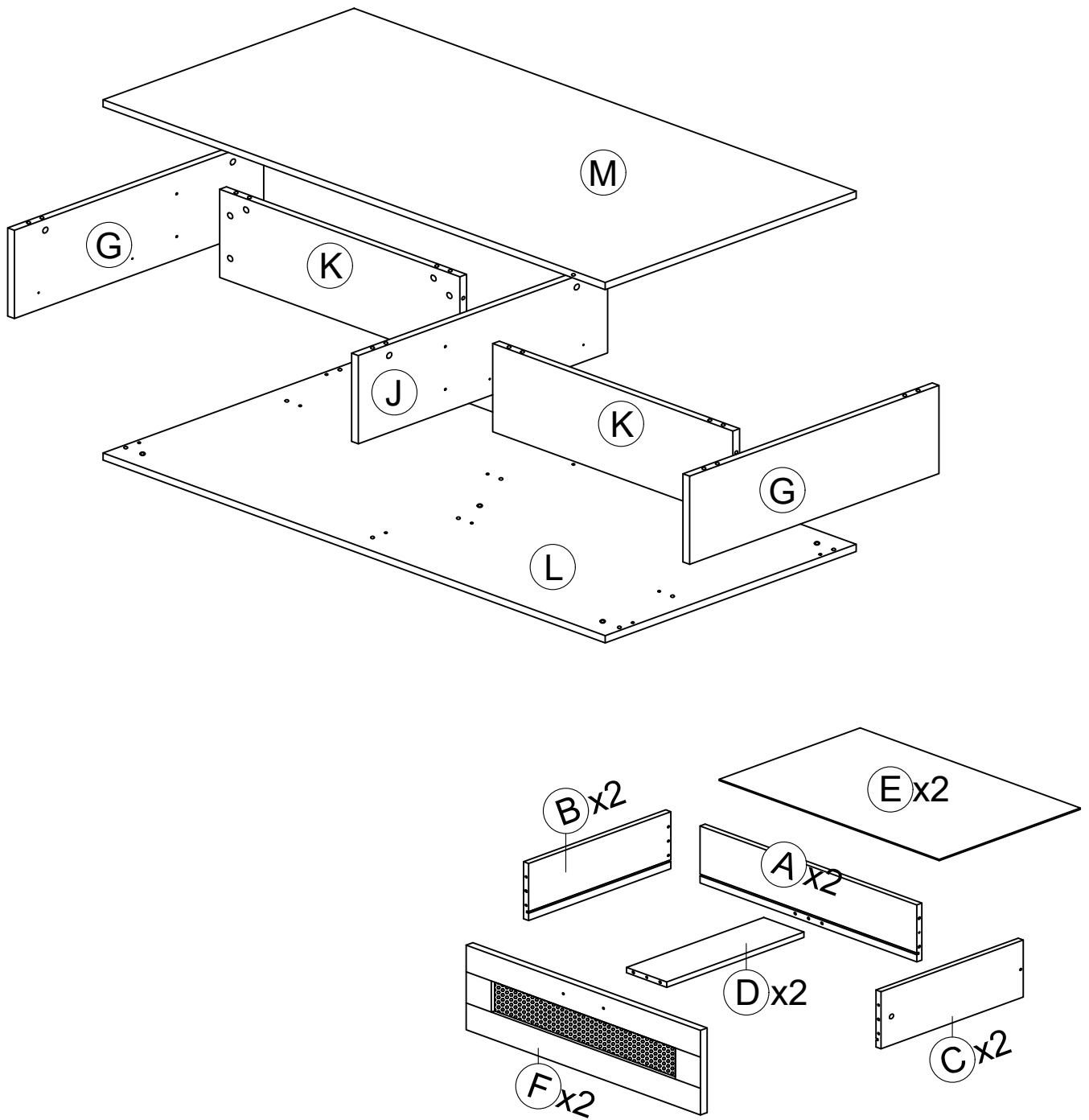
ASSEMBLY INSTRUCTION

CF23

2Drawer Coffee Table

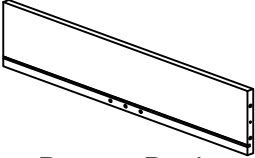

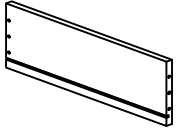

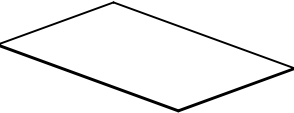
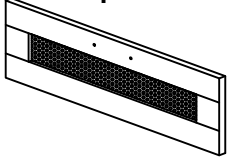
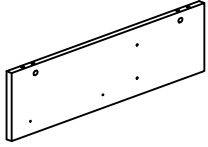
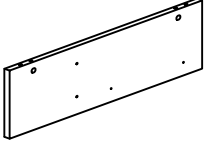
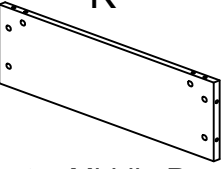
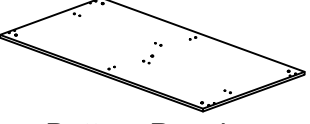
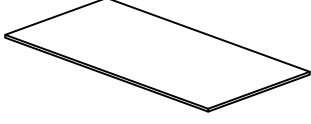


ASSEMBLY INSTRUCTION










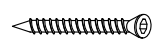


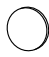

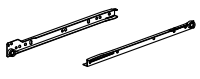
ASSEMBLY INSTRUCTION

PART LIST

<p style="text-align: center;">A</p>  <p style="text-align: center;">Drawer Back 2 PCS</p>	<p style="text-align: center;">B</p>  <p style="text-align: center;">Drawer Side L 2 PCS</p>	<p style="text-align: center;">C</p>  <p style="text-align: center;">Drawer Side R 2 PCS</p>	<p style="text-align: center;">D</p>  <p style="text-align: center;">Drawer Support 2 PCS</p>
<p style="text-align: center;">E</p>  <p style="text-align: center;">Drawer Panel 2 PCS</p>	<p style="text-align: center;">F</p>  <p style="text-align: center;">Drawer Head 2 PCS</p>	<p style="text-align: center;">G</p>  <p style="text-align: center;">Side Panel L/R 2 PCS</p>	<p style="text-align: center;">J</p>  <p style="text-align: center;">Center Panel 1 PCS</p>
<p style="text-align: center;">K</p>  <p style="text-align: center;">Center Middle Panel 2 PCS</p>	<p style="text-align: center;">L</p>  <p style="text-align: center;">Bottom Panel 1 PCS</p>	<p style="text-align: center;">M</p>  <p style="text-align: center;">Top Panel 1 PCS</p>	

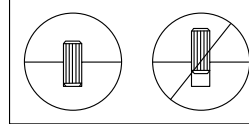
ASSEMBLY INSTRUCTION

HARDWARE LIST

<p>1</p>  <p>Camlock 15MM 18 PCS</p>	<p>2</p>  <p>Camlock Bolt 15MM 18 PCS</p>	<p>3</p>  <p>M8x25MM Wood Dowel 16 PCS</p>	<p>4</p>  <p>M6x30MM Wood Dowel 24 PCS</p>
<p>5</p>  <p>CB Screw M3.5x16MM 24 PCS</p>	<p>6</p>  <p>Handle Screw M4x22MM 4 PCS</p>	<p>7</p>  <p>M4x38MM Screw 6 PCS</p>	<p>8</p>  <p>Csk M6x50MM 8 PCS</p>
<p>9</p>  <p>Handle 7050 2 PCS</p>	<p>10</p>  <p>Wooden Leg 5 PCS</p>	<p>11</p>  <p>Sticker 4 PCS</p>	<p>12</p>  <p>M4 Allen Key 1 PCS</p>
<p>13</p>  <p>Drawer Slide 12" 4 PCS</p>			

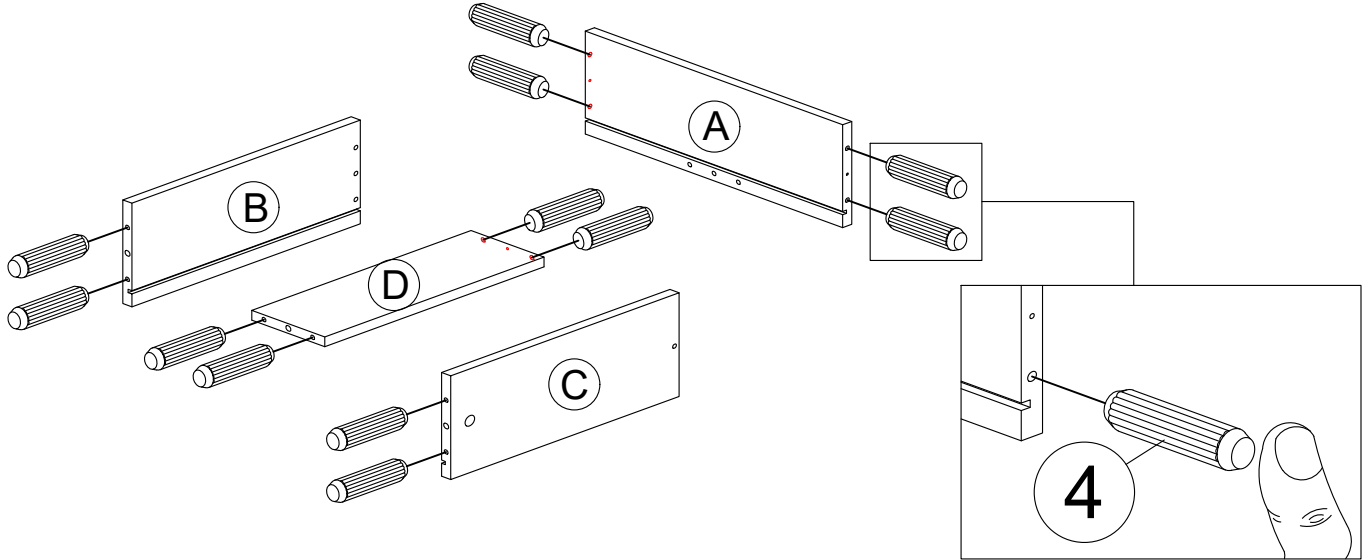
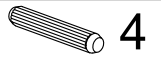
ASSEMBLY INSTRUCTION

Step 1



Required/Requis/Requerido

x24

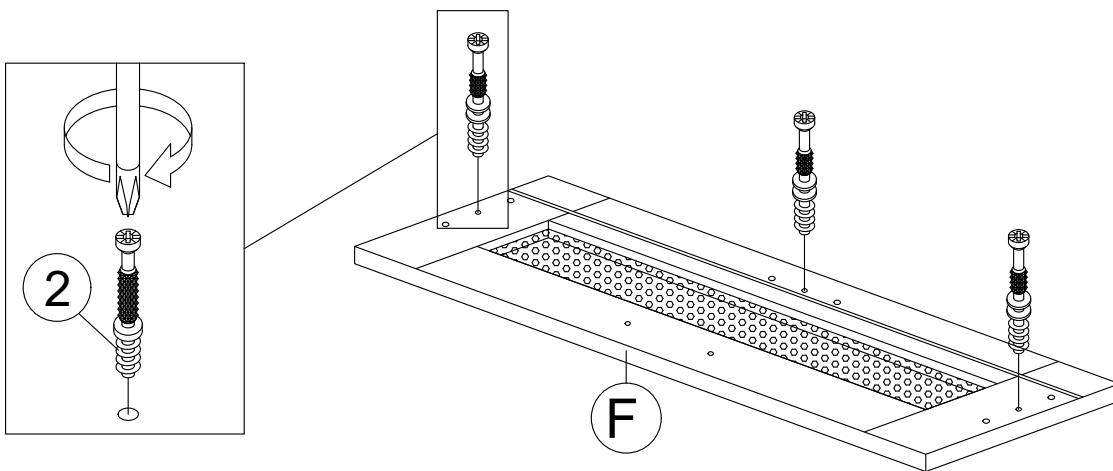


x2

Step 2

Required/Requis/Requerido

x6



Back View

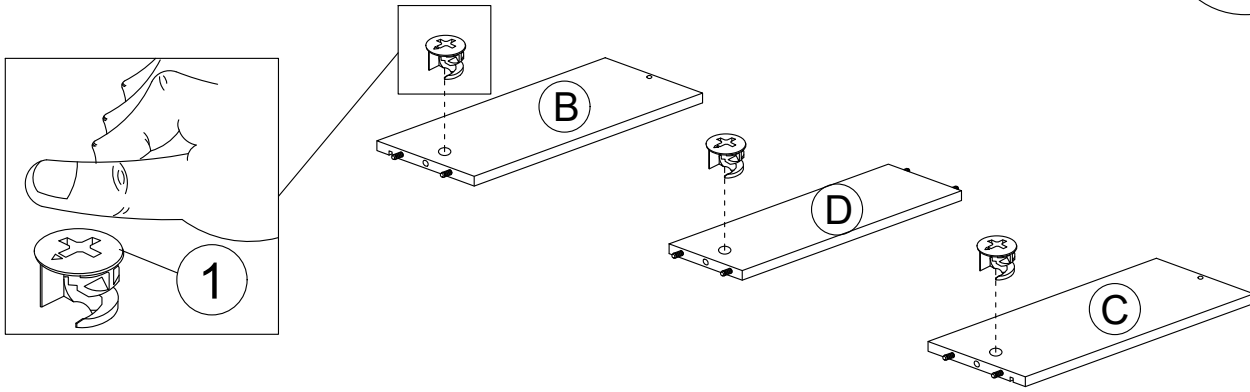
x2

ASSEMBLY INSTRUCTION

Step 3

Required/Requis/Requerido

x6

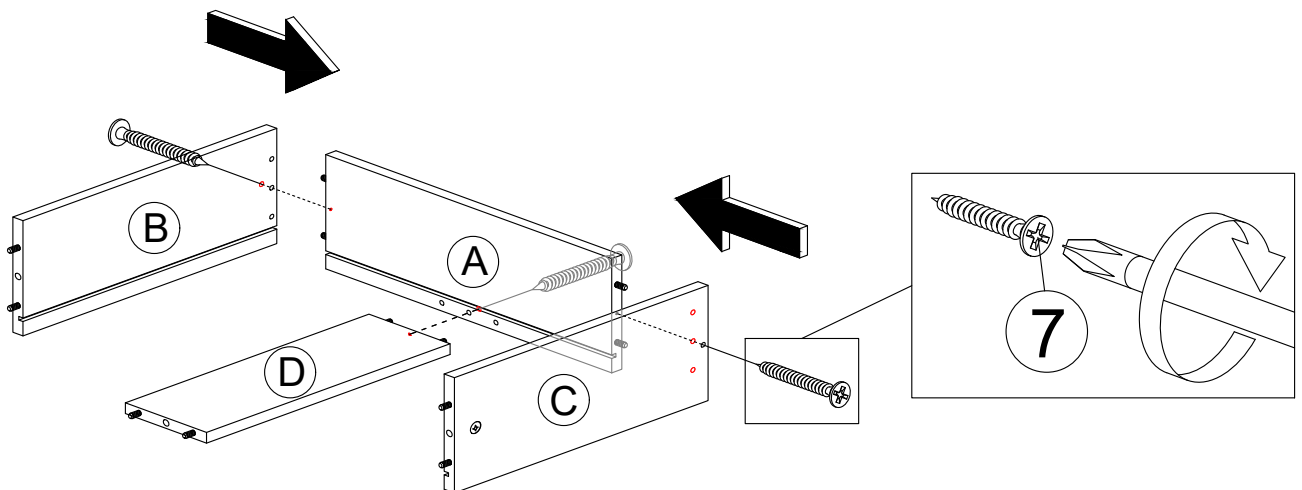


x2

Step 4

Required/Requis/Requerido

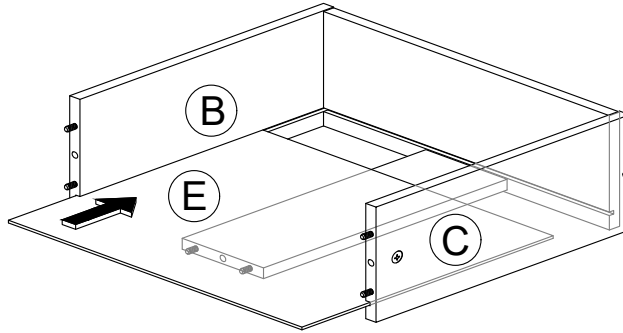
x6



x2

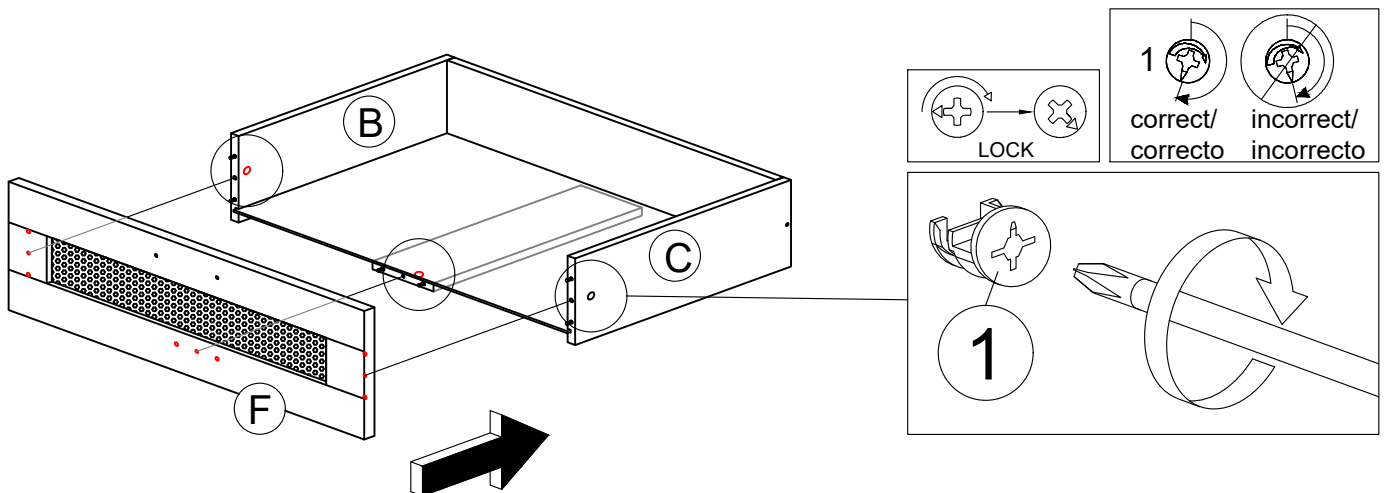
ASSEMBLY INSTRUCTION

Step 5



x2

Step 6



x2

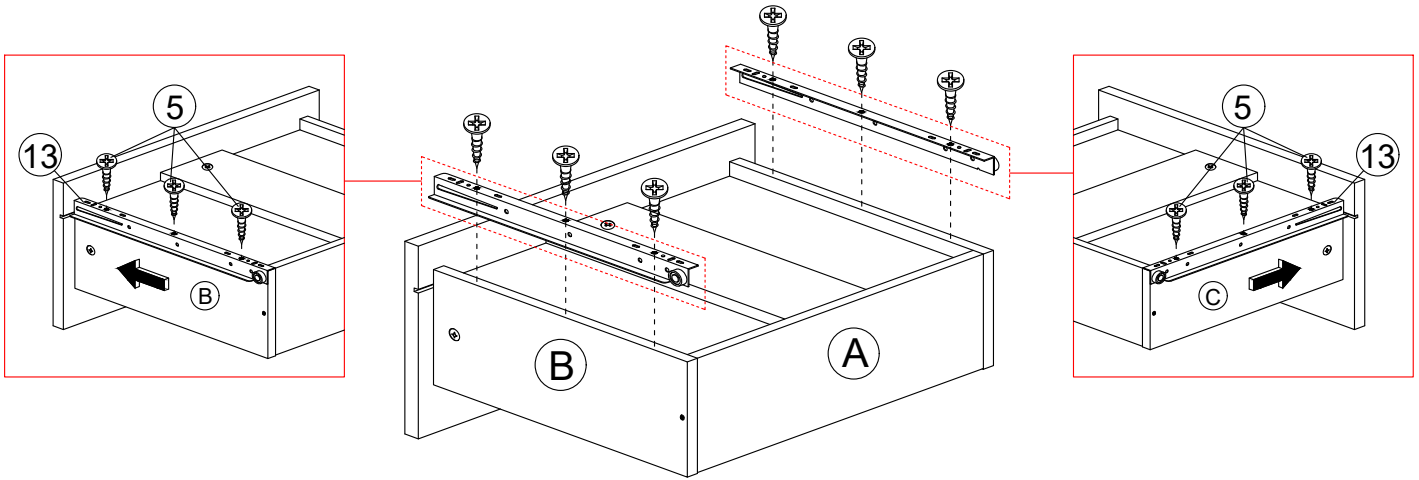
ASSEMBLY INSTRUCTION

Step 7

Required/Requis/Requerido

x18  5

x6  13




Bottom View

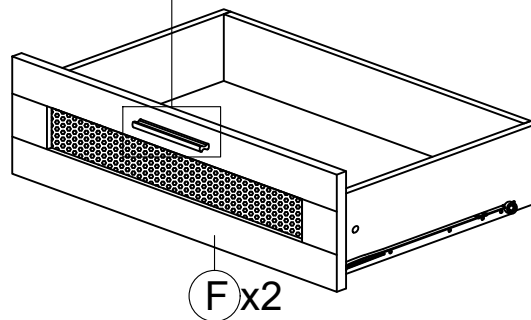
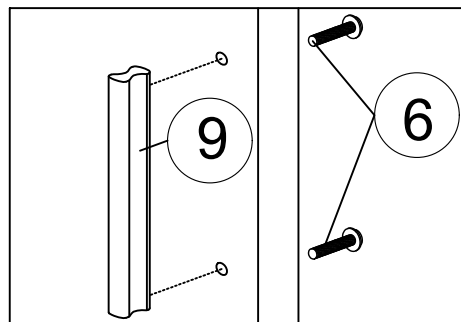
x3

Step 8

Required/Requis/Requerido

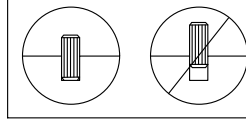
x4  6

x2  9



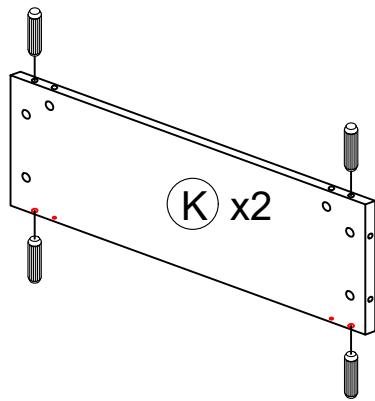
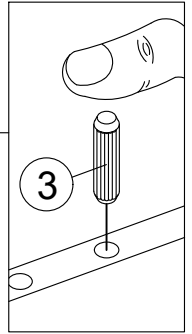
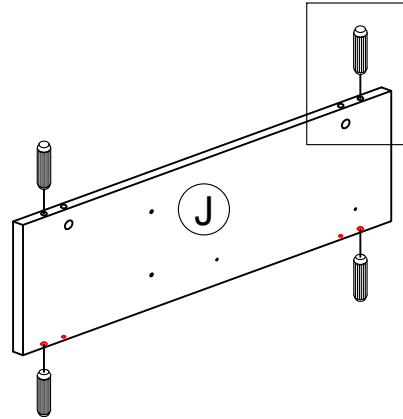
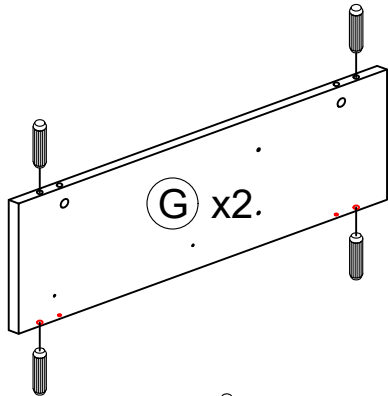
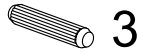
ASSEMBLY INSTRUCTION

Step 9



Required/Requis/Requerido

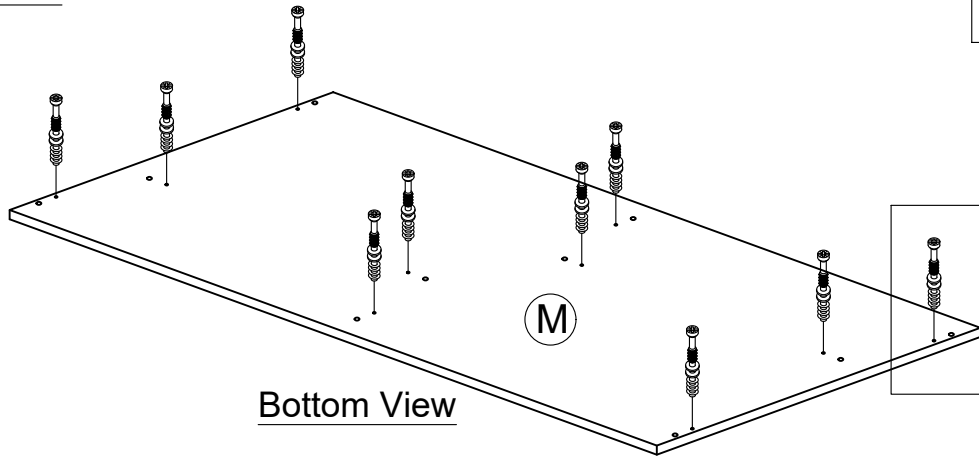
x20



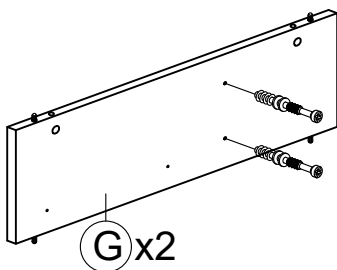
Step 10

Required/Requis/Requerido

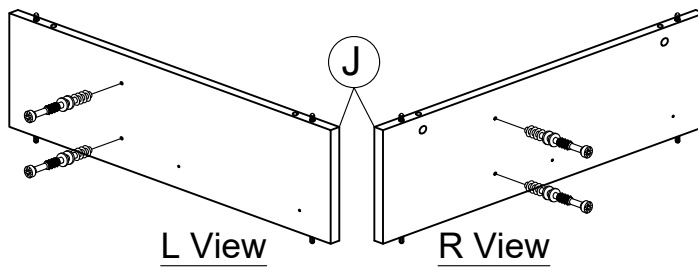
x18



Bottom View

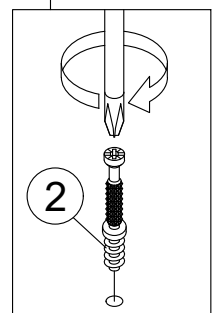


G x2



L View

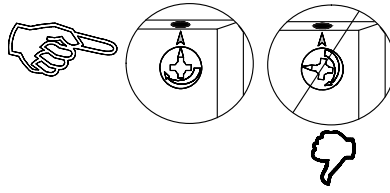
R View



2

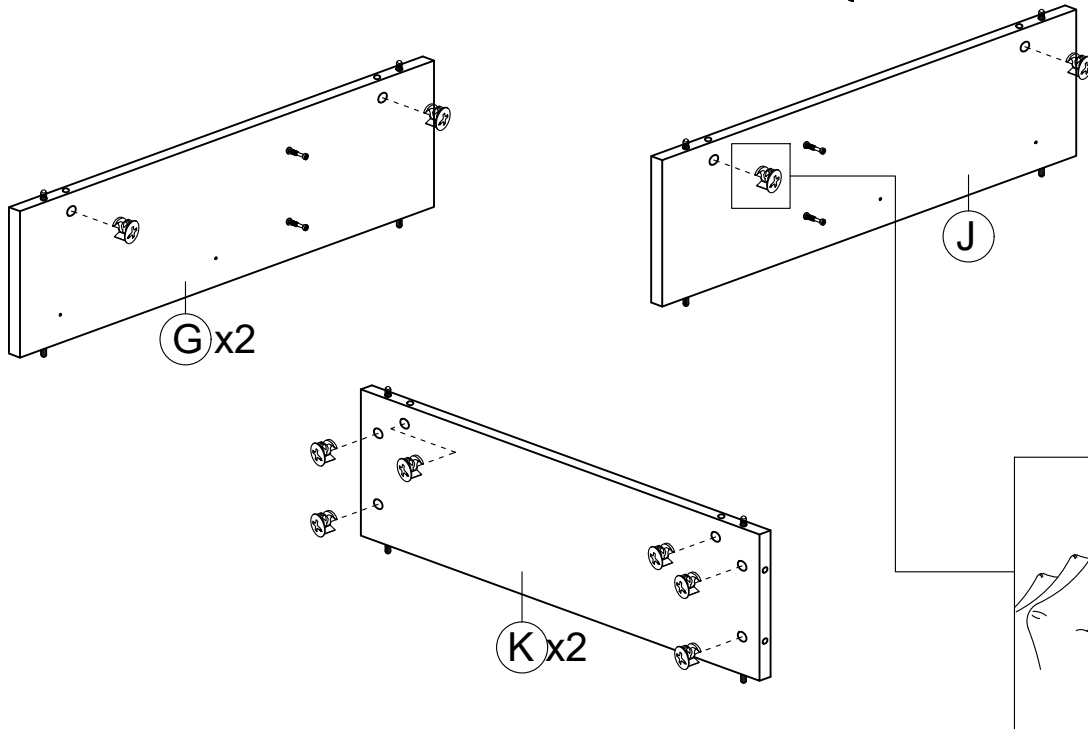
ASSEMBLY INSTRUCTION

Step 11

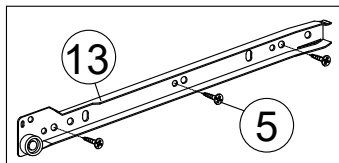


Required/Requis/Requerido

x18



Step 12

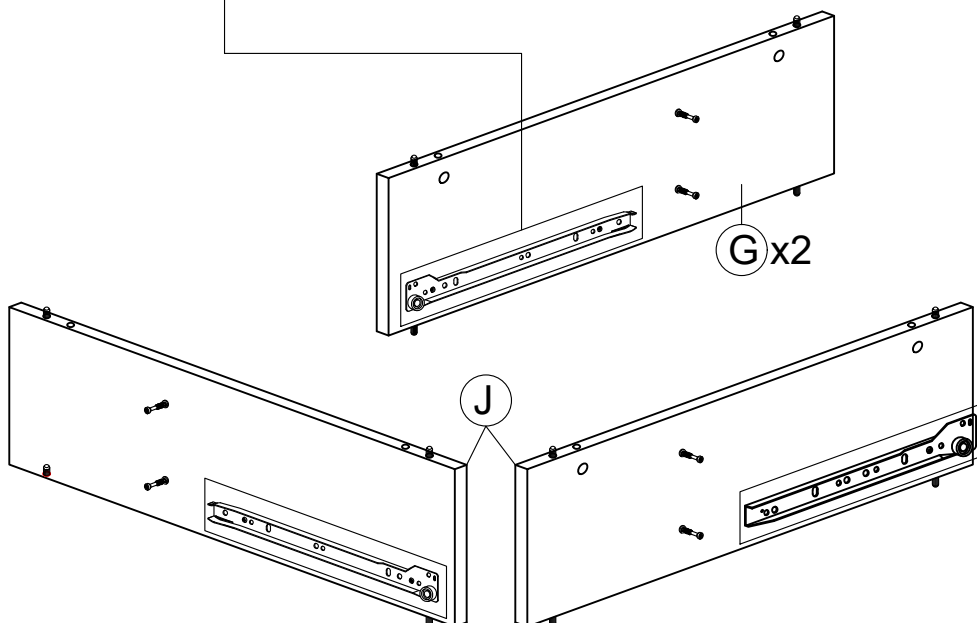


Required/Requis/Requerido

x12

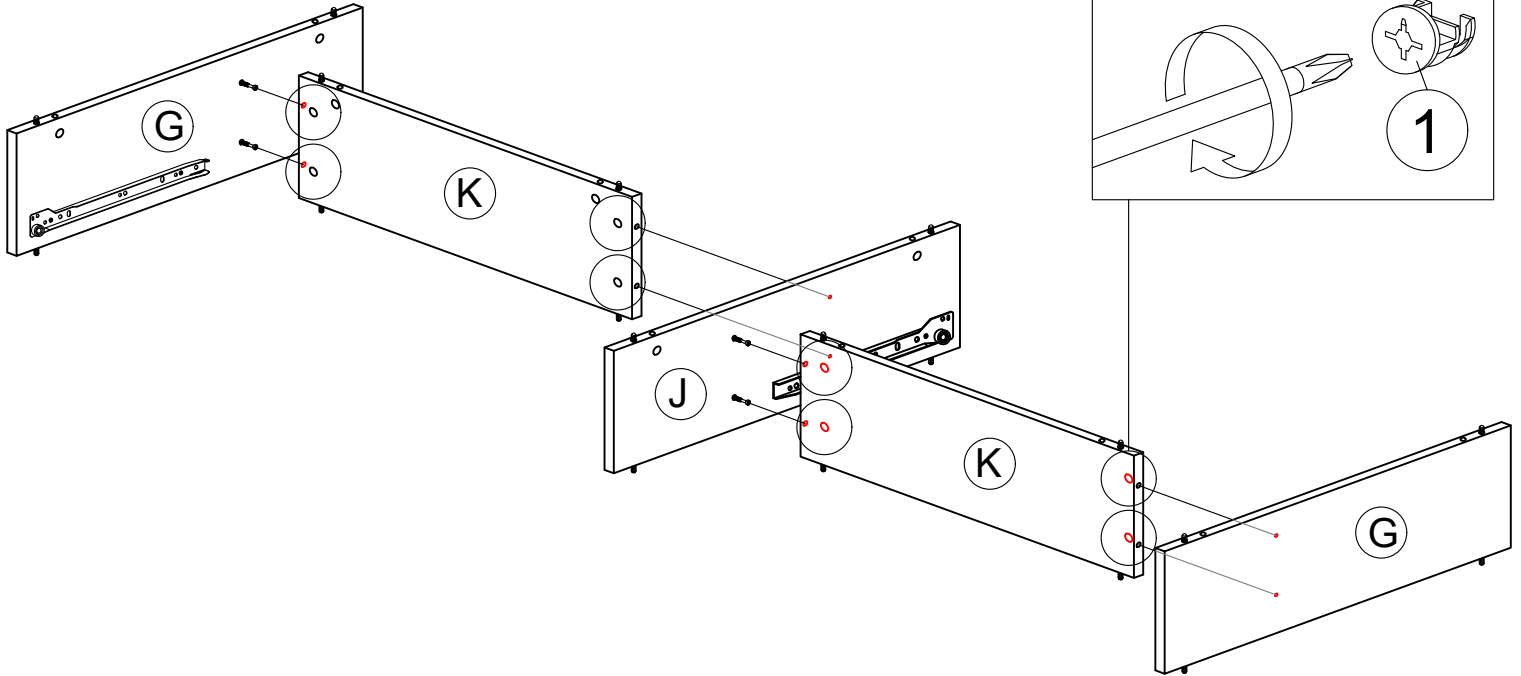
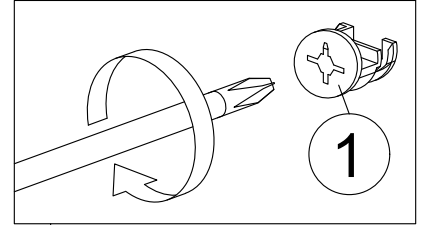
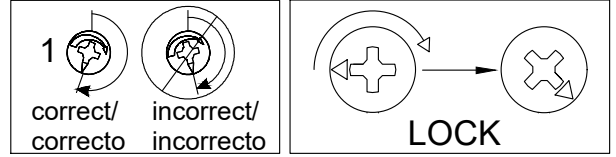


x4



ASSEMBLY INSTRUCTION


Step 13

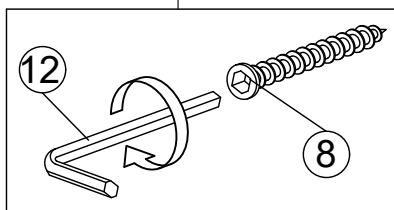
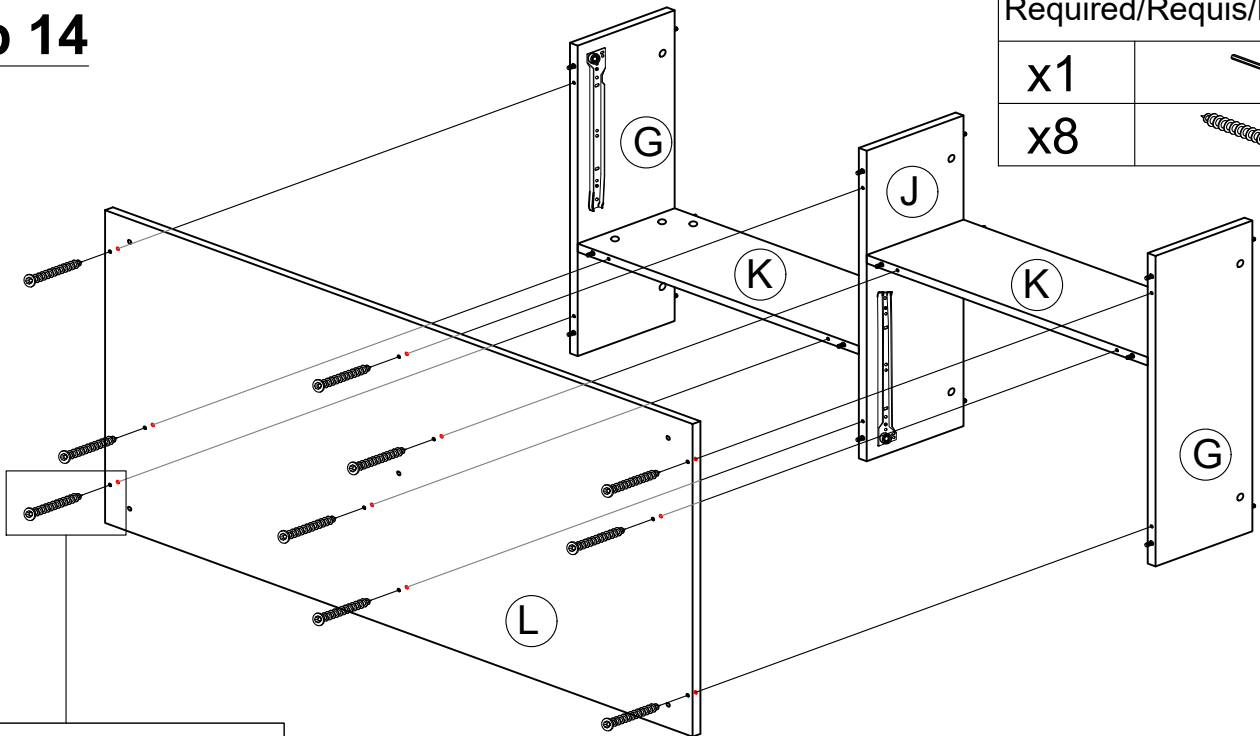


Step 14

Required/Requis/Requerido

x1  12



x8  8

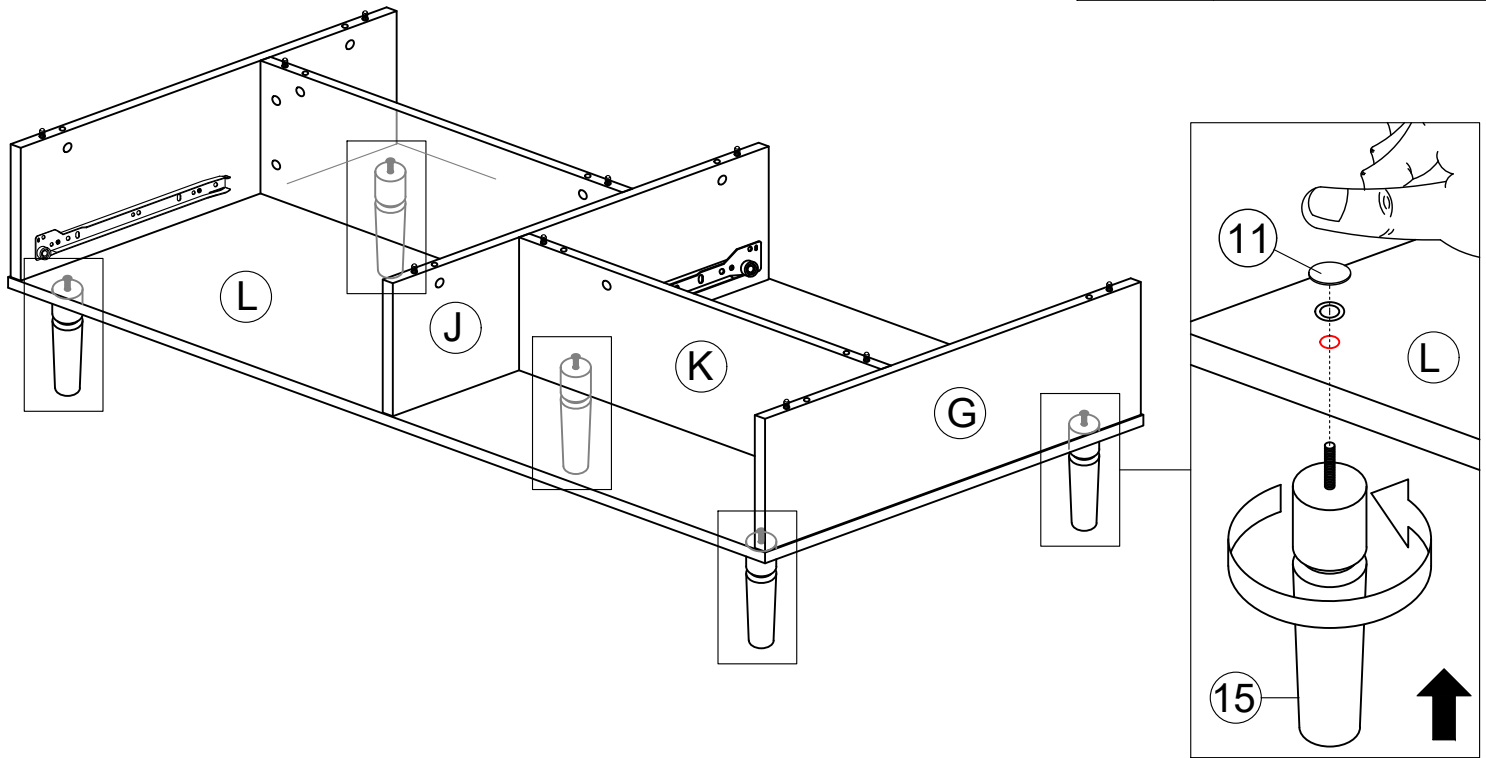


ASSEMBLY INSTRUCTION

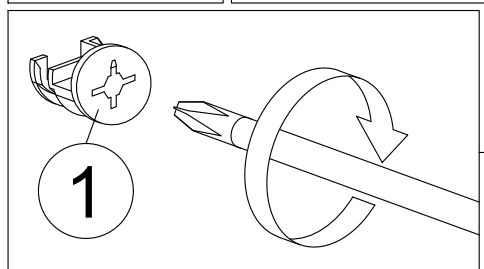
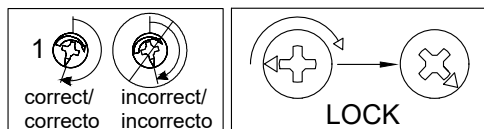
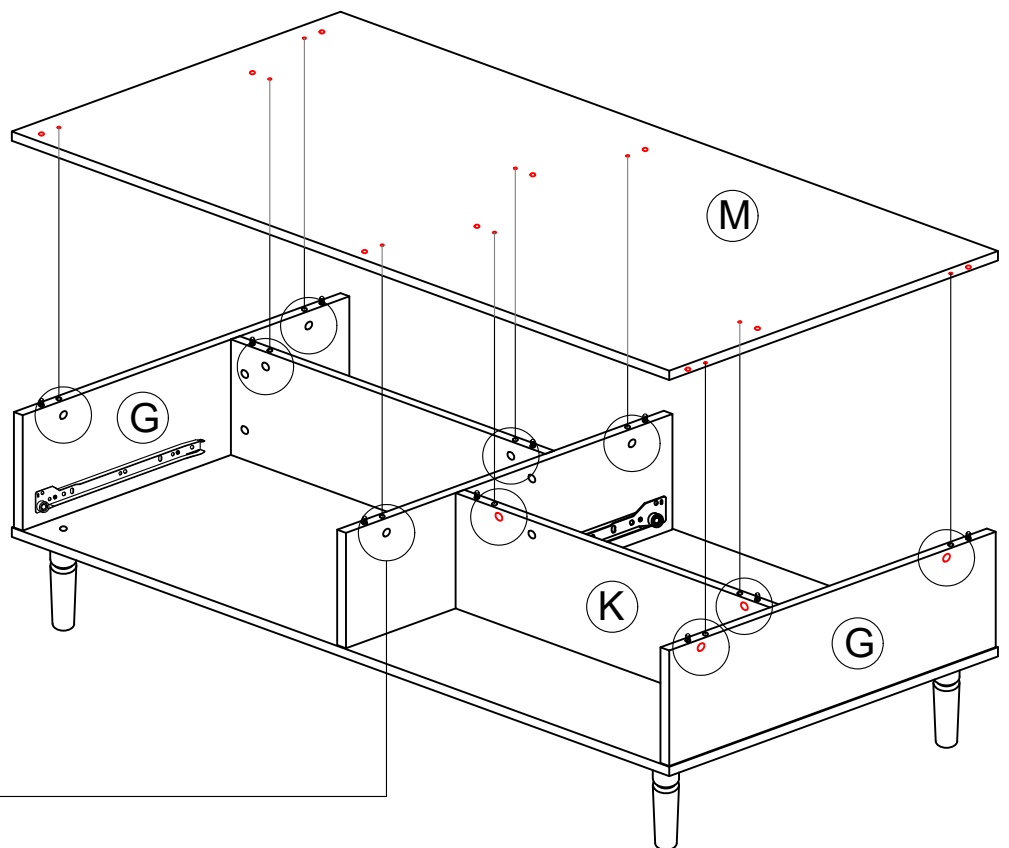
Step 15

Required/Requis/Requerido

x5		11
x5		15



Step 16



ASSEMBLY INSTRUCTION

Step 17

