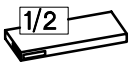
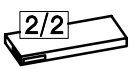
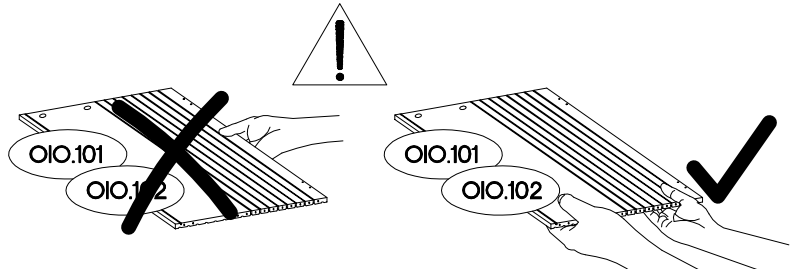
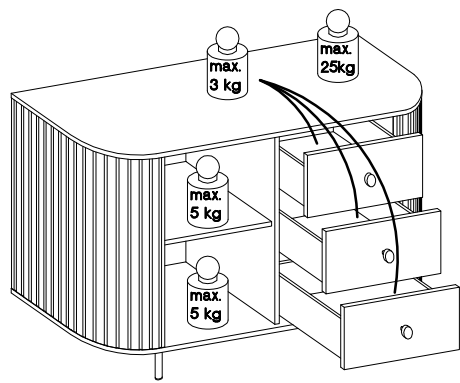
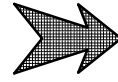
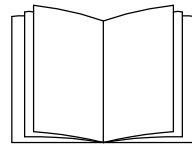
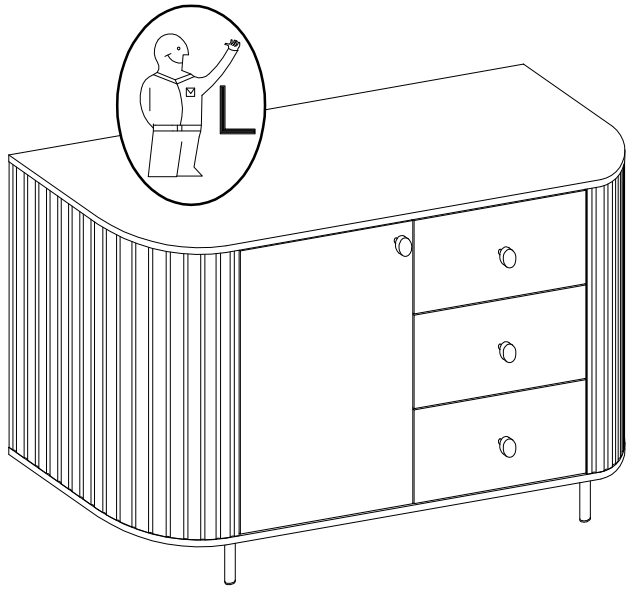
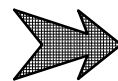
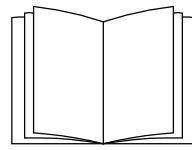
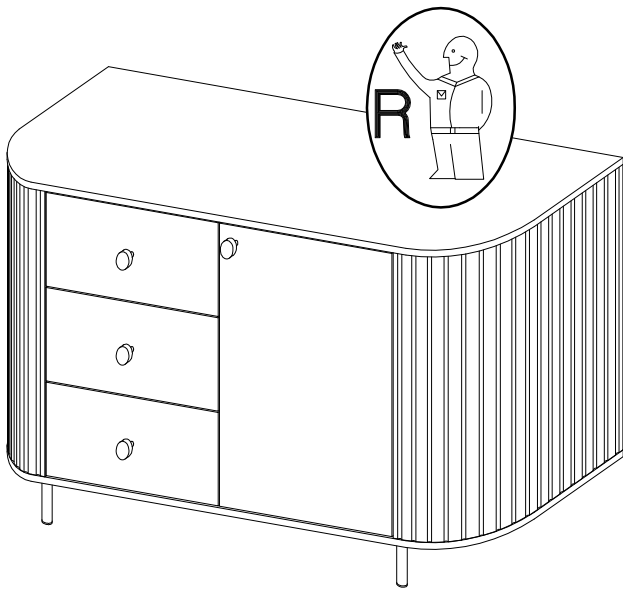


	Ersatzteil Nummer	Dimension
	OIO.505	672x384x16
	OIO.516	672x384x16
	OIO.506	672x384x16
	OIO.301	407x370x16
	OIO.701 x3	220x412x16
	OIO.702	666x412x16
	OIO.101	672x544x16
	OIO.203	1230x423x16
	OIO.204	1230x423x16
	OIO.603 x2	339x1205x2,5
	OIO.602 x3	371x348x2,5
	WST.0216 x3	350x140x12
	WST.0217 x3	350x140x12
	WST.0357 x3	360x140x12





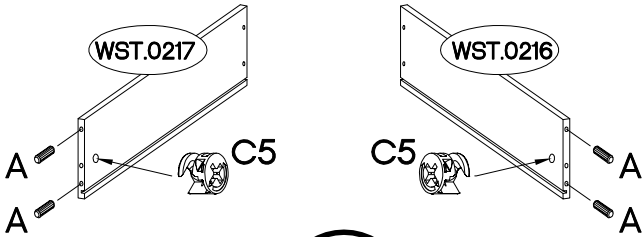
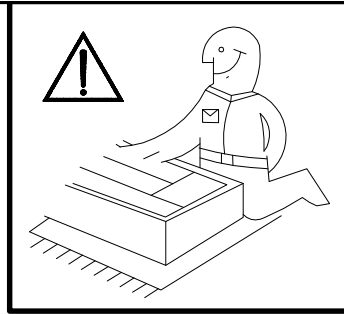
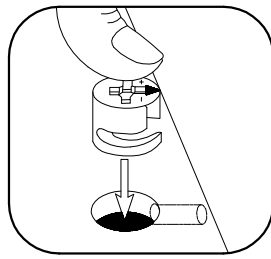
1 — 19



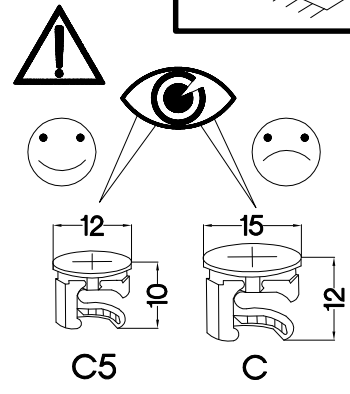
1 — 5  
20 — 33

1

<p>±12/10mm</p> <p>C5</p> <p>6</p>	<p>±8x30mm</p> <p>A</p> <p>12</p>
------------------------------------	-----------------------------------

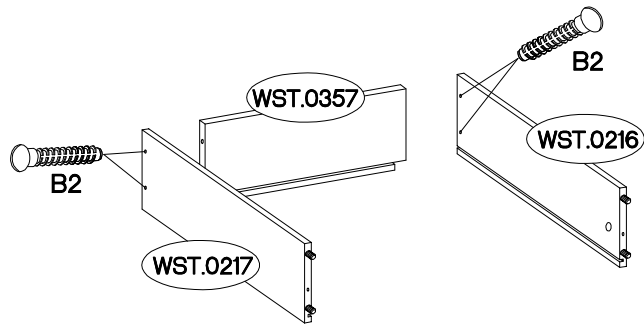
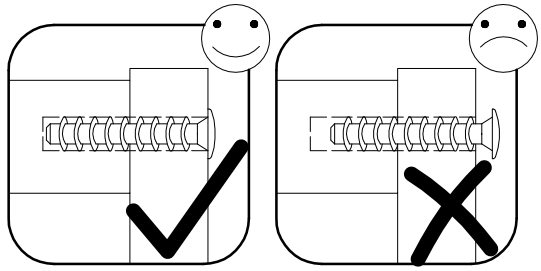


x3



2

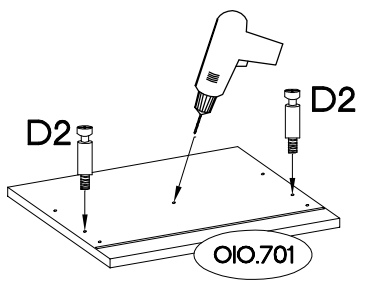
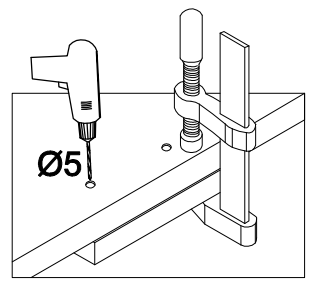
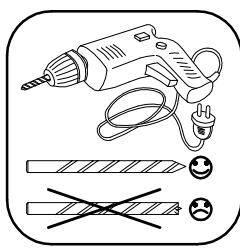
<p>±6x42mm</p> <p>B2</p> <p>12</p>
------------------------------------



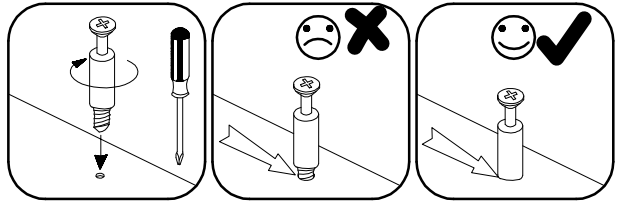
x3

3

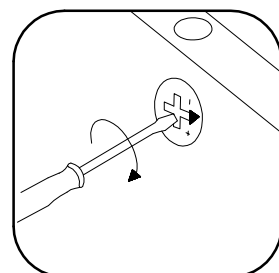
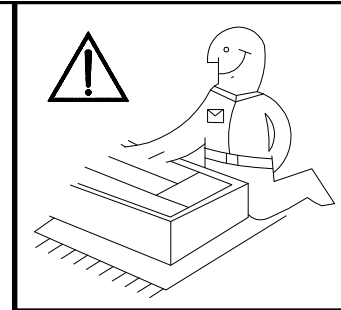
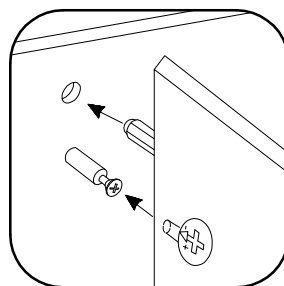
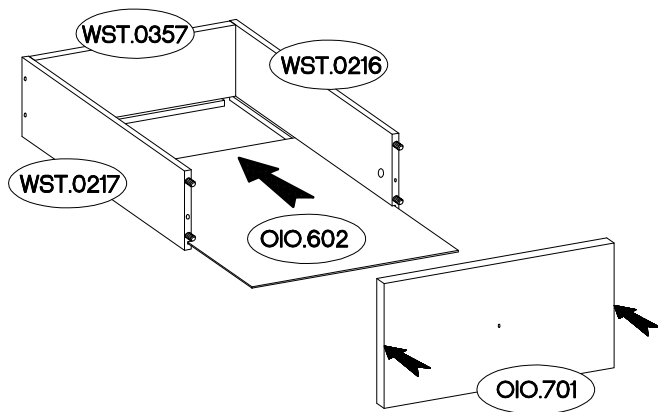
<p>L=20mm</p> <p>D2</p> <p>6</p>
----------------------------------



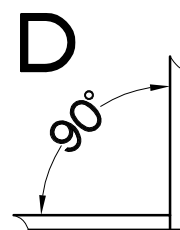
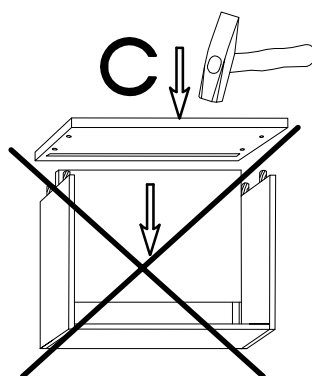
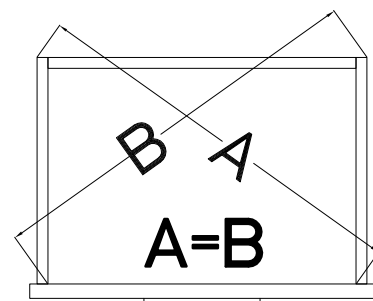
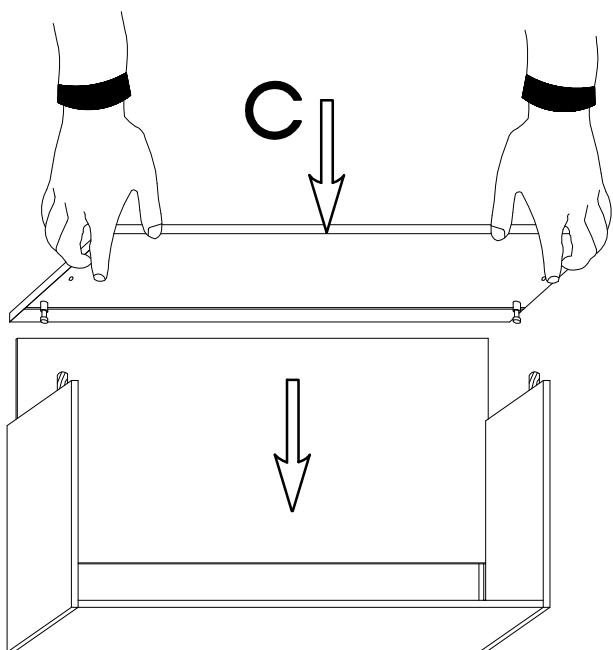
x3



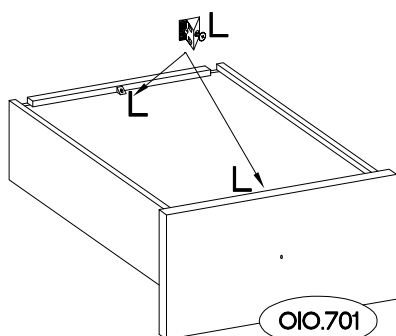
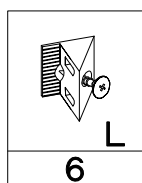
4



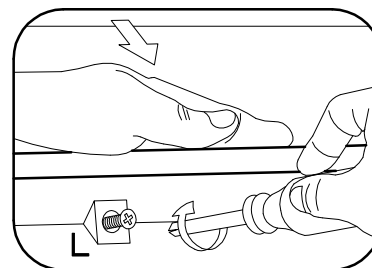
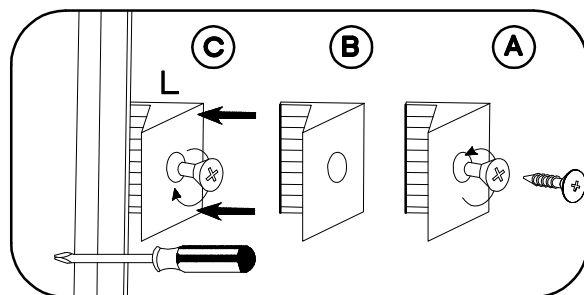
x3

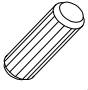



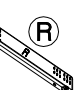
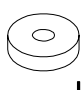




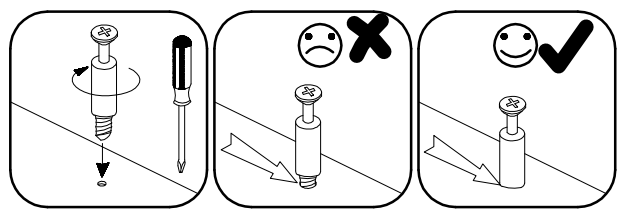
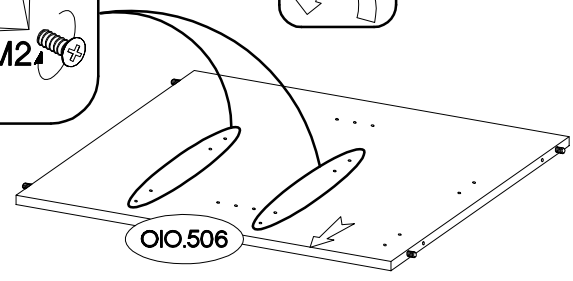
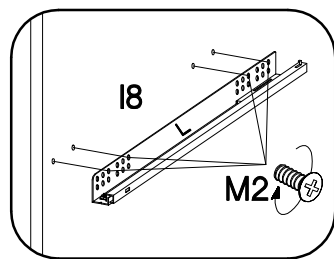
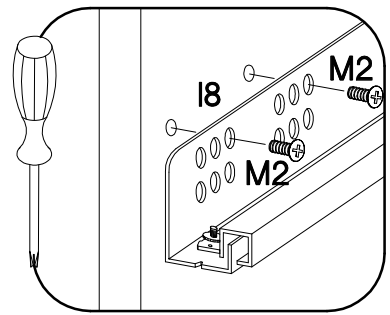
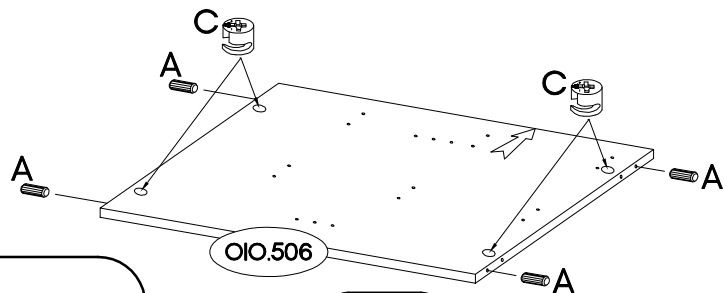
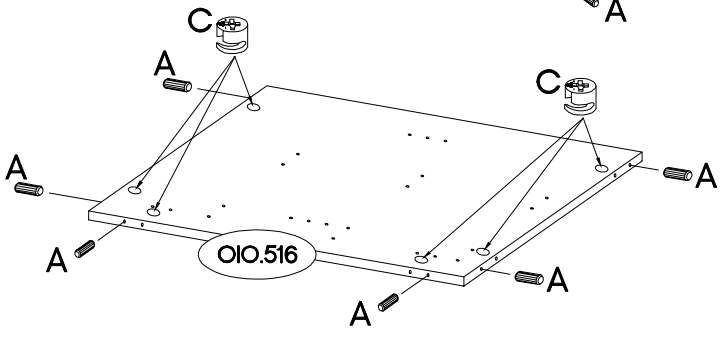
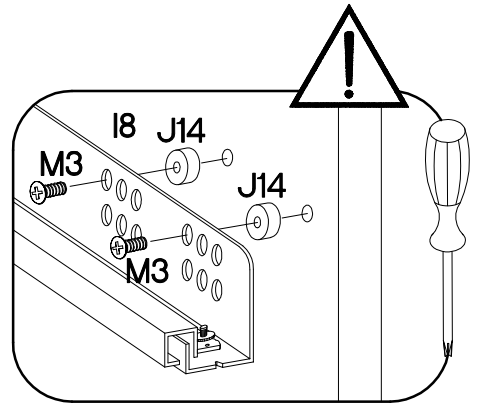
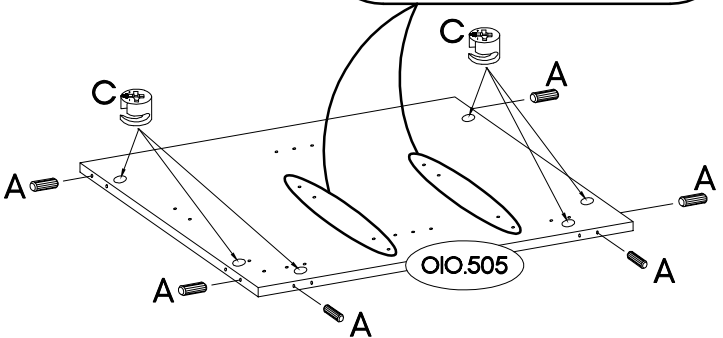
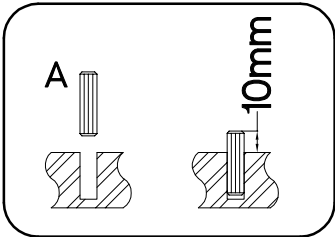
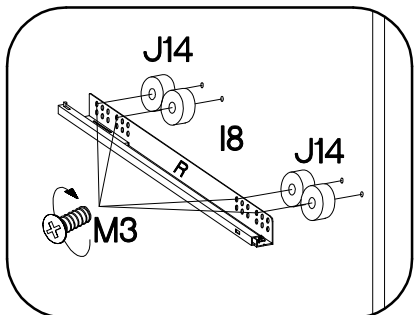
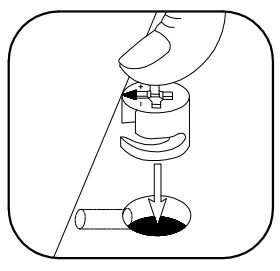
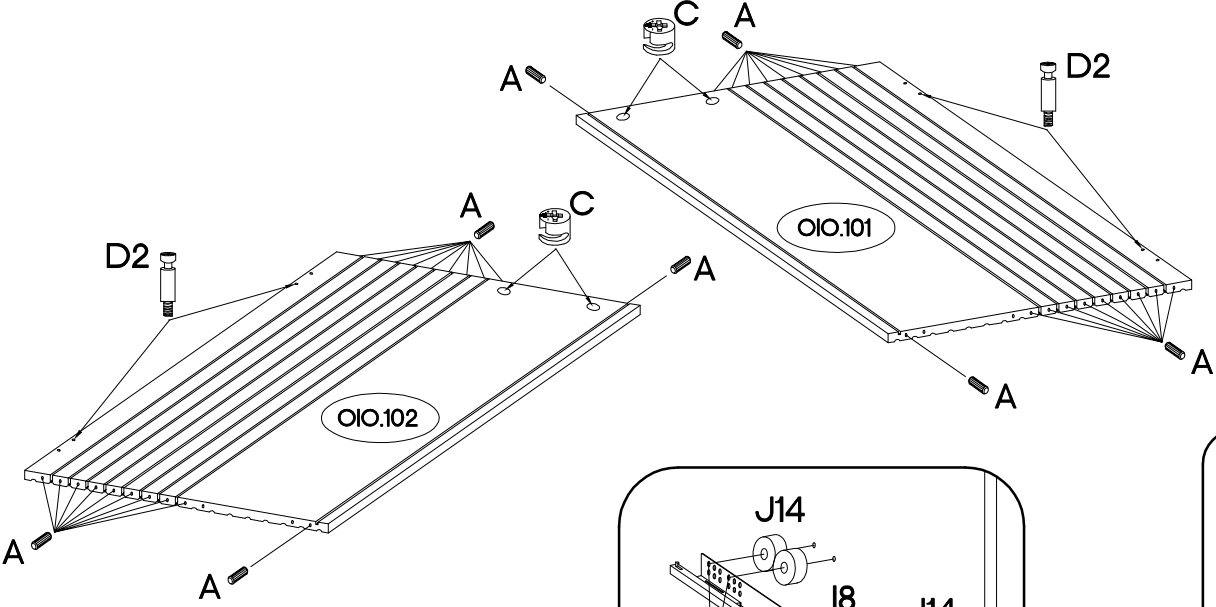
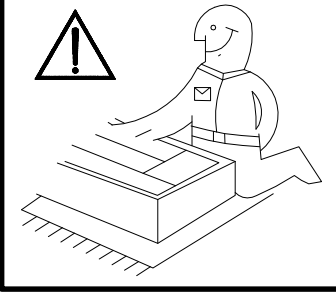
5






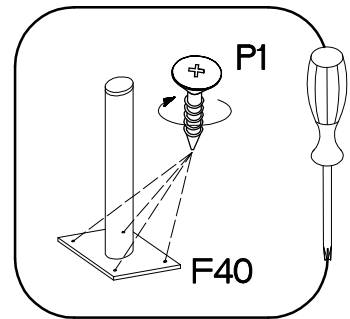
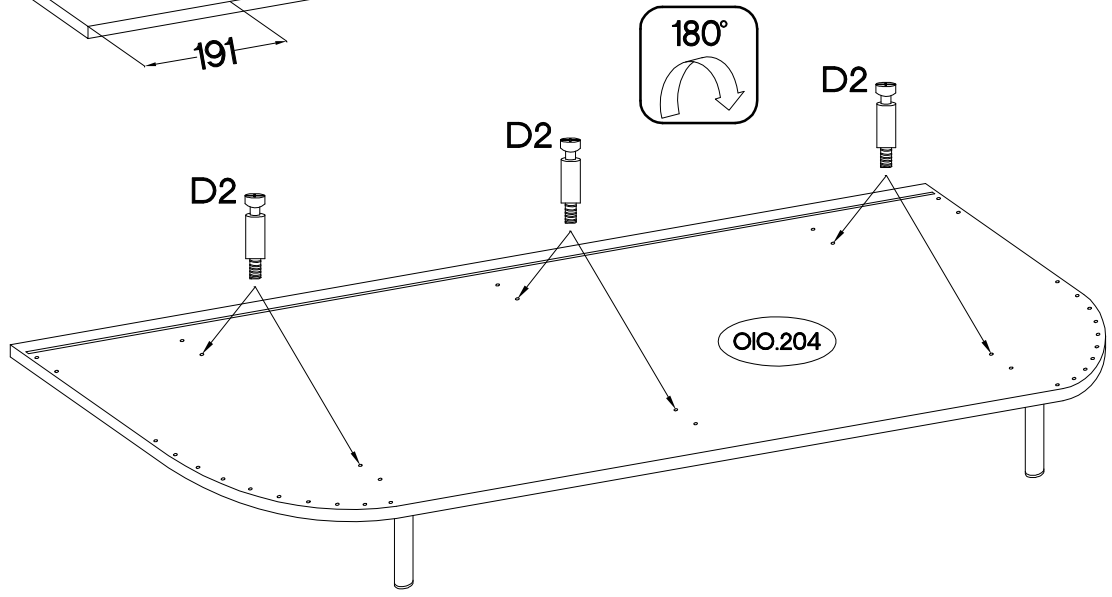
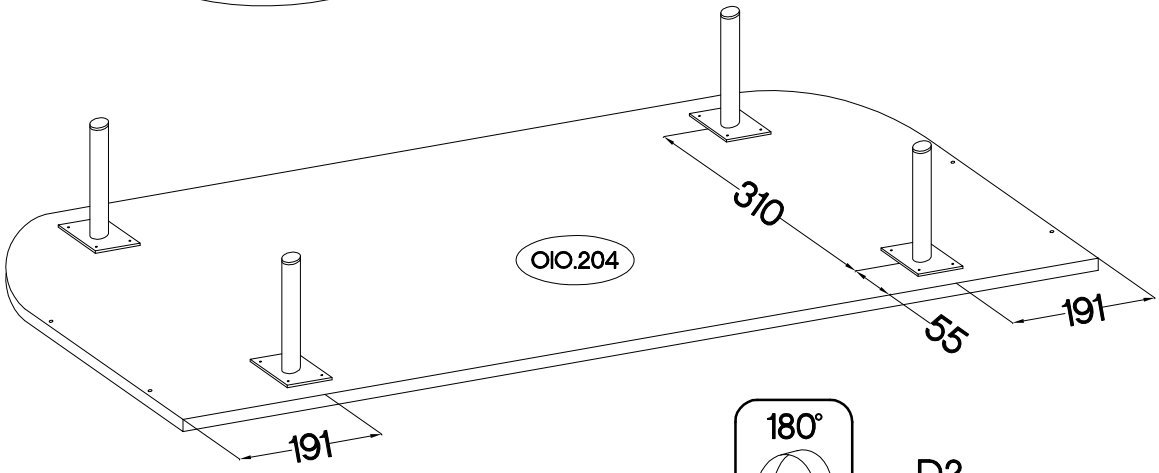
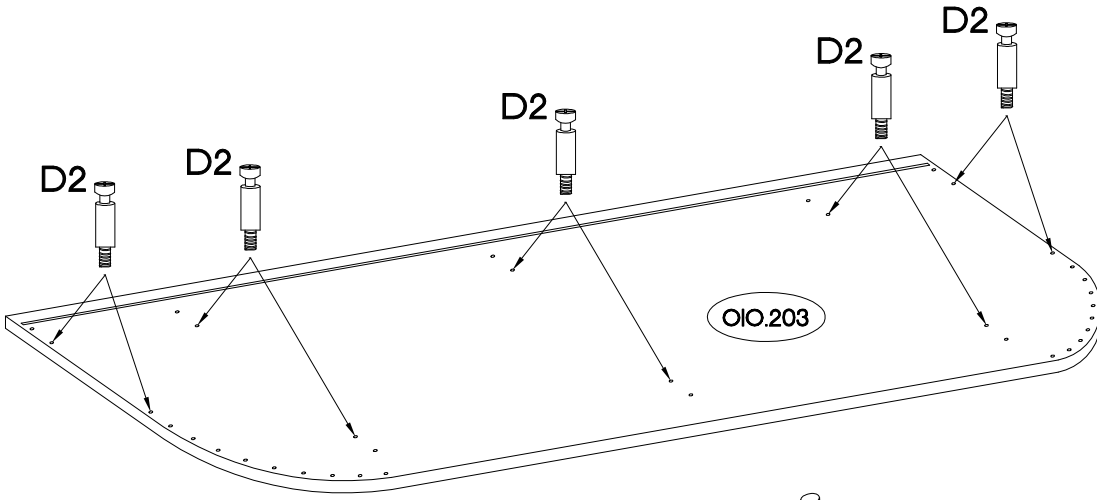
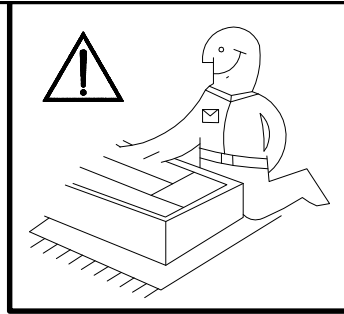
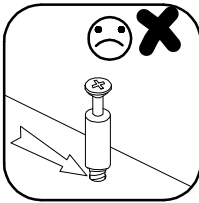
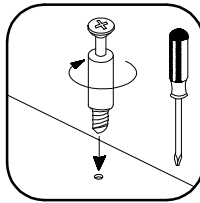
x3



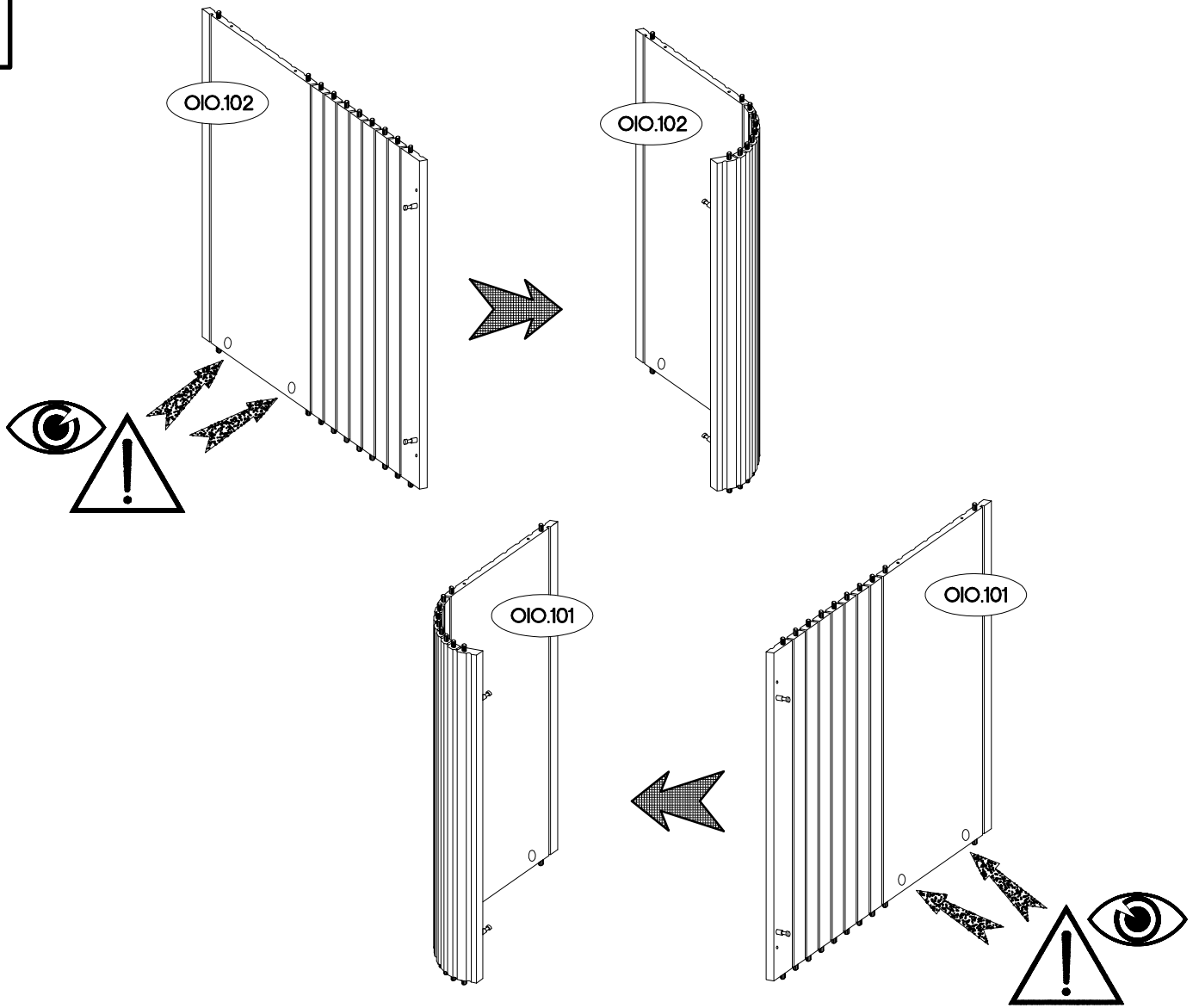
$\pm 8 \times 30 \text{mm}$  A 56	$\pm 15/12 \text{mm}$  C 20	L=20mm  D2 4	L=350mm  I8 2	[CD]  J14 8	$\pm 20/8 \text{mm}$  J14 8	$\pm 6.3 \times 13 \text{mm}$  M2 8	$\pm 6.3 \times 20 \text{mm}$  M3 8
--	--	---	--	--	--	---	--



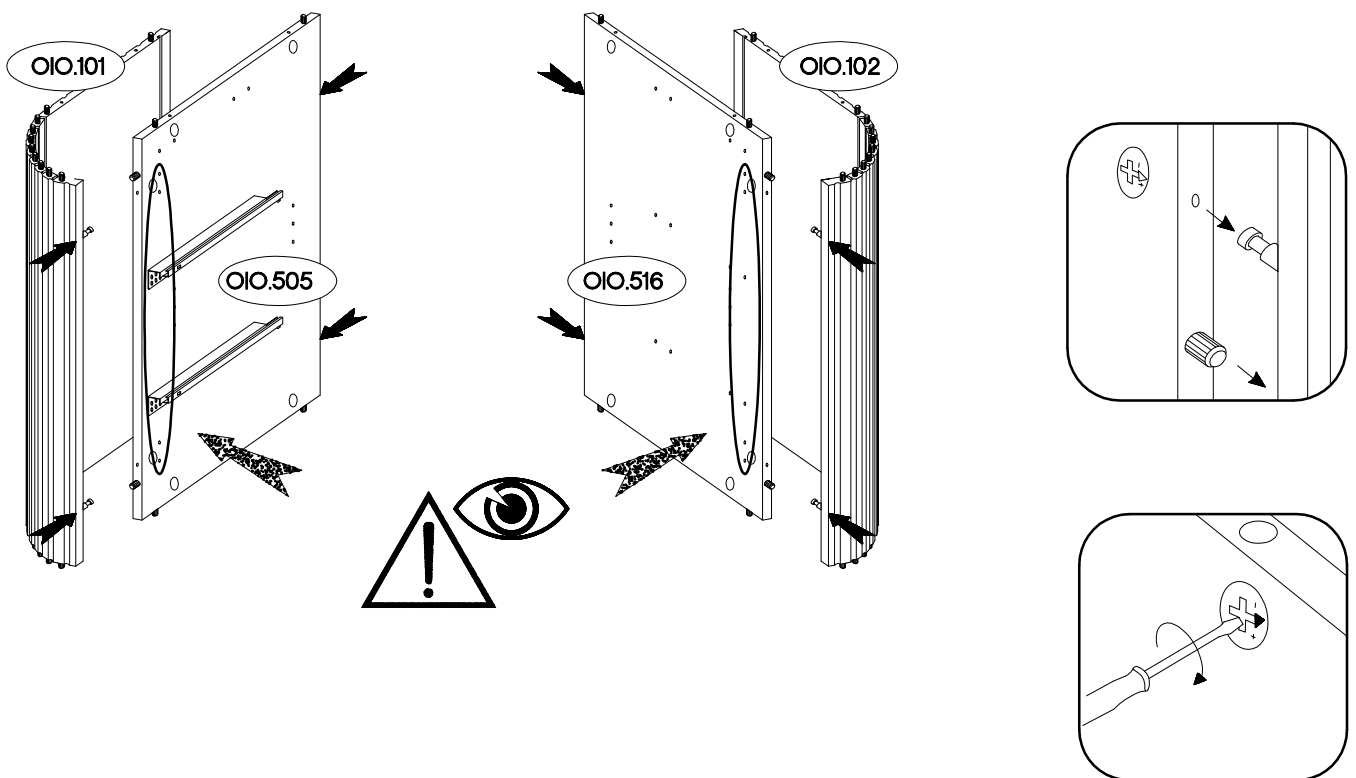
L=20mm  D2 16	L=150mm  F40 4	+4.0x16mm  P1 16
--	---	---



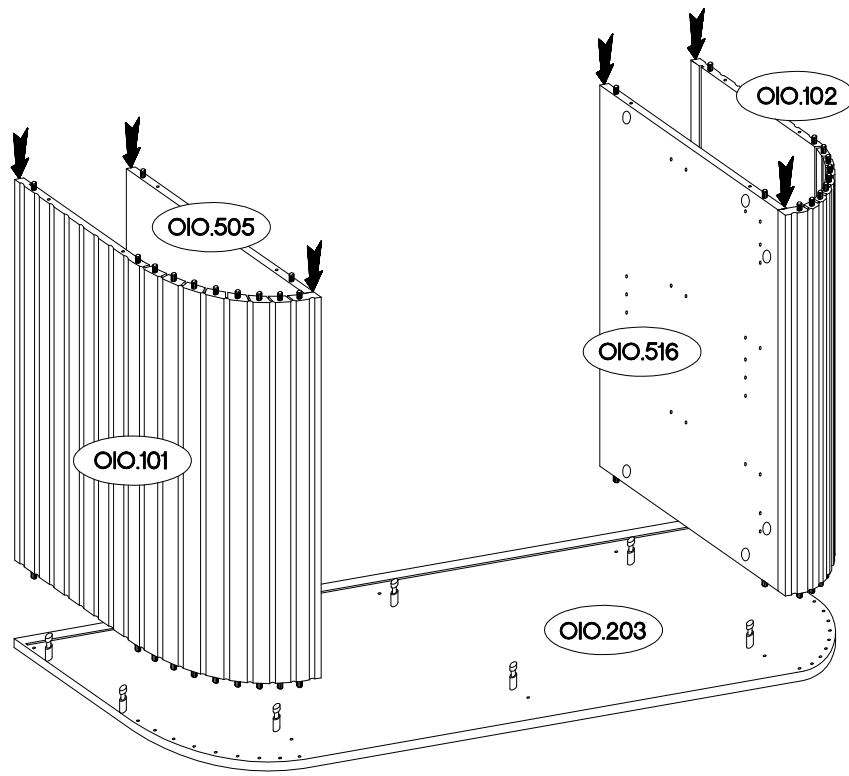
8



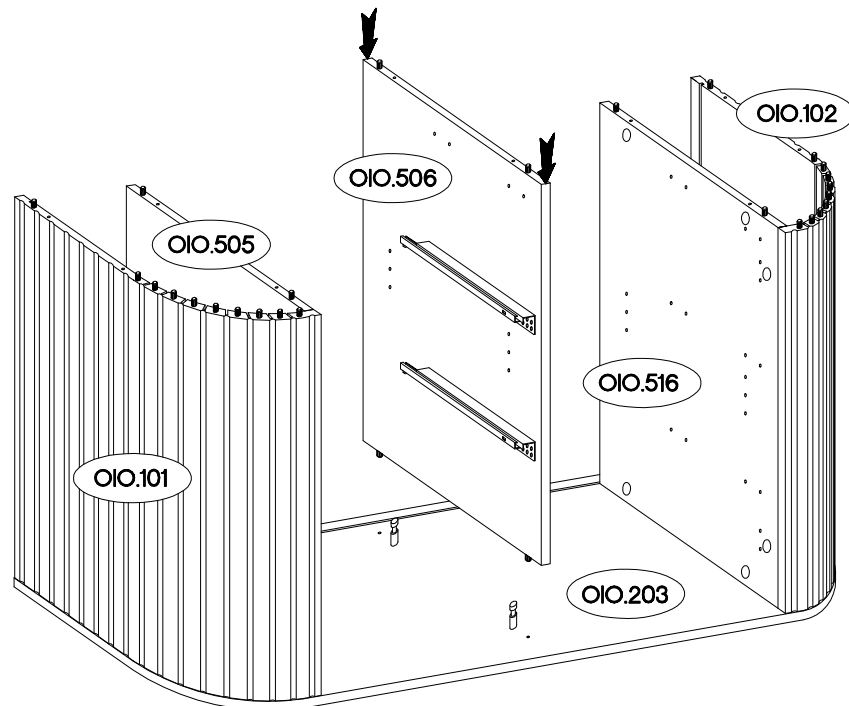
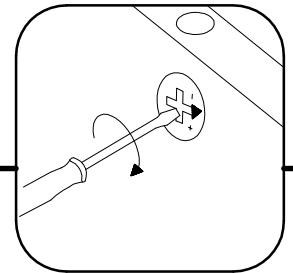
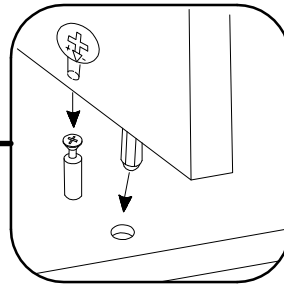
9

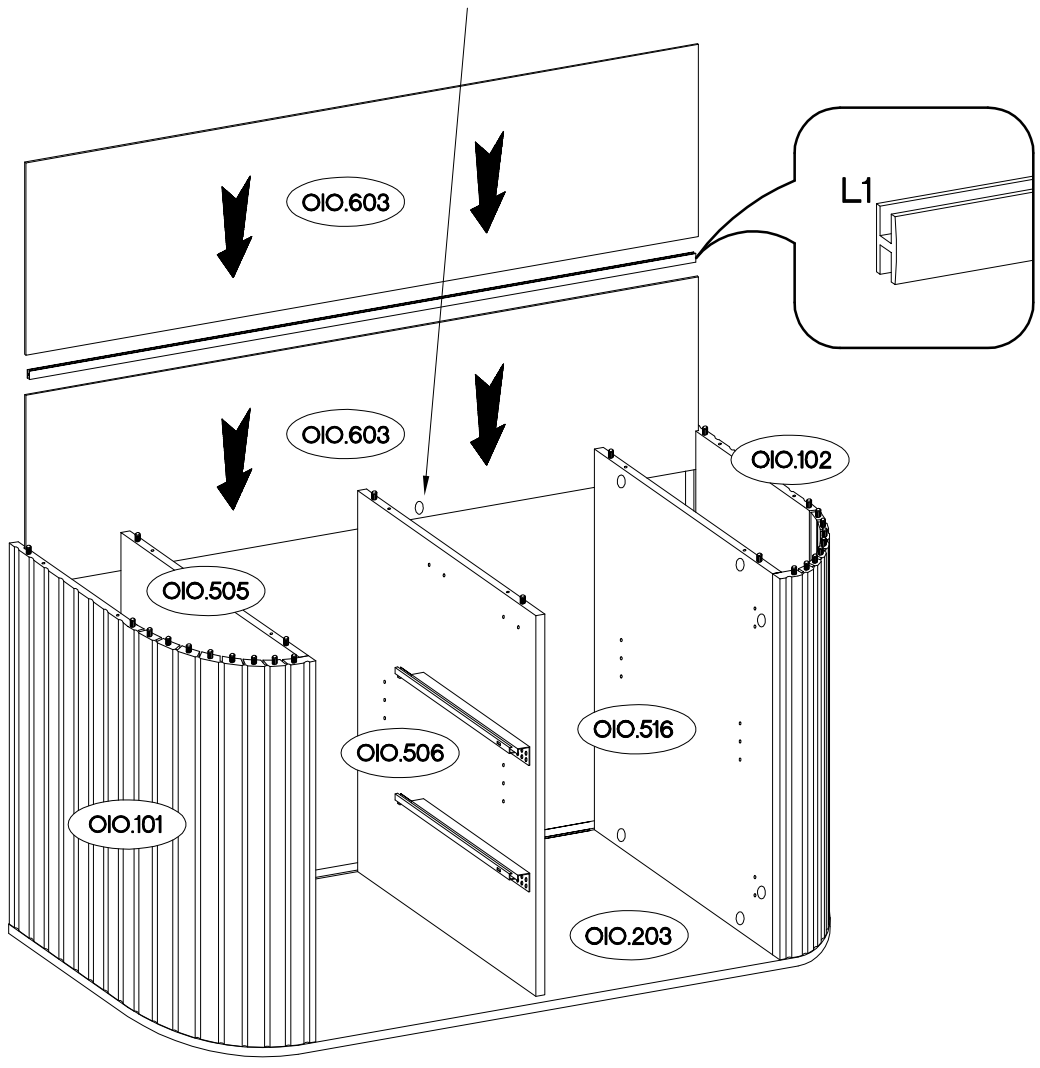
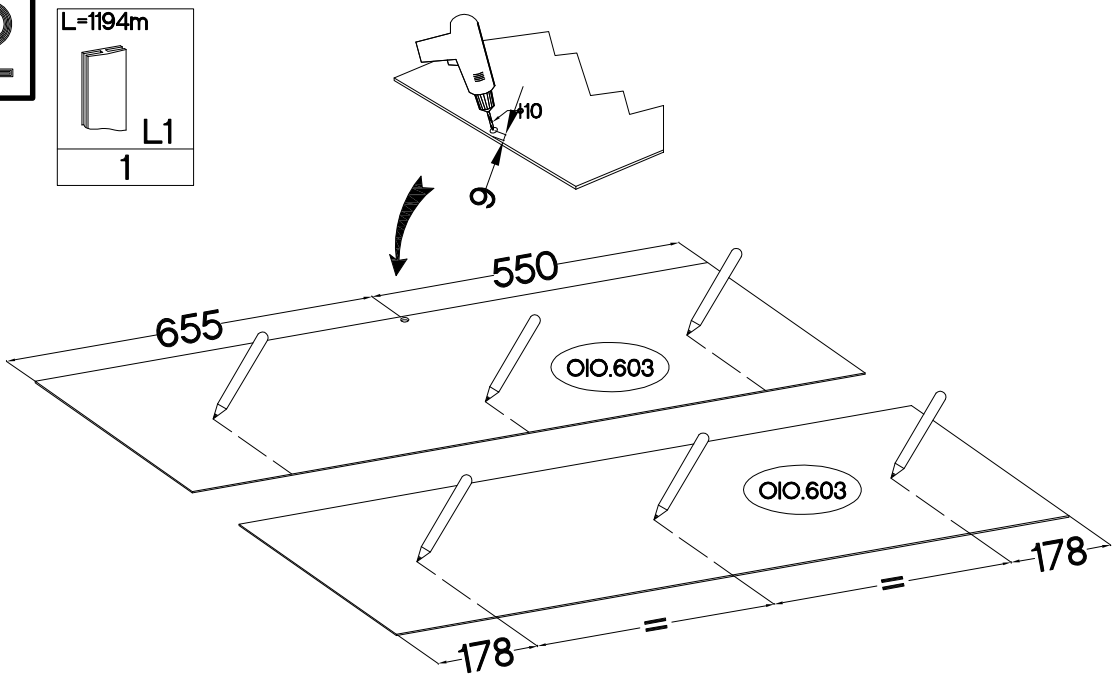
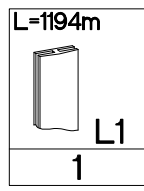



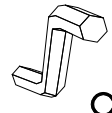
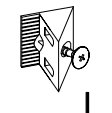

10

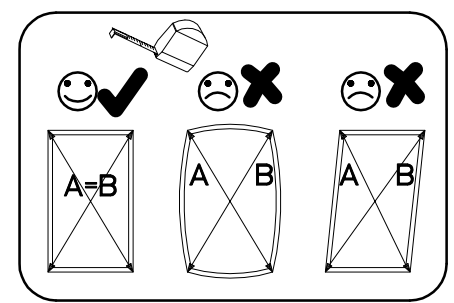
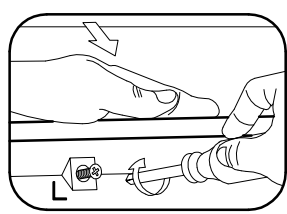
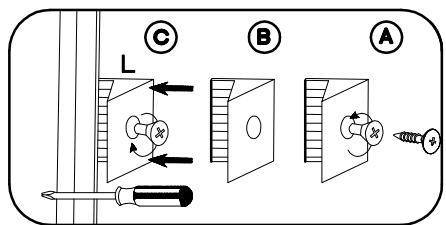
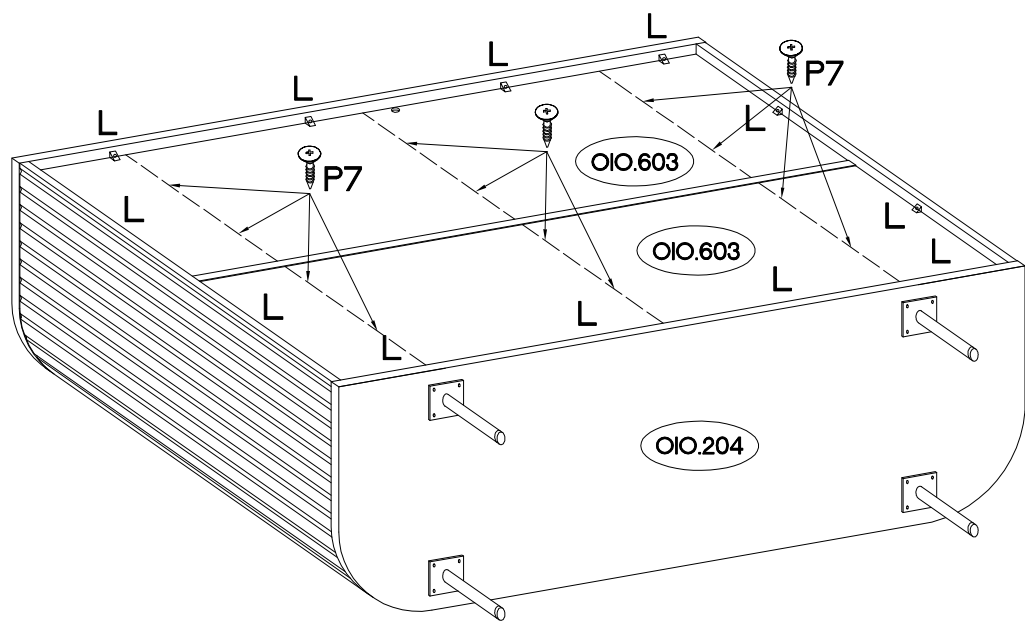
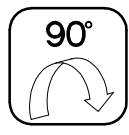
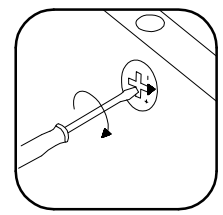
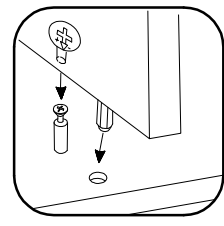
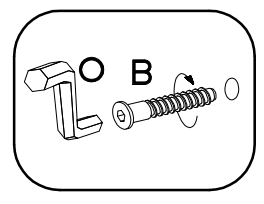
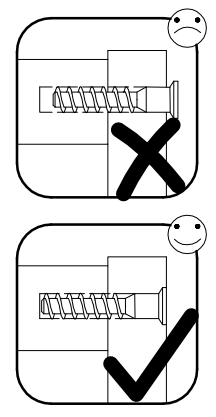
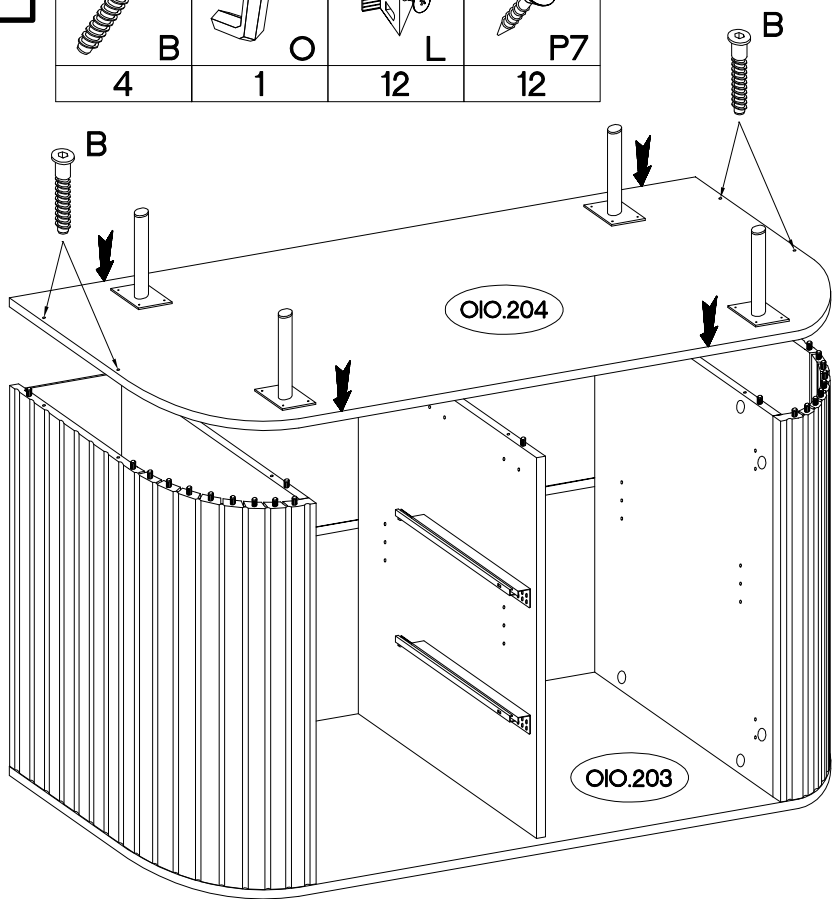





11

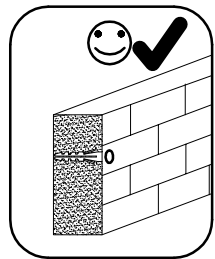
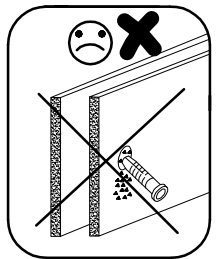
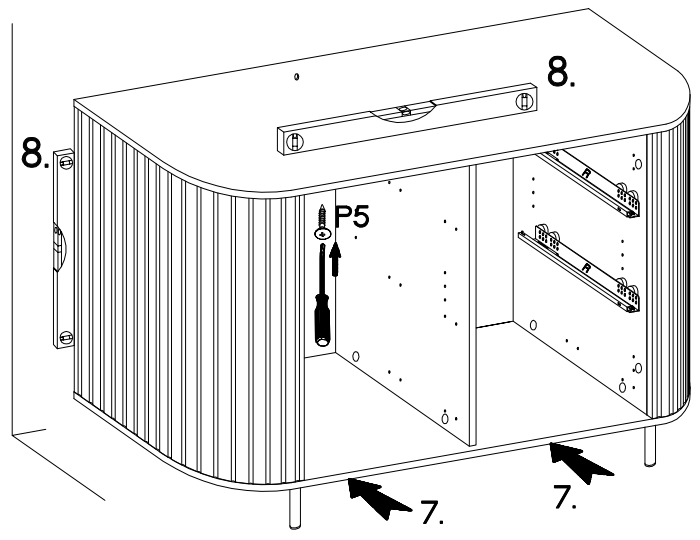
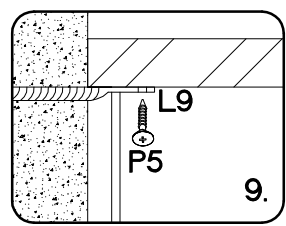
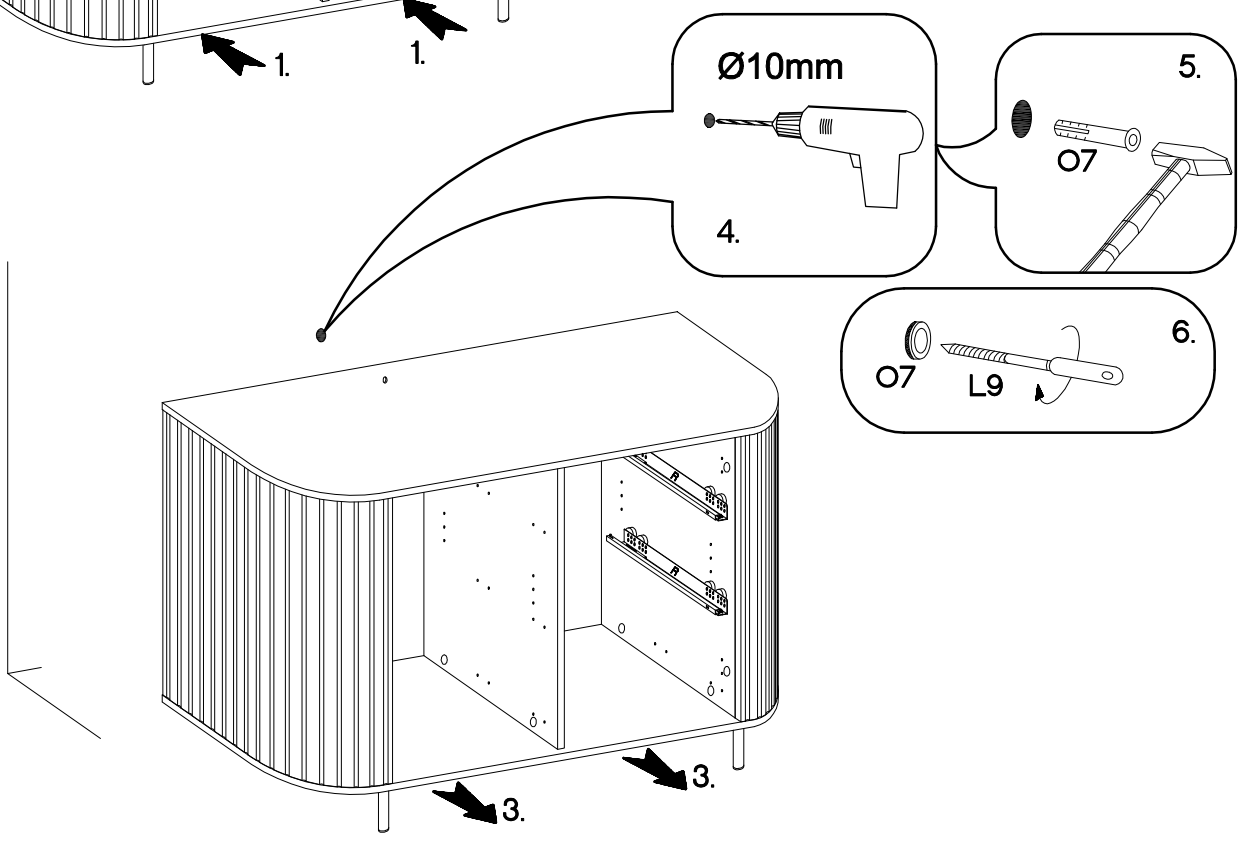
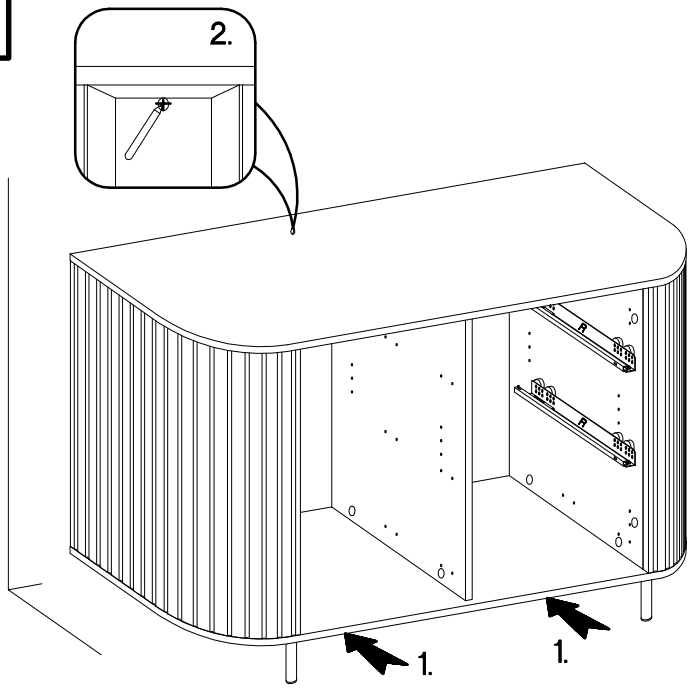




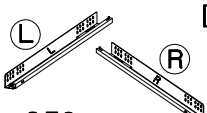
6.4 x 50mm  B 4	 O 1	 L 12	3.0x20mm  P7 12
--	--	---	--

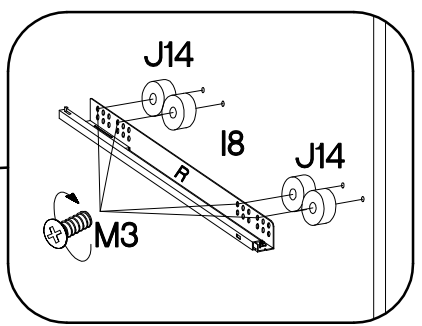
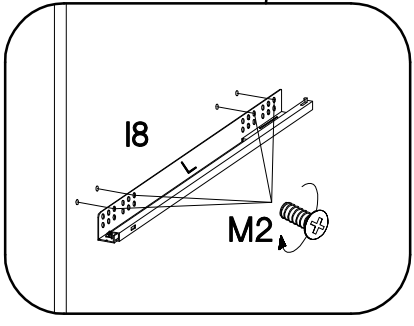
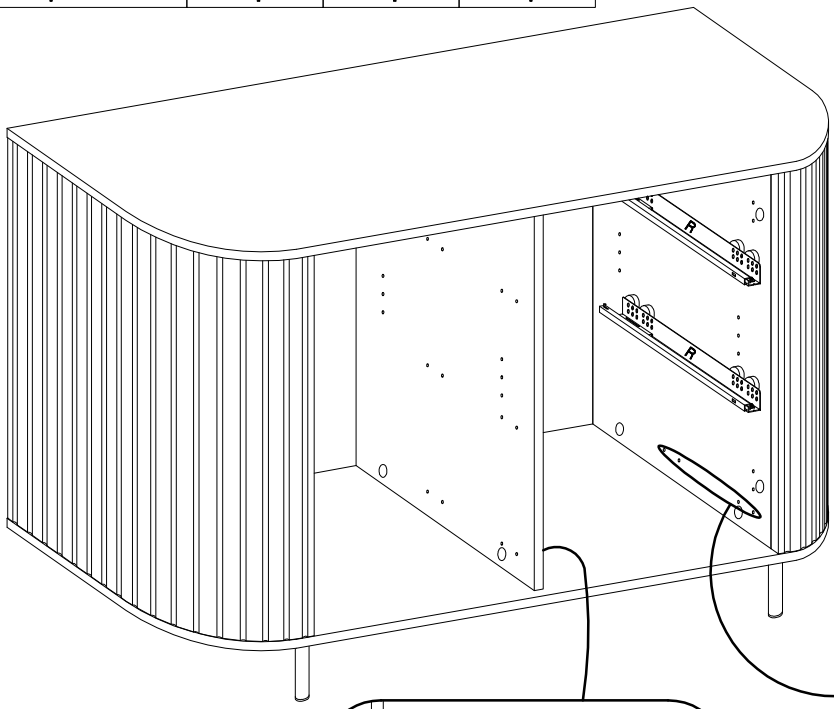


<p>±10x50mm</p>  <p>Ø7</p> <p>1</p>	<p>±3.5x13mm</p>  <p>L9</p> <p>1</p>	<p>±3.5x13mm</p>  <p>P5</p> <p>1</p>
---	--	---

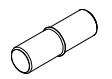


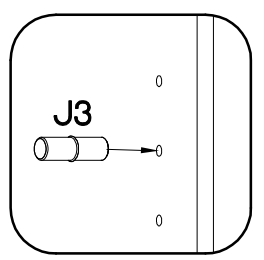
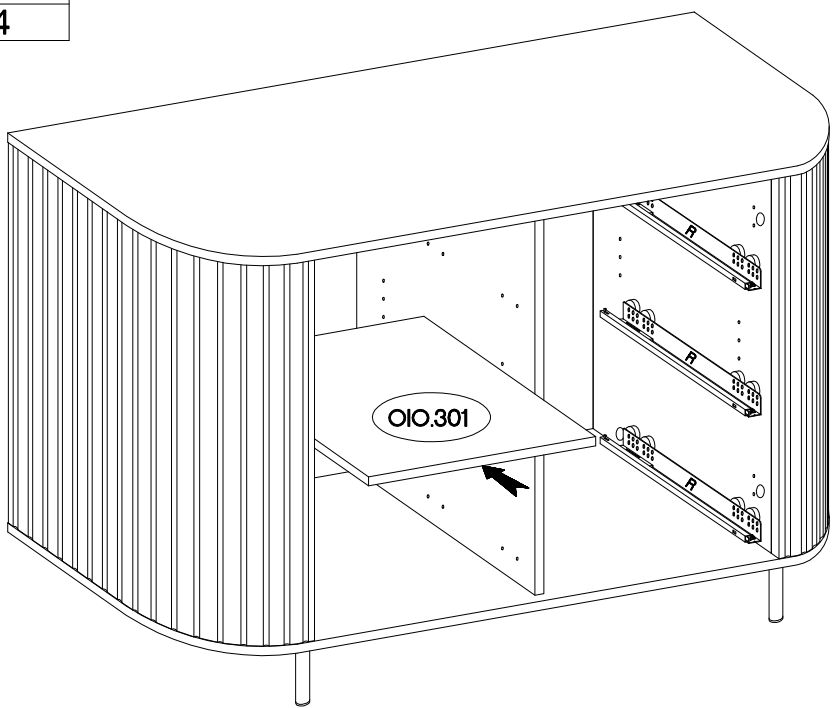
# 15

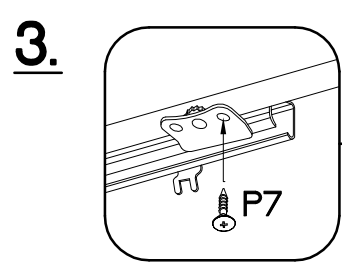
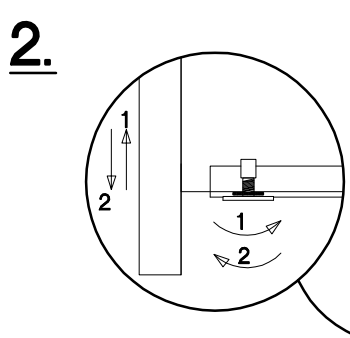
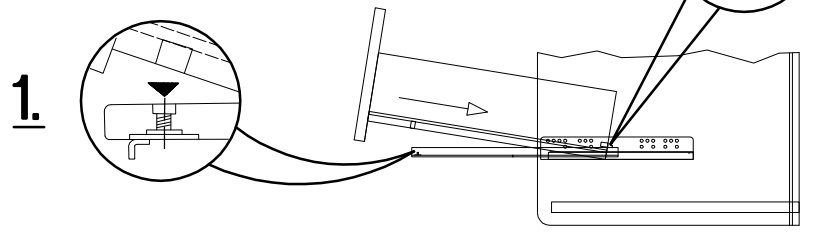
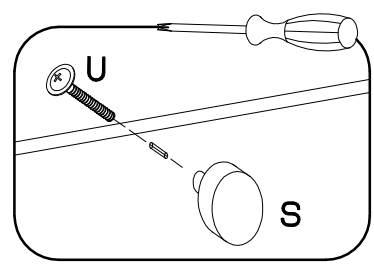
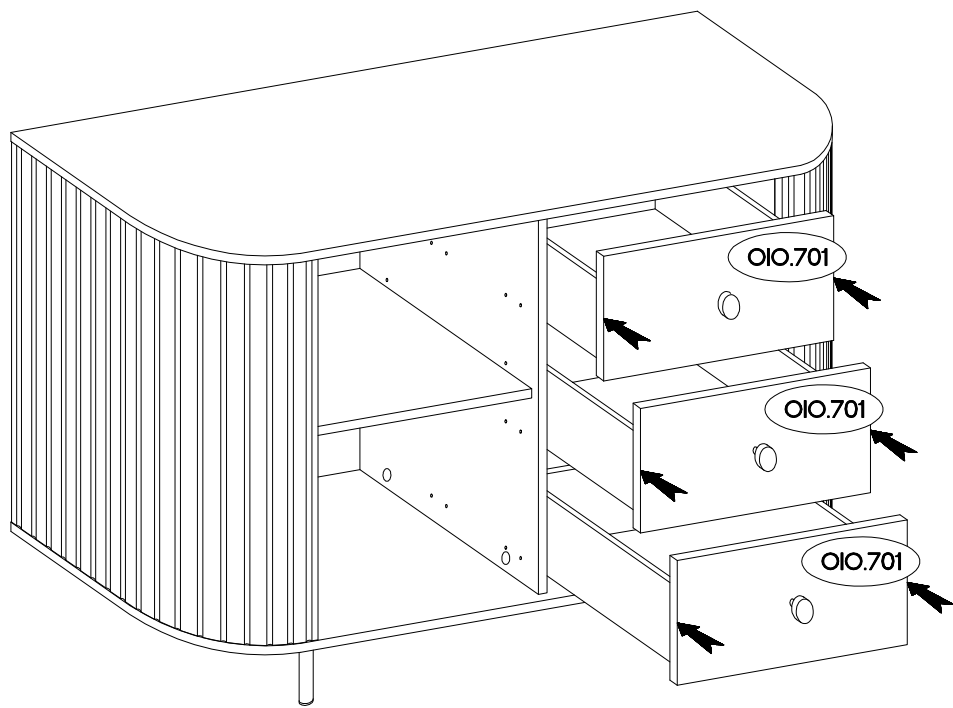
	[CD]	+20/8mm	+6.3x13mm	+6.3x20mm
L=350mm	I8	J14	M2	M3
1	4	4	4	



# 16

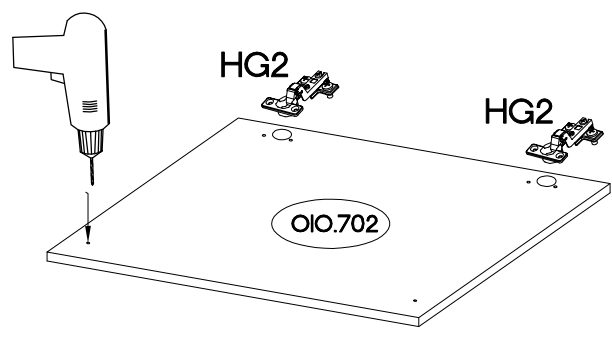
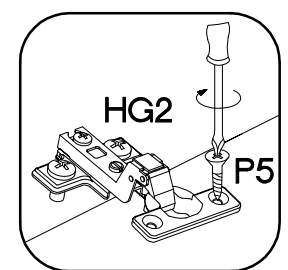
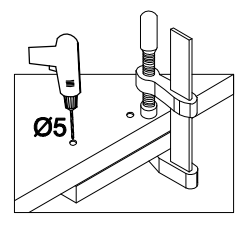
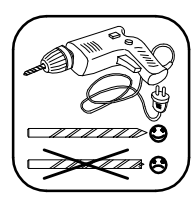
+5/16mm

J3
4

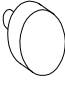




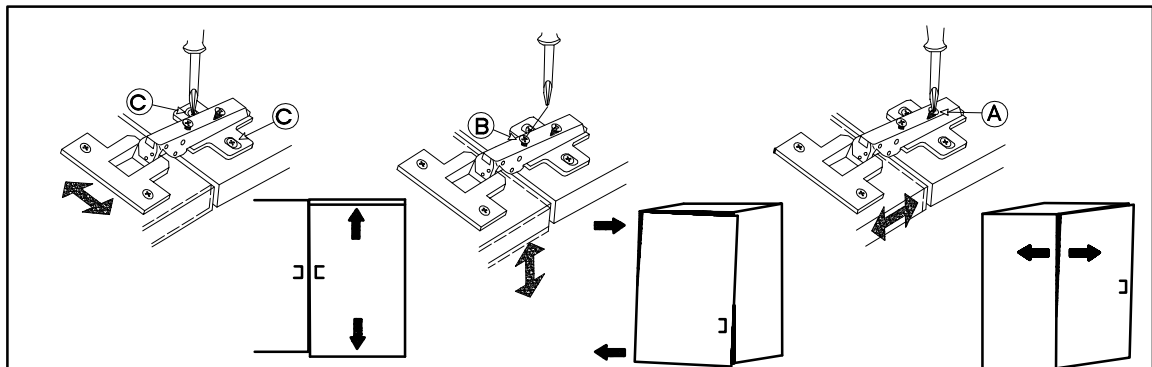
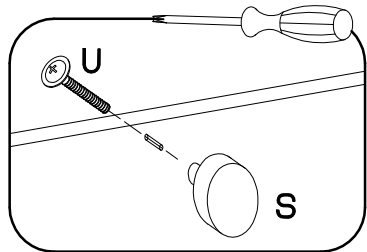
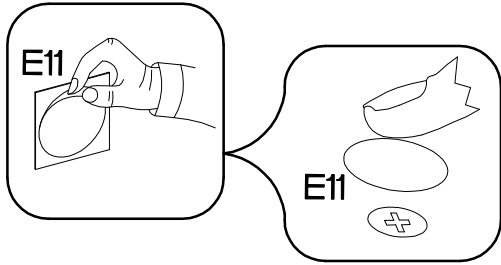
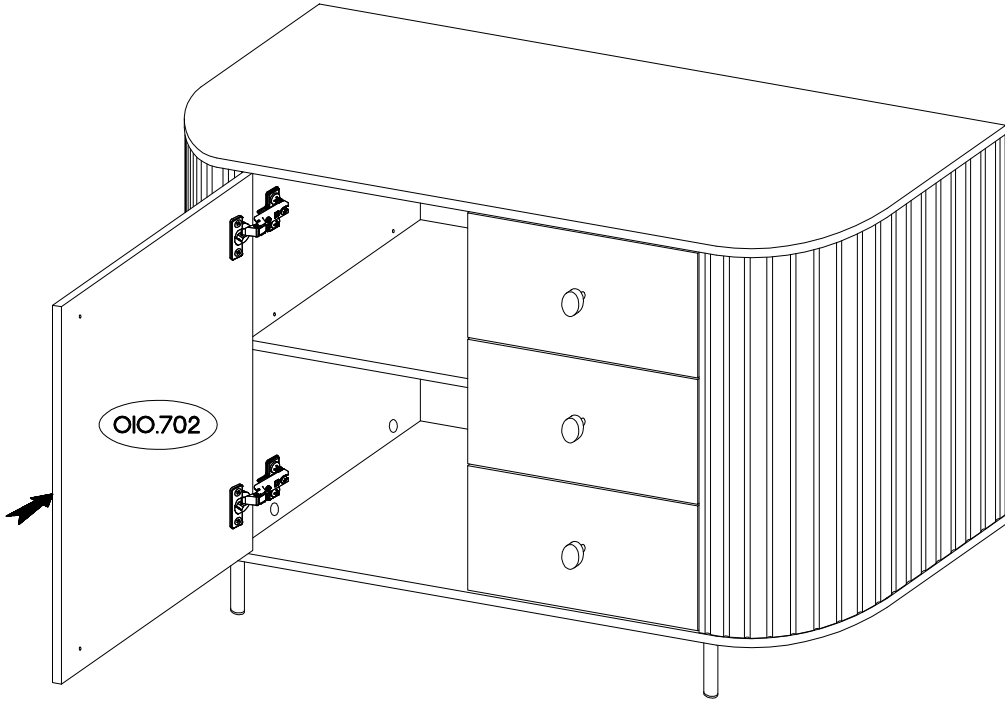
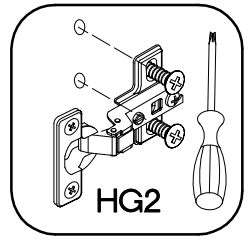


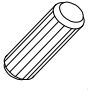



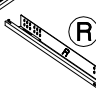
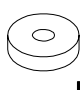


	M4x22mm	φ3.0x20mm
3	3	6

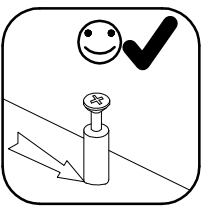
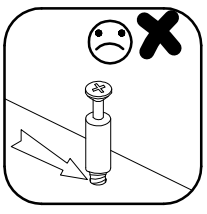
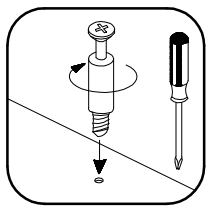
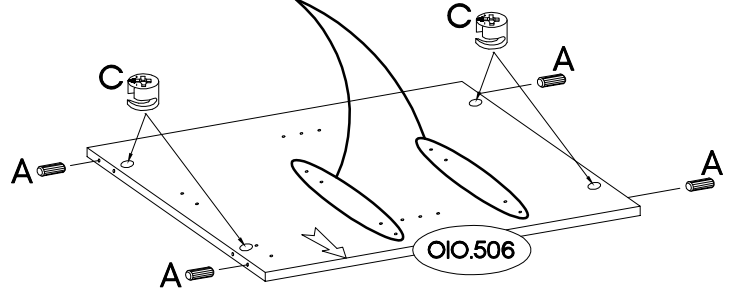
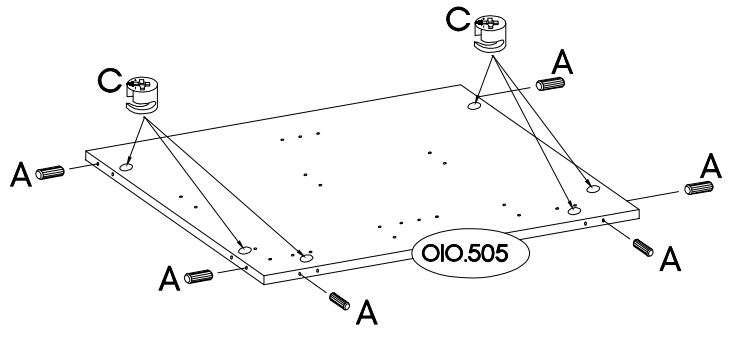
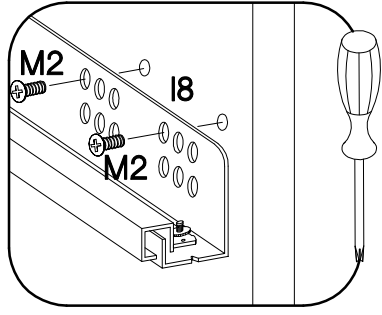
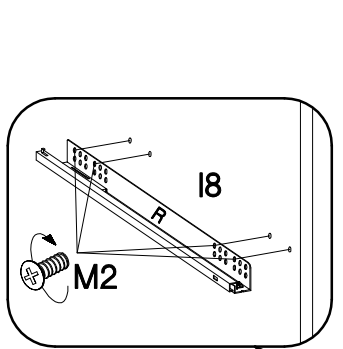
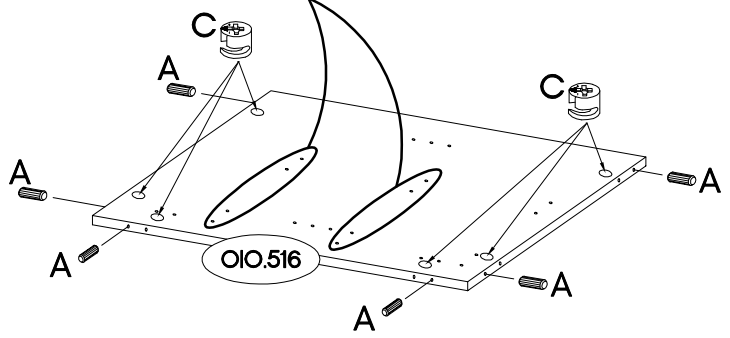
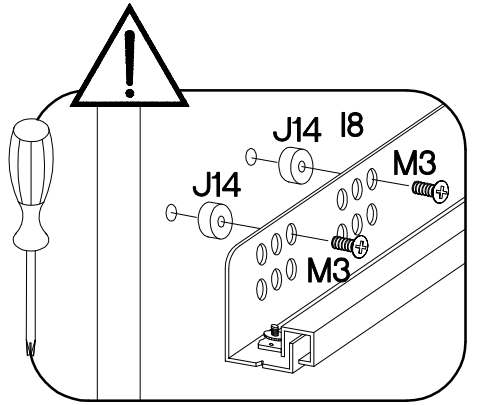
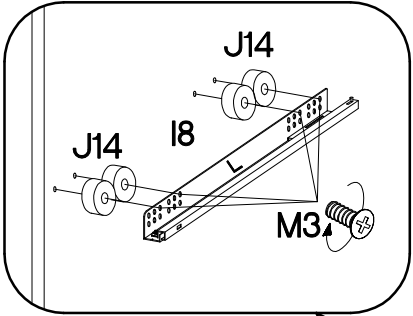
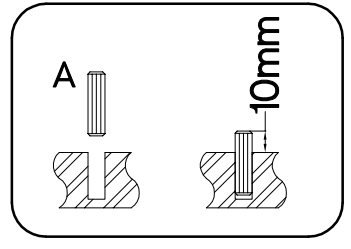
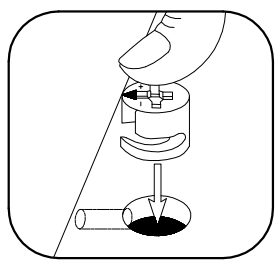
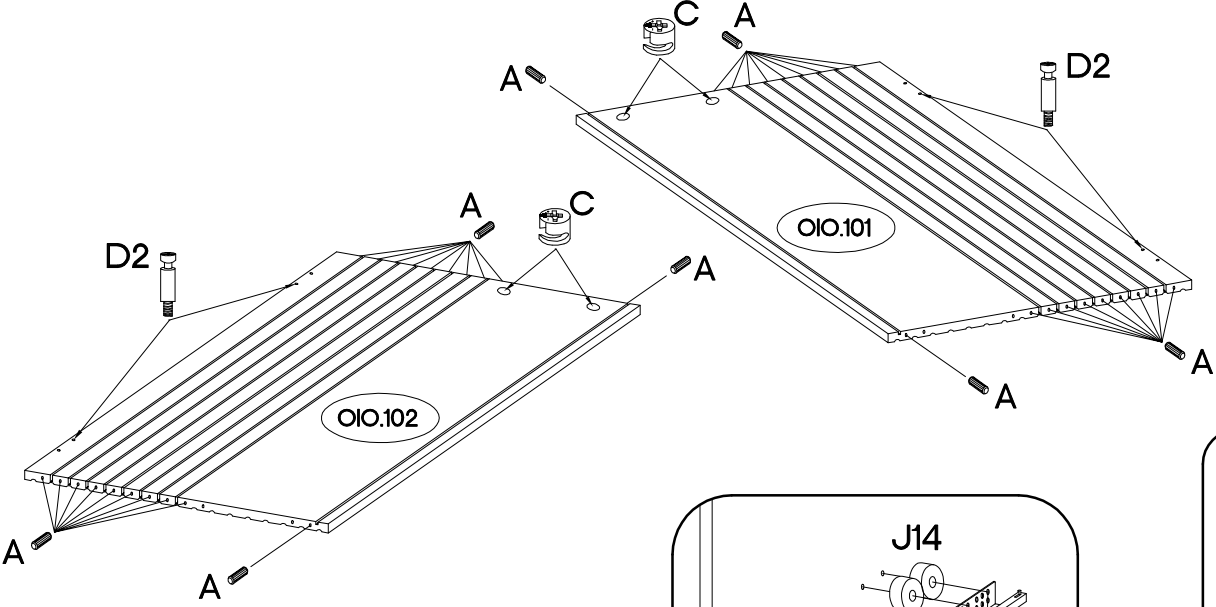
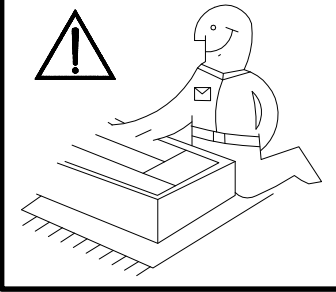
φ35/16mm	φ3.5x13mm
[CD] HG2	P5
2	4






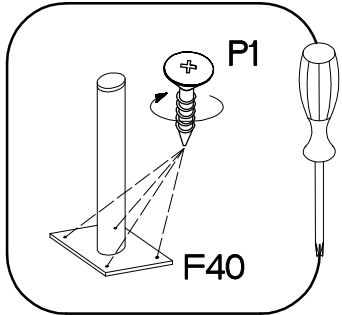
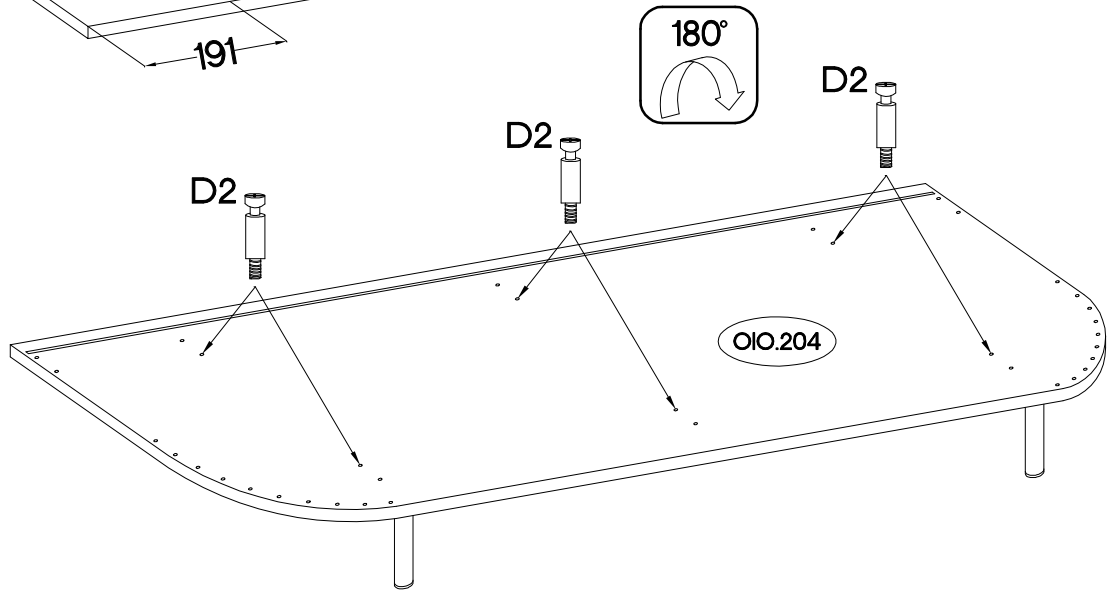
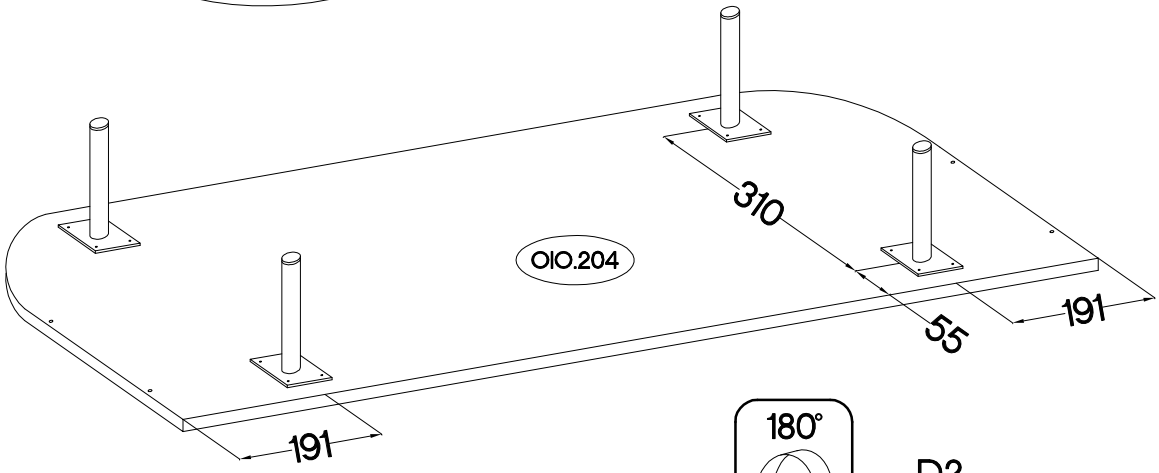
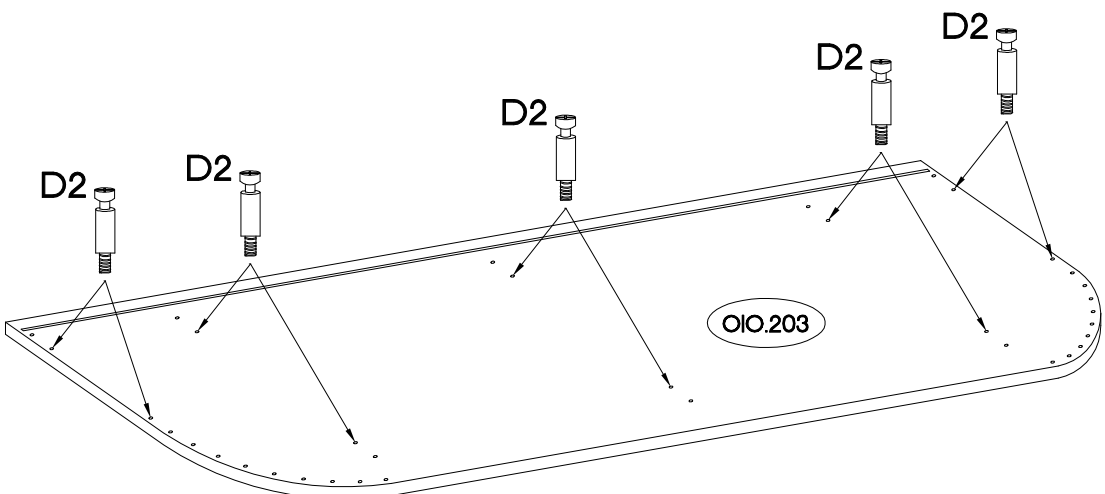
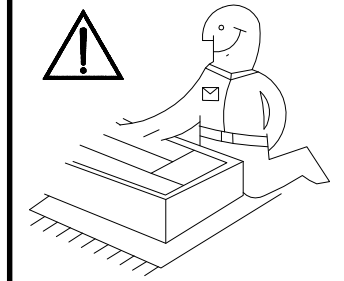
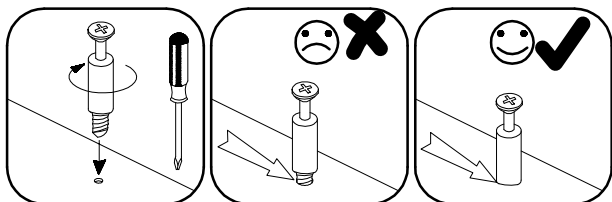
 S	M4x22mm  U	t20  E11
1	1	8

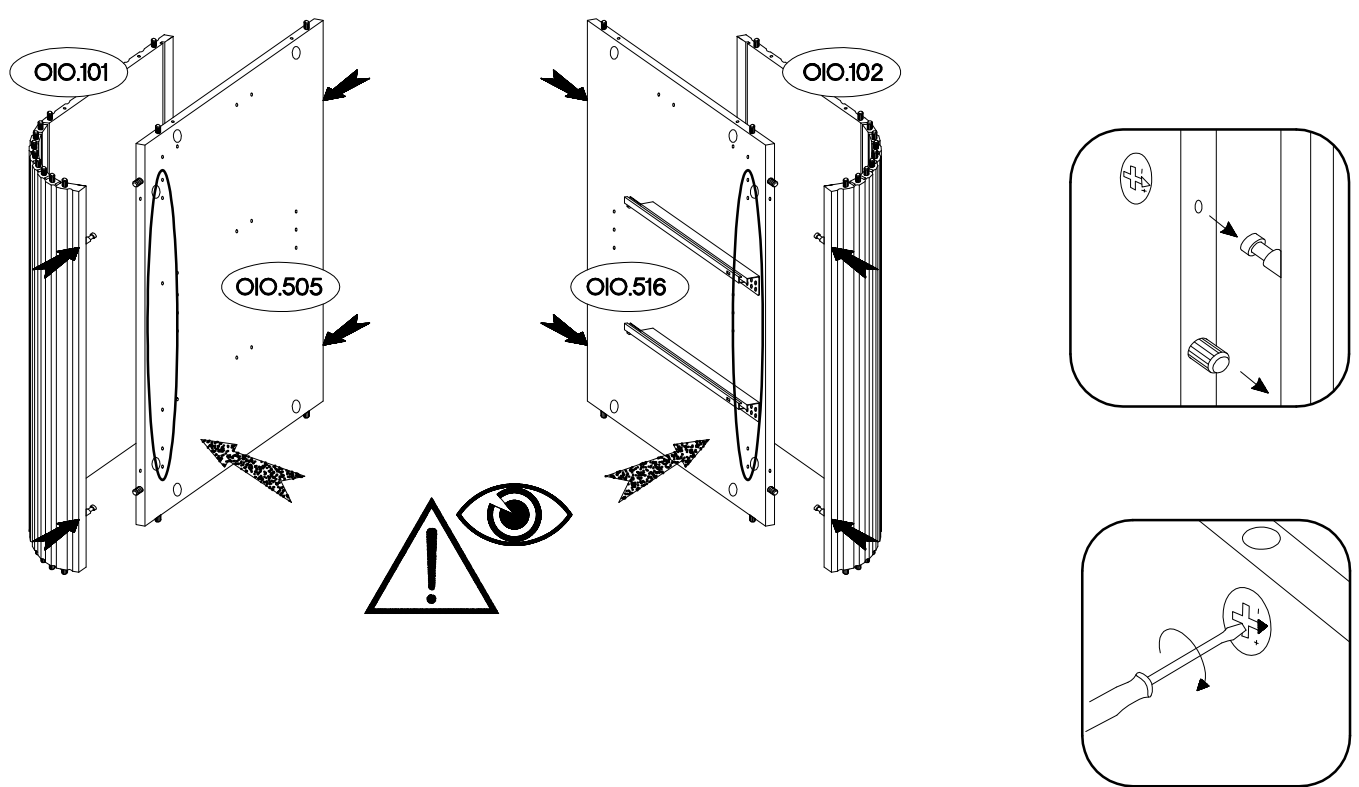
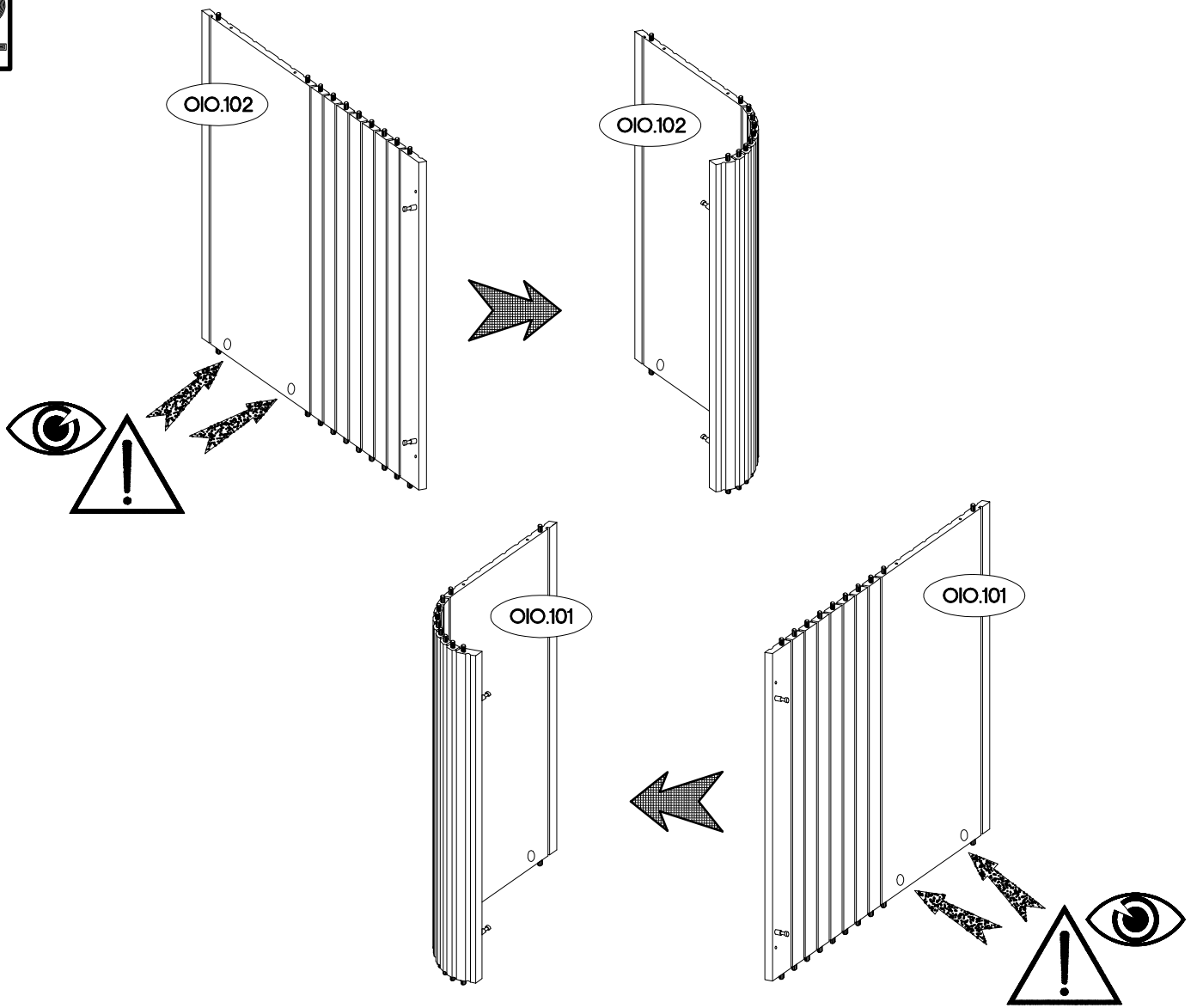


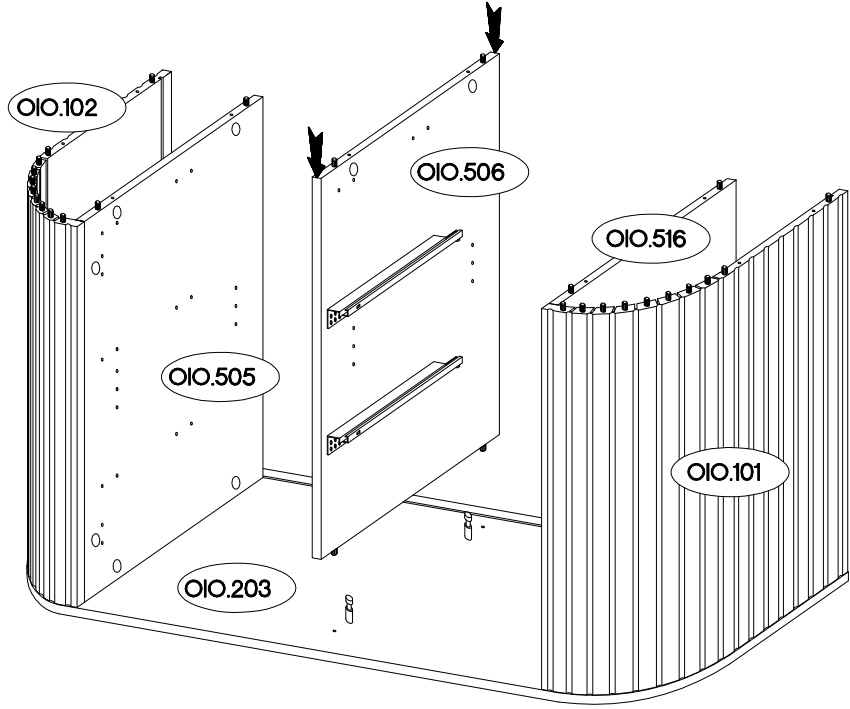
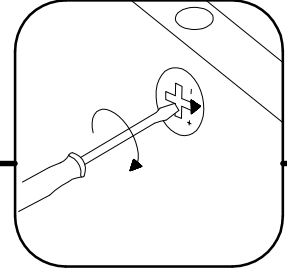
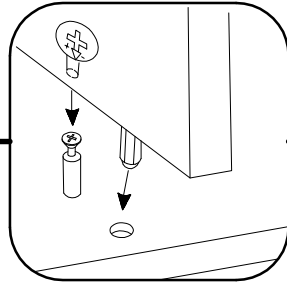
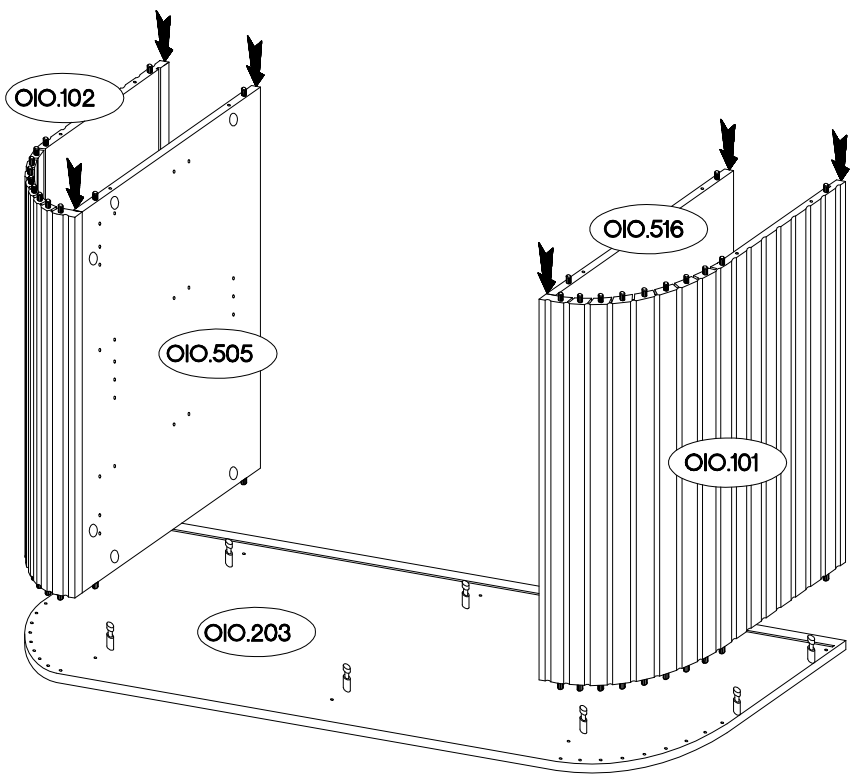
+8x30mm  A 56	+15/12mm  C 20	L=20mm  D2 4	[CD]  L  R I8 2	+20/8mm  J14 8	+6.3x13mm  M2 8	+6.3x20mm  M3 8
--	---	---	---	---	---	--

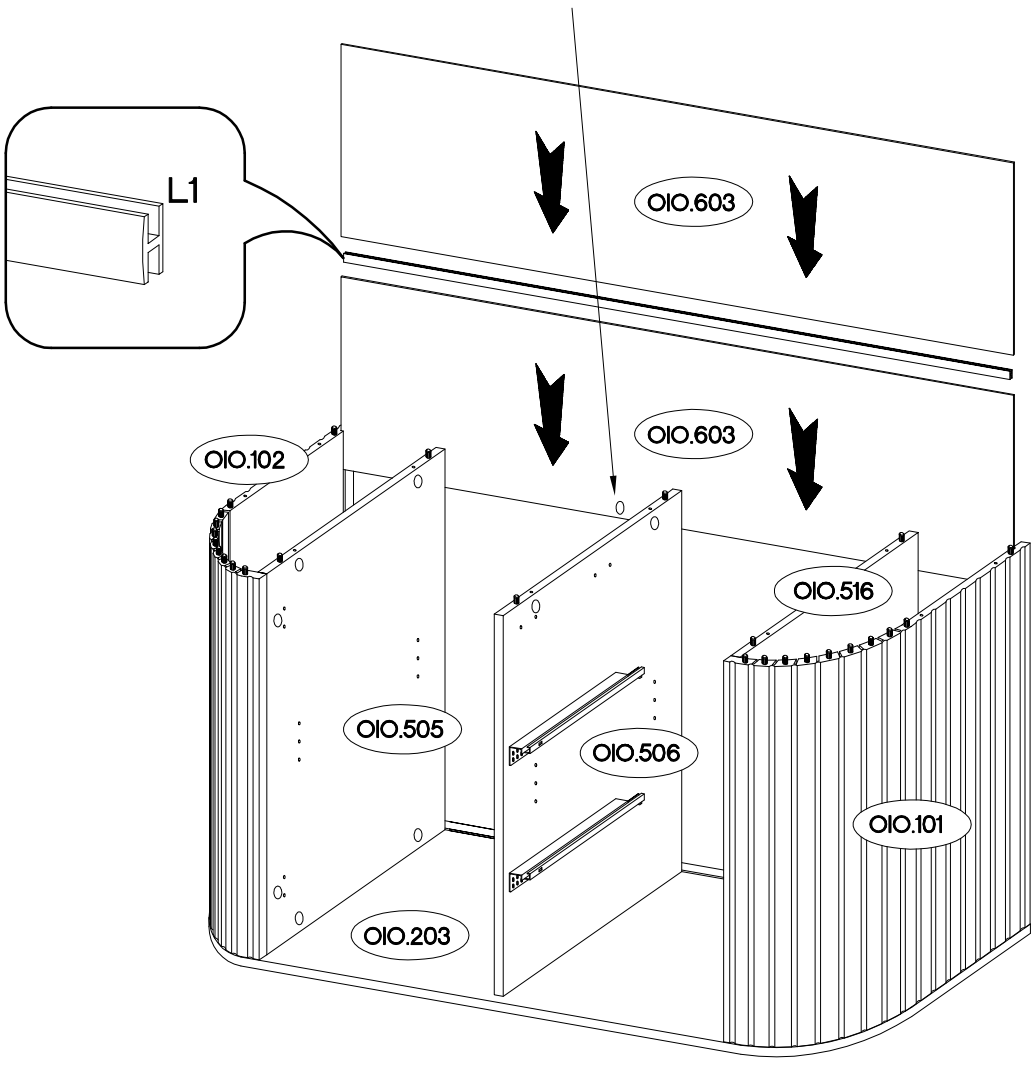
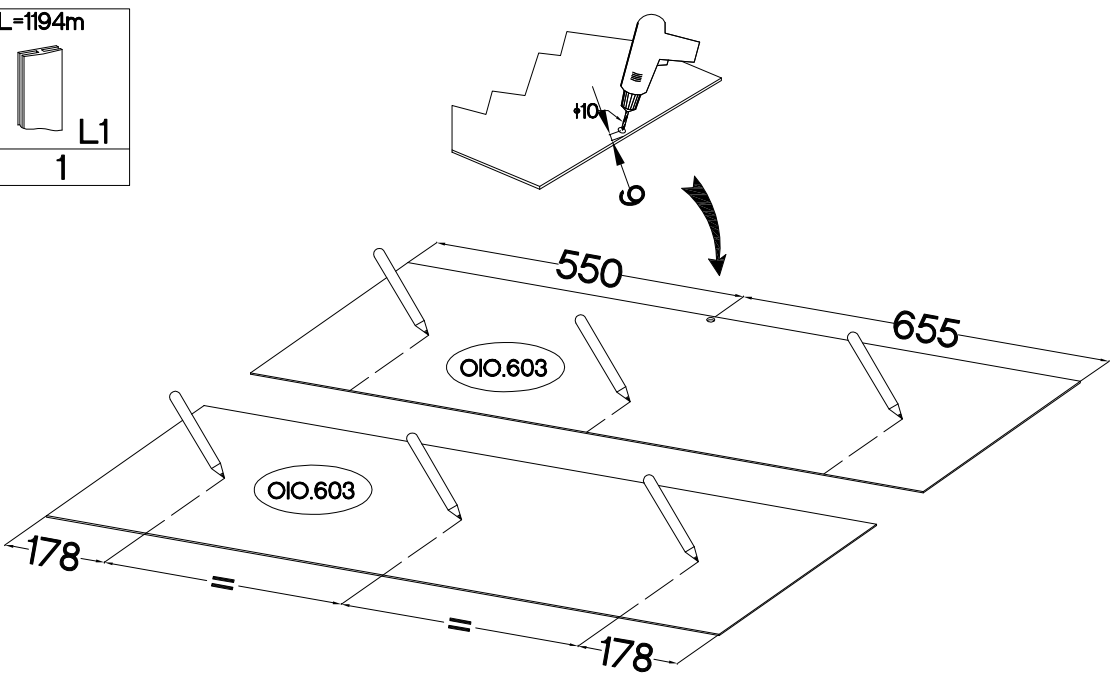
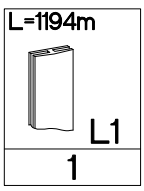



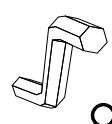
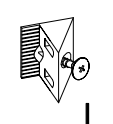

L=20mm  D2 16	L=150mm  F40 4	+4.0x16mm  P1 16
--	---	---

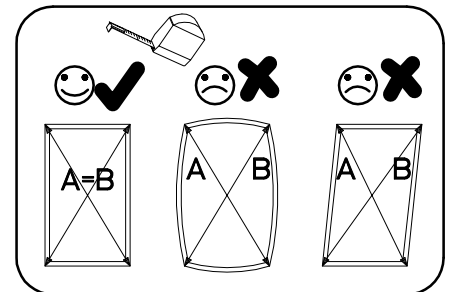
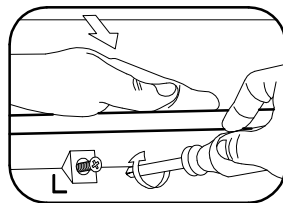
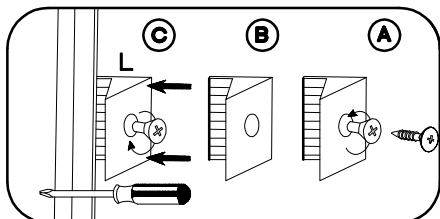
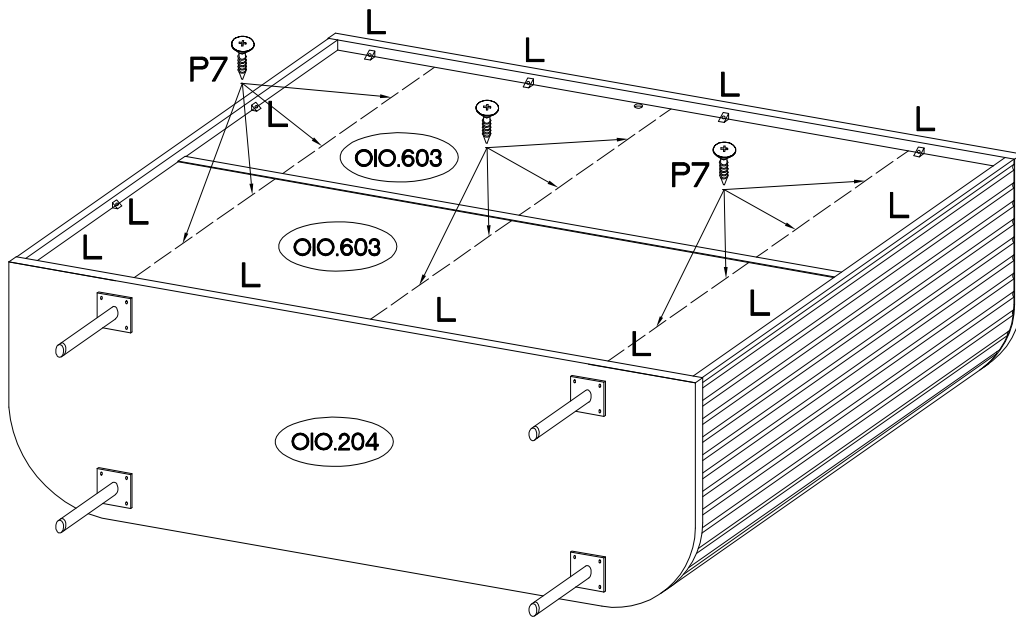
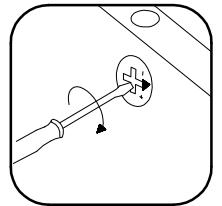
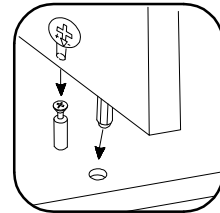
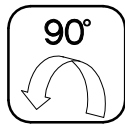
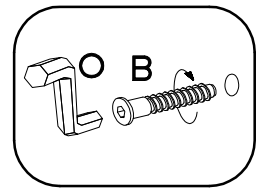
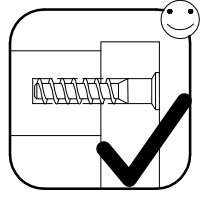
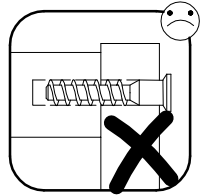
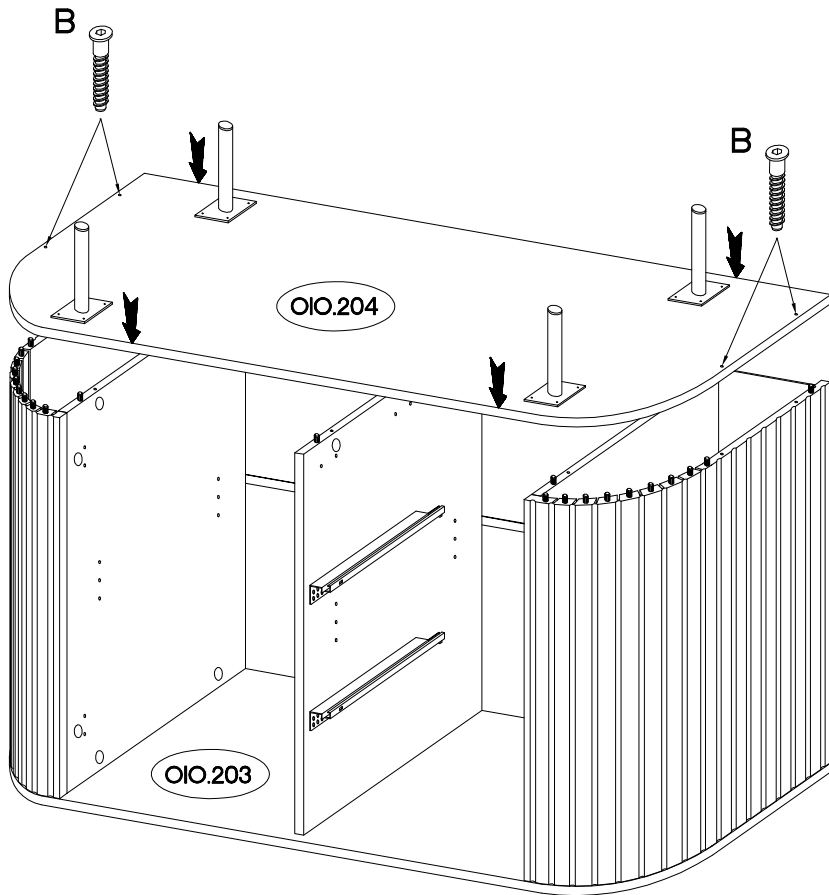







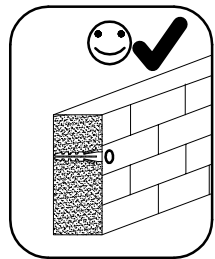
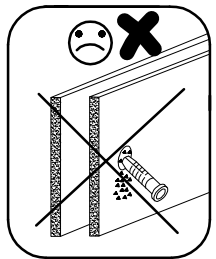
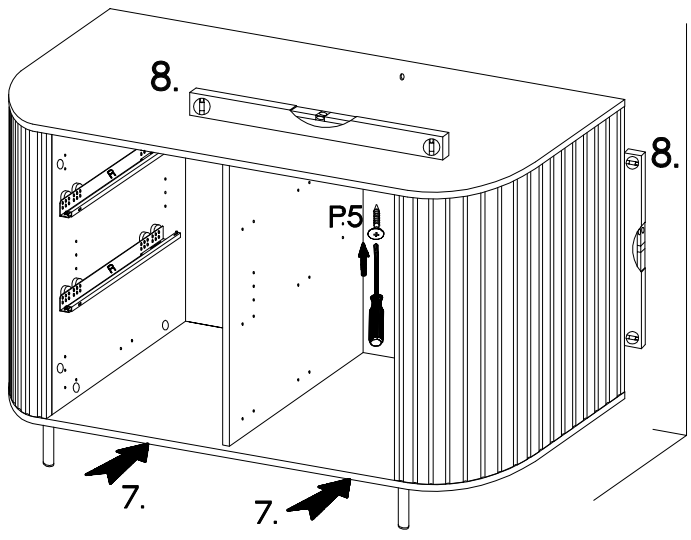
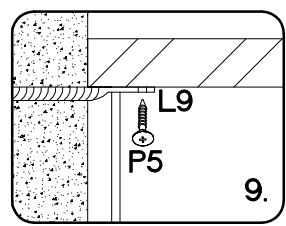
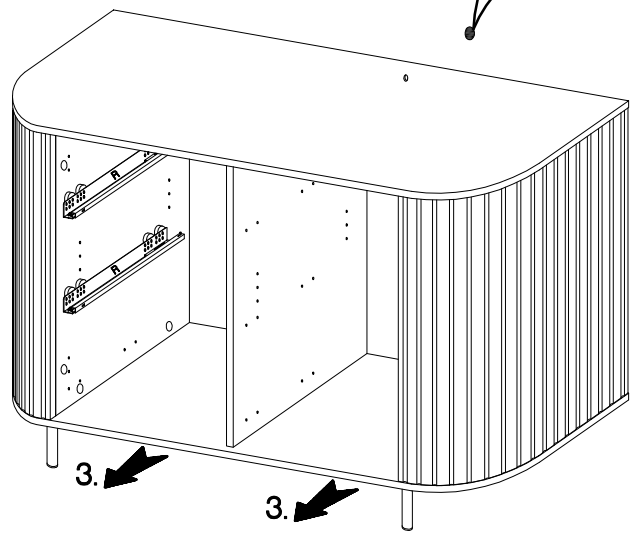
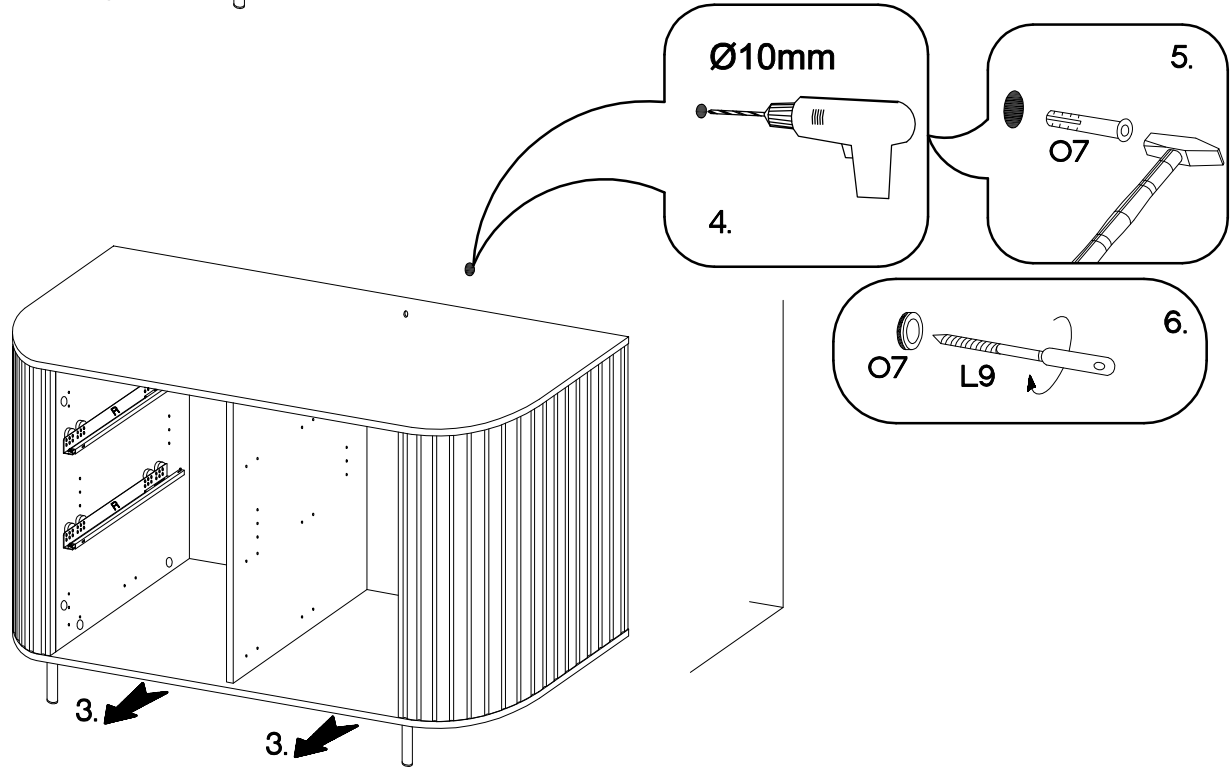
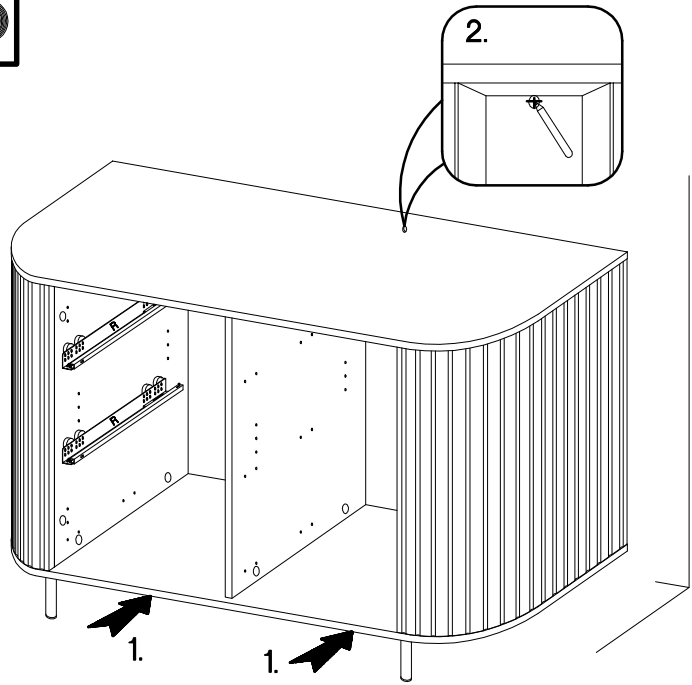


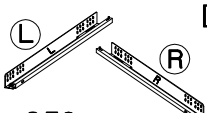
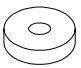




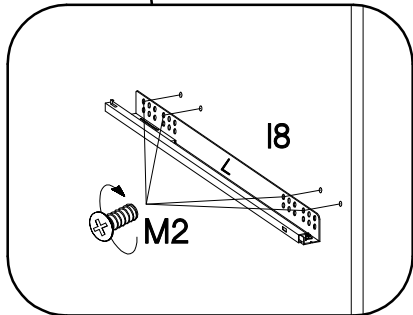
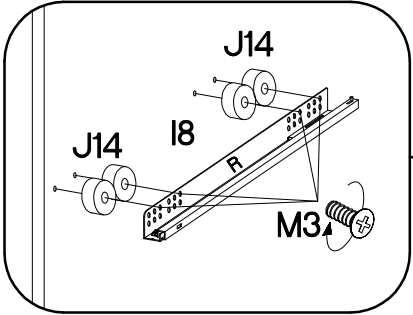
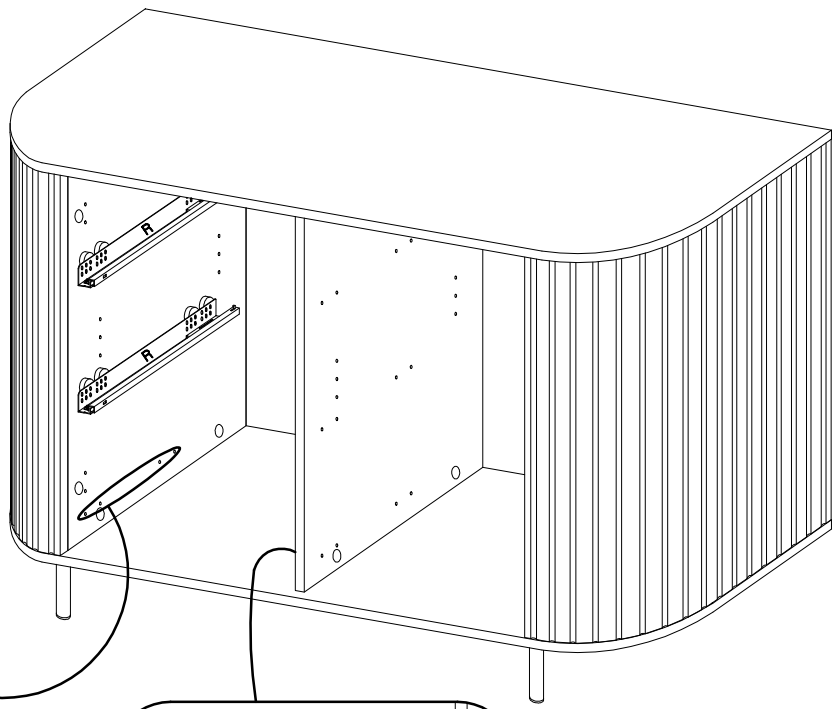
6,4 x 50mm  B 4	 O 1	 L 12	±3.0x20mm  P7 12
--	--	---	---

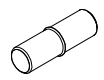


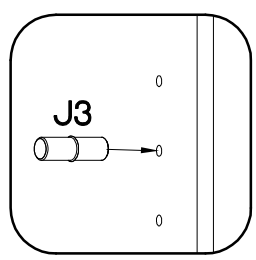
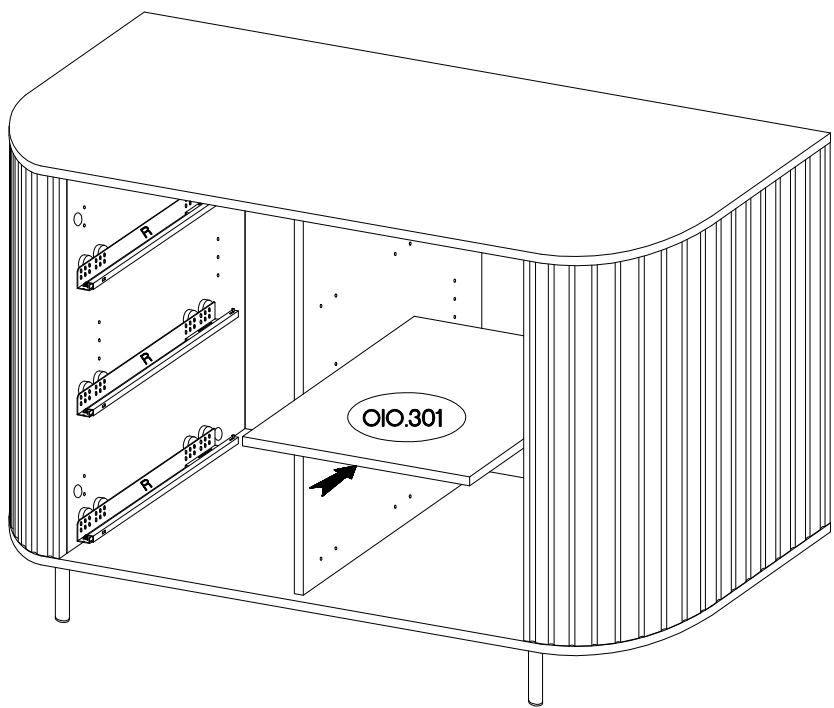
+10x50mm 		+3.5x13mm 
O7	L9	P5
1	1	1

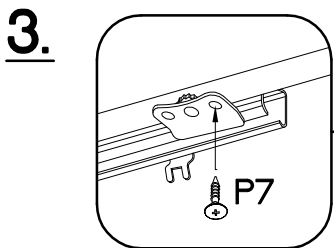
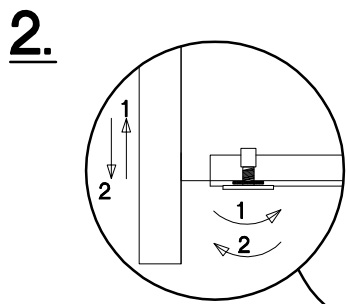
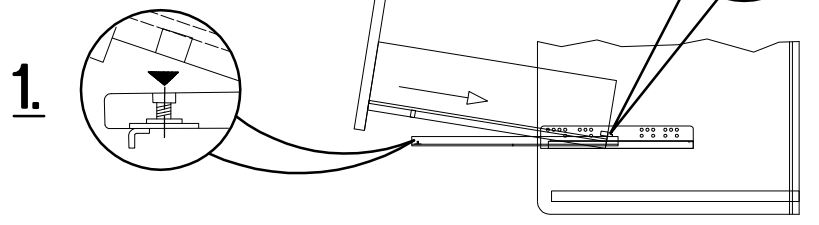
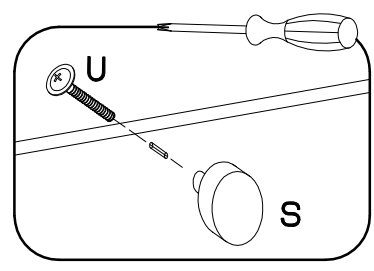
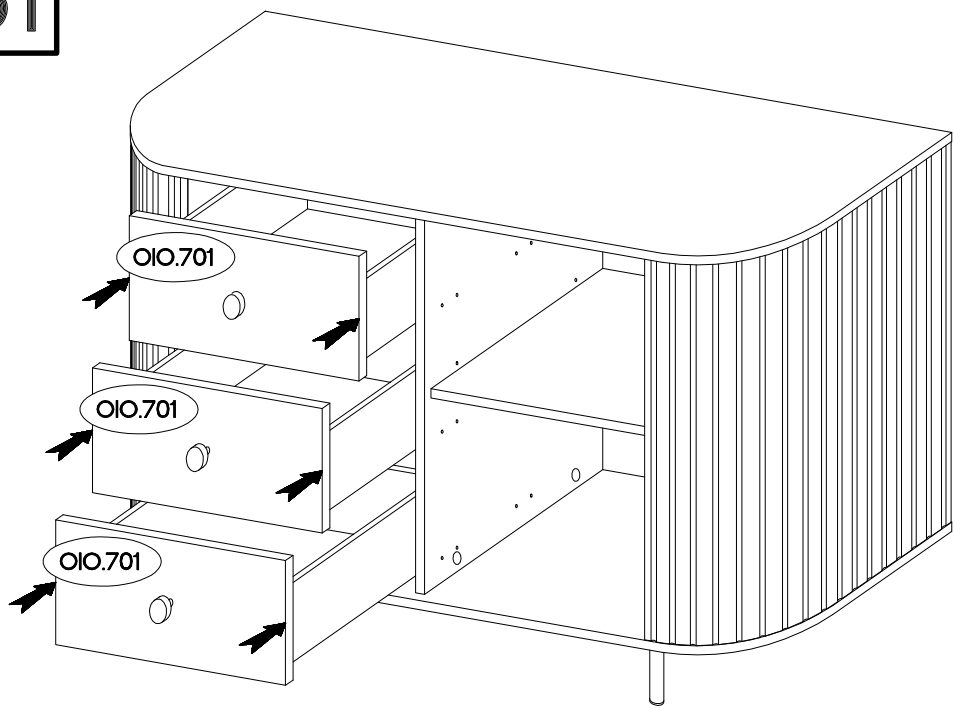


 L L=350mm	[CD] I8	 +20/8mm J14	 +6.3x13mm M2	 +6.3x20mm M3
1		4	4	4



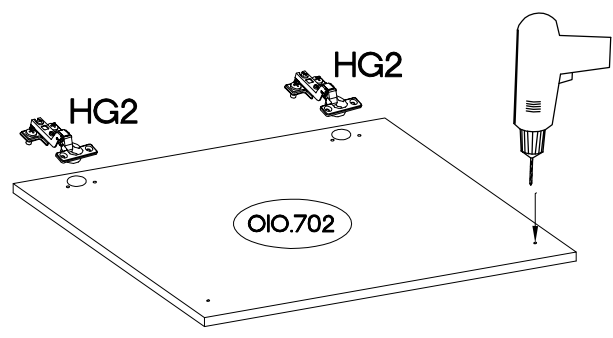
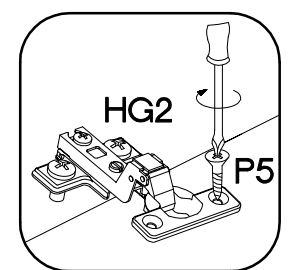
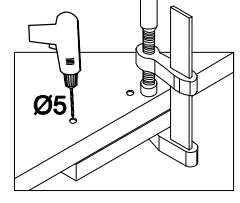
 +5/16mm
J3
4

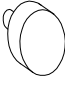

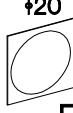




	M4x22mm	φ3.0x20mm
3	3	6

φ35/16mm	φ3.5x13mm
[CD] HG2	P5
2	4



 S	M4x22mm  U	 E11
1	1	4

