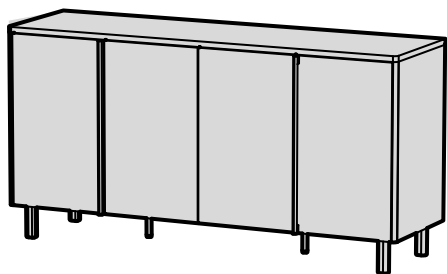


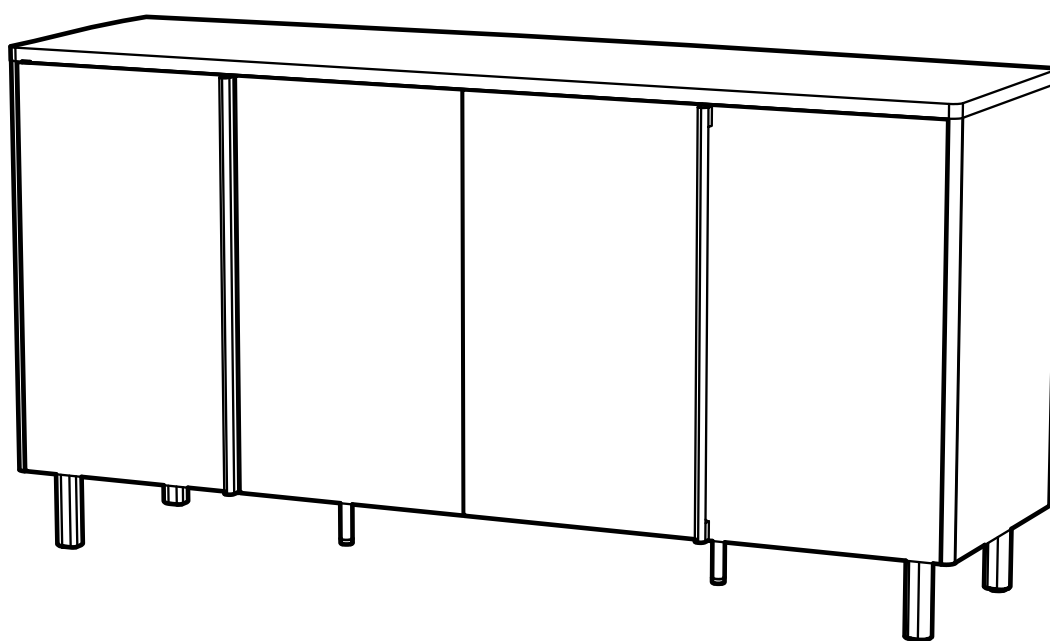
WELL

VOX

4024241_001



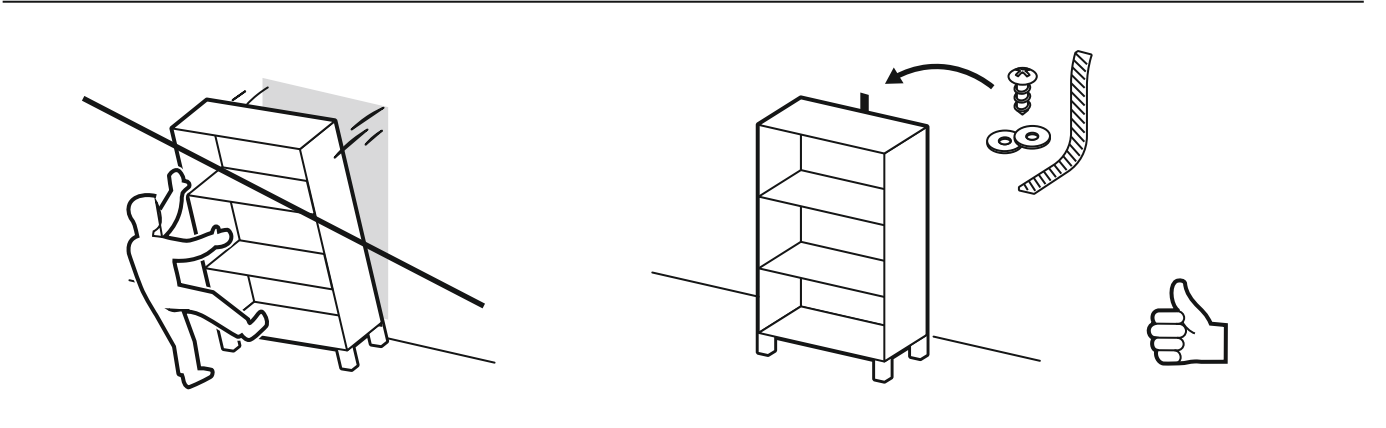
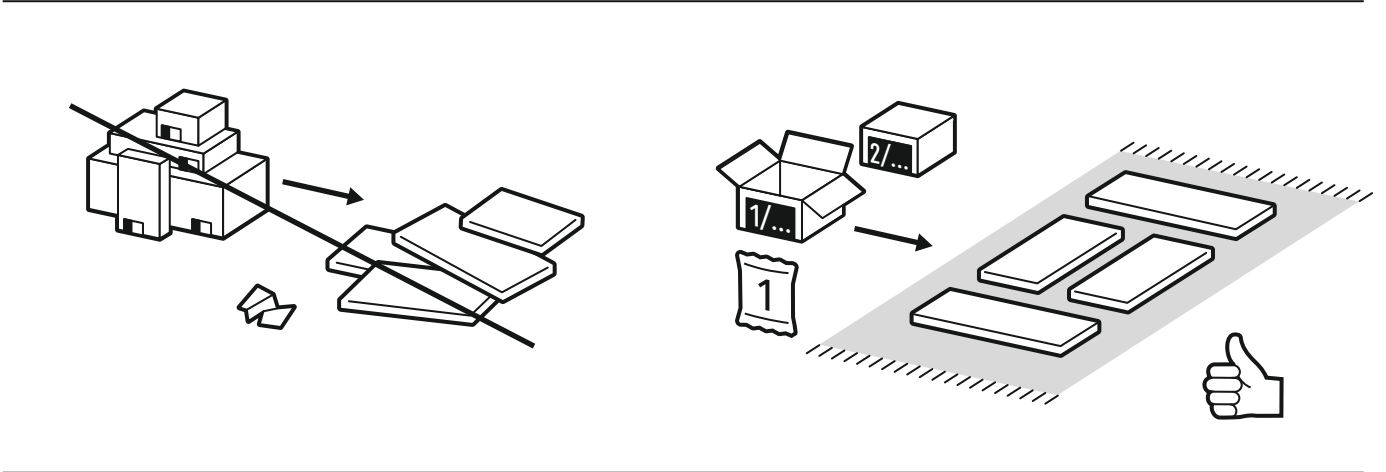
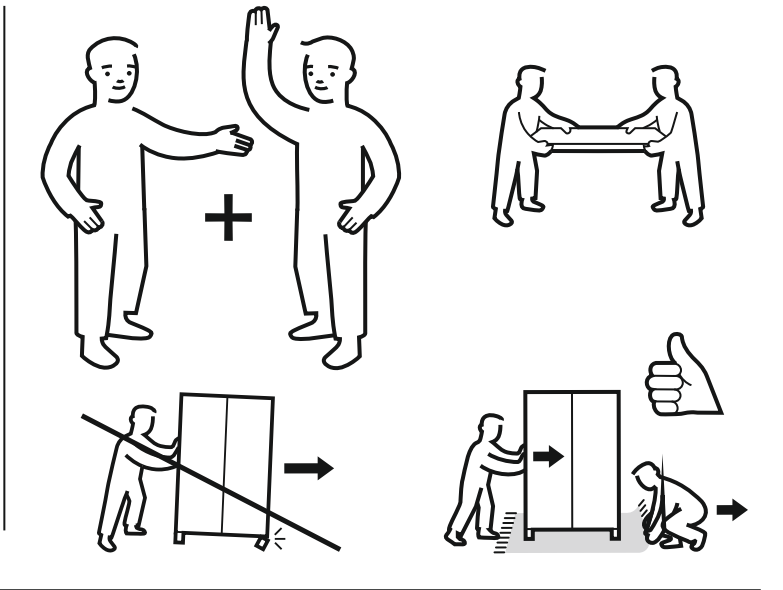
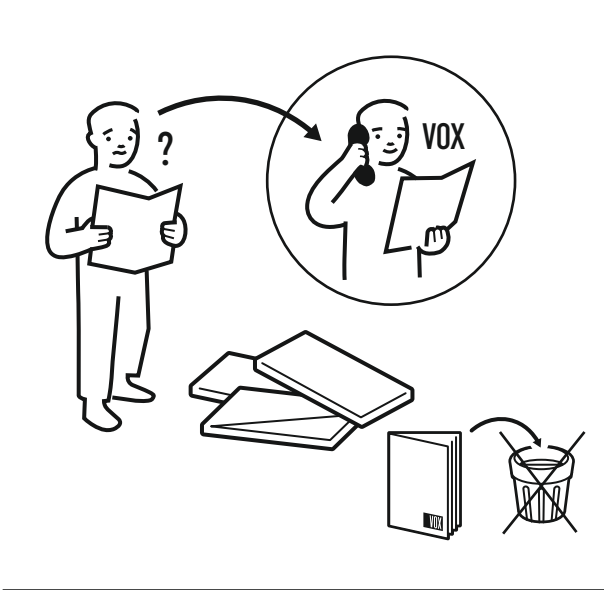
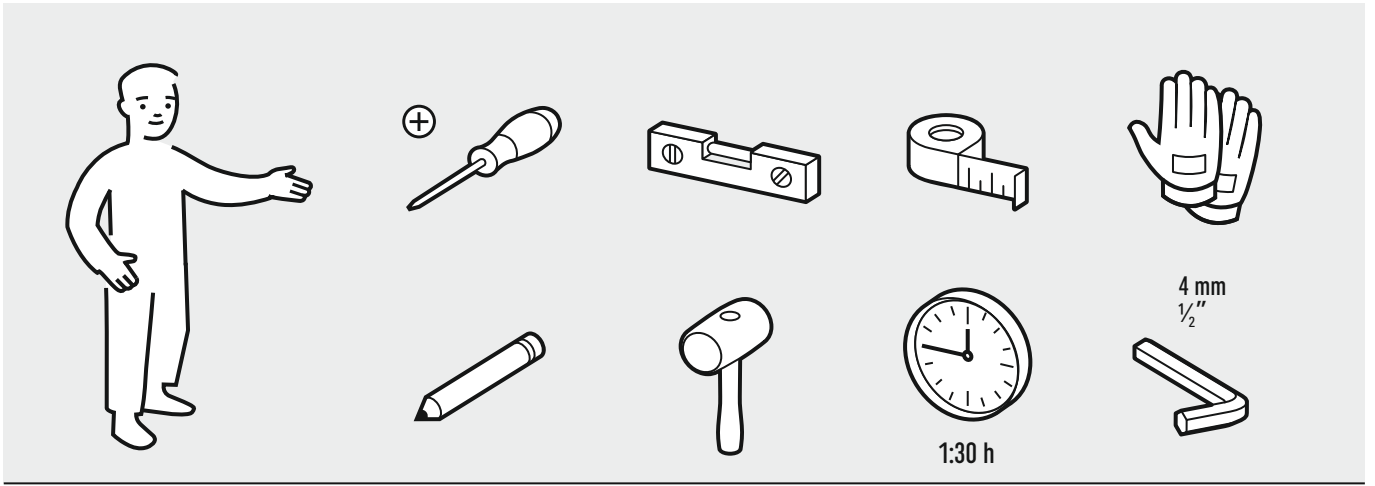
163 x 46 x 83 cm
72 x 18 x 32 3/4"

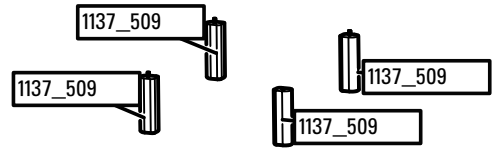
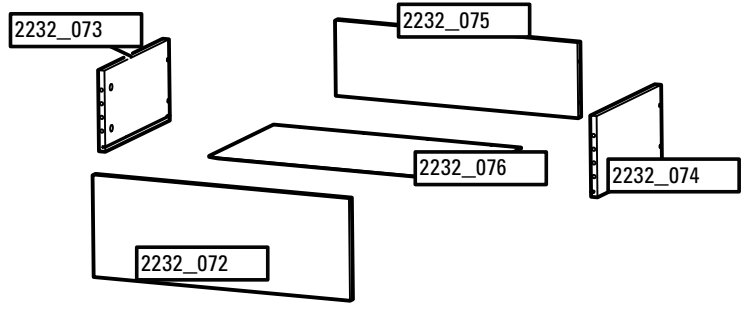
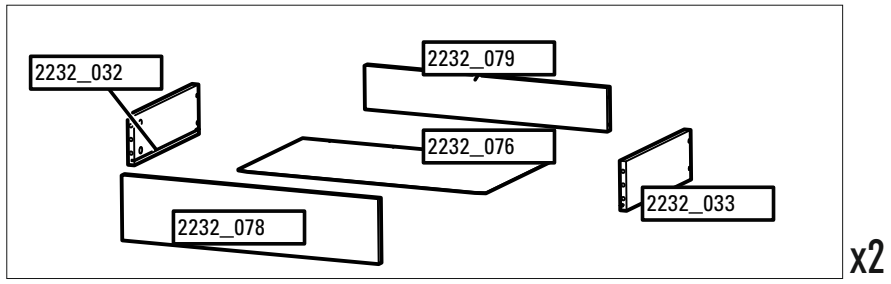
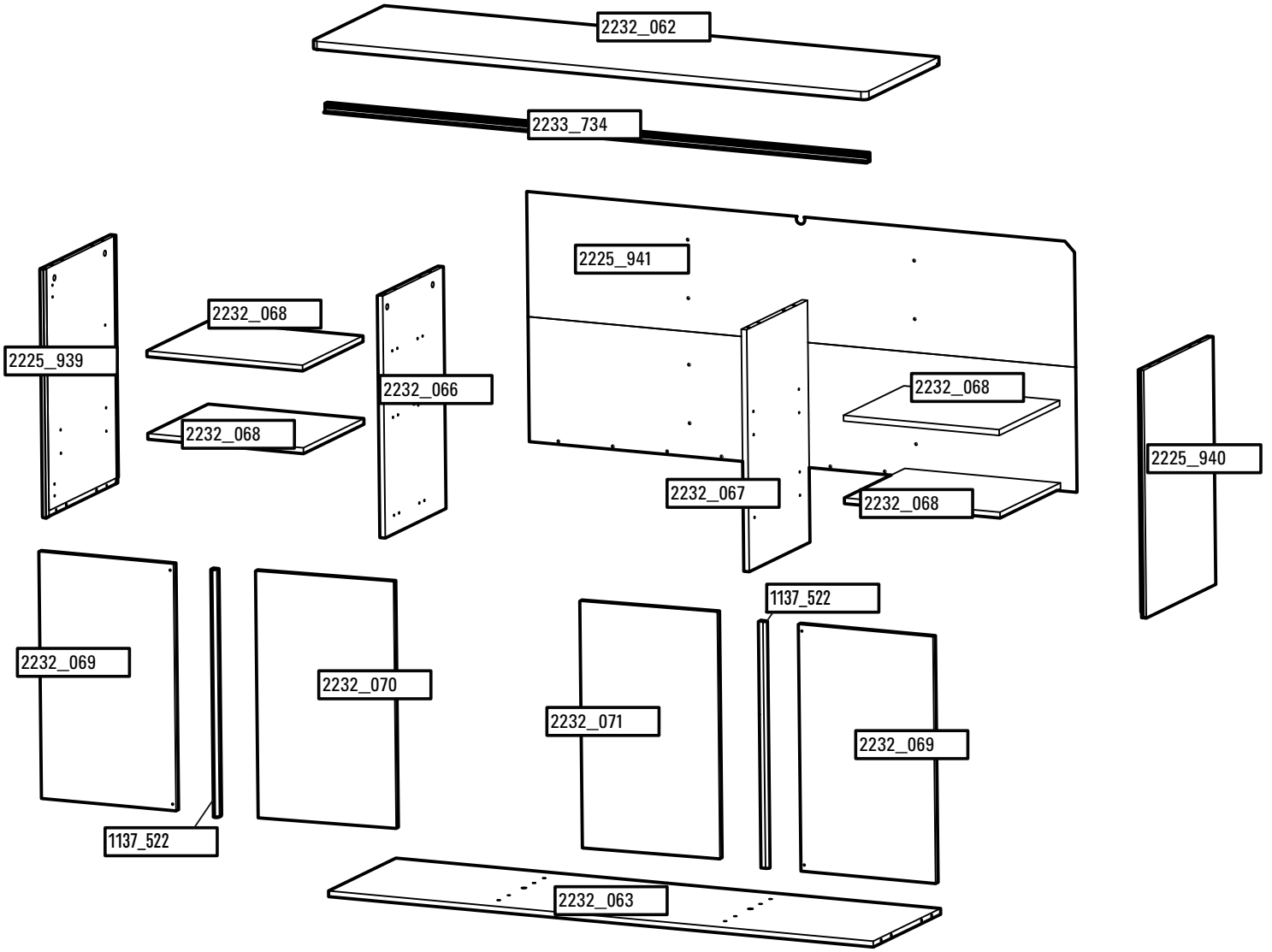


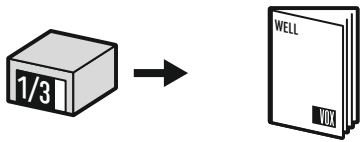
PL • vox.pl

EU • voxfurniture.com

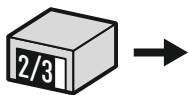
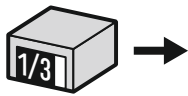
US • voelkelcorp.com



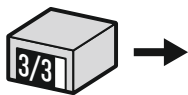





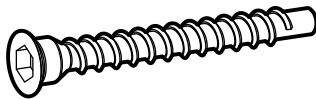
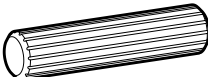


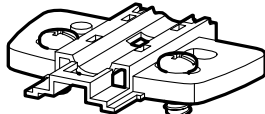
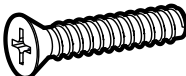
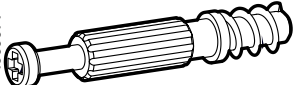
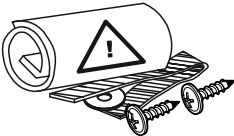
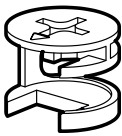

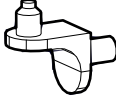

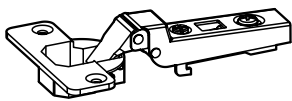
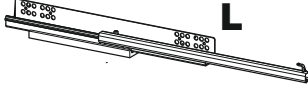
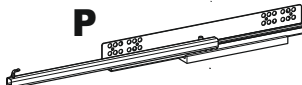
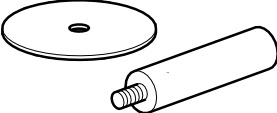


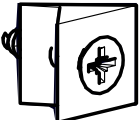


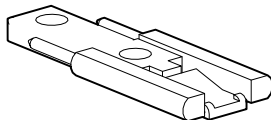
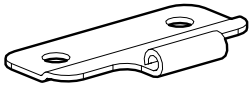
- | | | | |
|----------|----|----------|----|
| 2232_070 | x1 | 2232_069 | x2 |
| 2232_071 | x1 | 2225_939 | x1 |
| 1137_509 | x4 | 2225_940 | x1 |
| 1137_522 | x2 | | |


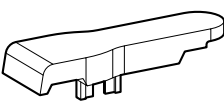
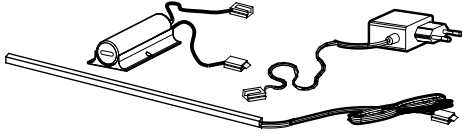
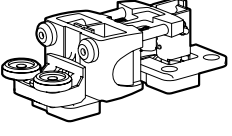
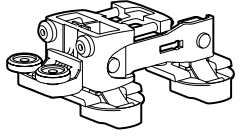
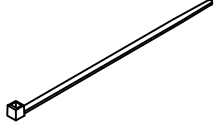



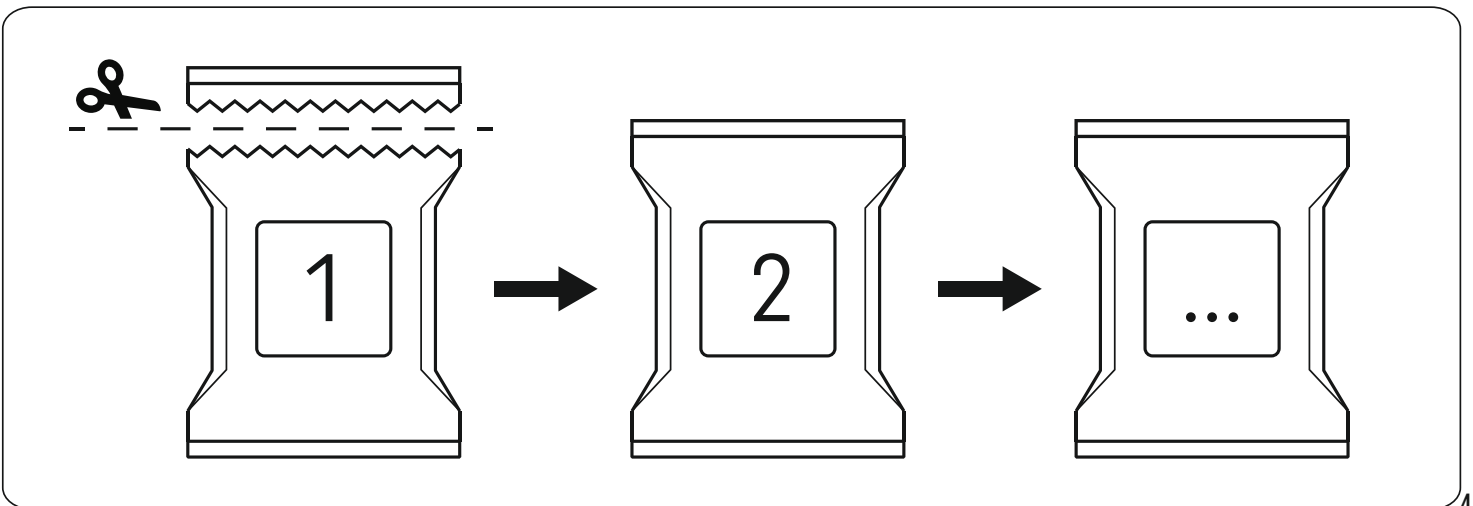
- | | | | | | |
|----------|----|----------|----|----------|----|
| 2232_066 | x1 | 2232_033 | x2 | 2232_078 | x2 |
| 2232_067 | x1 | 2232_073 | x1 | 2232_075 | x1 |
| 2232_076 | x3 | 2232_074 | x1 | 2232_072 | x1 |
| 2232_032 | x2 | 2232_068 | x4 | 2232_079 | x2 |




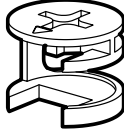
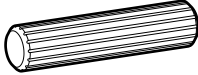
- | | |
|----------|----|
| 2232_062 | x1 |
| 2225_941 | x1 |
| 2232_063 | x1 |
| 2233_734 | x1 |

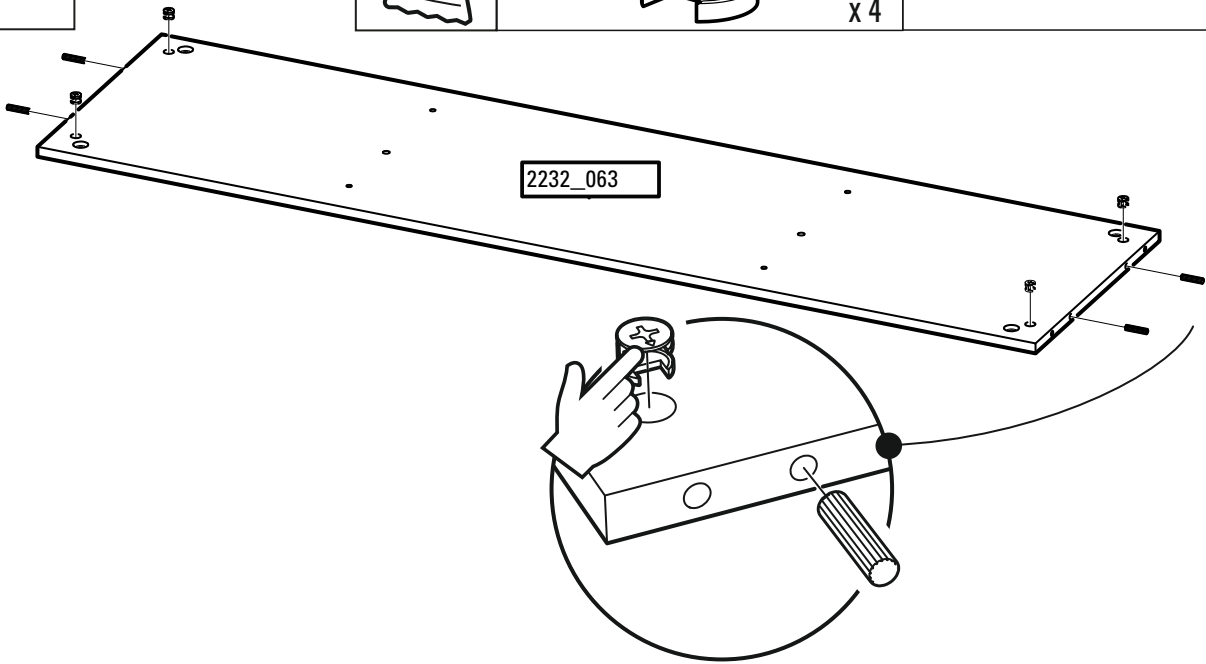
1101311  x 4	1005876  x 16	1005857  x 24	1120368  x 4
1005681  x 56	1003526  x 2	1005907  x 4	1006091  x 20
1000893  x 1	1005990  x 24	1006012  x 36	1001262  x 16
1005417  x 2	1136238  x 4	1000993  x 3	1000993  x 3
1137503  x 2	1005713  x 24	1001038  x 1	1006022  x 12
1004049  x 3	1114037  x 1	1123189  x 4	1123188  x 4

<p>1114025</p>  <p>x1</p>	<p>1123187</p>  <p>x2</p>	<p>1137497</p>  <p>x1</p>	
<p>1123181</p>  <p>x1</p>	<p>1123182</p>  <p>x1</p>	<p>1008286</p>  <p>x1</p>	<p>1008287</p>  <p>x1</p>


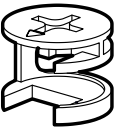

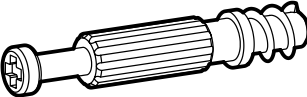
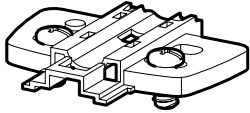


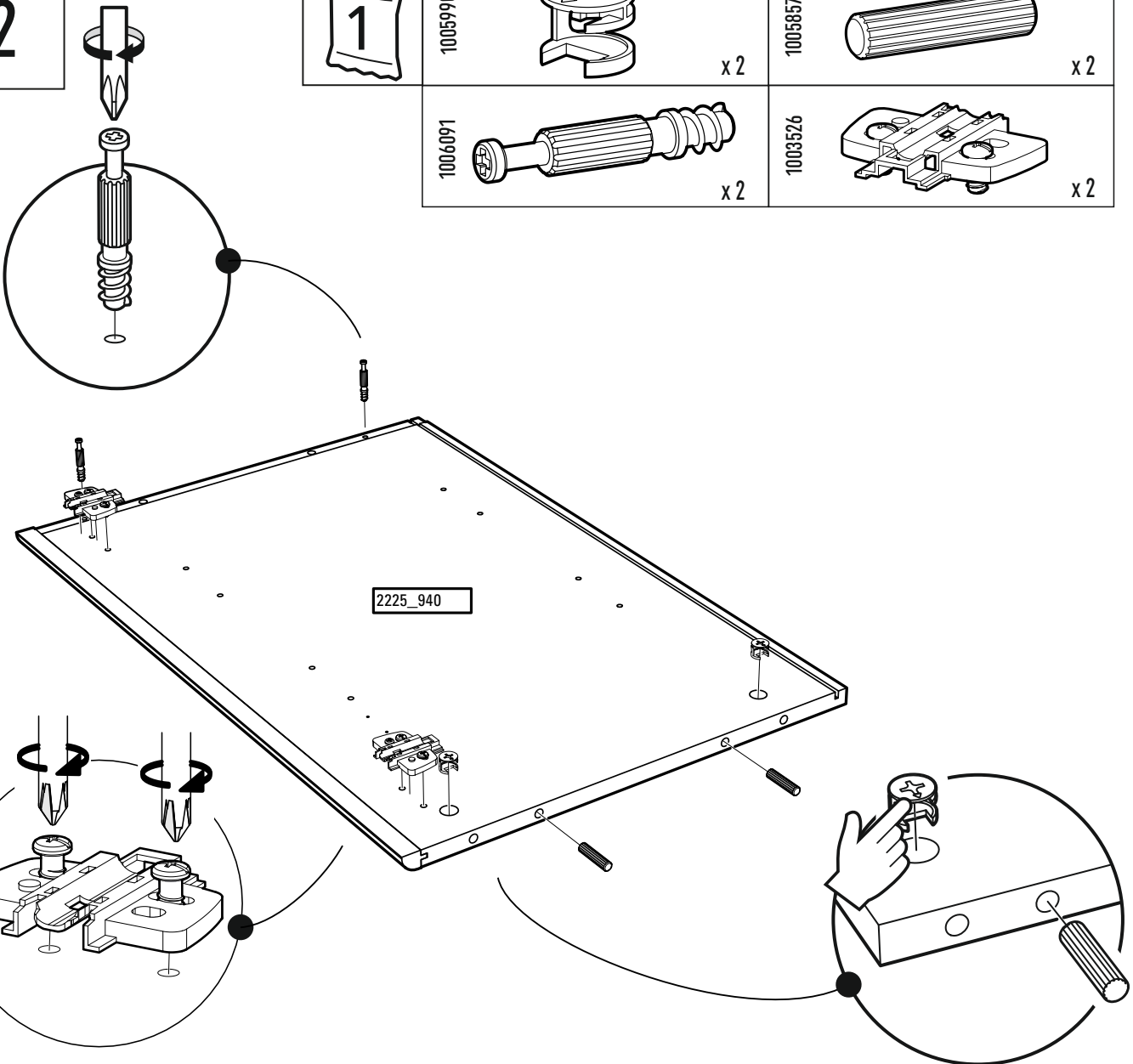
1

 1	1005990	 x 4	1005857	 x 4
---	---------	---	---------	---

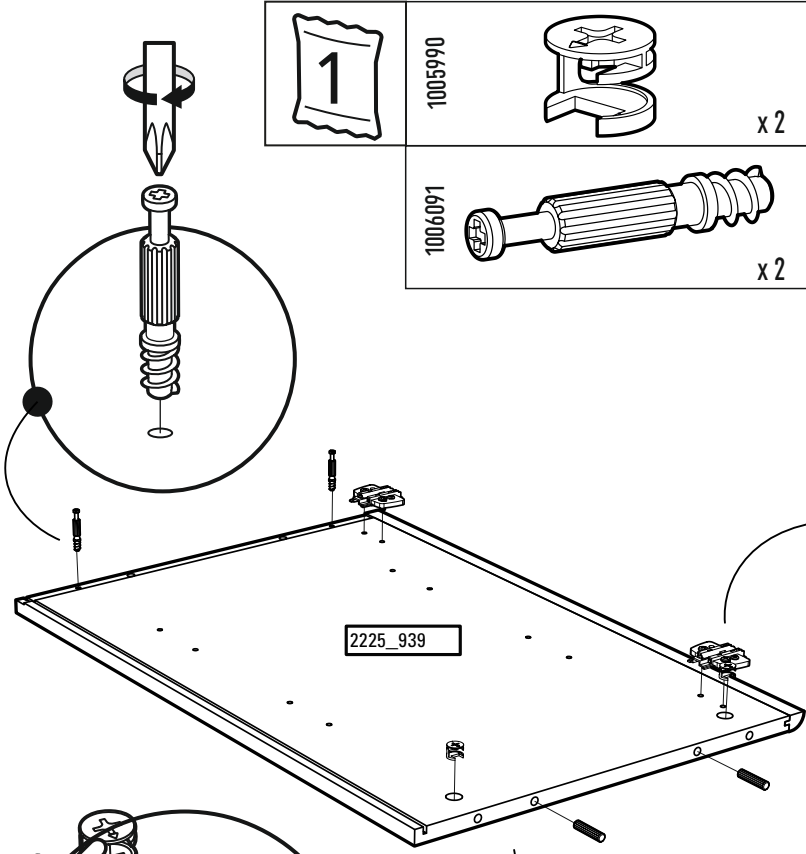


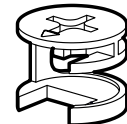

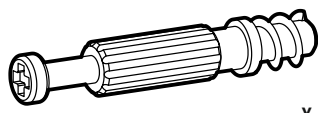
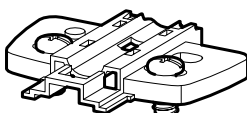
2

 1	1005990	 x 2	1005857	 x 2
	1006091	 x 2	1003526	 x 2

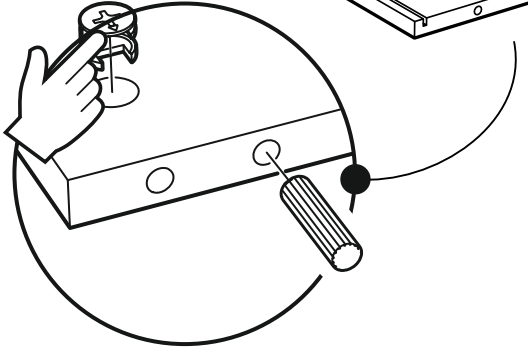



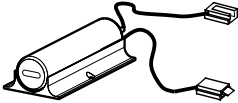
3

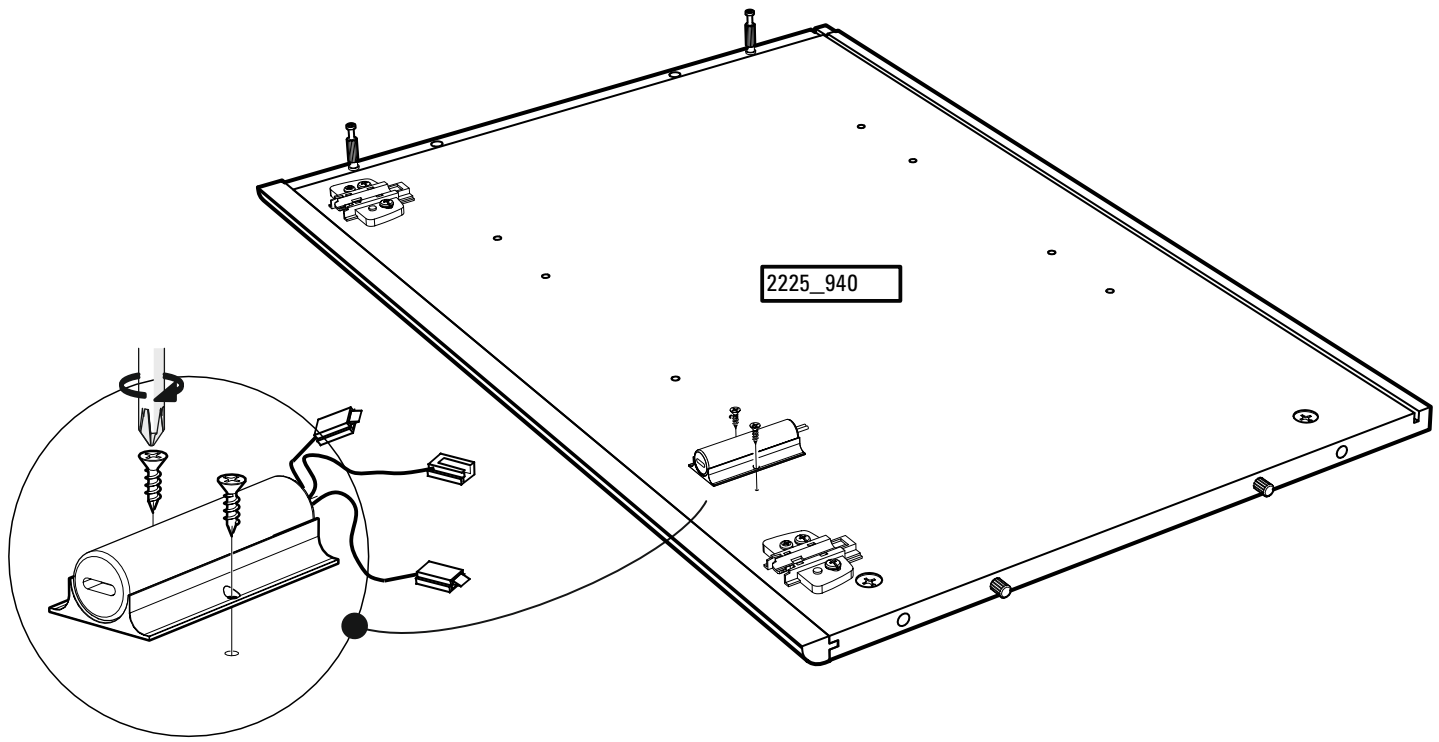


1	1005990	 x 2	1005857	 x 2
	1006091	 x 2	1003526	 x 2

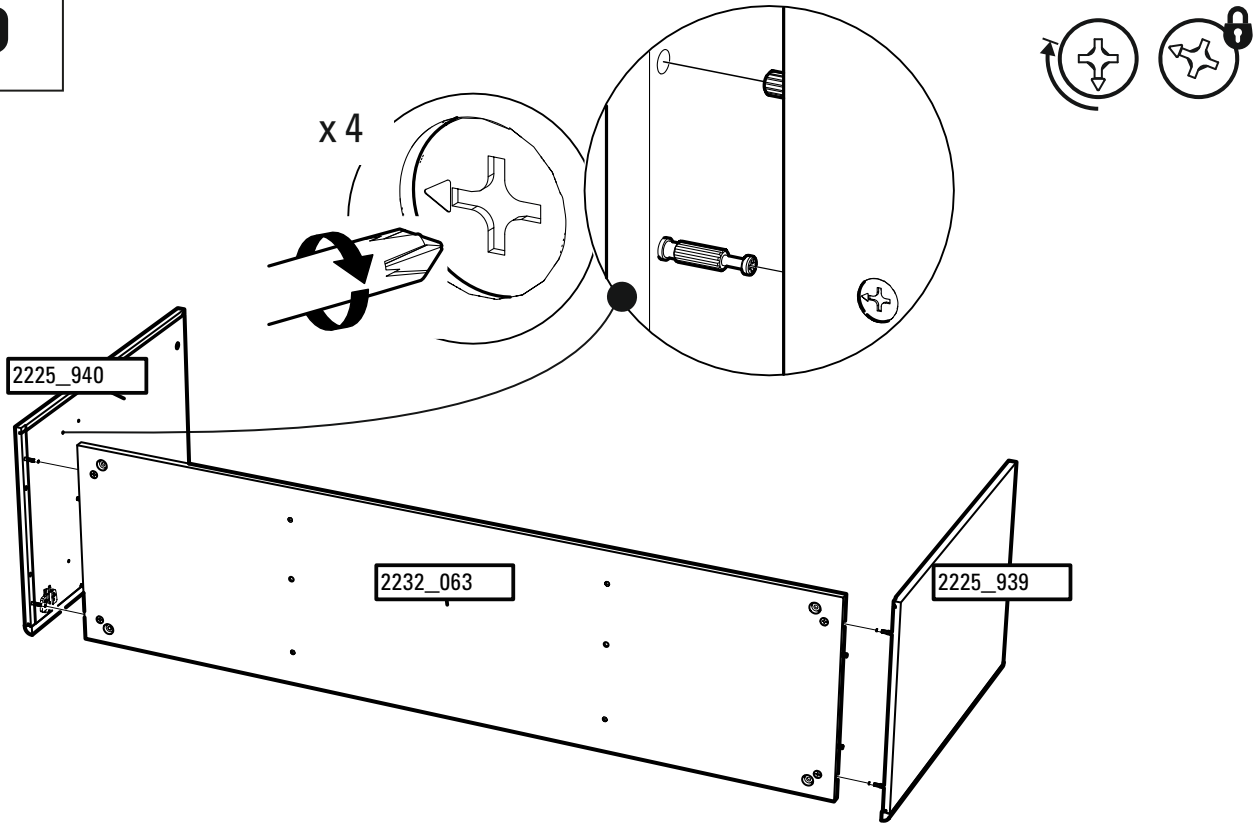
4




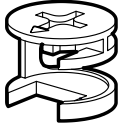
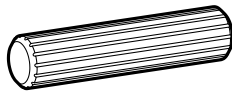

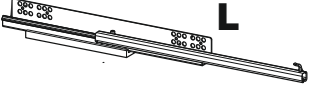
1	1005417	 x 2
1113849	 x 1	

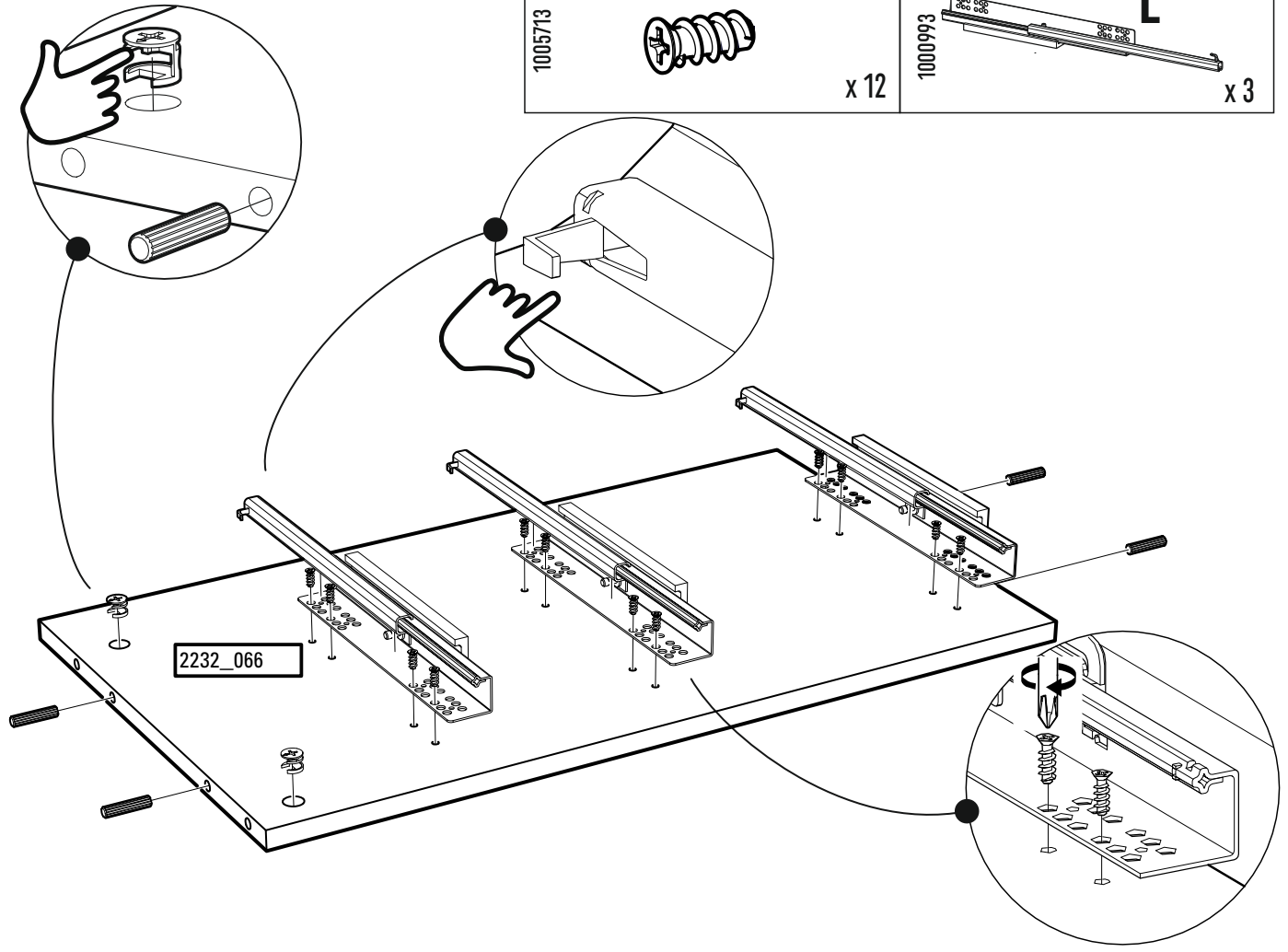


5

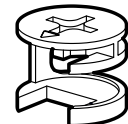


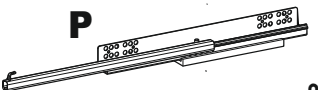


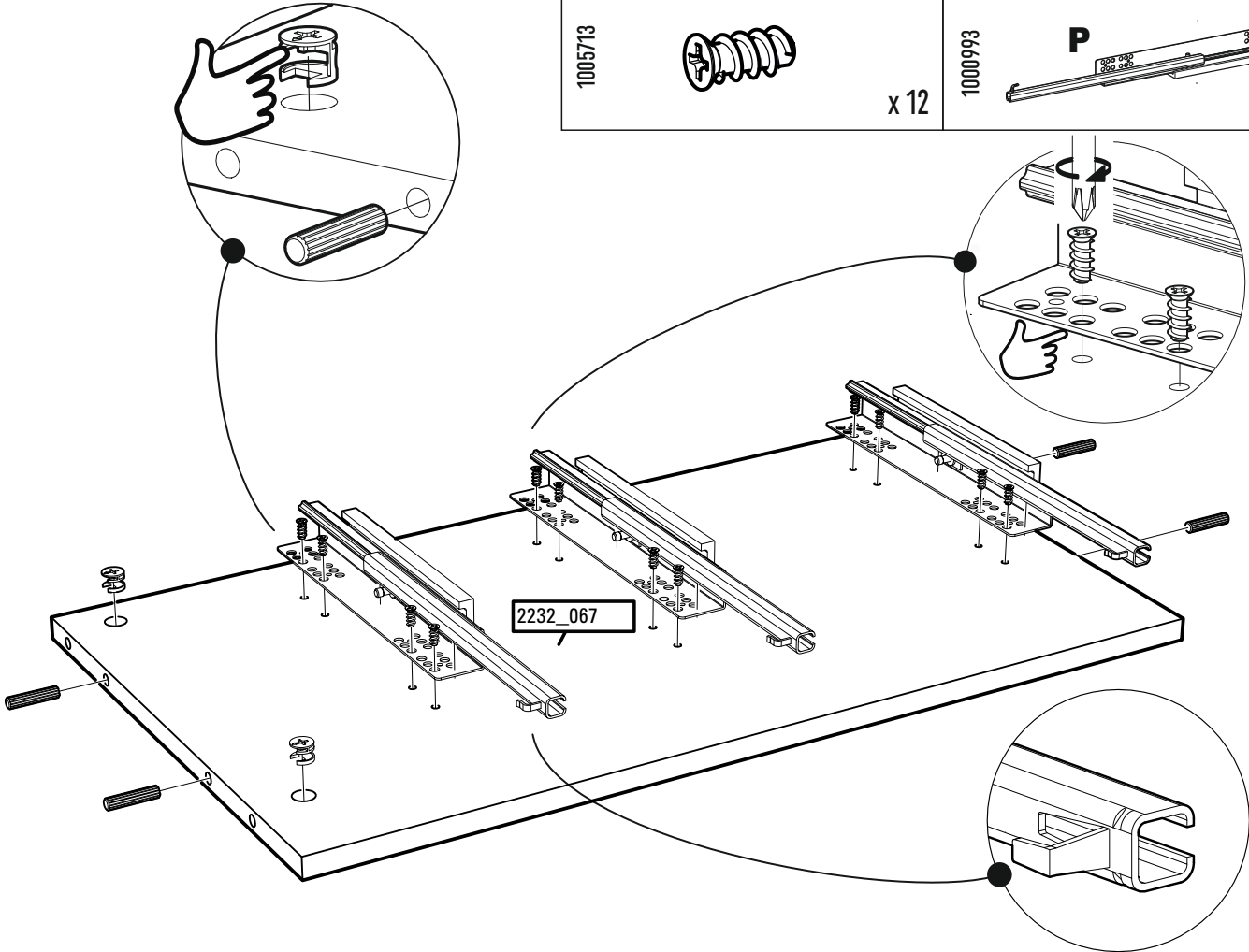
6

 2	1005990  x 2	1005857  x 4
1005713  x 12	1000993  x 3	

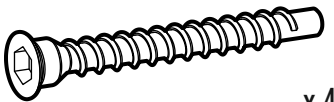


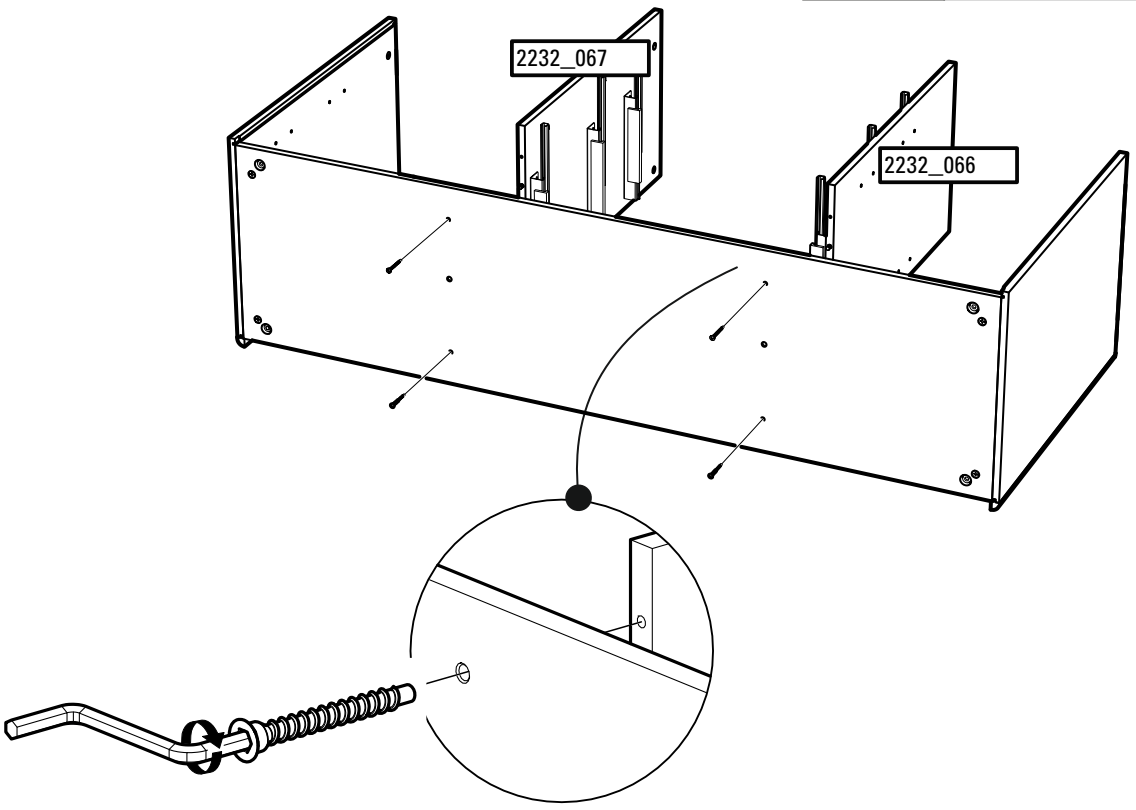
7

2	1005990		x 2	1005857		x 4
	1005713		x 12	1000993		x 3

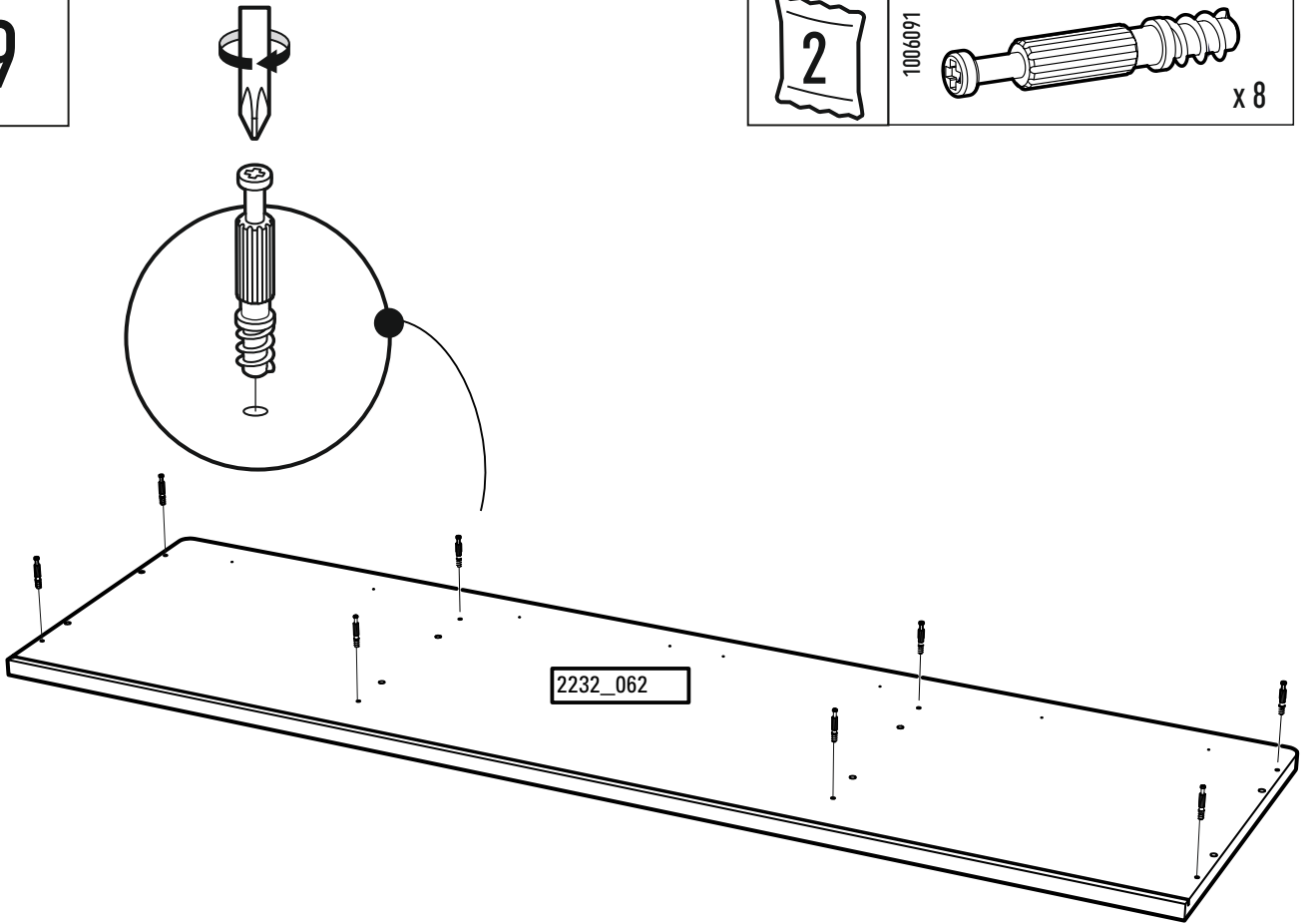


8

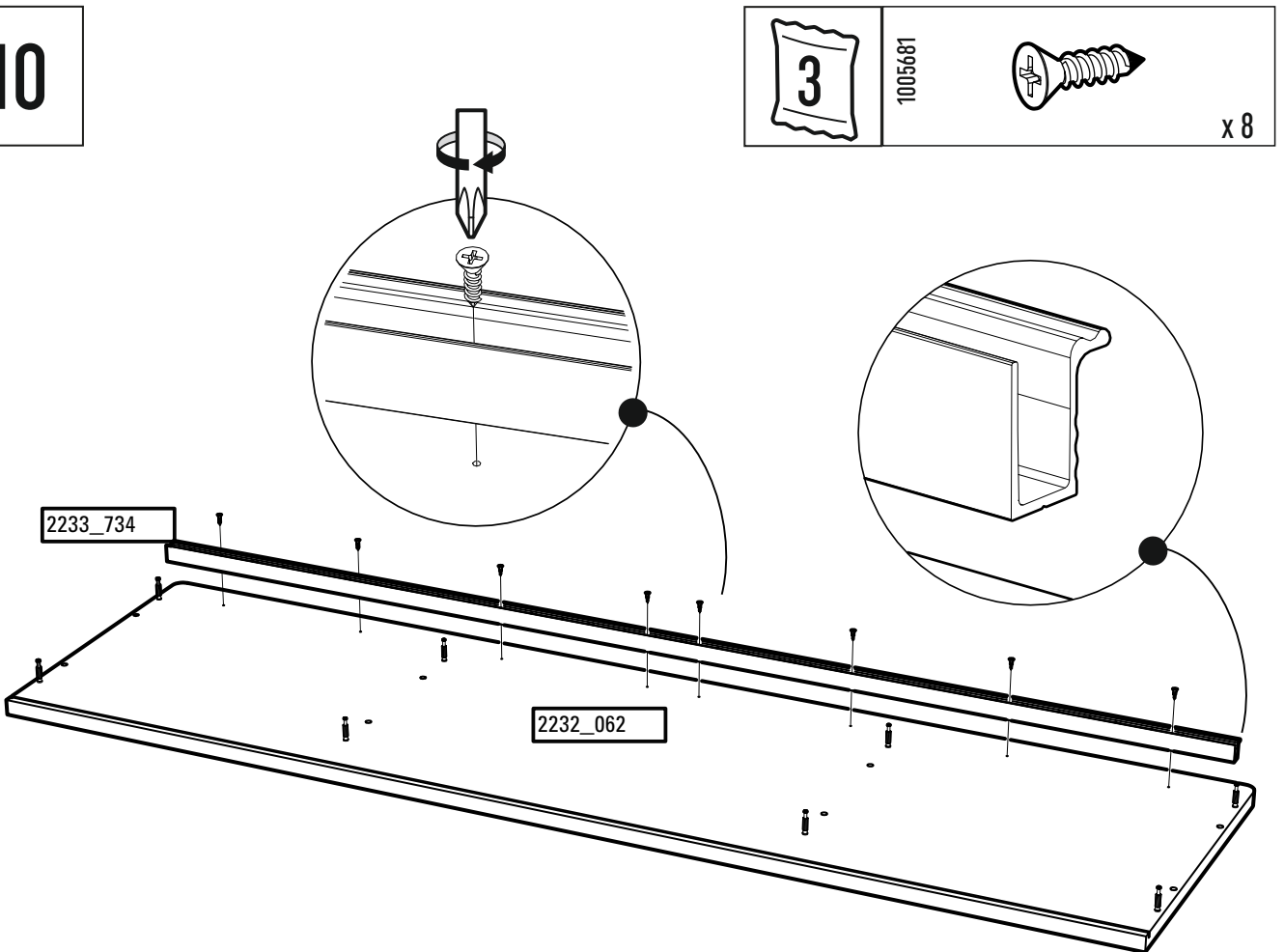
2	1005876		x 4
---	---------	---	-----



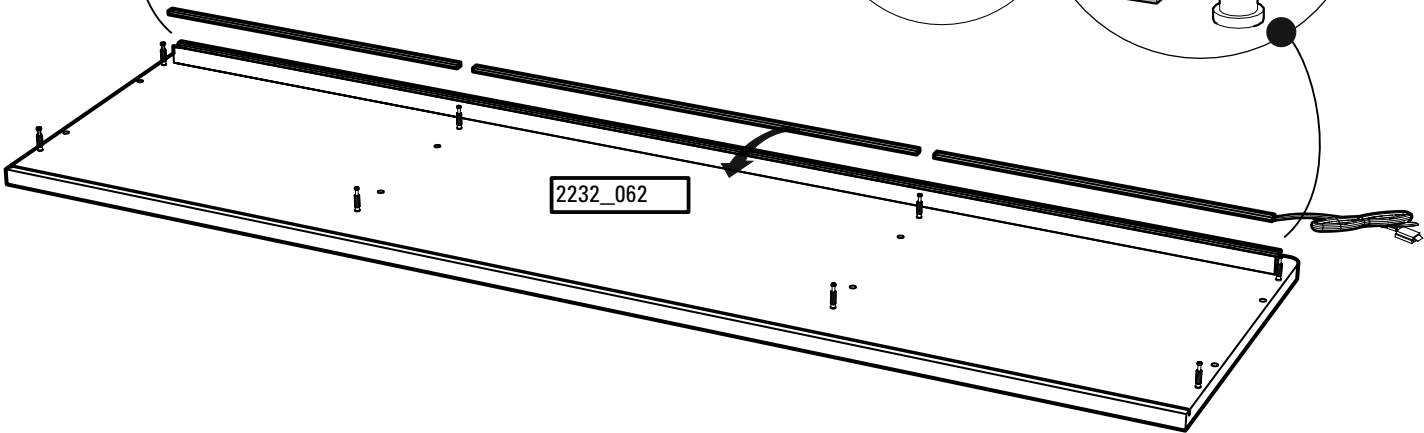
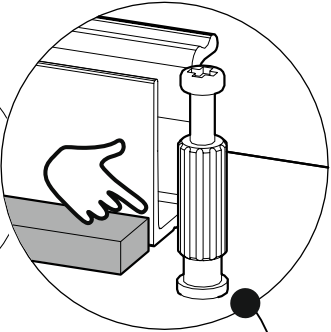
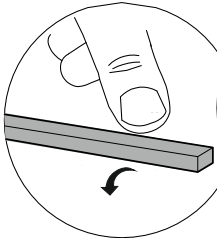
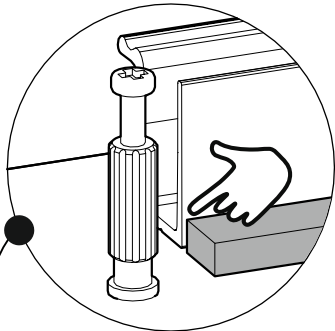
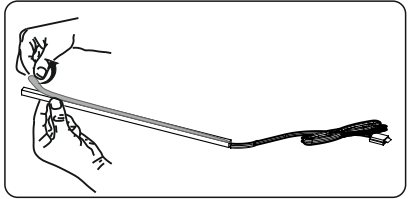
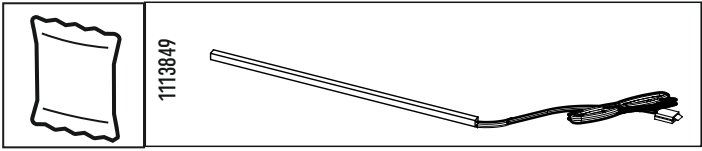
9



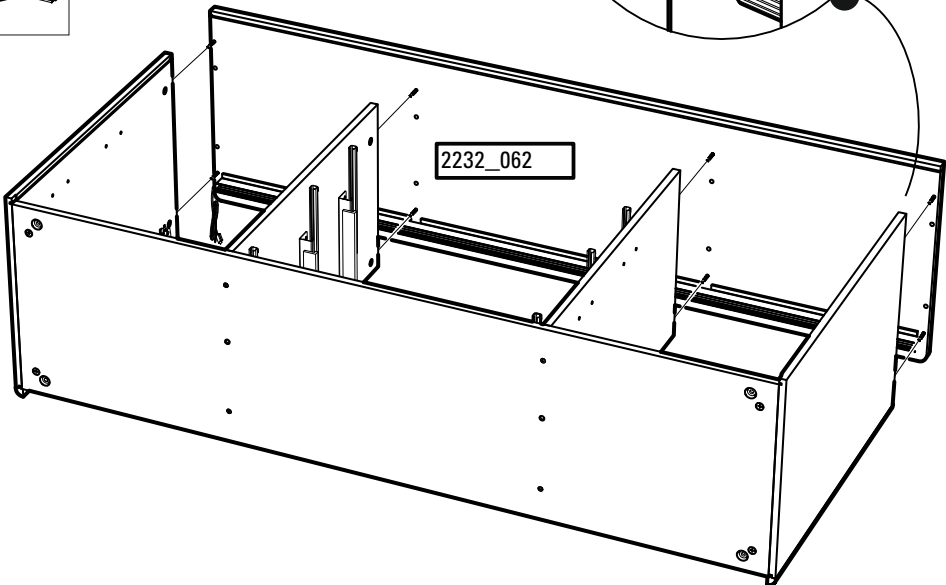
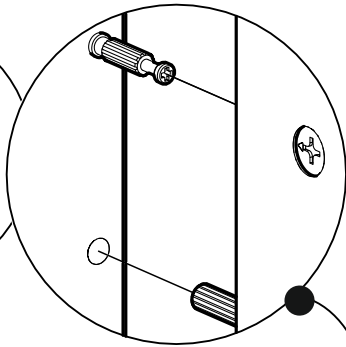
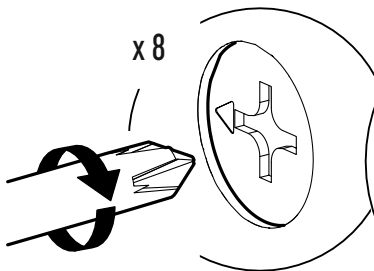
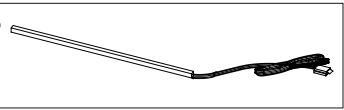
10



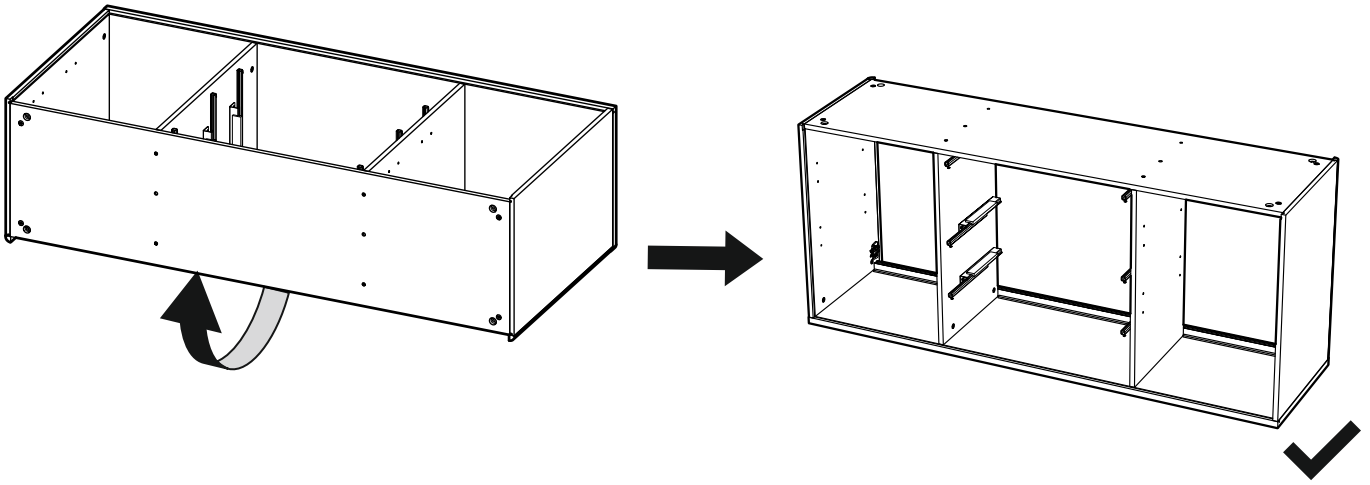
11



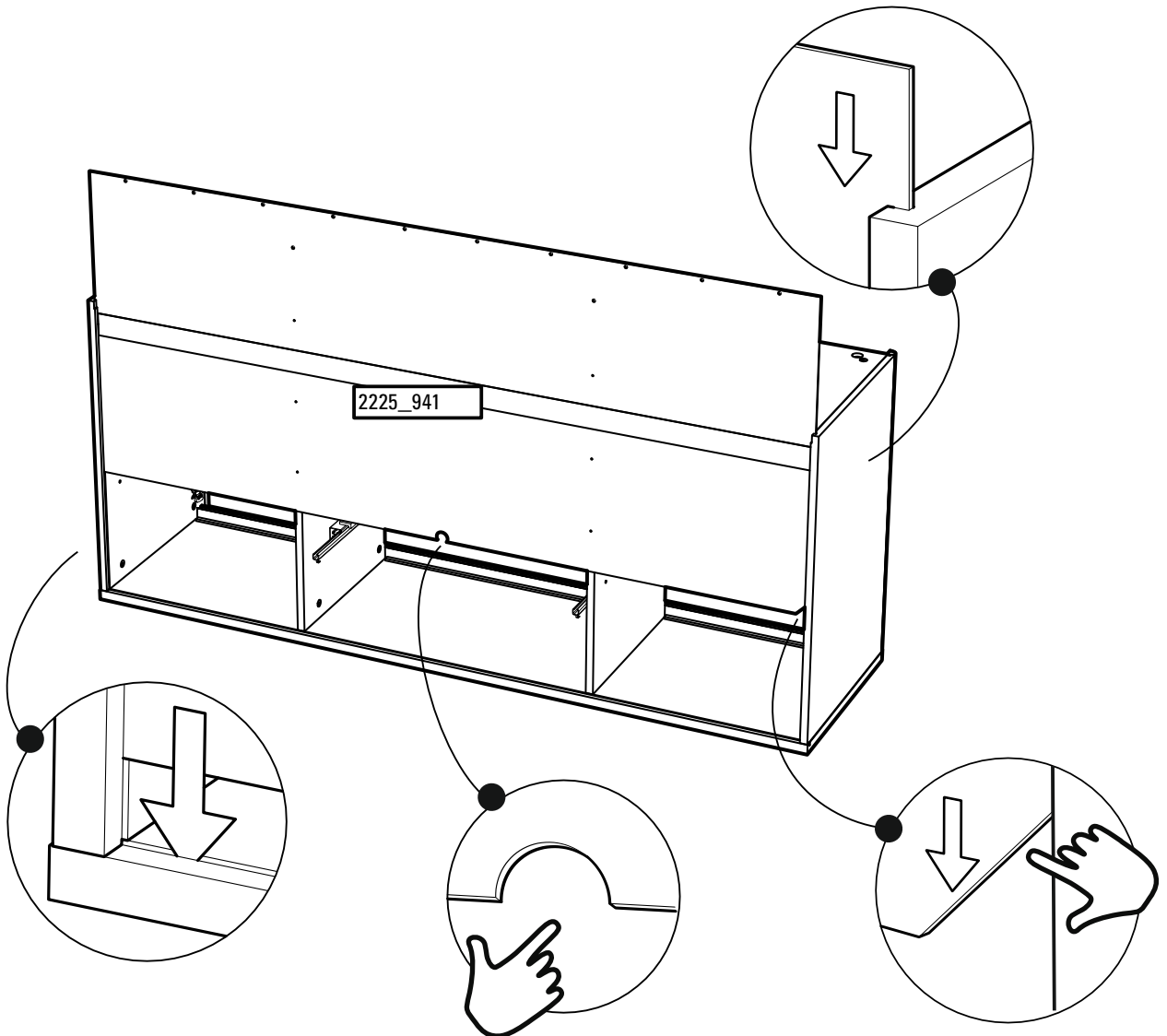
12




13

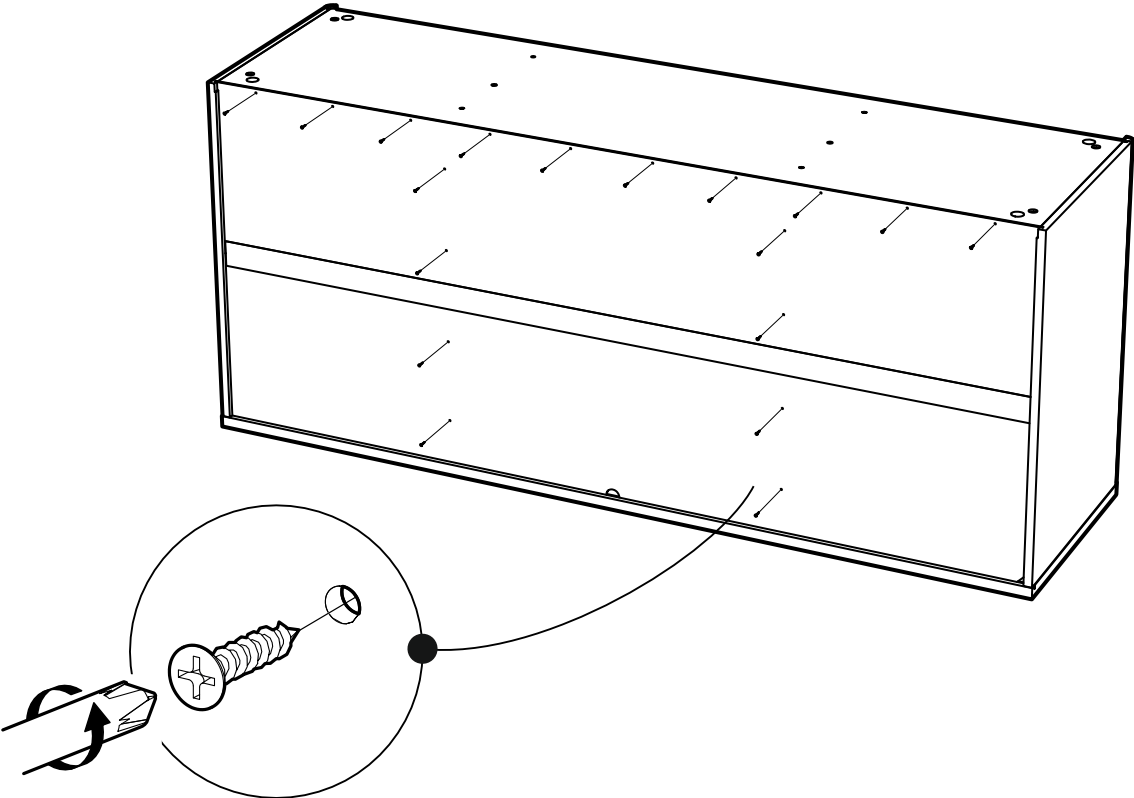


14


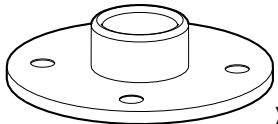


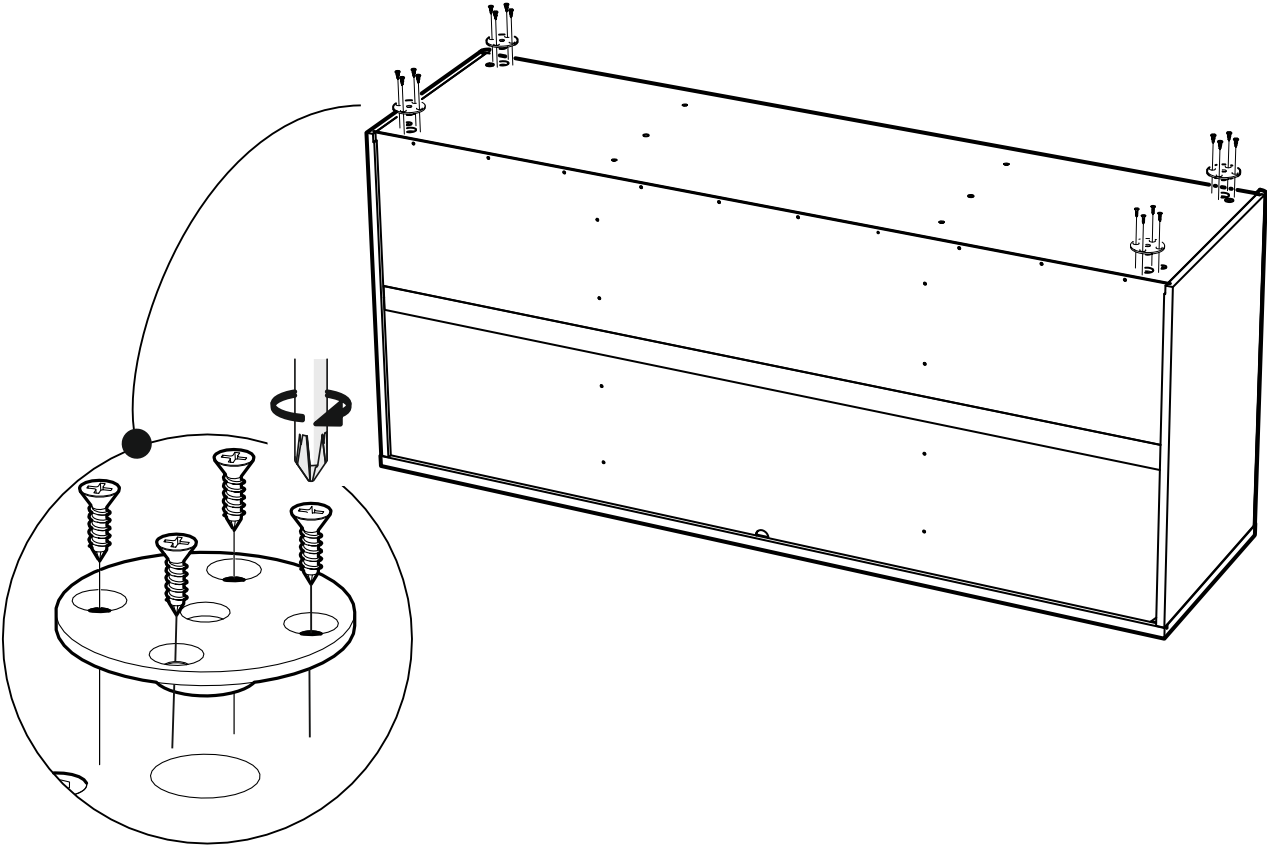
15

4	1006012		x 18
---	---------	---	------

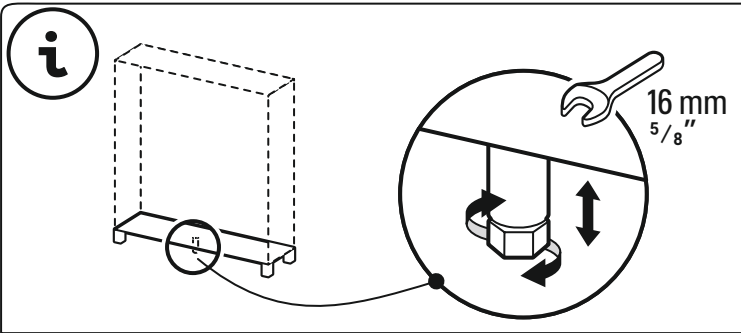
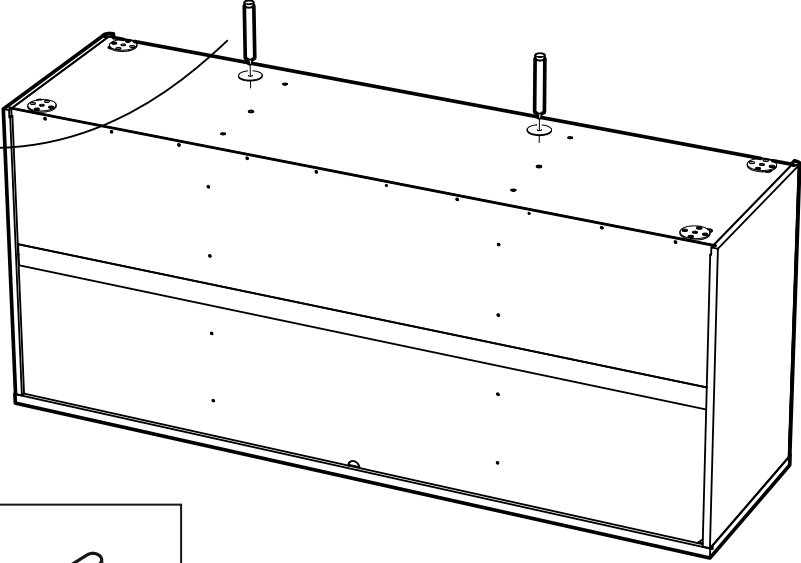
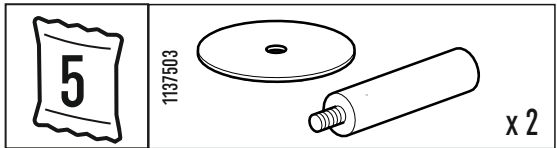
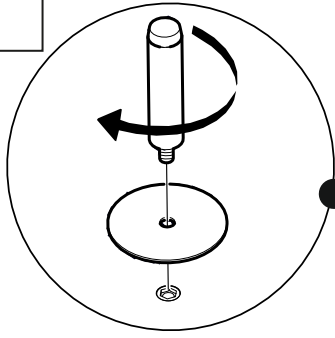


16

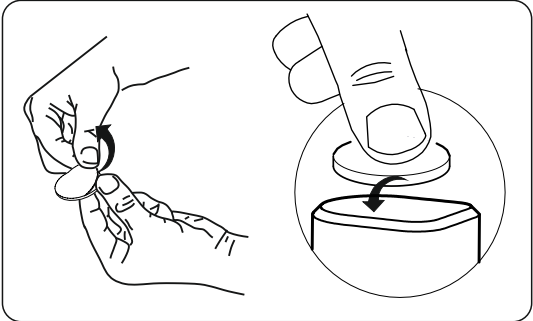
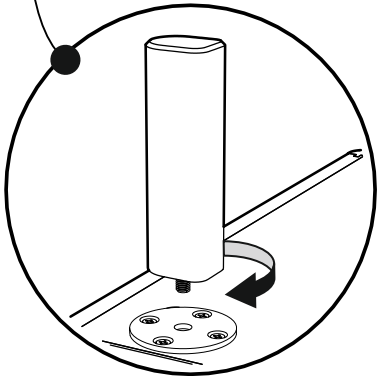
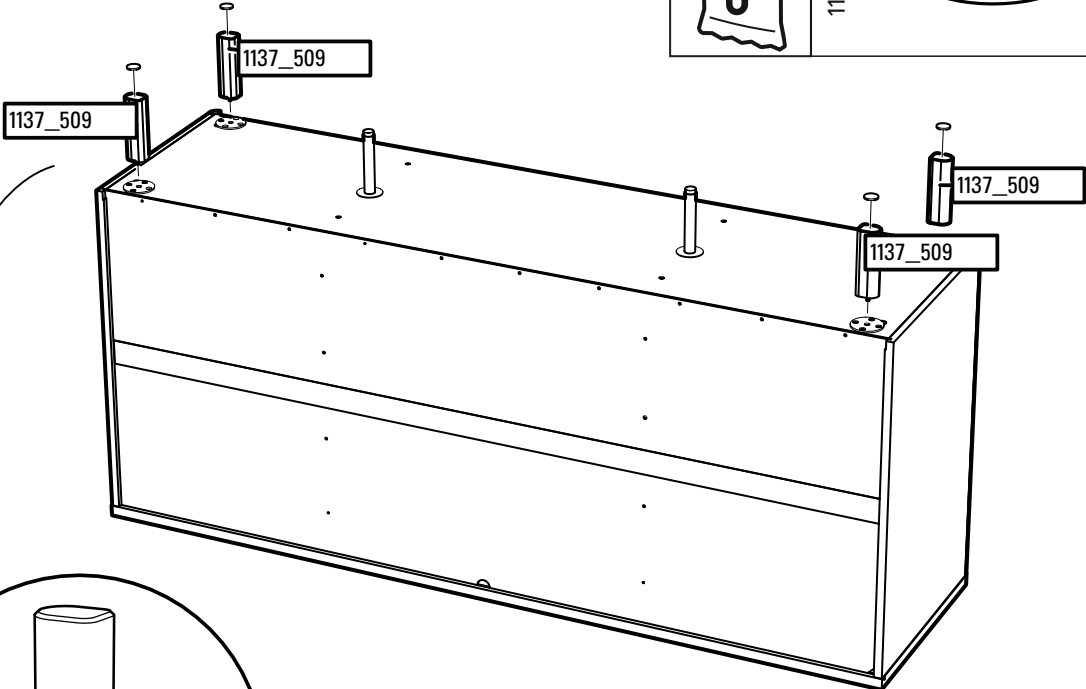
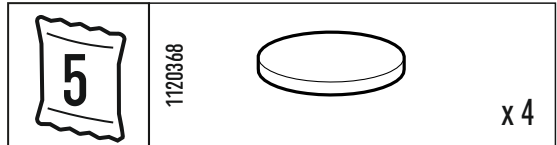
5	1005681	 x 16	1101311  x 4
---	---------	--	---



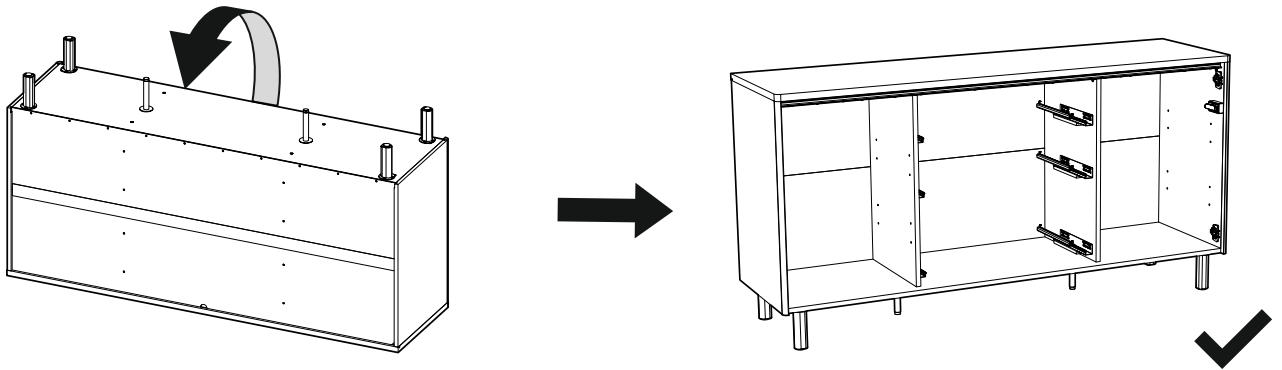
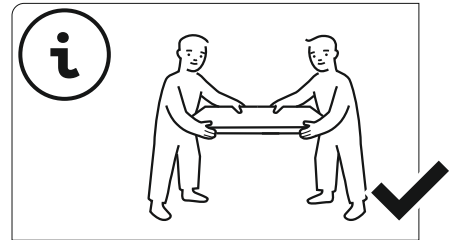
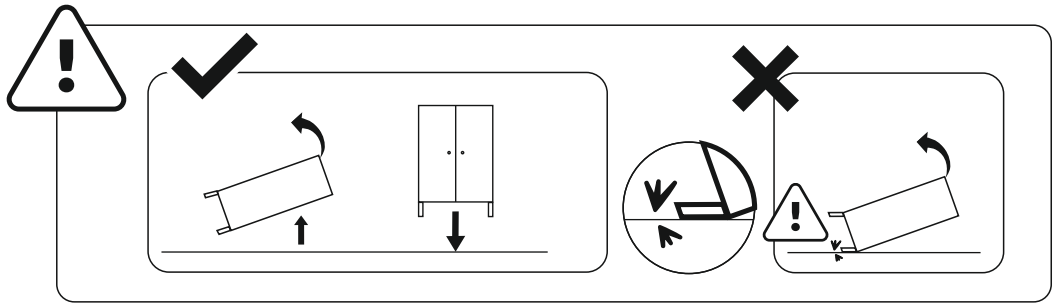
17



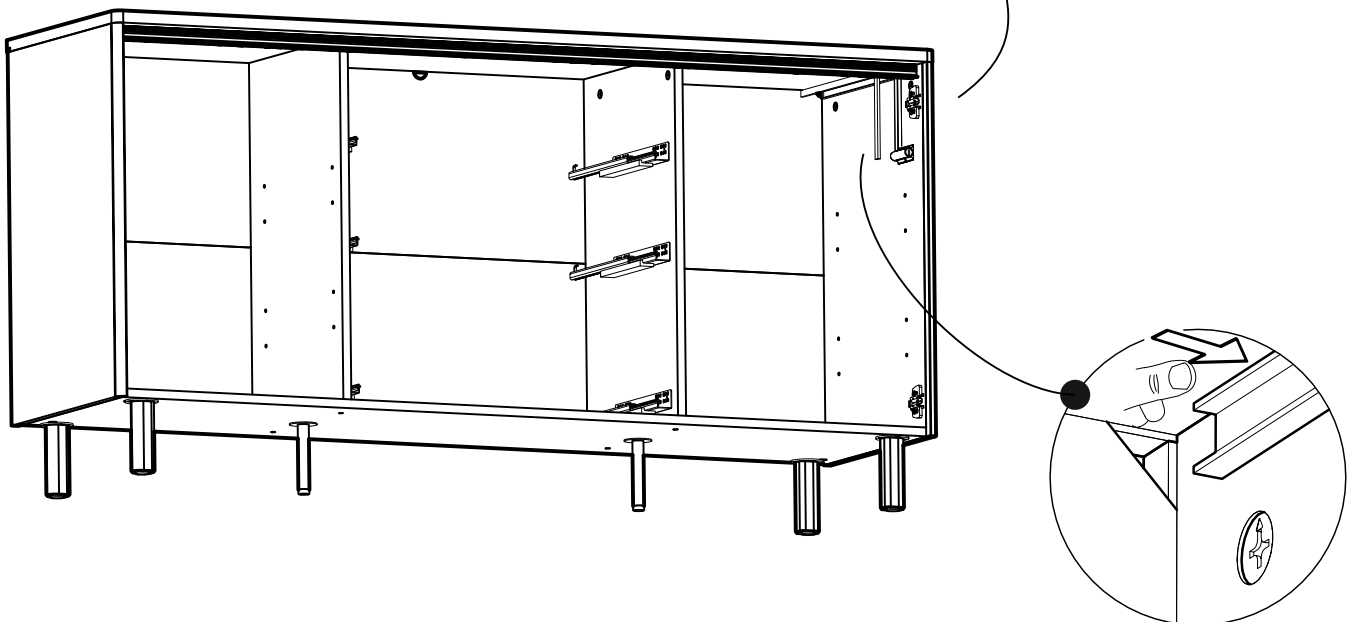
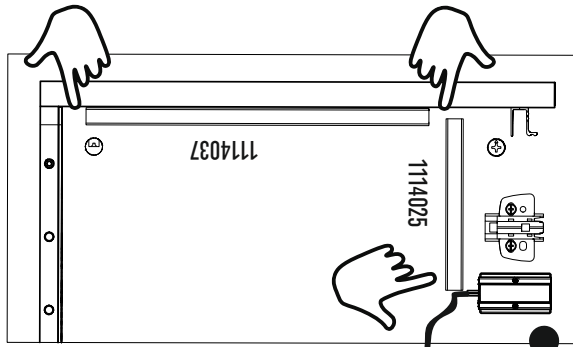
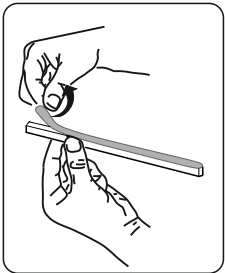
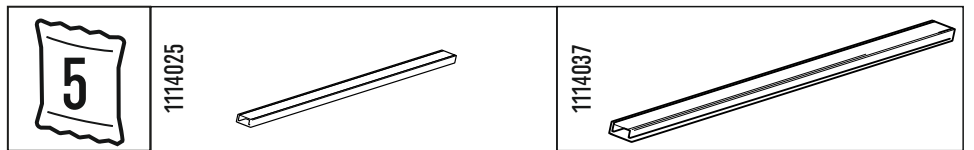
18



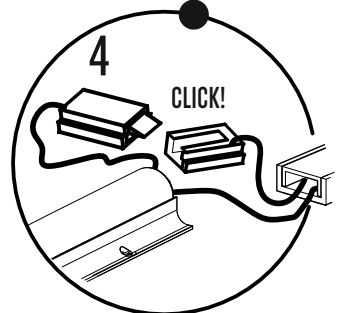
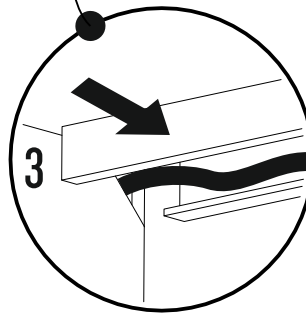
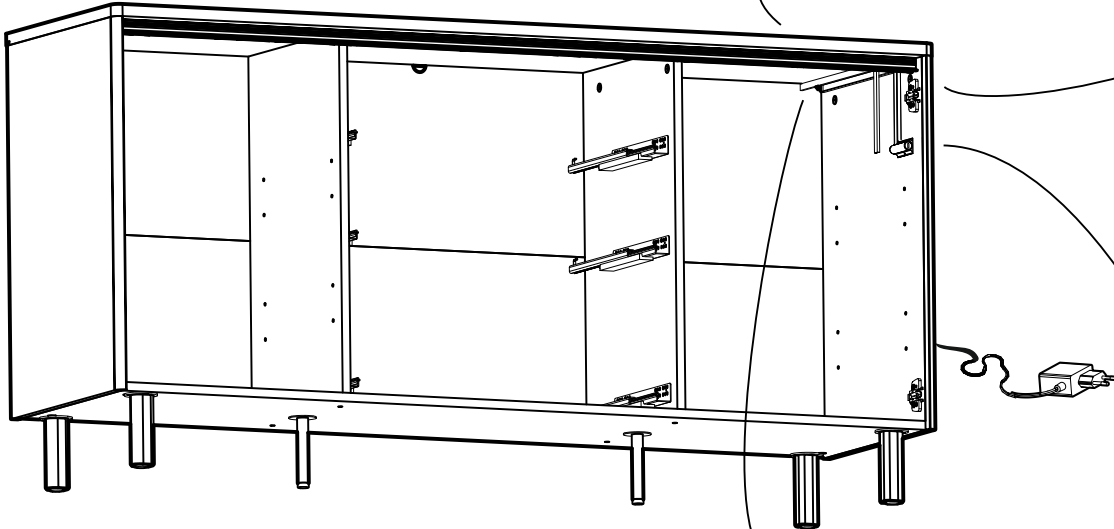
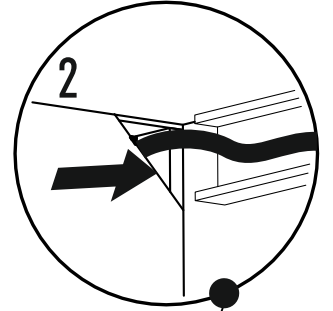
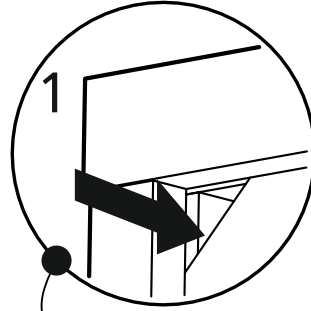
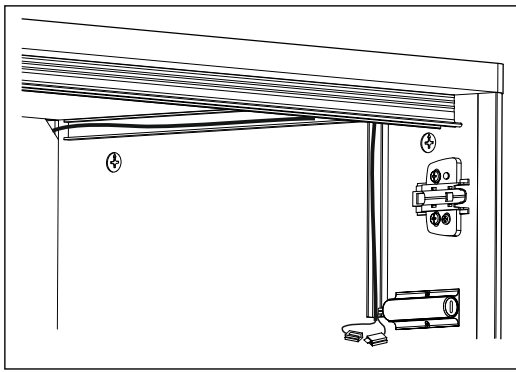
19



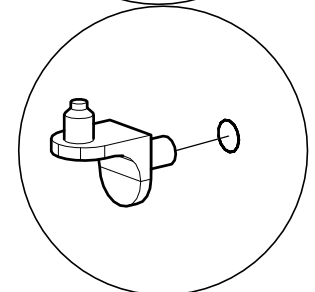
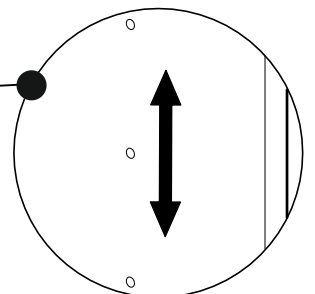
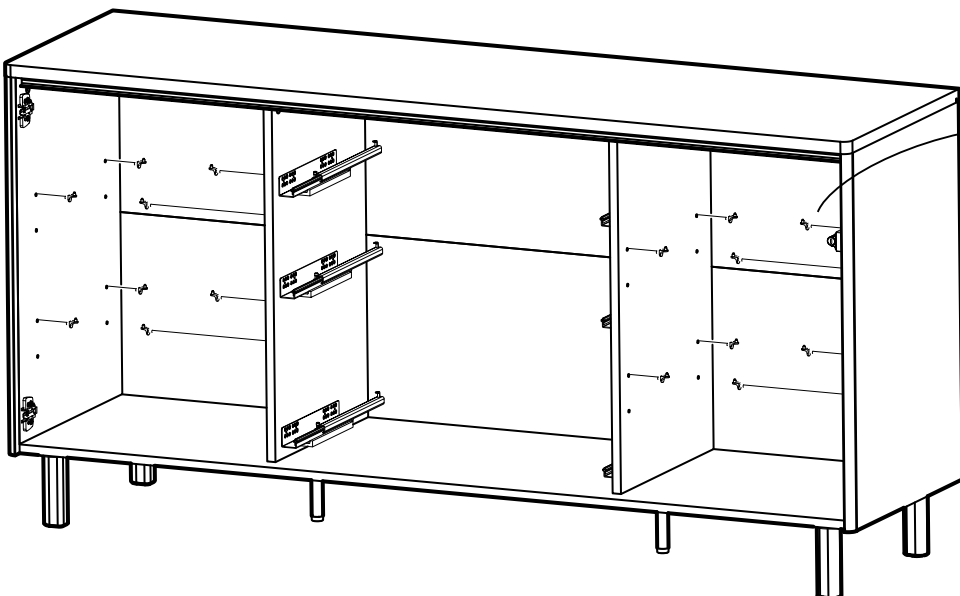
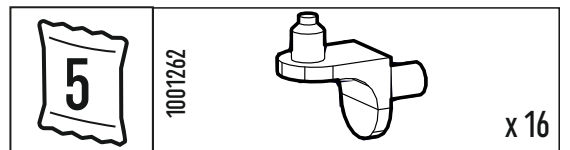
20



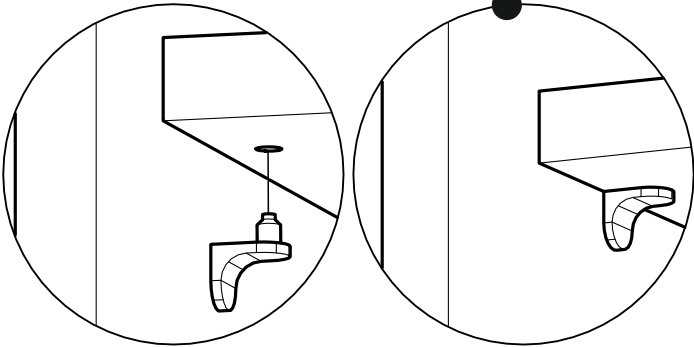
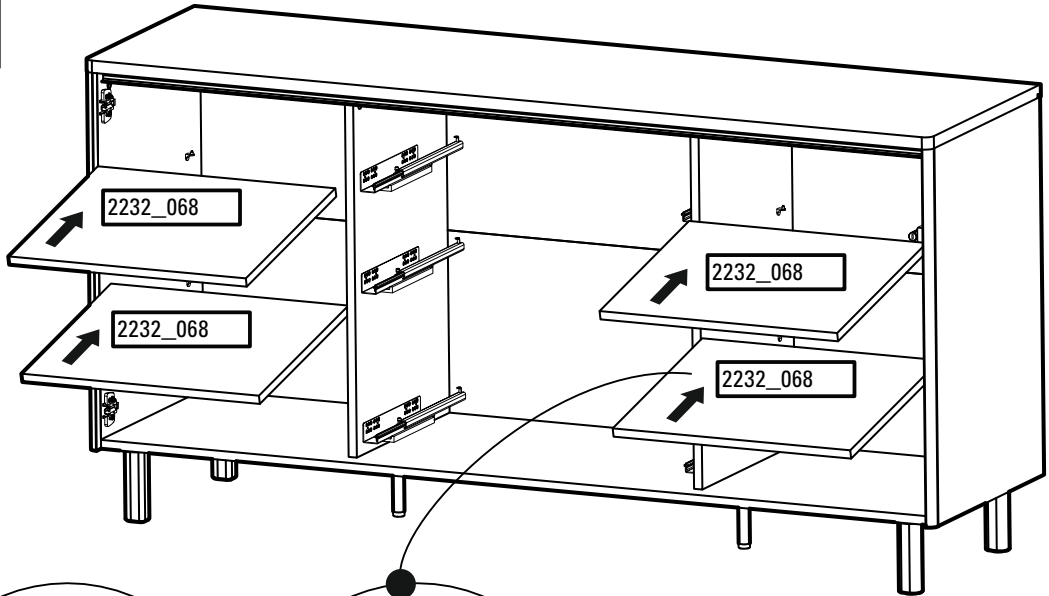
21



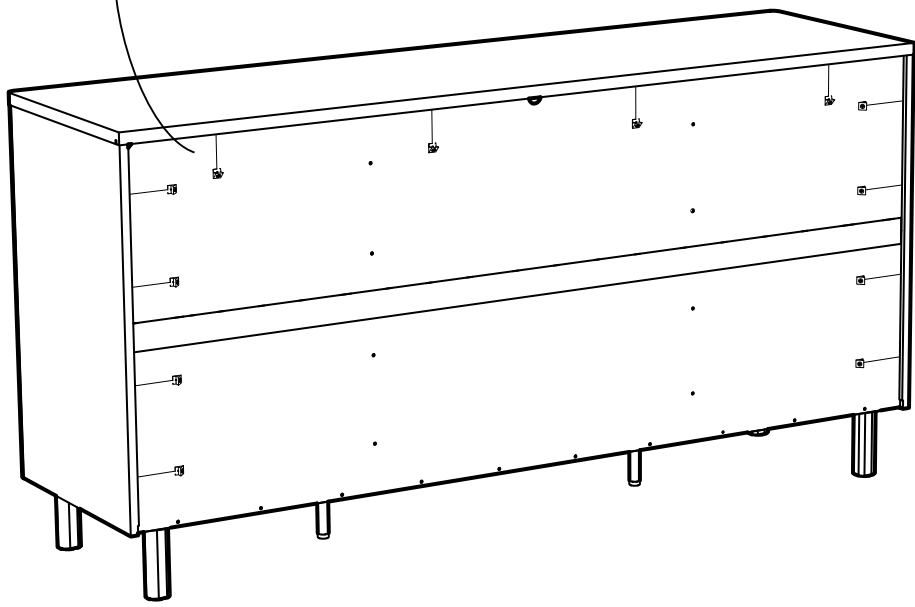
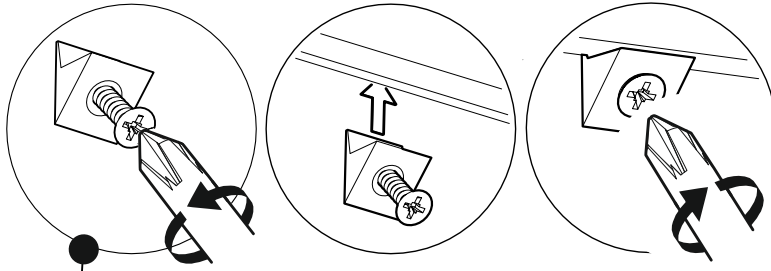
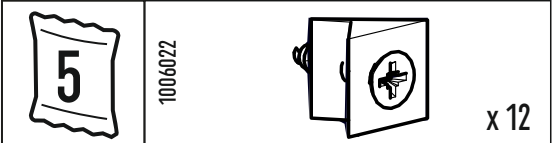
22





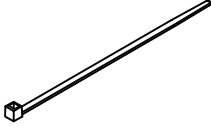
23

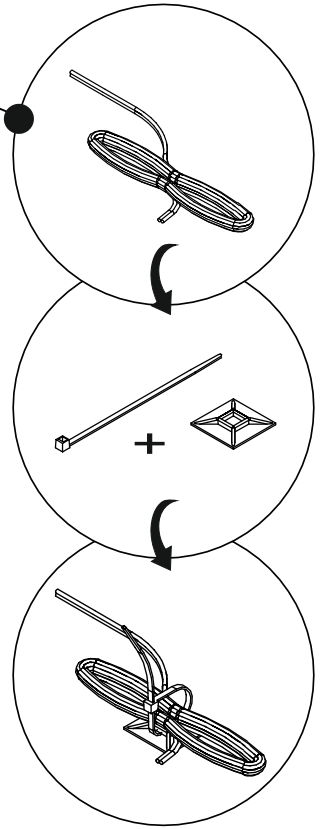
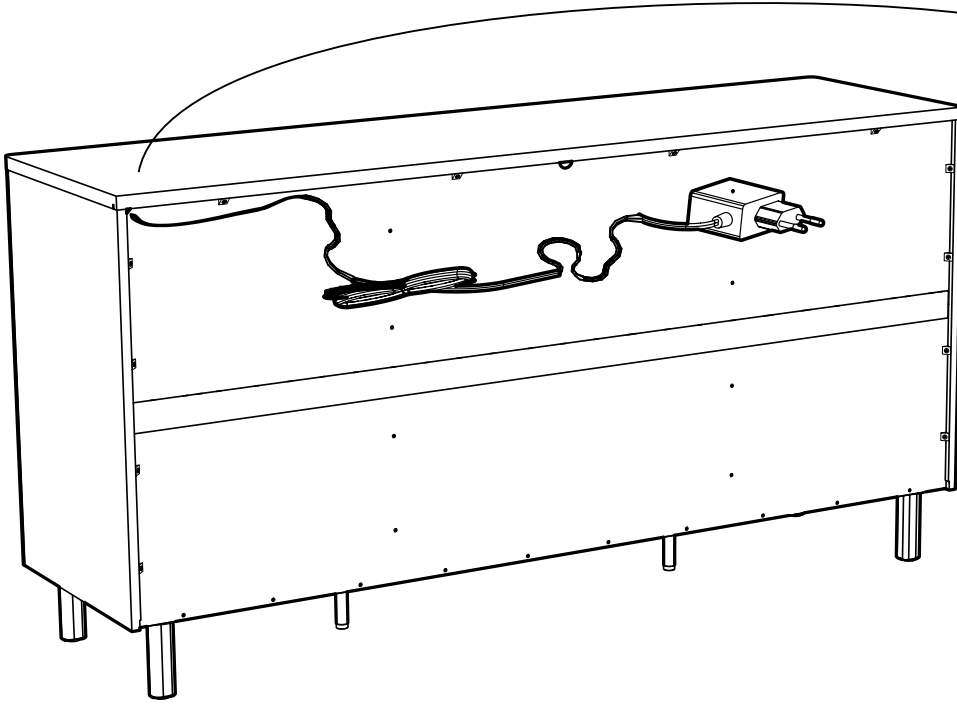


24

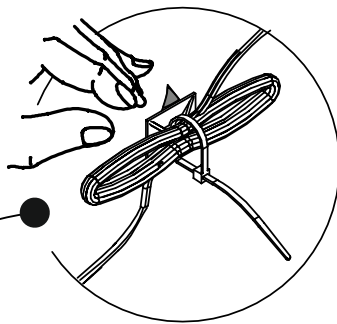
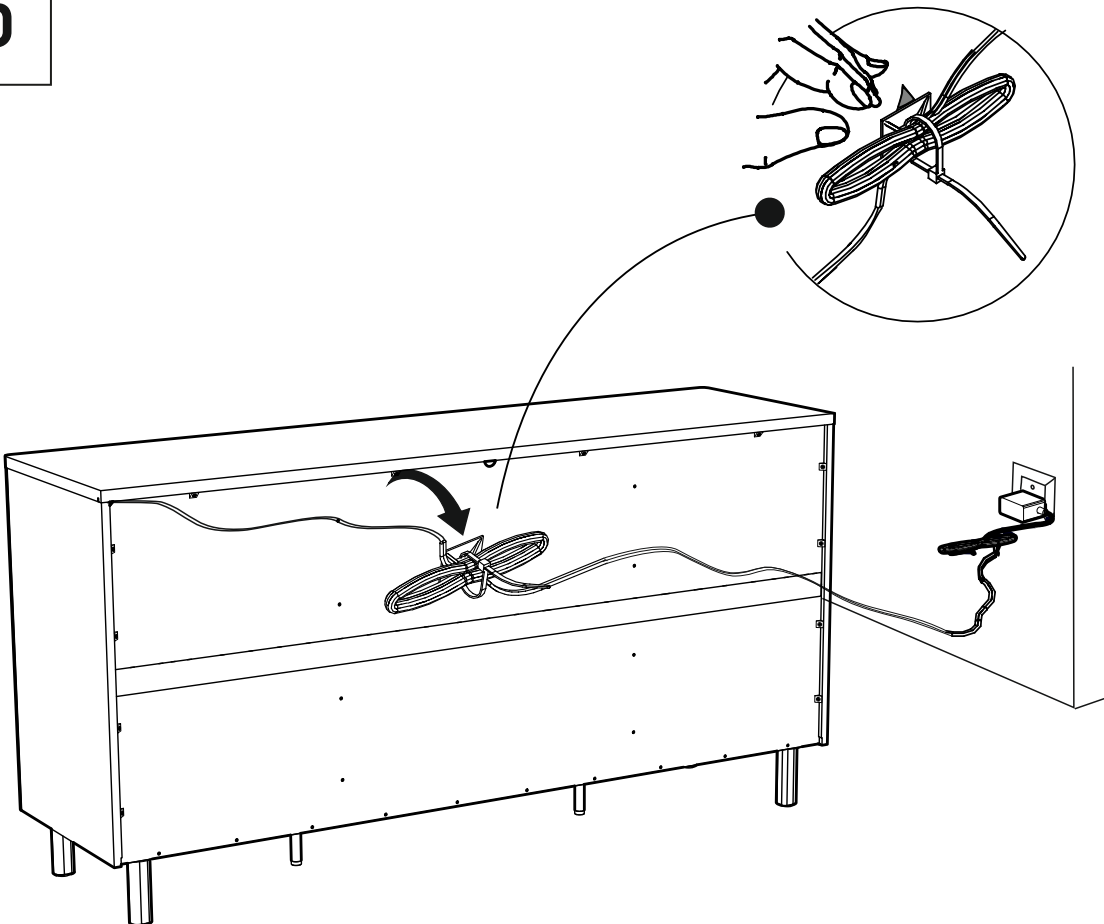


25

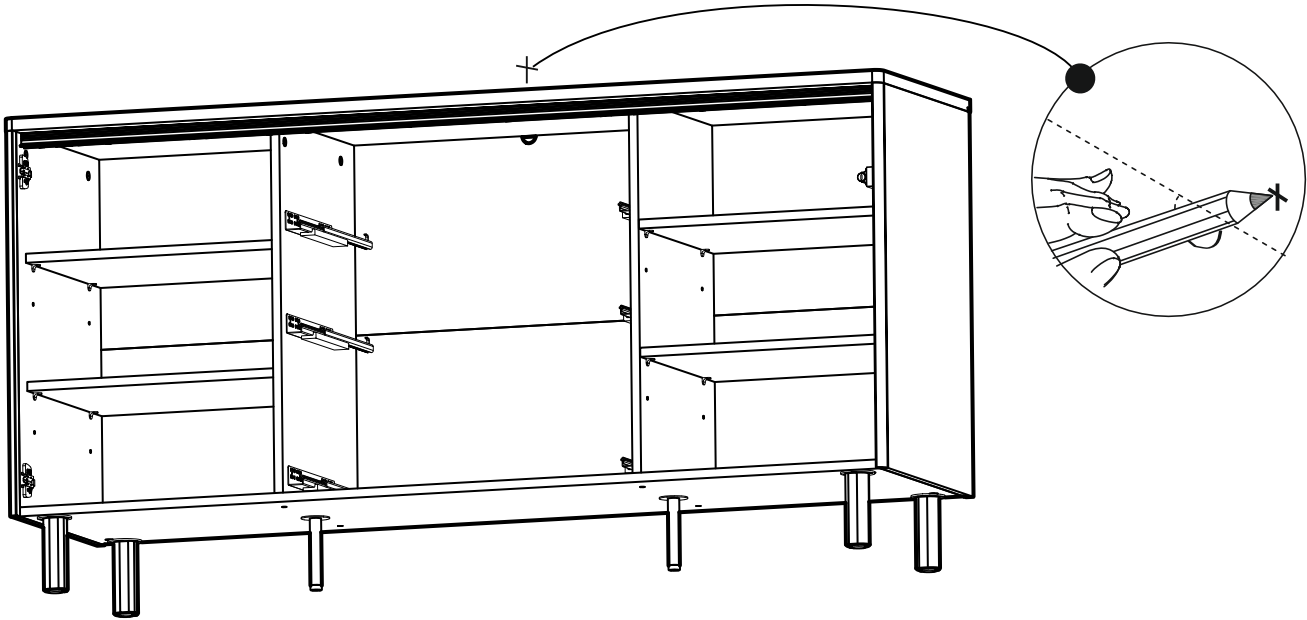
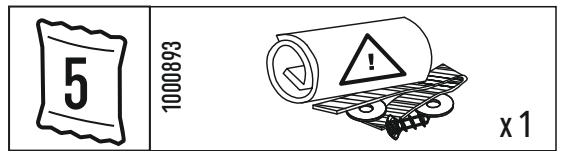
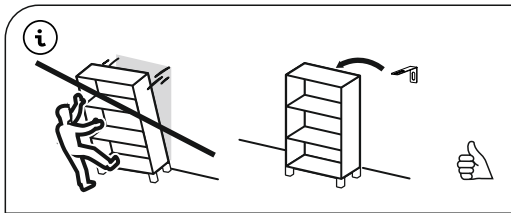
 <p>5</p>	1008287	 <p>x1</p>	1008286	 <p>x1</p>
---	---------	---	---------	--



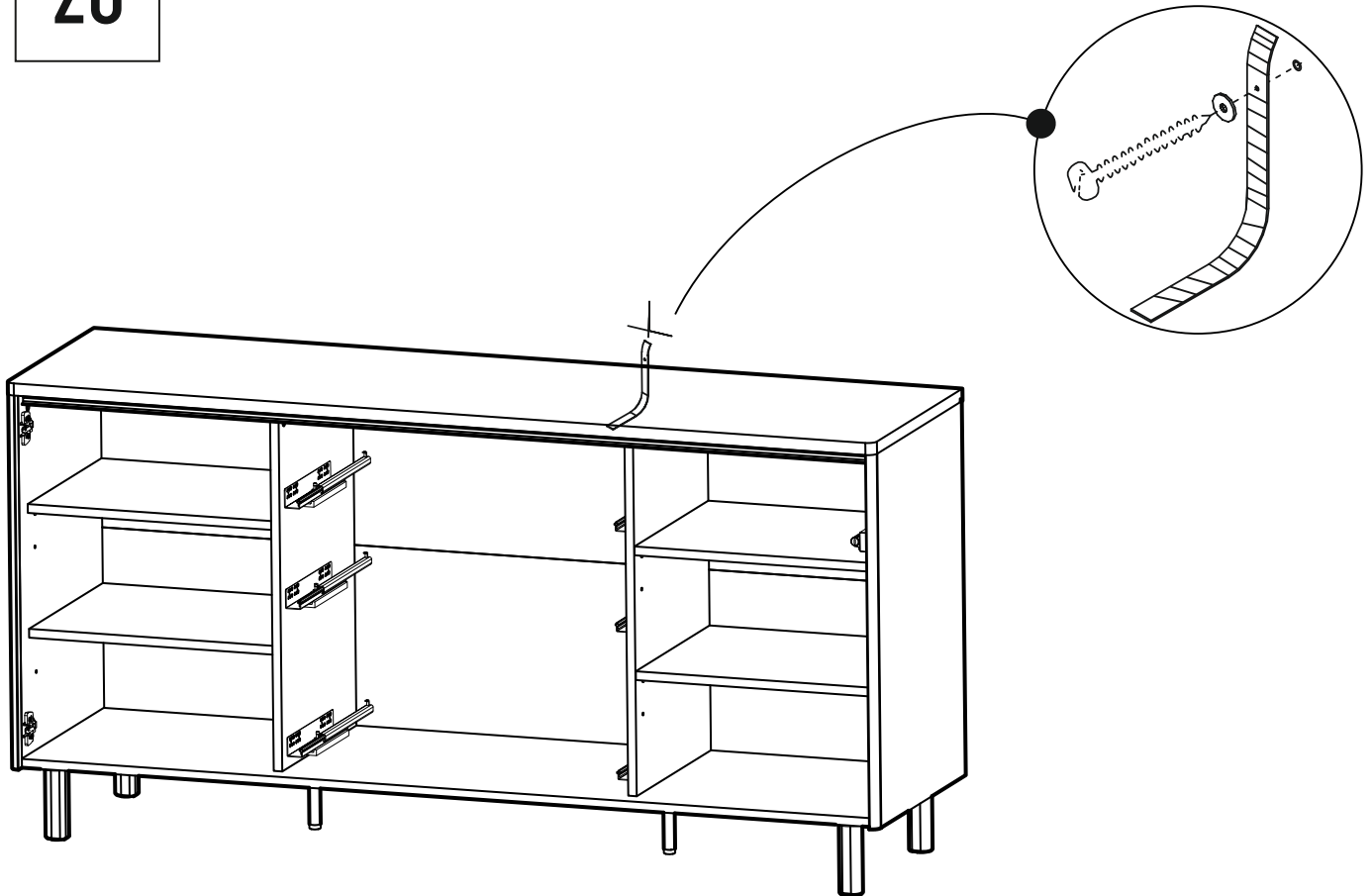
26



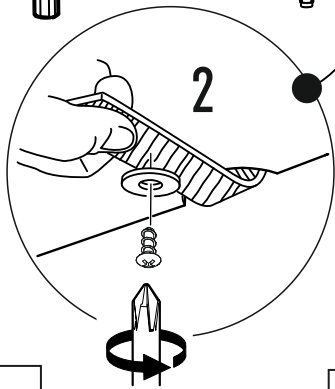
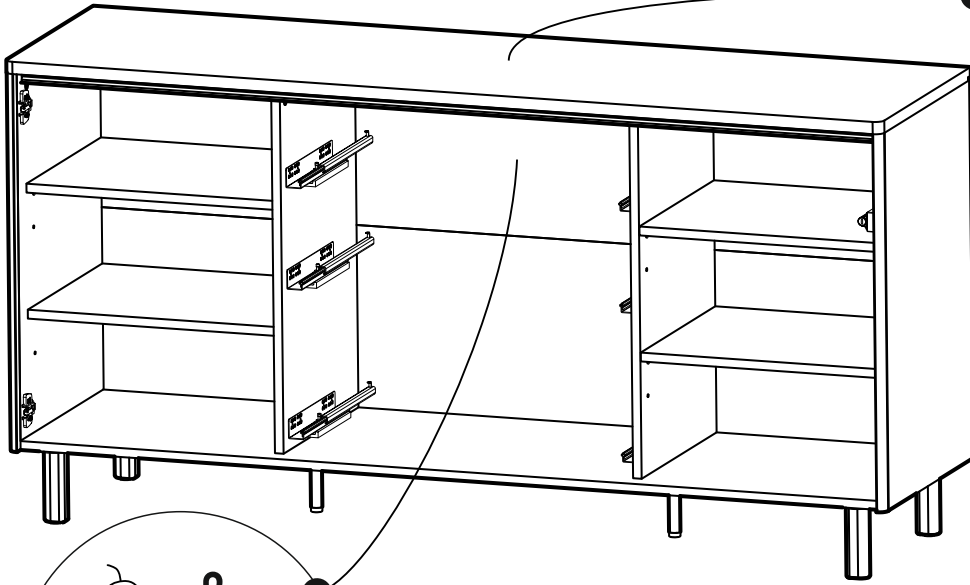
27



28

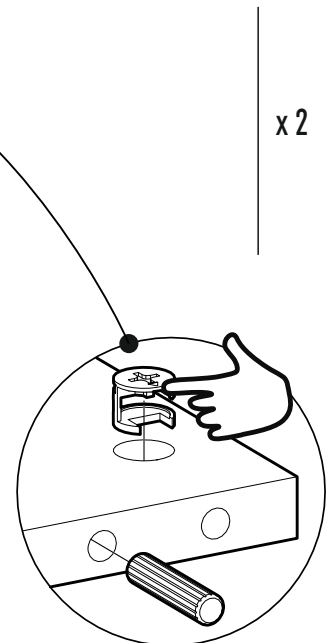
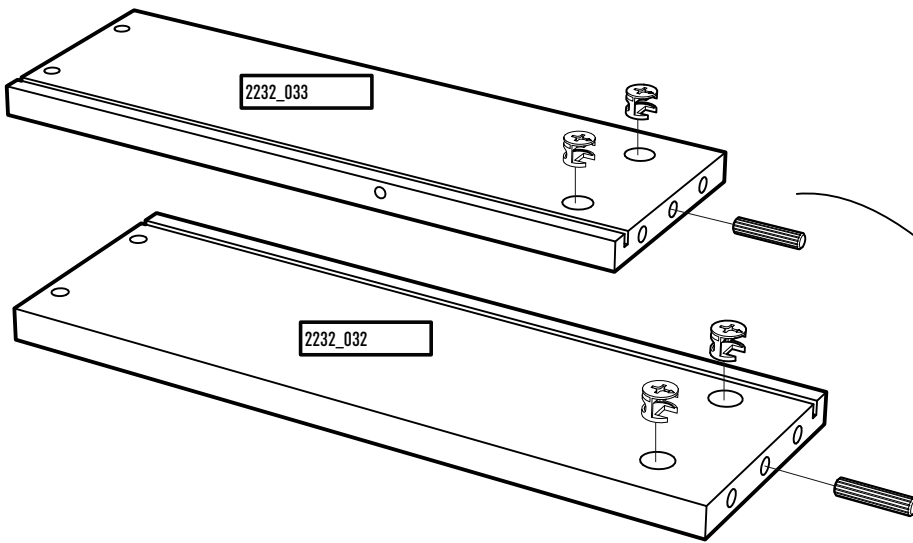


29



30

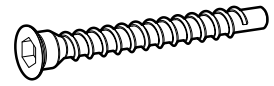
<p>6</p>	<p>1005857</p> <p>x 4</p>	<p>1005990</p> <p>x 8</p>
----------	---------------------------	---------------------------



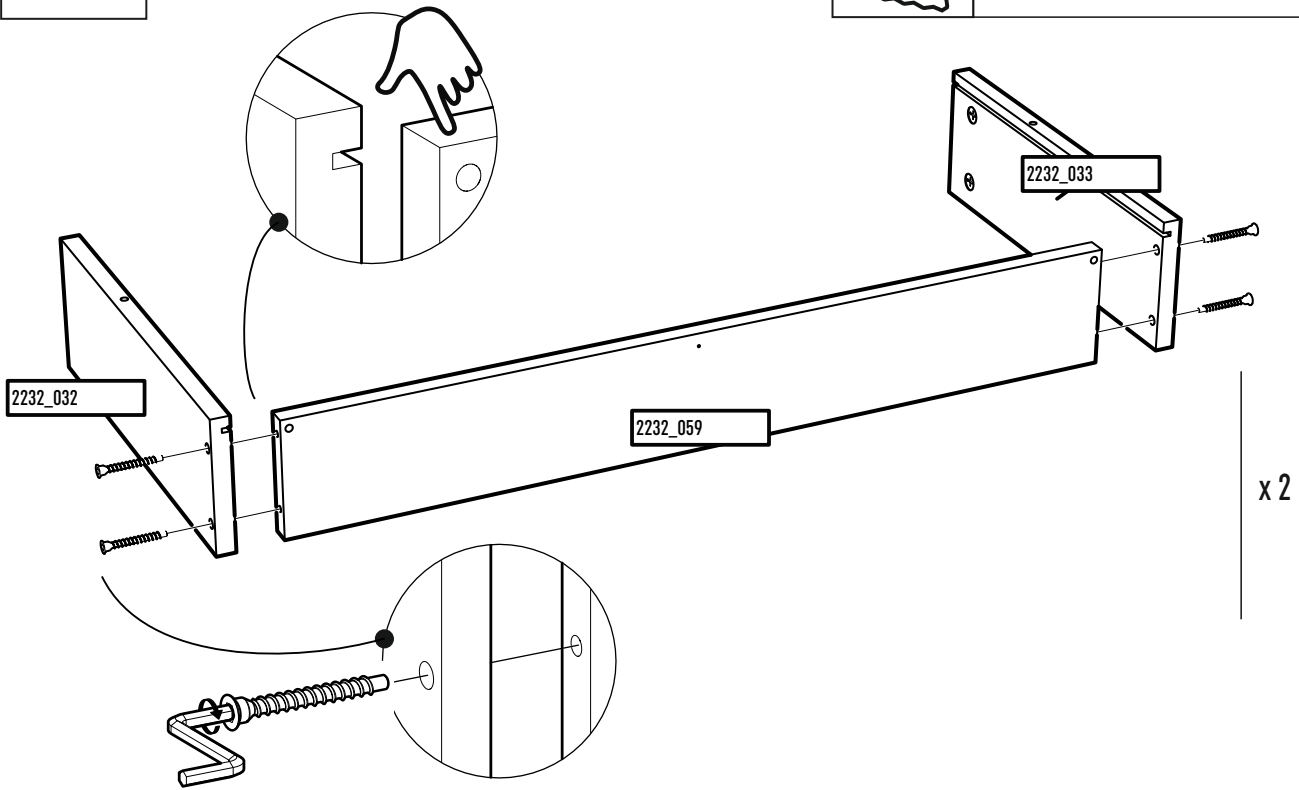
31

6

1005876



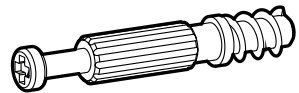
x 8



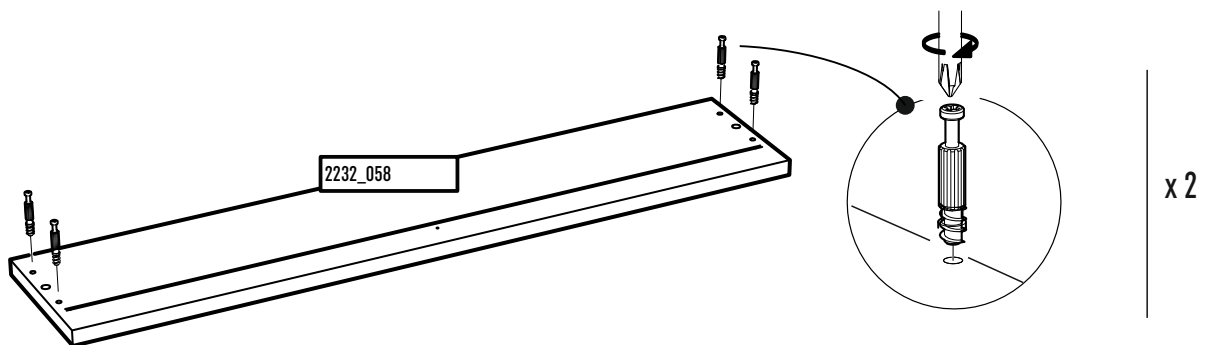
32

6

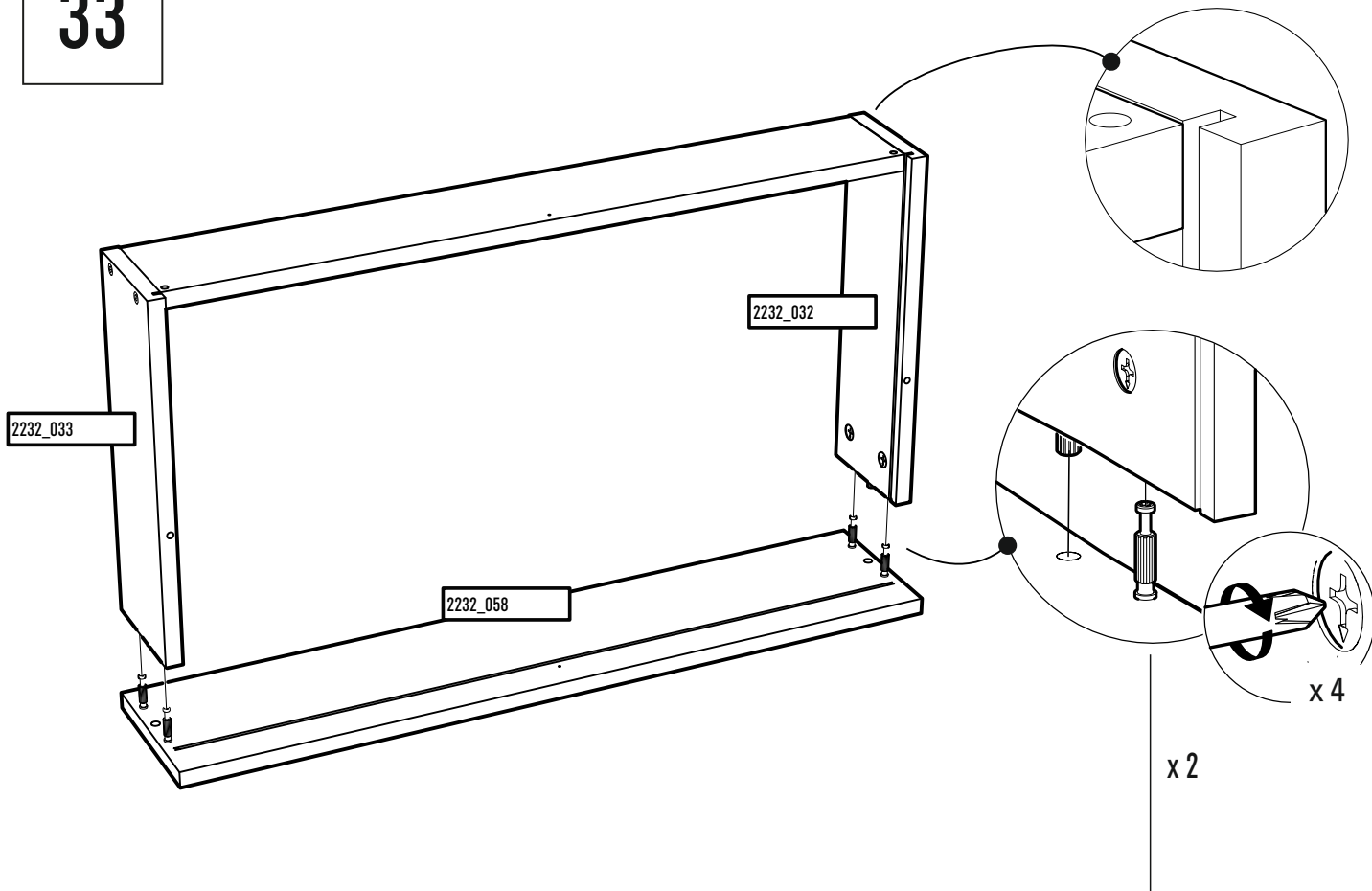
1006091



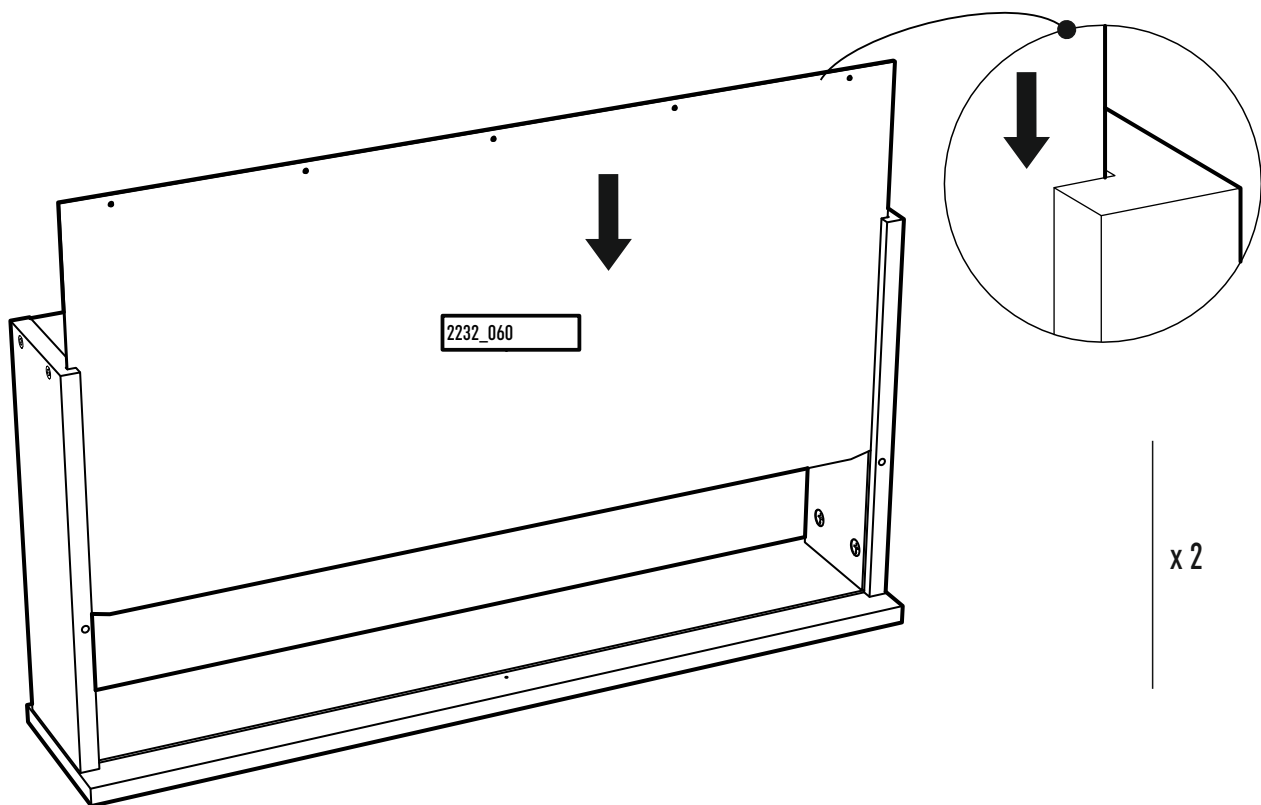
x 8





33



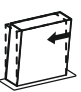




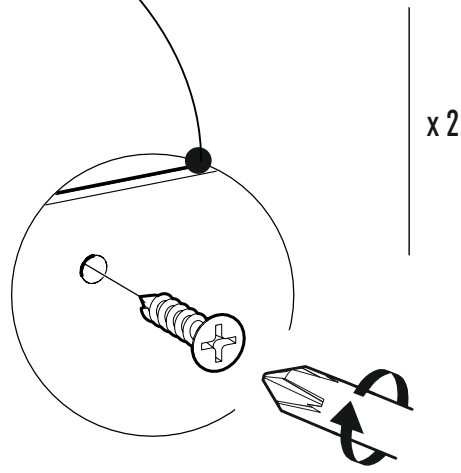
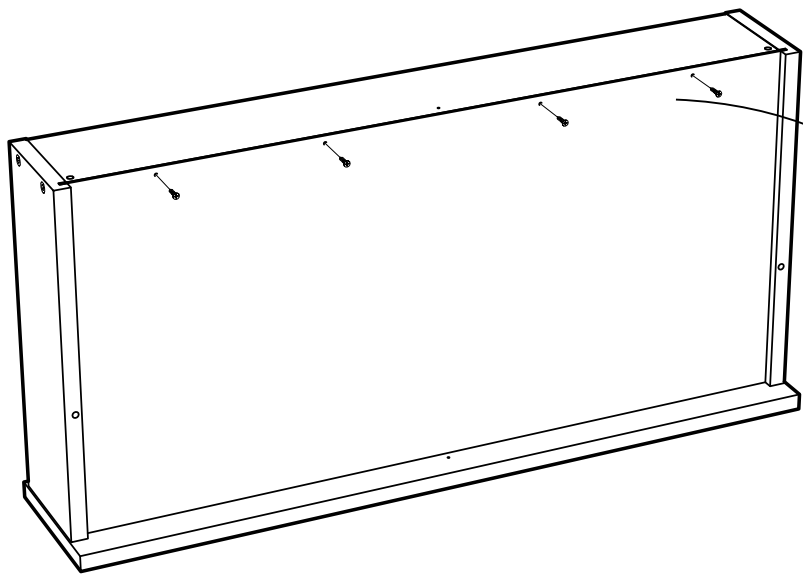
34






35

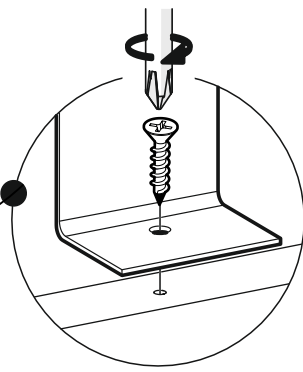
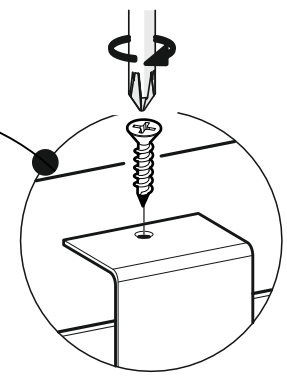
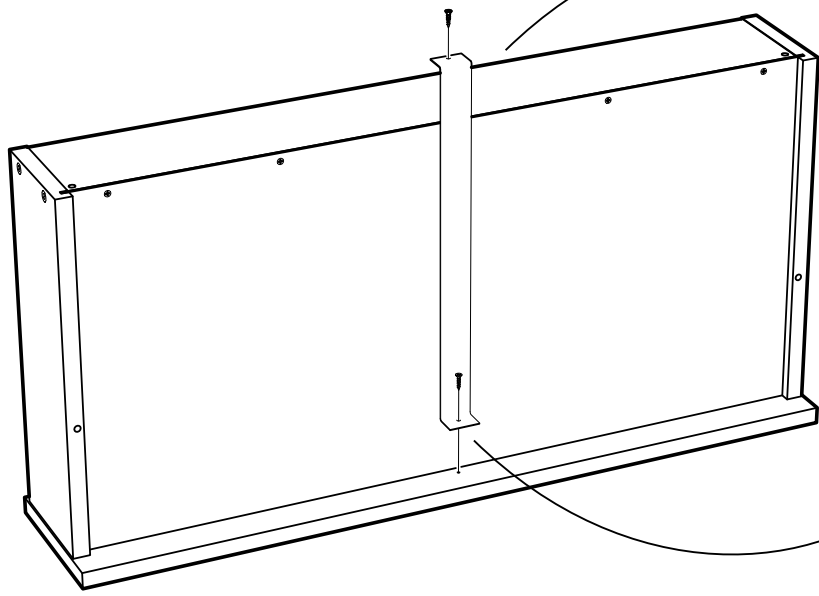
	1006012		x 8
---	---------	---	-----

			
		X=Y (>2mm)	X=Y (≤2mm)



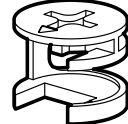


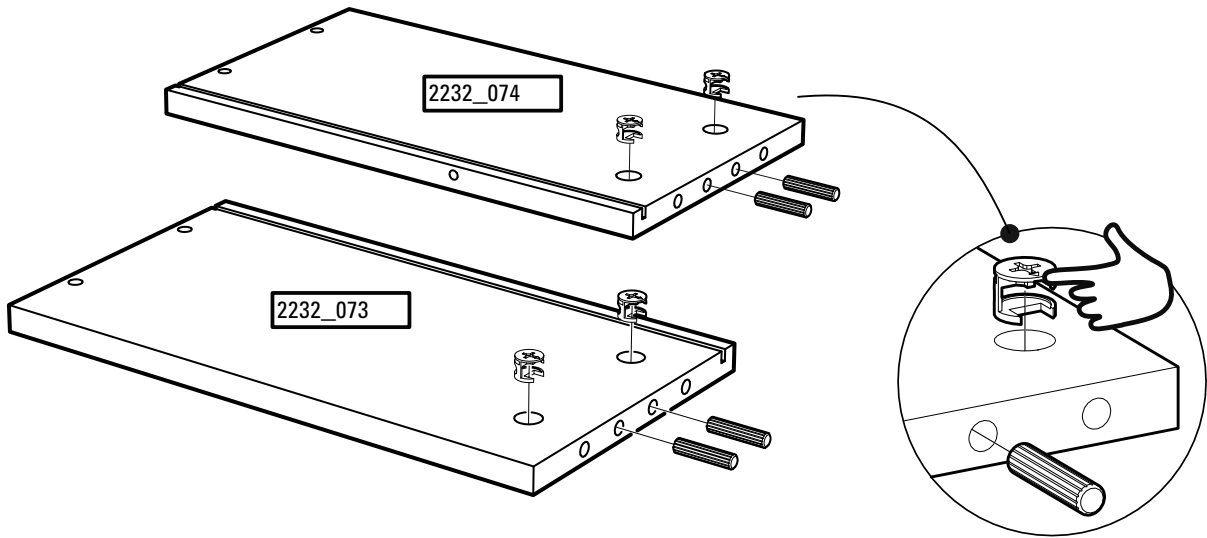
36

	1006012		x 4	1004049		x 2
---	---------	---	-----	---------	---	-----


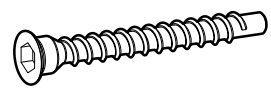


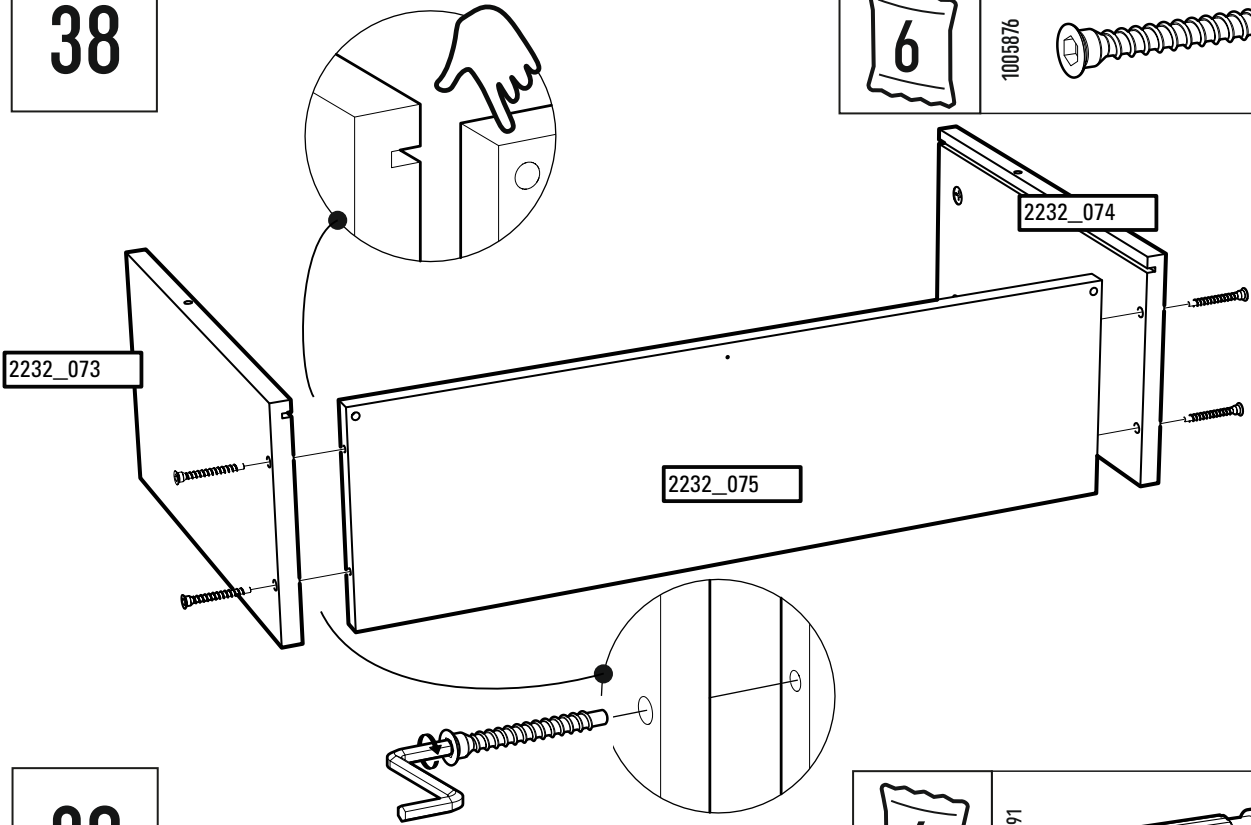
37

 <p>6</p>	<p>1005857</p>  <p>x 4</p>	<p>1005990</p>  <p>x 4</p>
---	--	--


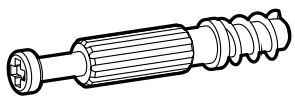


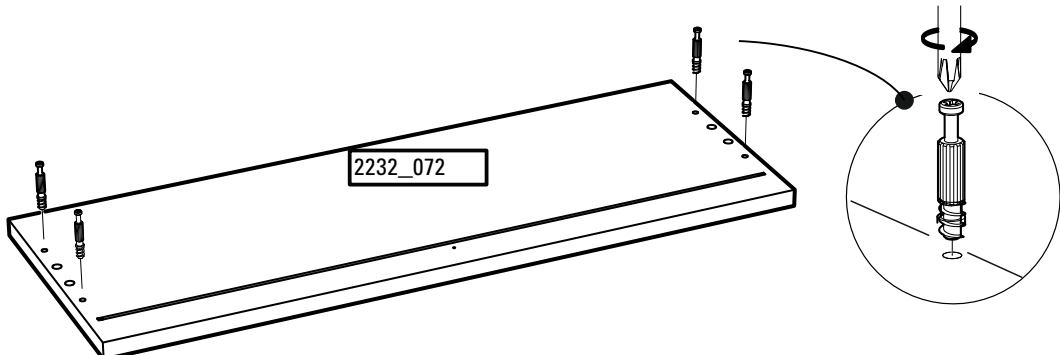
38

 <p>6</p>	<p>1005876</p>  <p>x 4</p>
---	---

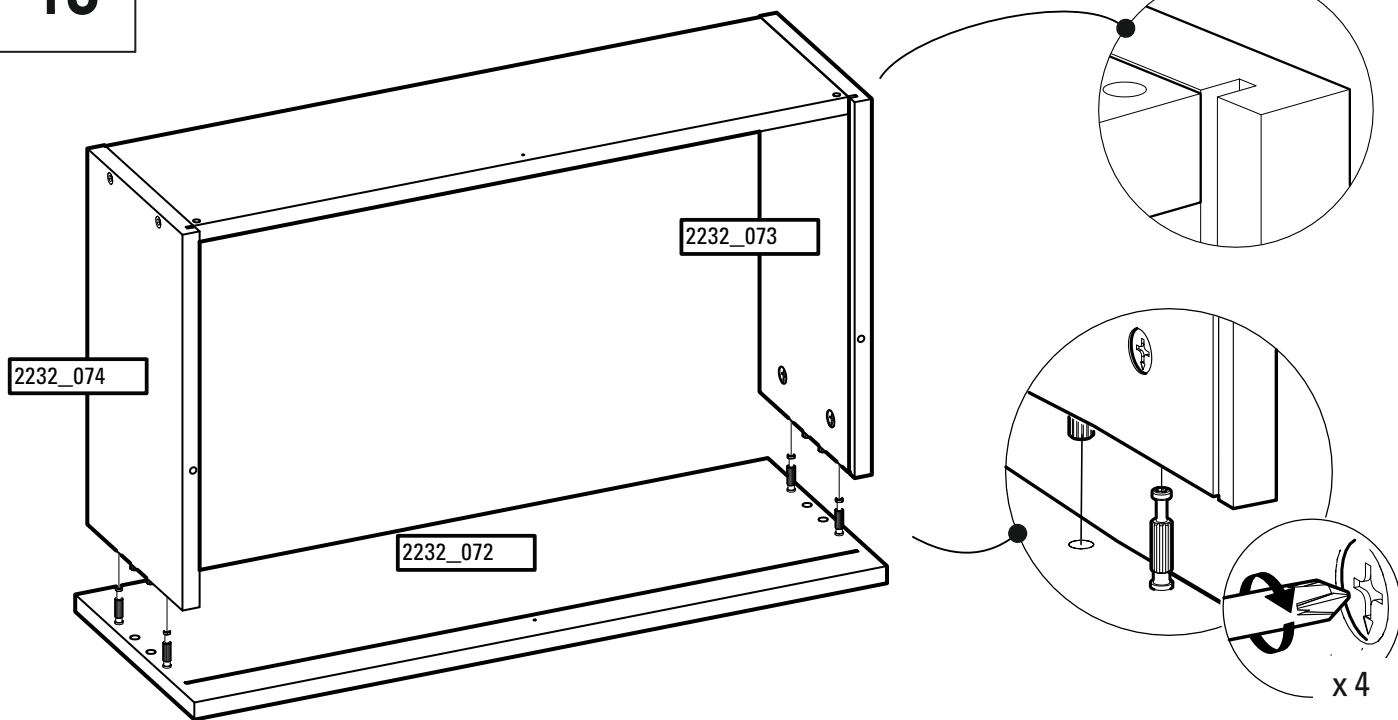


39

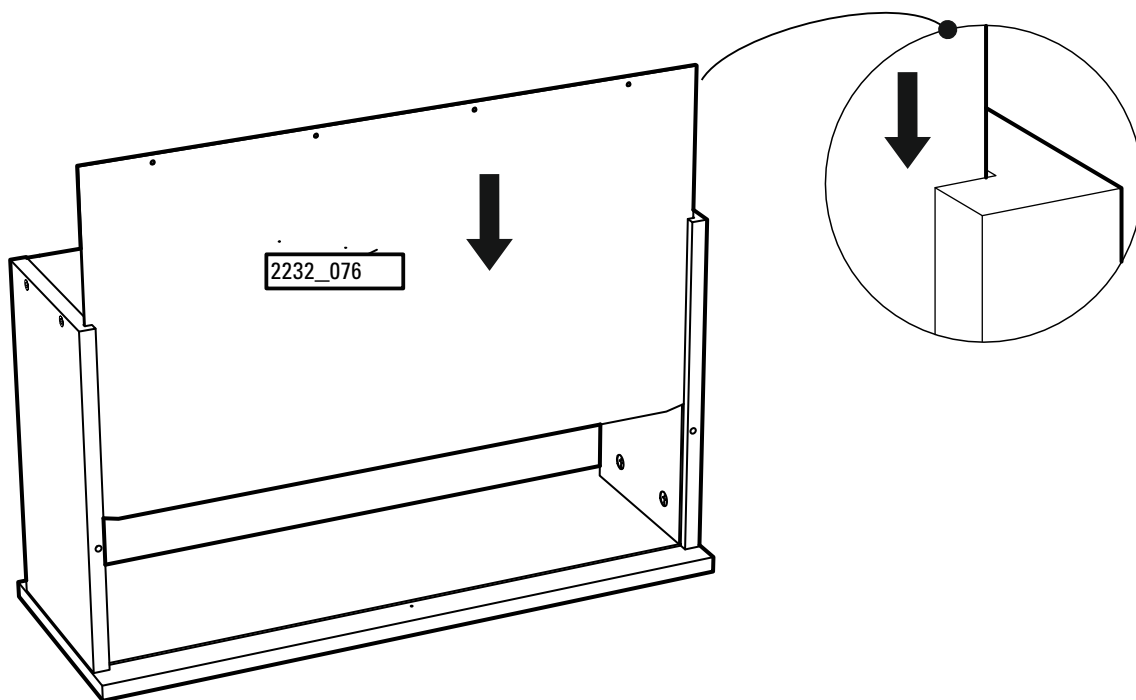
 <p>6</p>	<p>1006091</p>  <p>x 4</p>
---	---





40



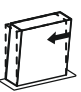




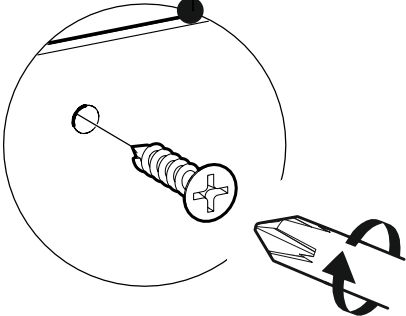
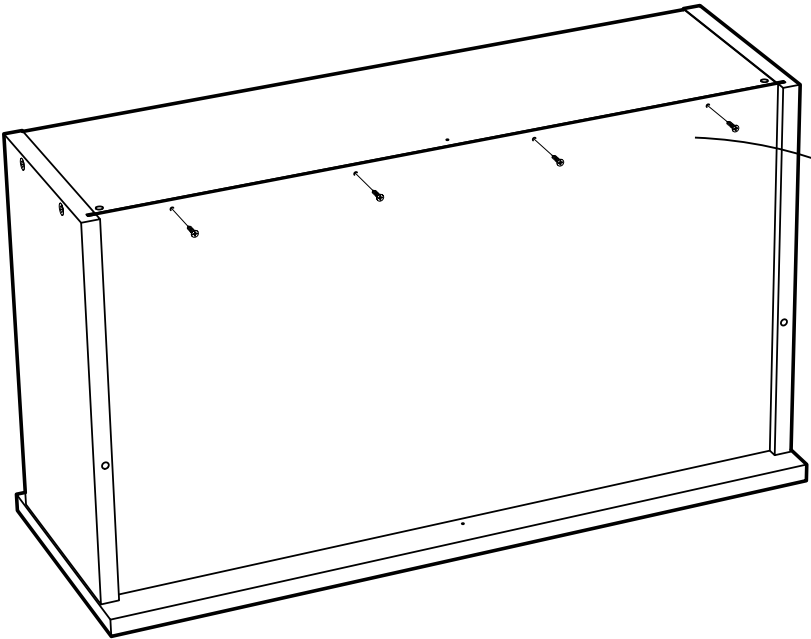
41






42

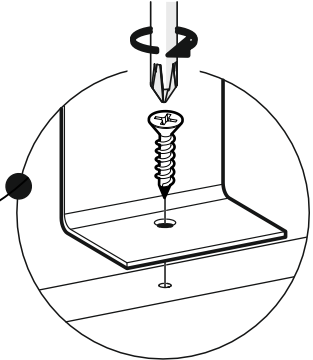
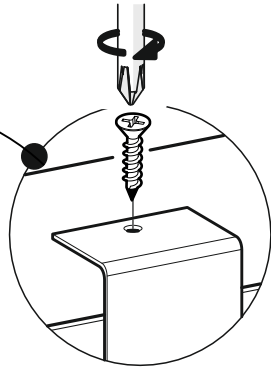
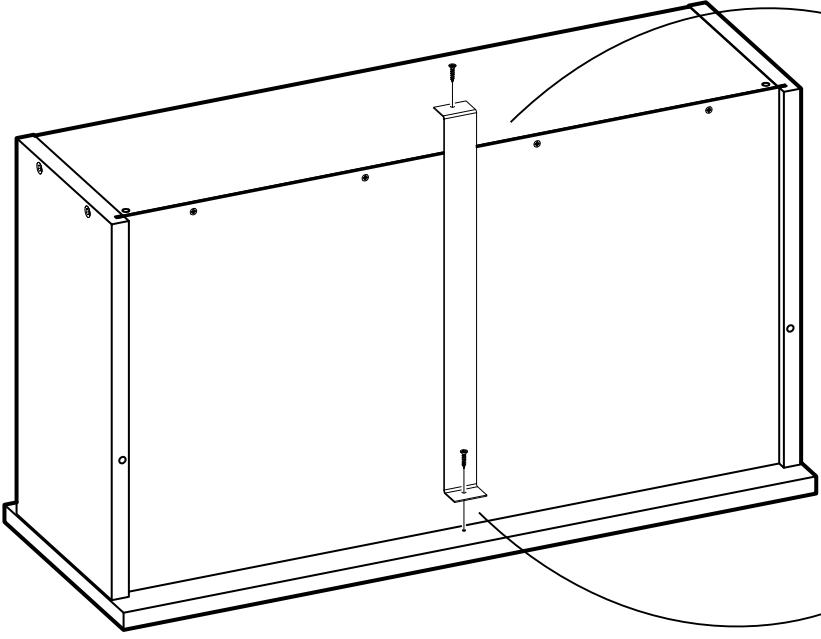
	1006012		x 4
---	---------	---	-----

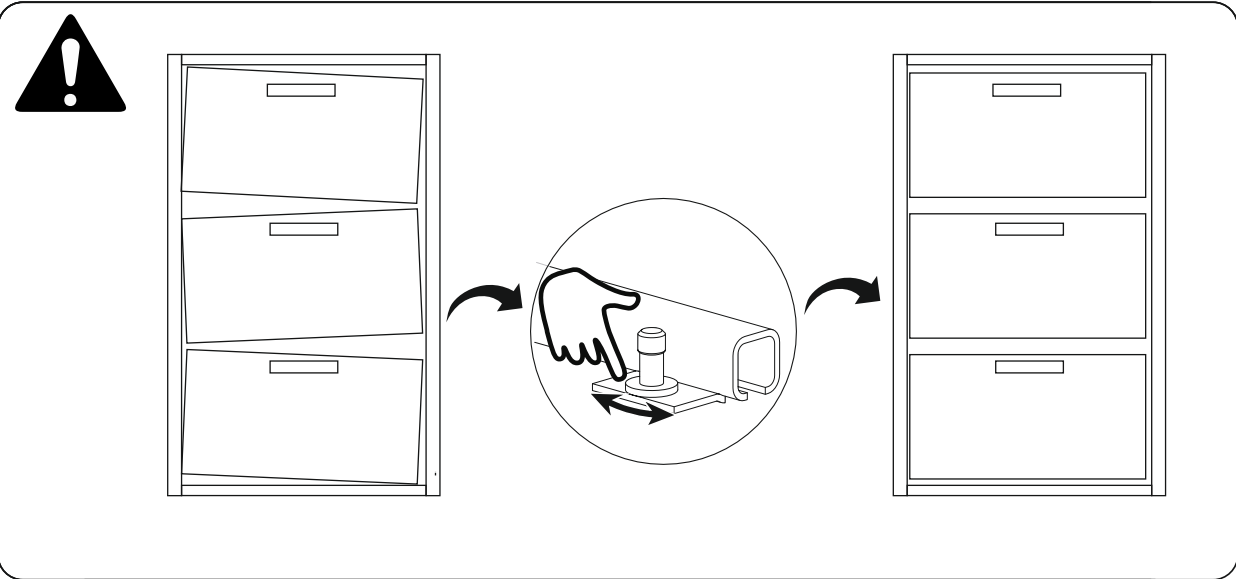
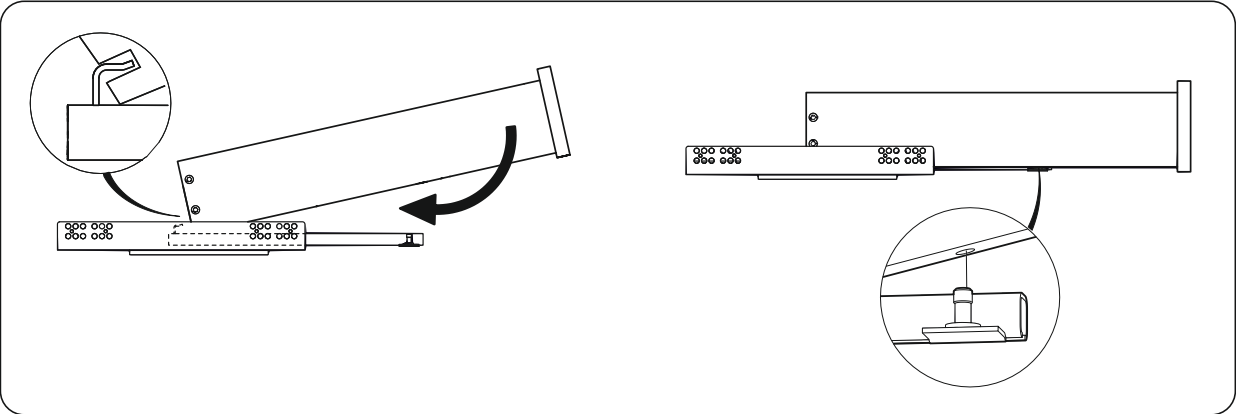
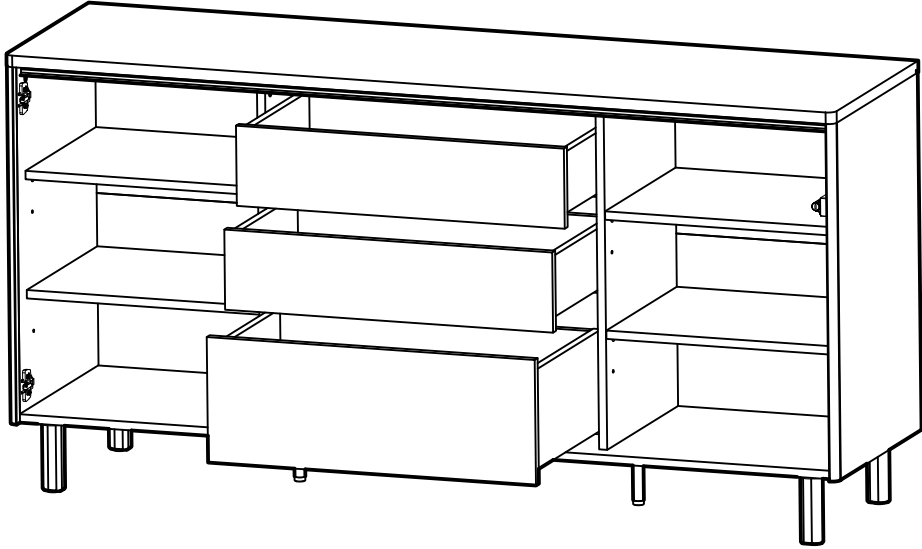
			
		X=Y (±2mm)	X=Y (±2mm)



43

	1006012		x 2	1004049		x 1
---	---------	---	-----	---------	---	-----





45

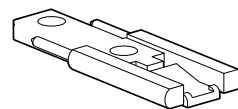


1005681

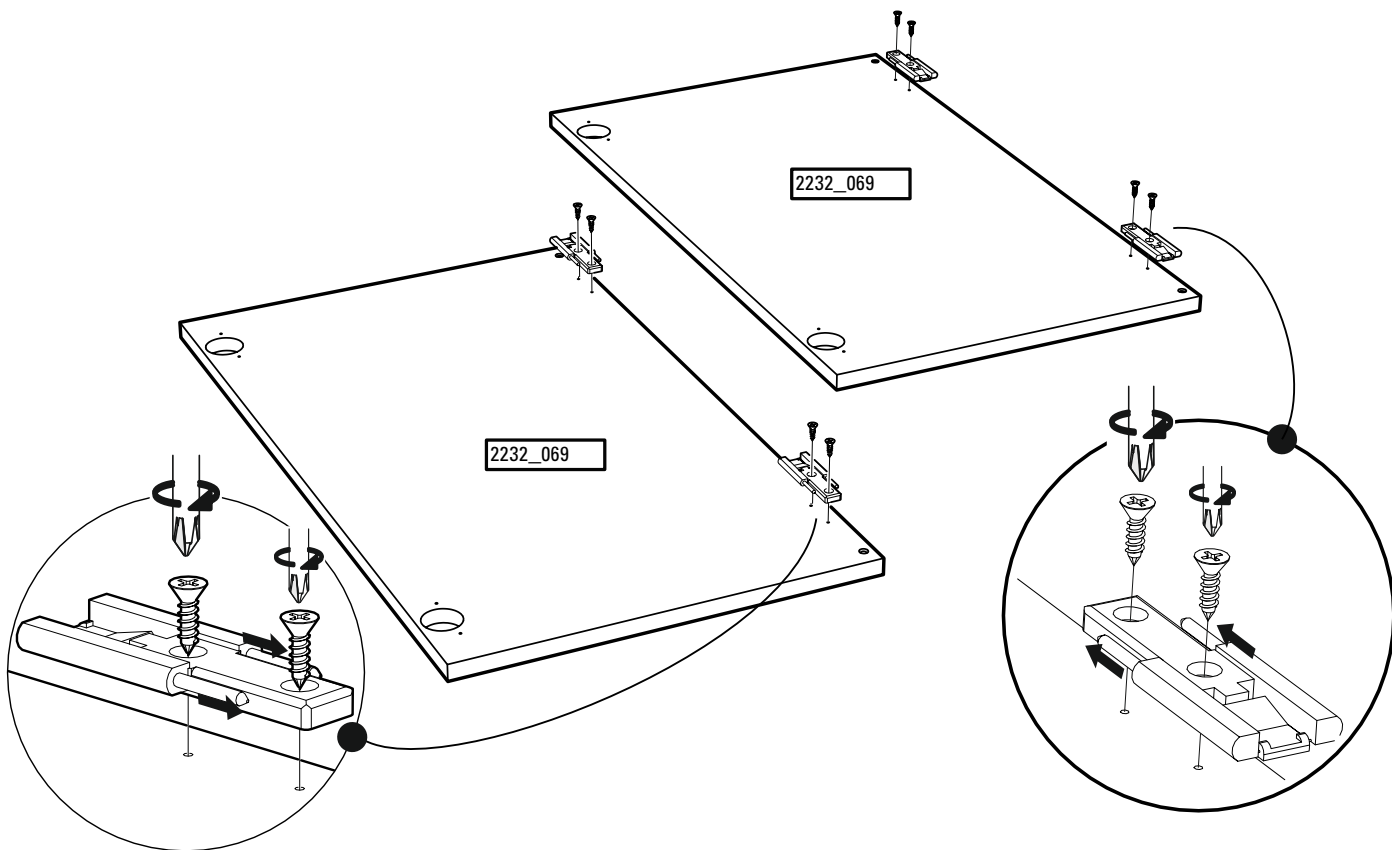


x 8

1123189



x 4



46

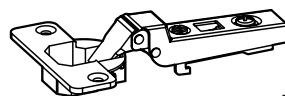


1005681



x 8

1136288

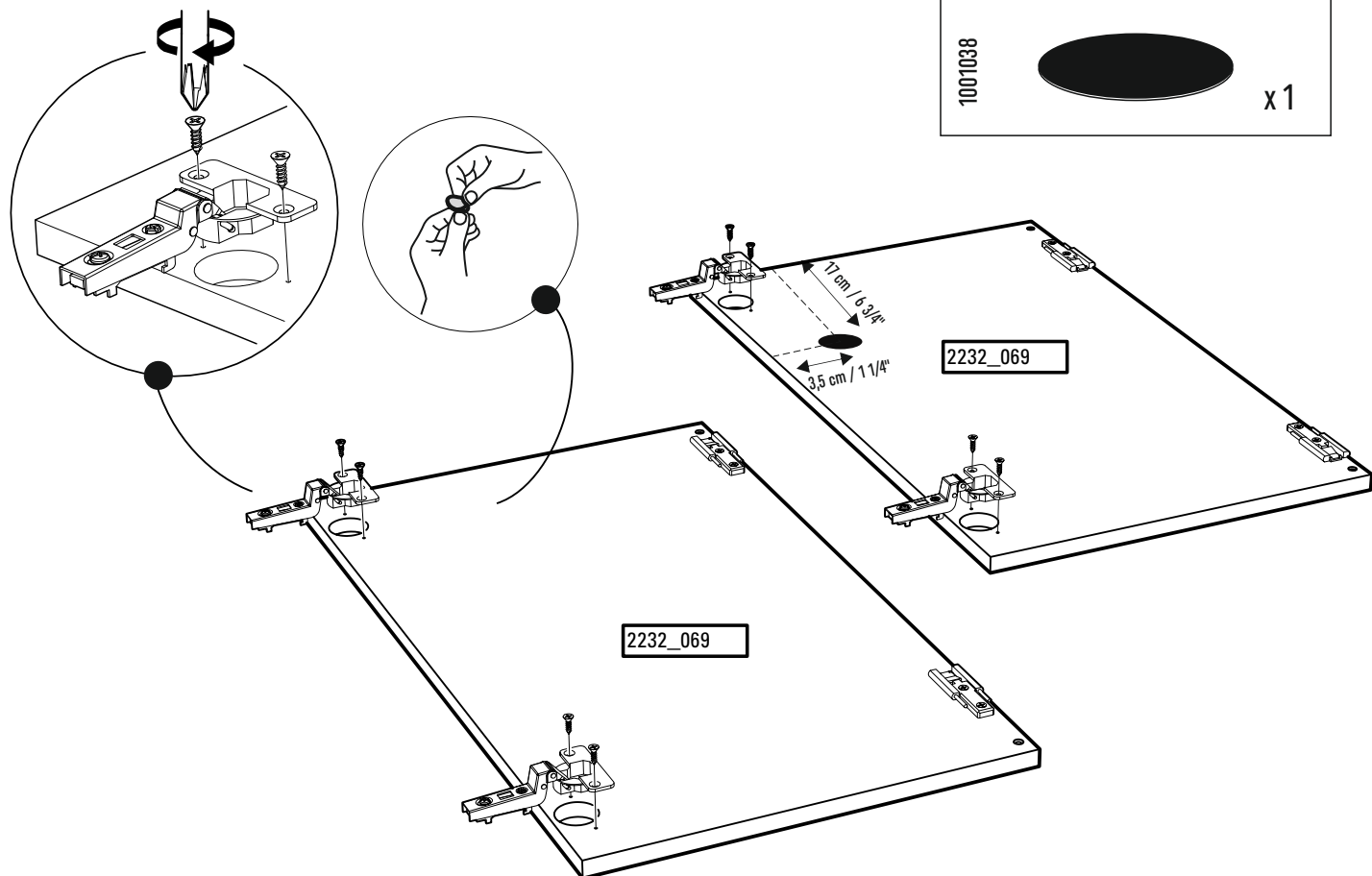


x 4



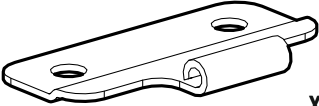
1001038

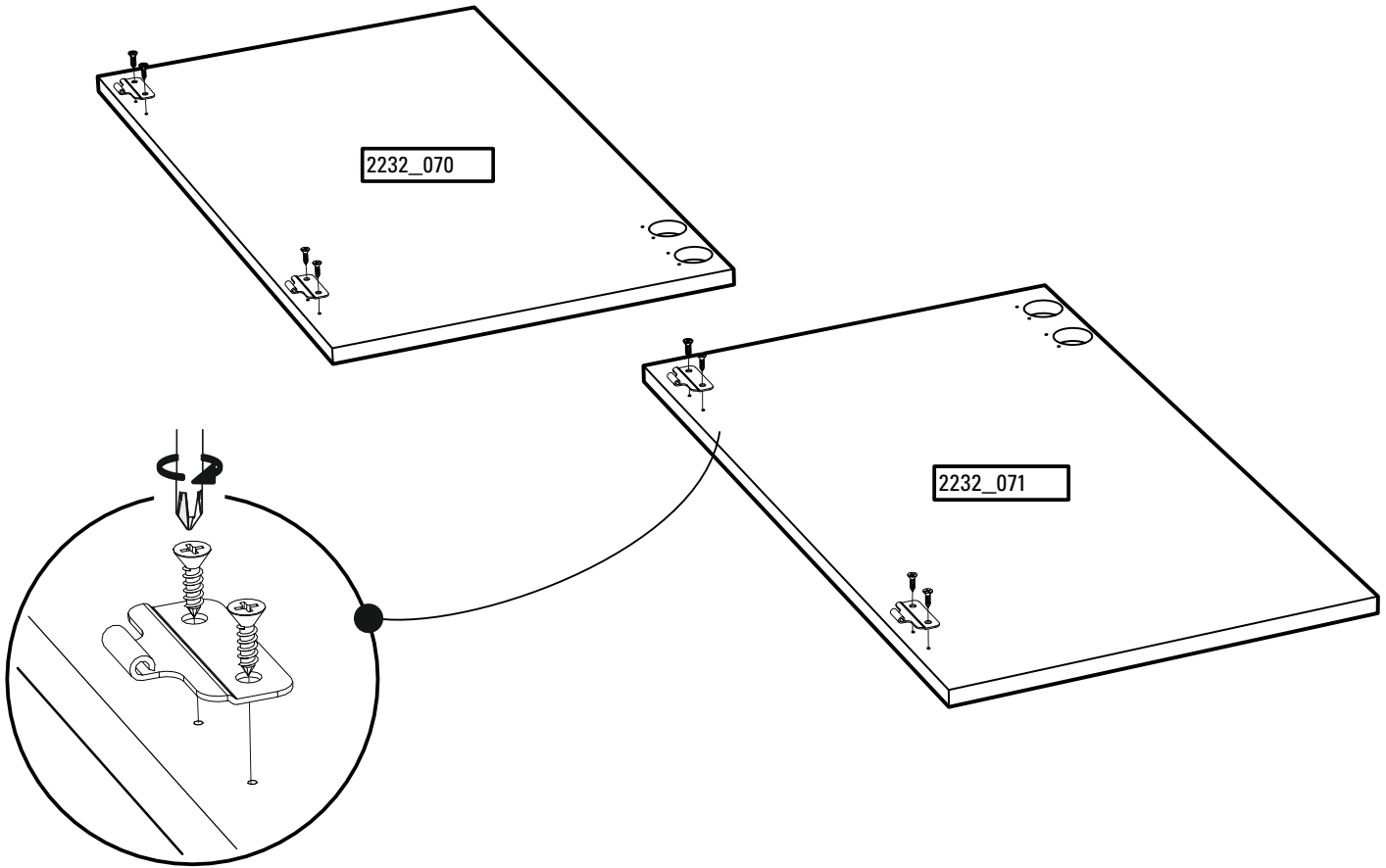


x 1



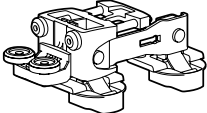


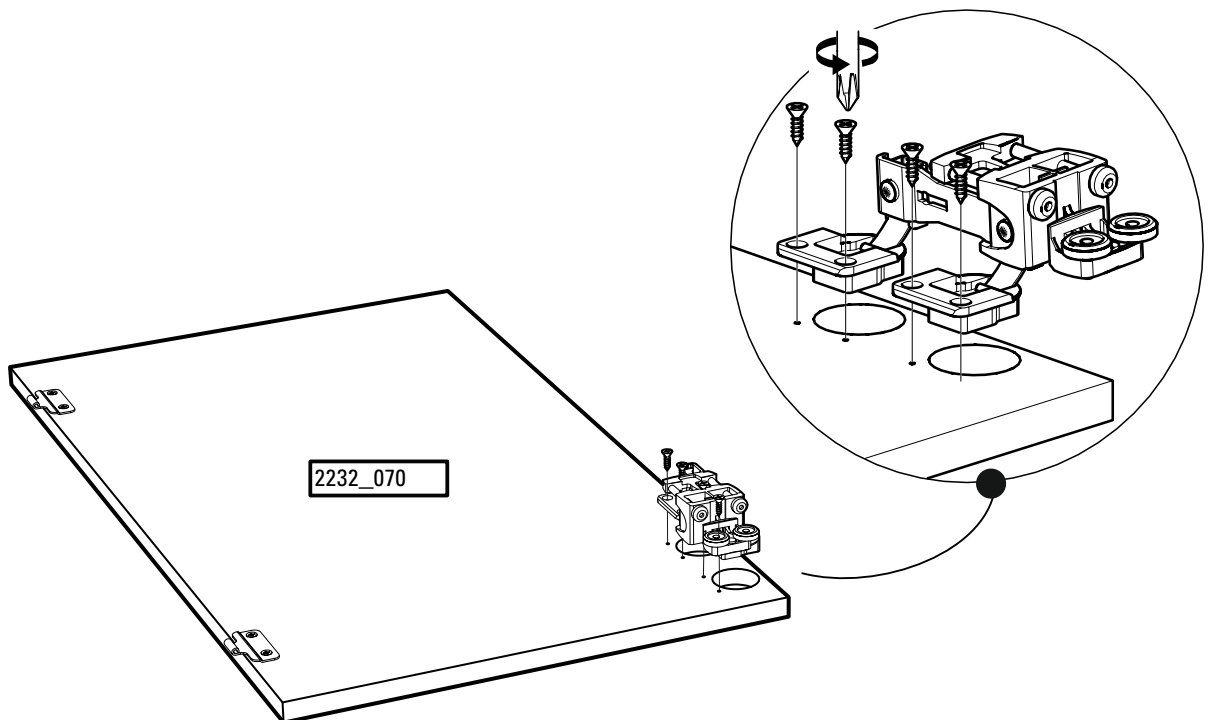
47

	1005681		x 8	1123188		x 4
--	---------	---	-----	---------	--	-----



48

	1005681		x 4	1123182		x 1
---	---------	---	-----	---------	---	-----



49

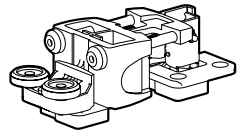
7

1005681

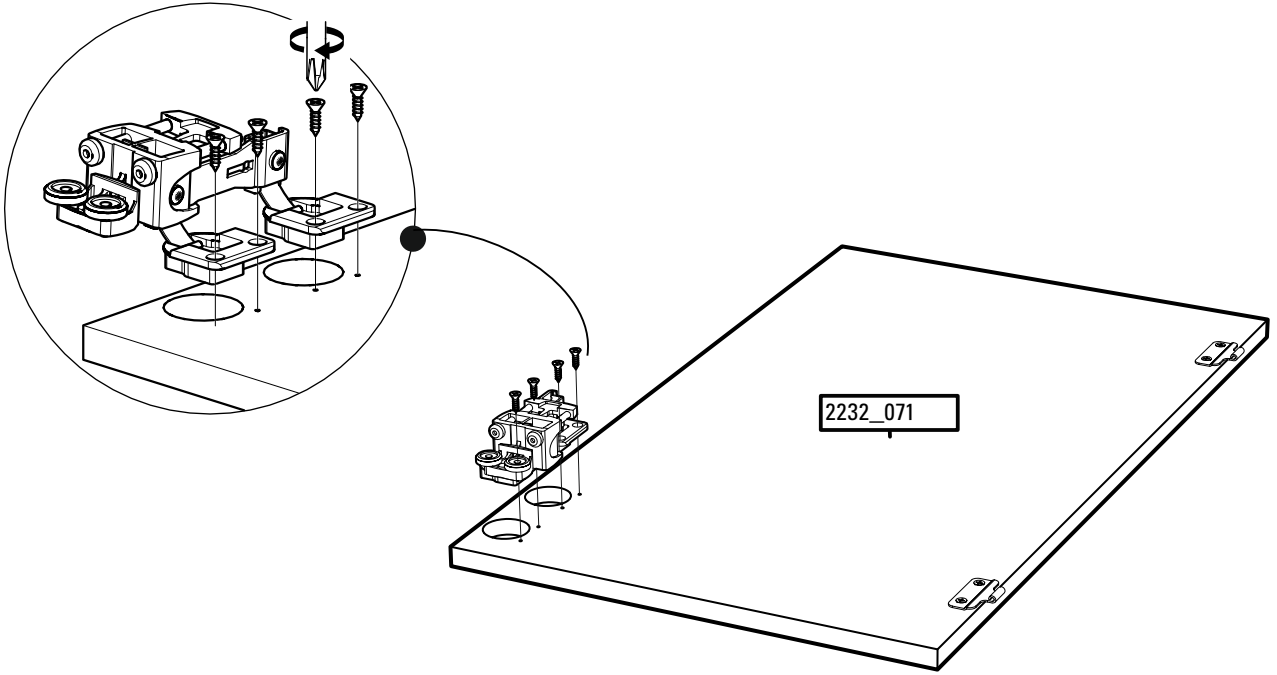


x 4

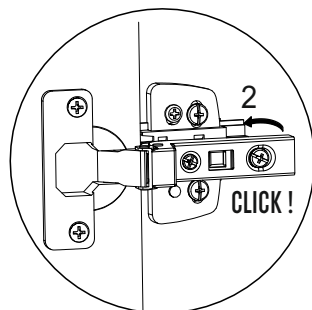
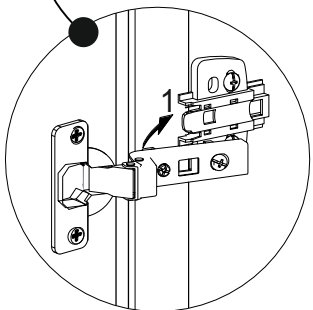
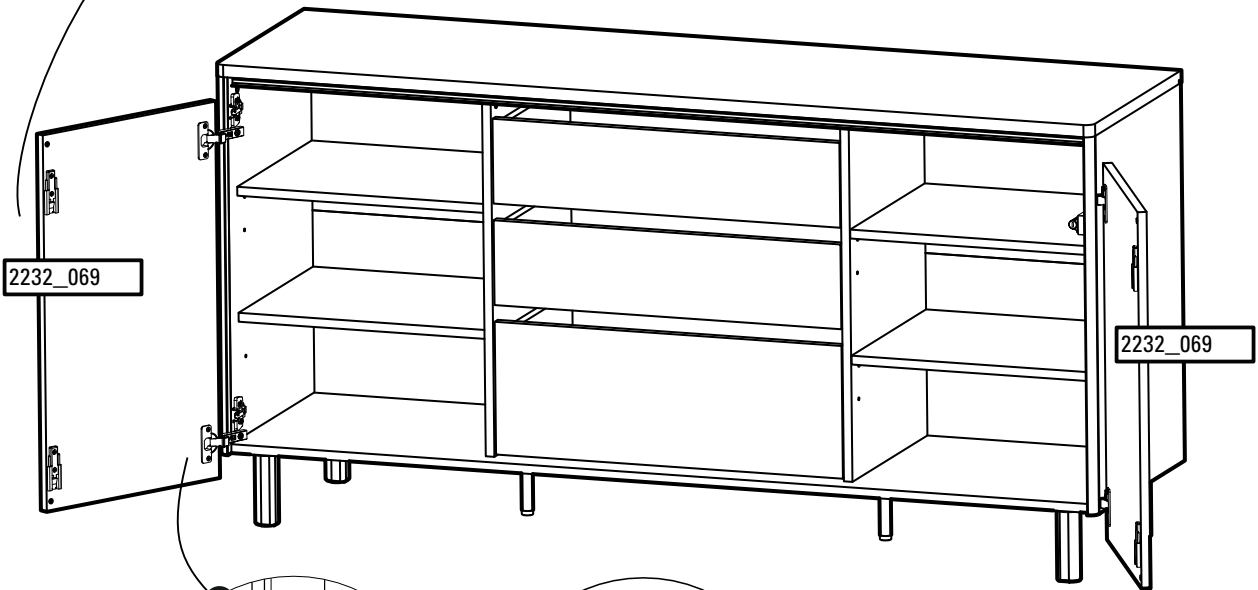
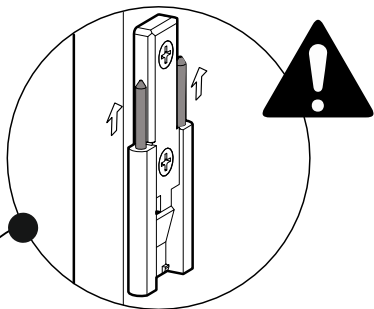
1123181



x 1



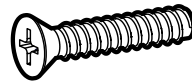
50



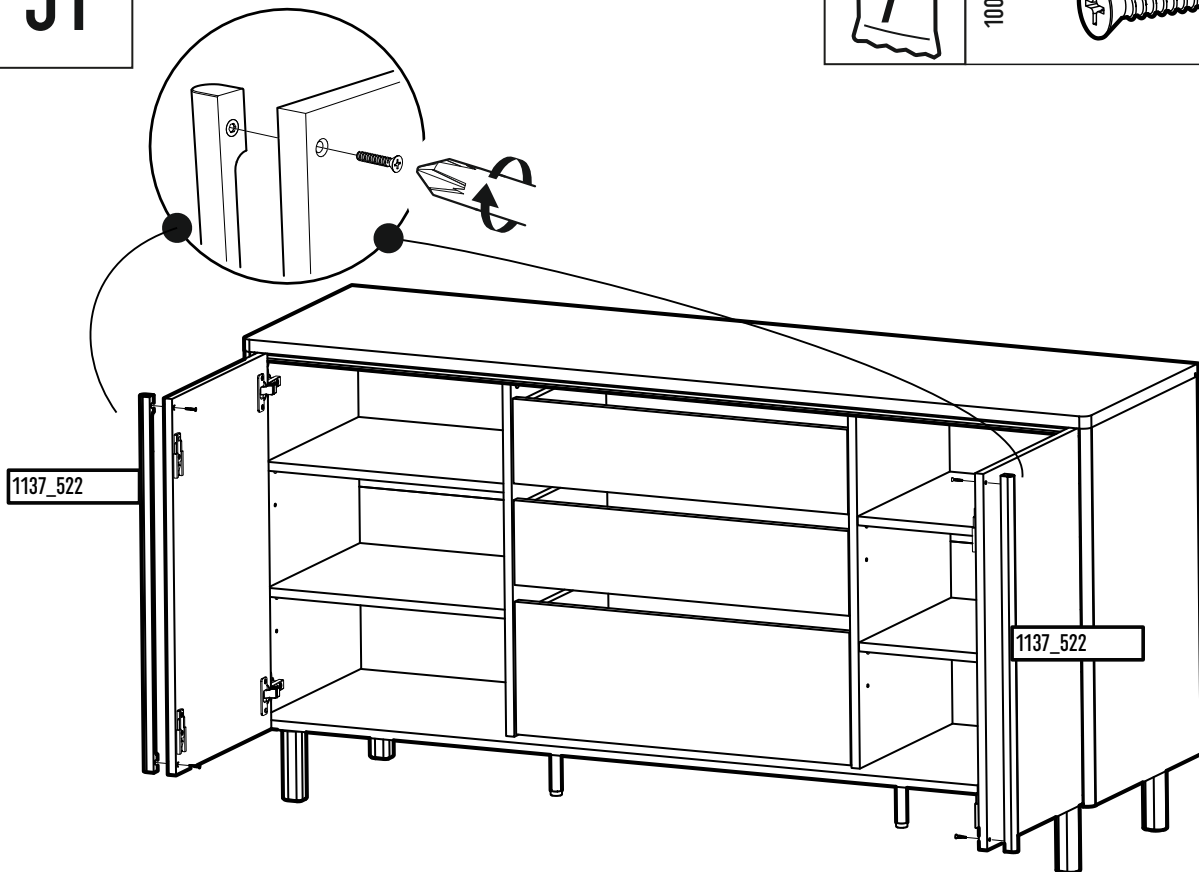
51

7

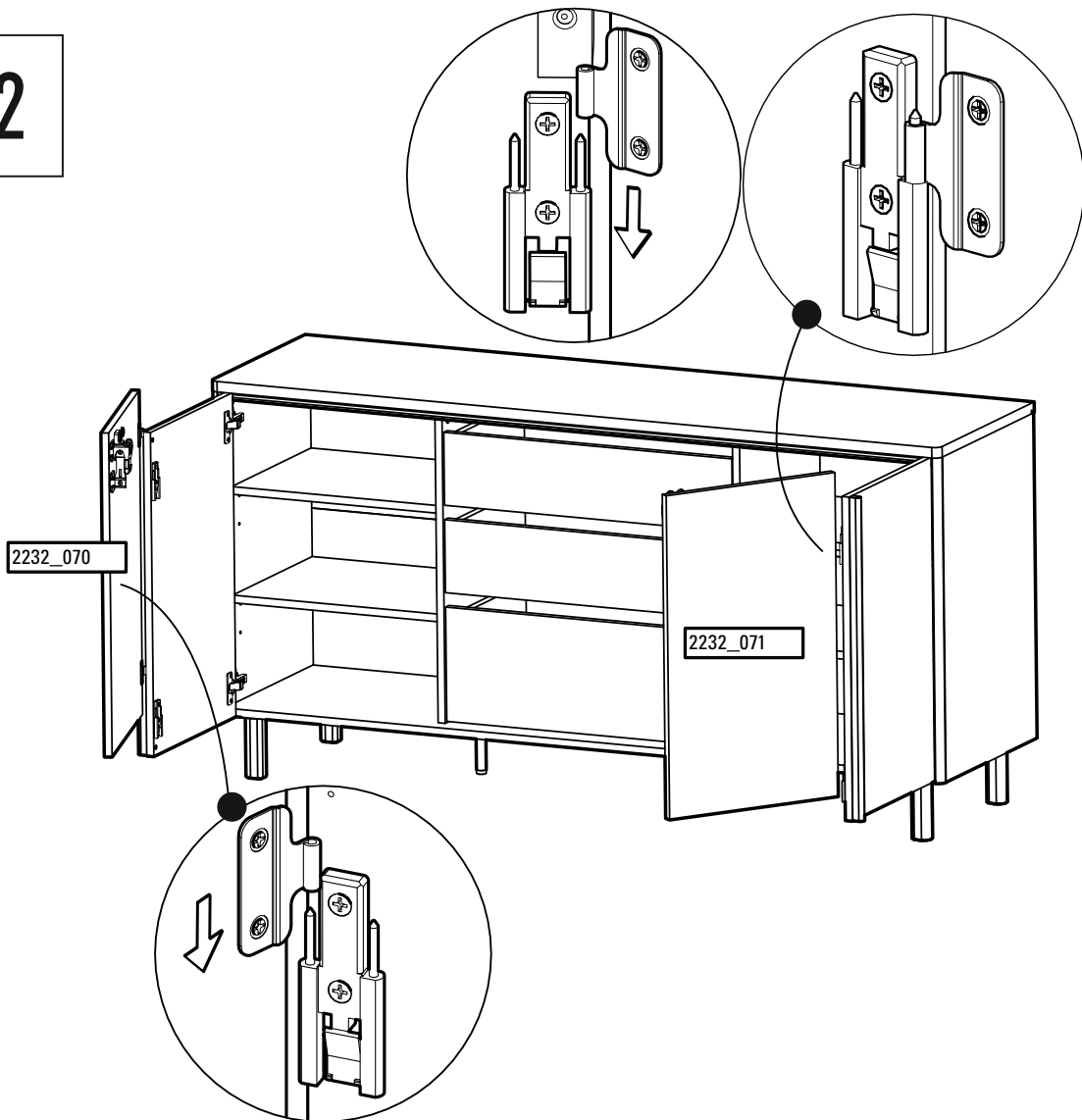
1005907



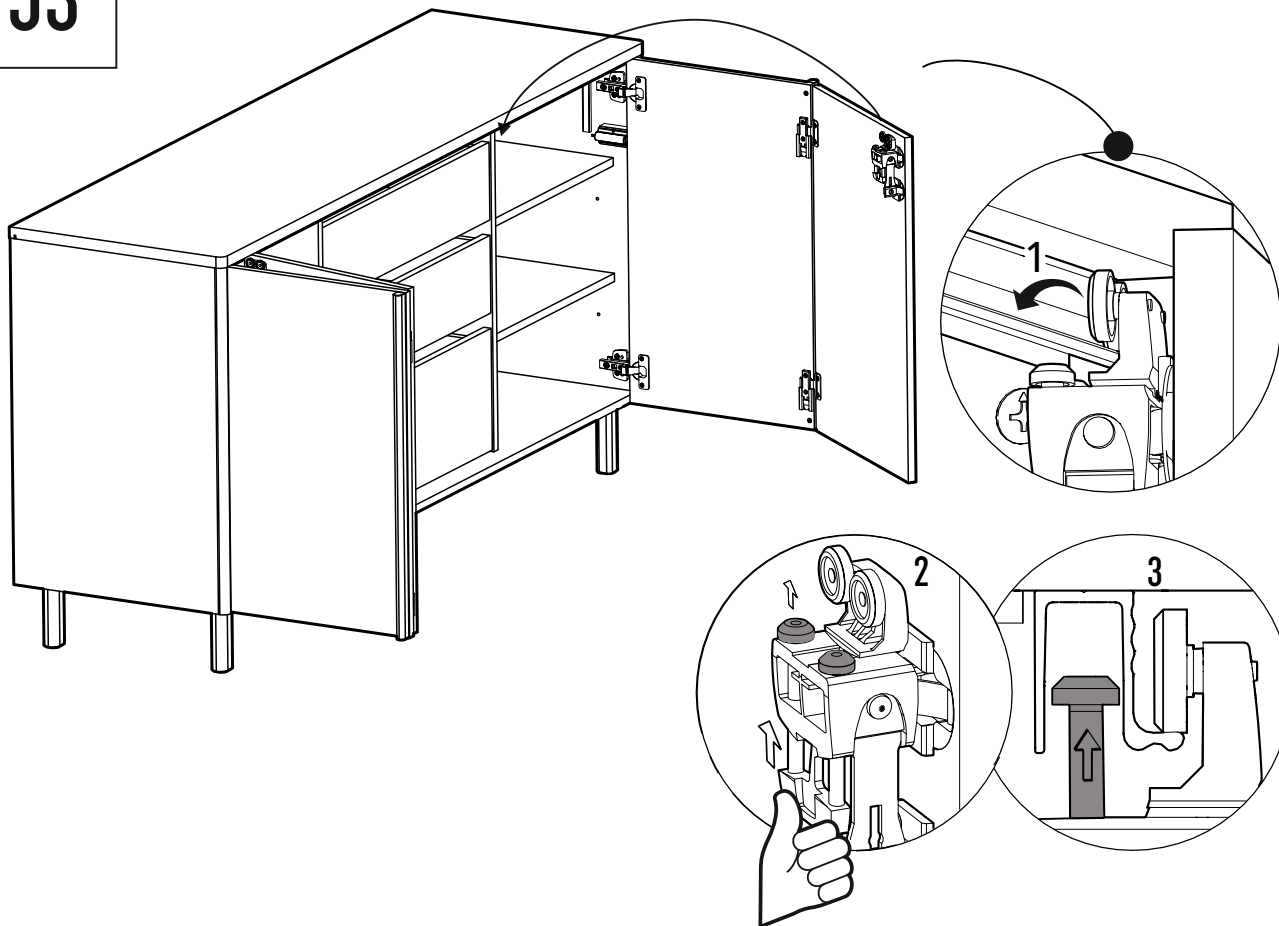
x 4



52



53



54

