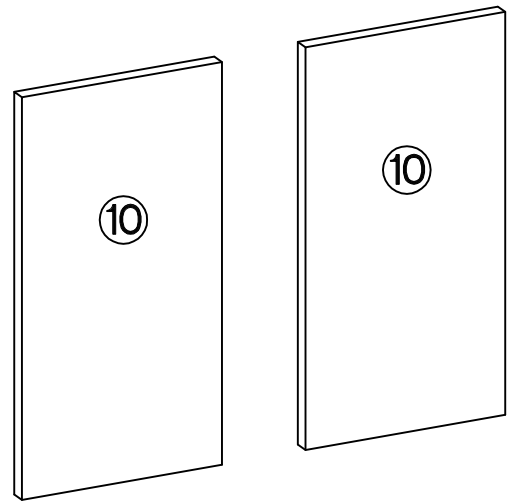
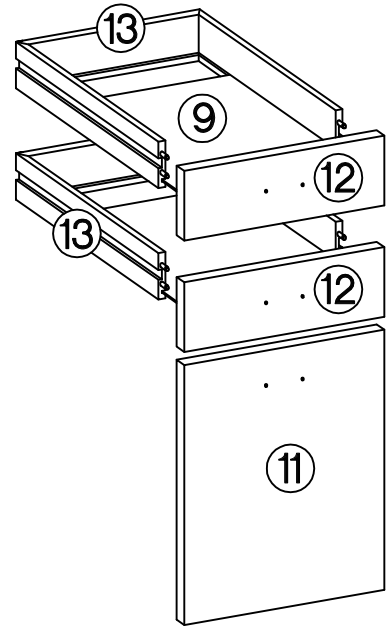
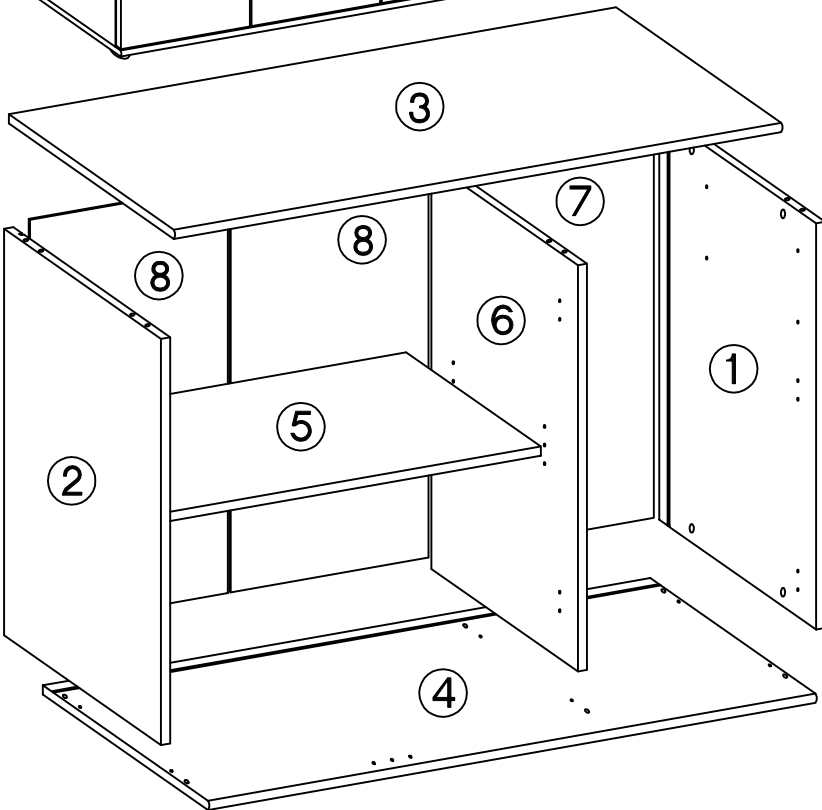
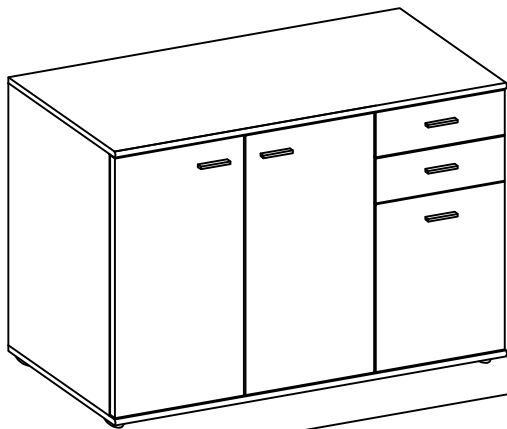
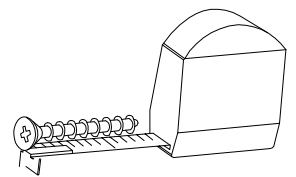







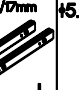


M-ISM-SLO-01

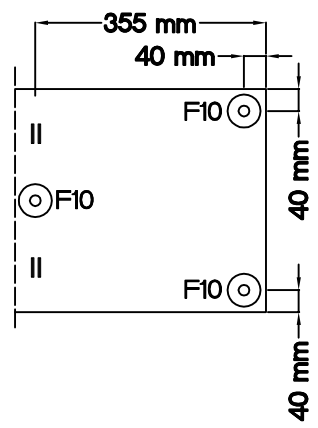
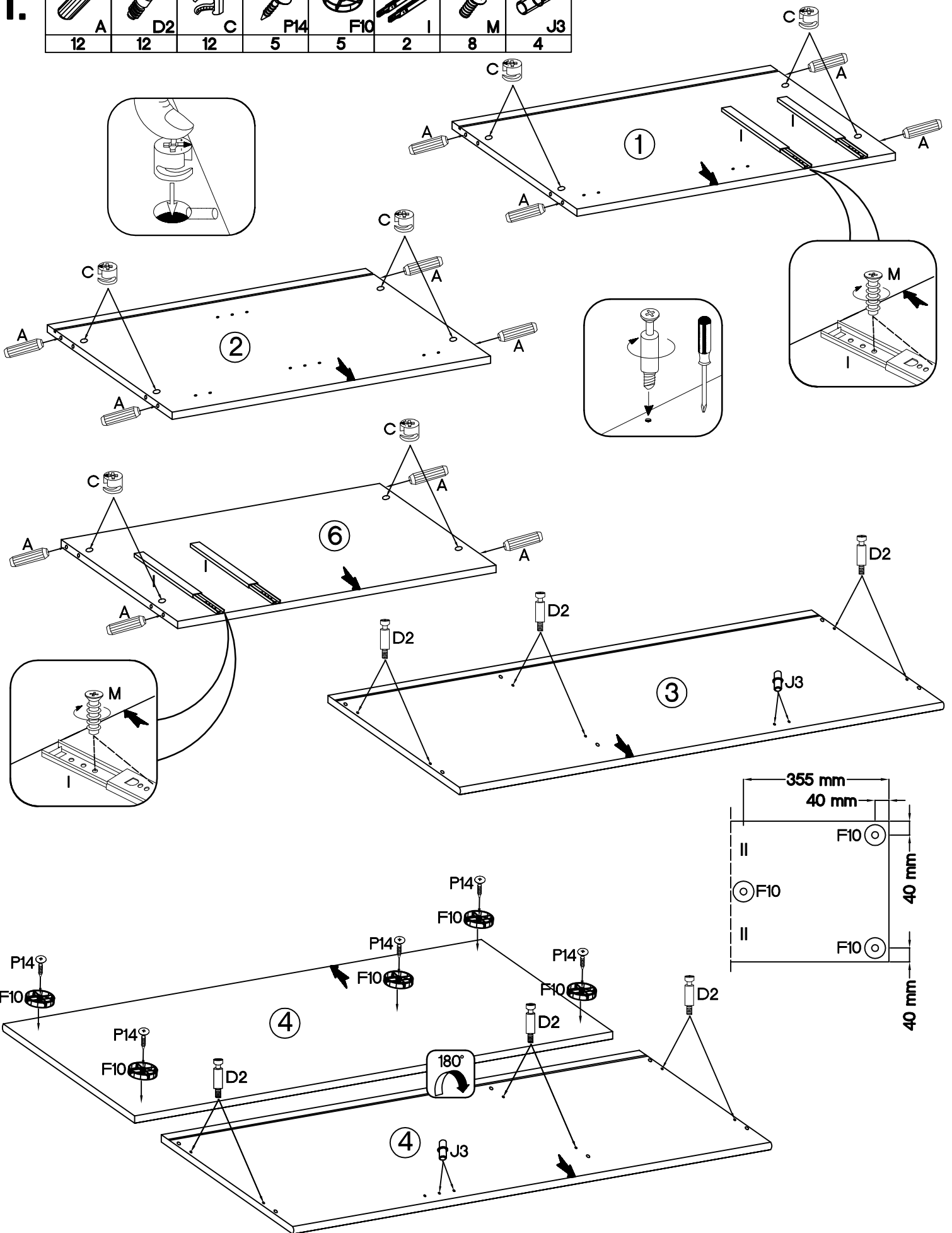


 P5	 H	 G1	 P14	 F10	 U1	 O7	 L9	 L2	 J3	 L	
13	6	2	5	5	4	1	1	5	8	10	
 S13	 L1	 M	 A	 D2	 C	 E	 O1	 G	 I	 R2	 P7
5	1	8	20	12	12	8	1	4	2	10	5





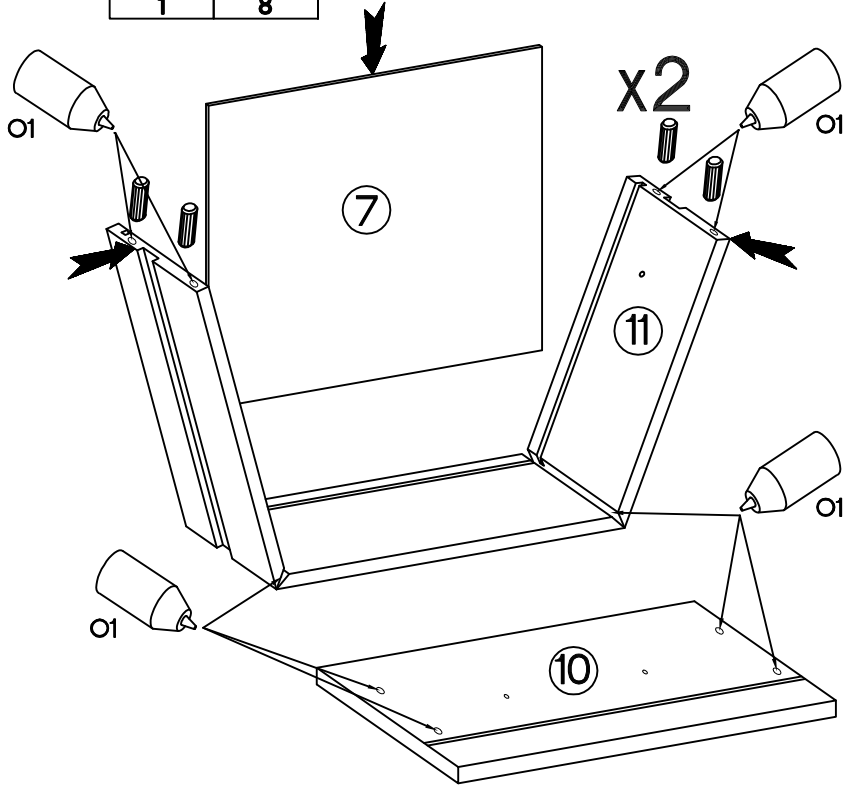
1.

							
12	12	12	5	5	2	8	4





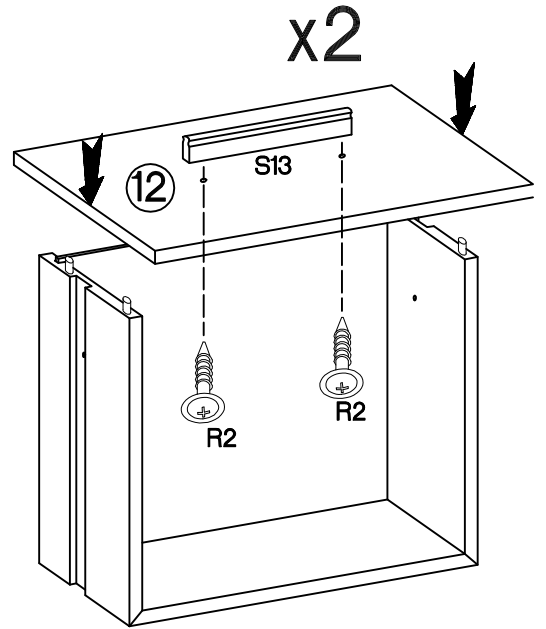
2.

	
O1	A
1	8

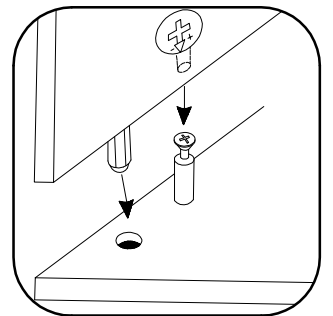
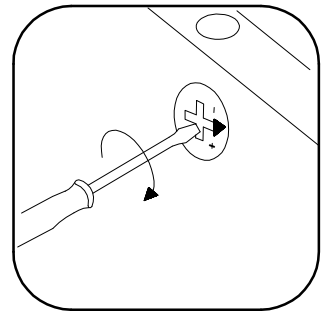
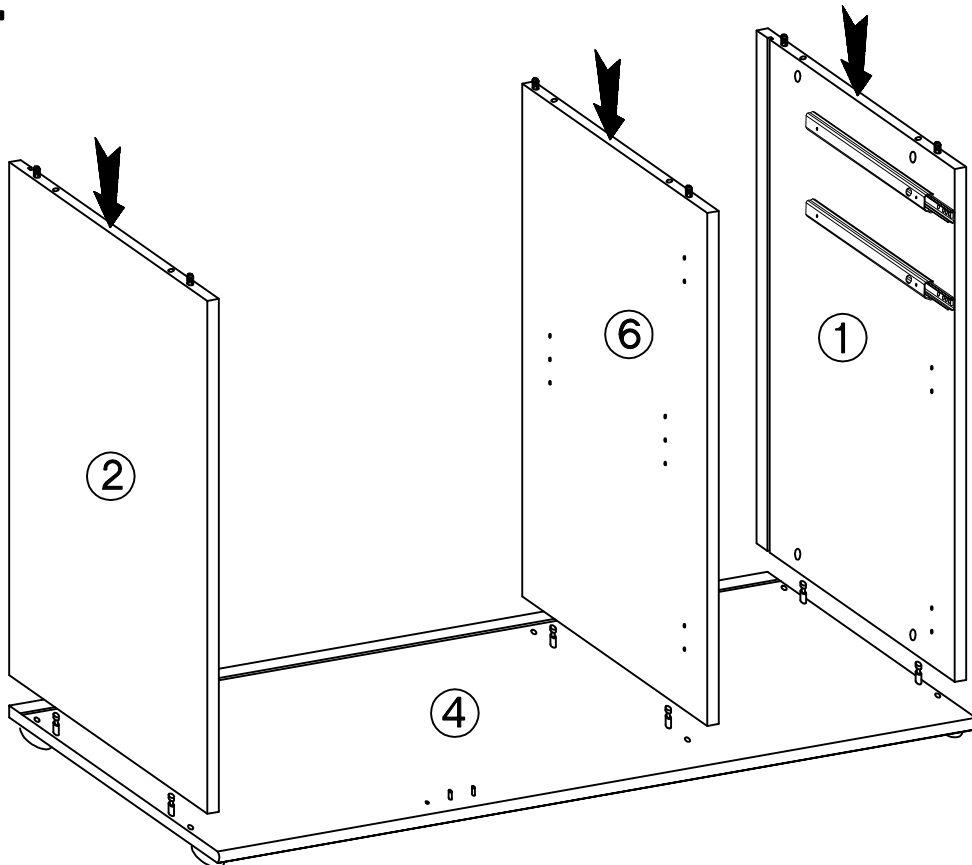


3.

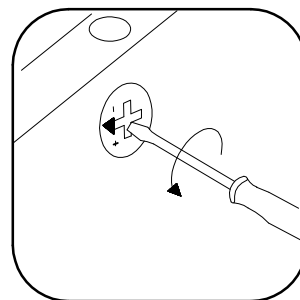
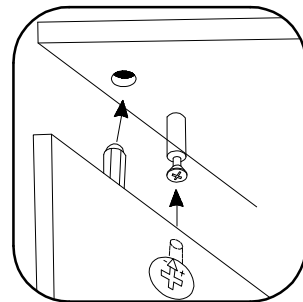
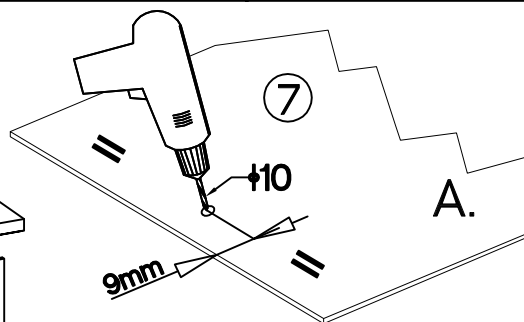
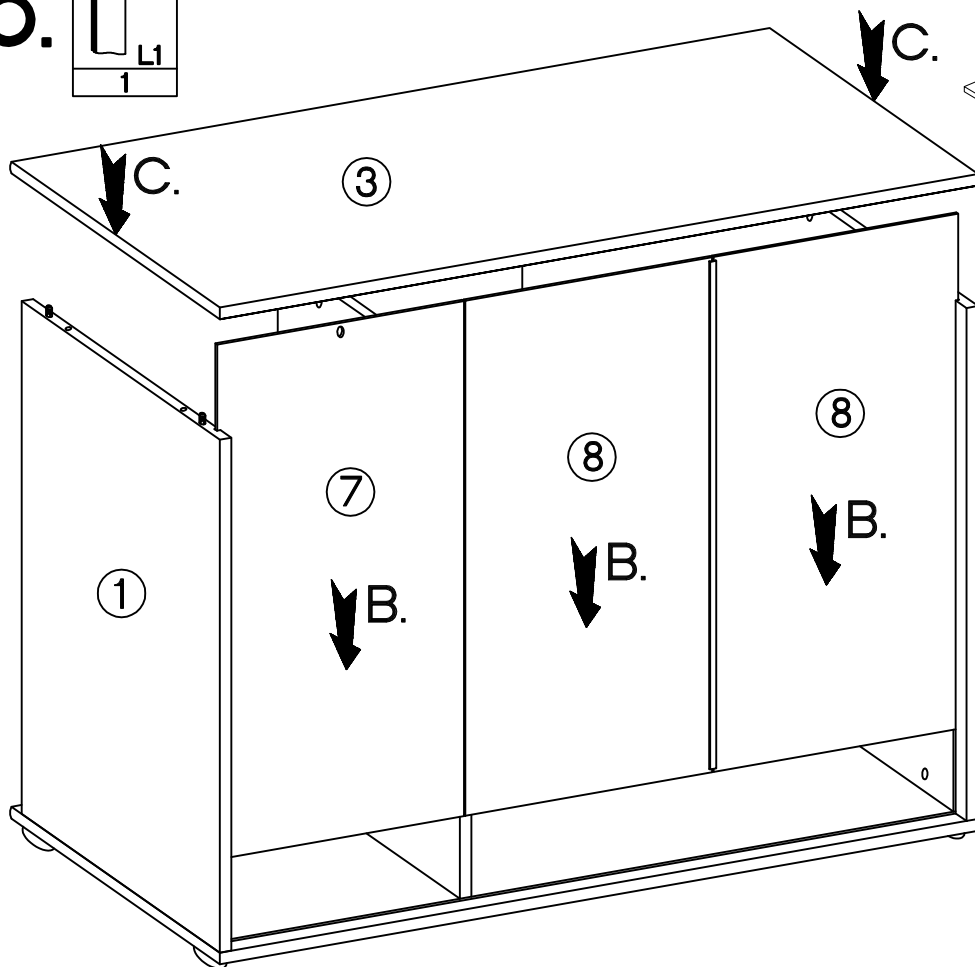
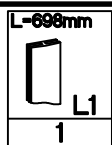
	
S13	R2
2	4



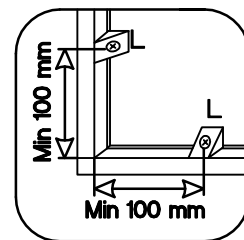
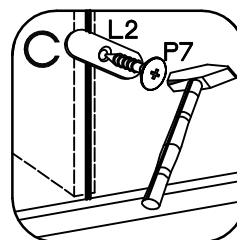
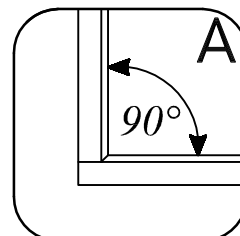
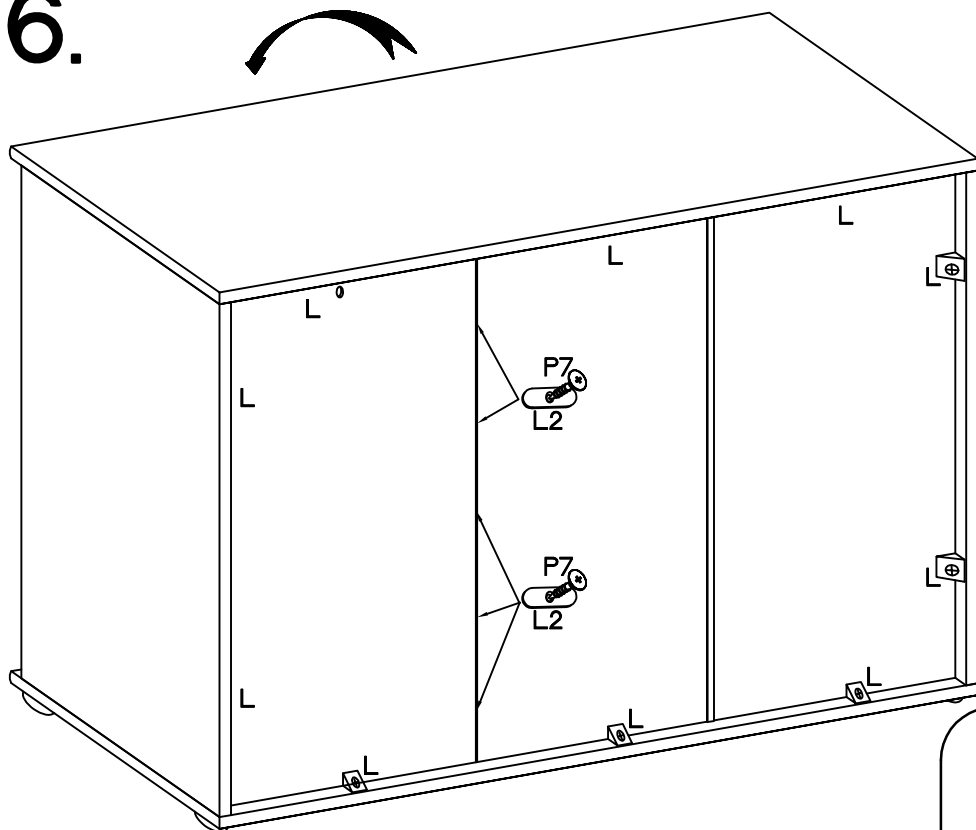
4.



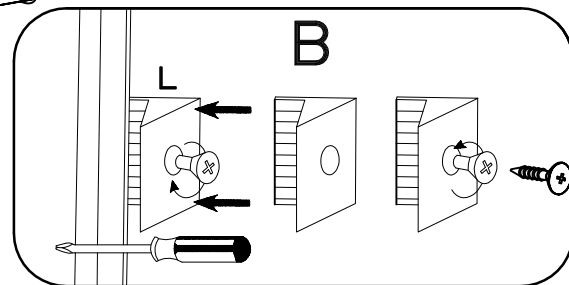
5.



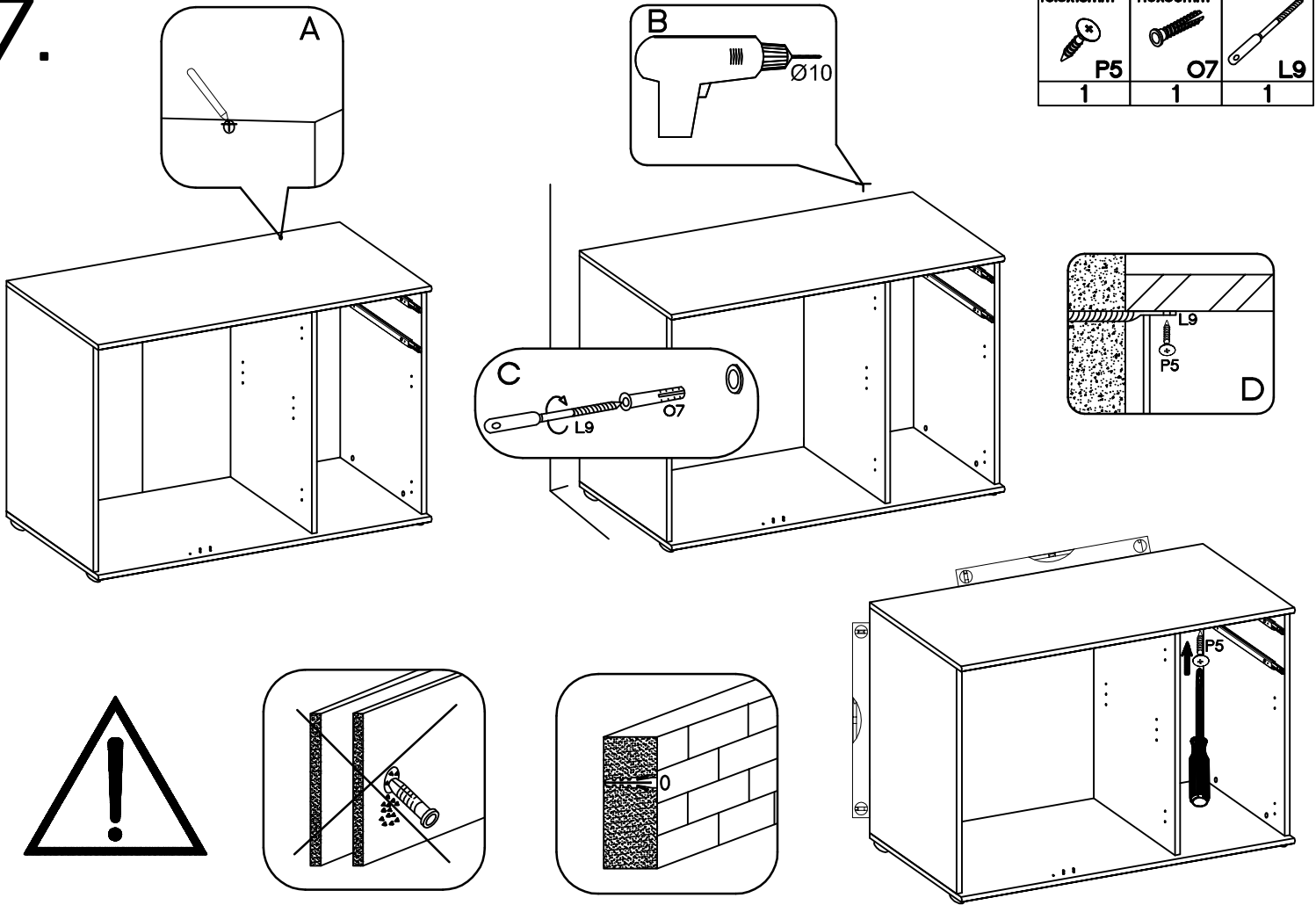
6.



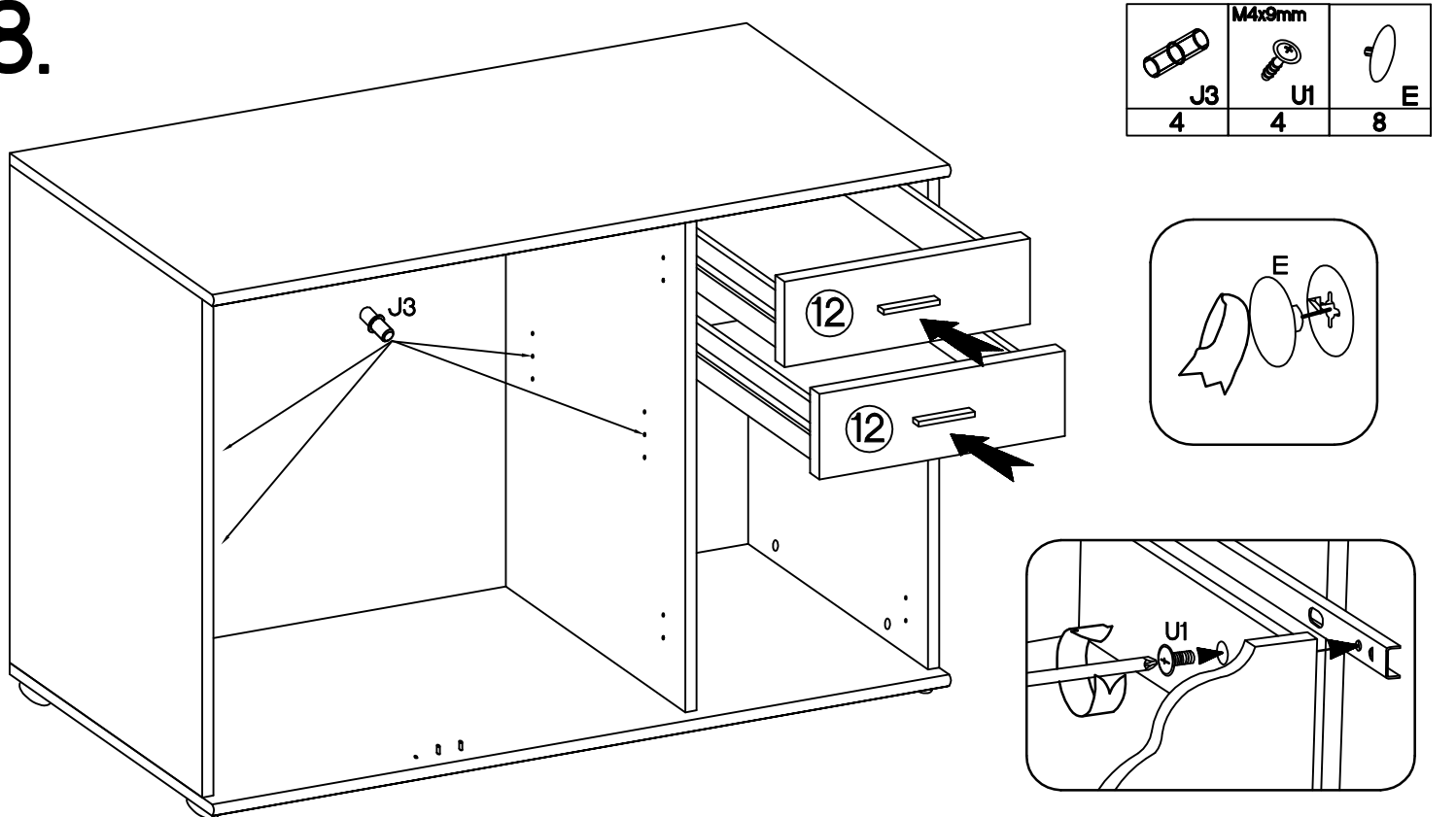
L	P7	L2
10	5	5







7.

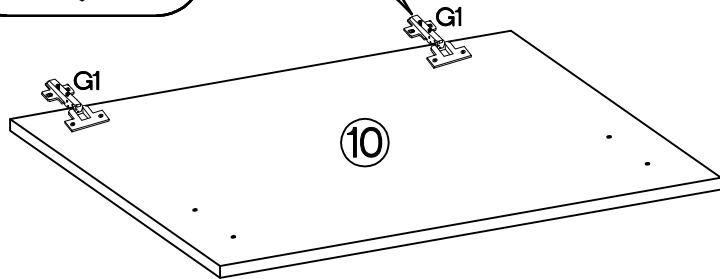
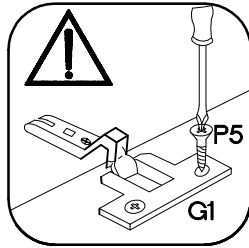
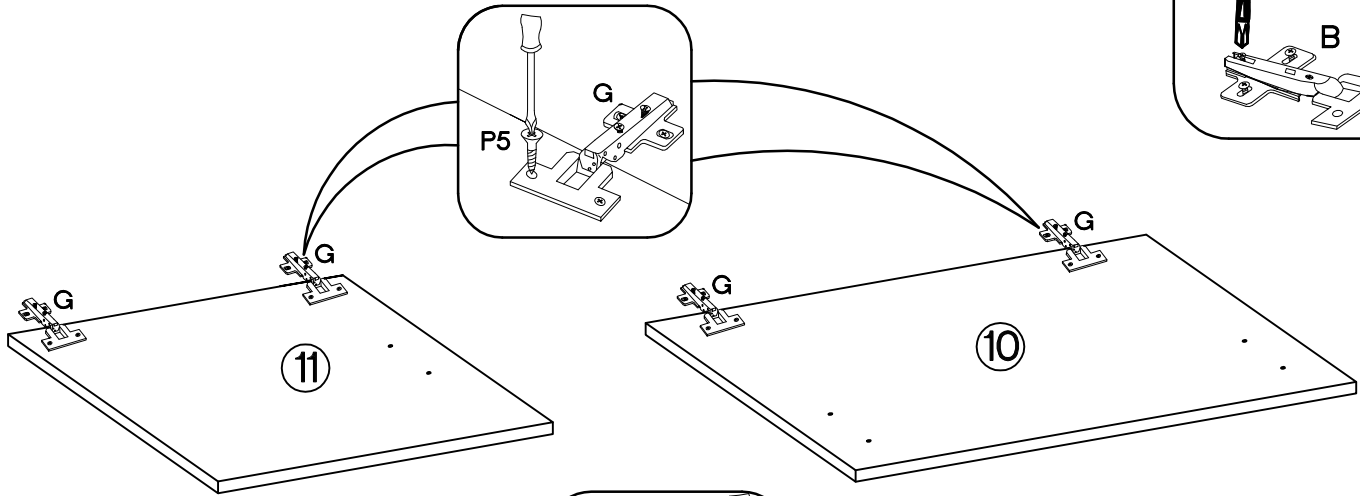
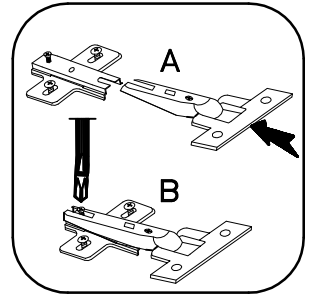


8.





9.

Ø3.5x13mm  P5 12	 H 6	Ø35/9mm  G1 2	Ø35/0mm  G 4
--	---	---	--



10.

L=64 mm	4.0x30mm
	
S13	R2
3	6

