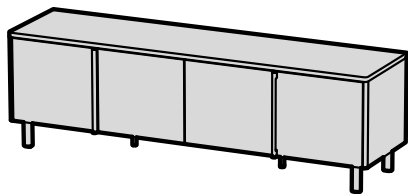


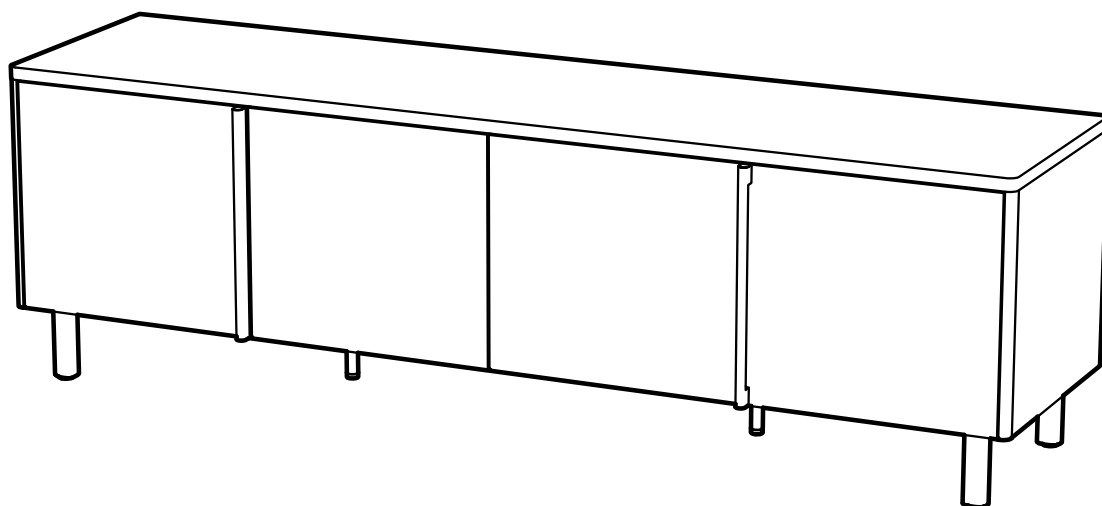
WELL

VOX

4024240_001



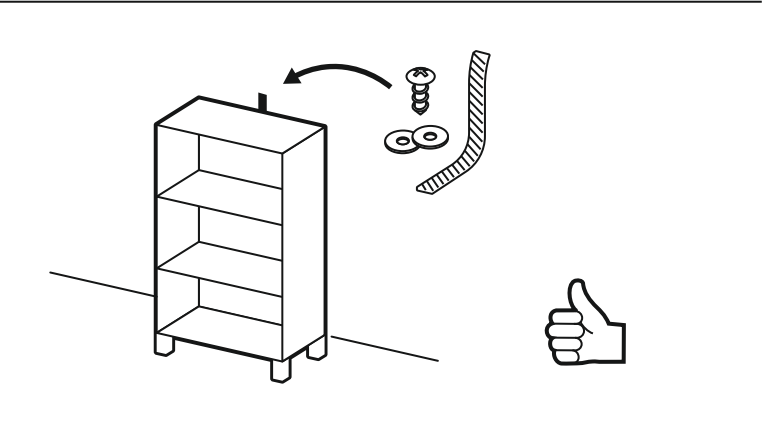
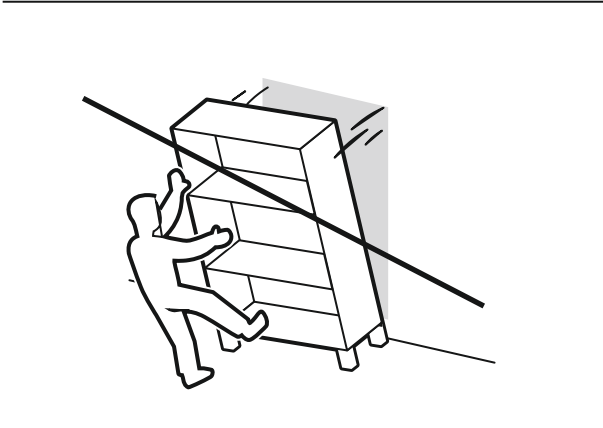
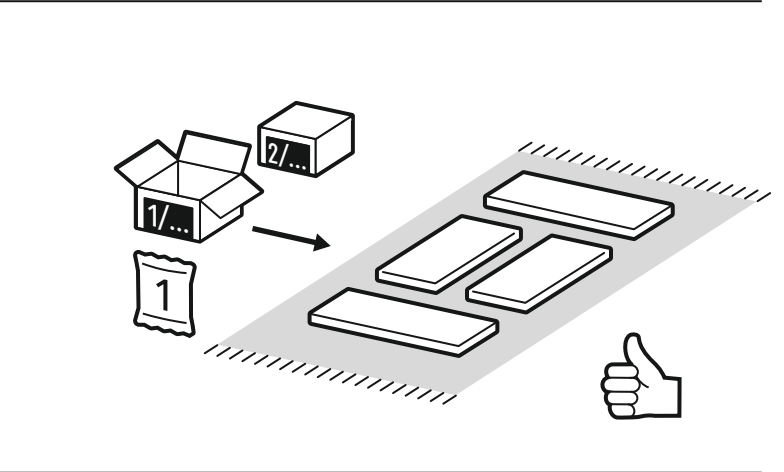
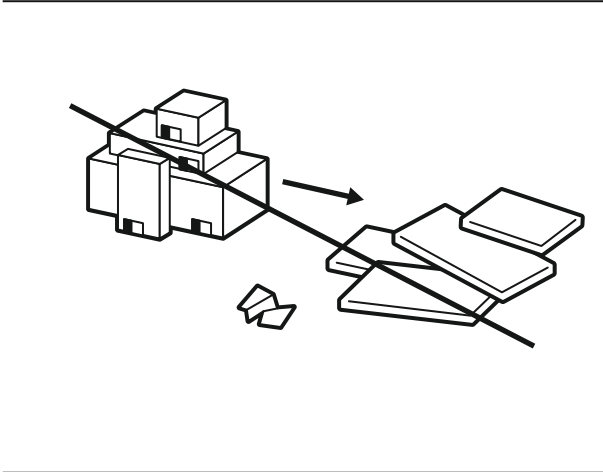
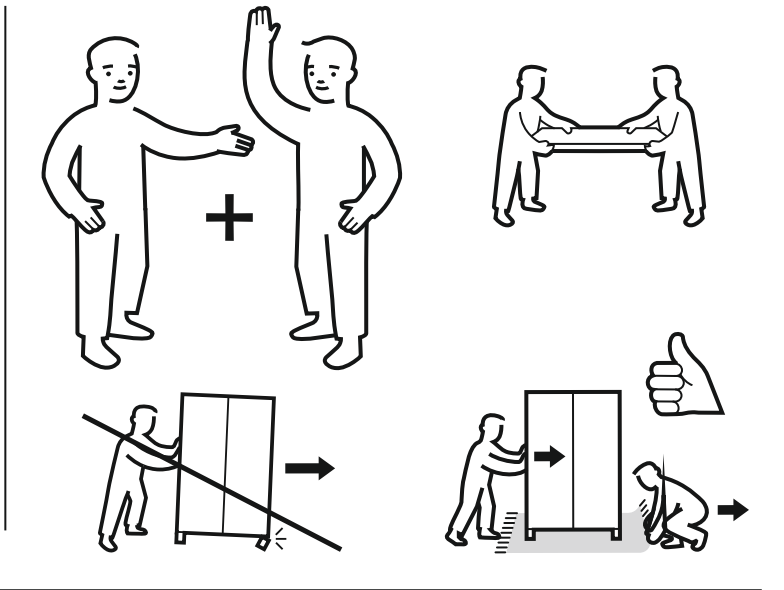
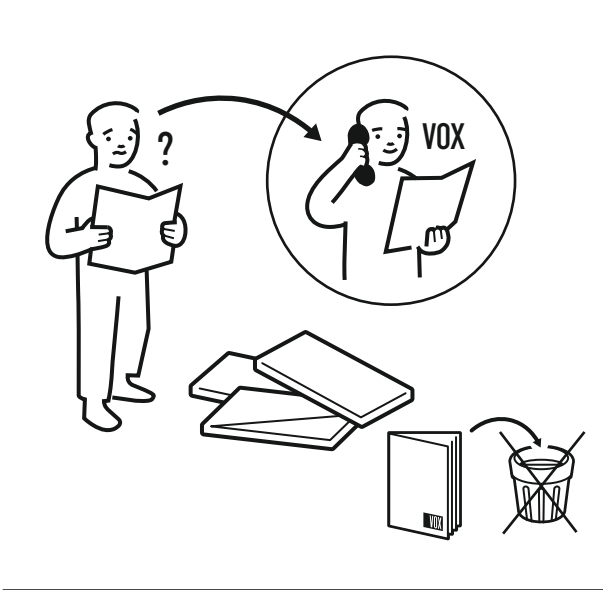
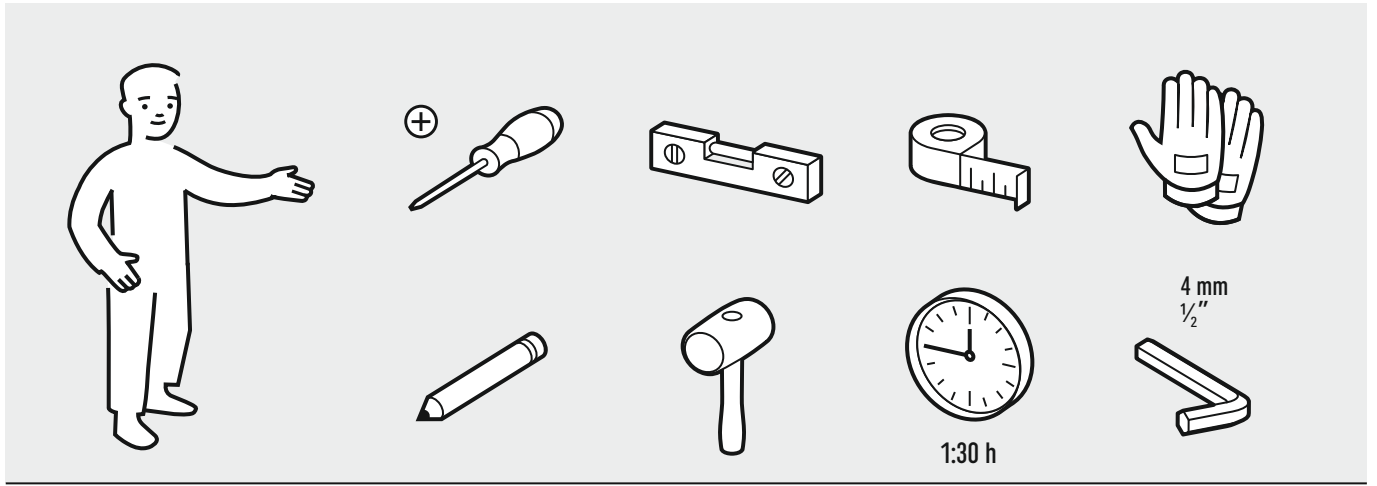
183 x46 x56 cm
72 x18 x22"

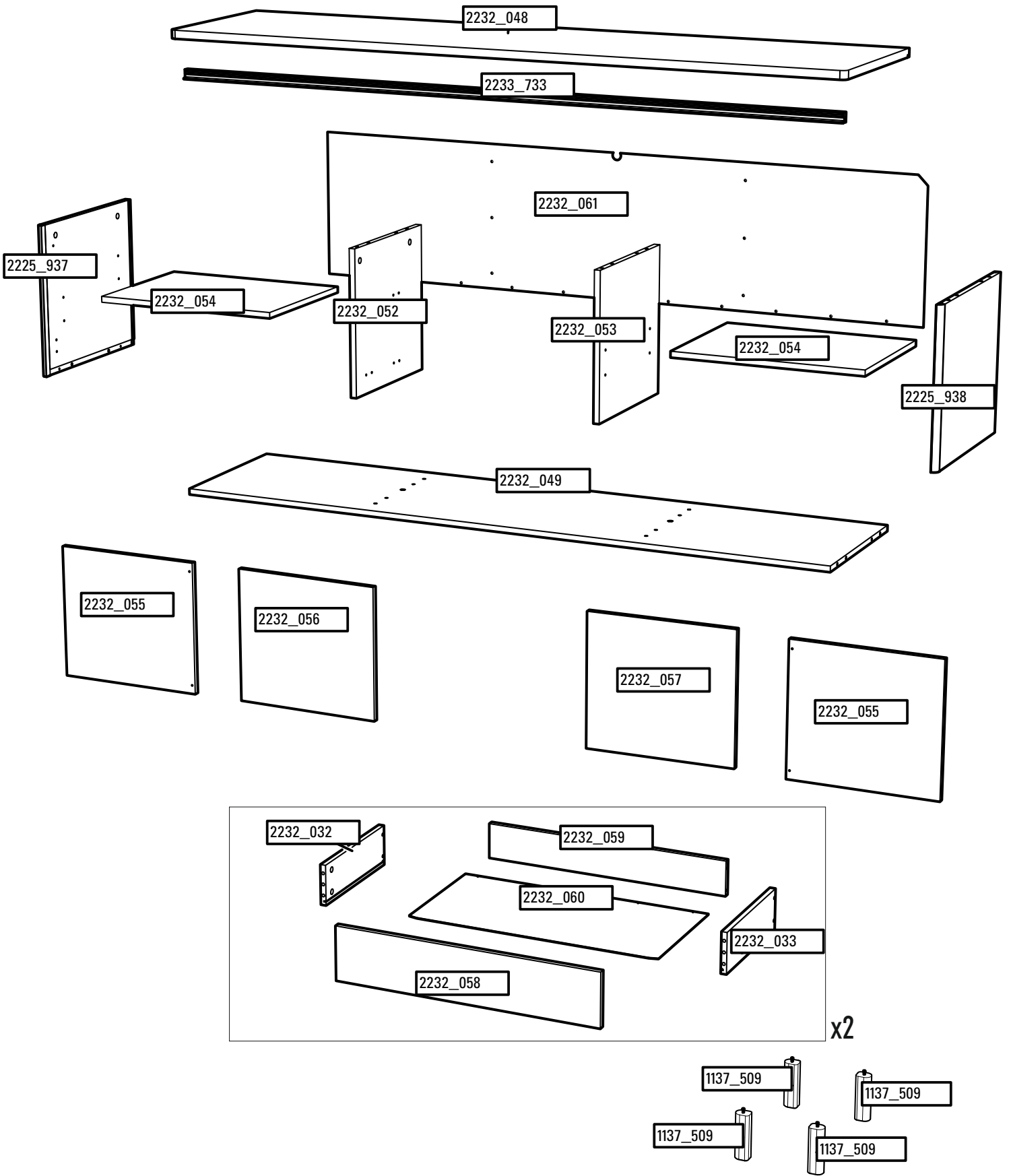


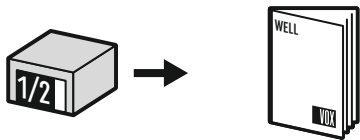
PL • vox.pl


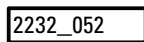
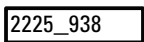
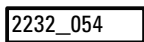
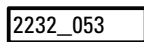
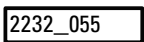
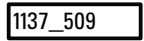
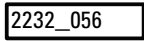
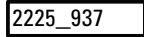
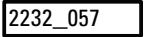
EU • voxfurniture.com

US • voelkelcorp.com


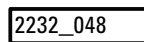
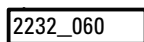
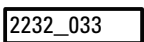
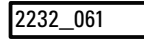
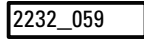
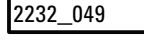
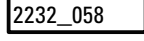
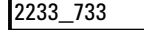
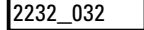


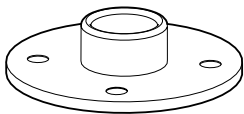
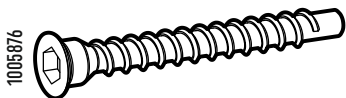



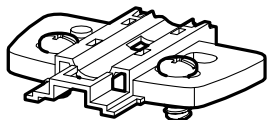
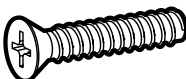

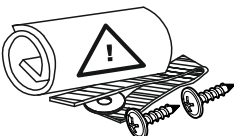
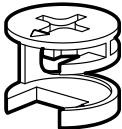

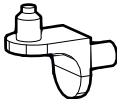

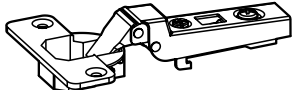
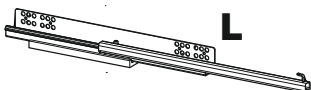
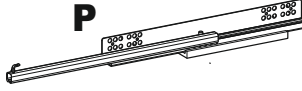
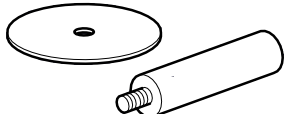


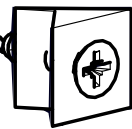


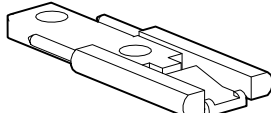
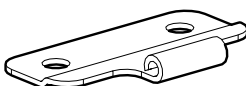



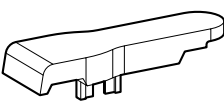
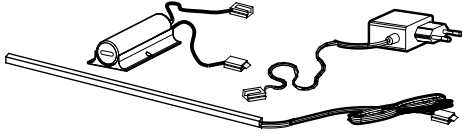
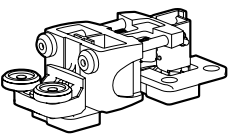
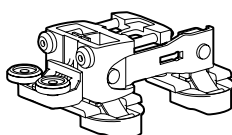


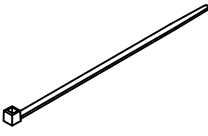


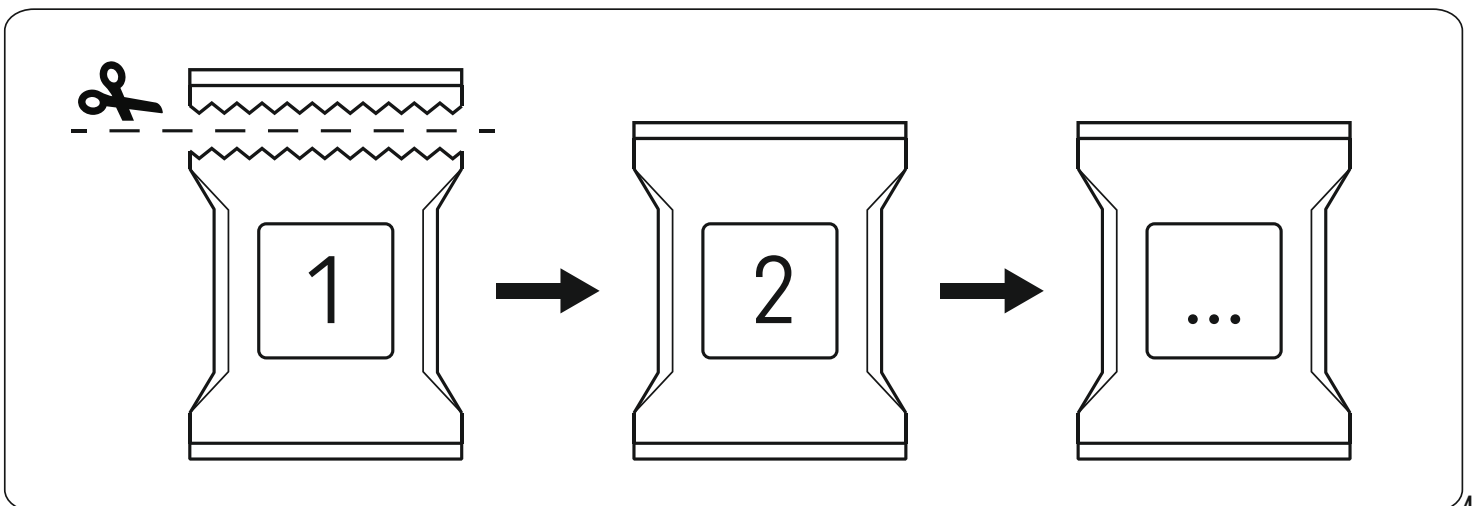
- | | | | |
|---|--|--|--|
|  → |  x1 |  x1 |  x1 |
| |  x1 |  x2 | |
| |  x4 |  x1 | |
| |  x1 |  x1 | |




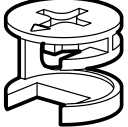
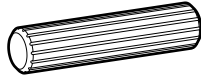
- | | | | |
|---|--|--|--|
|  → |  x1 |  x2 |  x2 |
| |  x1 |  x2 | |
| |  x1 |  x2 | |
| |  x1 |  x2 | |

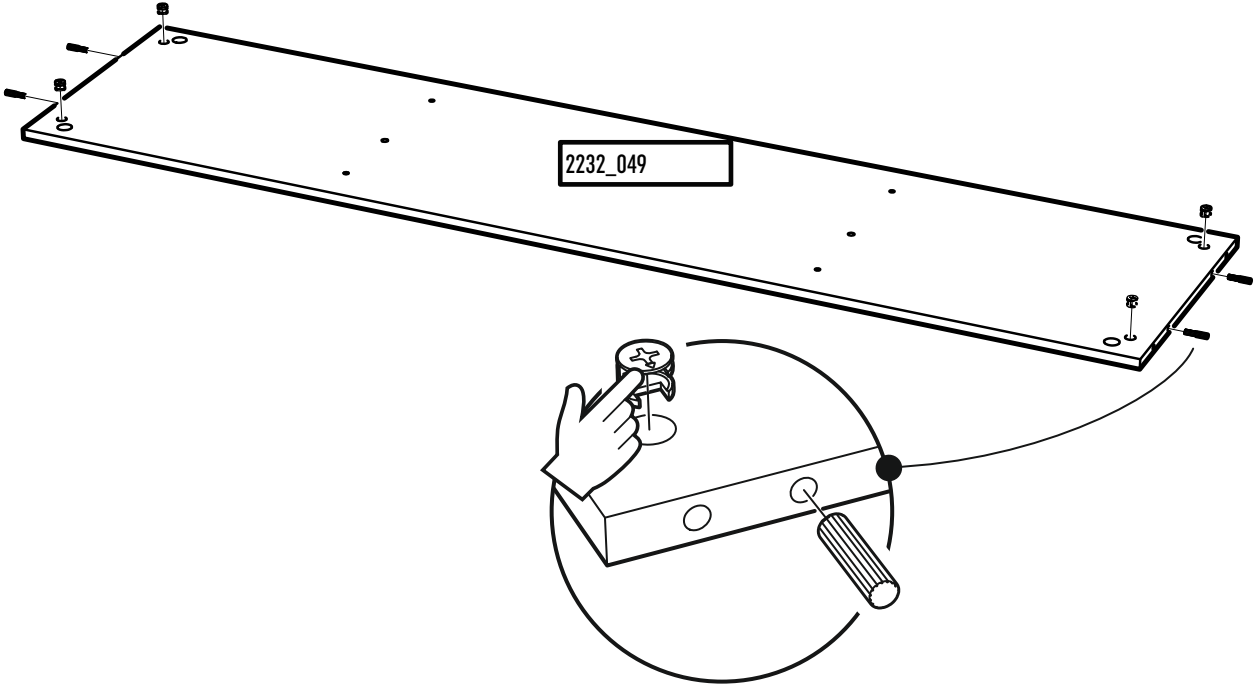
 x 4	 x 12	 x 20	 x 4
 x 56	 x 2	 x 4	 x 20
 x 1	 x 20	 x 31	 x 8
 x 2	 x 4	 x 2	 x 2
 x 2	 x 16	 x 1	 x 8
 x 2	 x 1	 x 4	 x 4

<p>1114025</p>  <p>x1</p>	<p>1123187</p>  <p>x2</p>	<p>1137497</p>  <p>x1</p>
<p>1123181</p>  <p>x1</p>	<p>1123182</p>  <p>x1</p>	<p>1137521</p>  <p>x2</p>
<p>1008287</p>  <p>x1</p>	<p>1008286</p>  <p>x1</p>	


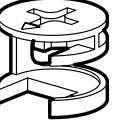
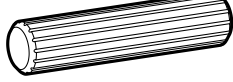
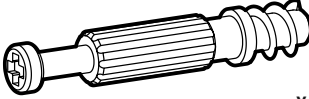
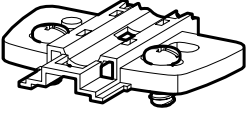


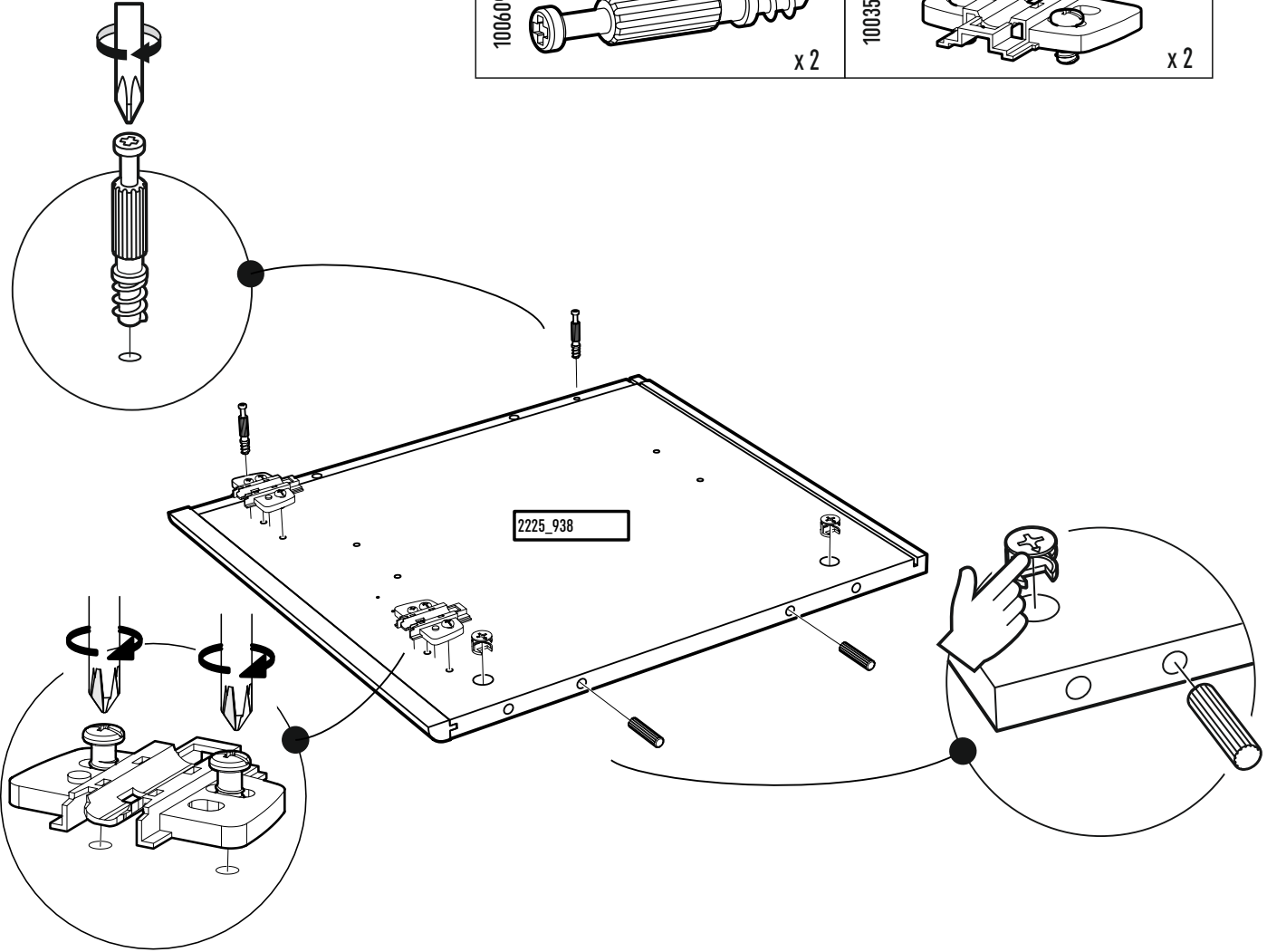
1

 1	1005990		x 4	1005857		x 4
---	---------	--	-----	---------	--	-----

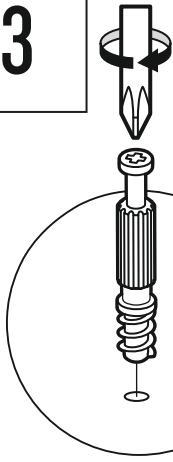


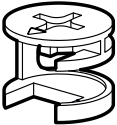
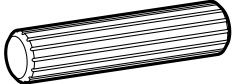
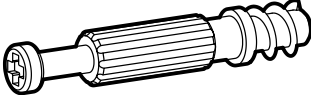
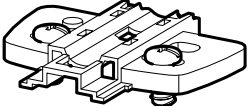
2

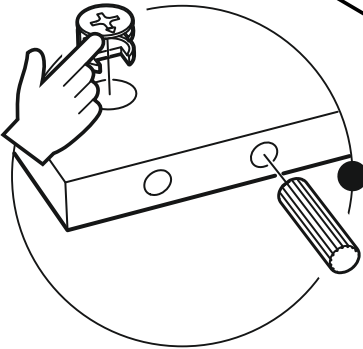
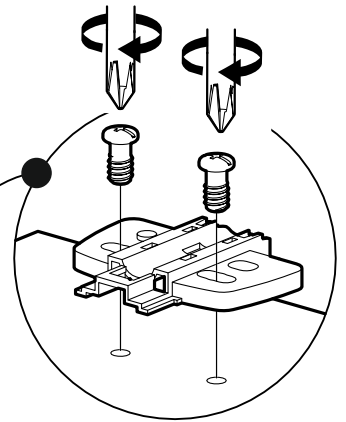
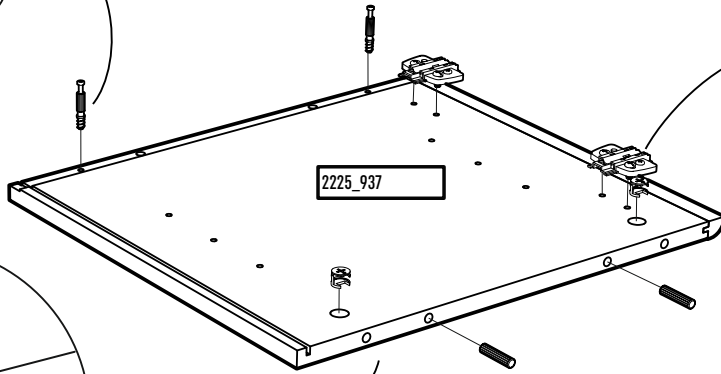
 1	1005990		x 2	1005857		x 2
	1006091		x 2	1003526		x 2




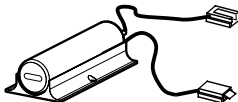

3

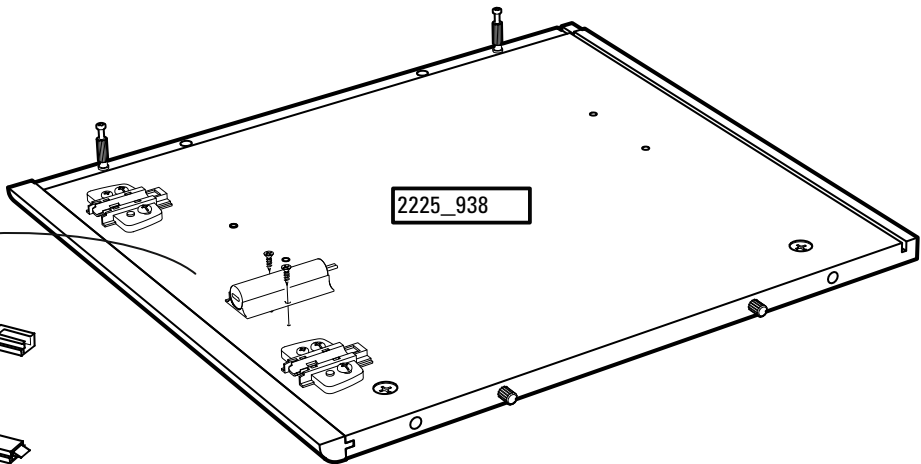
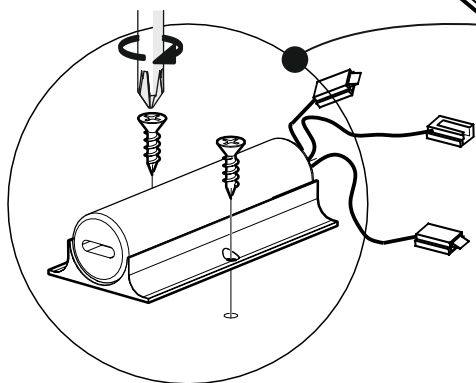


1	1005990	 x 2  x 2
	1006091	 x 2  x 2

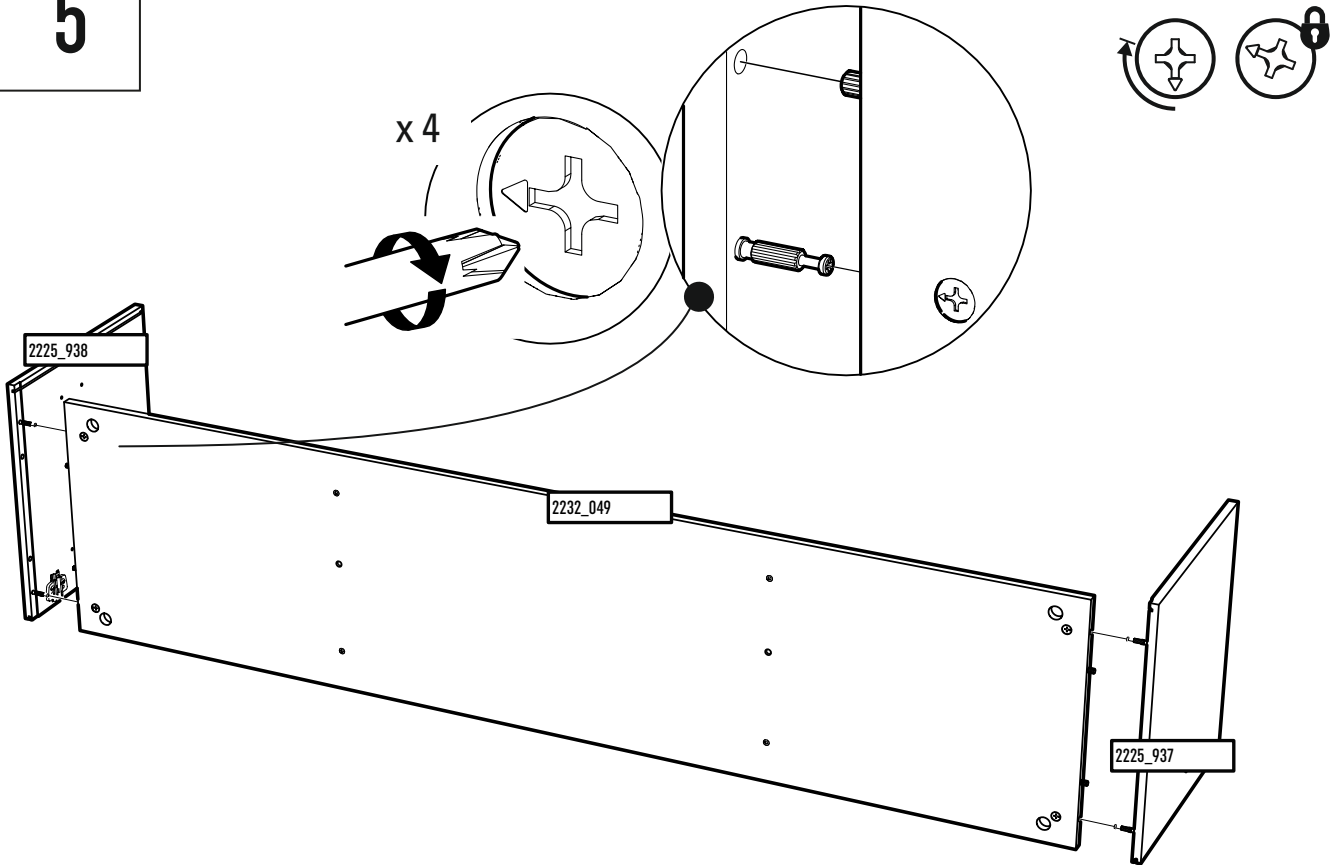


4

1	1005417	 x 2
1113849	 x 1 	

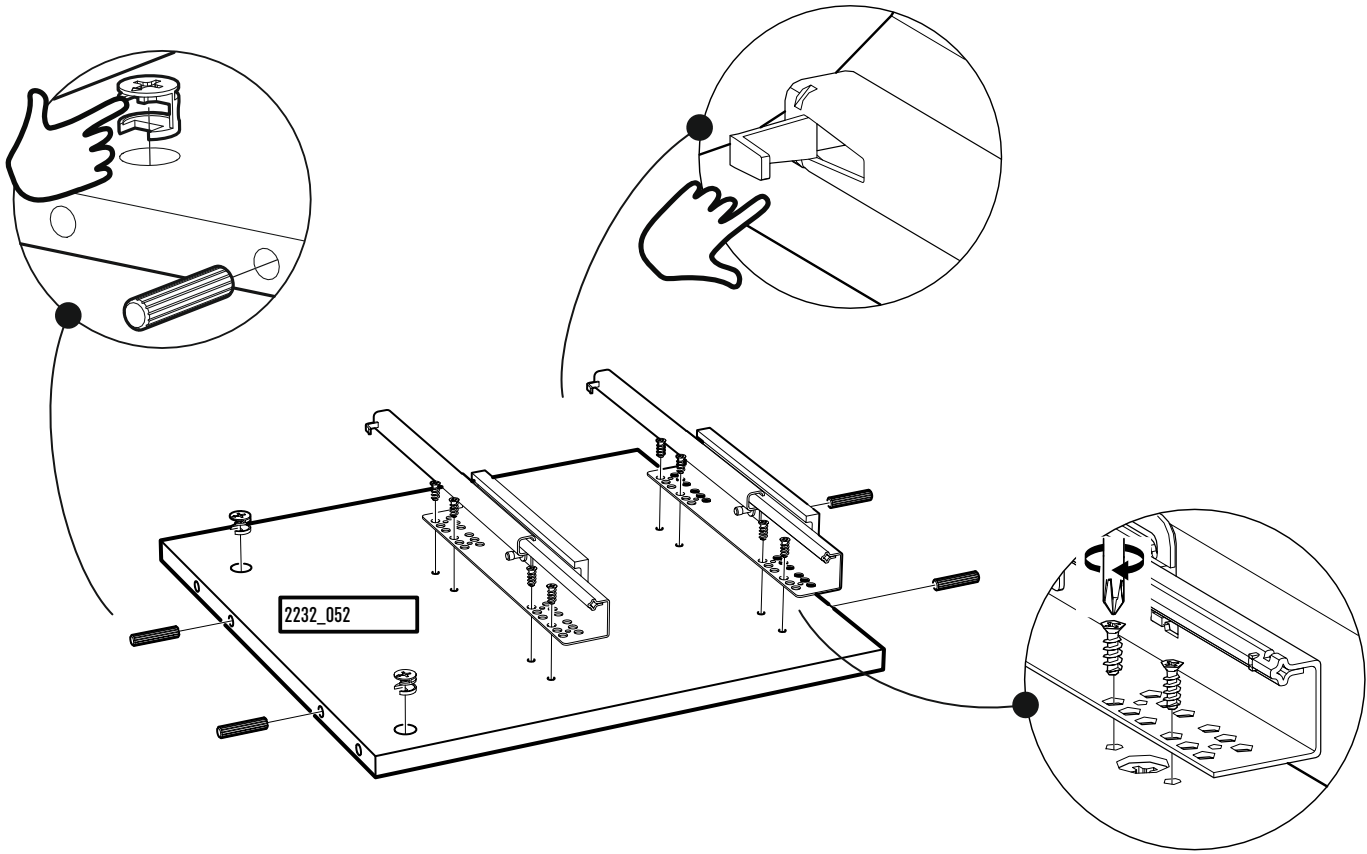


5


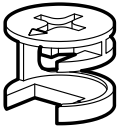
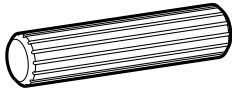

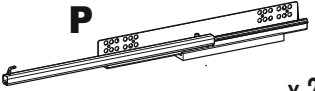


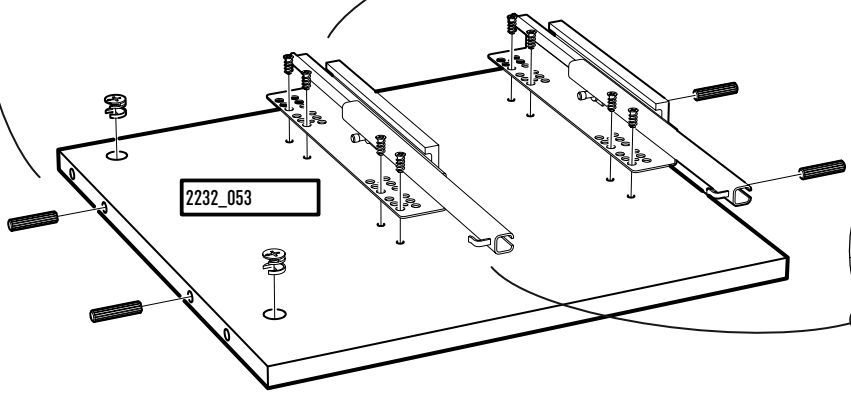
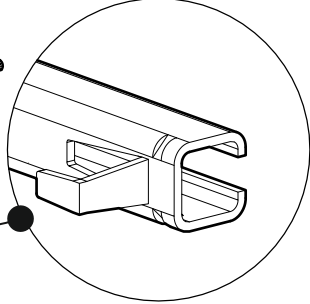
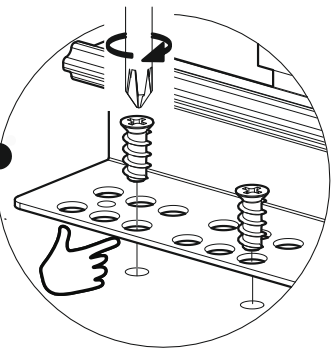
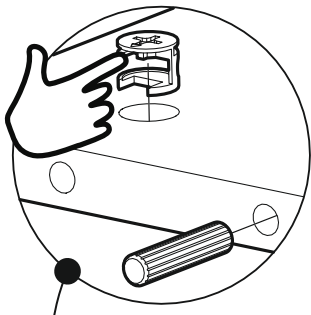
6

	1005990		x 2		x 4
1005713		x 8	1000994		x 2


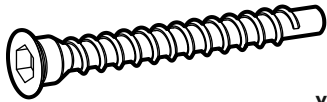


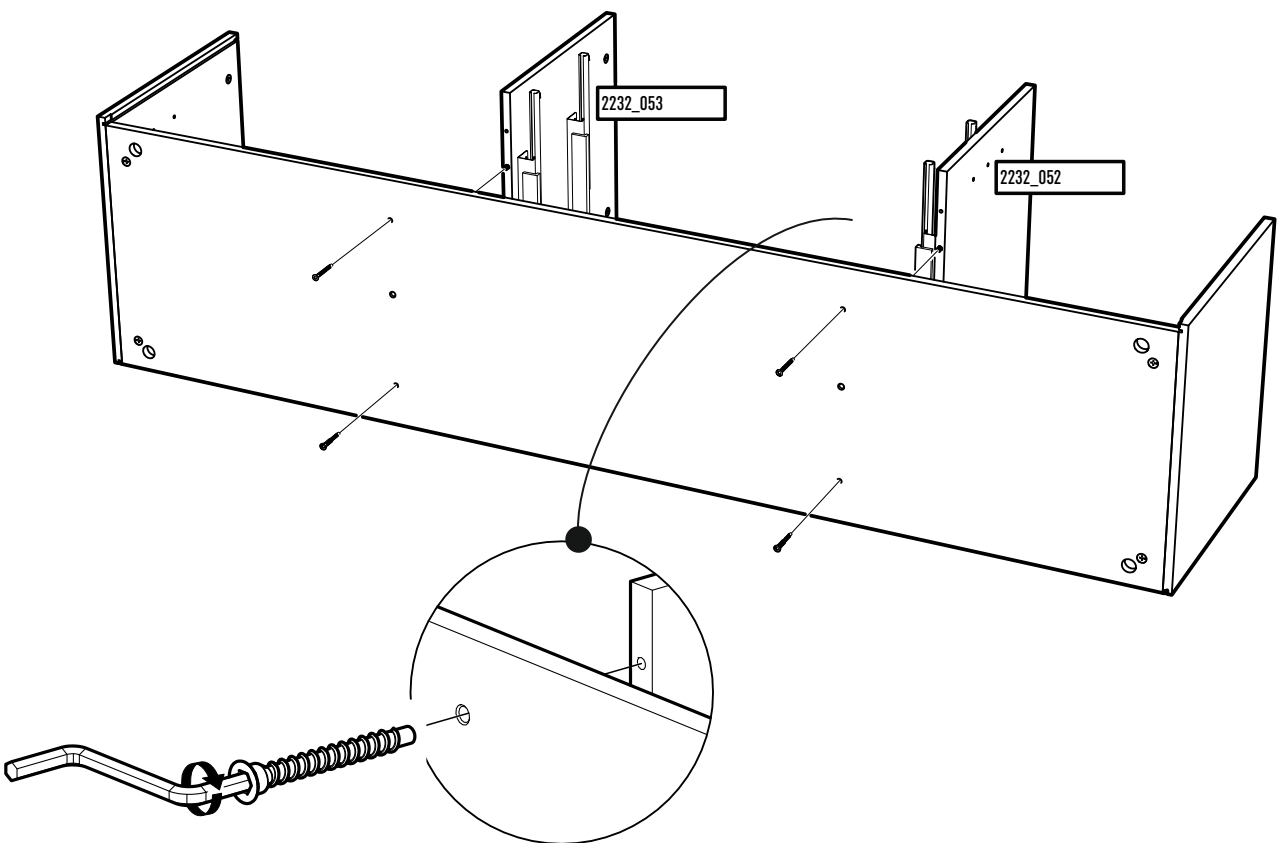
7

 <p>2</p>	1005990		x 2	1005857		x 4
	1005713		x 8	1000994		x 2

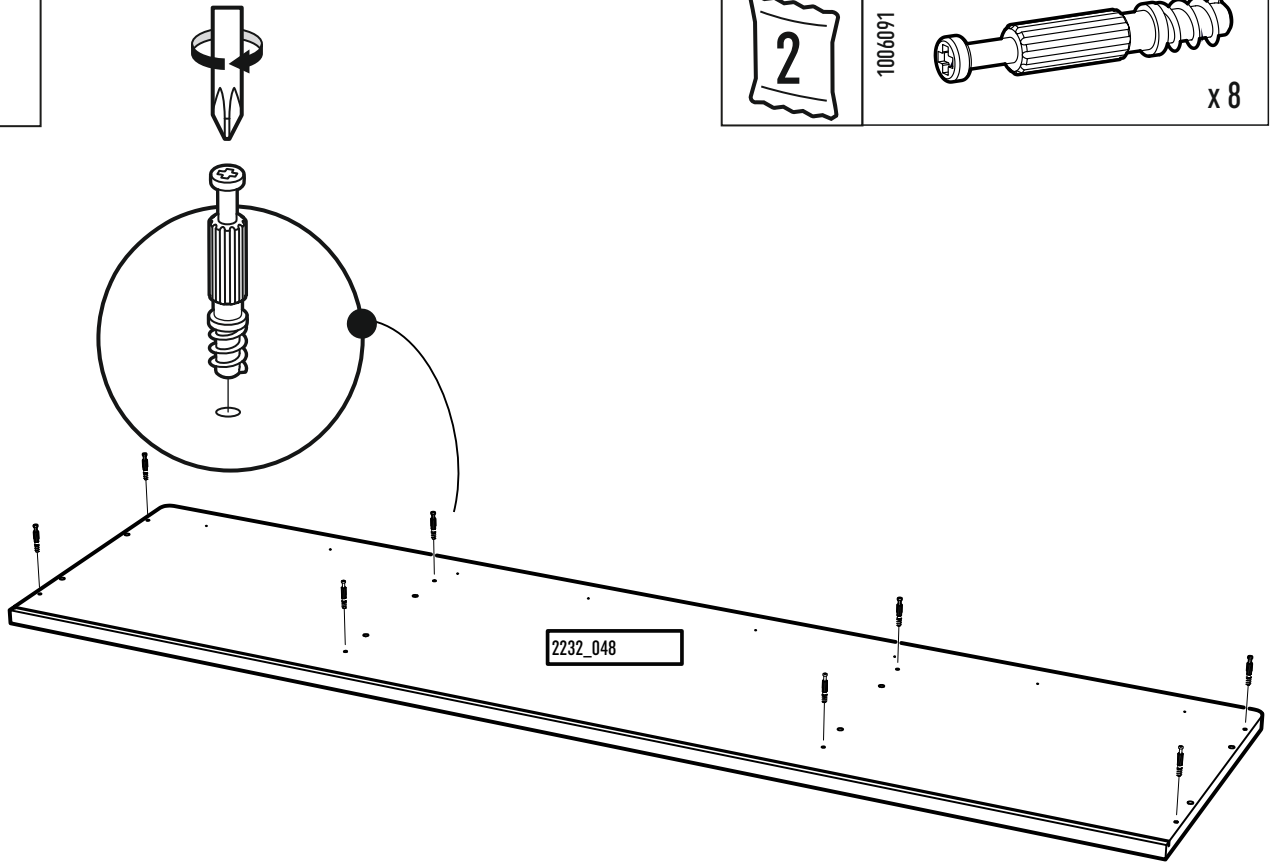


8

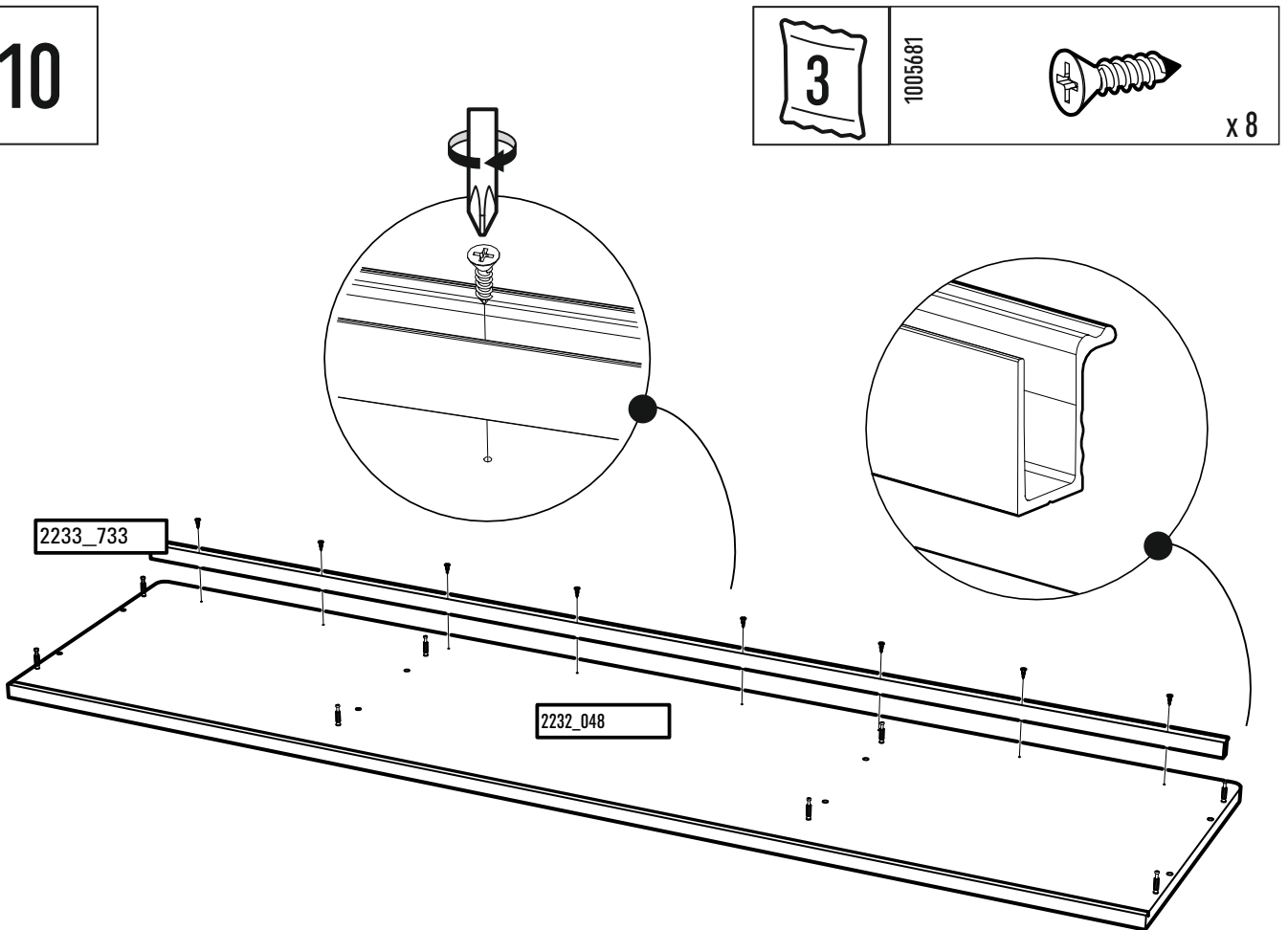
 <p>2</p>	1005876		x 4
---	---------	---	-----



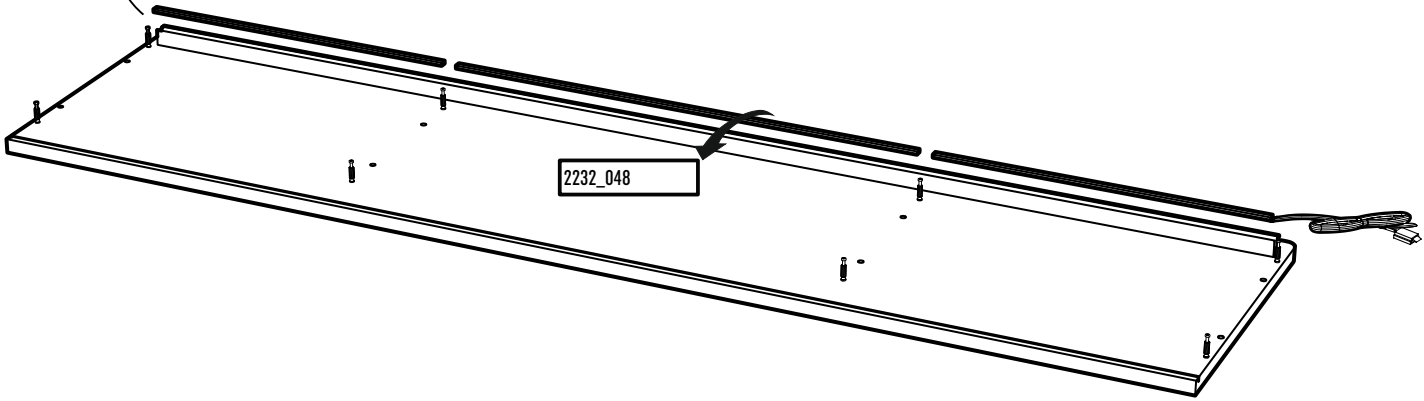
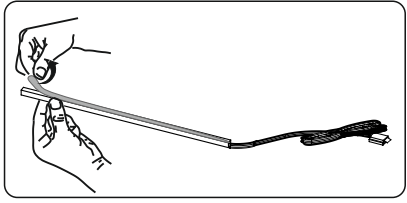
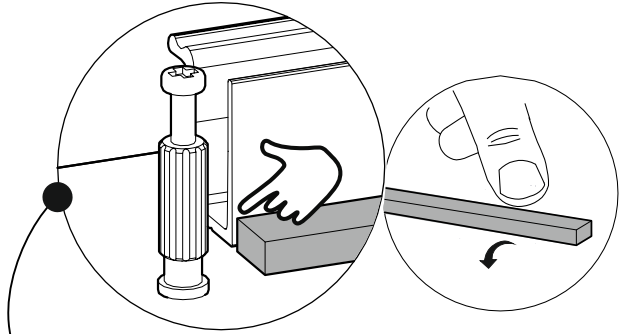
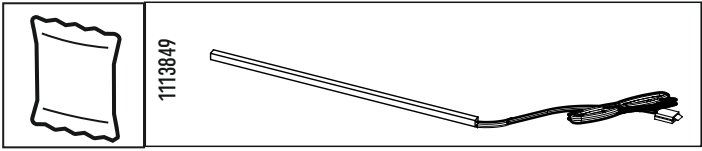
9



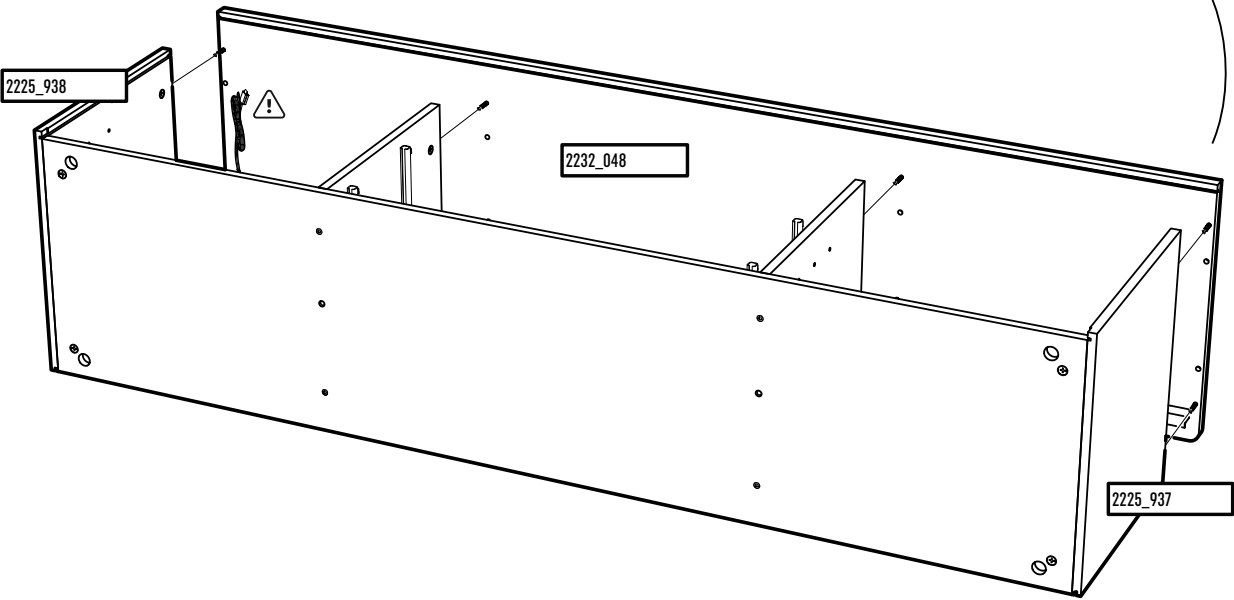
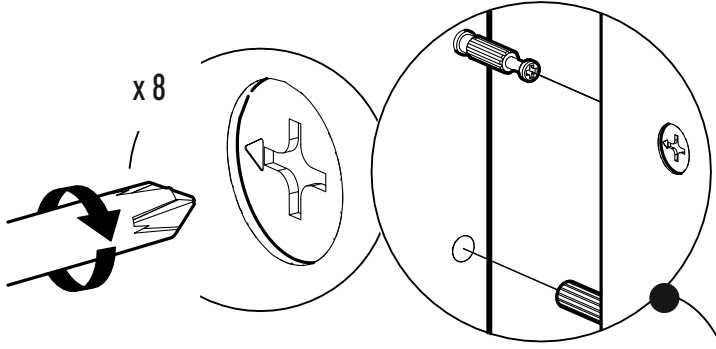
10



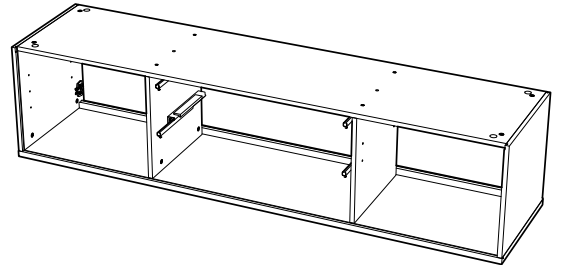
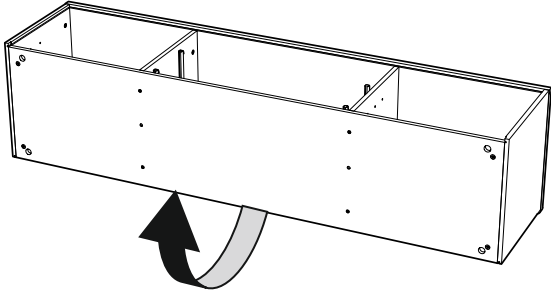
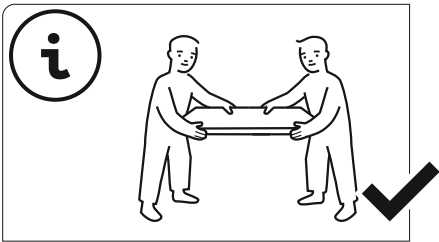
11



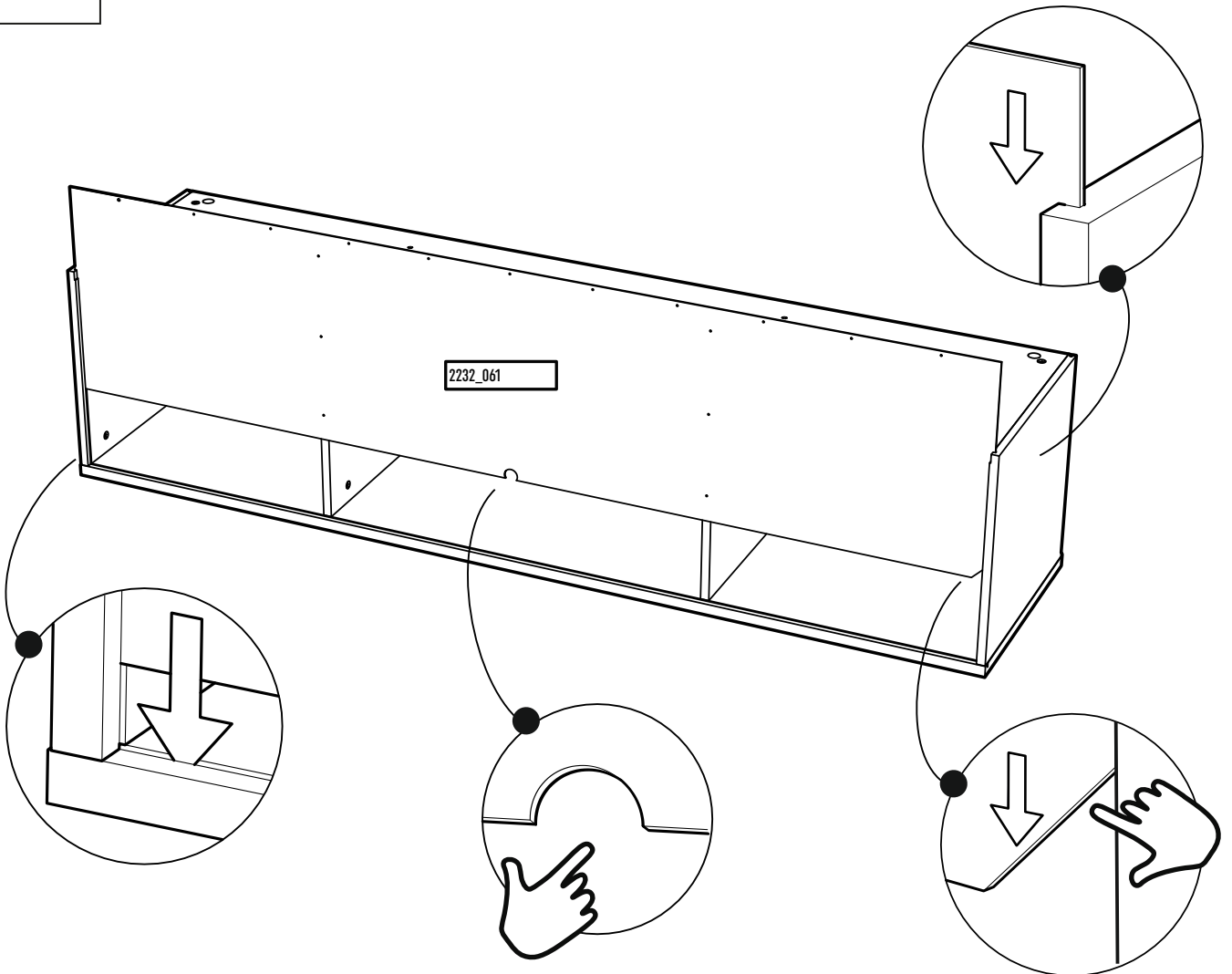
12




13

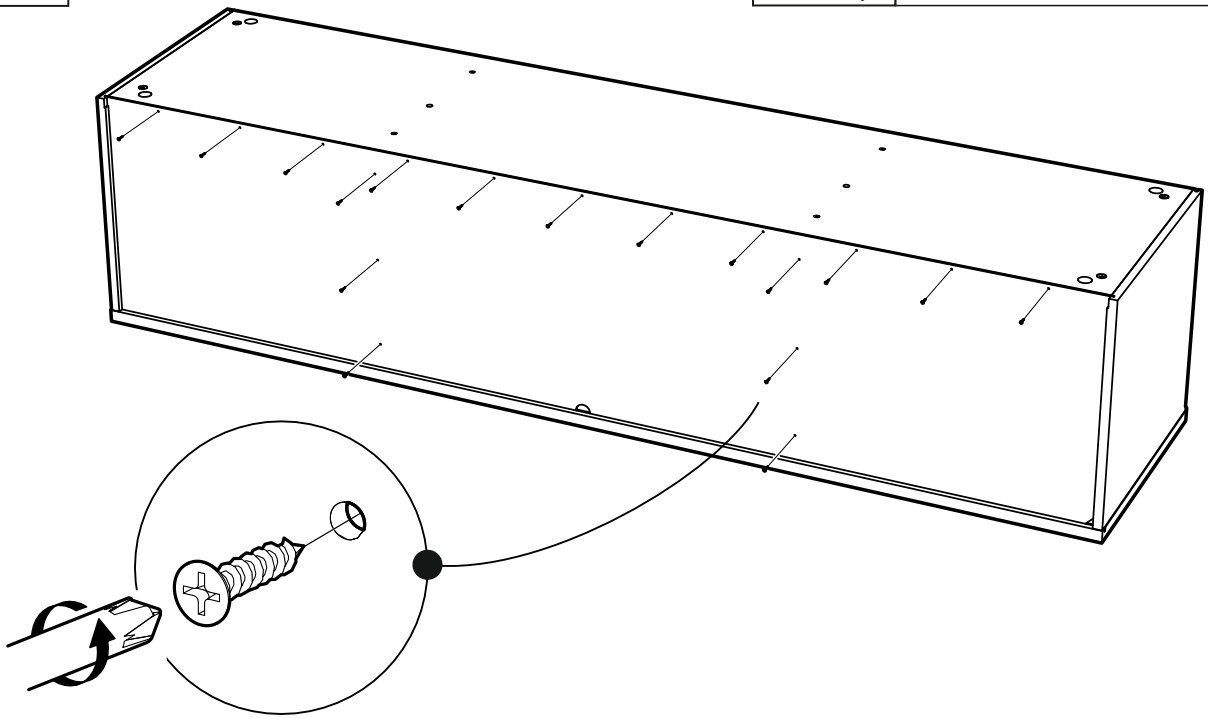


14


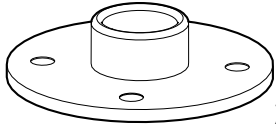


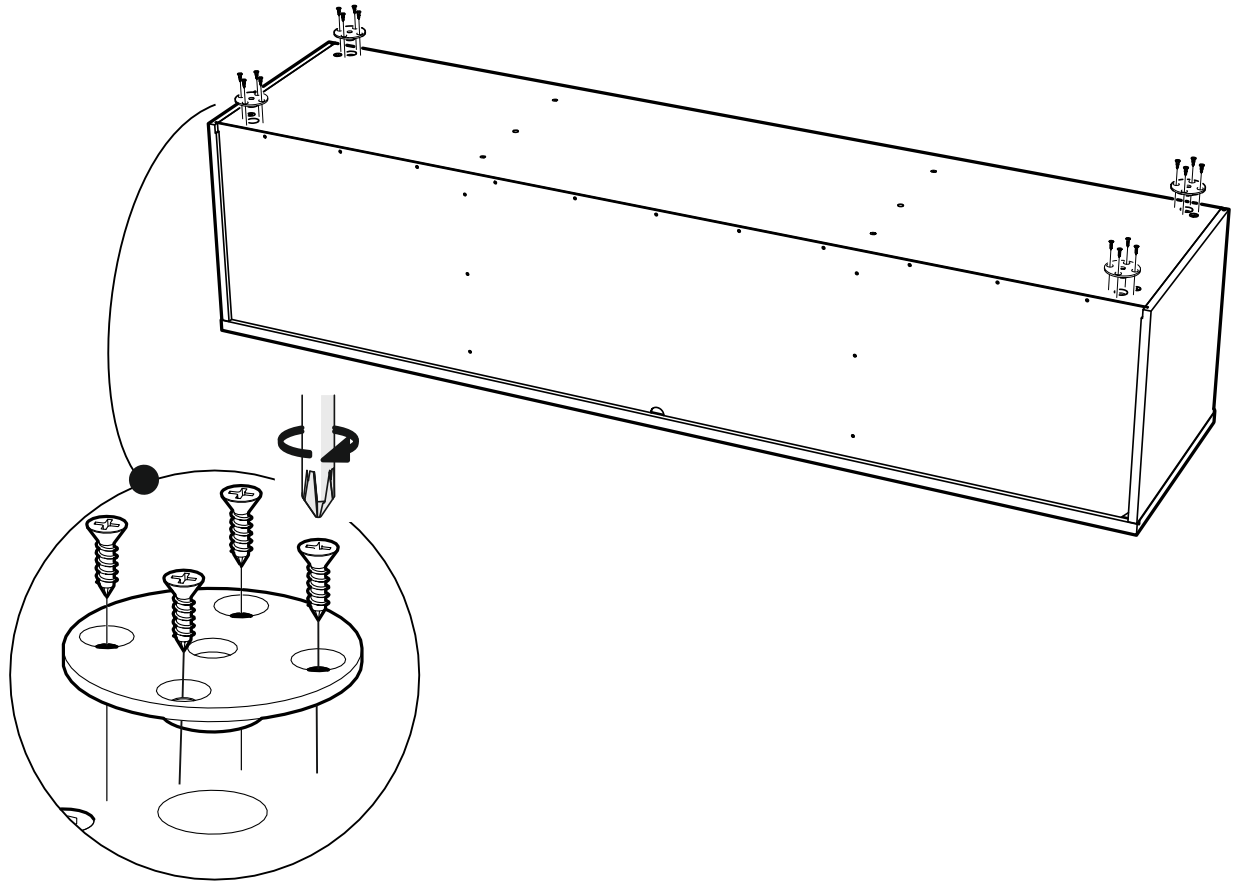
15

4	1006012		x 17
---	---------	---	------

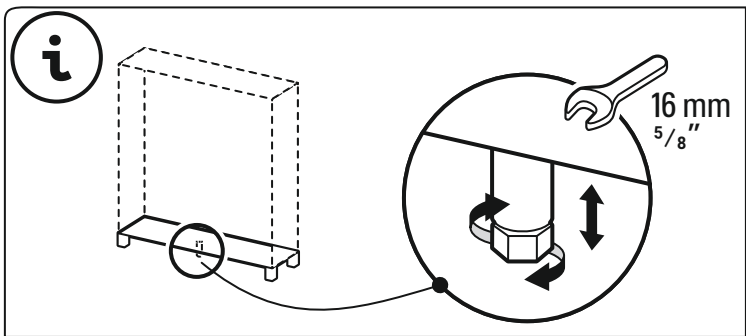
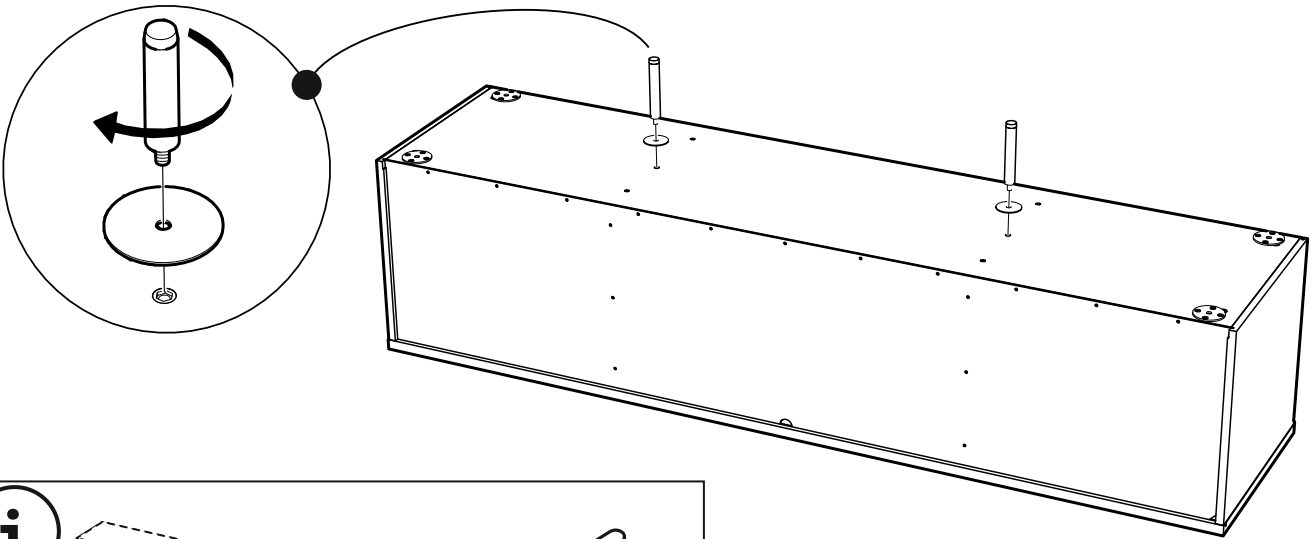
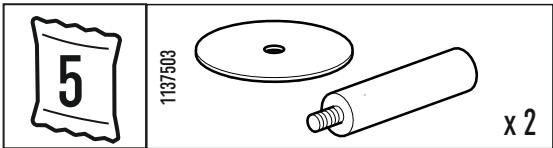


16

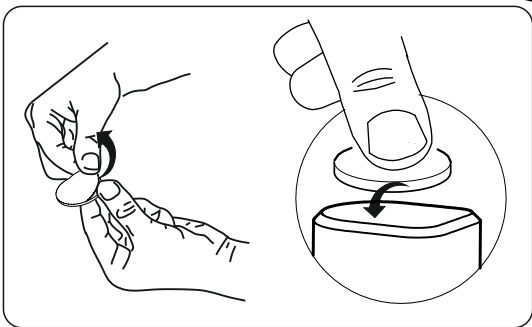
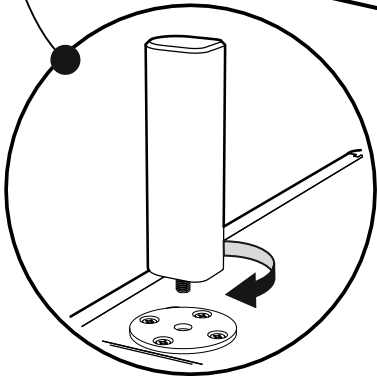
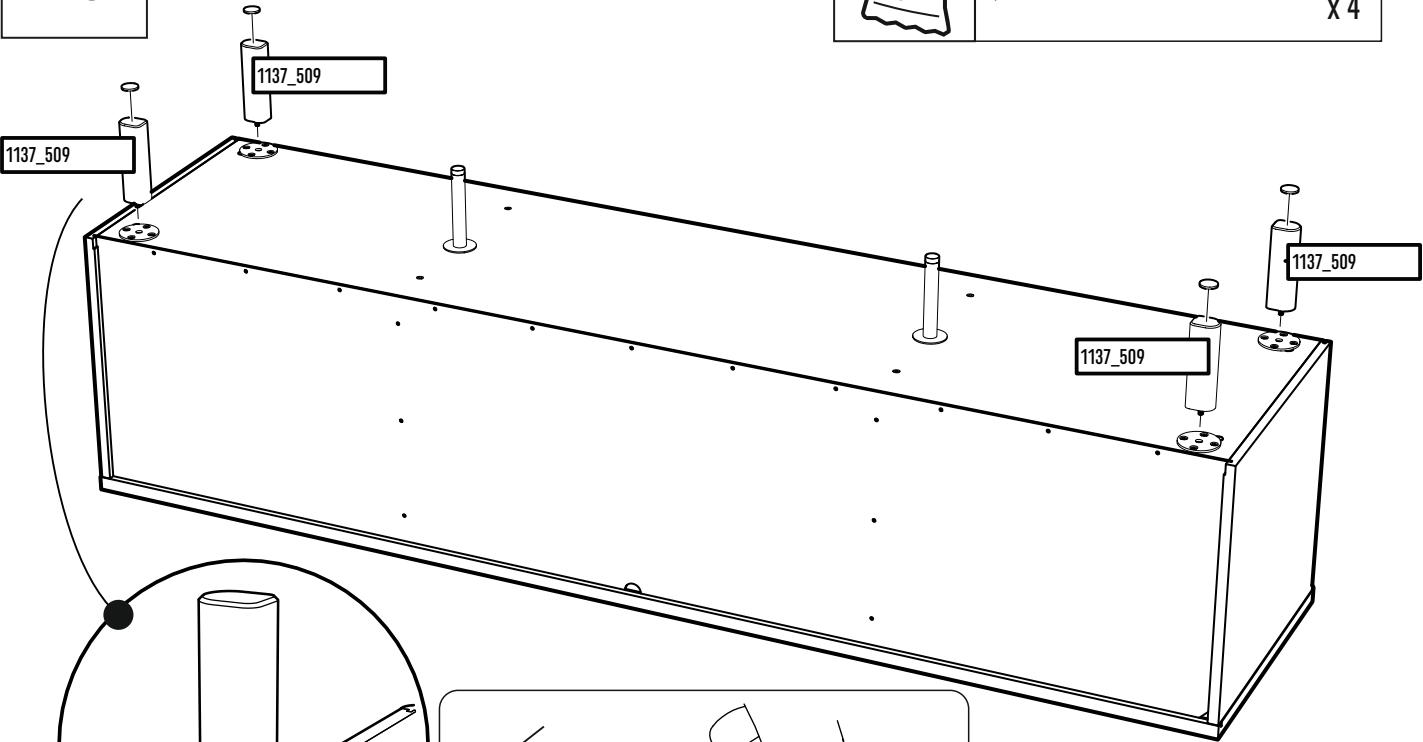
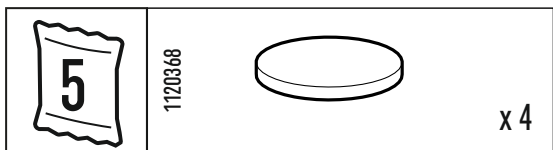
5	1005681		x 16	1101311		x 4
---	---------	---	------	---------	---	-----



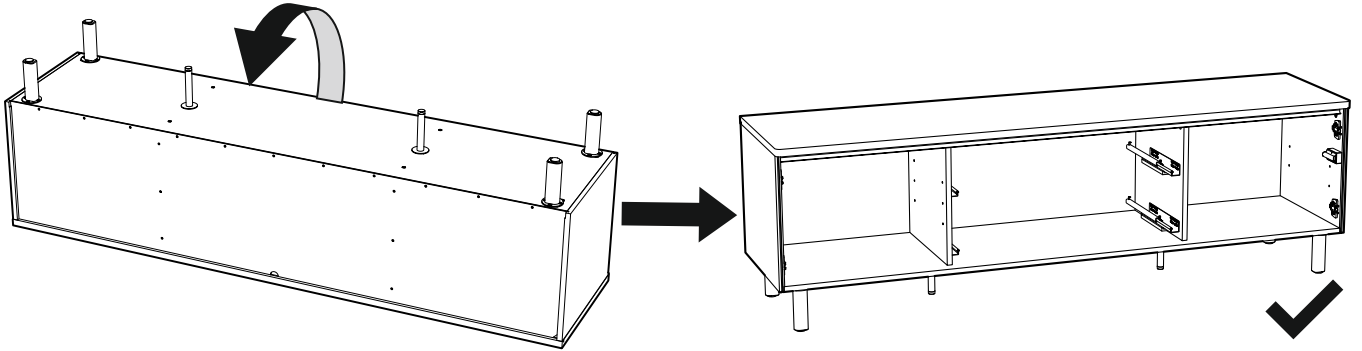
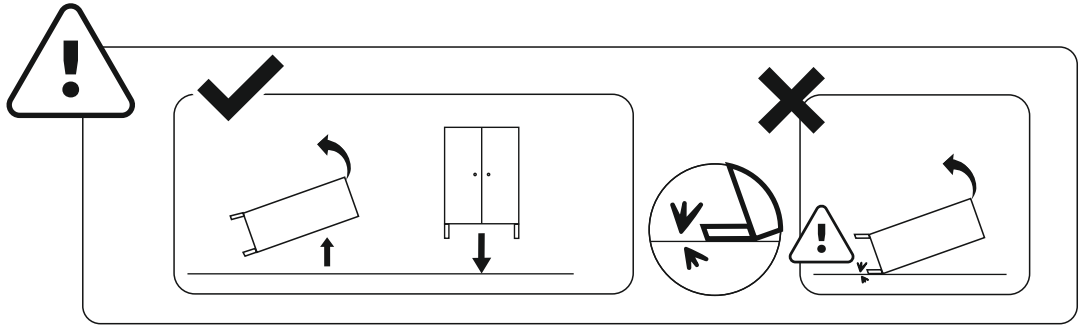
17



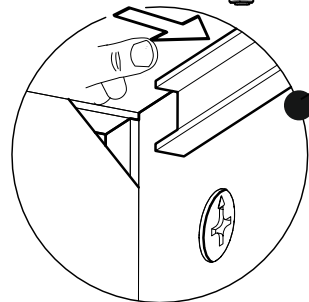
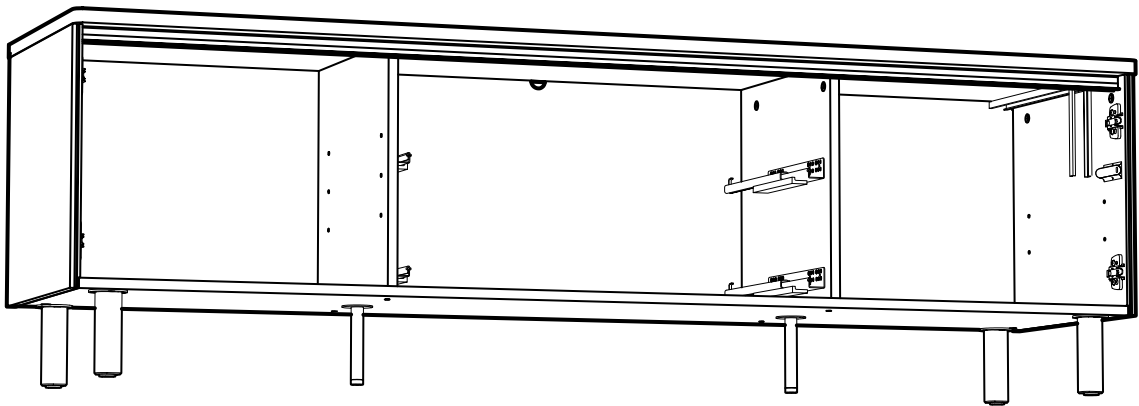
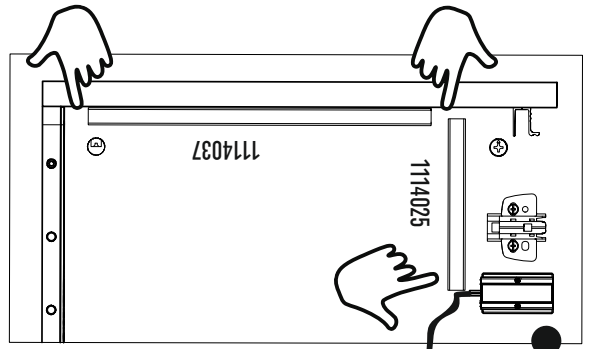
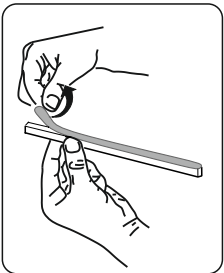
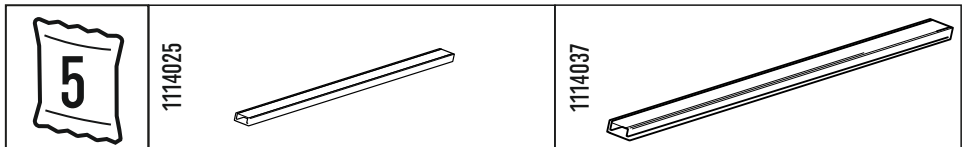
18



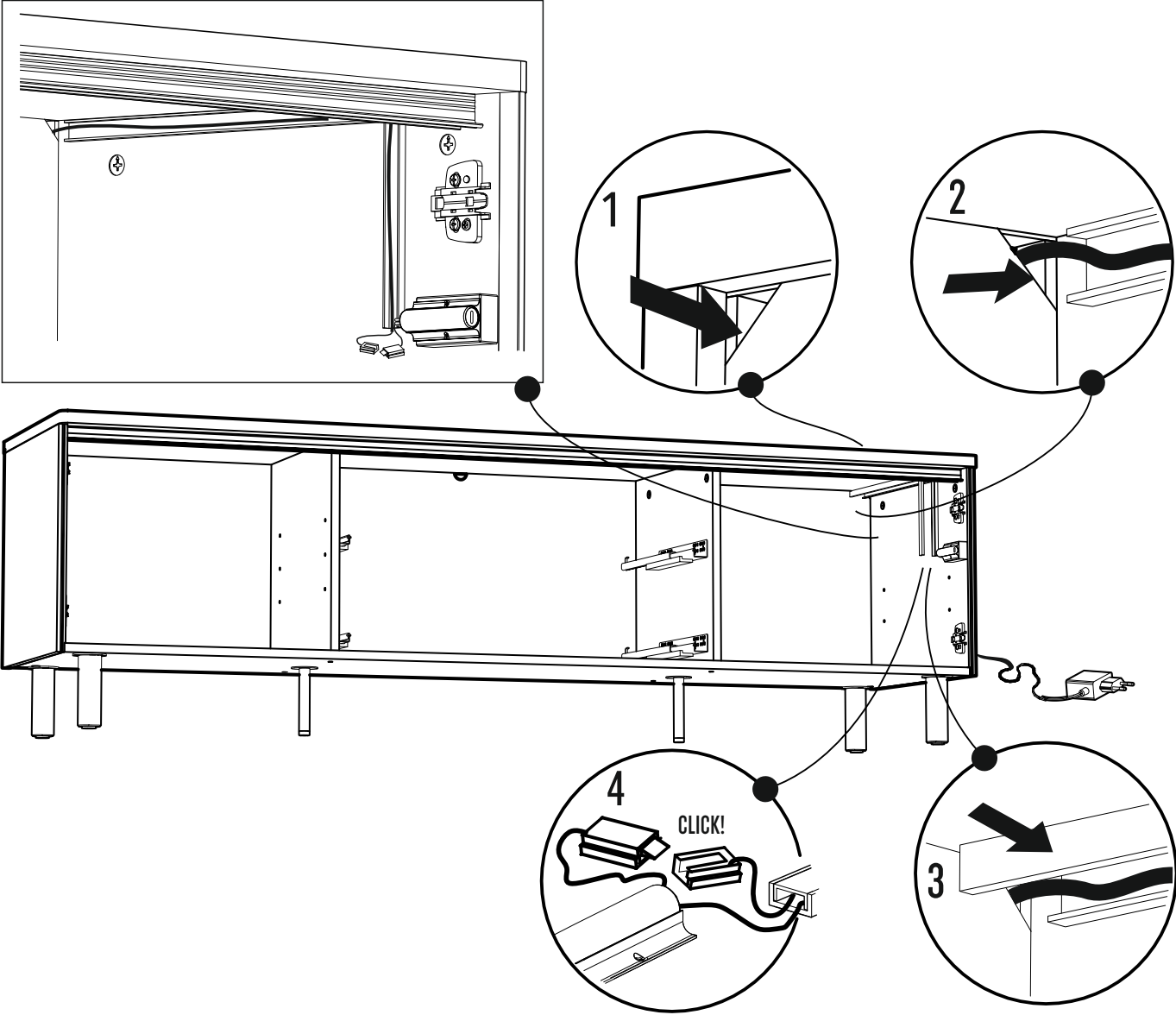
19



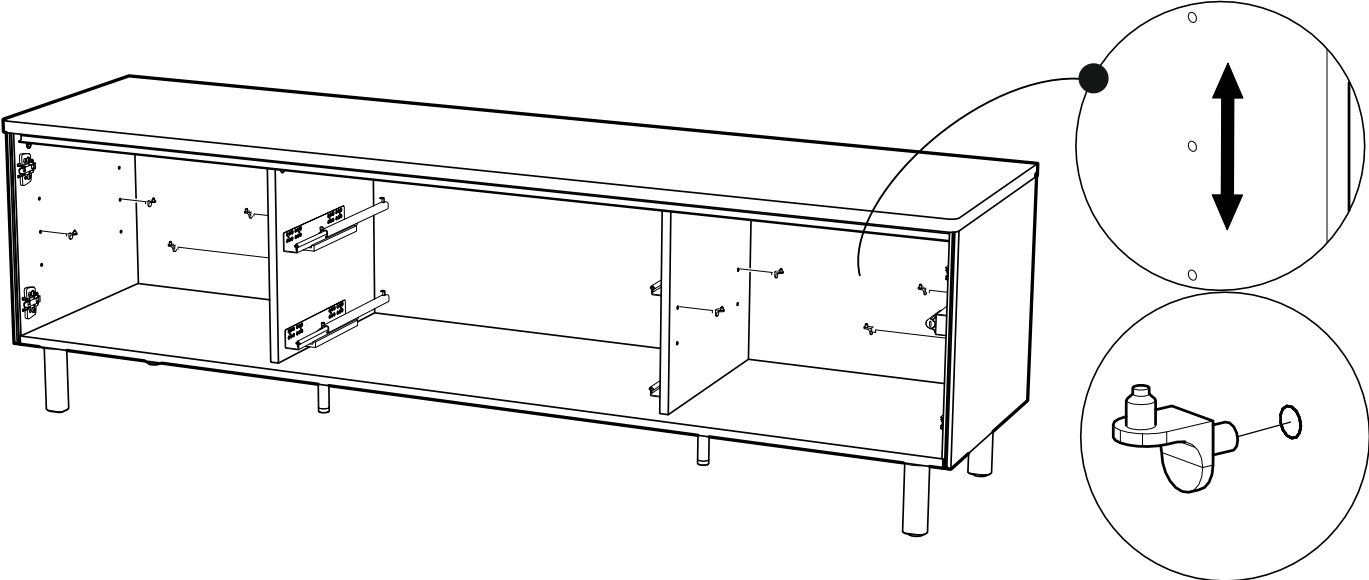
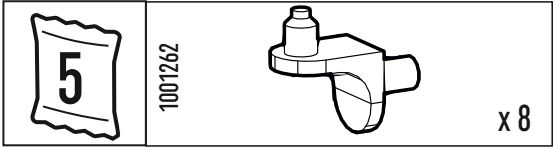
20



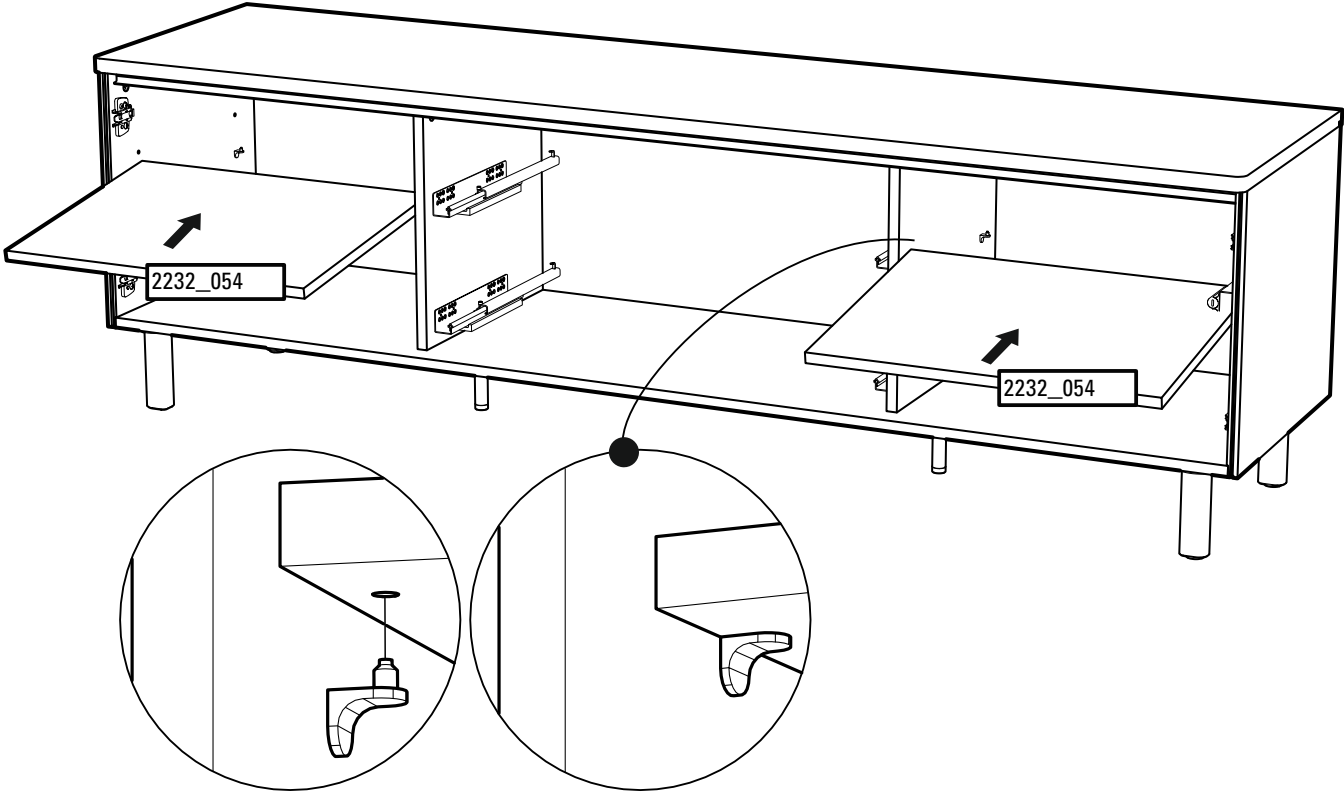
21



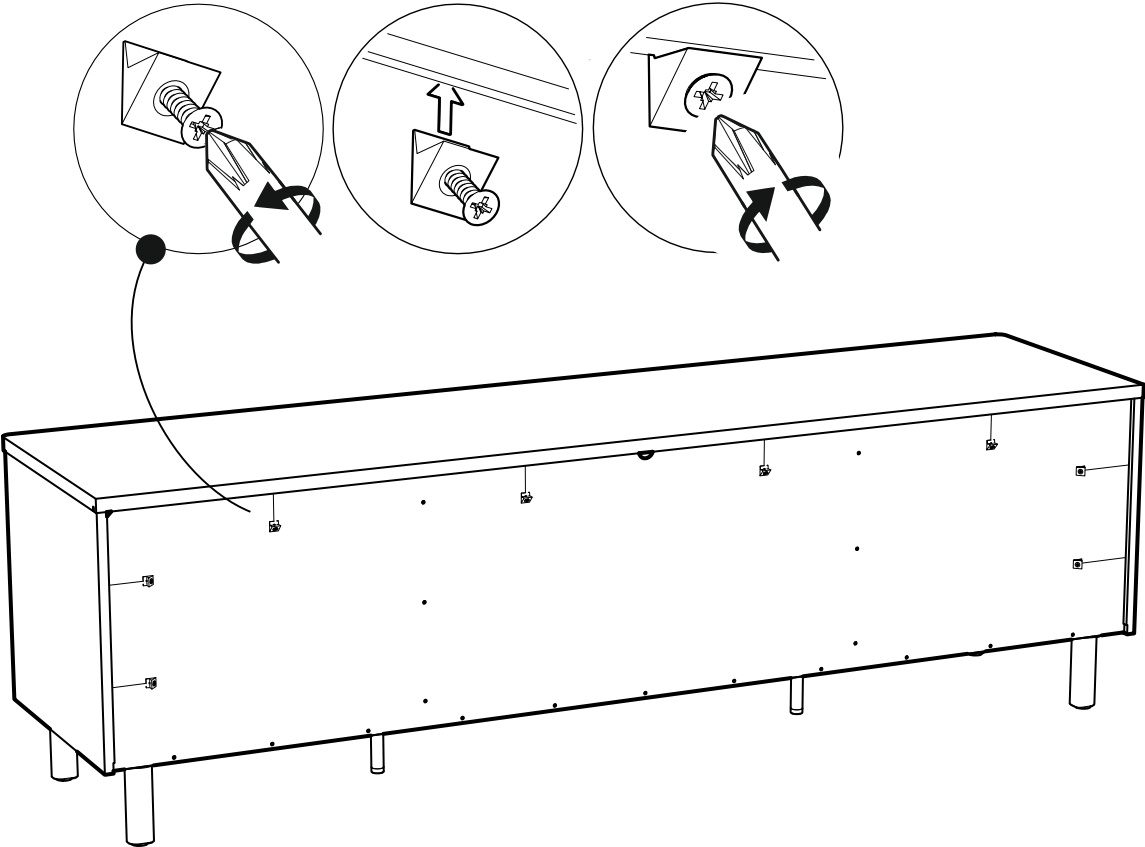
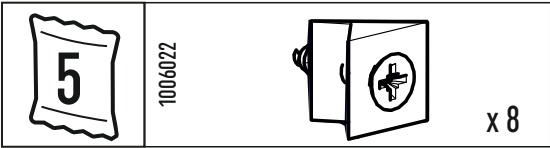
22





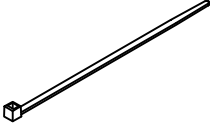
23

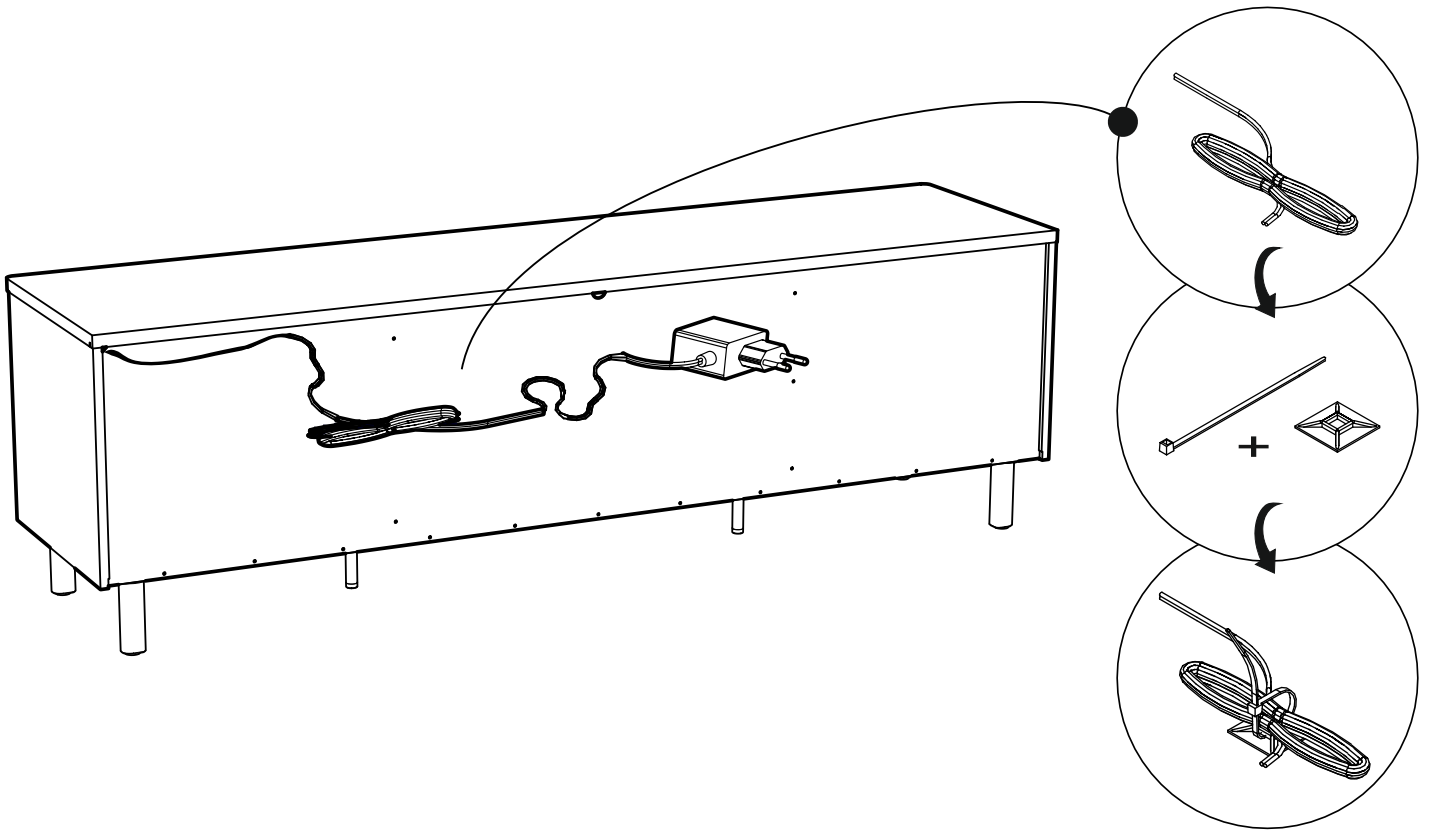


24

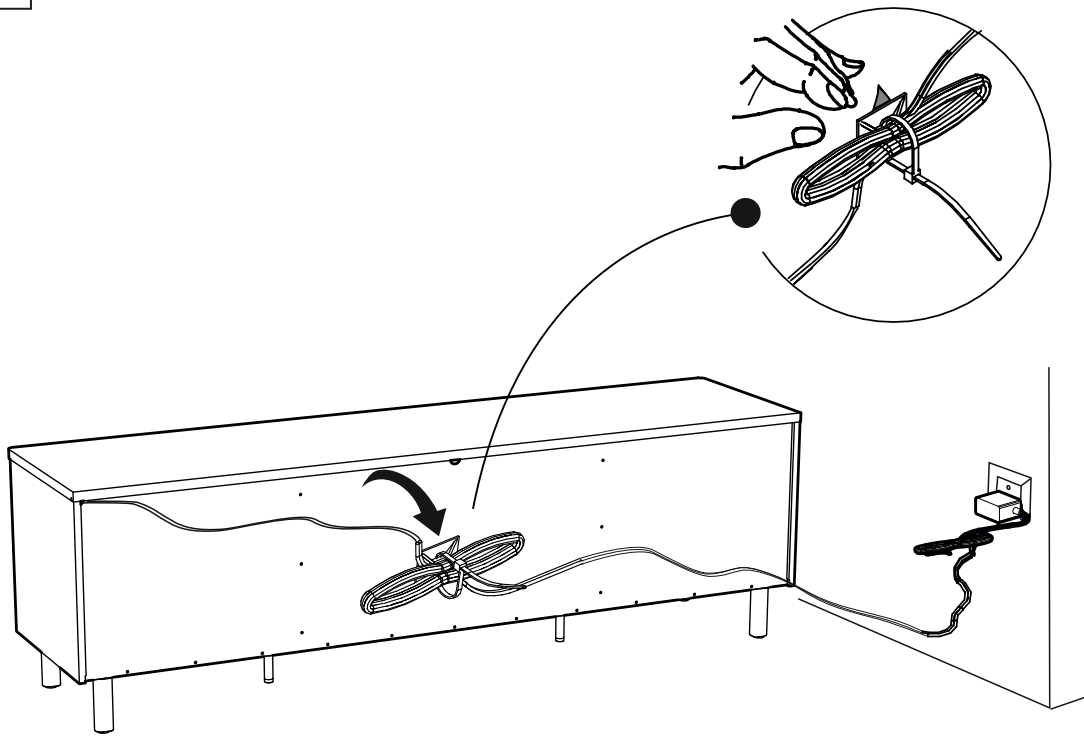


25

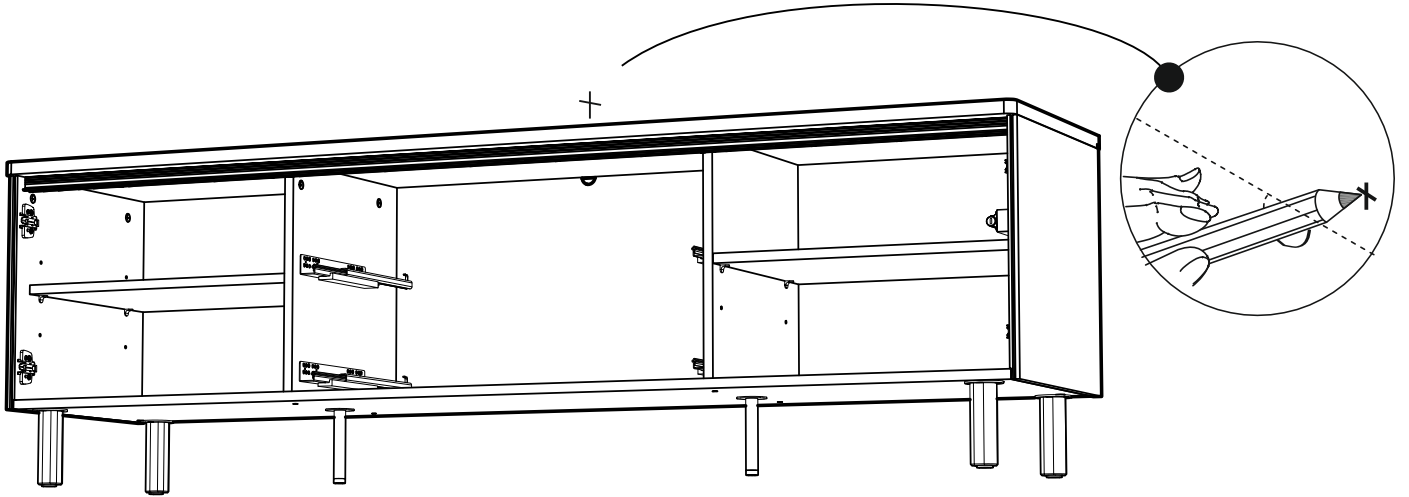
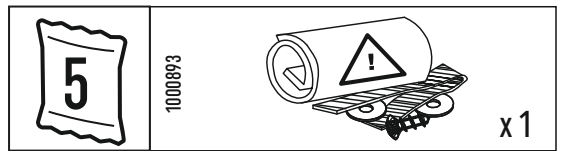
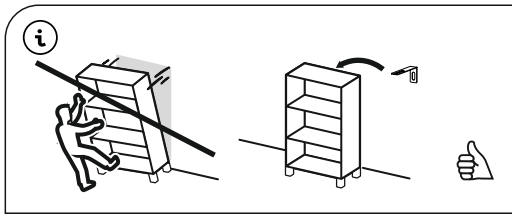
 5	1008287	 x1	1008286	 x1
---	---------	---	---------	--



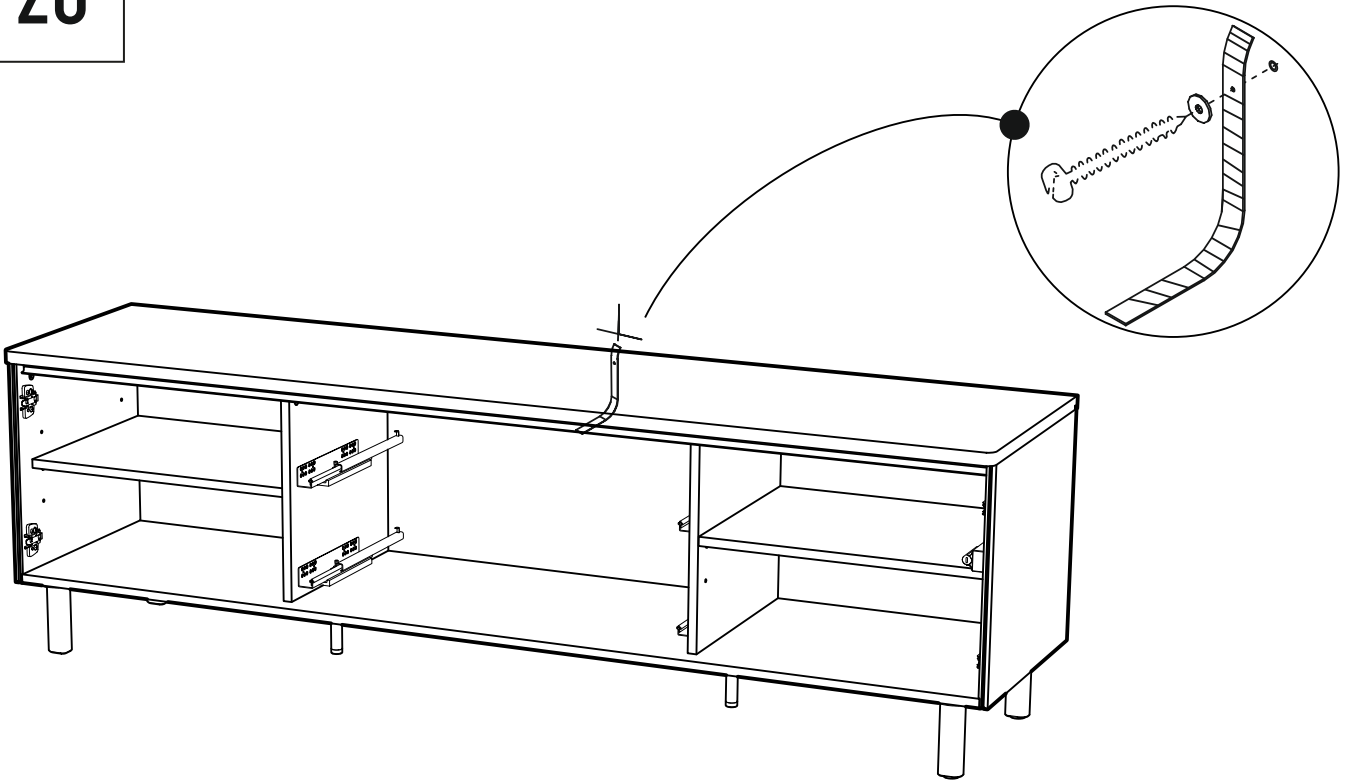
26



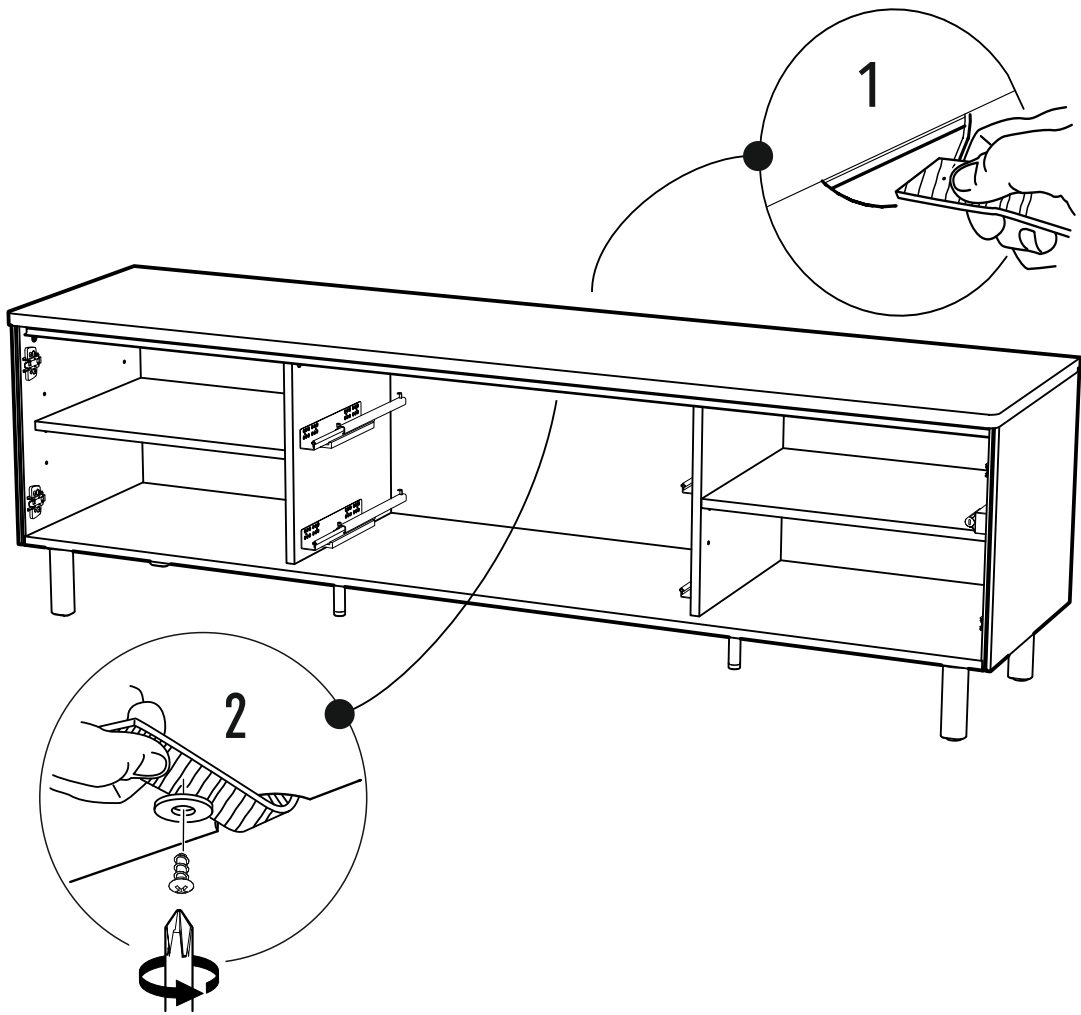
27



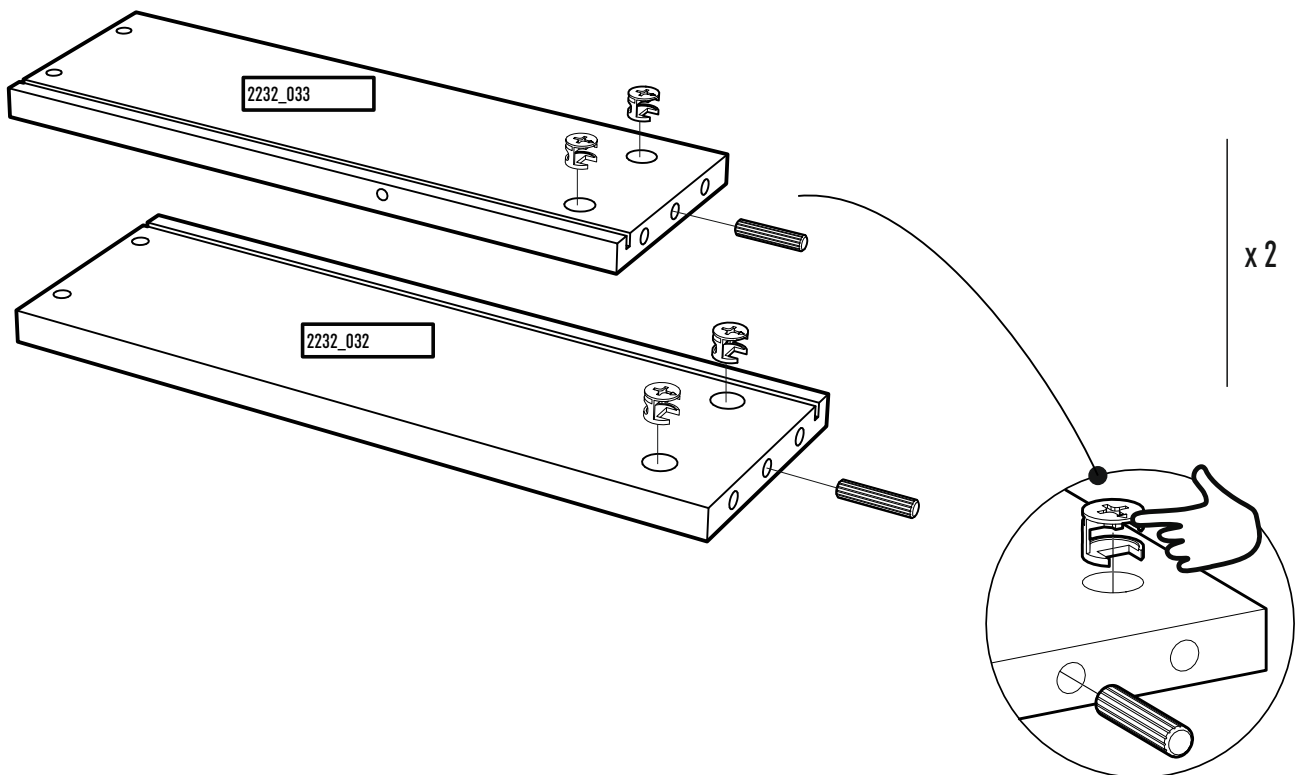
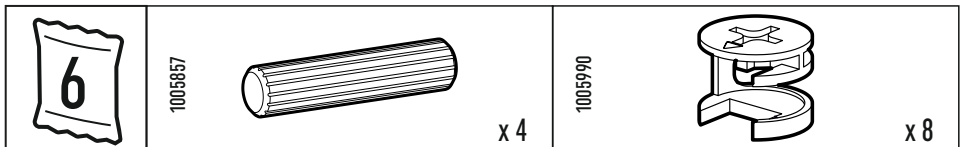
28



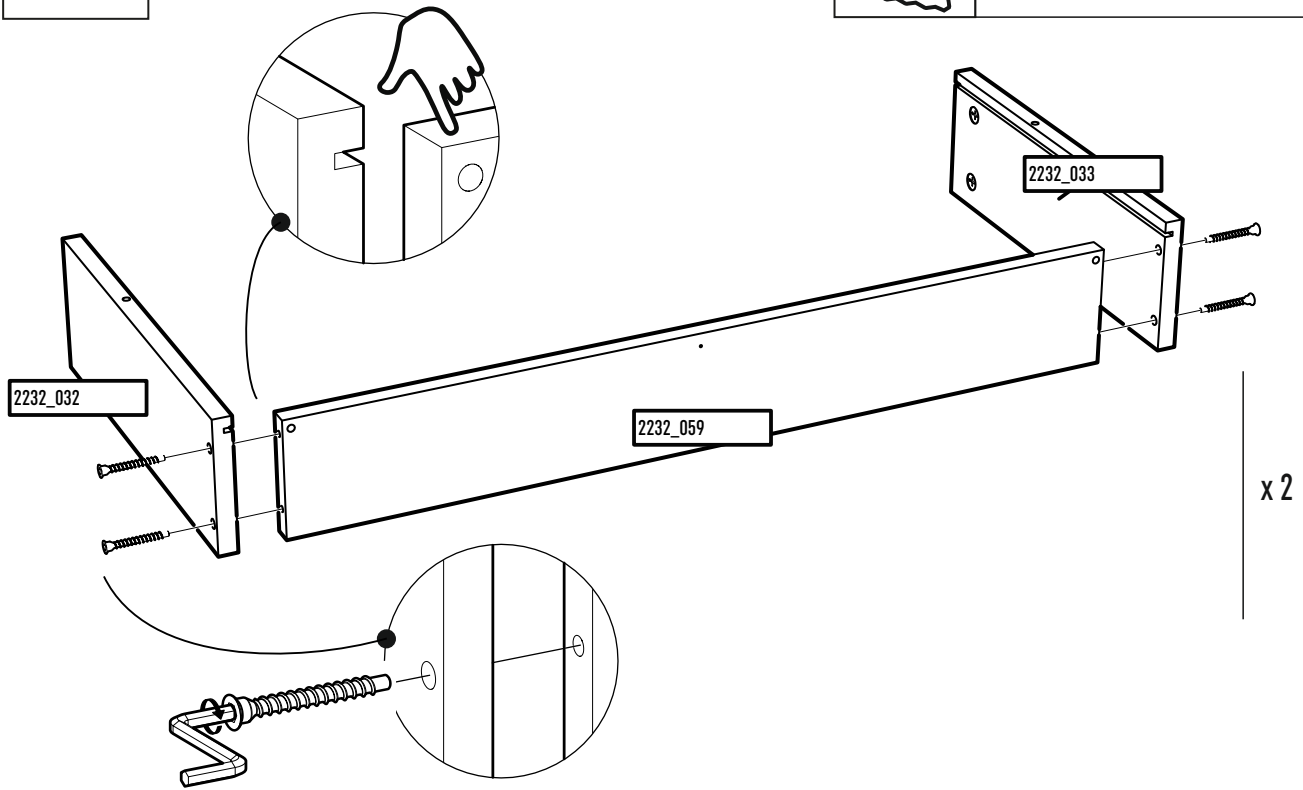
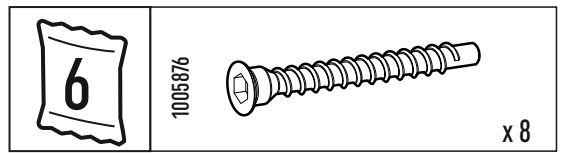
29



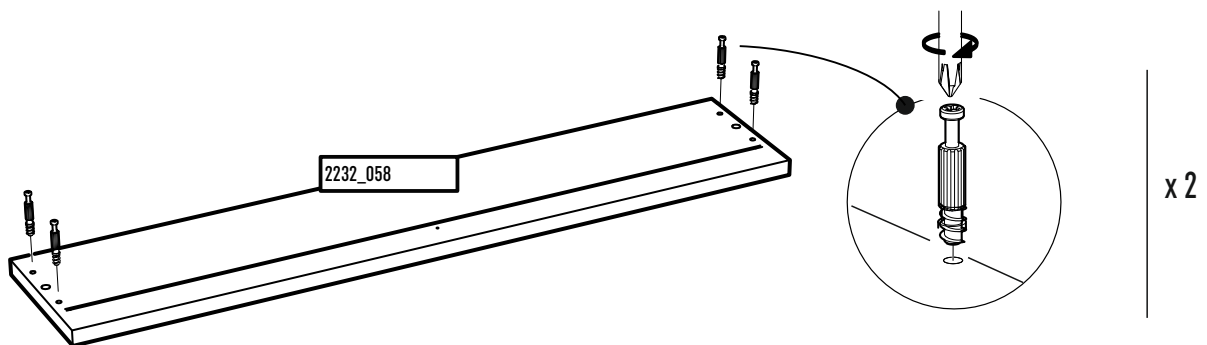
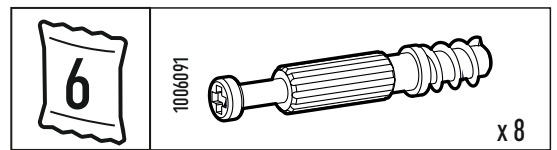
30



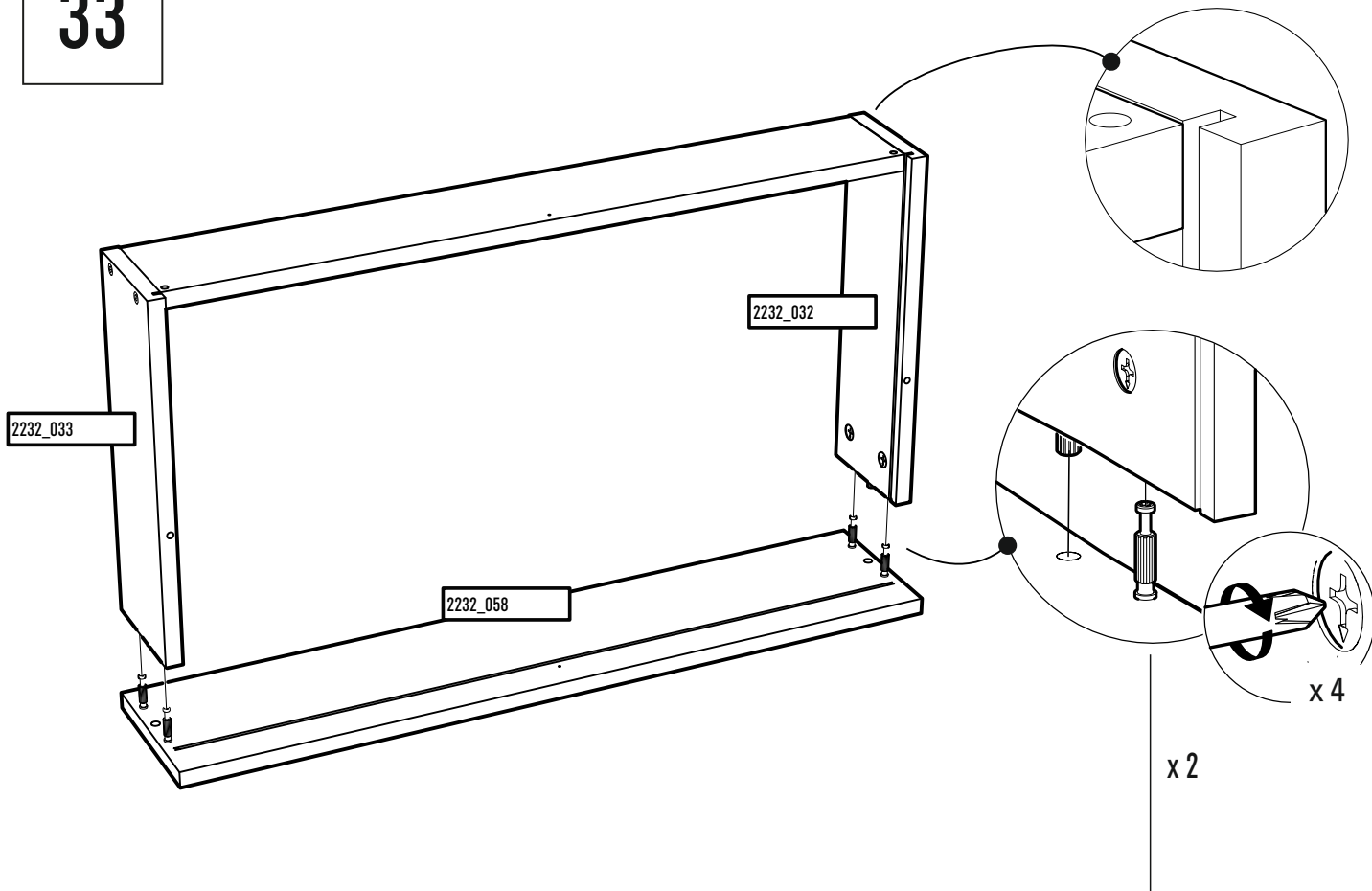
31



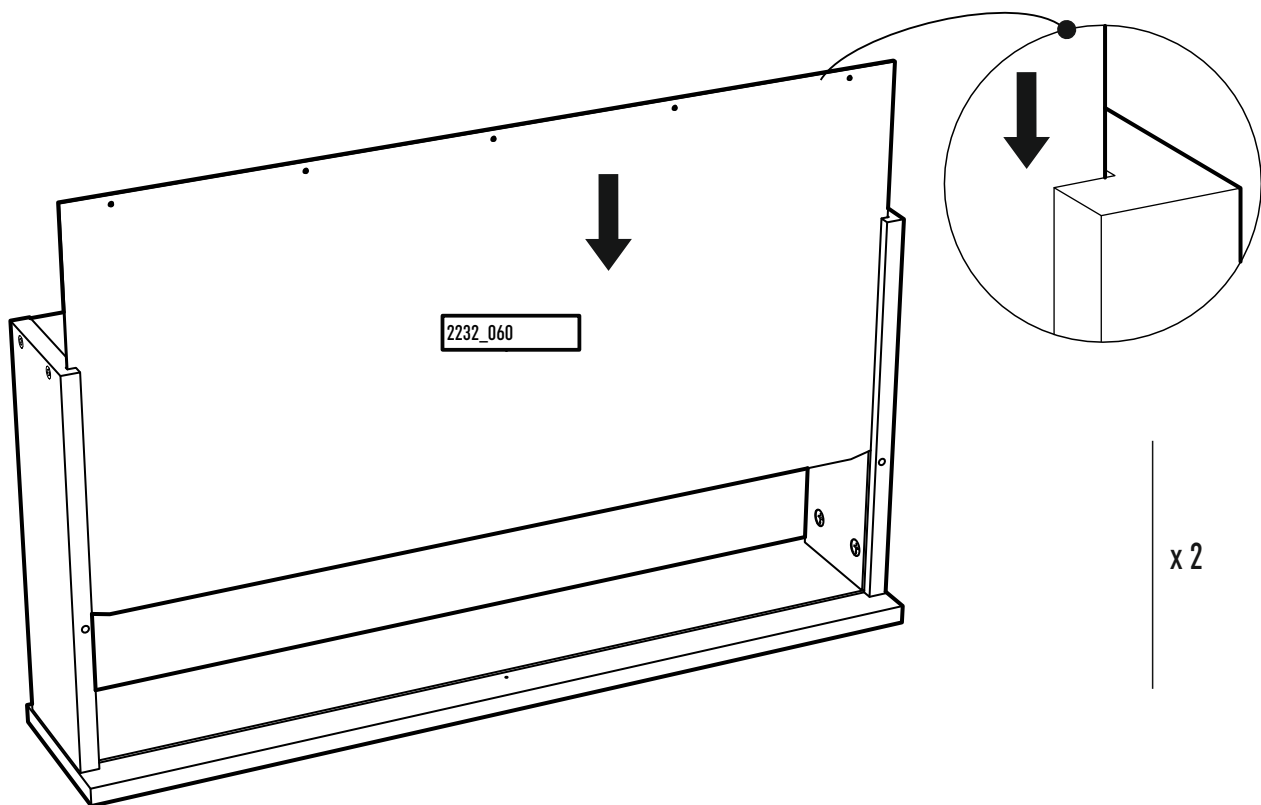
32





33



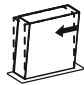
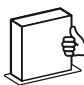



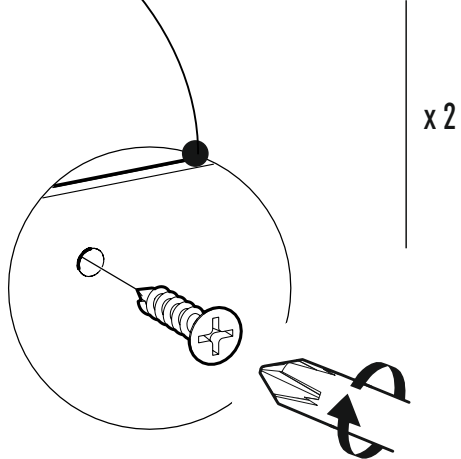
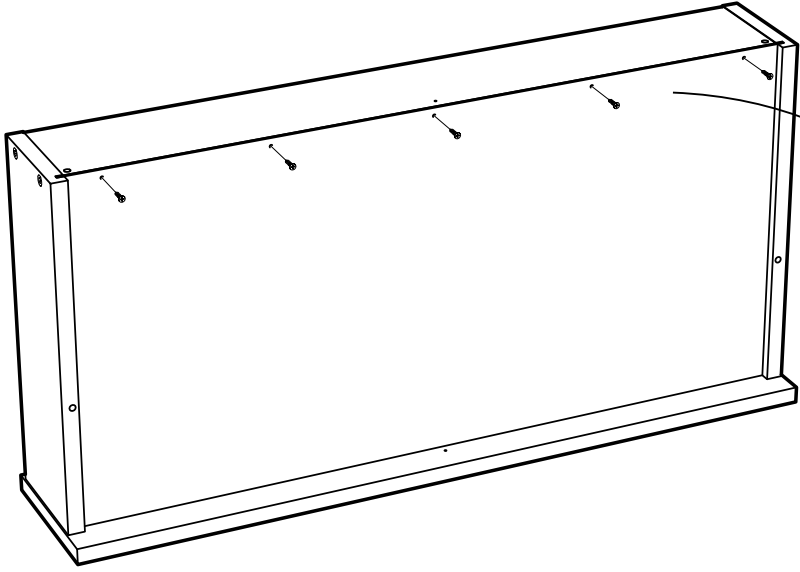
34






35

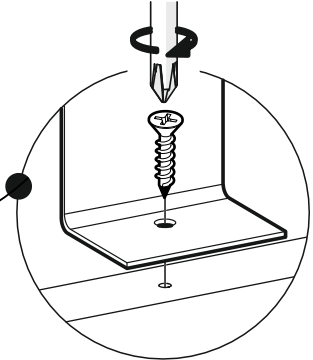
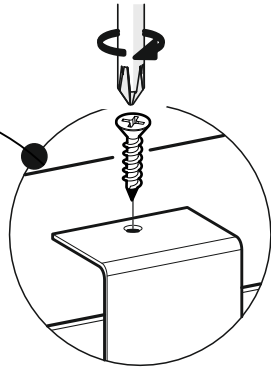
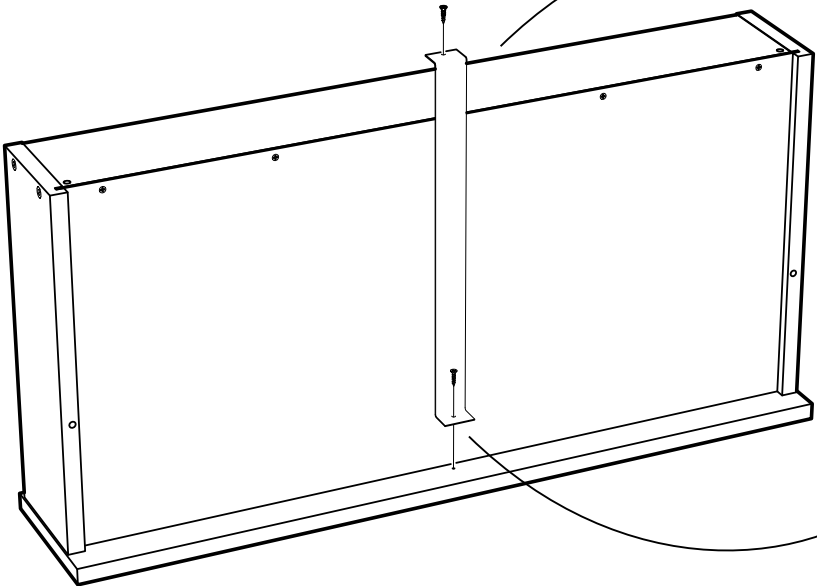
	1006012		x 10
---	---------	---	------

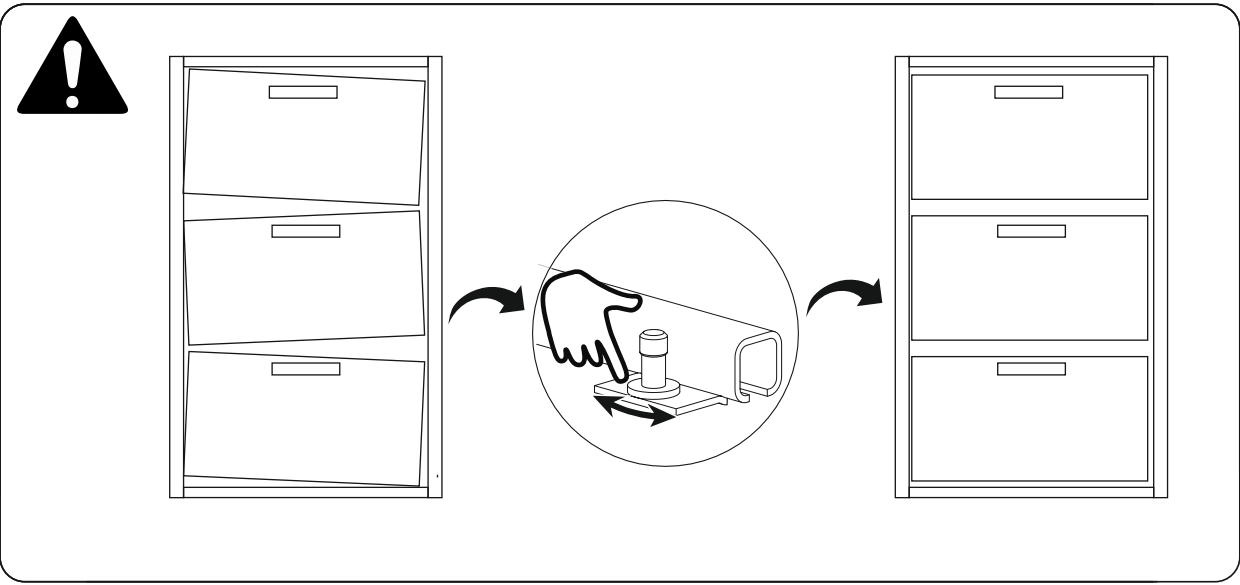
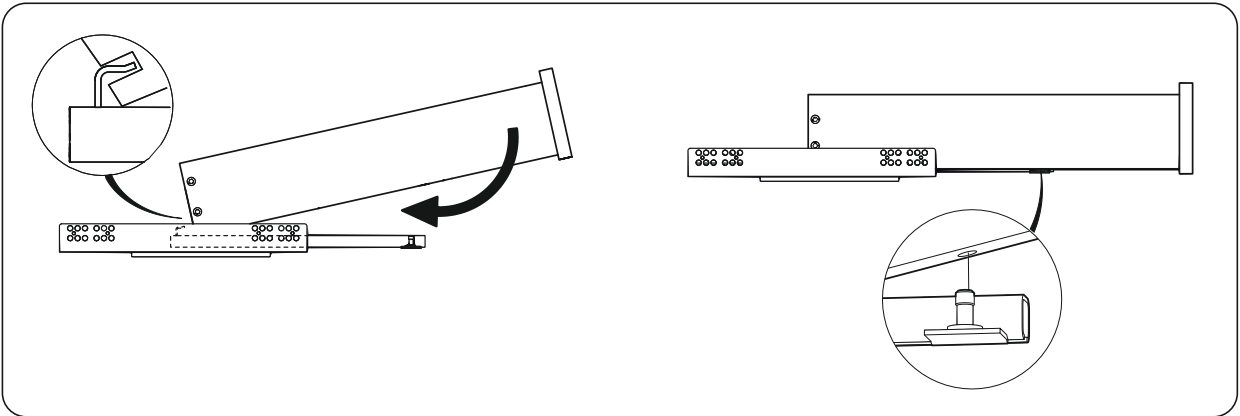
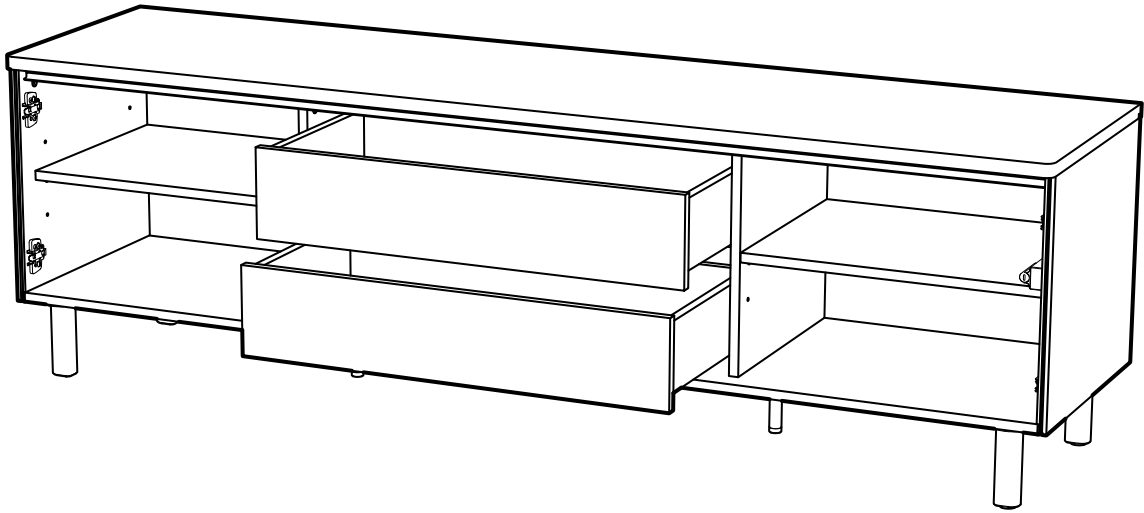
			
		X=Y (>2mm)	X=Y (≤2mm)



36

	1006012		x 4		x 2
---	---------	---	-----	---	-----





38

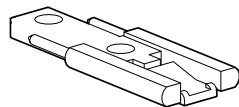


1005681

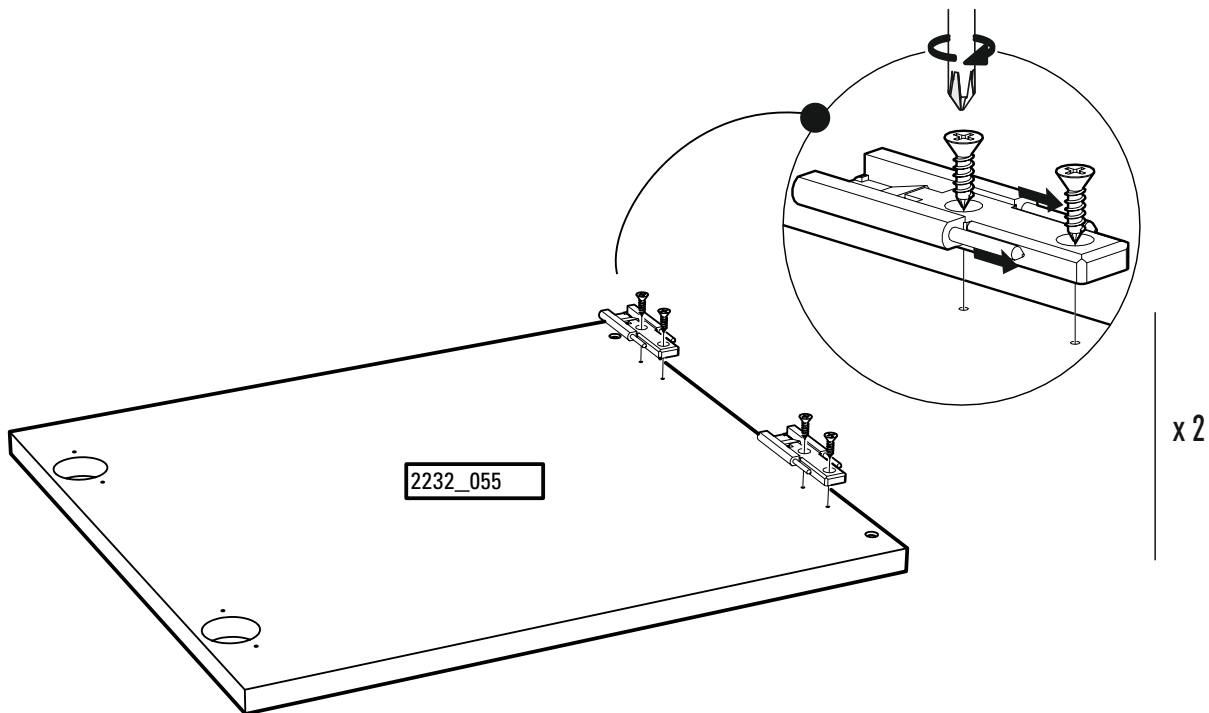


x 8

1123189



x 4



39

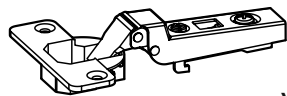


1005681



x 8

1136238

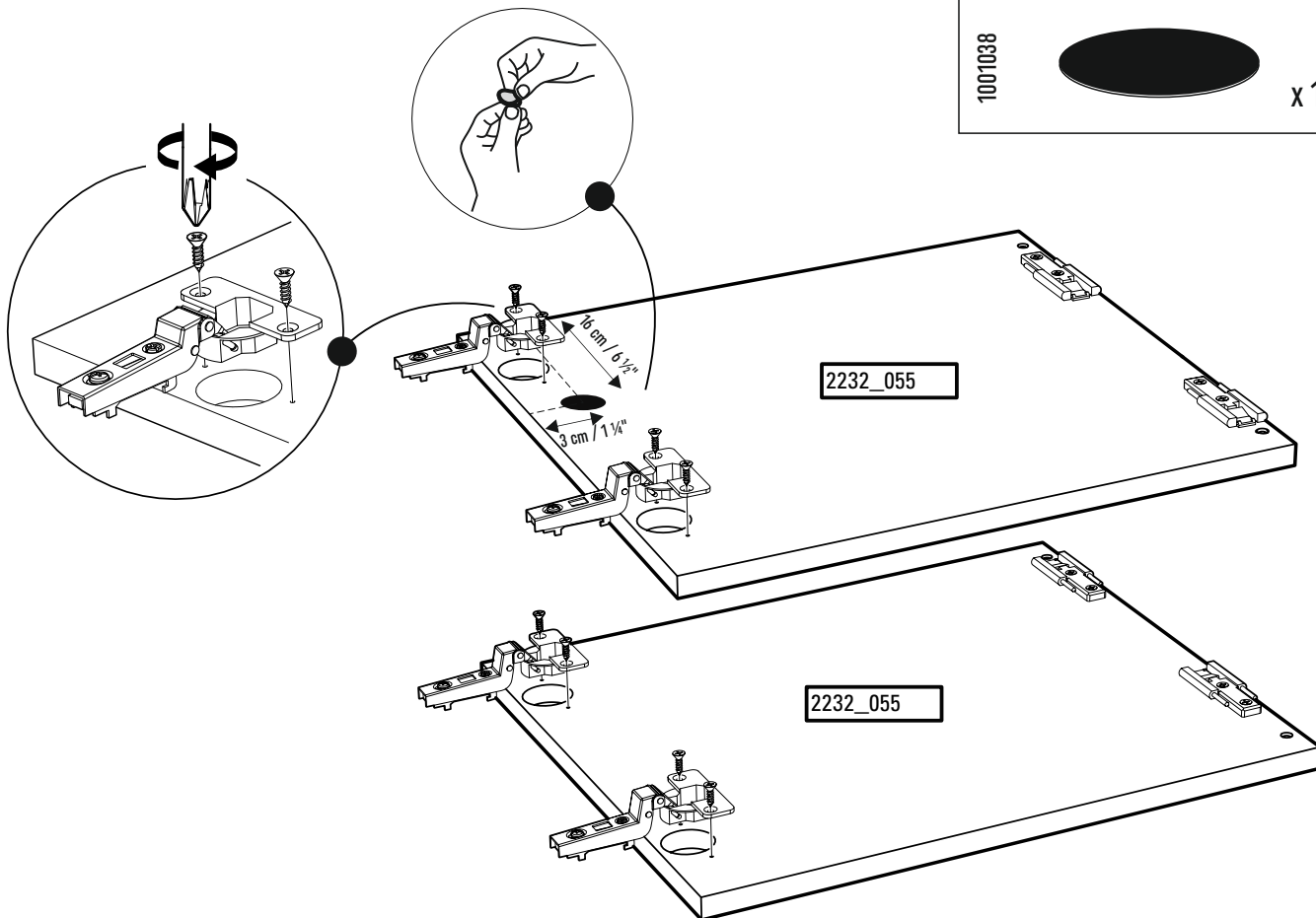


x 4



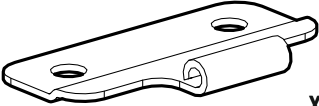
1001038

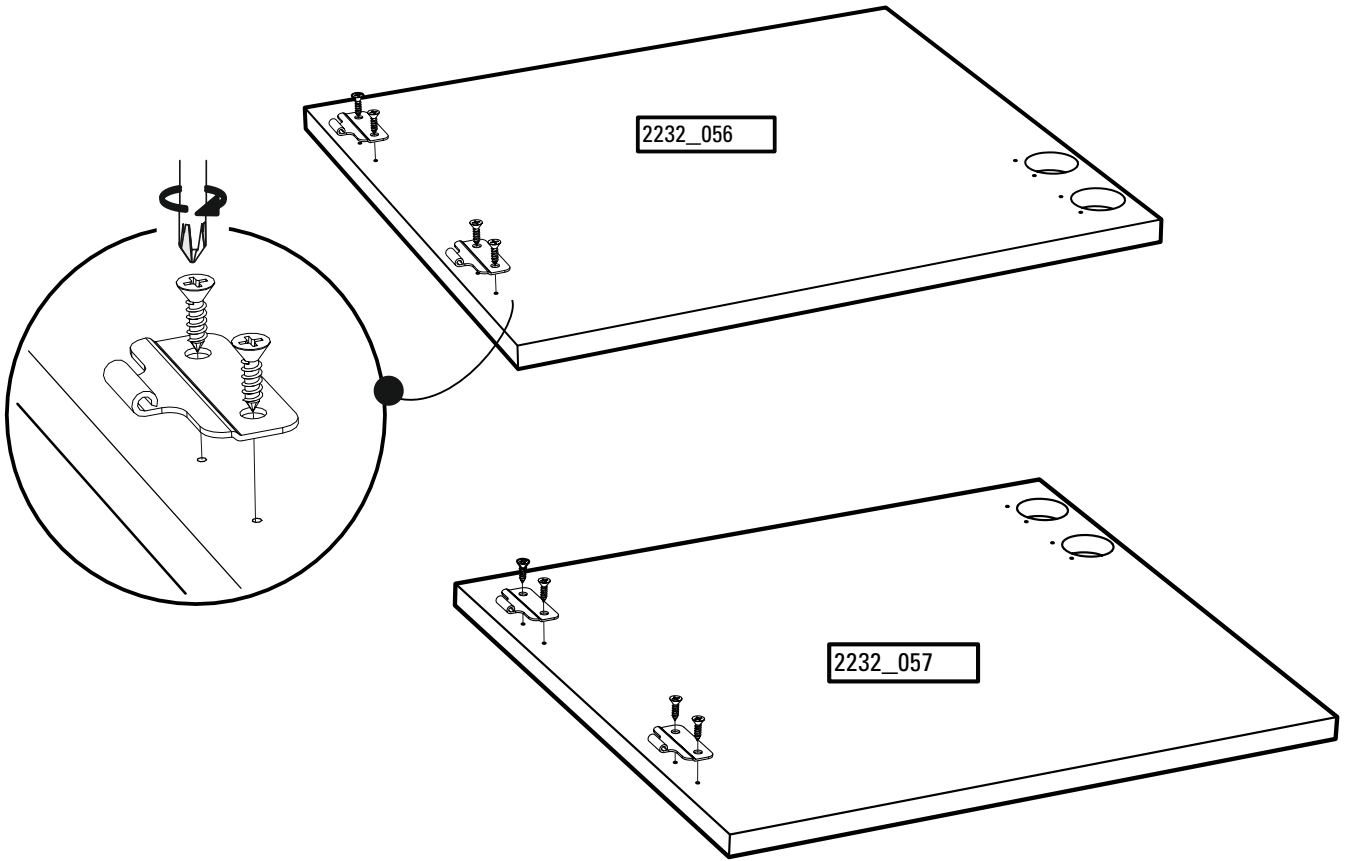


x 1



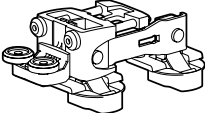


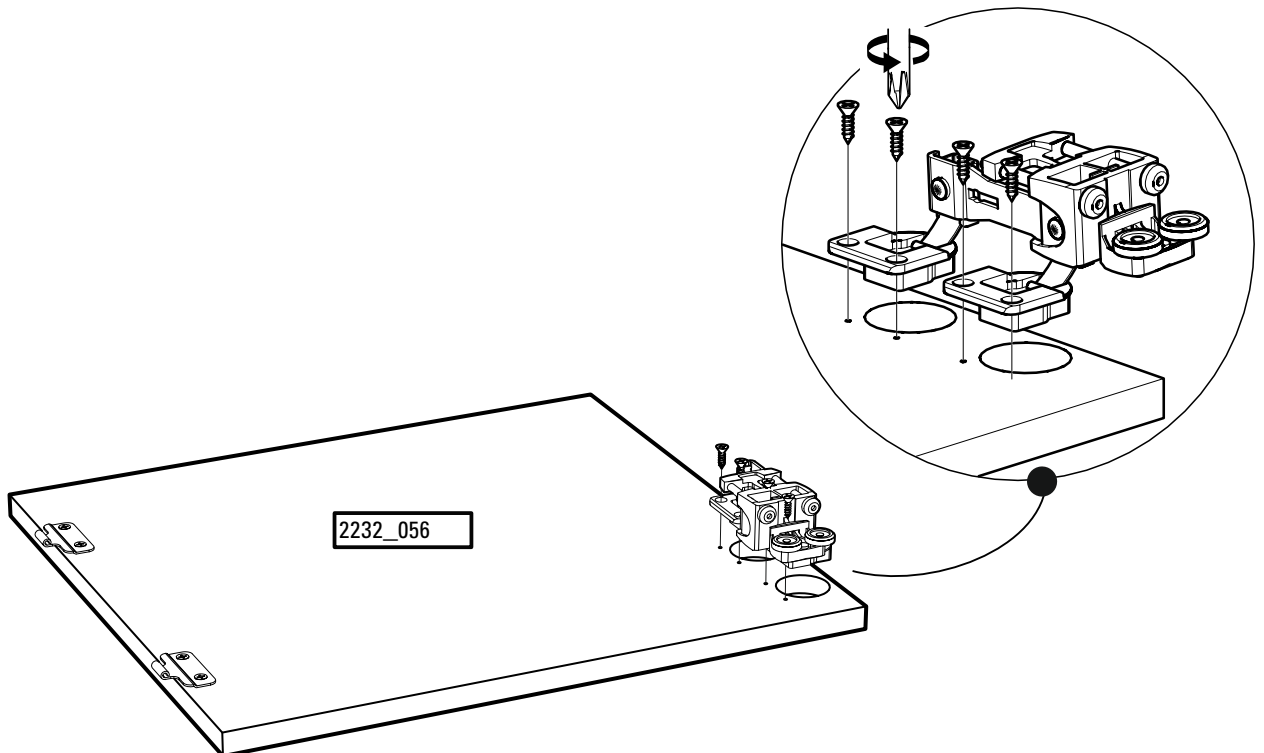
40

	1005681		x 8	1123188		x 4
--	---------	---	-----	---------	--	-----



41

	1005681		x 4	1123182		x 1
---	---------	---	-----	---------	---	-----



42

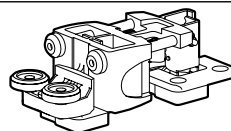
7

1005681

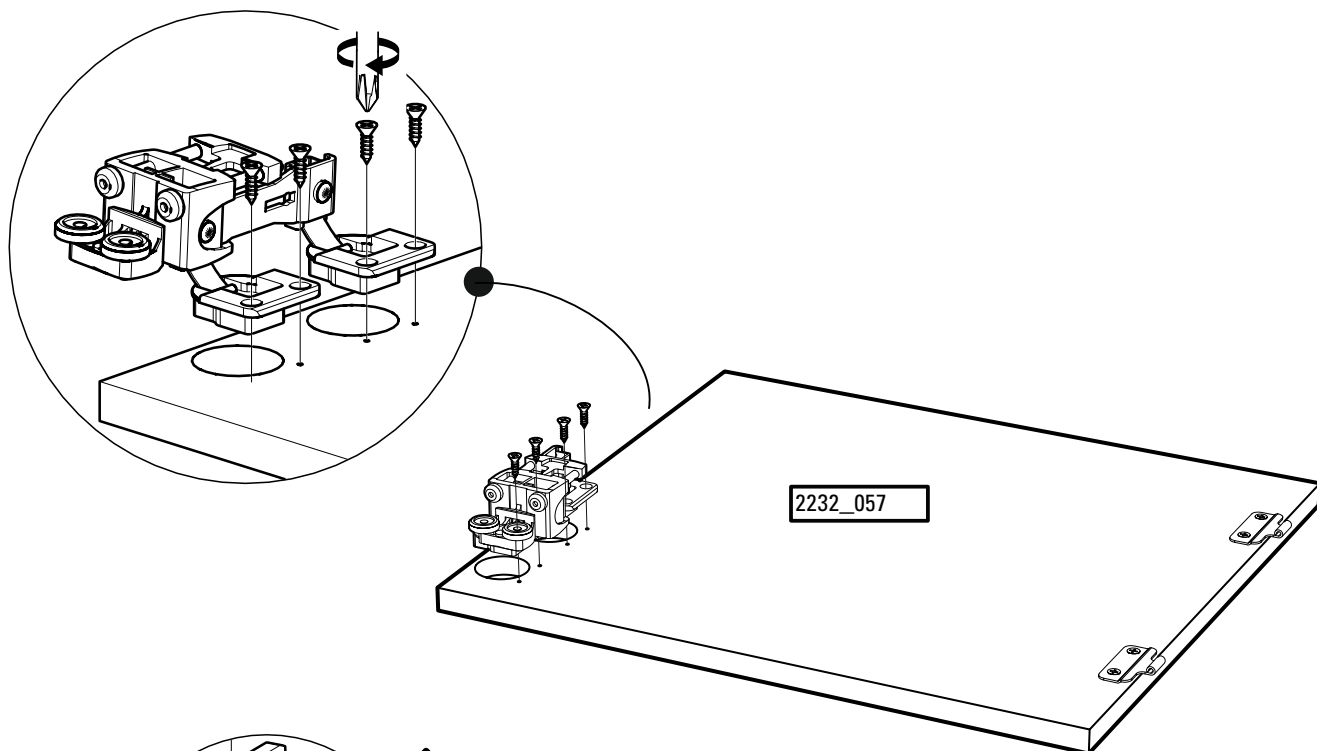


x 4

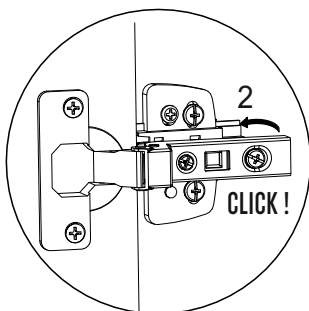
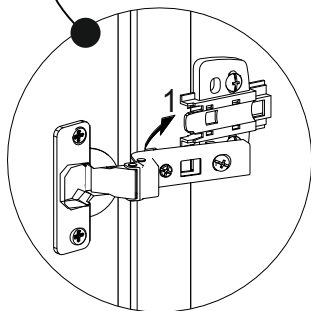
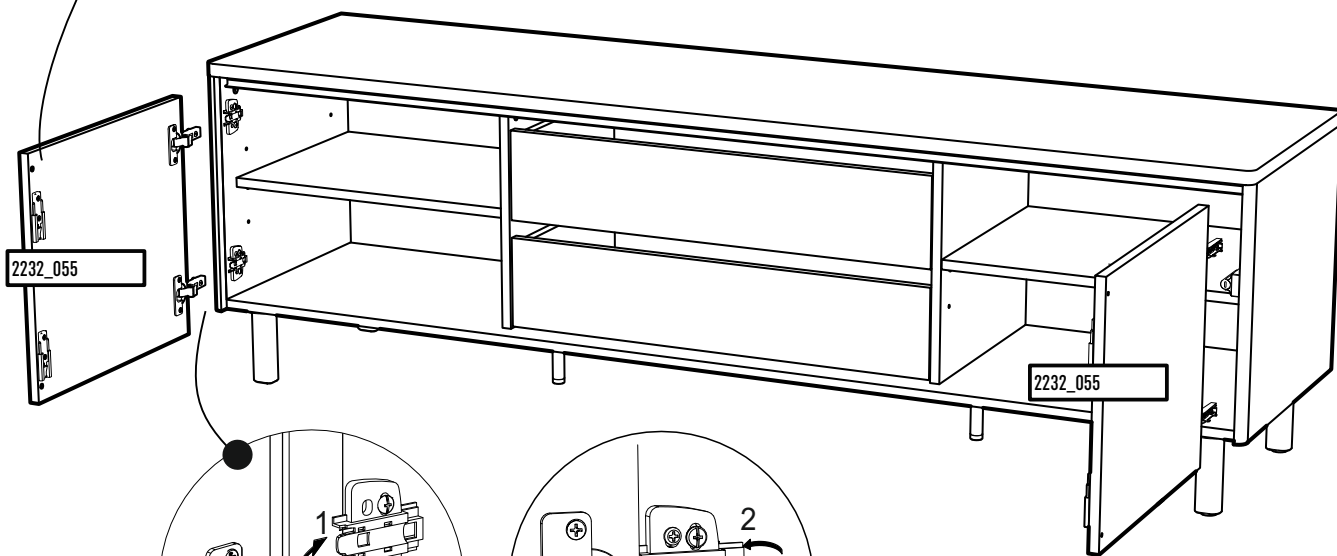
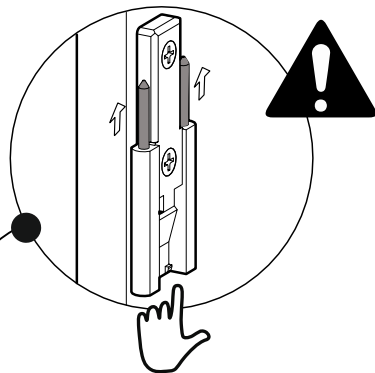
1123181



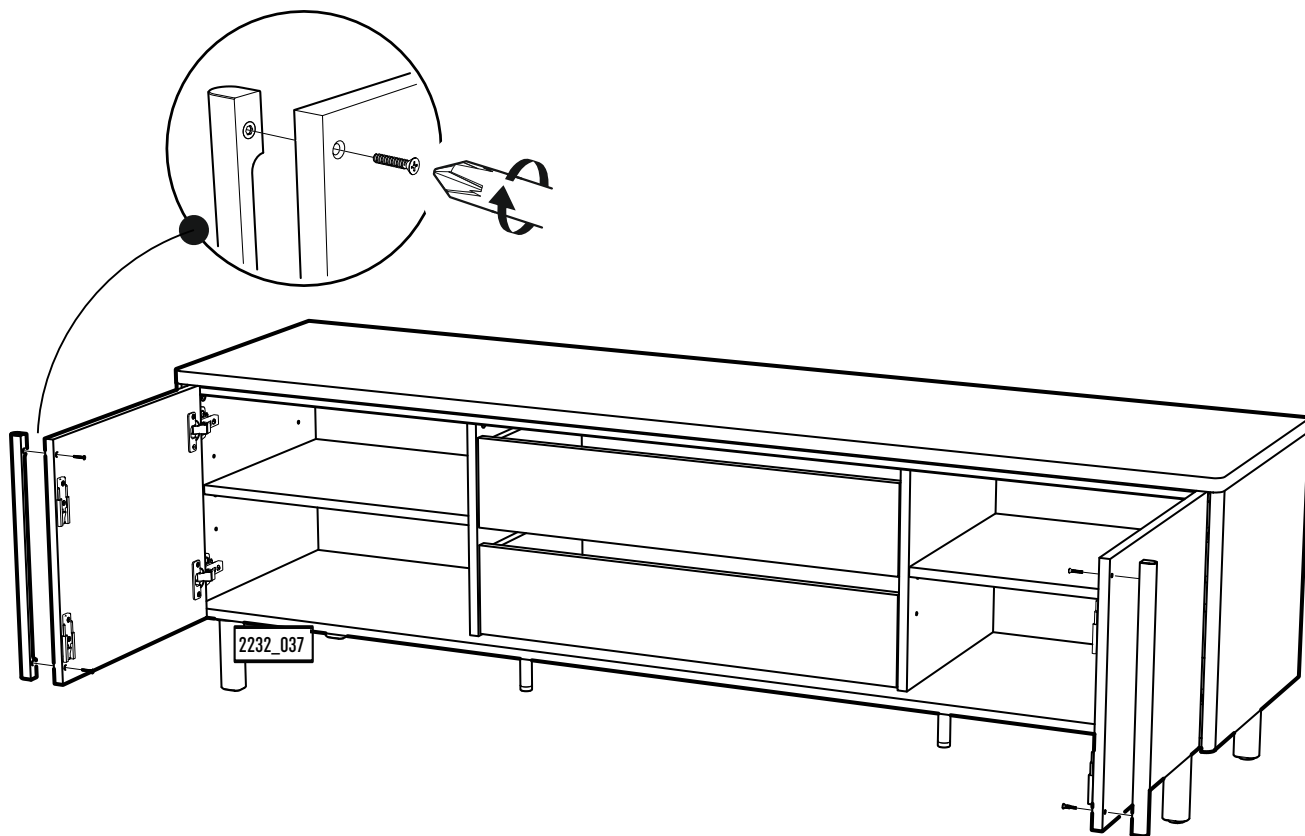
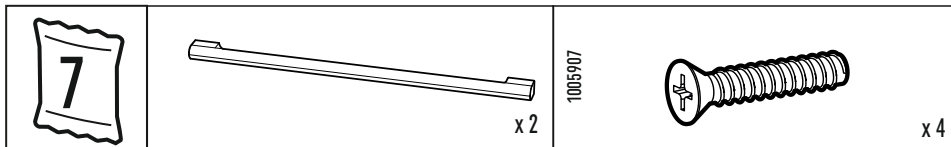
x 1



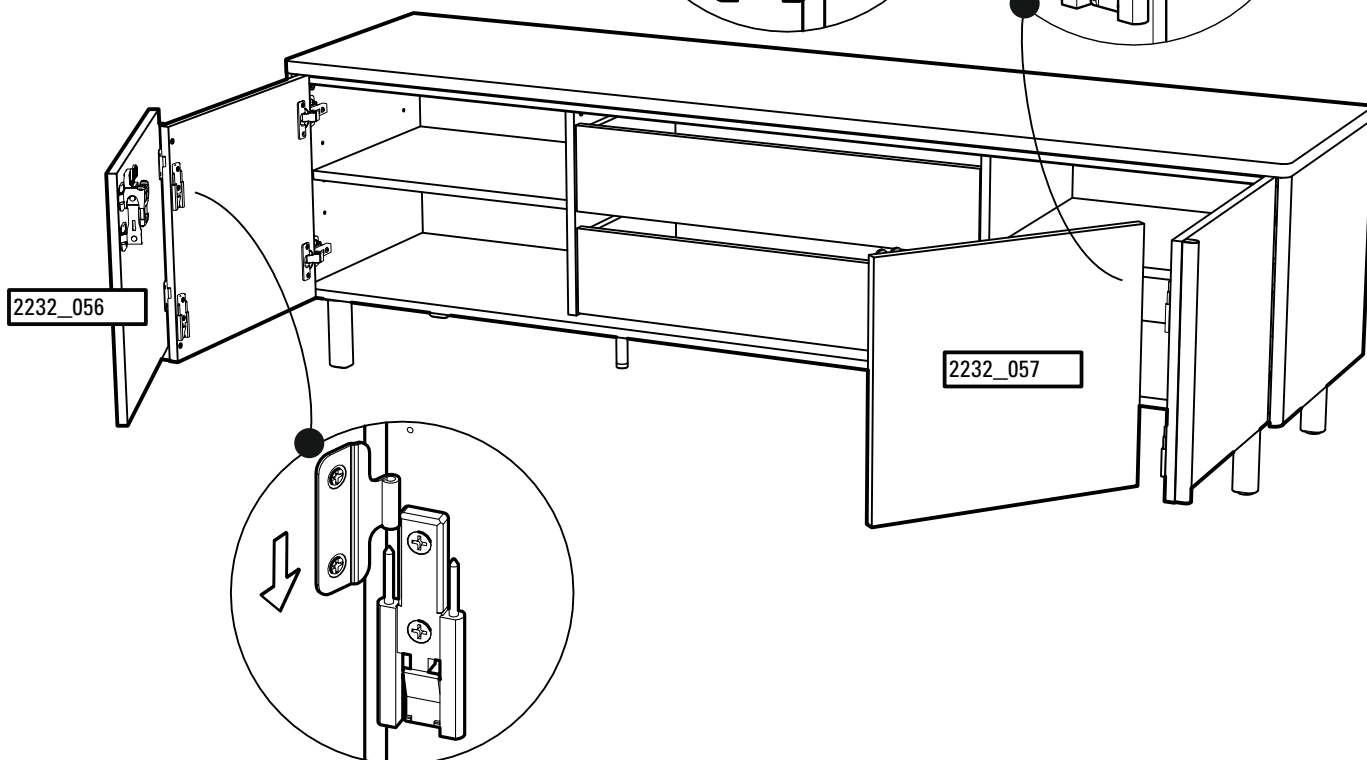
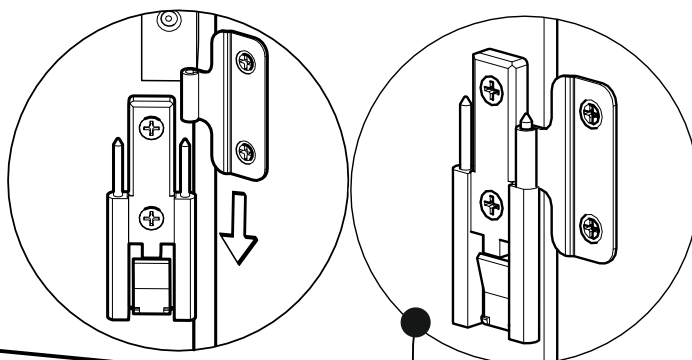
43



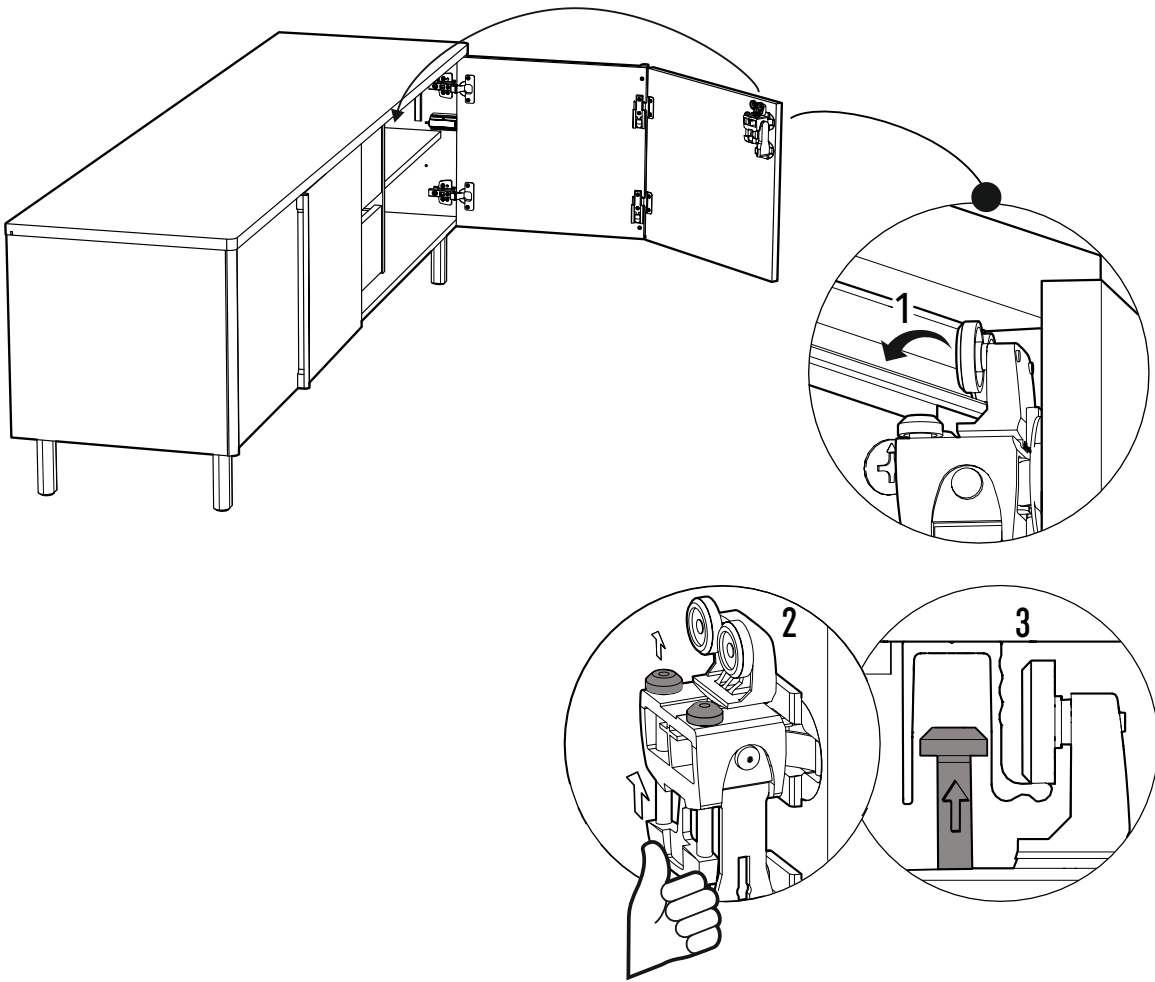
44



45



46



47

