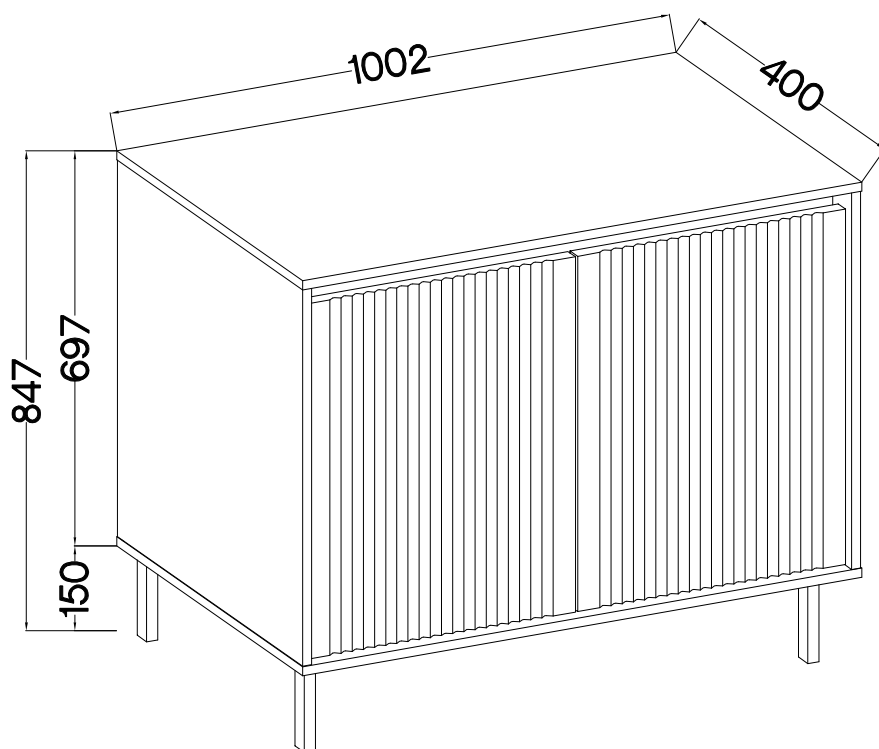
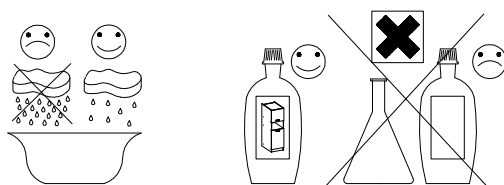


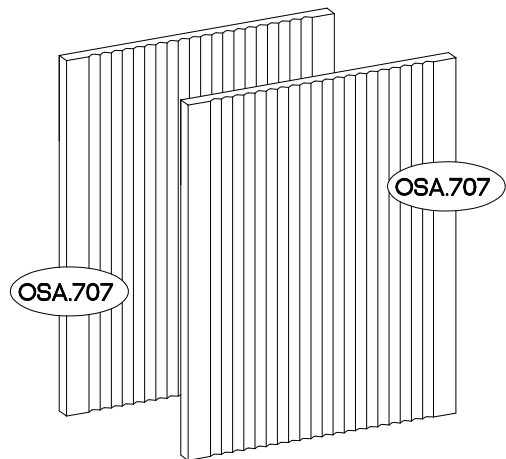
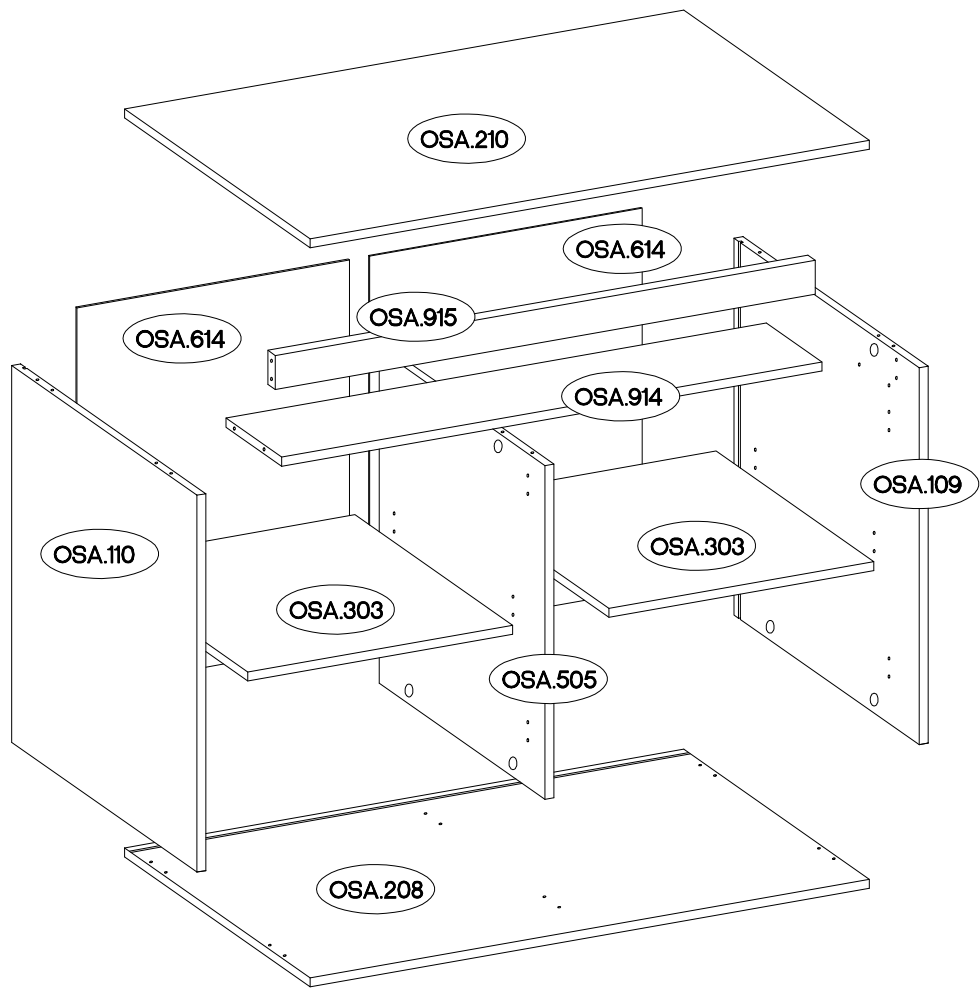
60 min

TYP 812

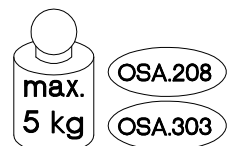
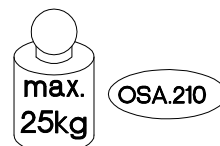


 †8x30mm A 17	 †15/12mm C 13	 L=20mm D2 13	 †20 E11 10	 L=150mm F34 4	 †35/16mm HG2 4					
 †5/16mm J3 8	 †7/2mm J5 2	 L 14	 L2 5	 L9 1	 †10x50mm O7 1	 †4.0x16mm P1 6	 †3.5x13mm P5 9	 †3.0x20mm P7 5	 †4.0x16mm R11 12	 T3 3

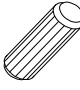


ISM-OSA-009

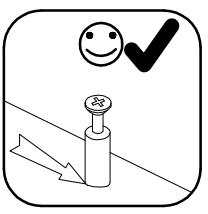
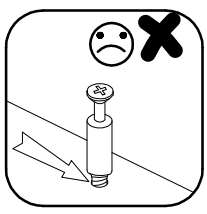
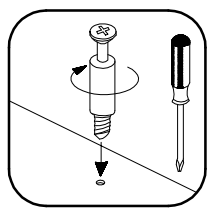
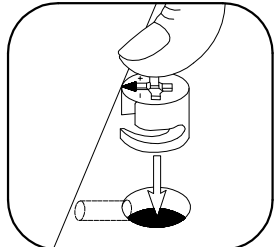
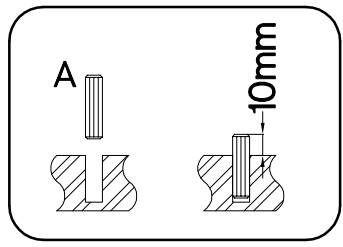
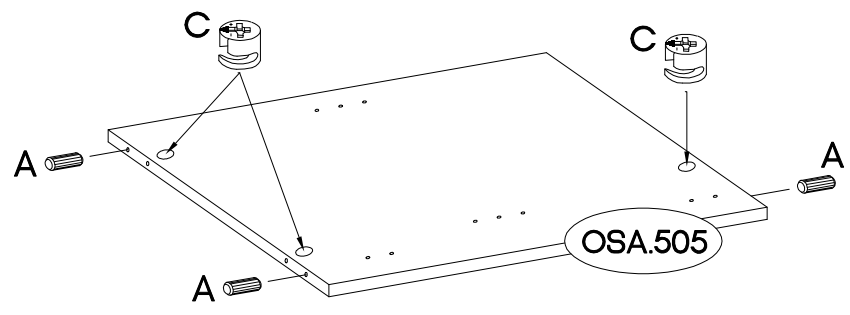
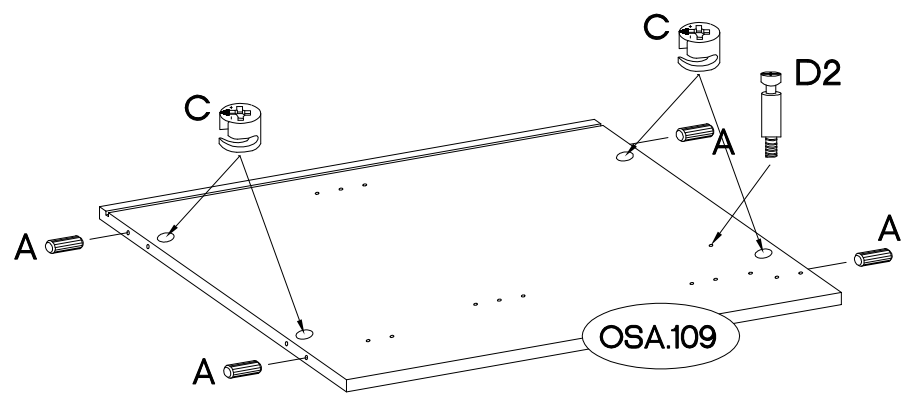
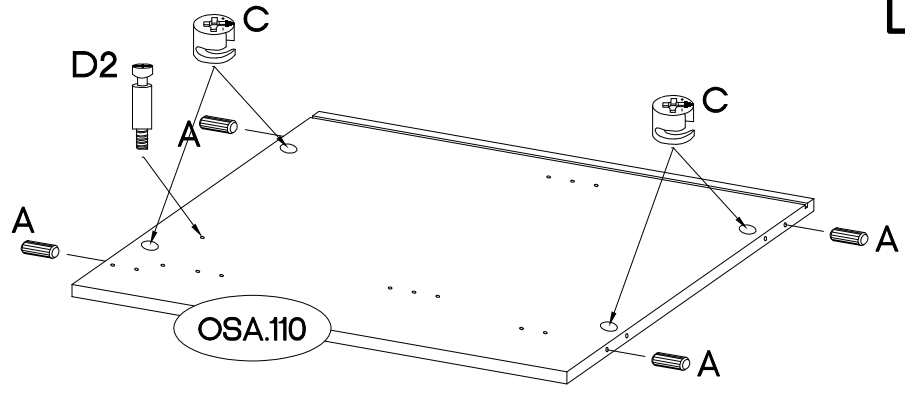
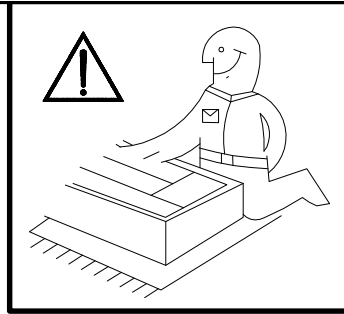


	Ersatzteil Nummer	Dimension
	OSA.109	665x399x16
	OSA.110	665x399x16
	OSA.505	589x357x16
	OSA.208	1002x400x16
	OSA.210	1002x400x16
	OSA.914	968x120x16
	OSA.915	968x60x16
	OSA.303 x2	475x340x16
	OSA.614 x2	674x488x2,5
	OSA.707 x2	627x480x16

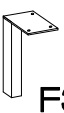




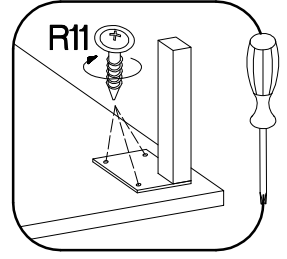
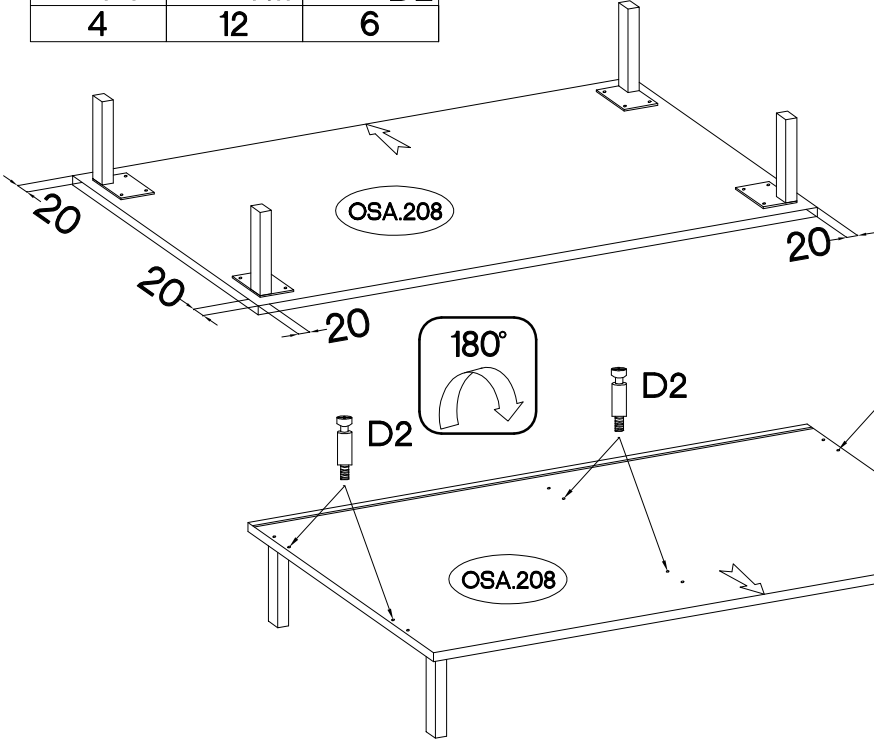
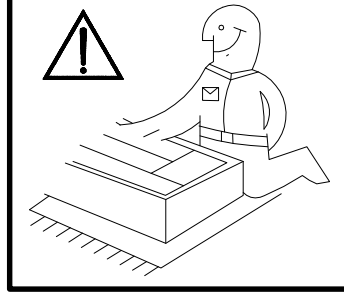
1

$\pm 8 \times 30 \text{mm}$  A 11	$\pm 15 / 12 \text{mm}$  C 11	L=20mm  D2 2
--	--	---

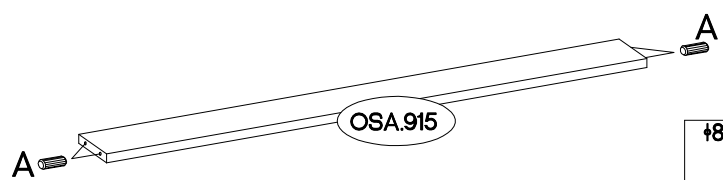
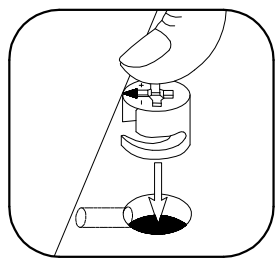
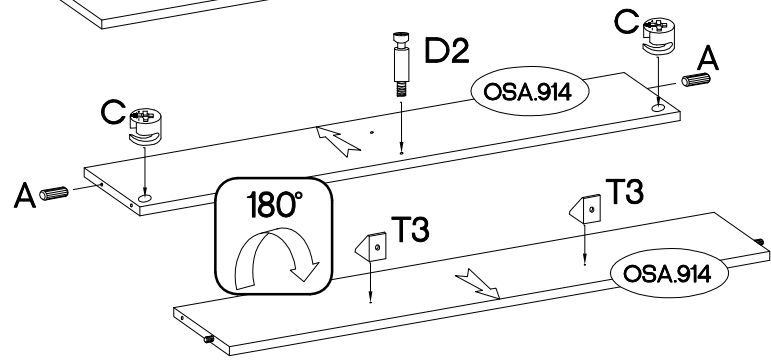
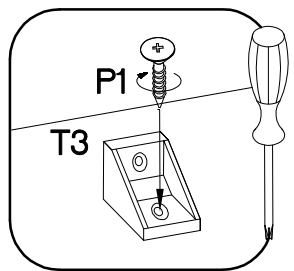
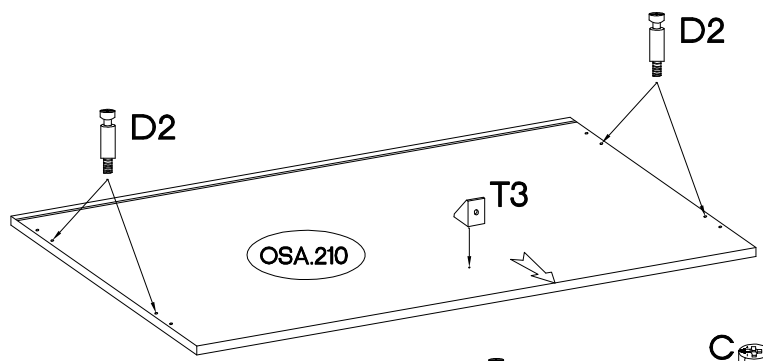
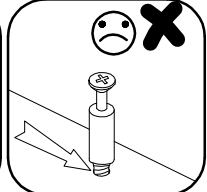
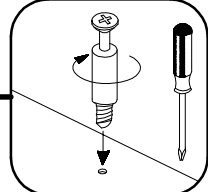
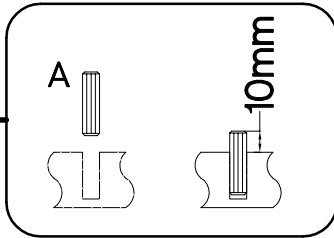


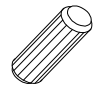


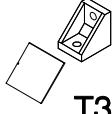

2

L=150mm  F34 4	4.0x16mm  R11 12	L=20mm  D2 6
---	---	---

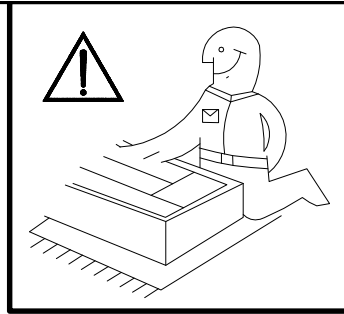
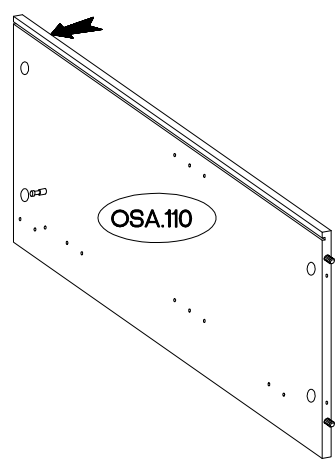
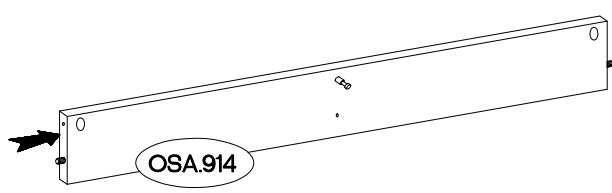


3

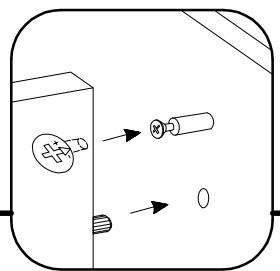
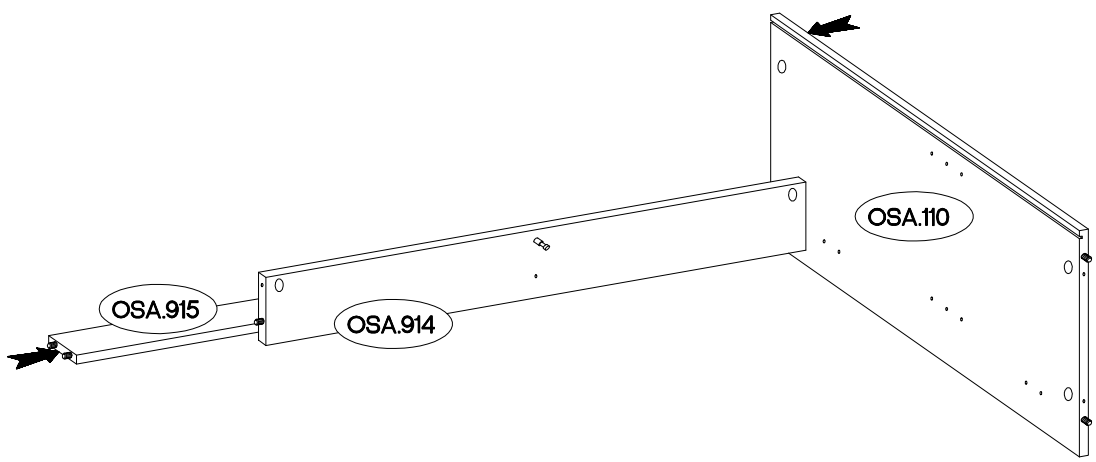


48x30mm  A 6	15/12mm  C 2	L=20mm  D2 5	 T3 3	4.0x16mm  P1 3
--	--	--	--	--

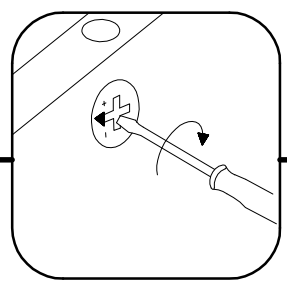
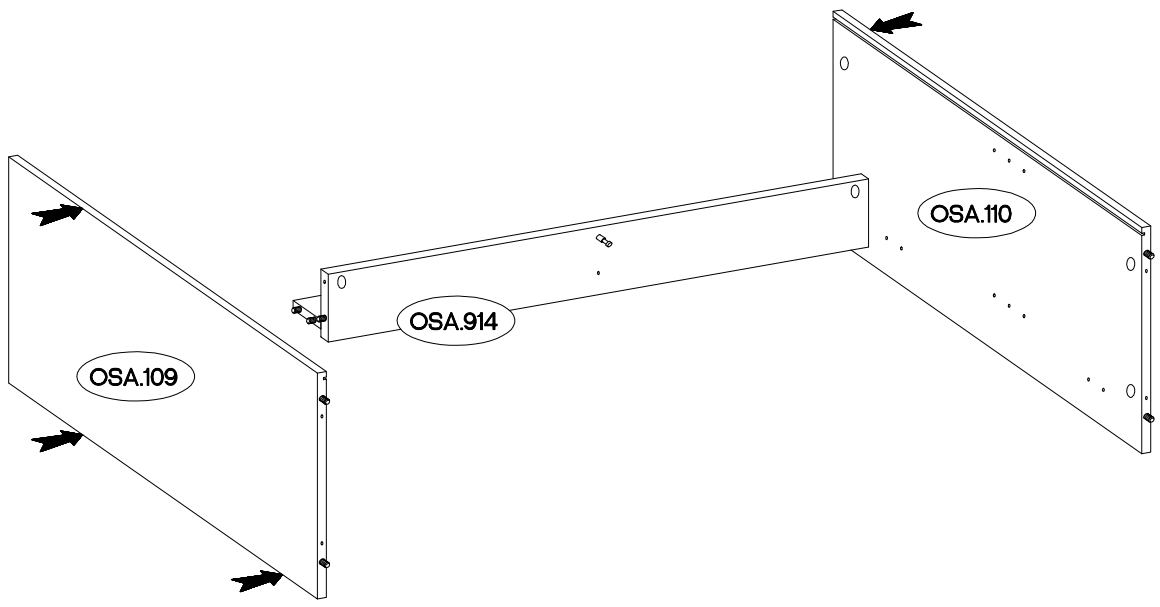
4



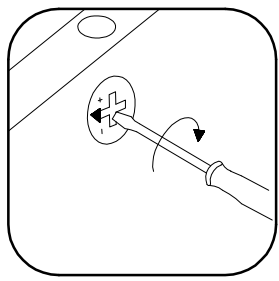
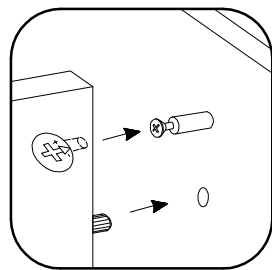
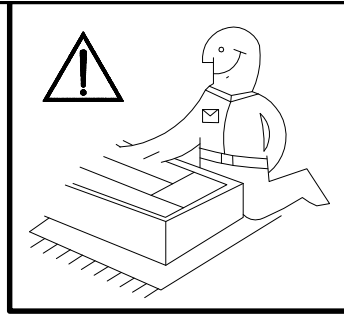
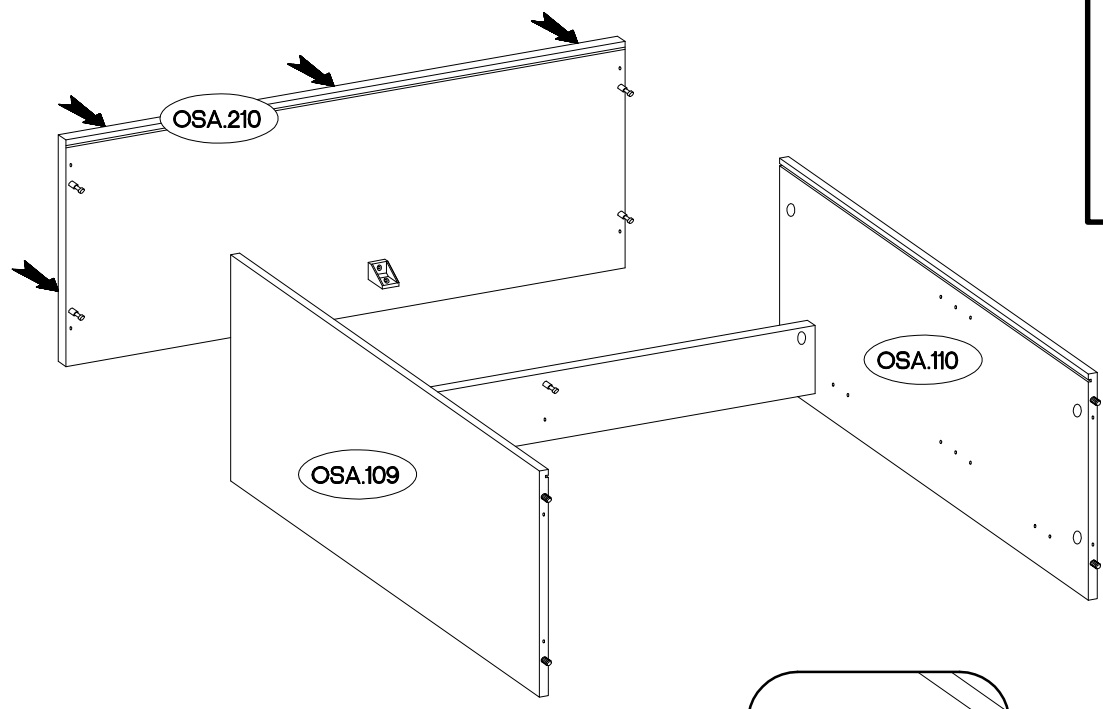
5




6

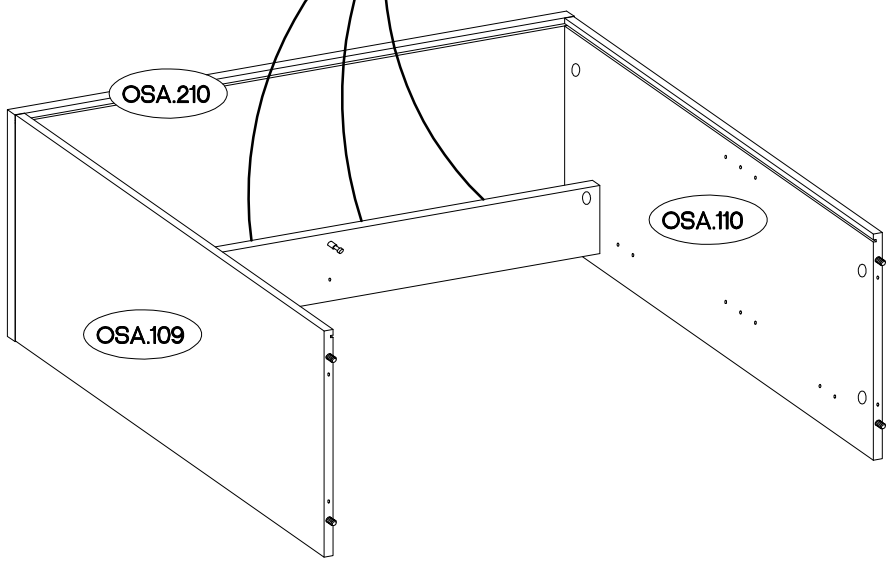
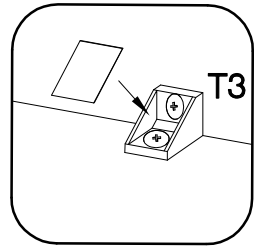
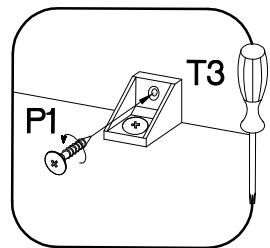


7

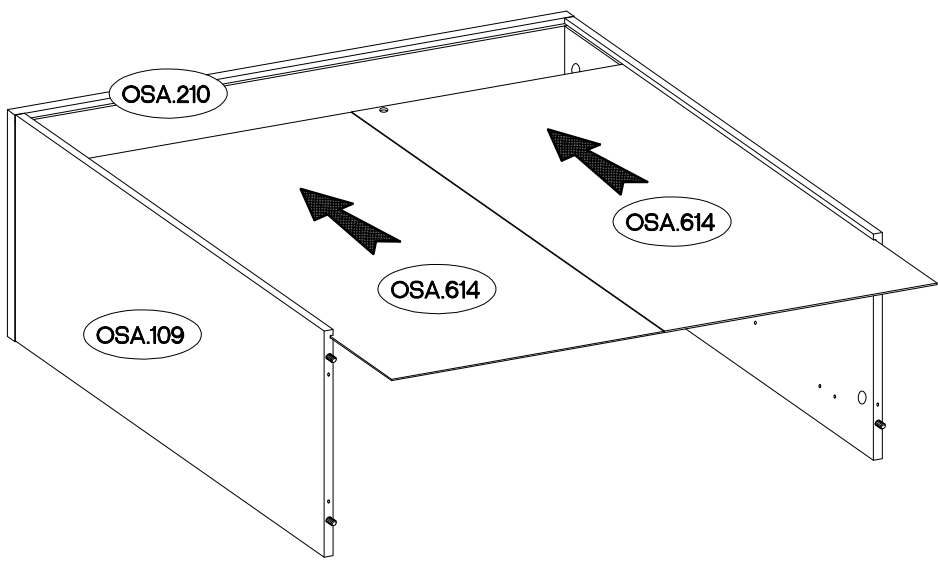
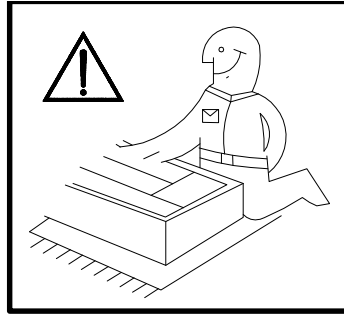
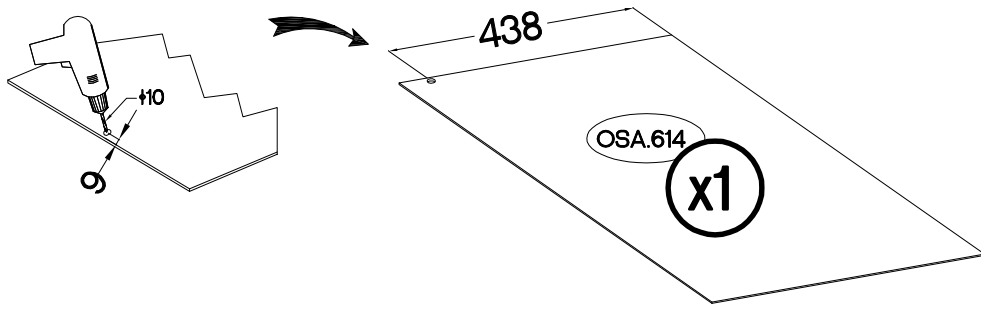


8

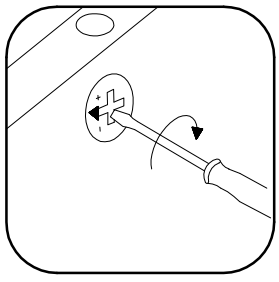
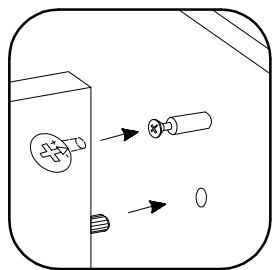
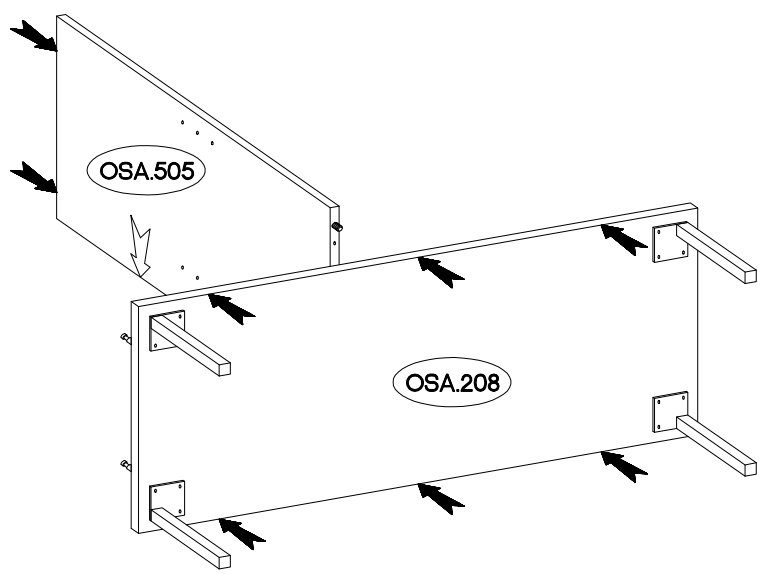
+4.0x16mm

P1
3




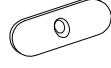
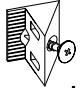
9

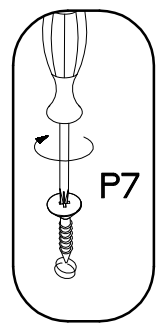
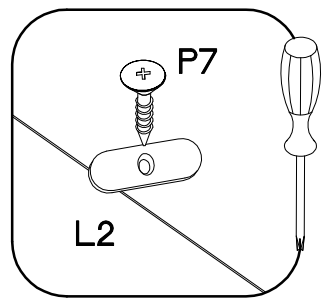
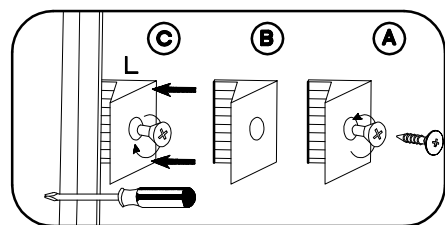
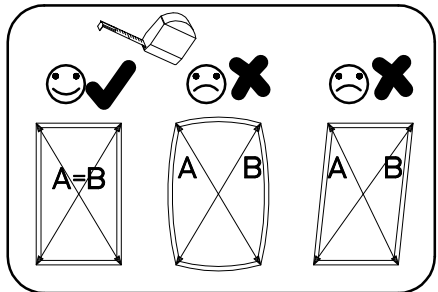
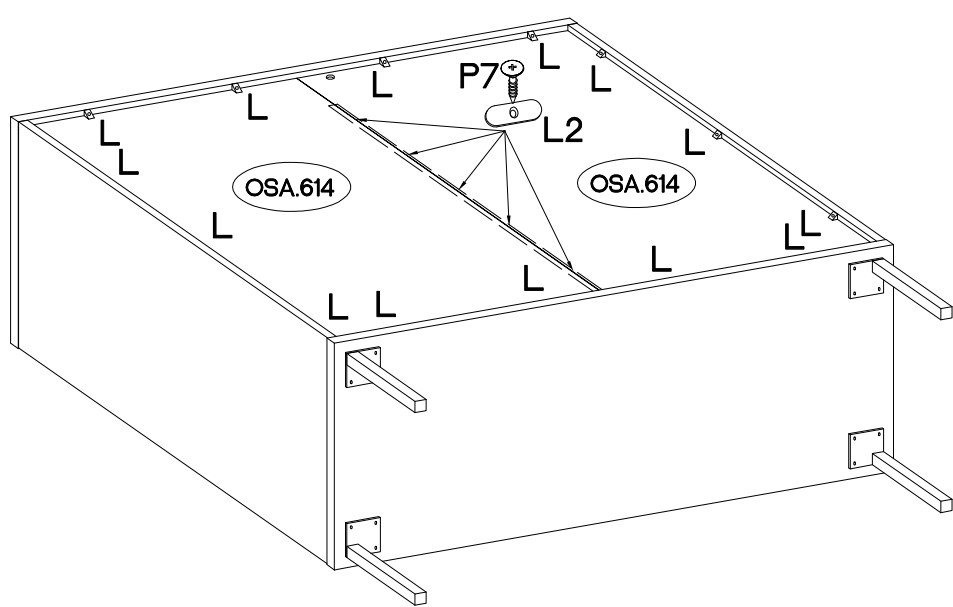
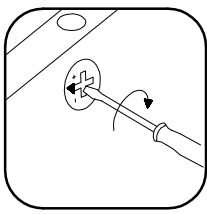
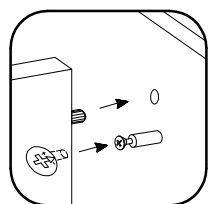
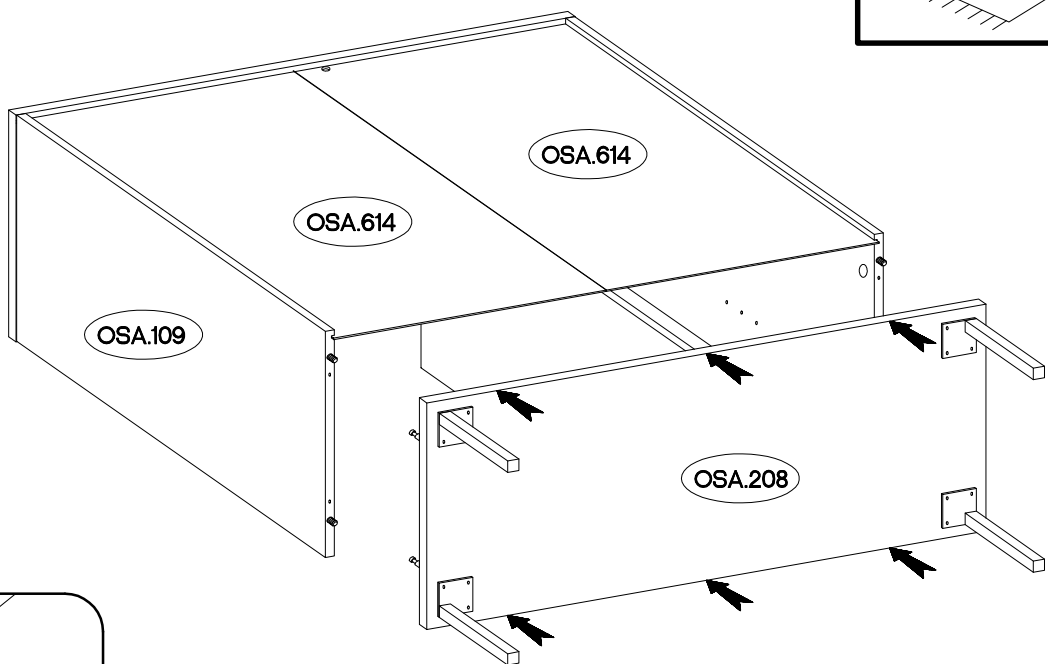
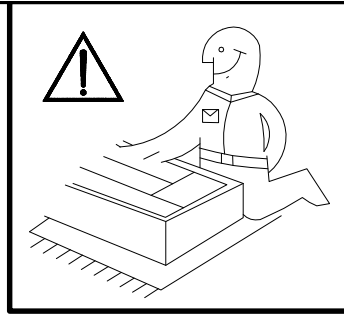





10

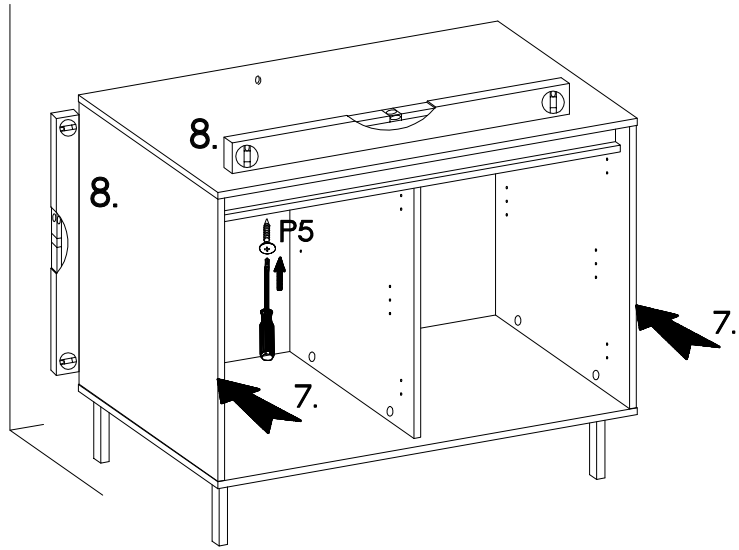
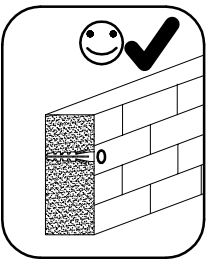
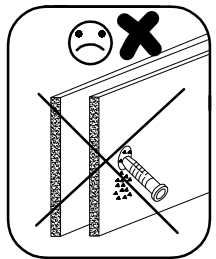
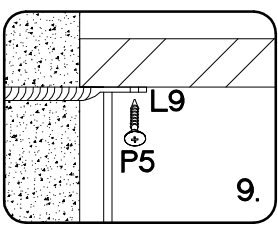
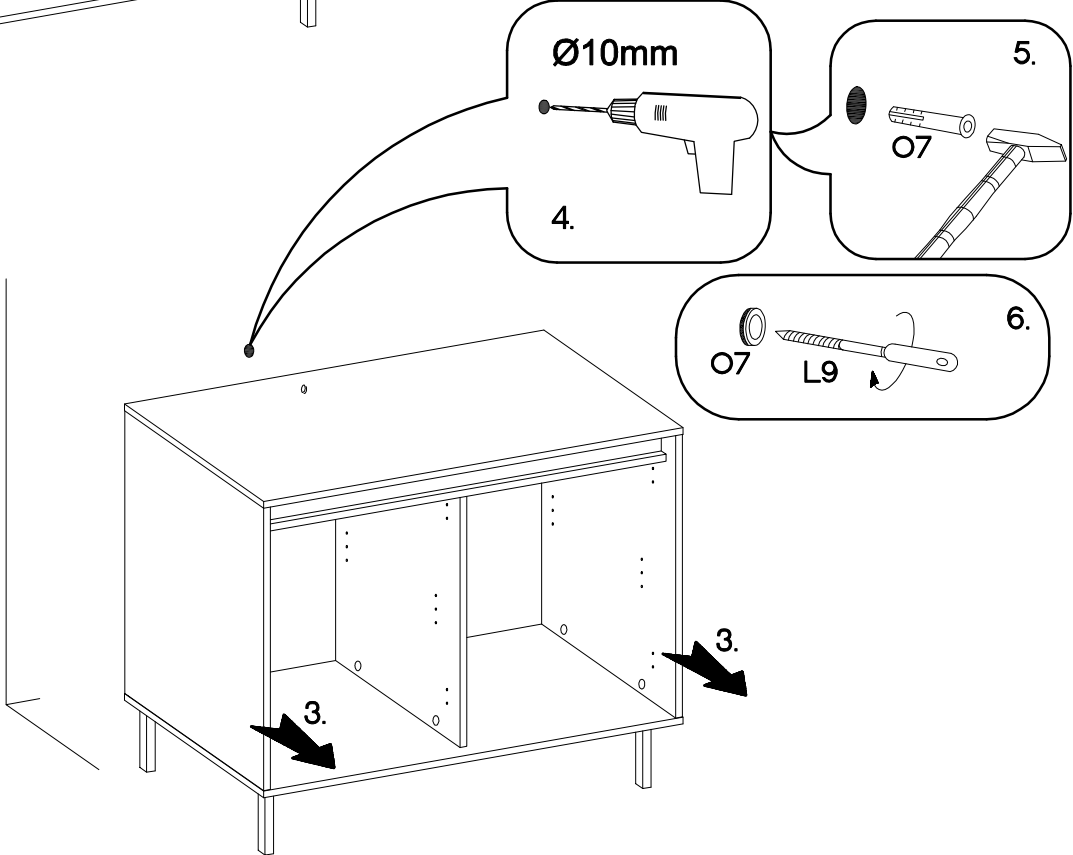
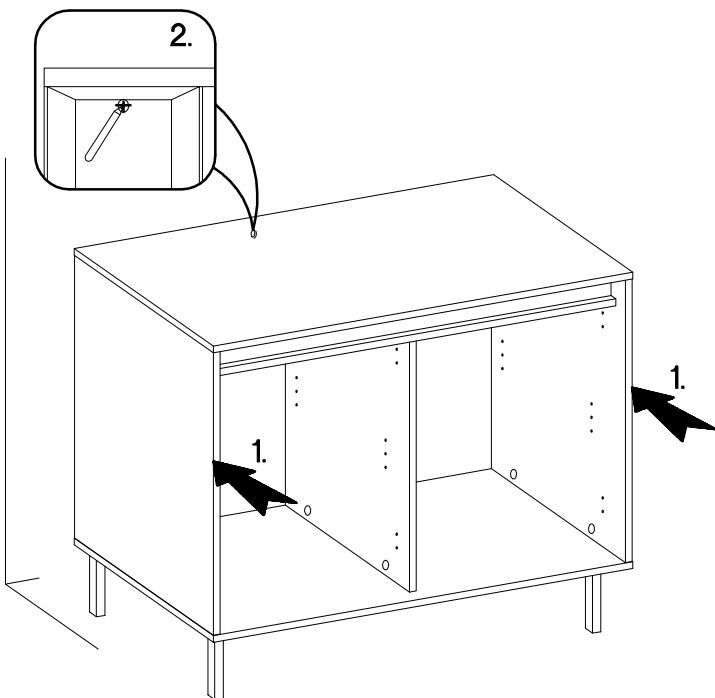


±3.0x20mm

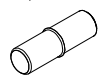
		
P7	L2	L
5	5	14

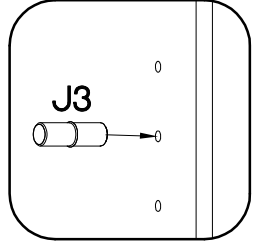
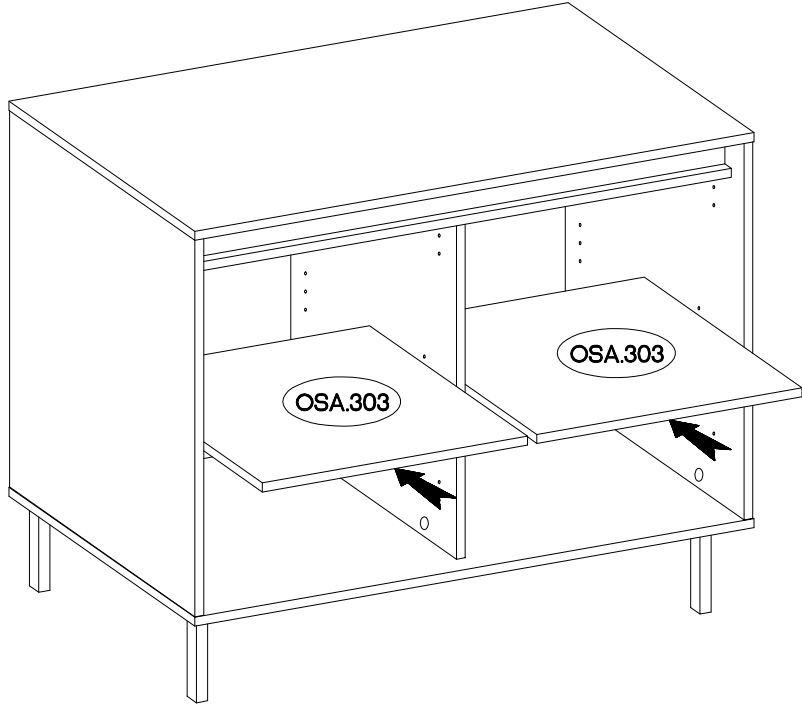


+10x50mm  O7 1	 L9 1	+3.5x13mm  P5 1
---	---	---

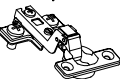



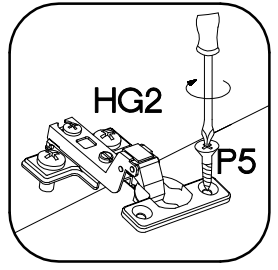
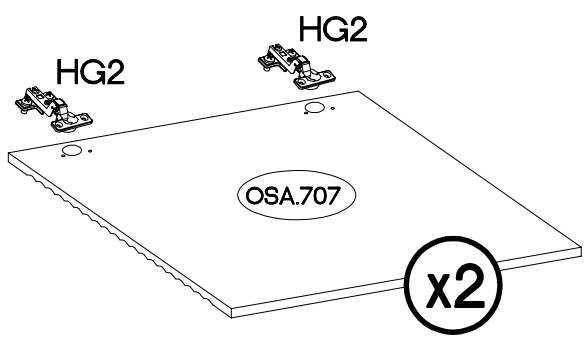
13

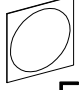

$\pm 5/16\text{mm}$

J3
8

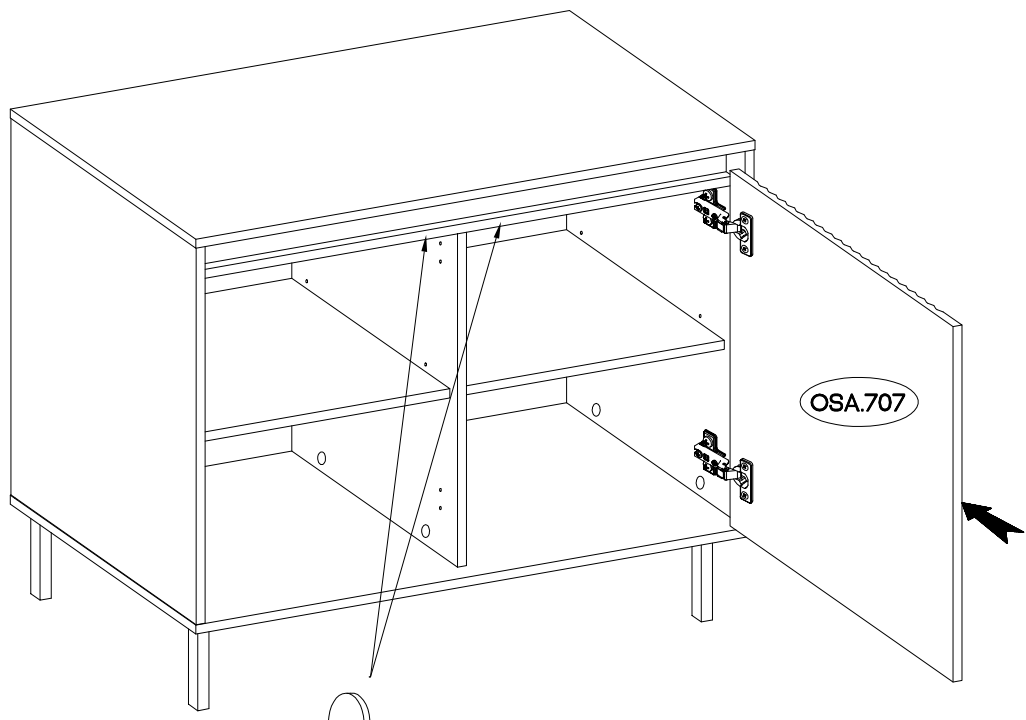
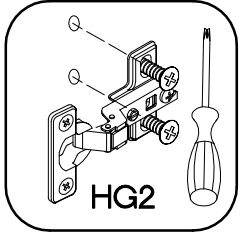


14

$\pm 35/16\text{mm}$	$\pm 3.5 \times 13\text{mm}$
	
HG2	P5
4	8



±20  E11 10	±7/2mm  J5 2
--	---



J5

