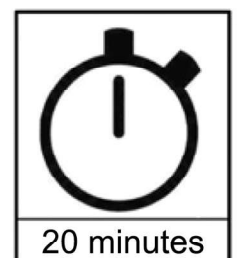
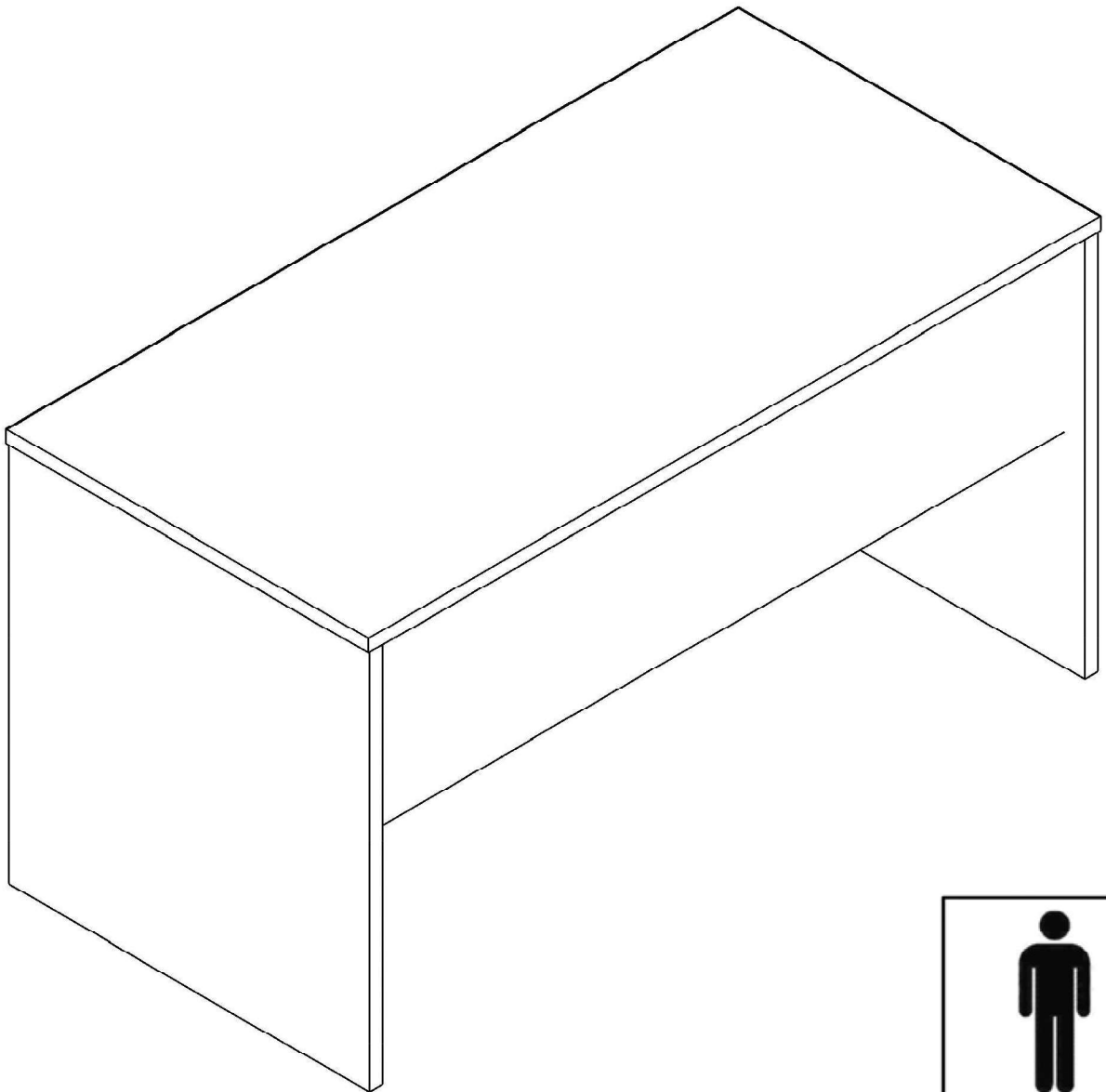
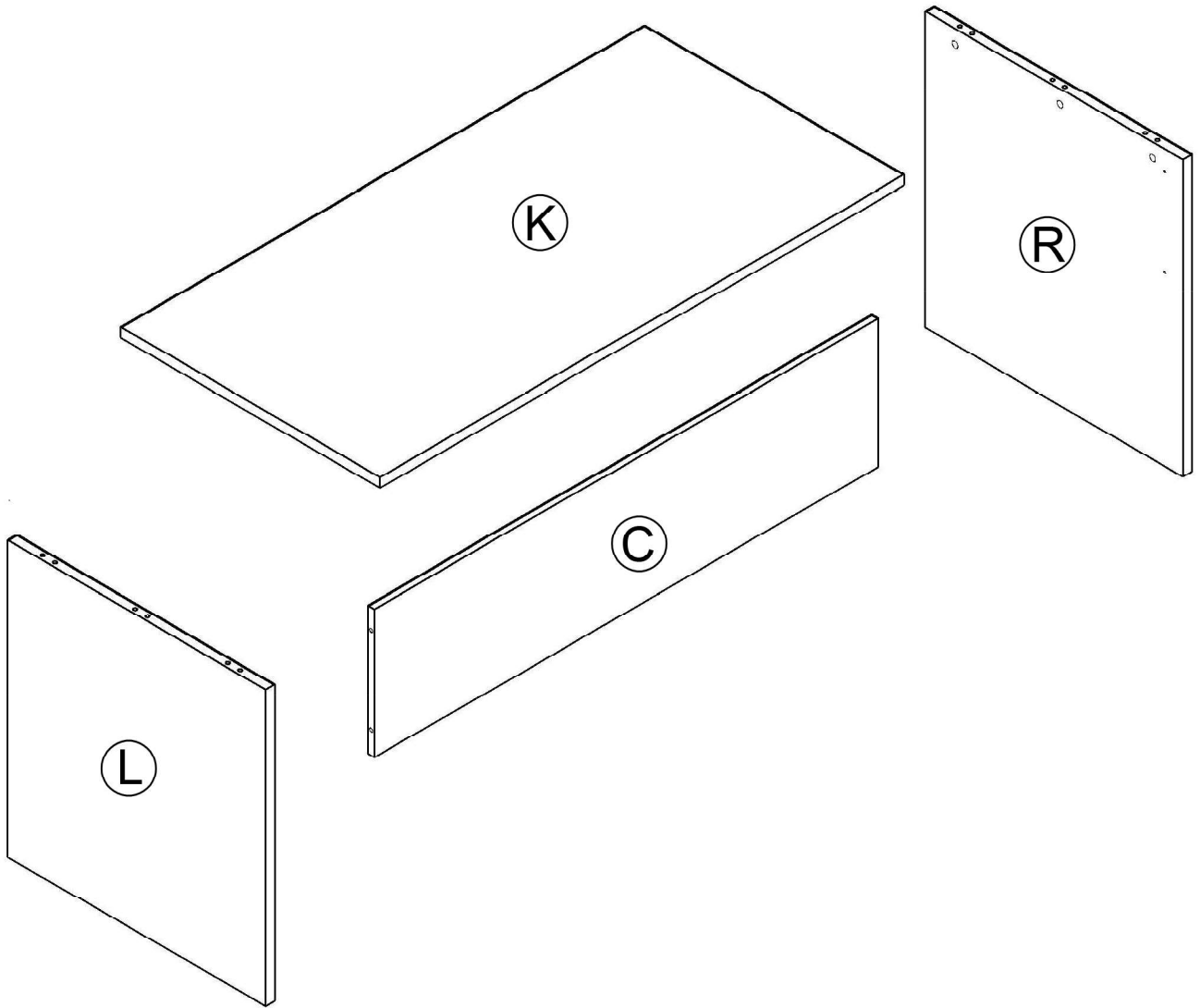
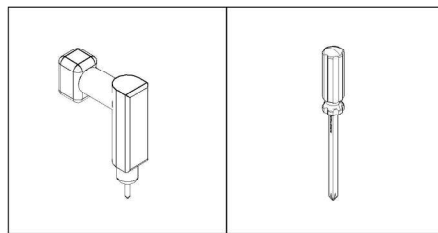




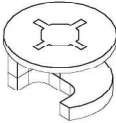
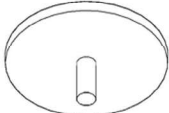

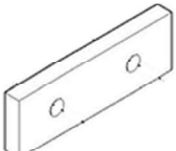
# GRK515



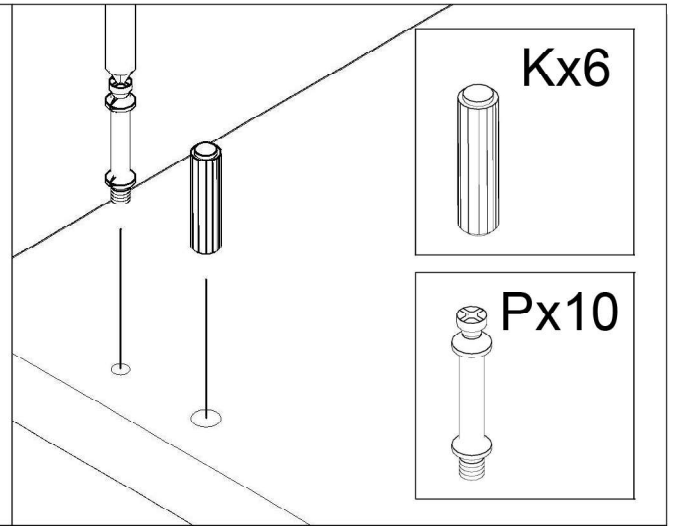
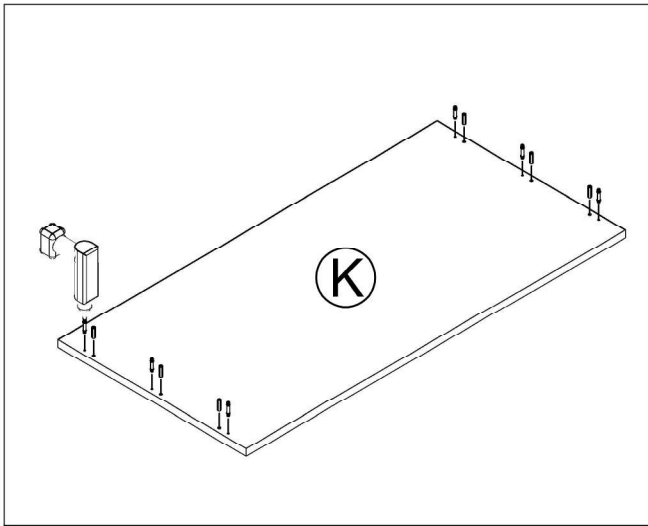


## USING TOOLS

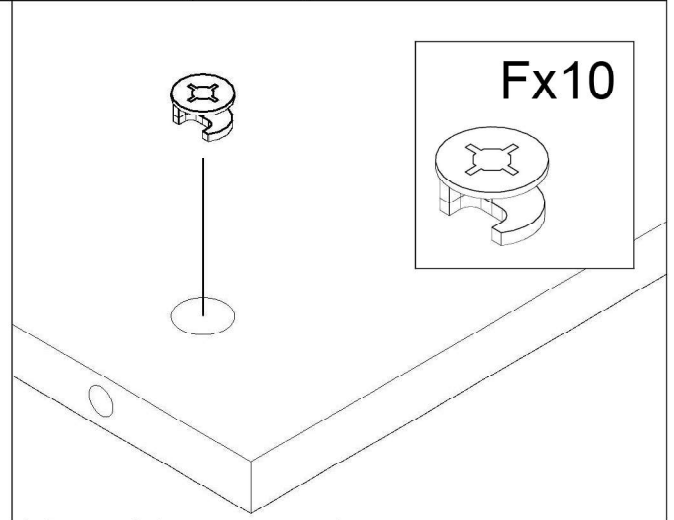
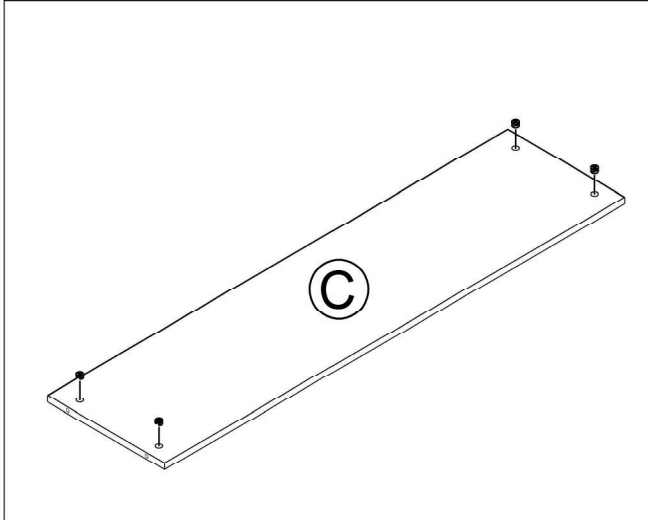


 <b>Px10</b>	 <b>Kx6</b>	 <b>Fx10</b>
 <b>TP x10</b>	 <b>4.0*20</b> <b>Bx8</b>	 <b>BAP x 4</b>

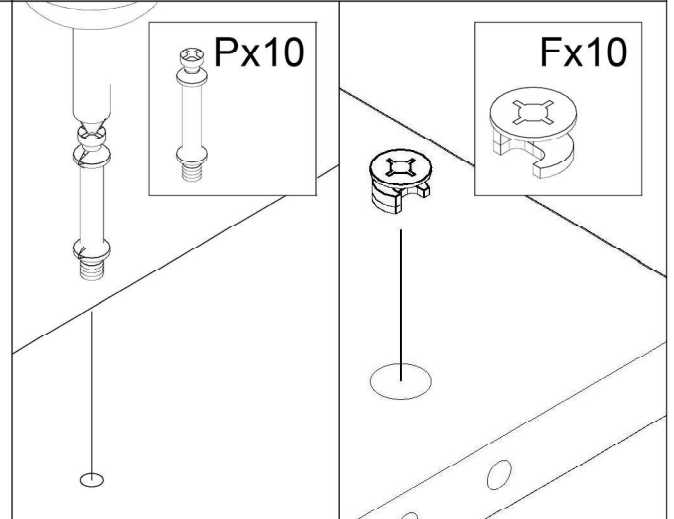
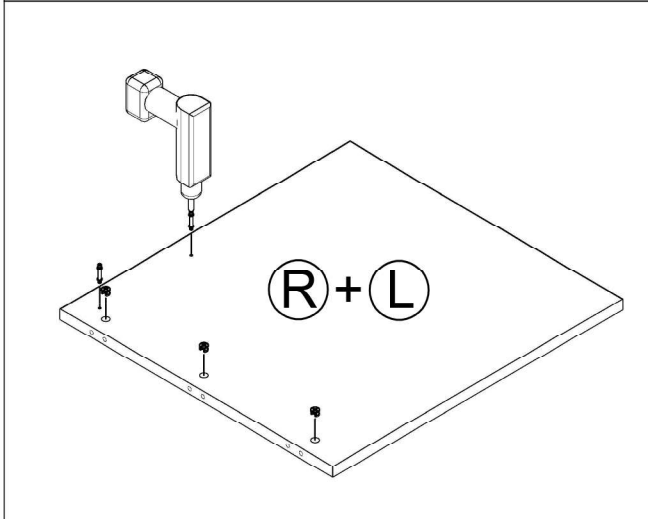
1



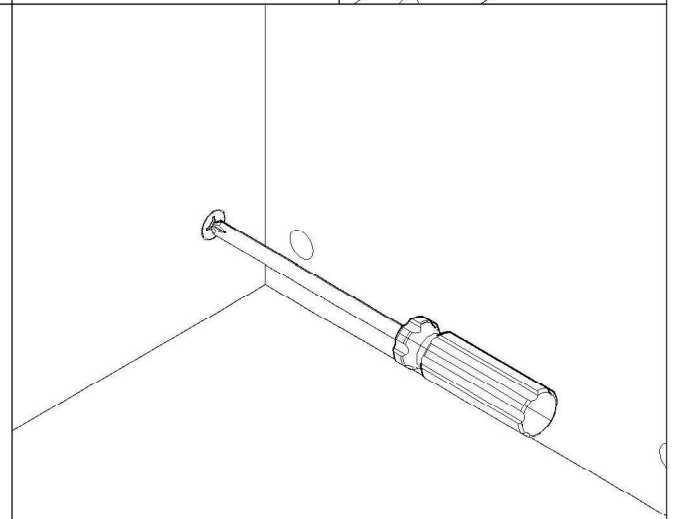
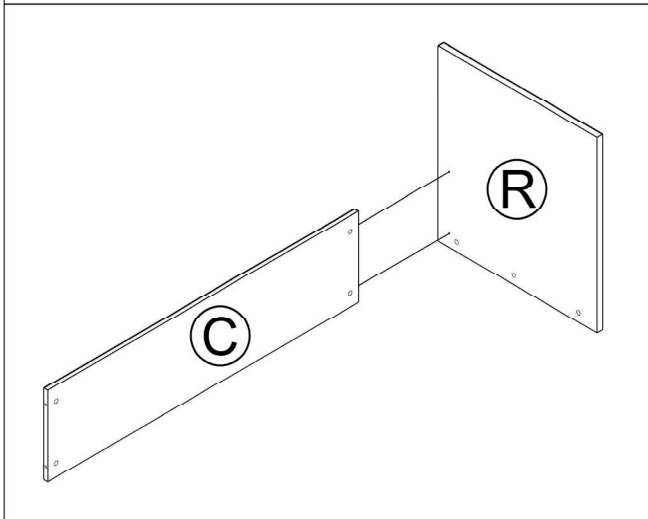
2



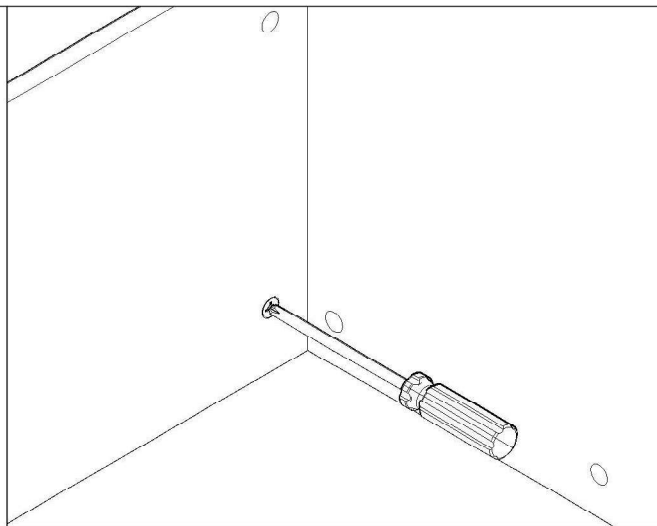
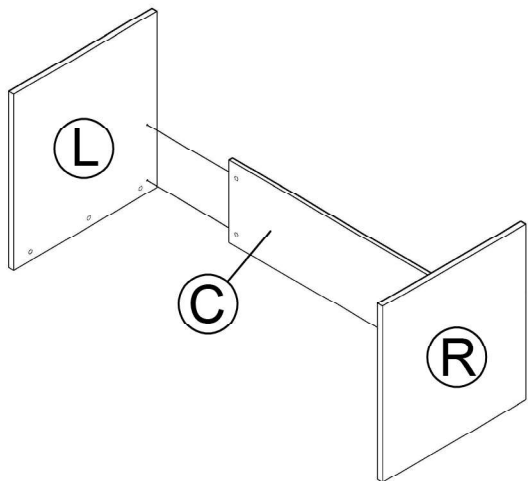
3



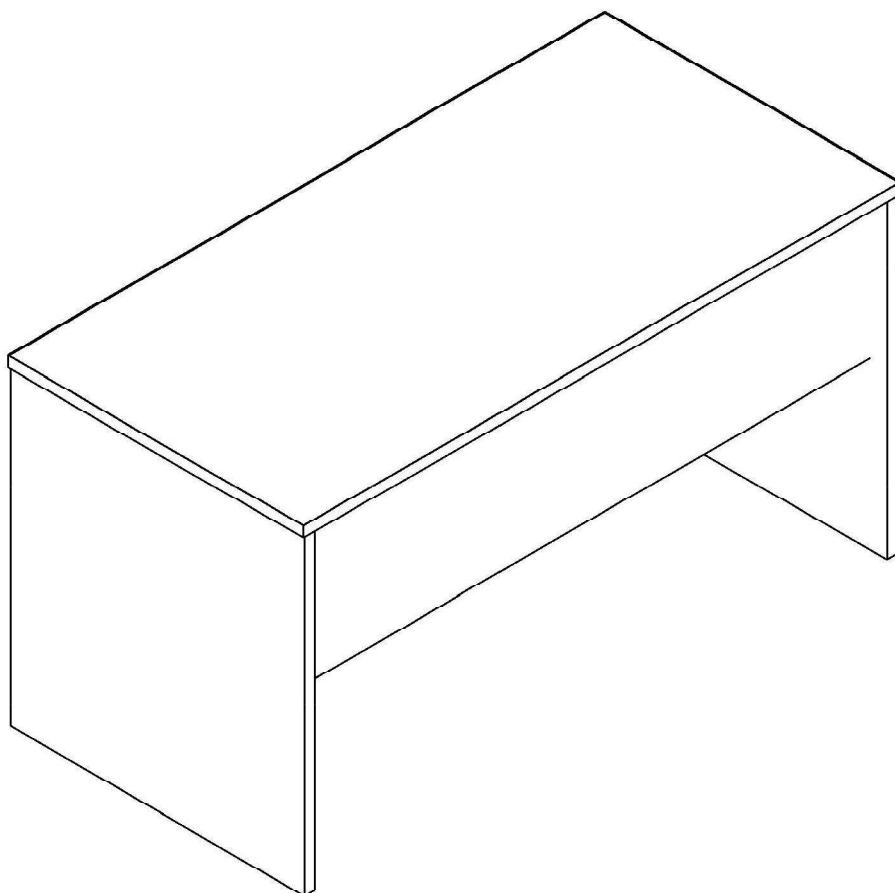
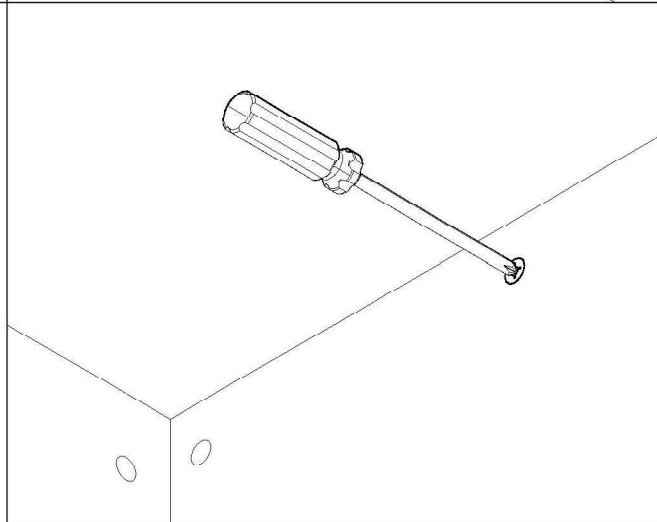
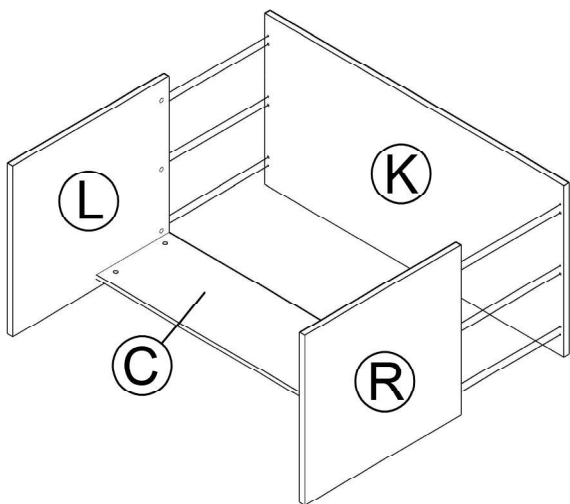
4



5



6



**PLASTIC COVER CAPS FOR SCREWS**

