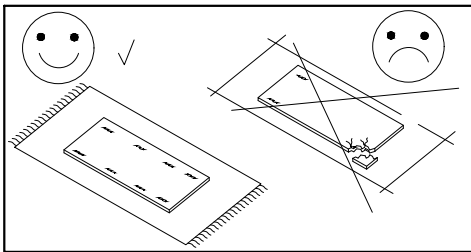
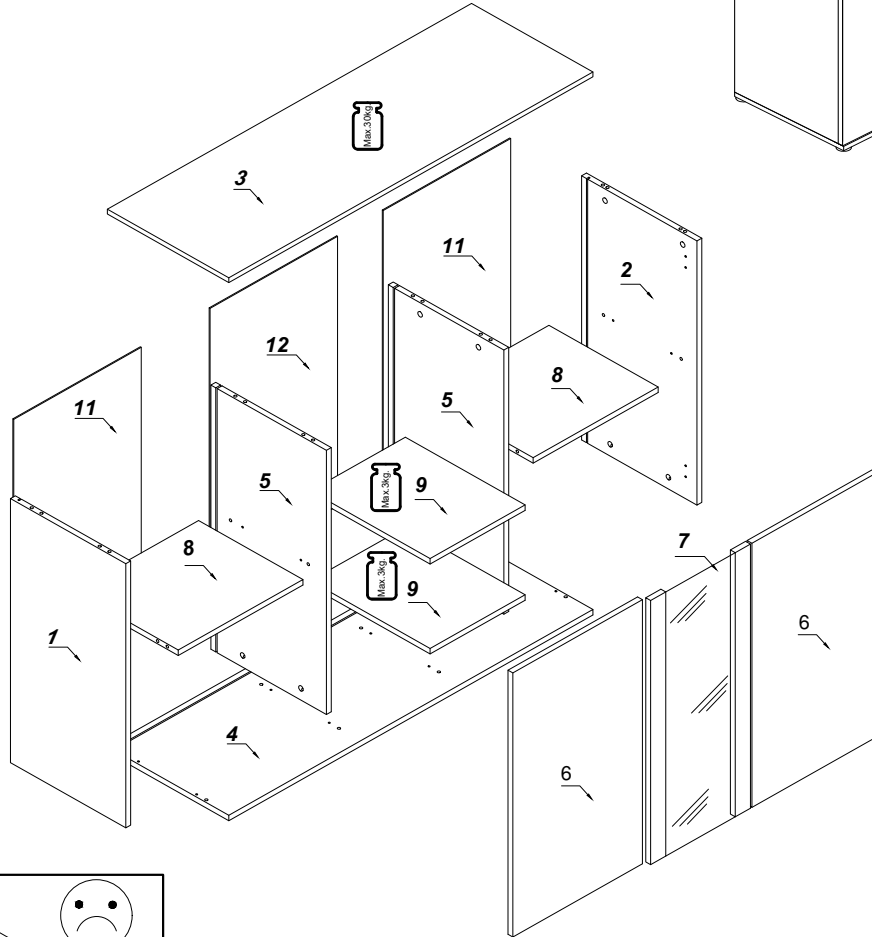
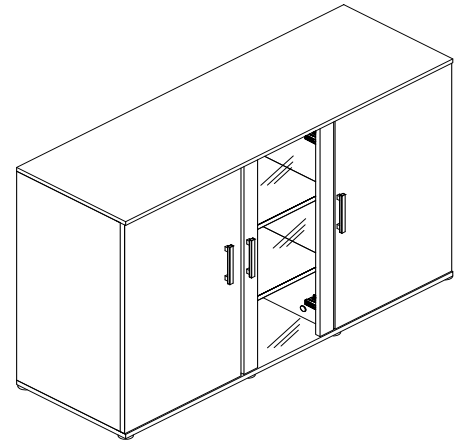
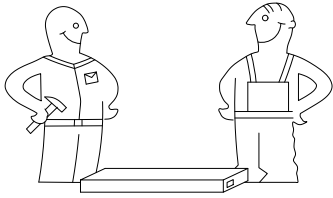
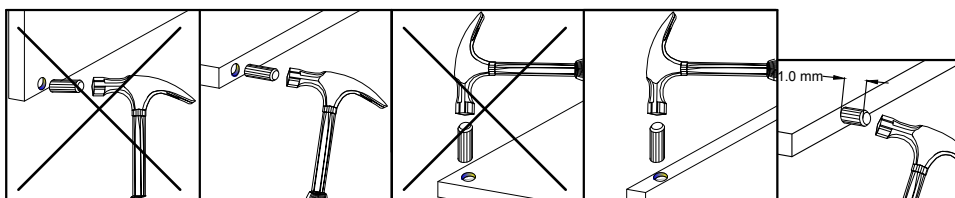
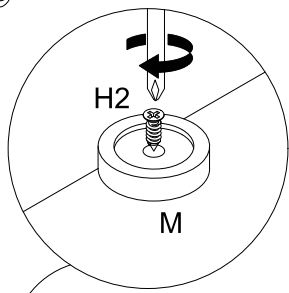
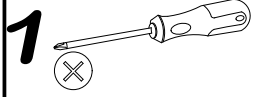


# SOHO S7

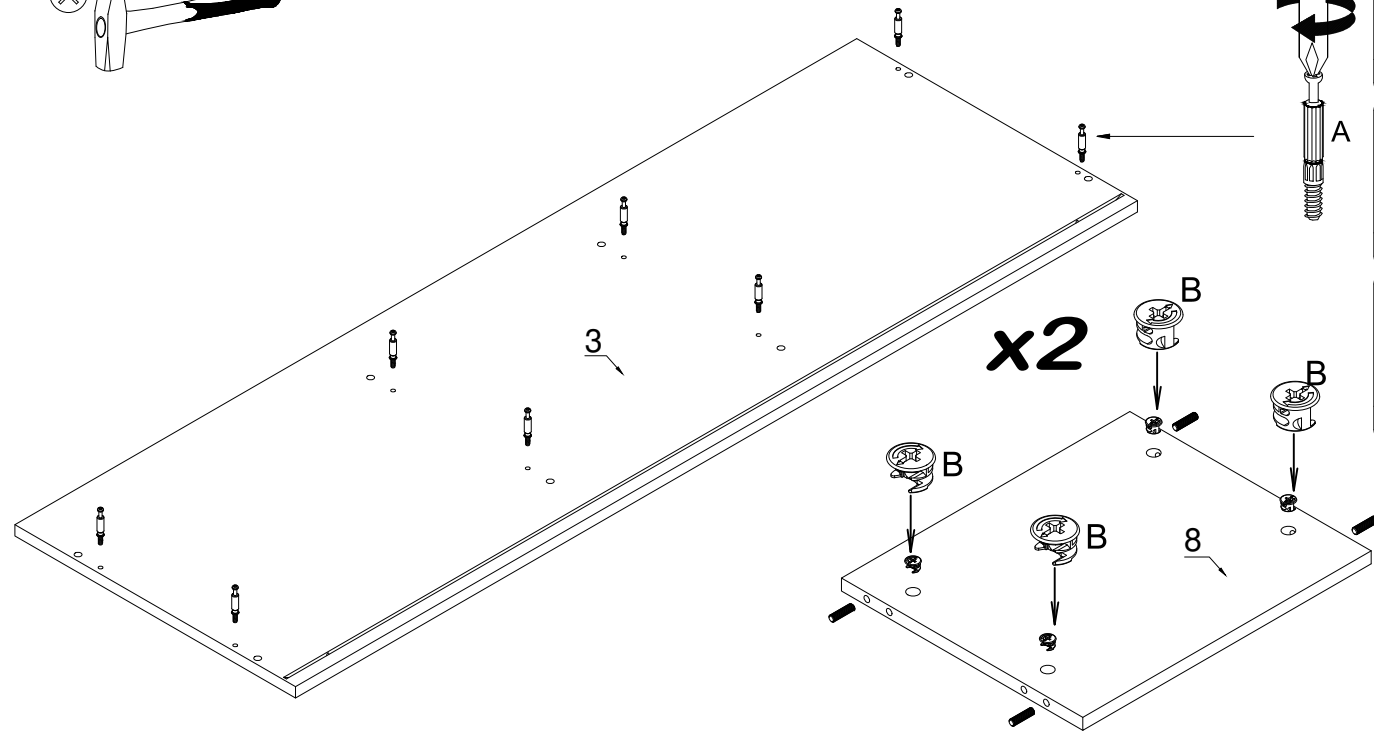
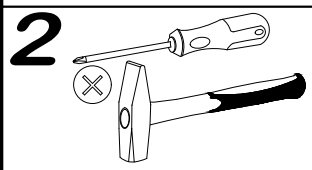
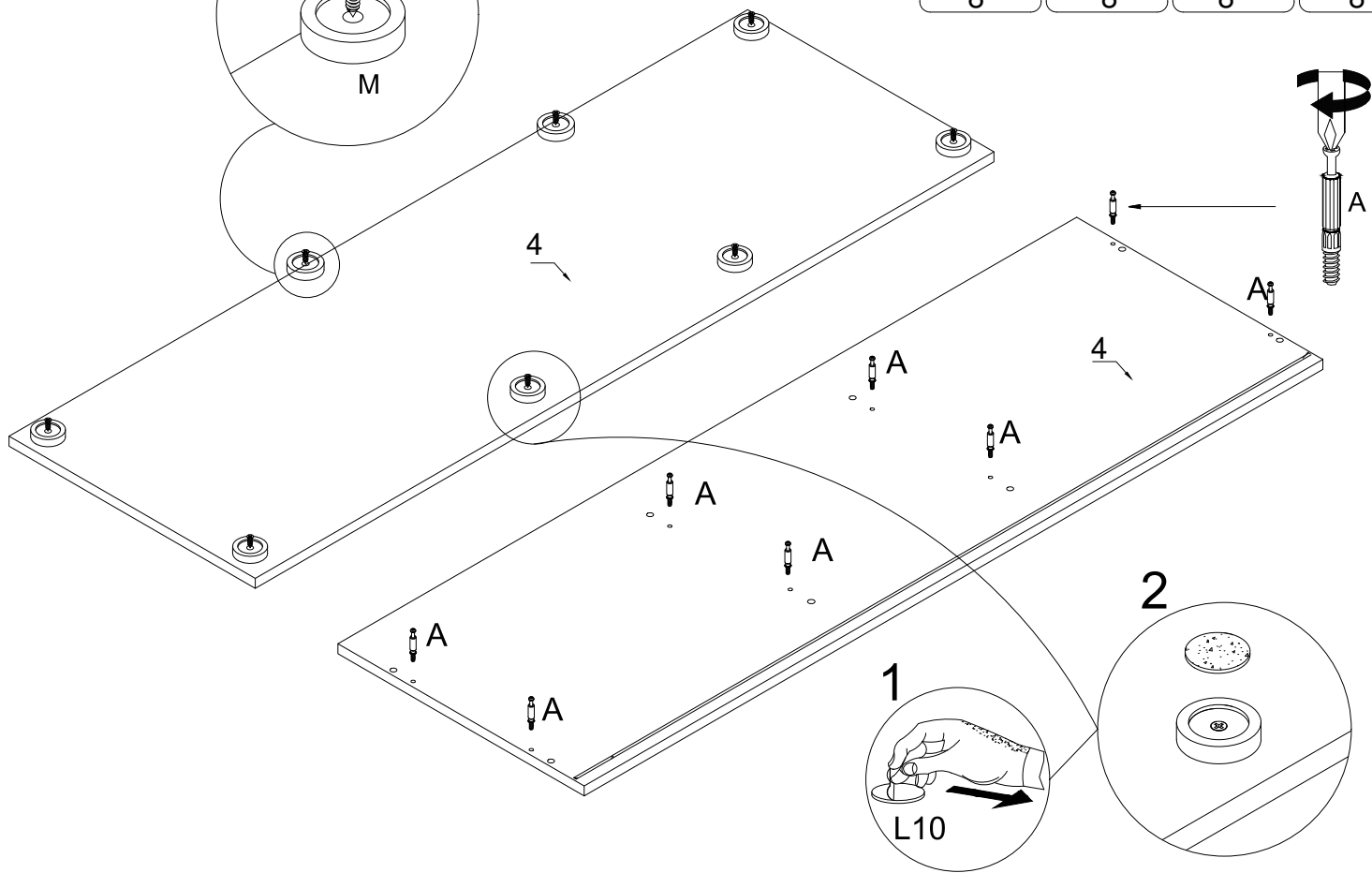


8.0x30  D 24	4.0x27  G 6	 A 24	Ø15x12  B 24	 X 24	 S 8	 M 8	4.0x20  H2 8	Ø 8.0  X3 2
 I 12	 Z 4	 L 6	"9"  Z1 2	4.0x16  H 12	 F 3	 L10 8		

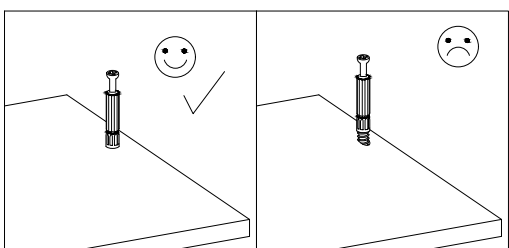




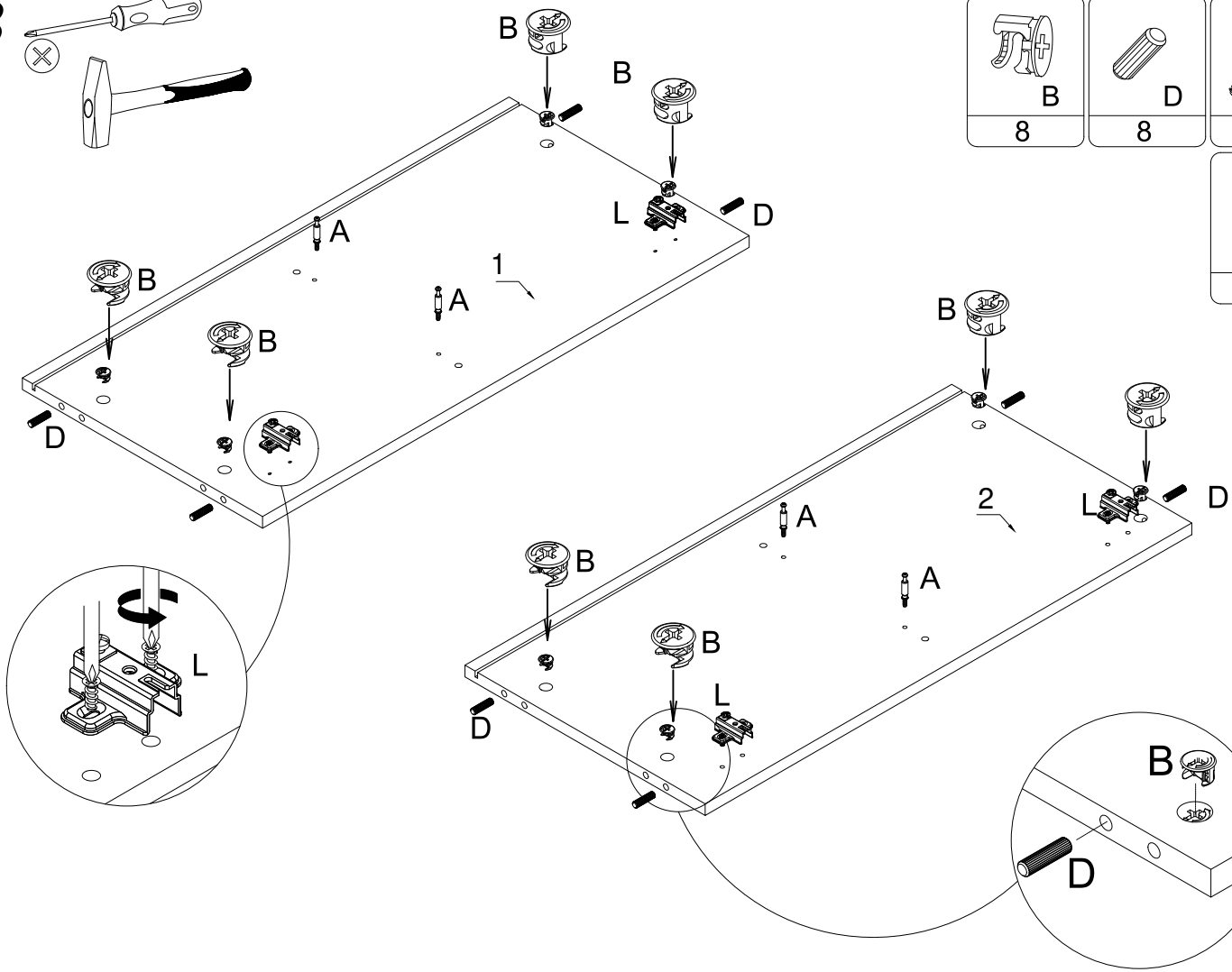
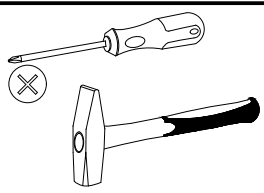
A	H2	M	L10
8	8	8	8



	A
8	
	B
8	
	A
8	

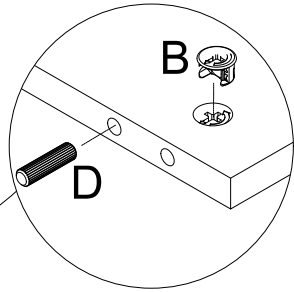
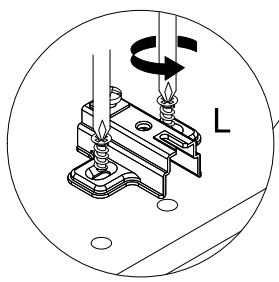


3

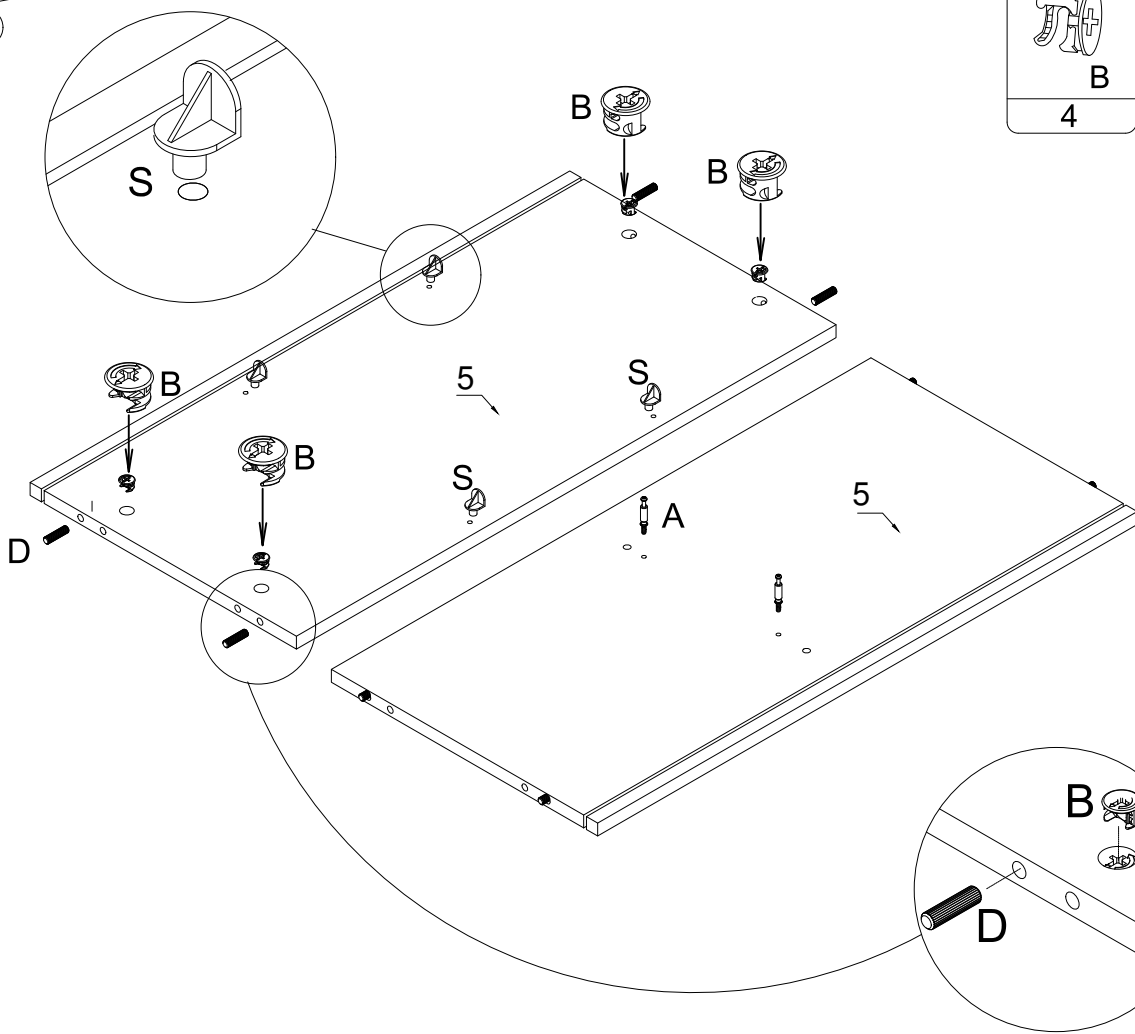
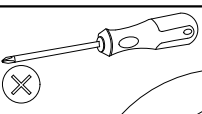


B	D	A
8	8	4

L
4

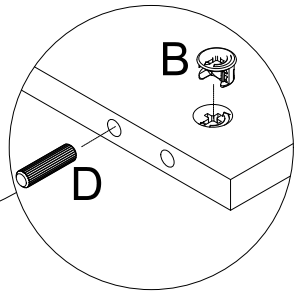
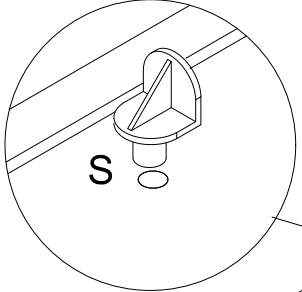


4

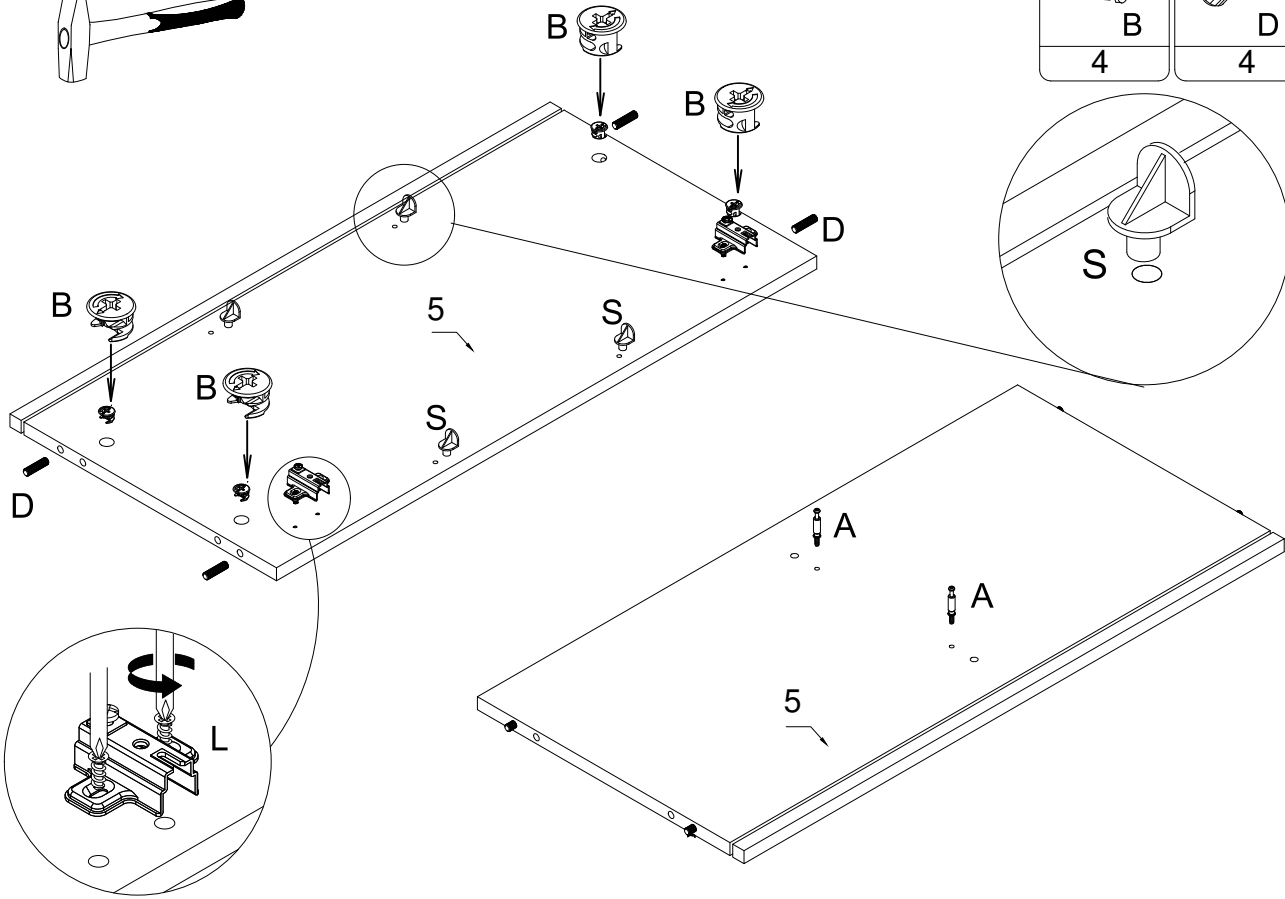
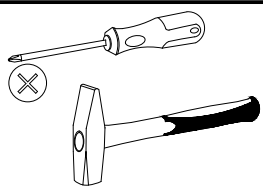







B	D	A
4	4	2

S
4

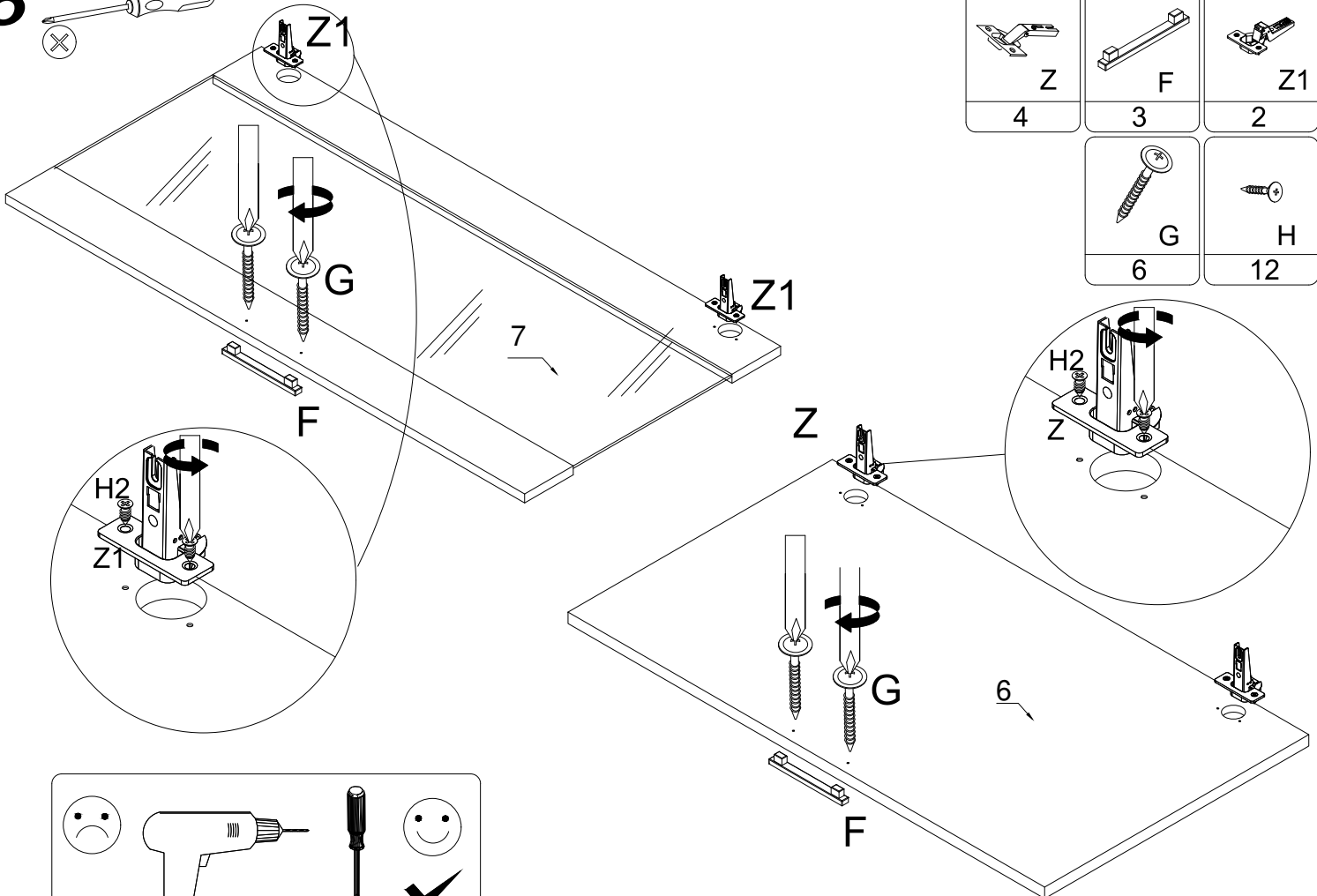
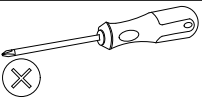


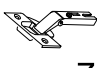
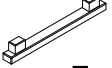


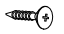
5

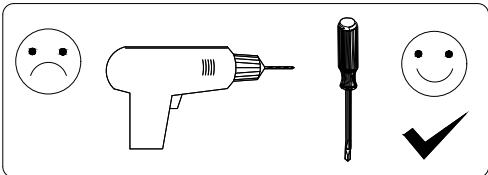


 B 4	 D 4	 A 2
 L 2		
 S 4		

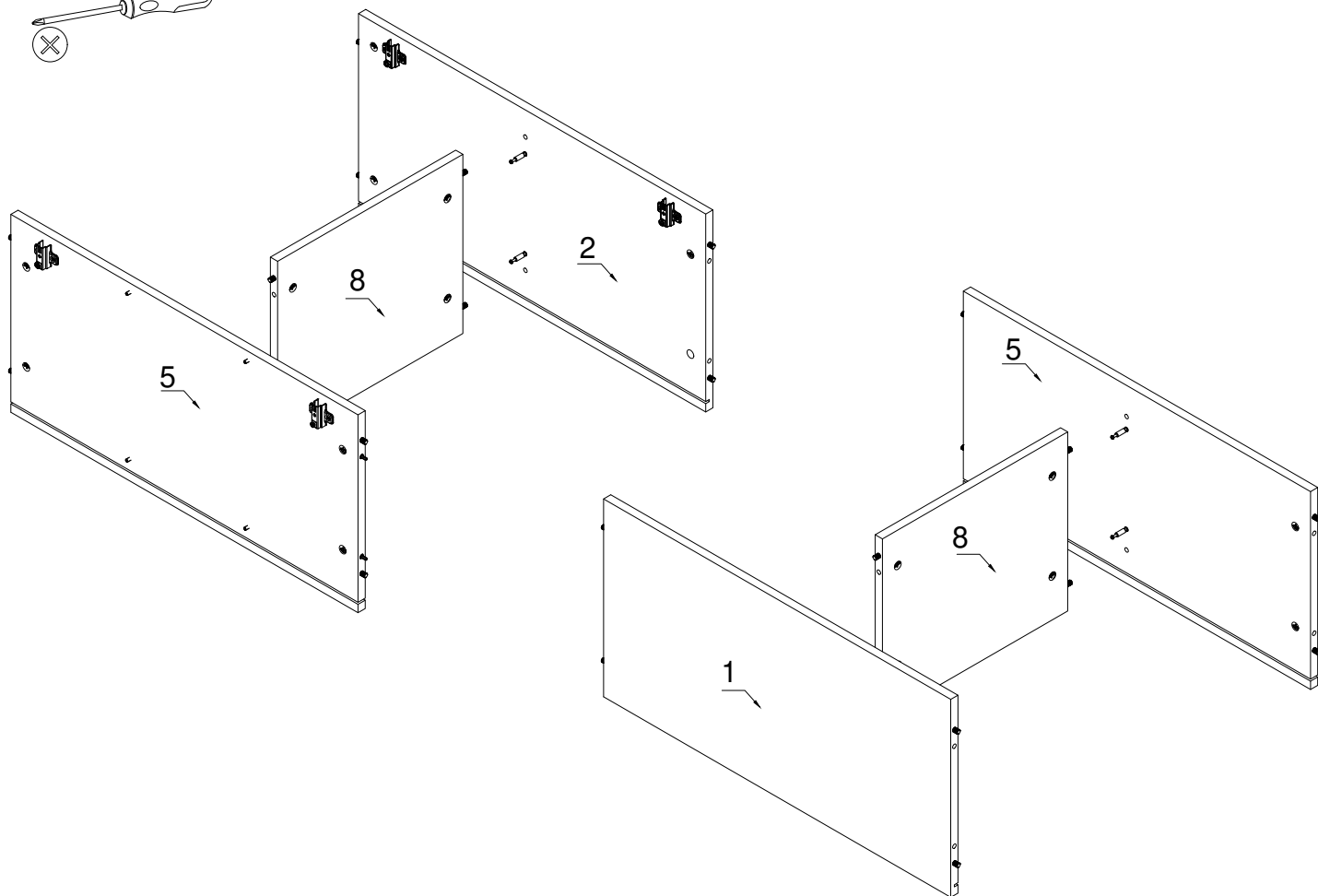
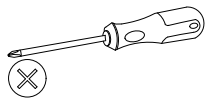
6



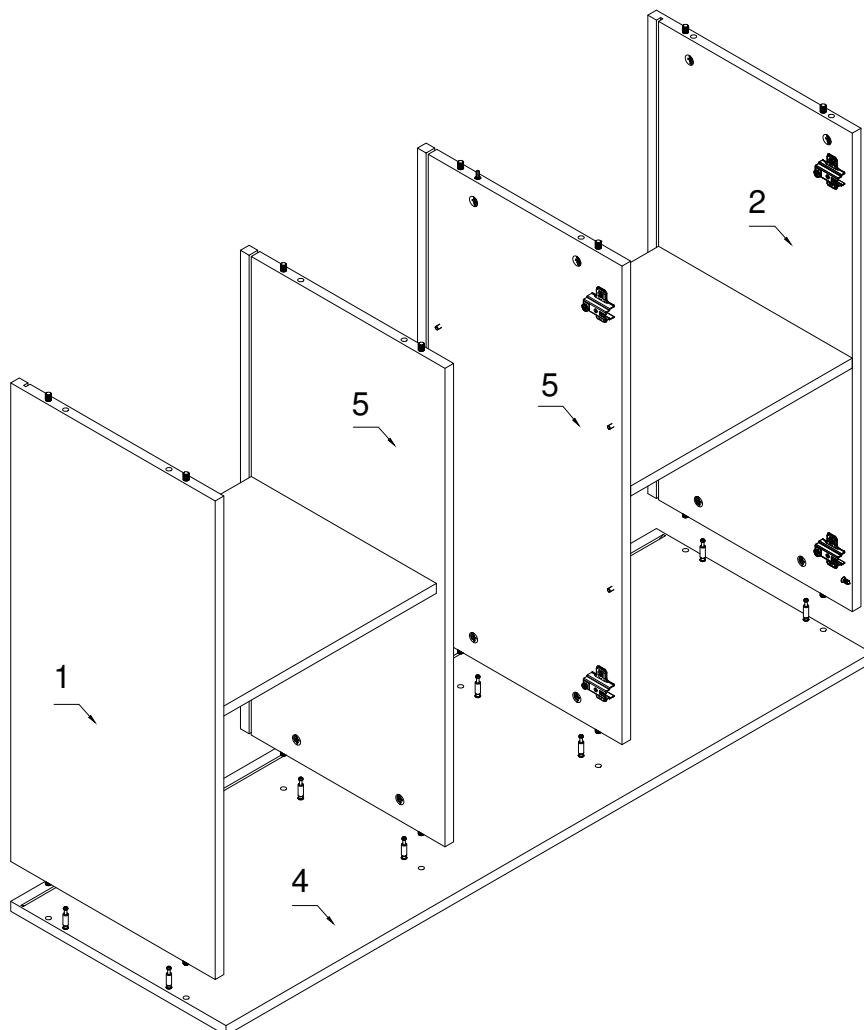
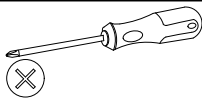
 Z 4	 F 3	 Z1 2
 G 6		
 H 12		



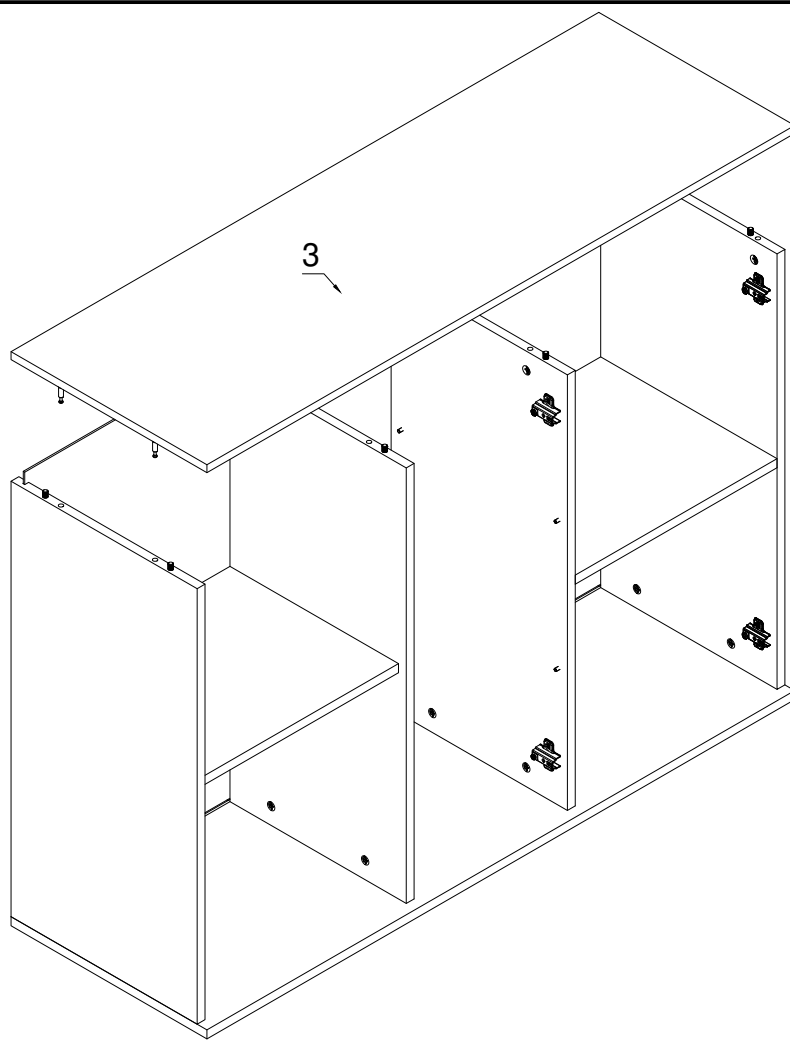
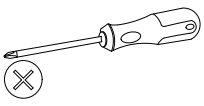
7



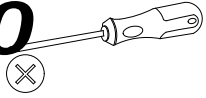
8



9

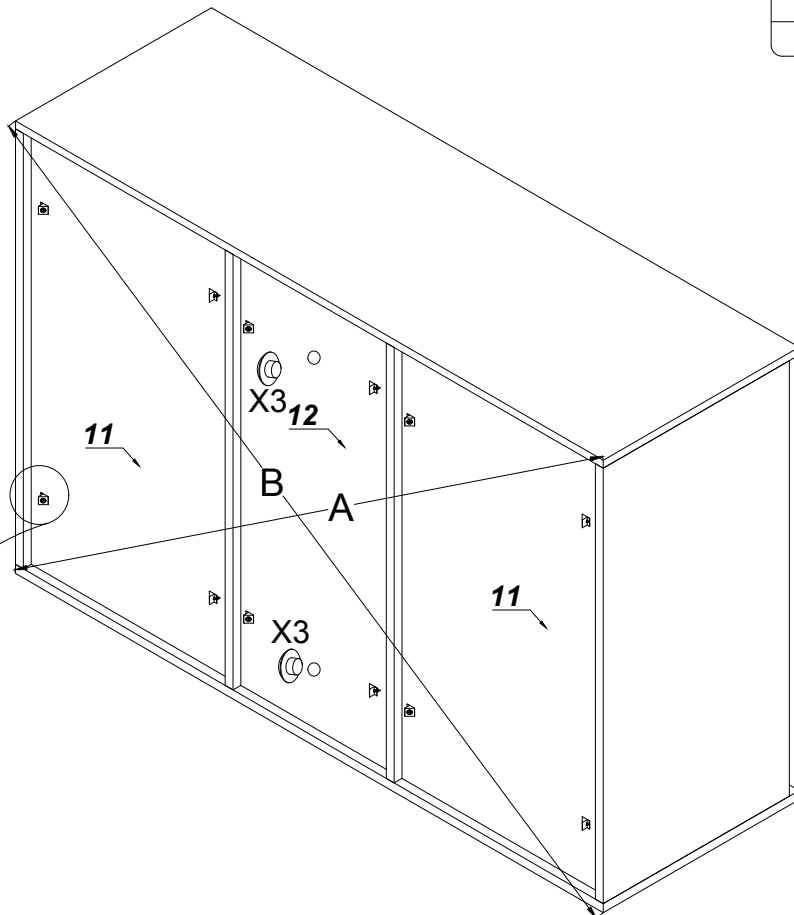
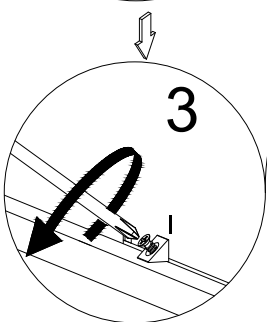
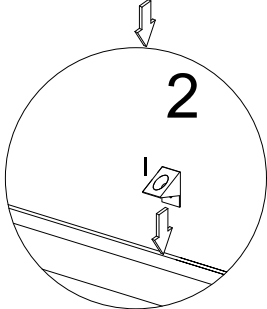
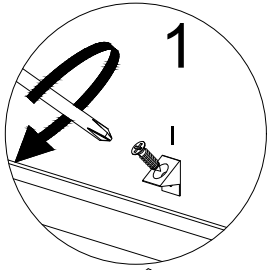


10



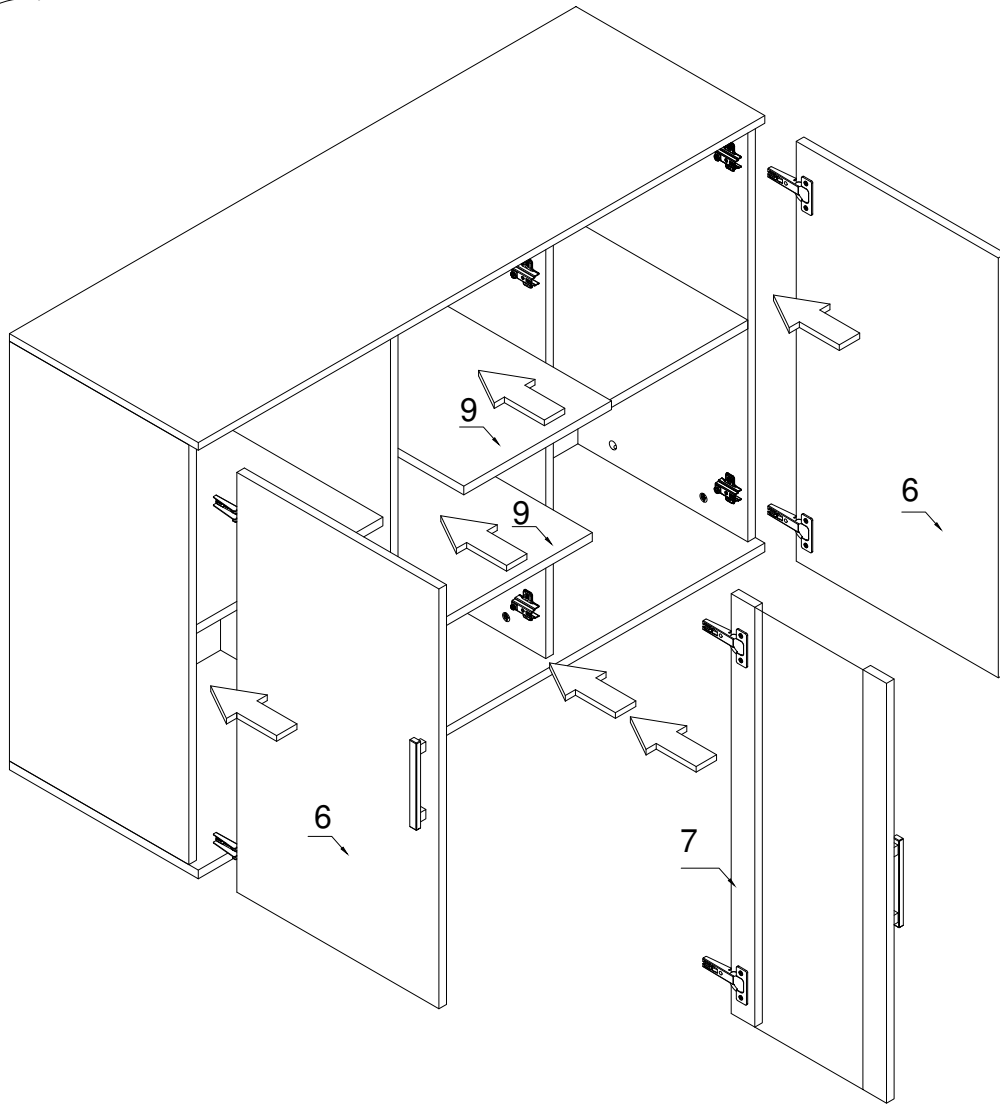
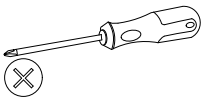
X3	1
2	6

X3	1
2	6



**A=B**

# 11



# 12

