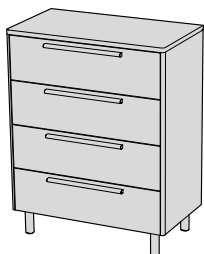


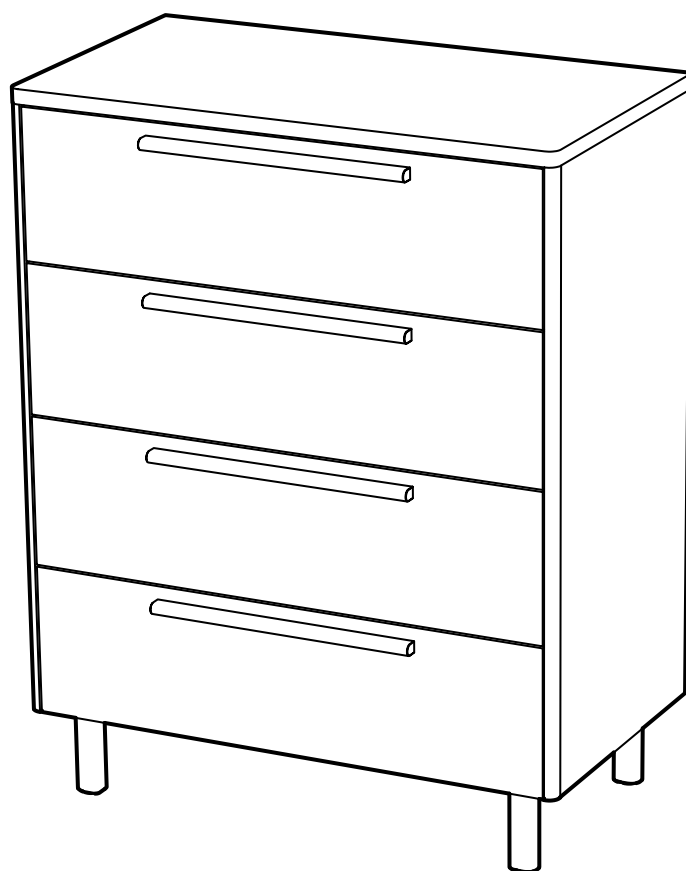
# WELL



4024244\_001



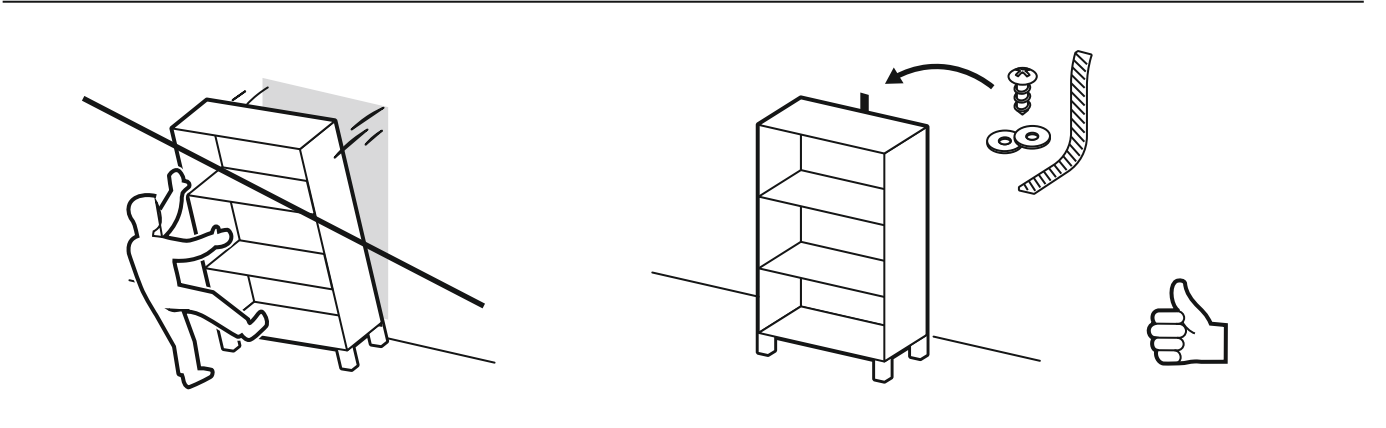
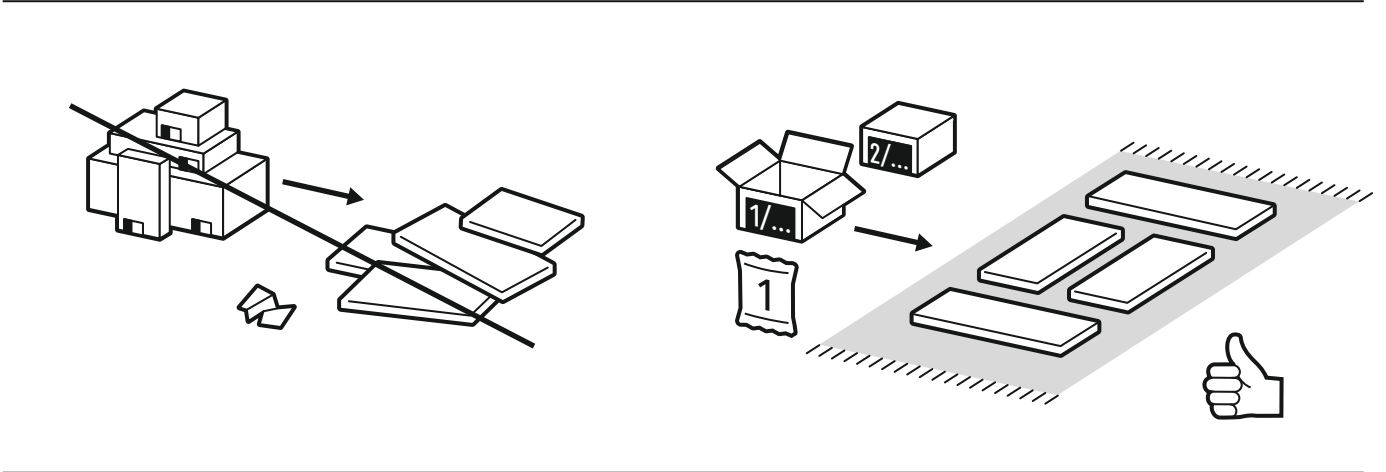
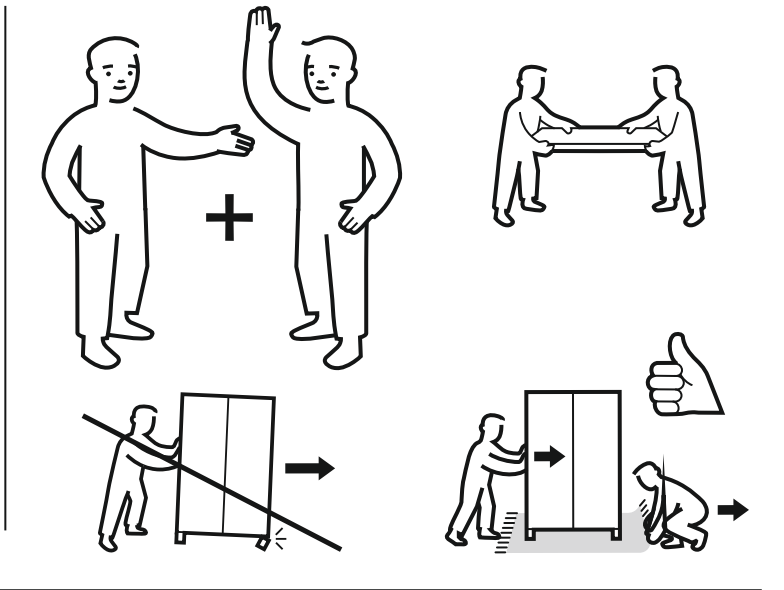
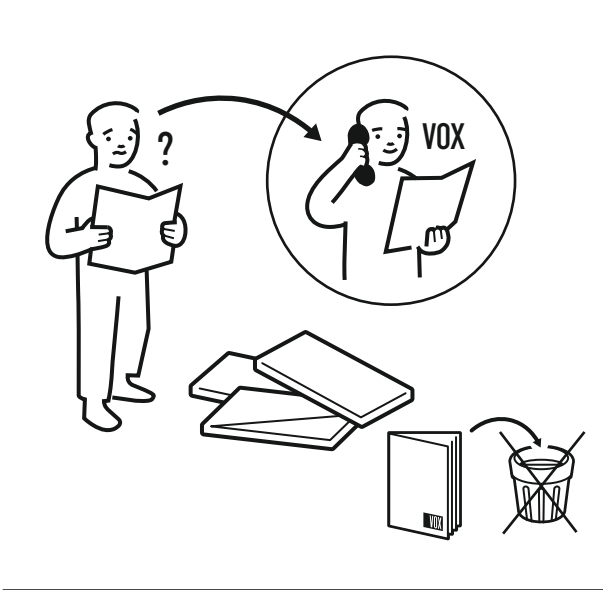
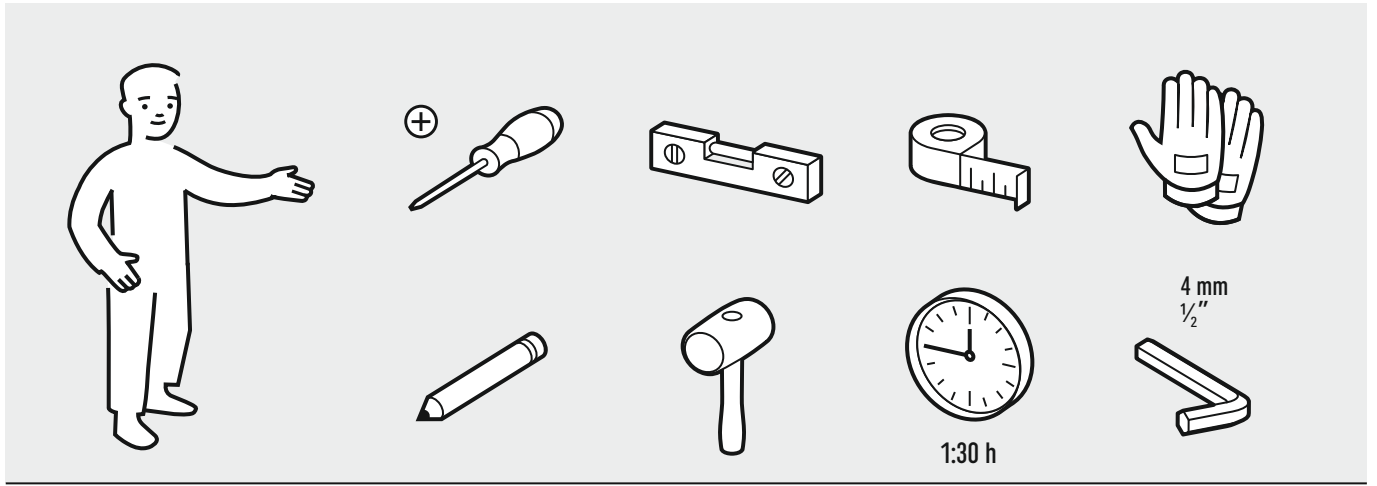
83 x46 x105 cm  
32 ¾ x18 x41 ½"

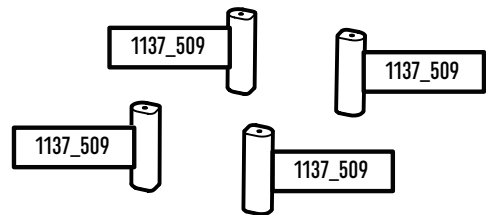
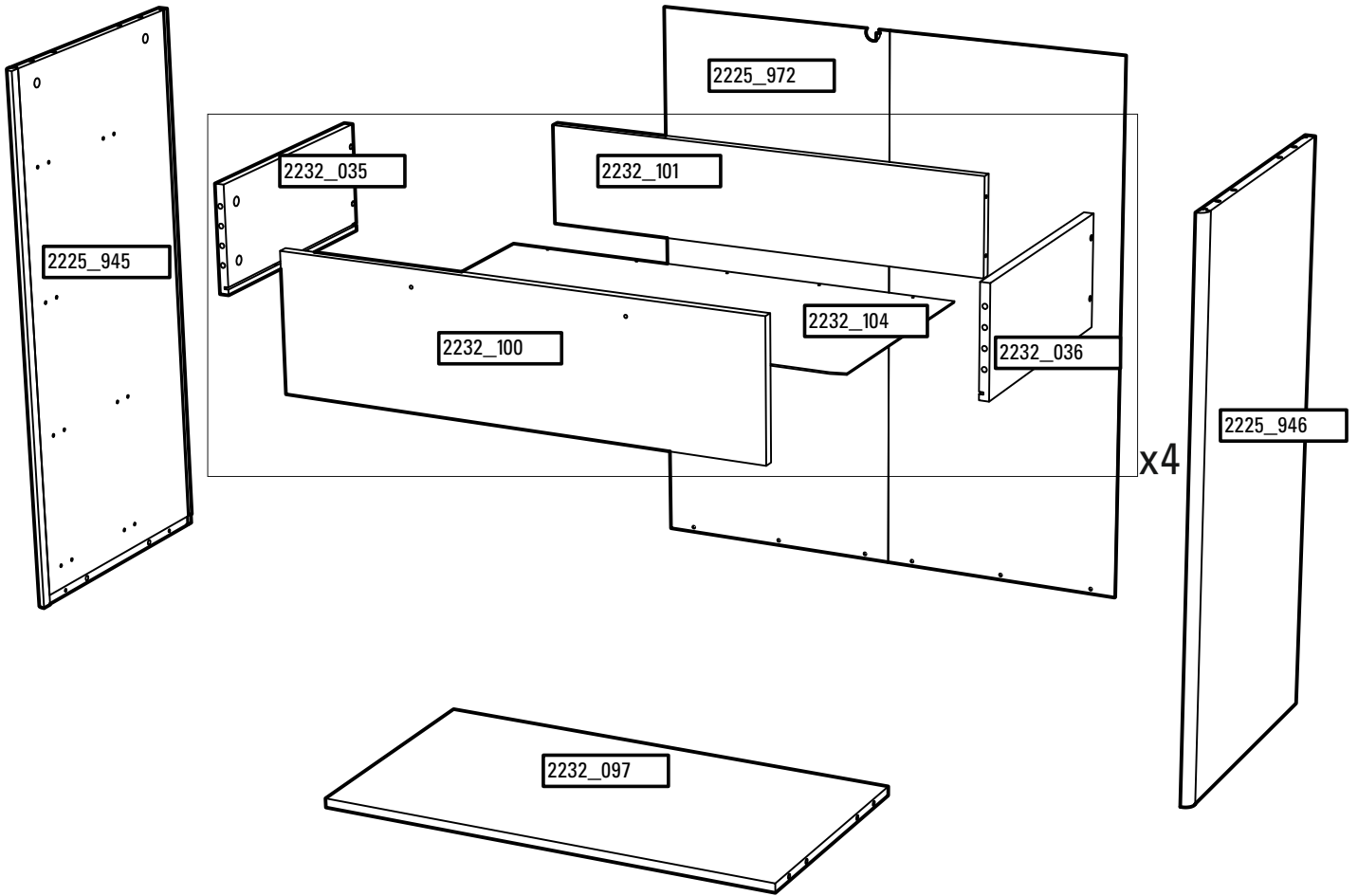


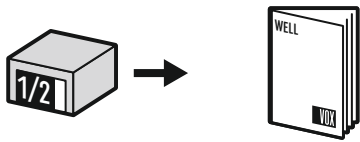
PL • vox.pl

EU • voxfurniture.com

US • voelkelcorp.com

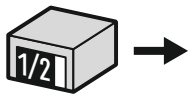






1137\_509 x4

2225\_946 x1

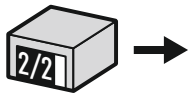


2232\_101 x4

2225\_972 x1

2232\_096 x1

2225\_945 x1



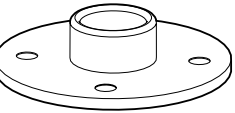
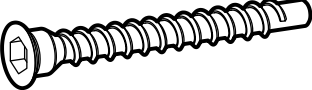

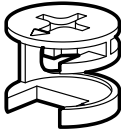


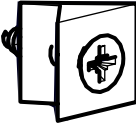
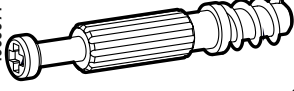
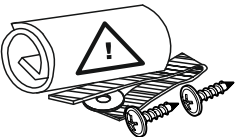
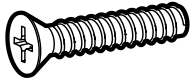


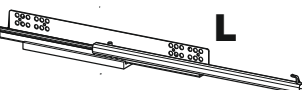
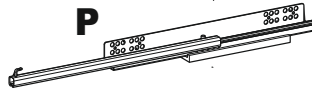


2232\_104 x4

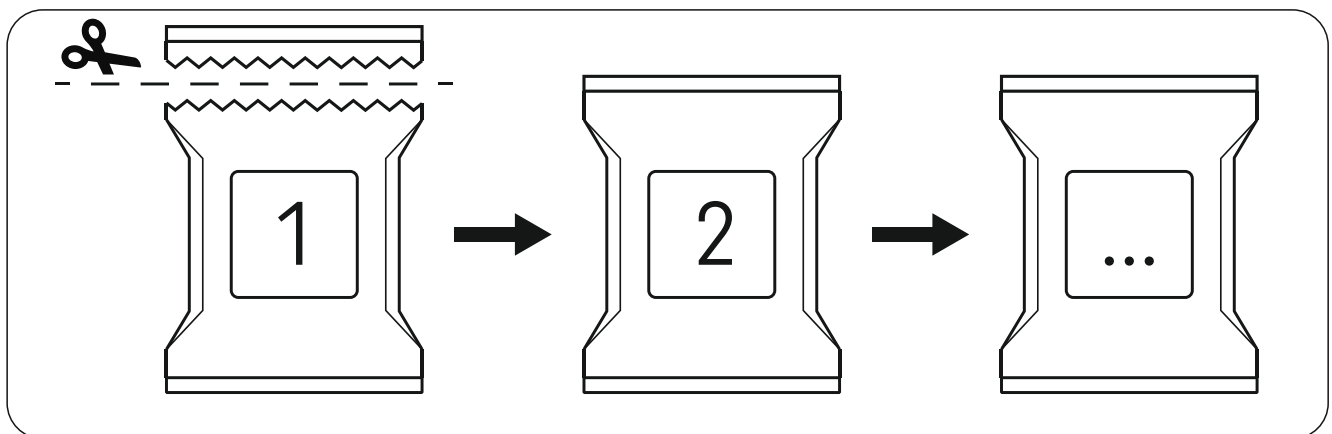
2232\_035 x4

2232\_100 x4


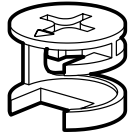
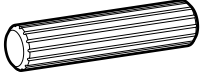
2232\_097 x1

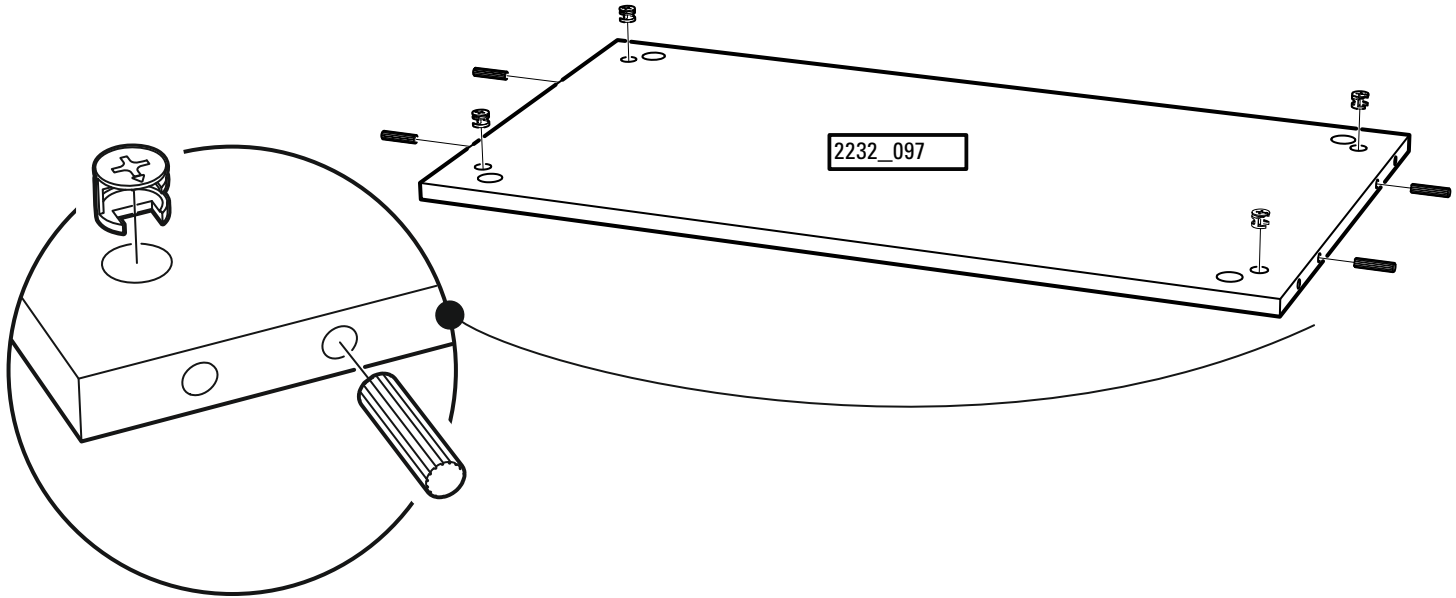
2232\_036 x4

1101311  x 4	1005876  x 16	1005857  x 24	1005990  x 24
1005681  x 16	1120368  x 4	1006022  x 8	1006091  x 24
1000893  x 1	1005907  x 8	1006012  x 34	1002152  x 4
1000994  x 4	1000994  x 4	1005713  x 32	
1137821  x 4			


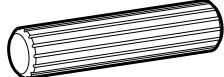
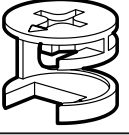
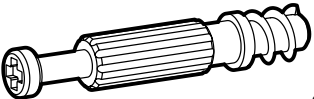

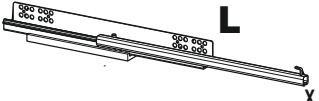


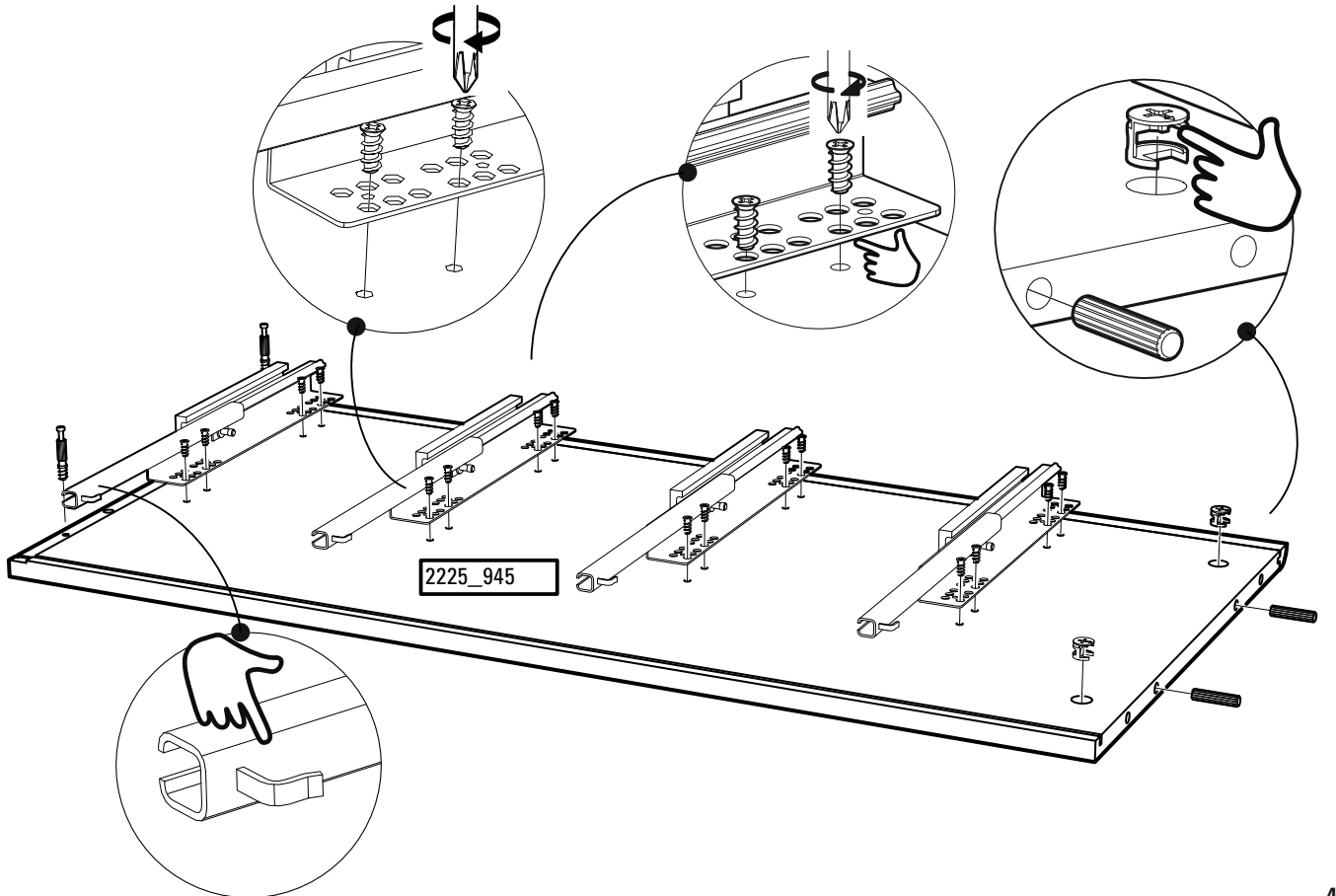
1

	1005990		x 4	1005857		x 4
--	---------	--	-----	---------	---	-----



2

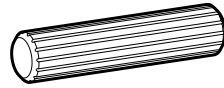
	1005857		x 2	1005990		x 2		
1006091		x 2	1005713		x 16	1000994		x 4



3

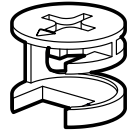
1

1006857



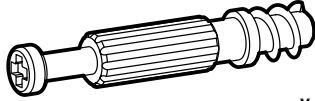
x 2

1006990



x 2

1006091



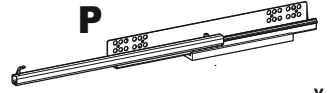
x 2

1005713

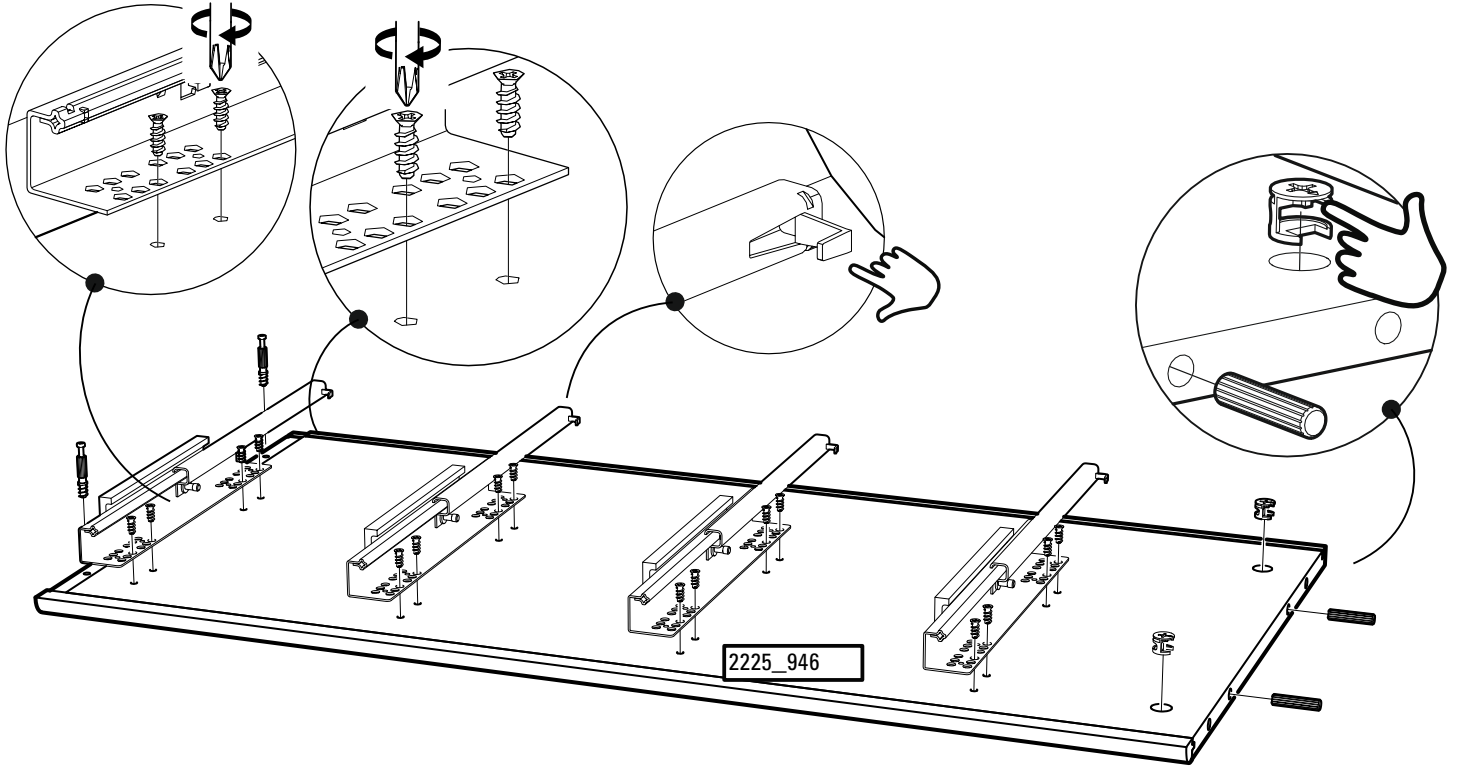


x 16

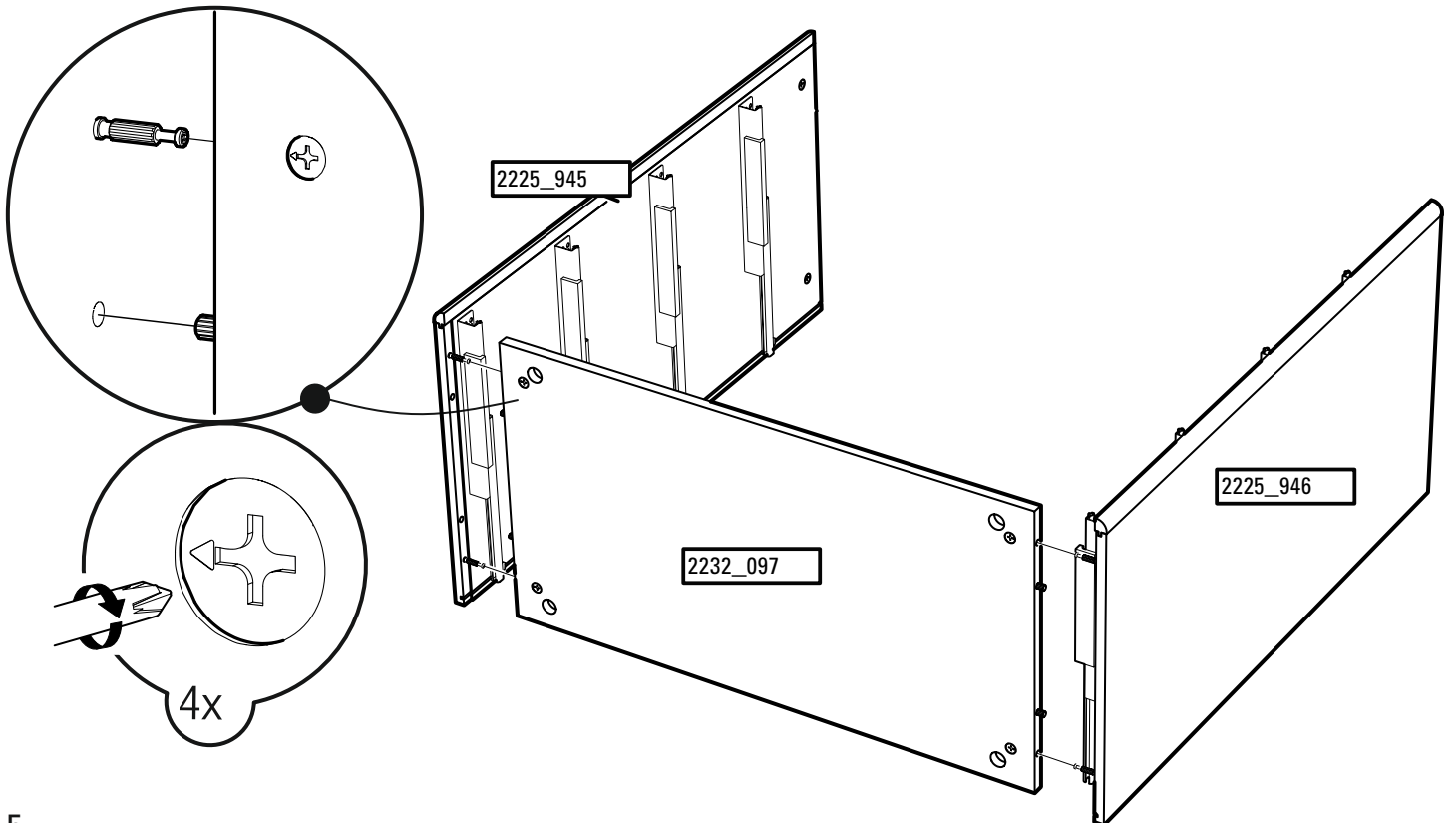
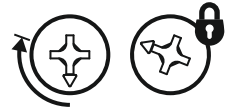
1000994



x 4



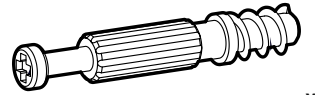
4



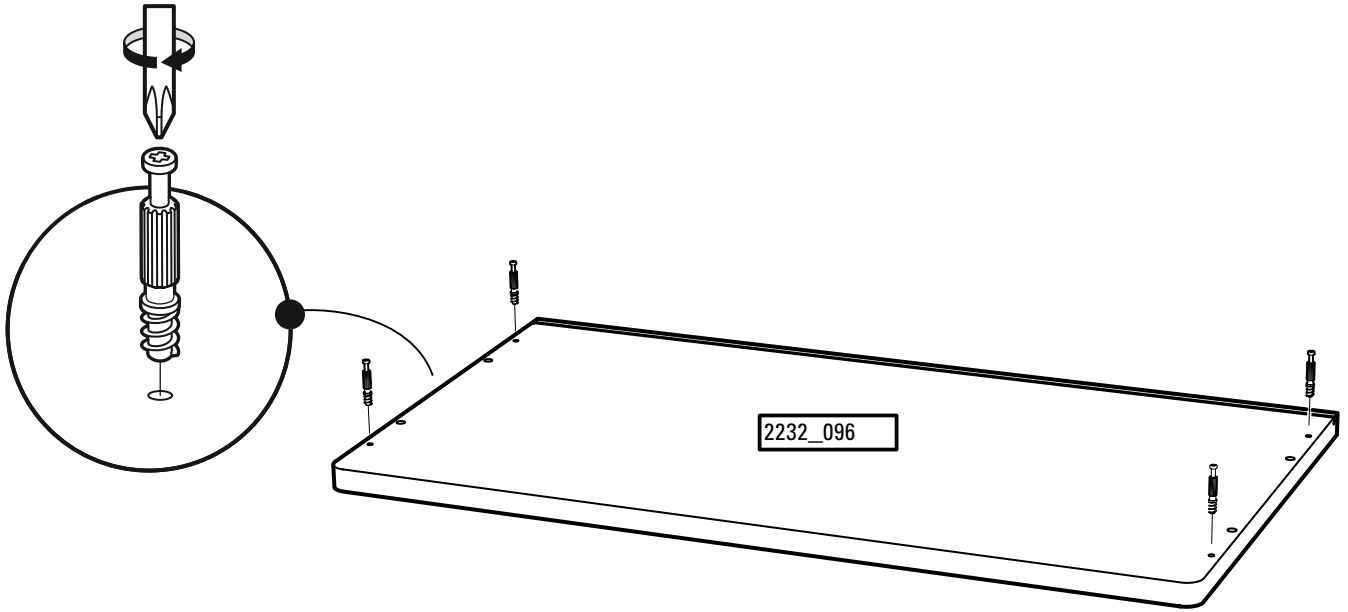
5

1

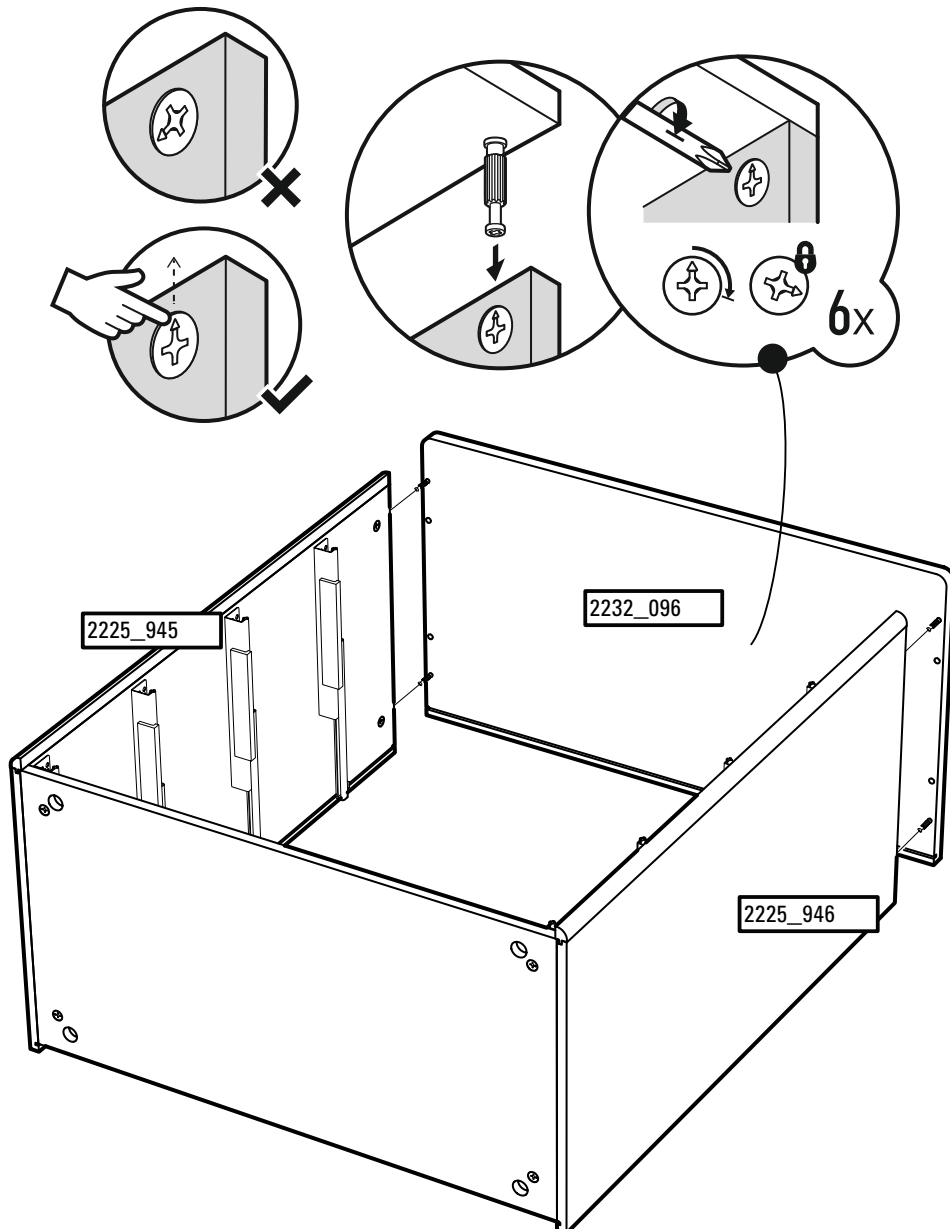
1006091



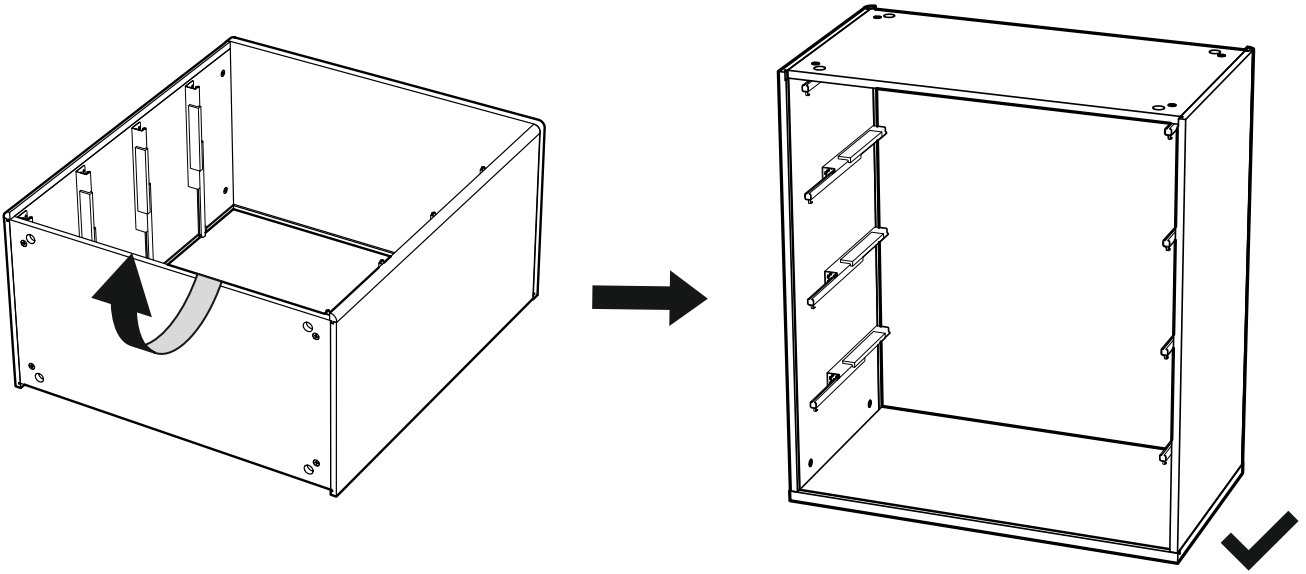
x 4



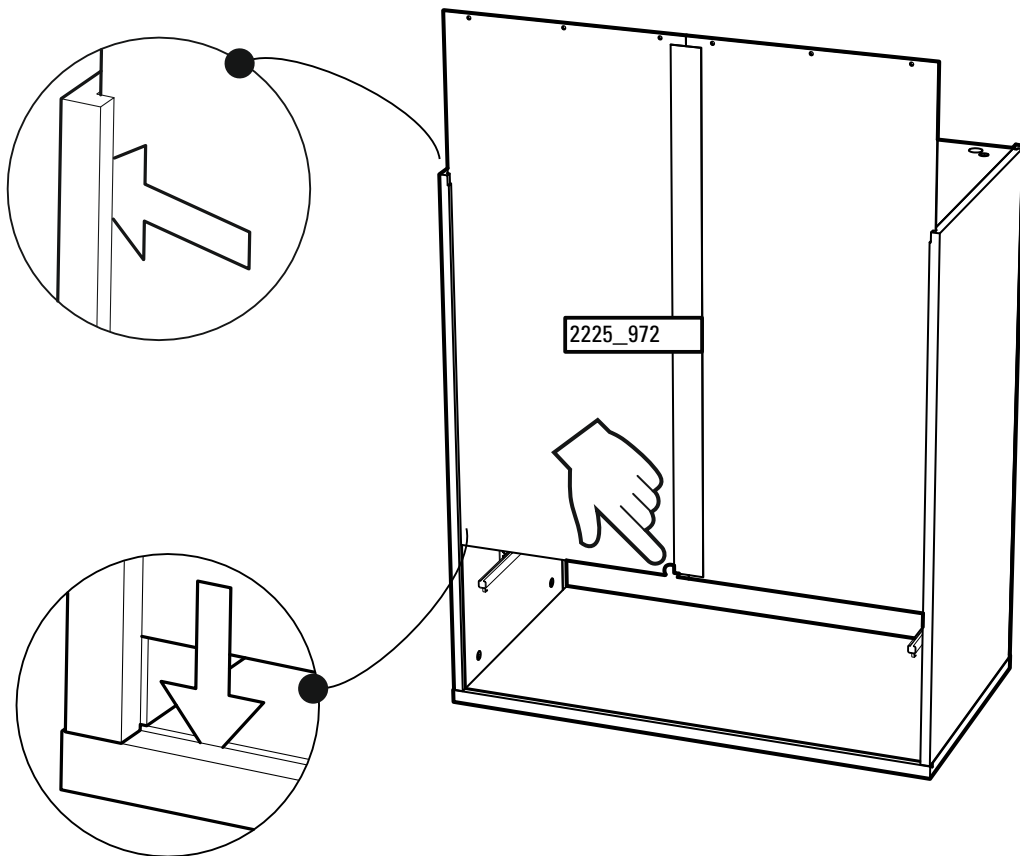
6




7

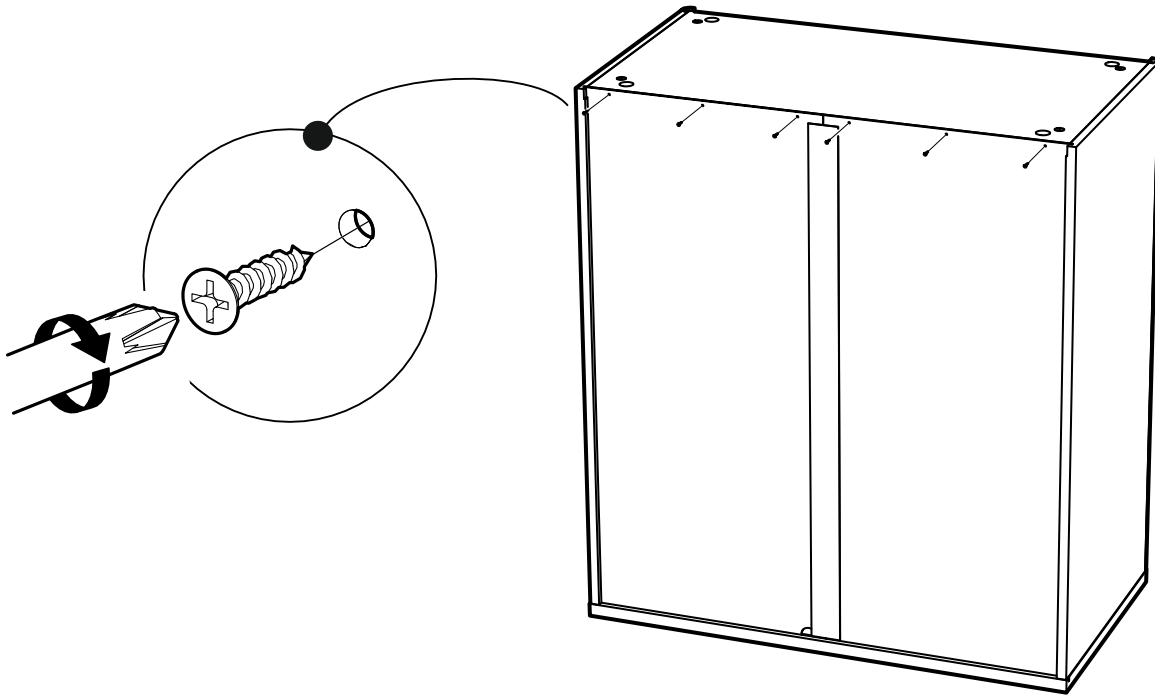


8

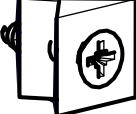


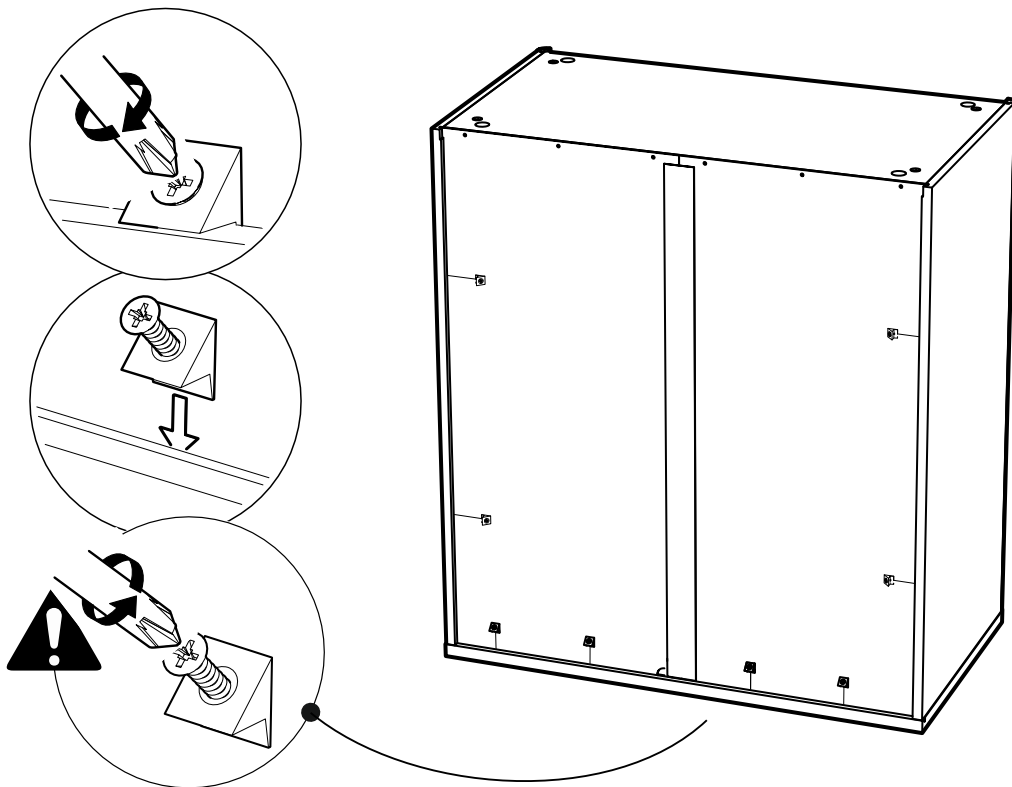
9

<p>2</p>	<p>1006012</p>	 <p>x 6</p>
----------	----------------	--





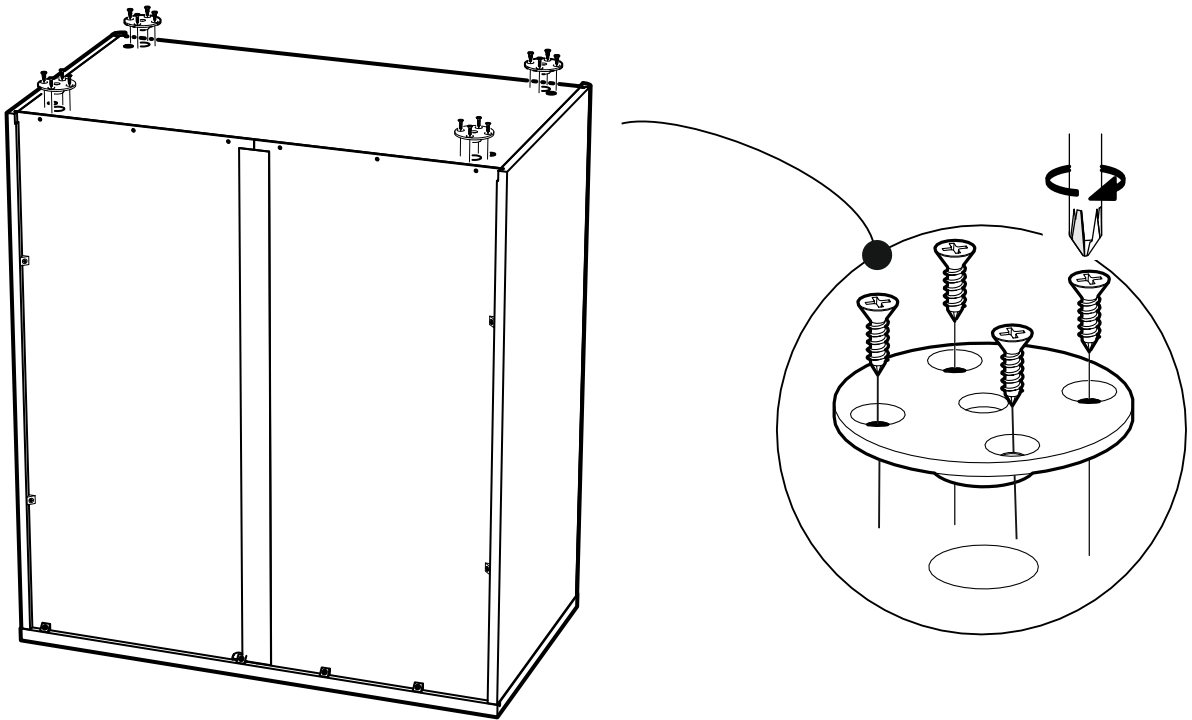
10

<p>2</p>	<p>1006022</p>	 <p>x 8</p>
----------	----------------	--

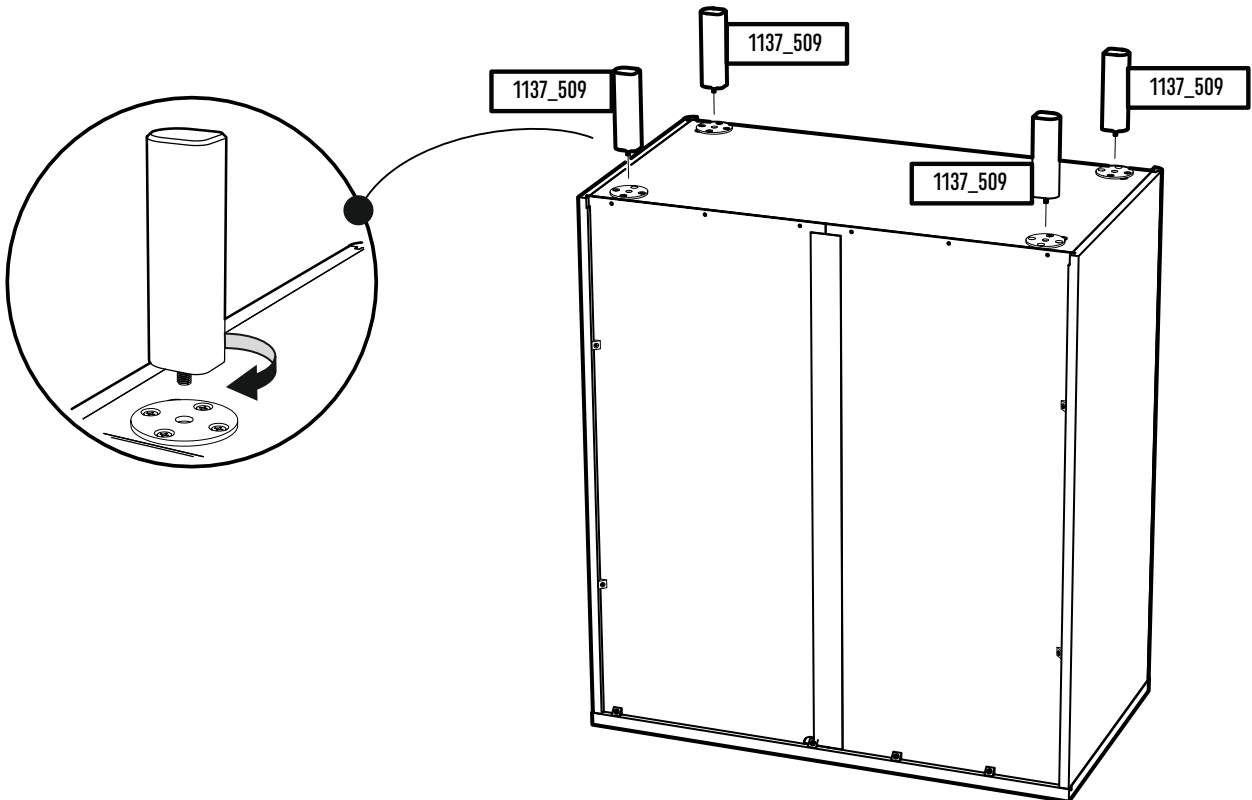


11


<p>3</p>	<p>1005681</p>		<p>1101311</p>	
		<p>x 16</p>		<p>x 4</p>

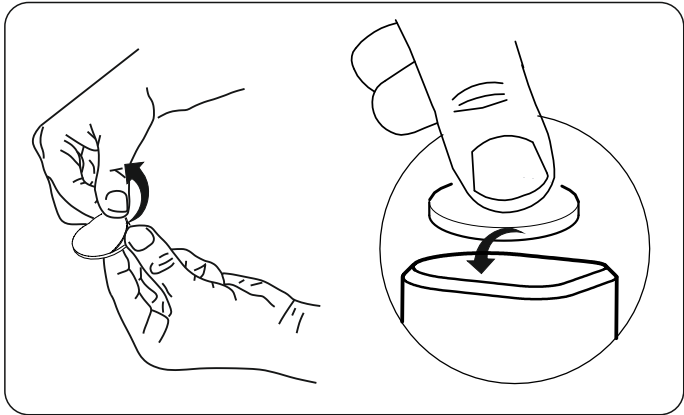
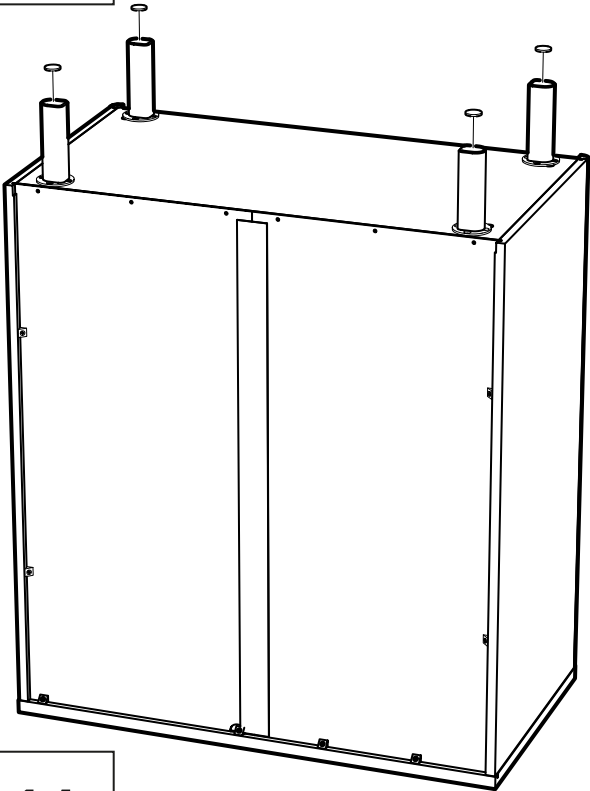


12

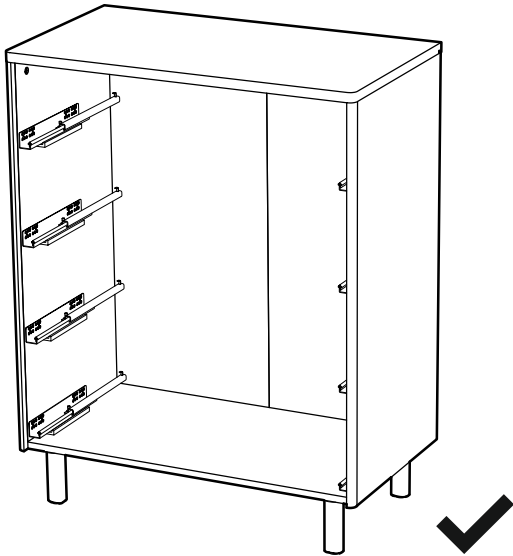
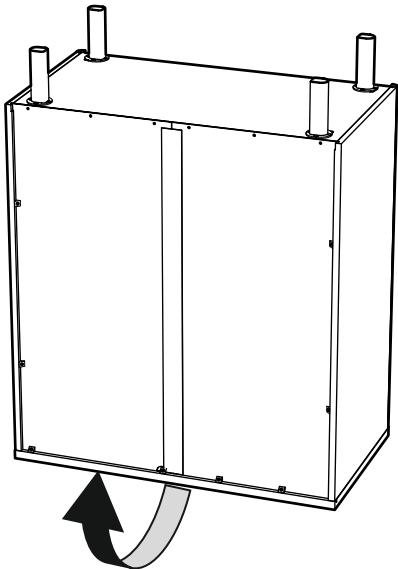
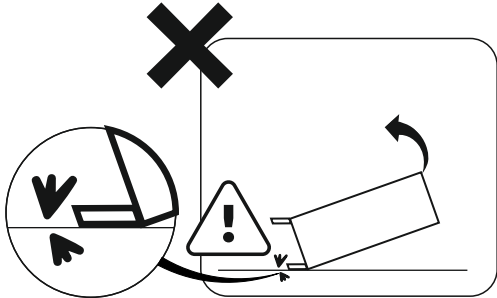
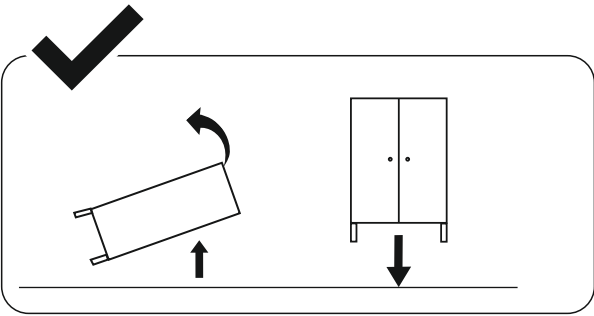


13

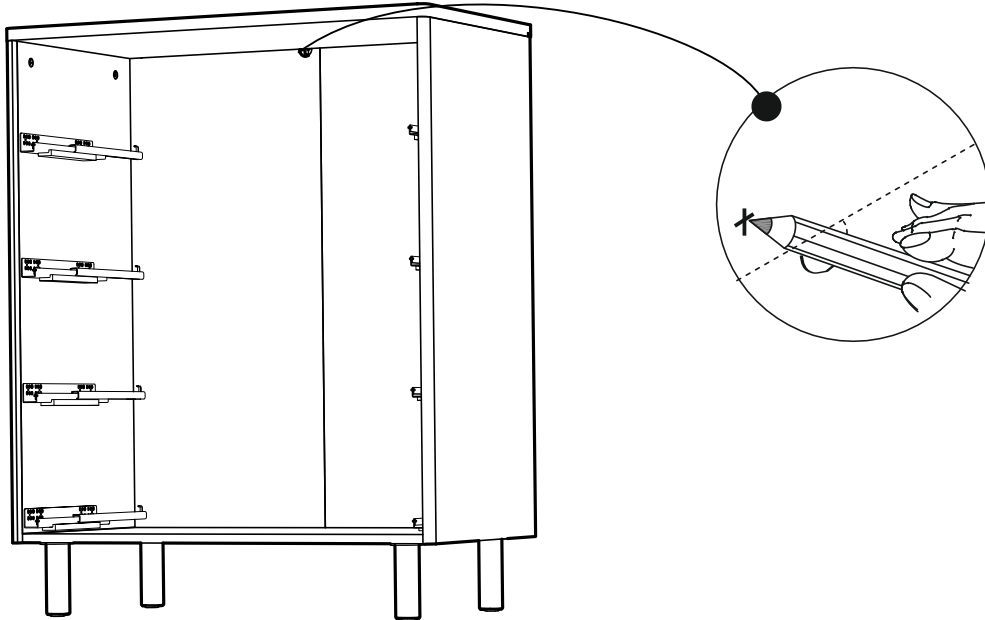
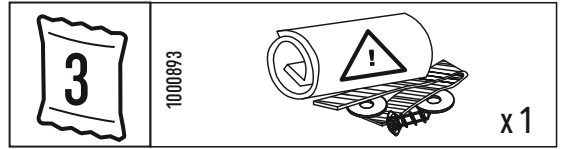
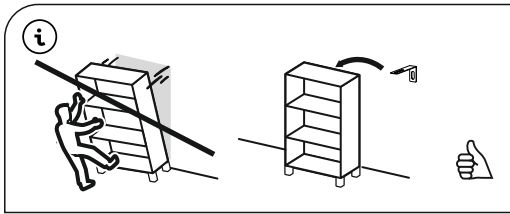
3	1120368		x 4
---	---------	--	-----



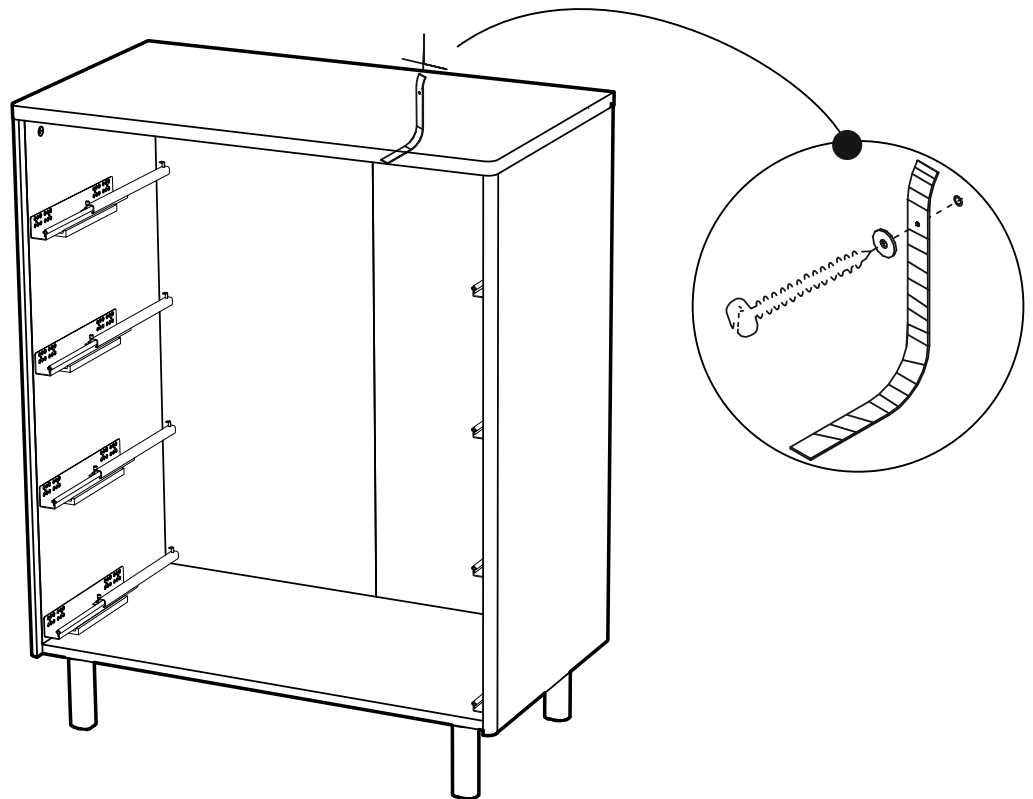
14



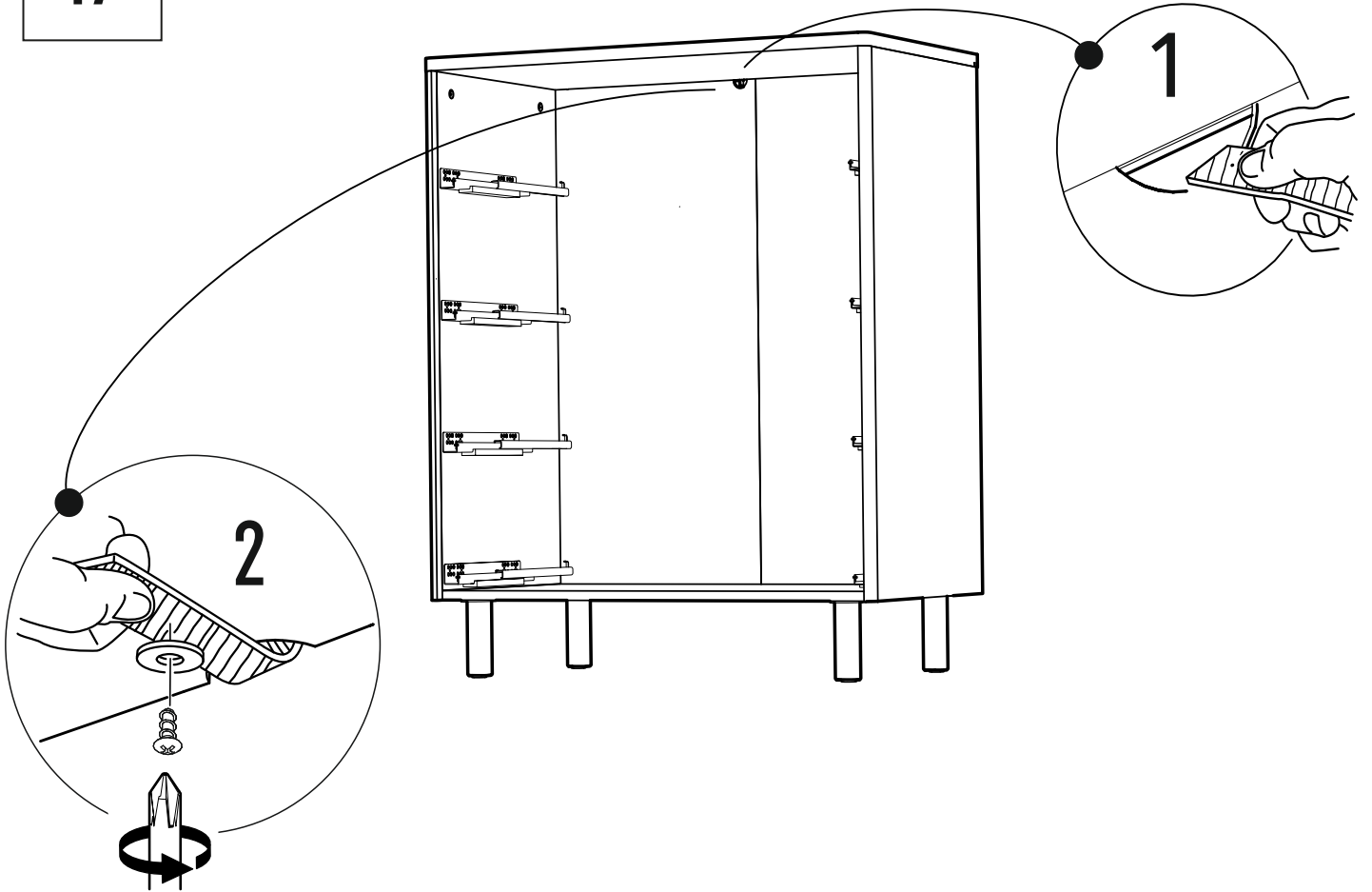
15



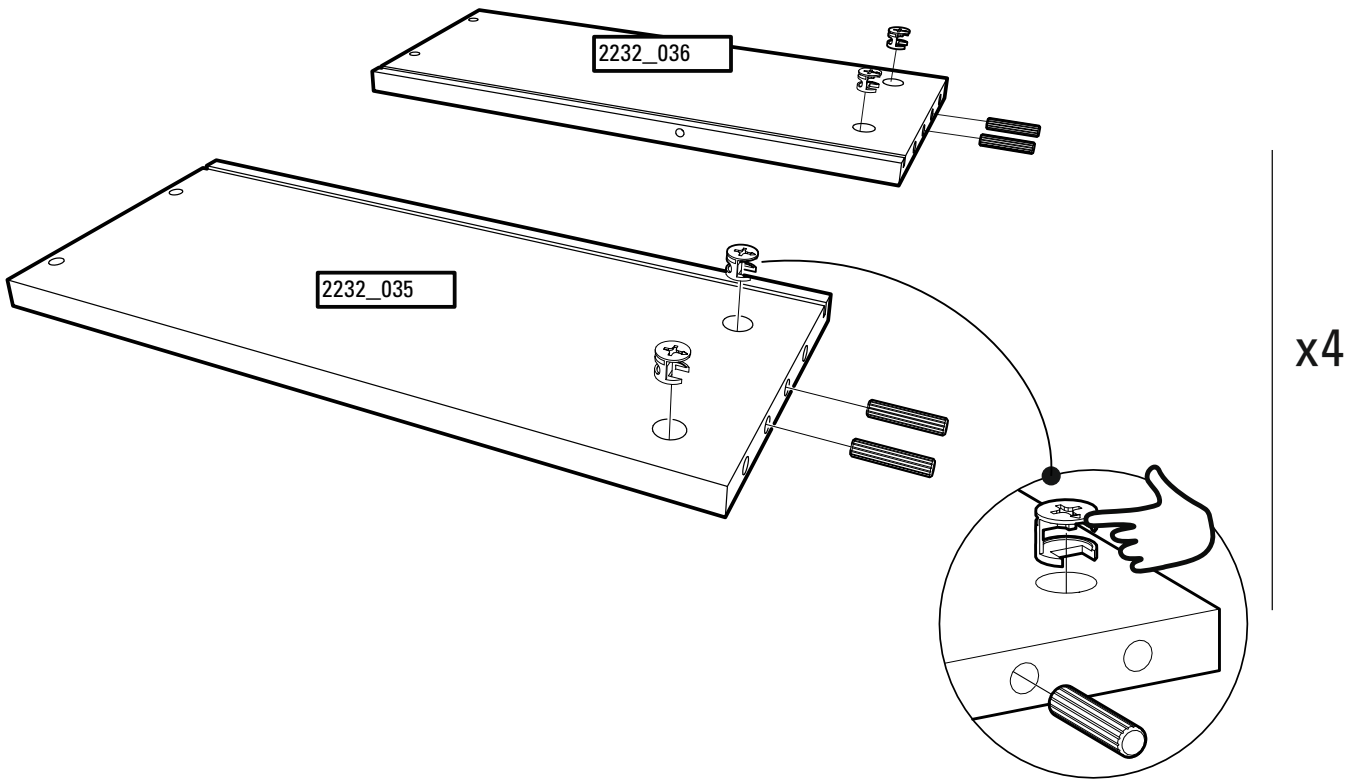
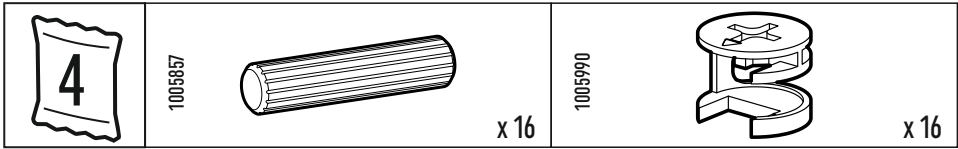
16



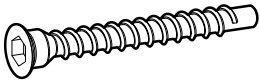
17

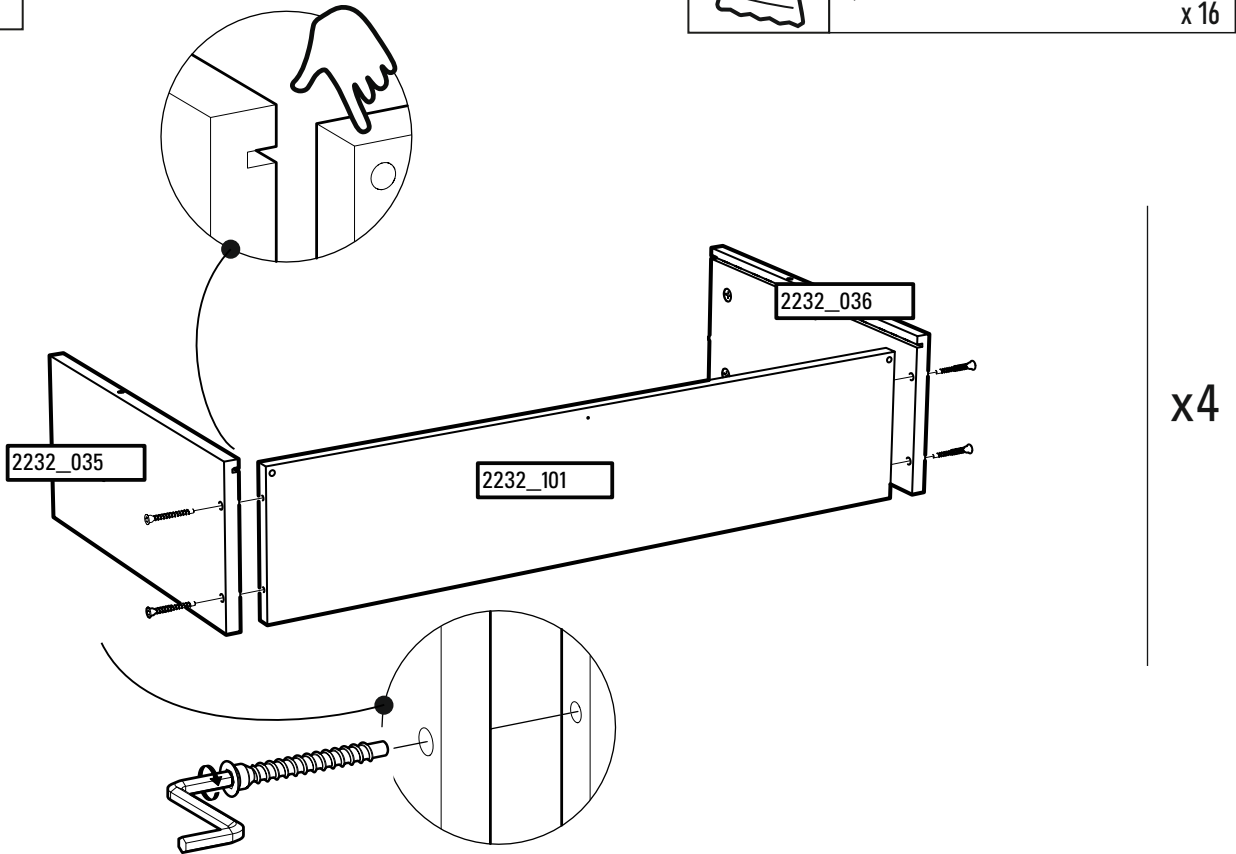


18

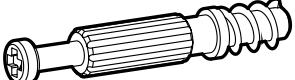


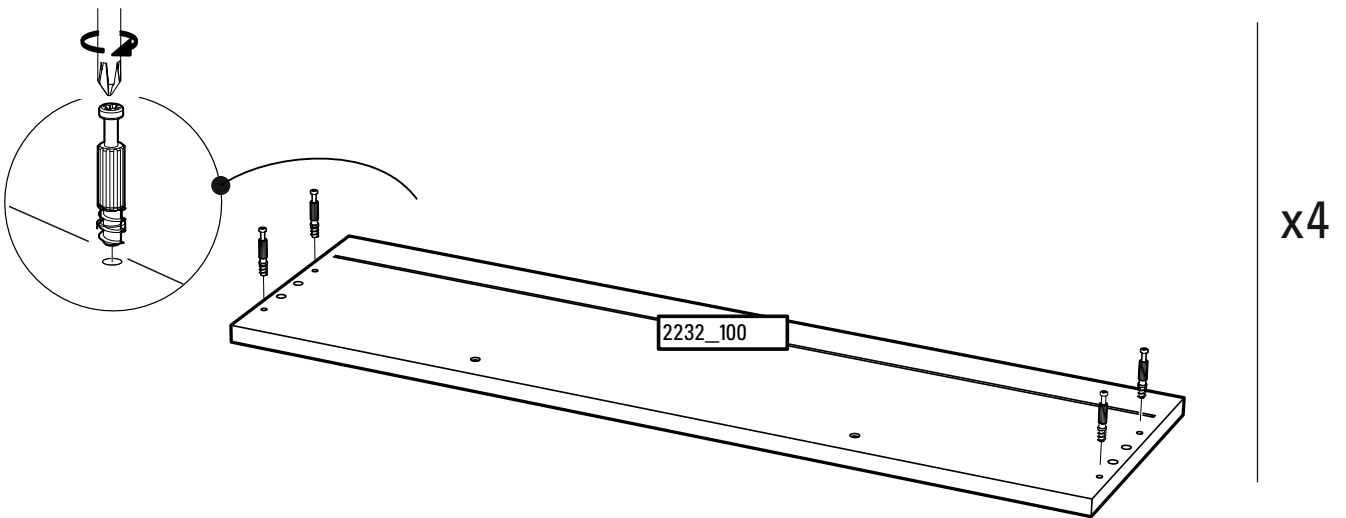
19

<p>4</p>	<p>1005876</p>  <p>x 16</p>
----------	---

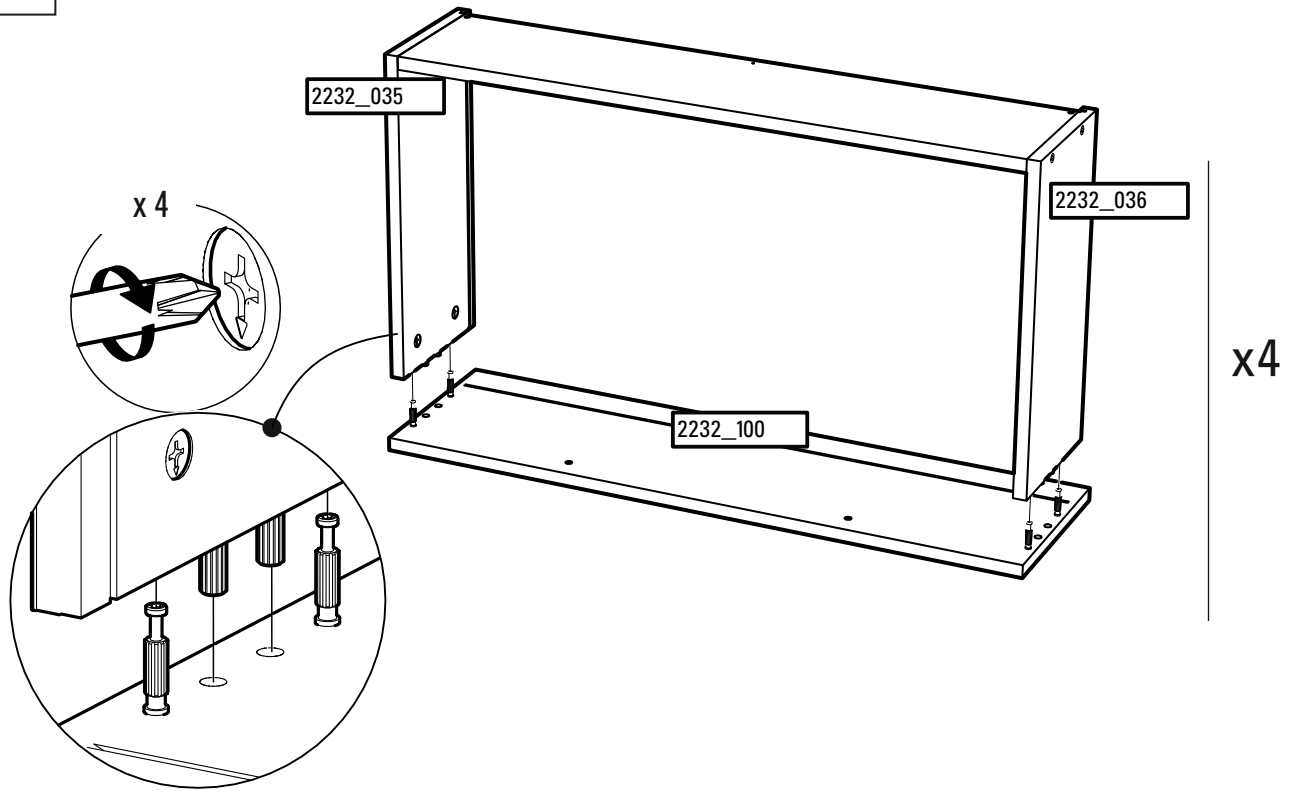


20

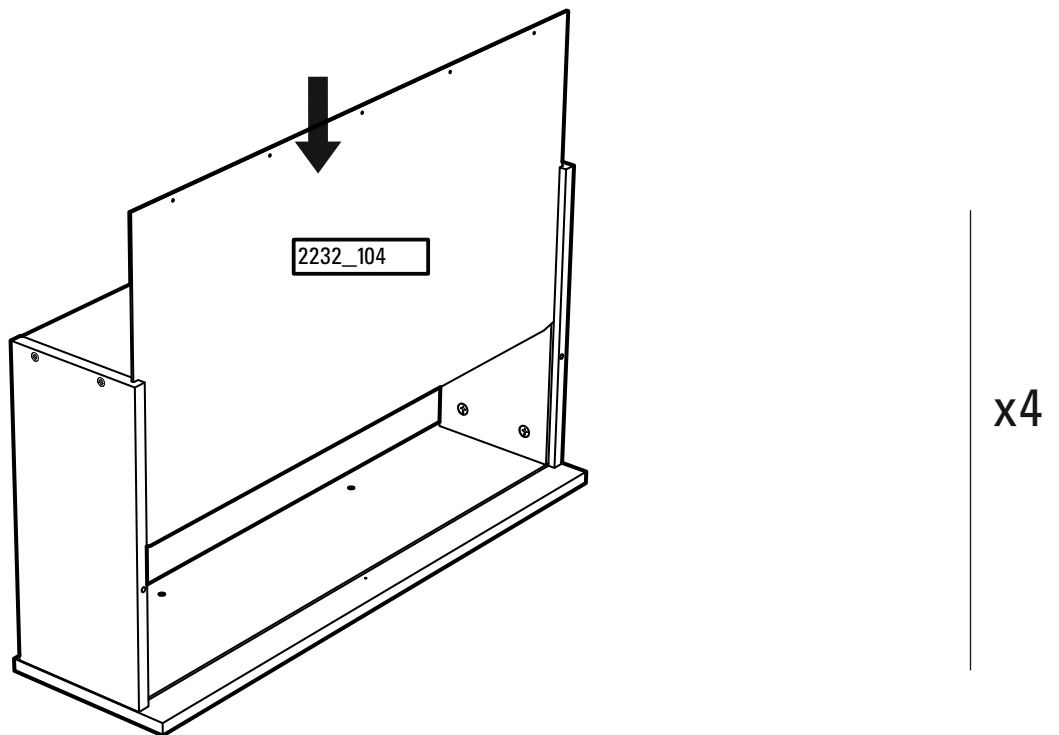
<p>4</p>	<p>1006091</p>  <p>x 16</p>
----------	--




21

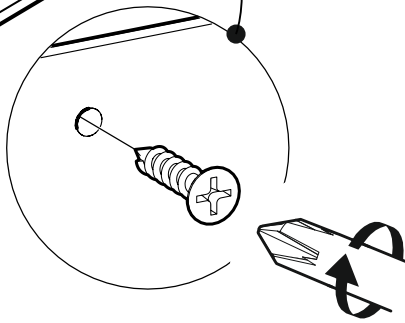
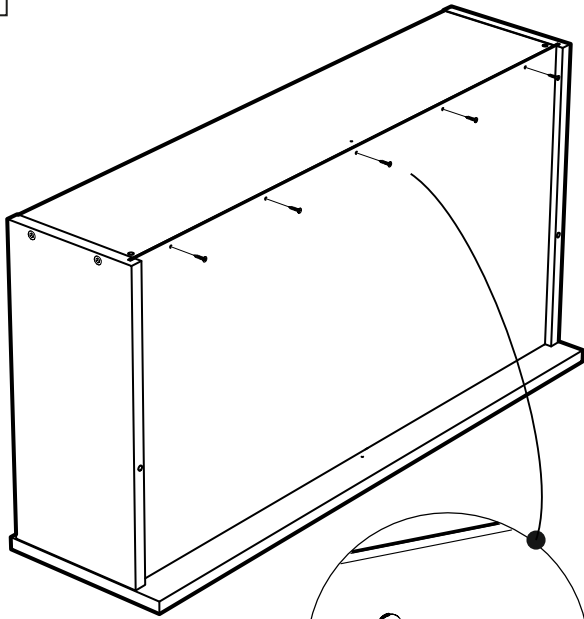



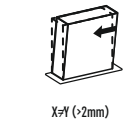
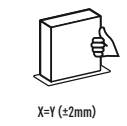
22



23



4	1006012		x 20
---	---------	---	------

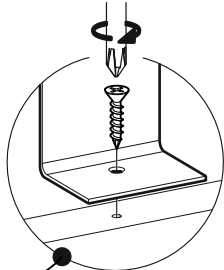
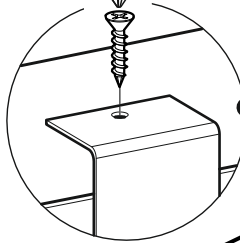
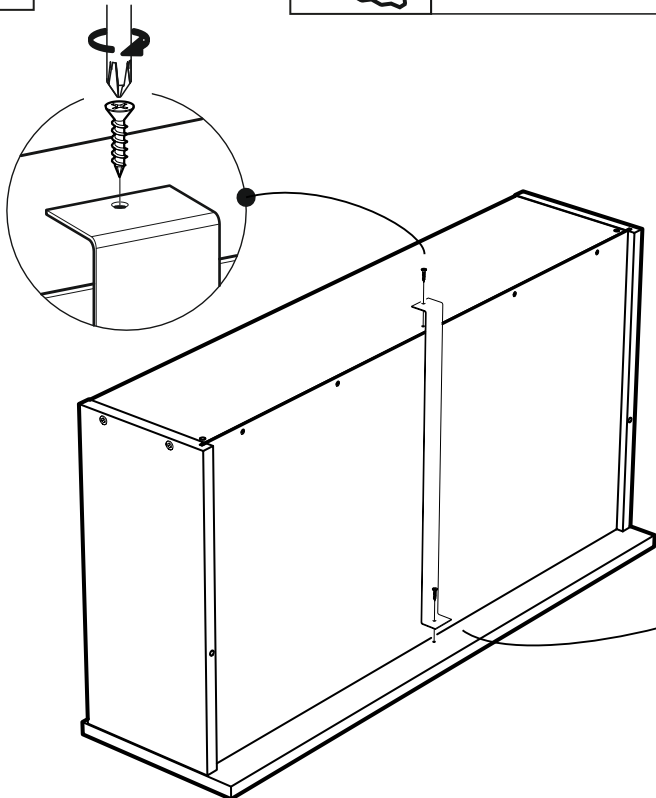


	 X≠Y (>2mm)	 X=Y (±2mm)
--	--	--

x4



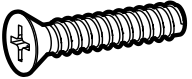
24

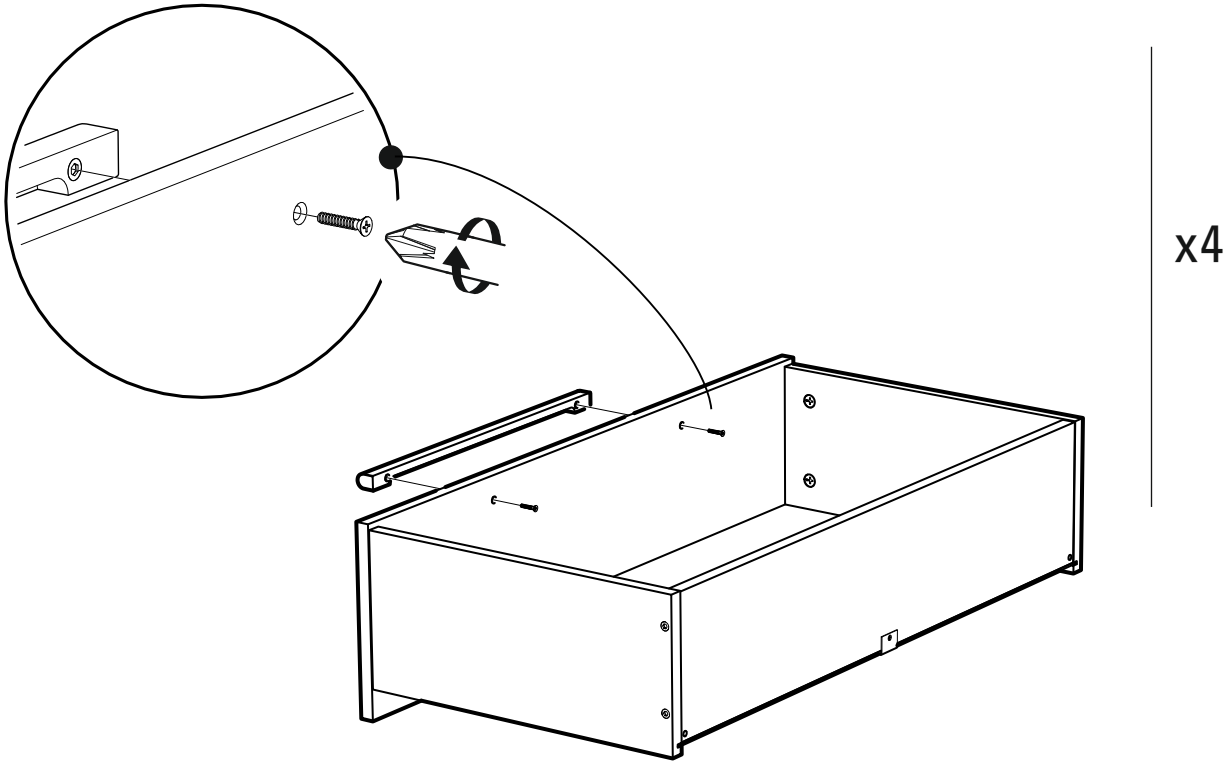
4	1006012		x 8	1002152		x 4
---	---------	---	-----	---------	---	-----



x4

25

 <p>5</p>	<p>1137621</p>  <p>x 4</p>	<p>1005907</p>  <p>x 8</p>
--	--	---



26

