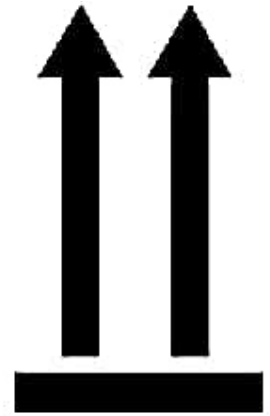
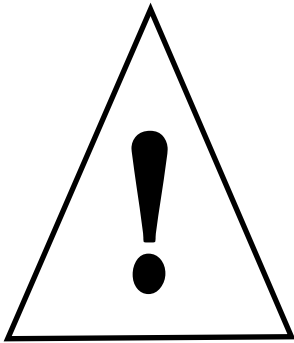


Bench Rama-178x44.5 (TOP)



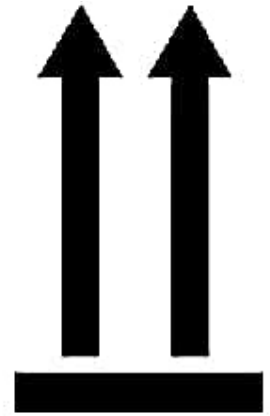
Code	BN-23-601.178		
Description	Bench Rama		
ItemSize (cms) (Approx..)	178	44.5	44.5
Finish	Acacia Natur Finish		
Net Weight	00.00 Kg. Approx..		
Gross weight	00.00 Kg. Approx..		
Carton no.			



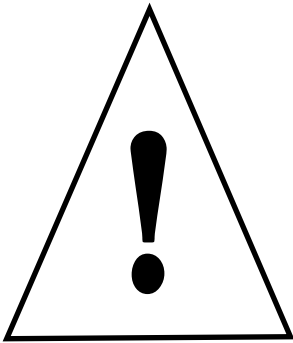
00.00 KG.
Approx.

MADE IN INDIA

Bench Rama-178x44.5 (LEG)




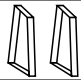

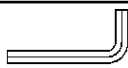
Code	BN-23-601.178		
Description	Bench Rama		
ItemSize (cms) (Approx..)	178	44.5	44.5
Finish	Acacia Natur Finish		
Net Weight	00.00 Kg. Approx..		
Gross weight	00.00 Kg. Approx..		
Carton no.			

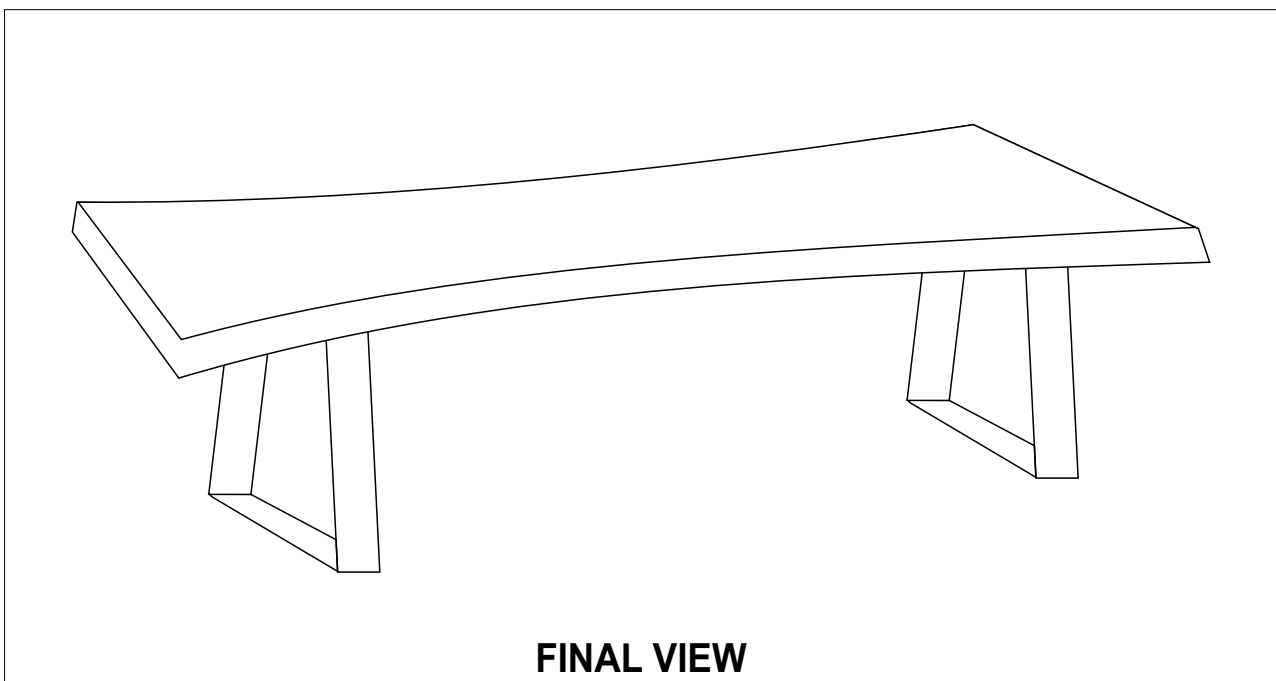
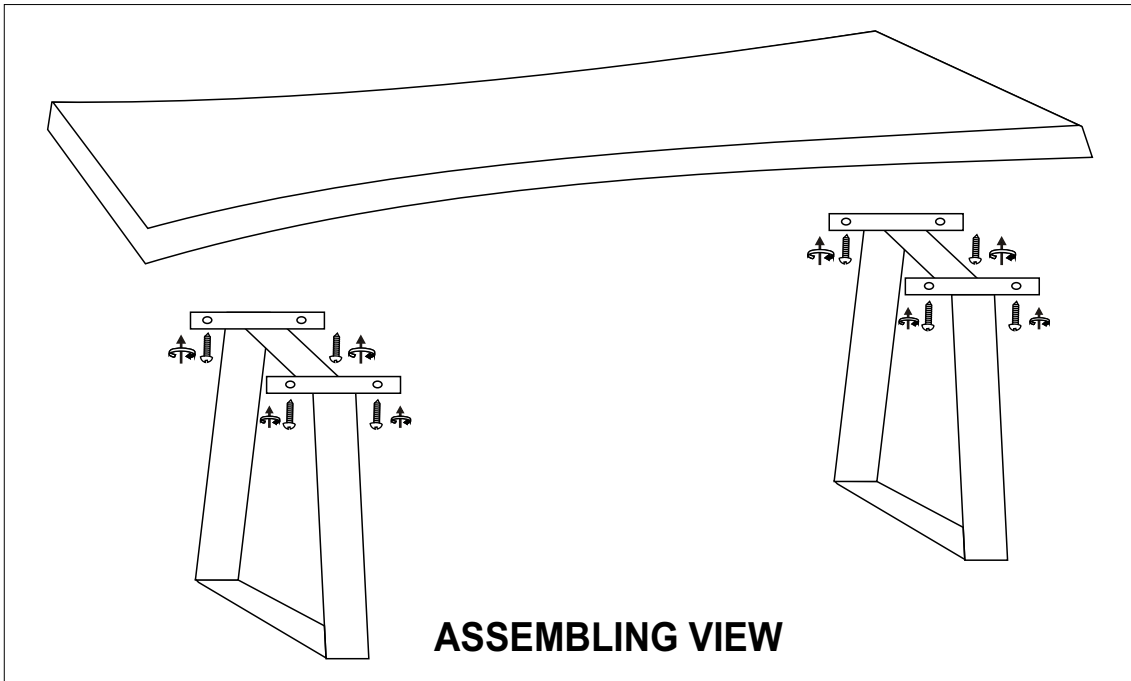


00.00 KG.
Approx.

MADE IN INDIA

**ITEM NO BN-23-601.178
BENCH RAMA
ASSEMBLY INSTRUCTION**

DESCRIPTION			Q'TY
1	TOP		01
2	BASE		02
3	SCREW		08
4	ALLEN KEY		01



THANKYOU FOR PURCHASING PB

 Polib2B