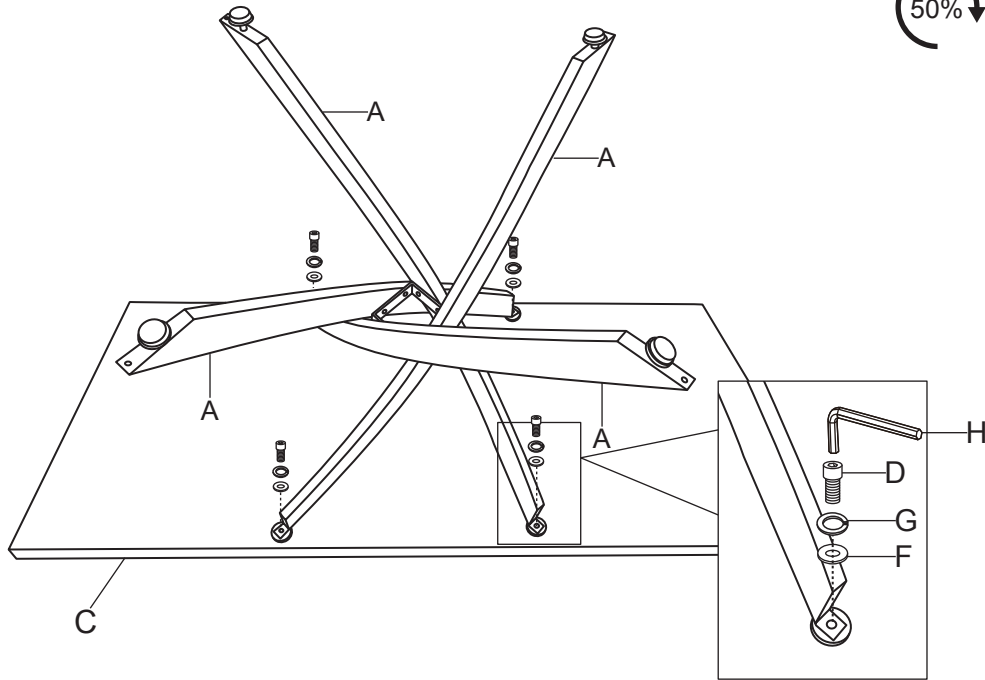
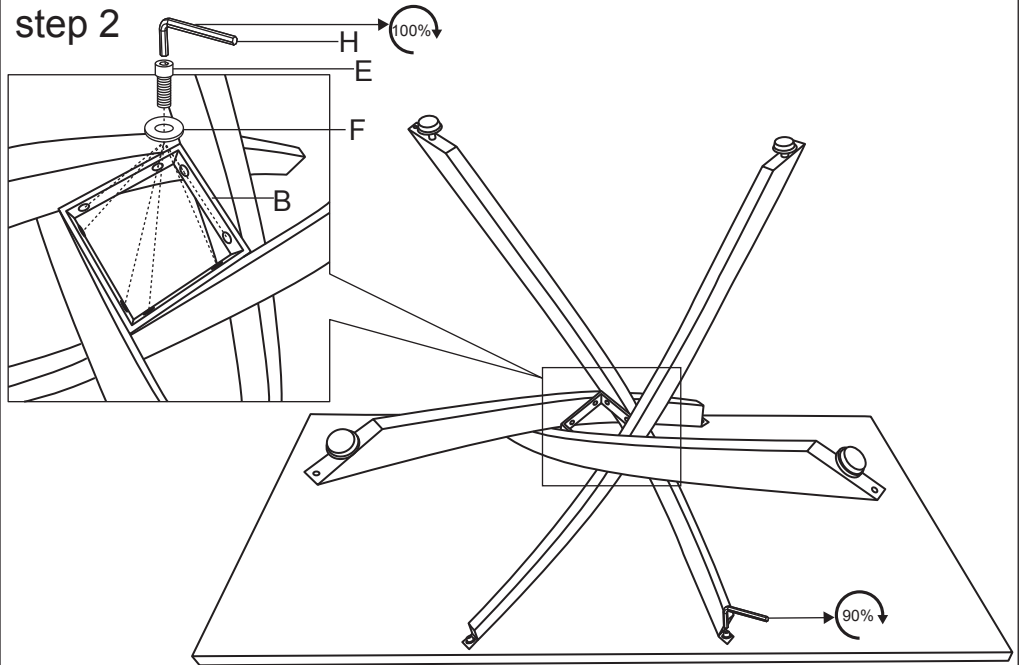


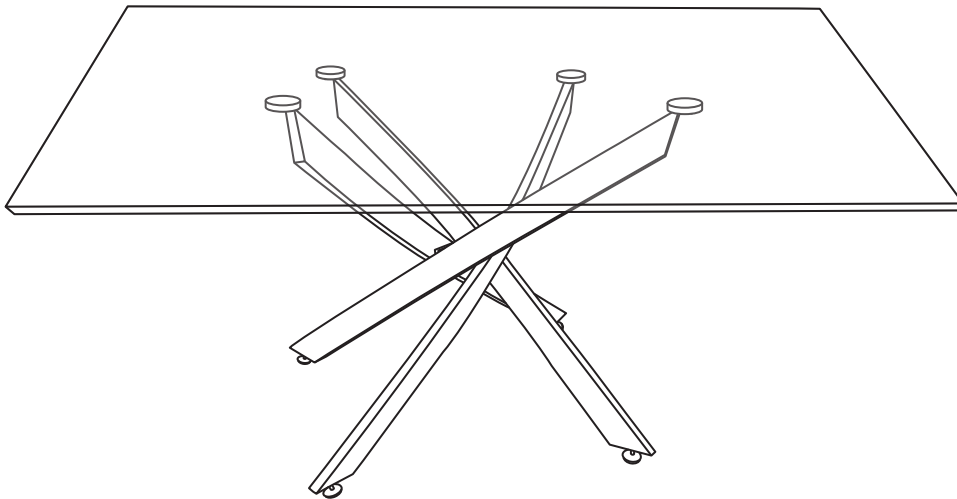
step 1



step 2



step 3



A=4PCS	B=1PC	C=1PC	D=4PCS
E=8PCS	F=12PCS	G=4PCS	H=1PC