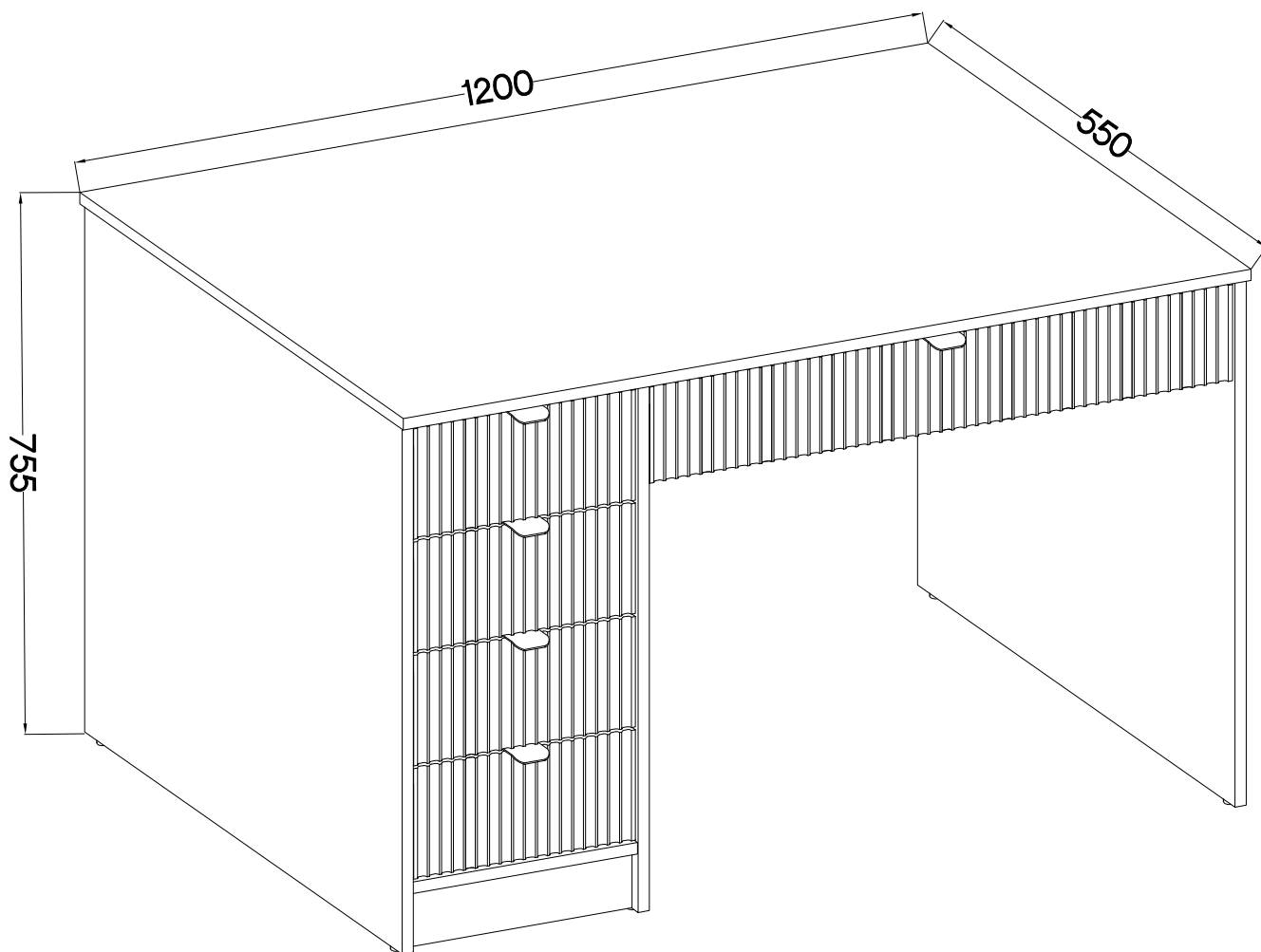
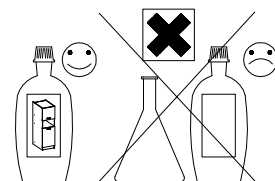
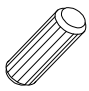










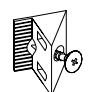

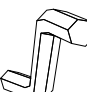






150 min

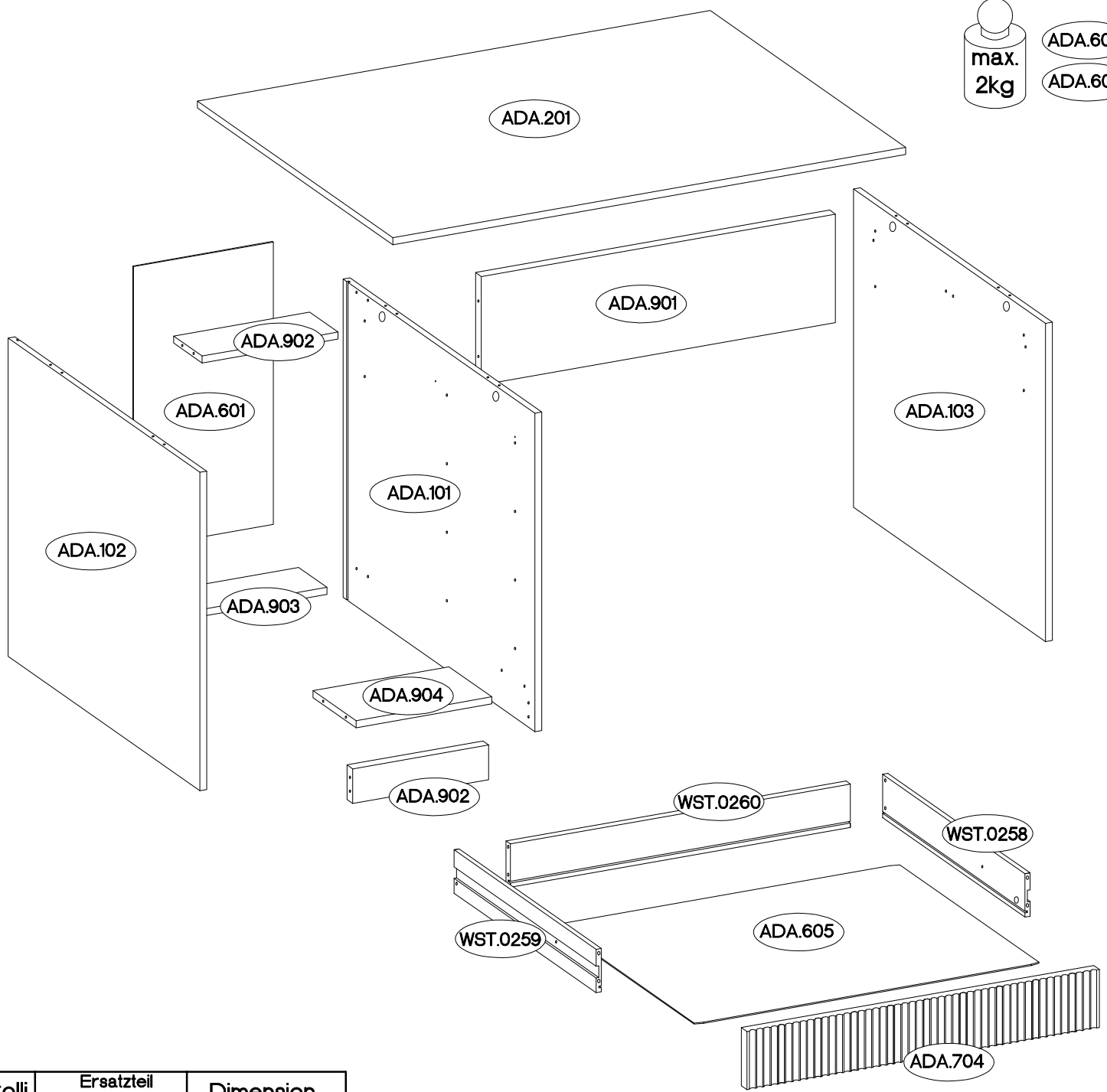
# TIRENO



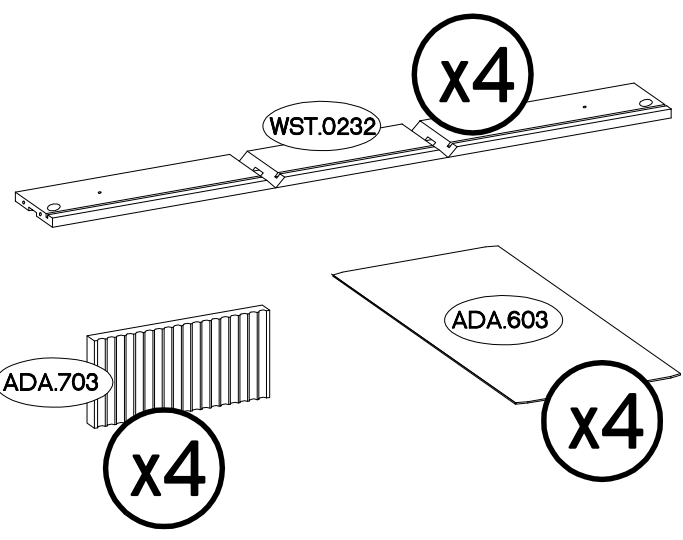
 <b>A</b> 30	 <b>B</b> 6	 <b>B2</b> 2	 <b>C</b> 8	 <b>C5</b> 10	 <b>D9</b> 18	 <b>E</b> 6	 <b>E1</b> 4	 <b>F4</b> 6	 <b>I2</b> 4	 <b>I4</b> 1
 <b>L</b> 4	 <b>M</b> 20	 <b>O</b> 1	 <b>O11</b> 1	 <b>P7</b> 8-10	 <b>S</b> 5	 <b>U1</b> 10				

ISM-ADA-002

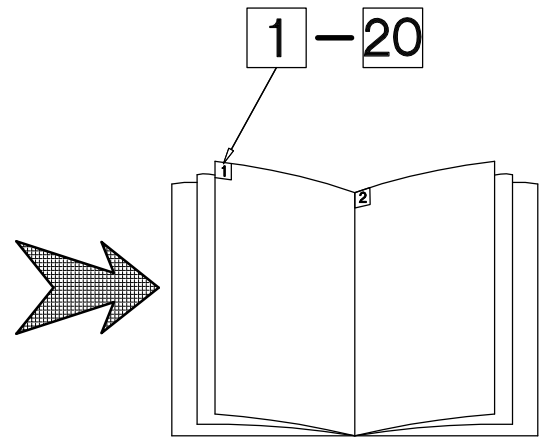
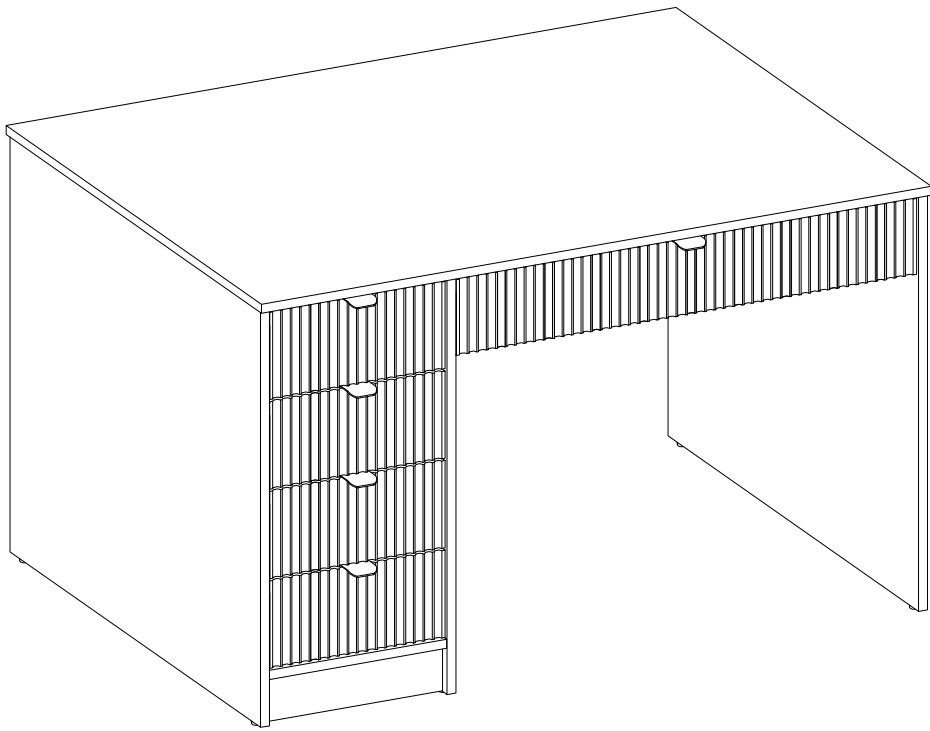
max. 2kg  
 ADA.603  
 ADA.605



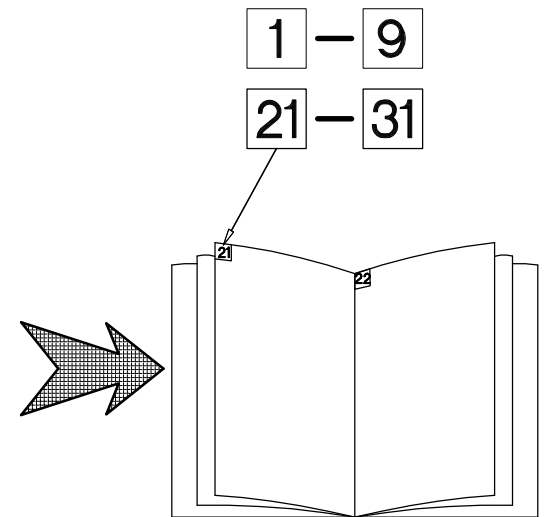
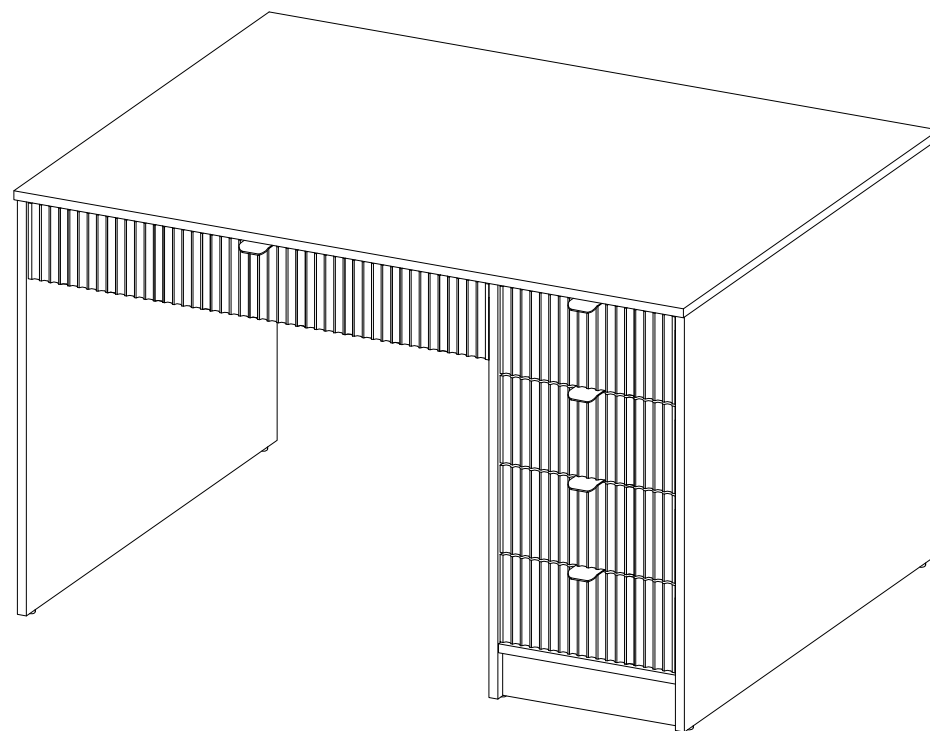
Colli	Ersatzteil Nummer	Dimension
Colli 1/1	ADA.101	734x540x16
	ADA.102	734x540x16
	ADA.103	734x540x16
	ADA.201	1200x550x16
	ADA.601	651x327x2,5
	ADA.603 x4	296x399x2,5
	ADA.605	807x397x2,5
	ADA.703 x4	154x314x16
	ADA.704	134x825x16
	ADA.901	829x250x16
	ADA.902 x2	318x80x16
	ADA.903	318x80x16
	ADA.904	318x121x16
	WST.0258	400x100x12
	WST.0259	400x100x12
	WST.0260	796x100x12
	WST.0232 x 4	(400x309x400)x80x12




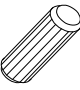
# VARIANT L

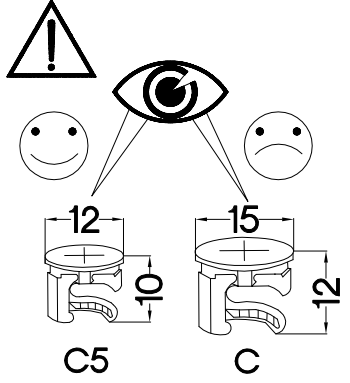
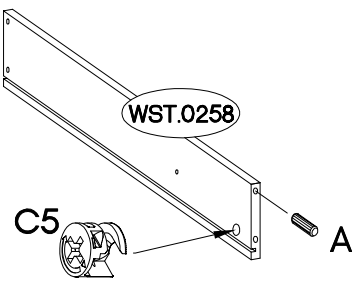
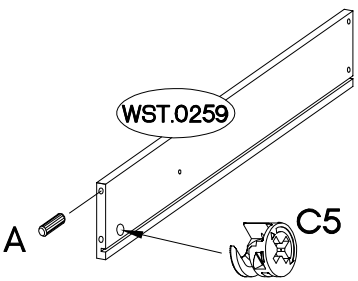
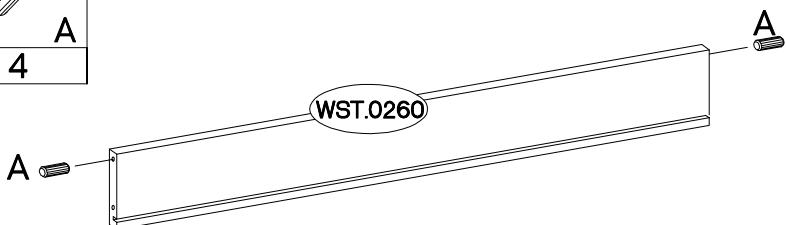
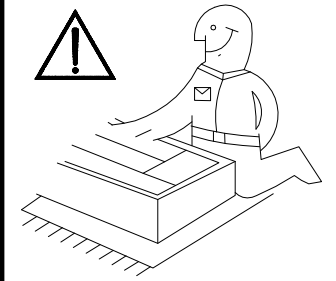


# VARIANT R




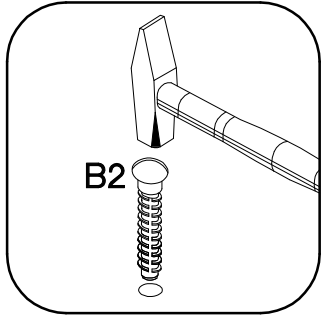
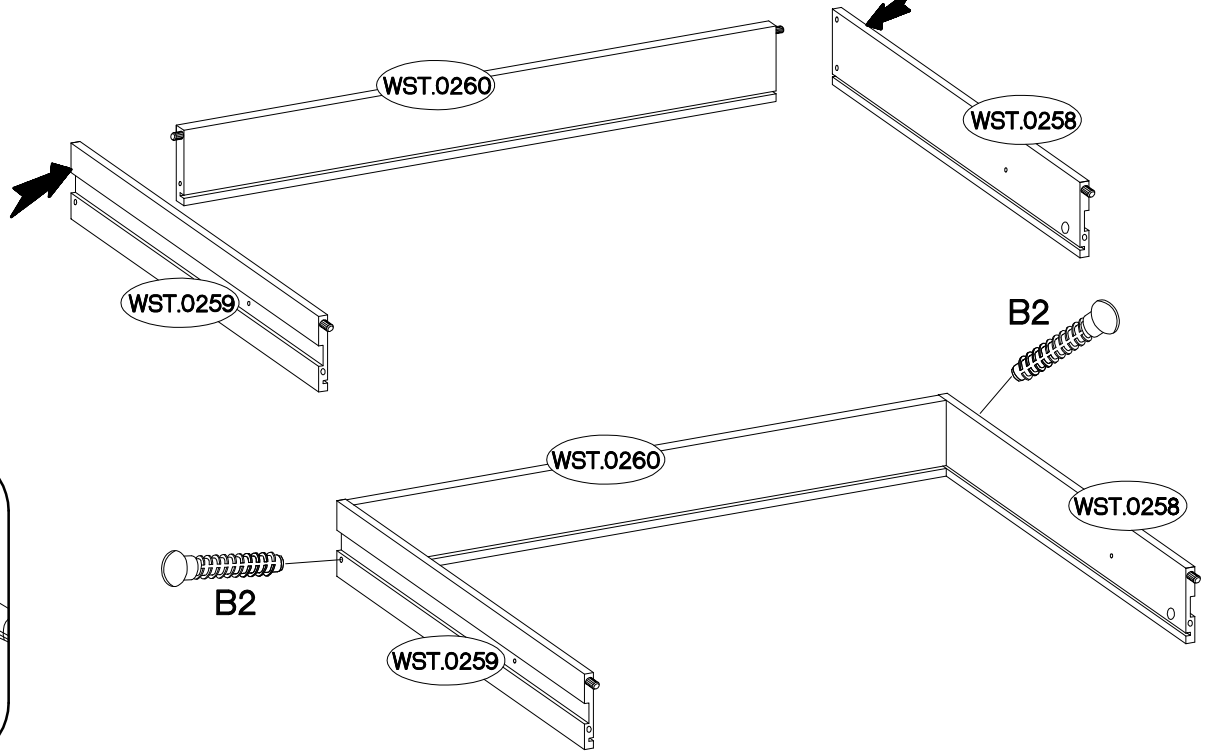
1

†12/10mm  <b>C5</b> 2	†8x30mm  <b>A</b> 4
--	--




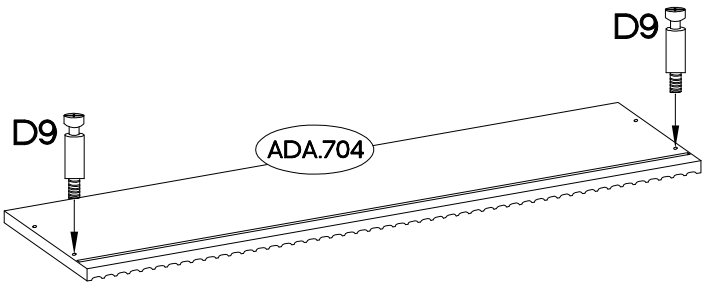
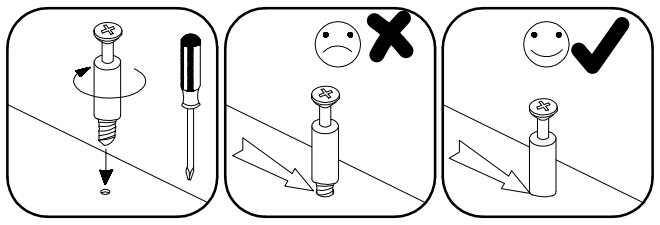
2

†6x42mm  <b>B2</b> 2
--

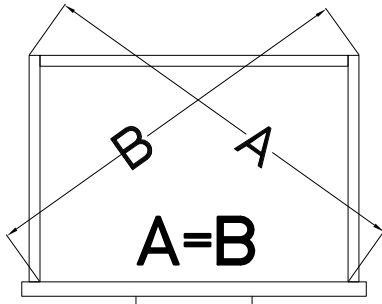
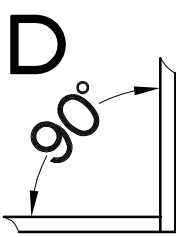
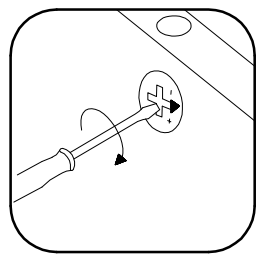
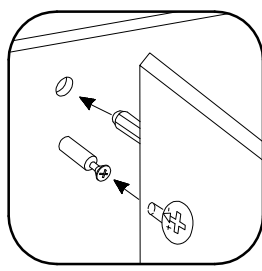
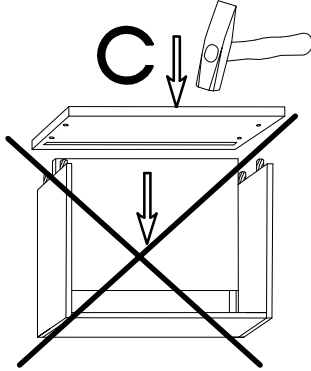
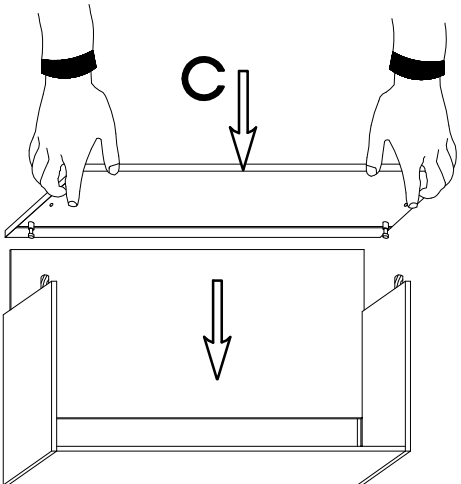
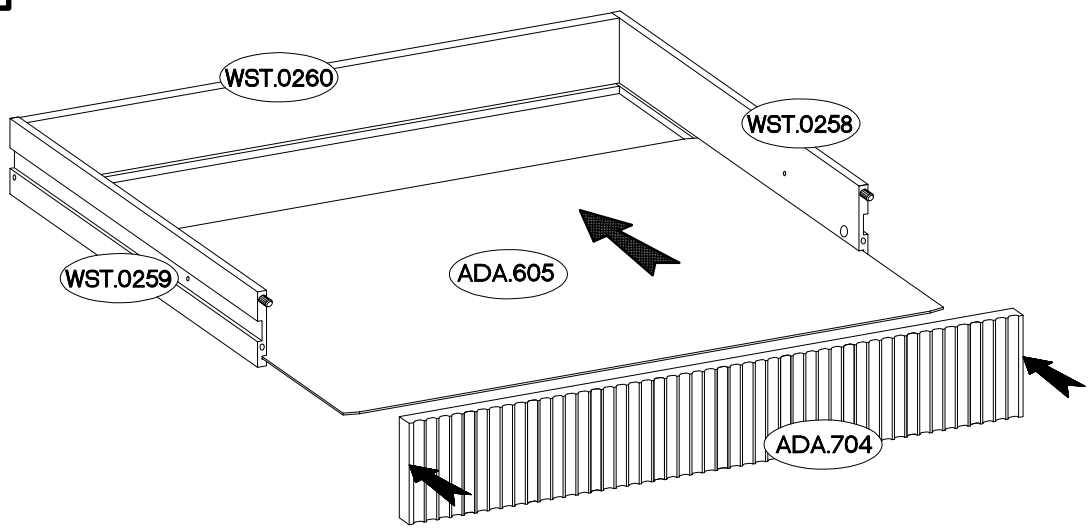
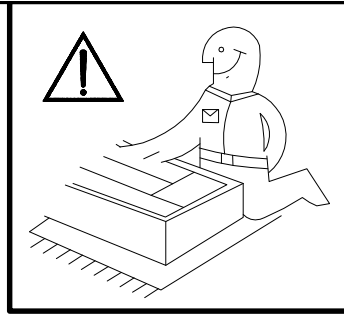


3

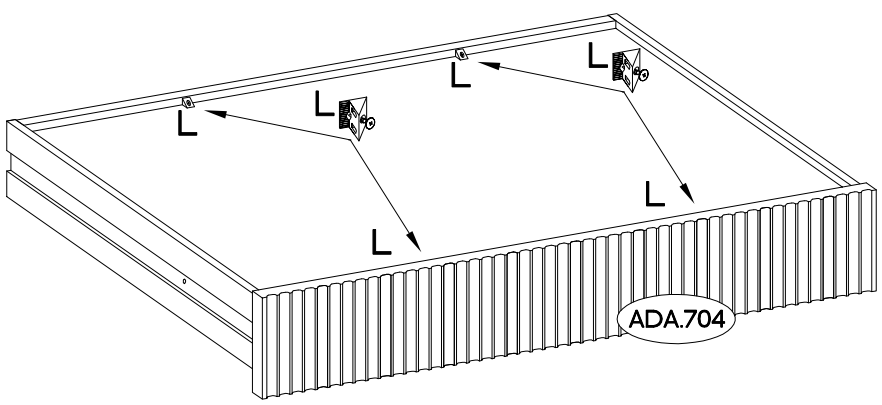
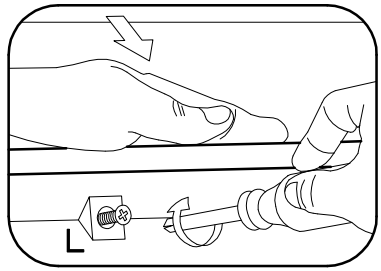
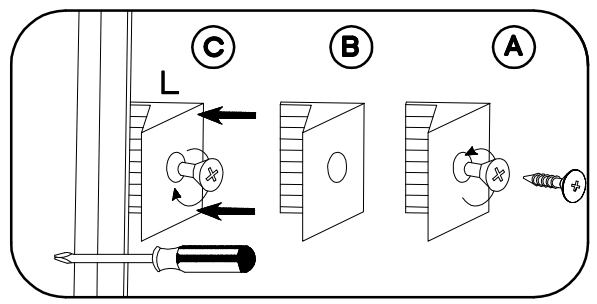
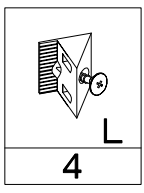
L=20/8mm  <b>D9</b> 2
---



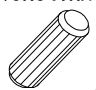

4

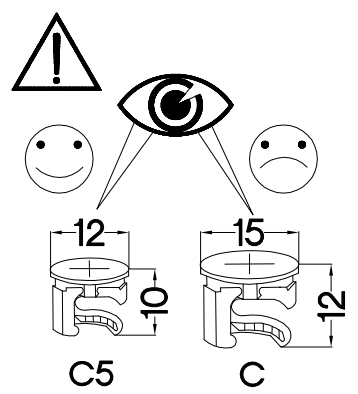
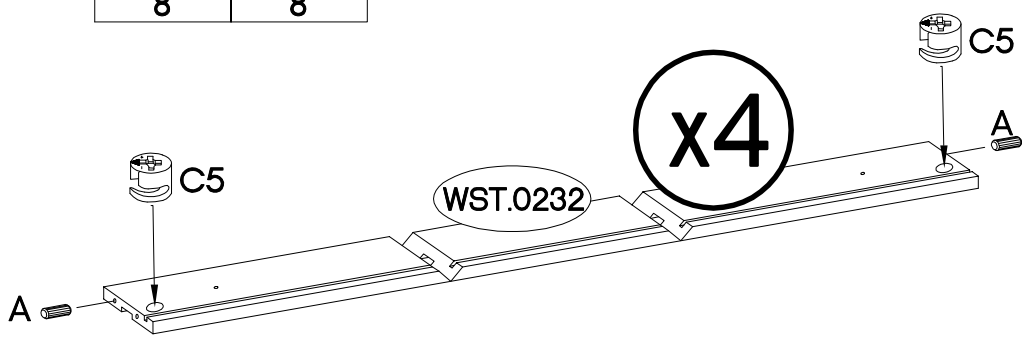
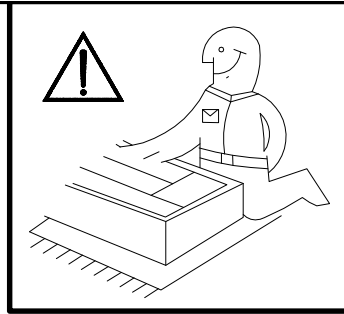


5




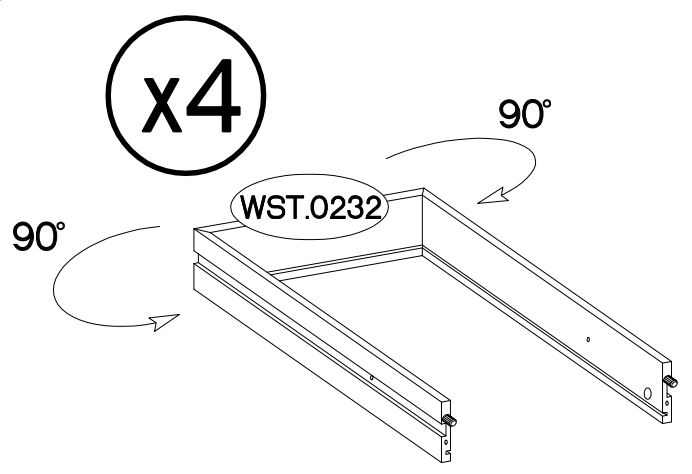
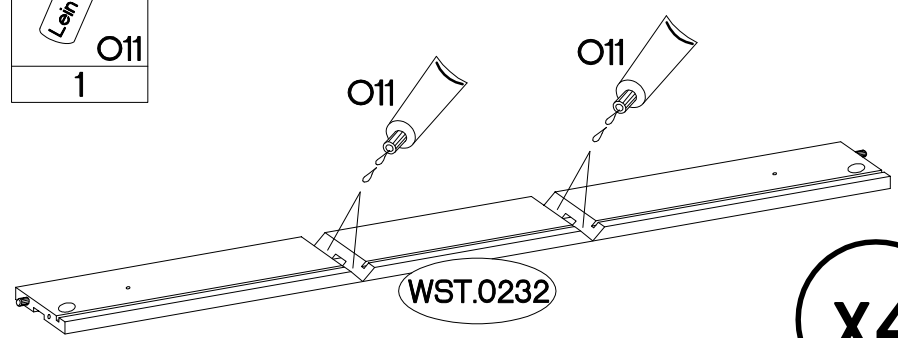
6

†8x30mm	†12/10mm
	
A	C5
8	8

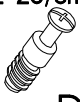


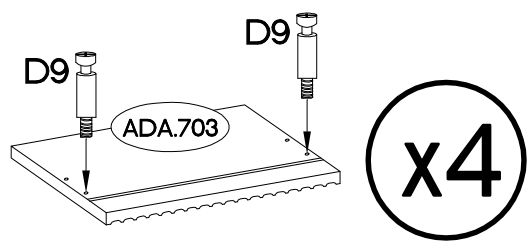
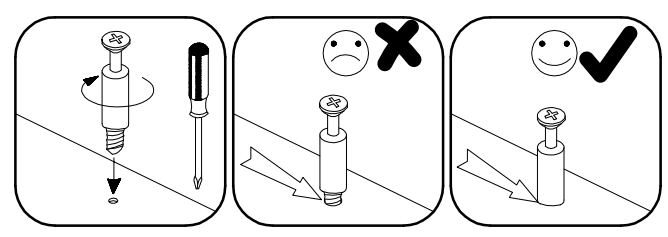
7

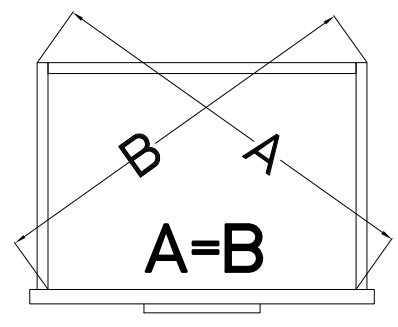
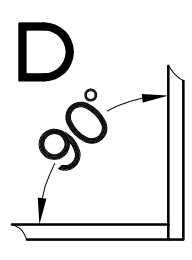
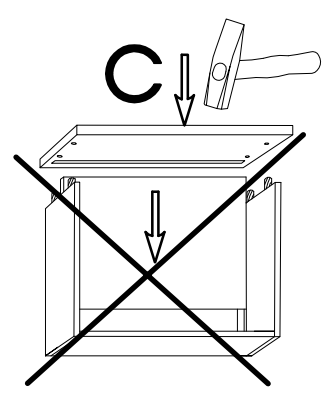
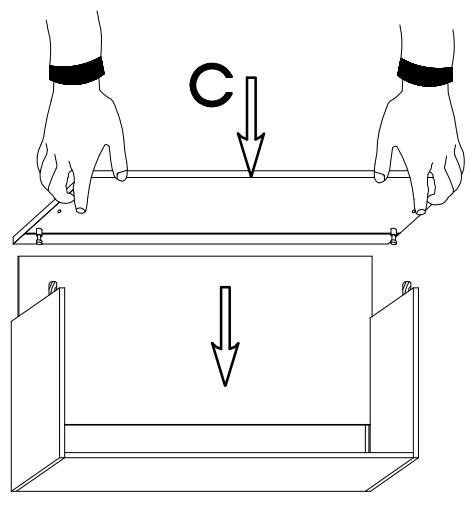
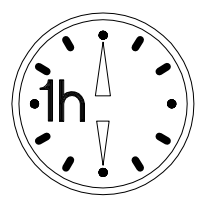
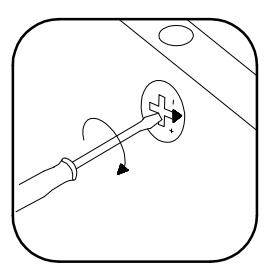
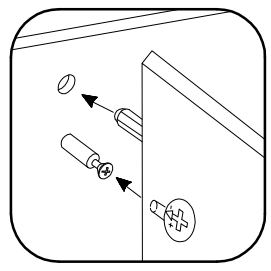
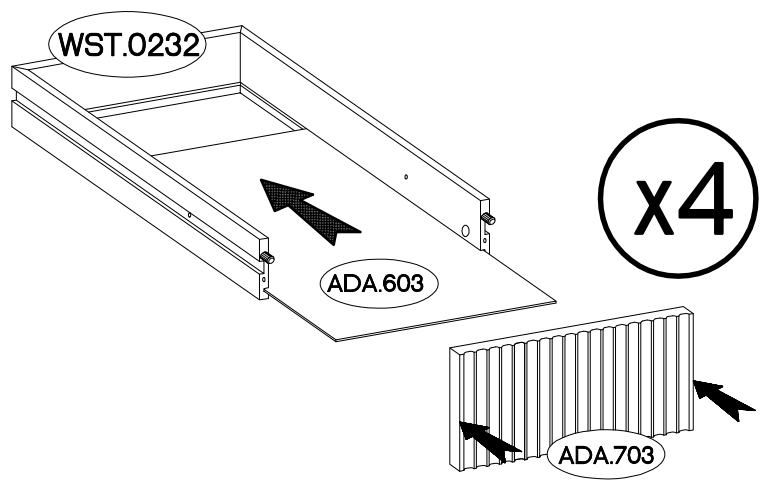
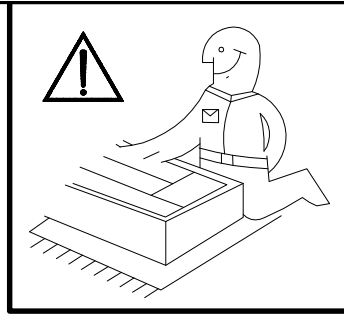
0,05

O11
1



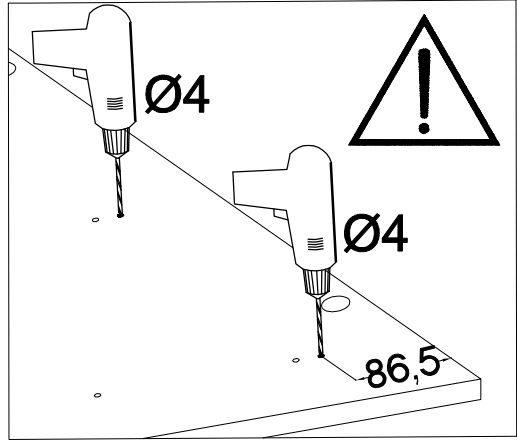
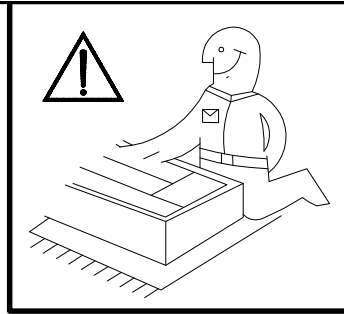
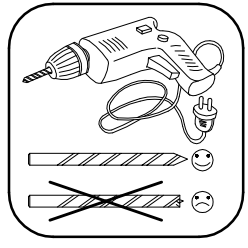
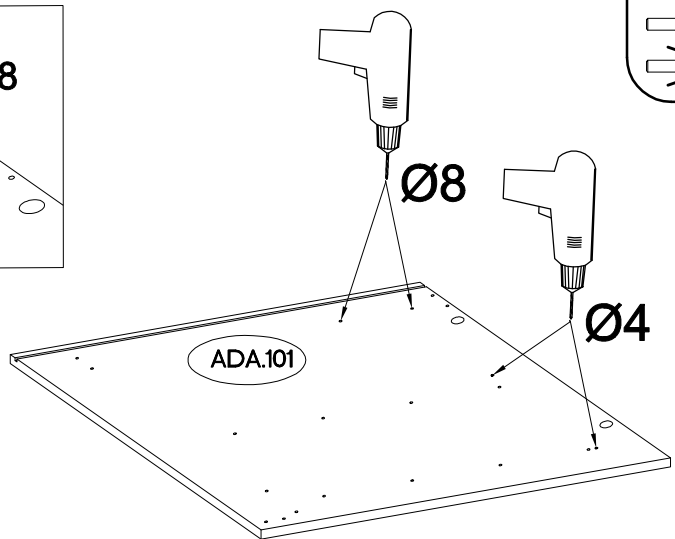
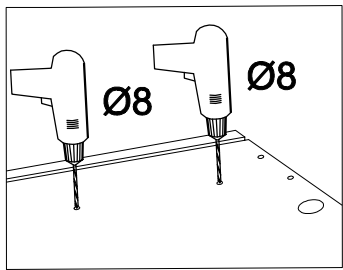
8

L=20/8mm

D9
8



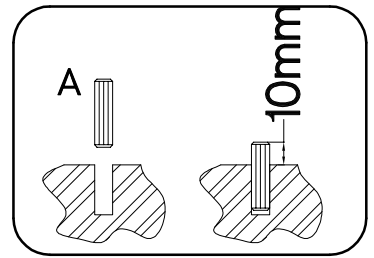
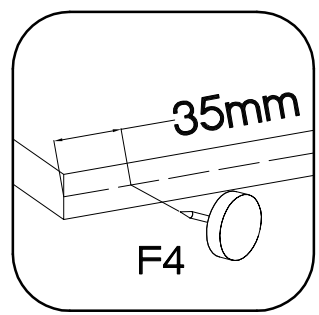
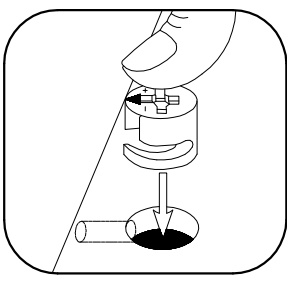
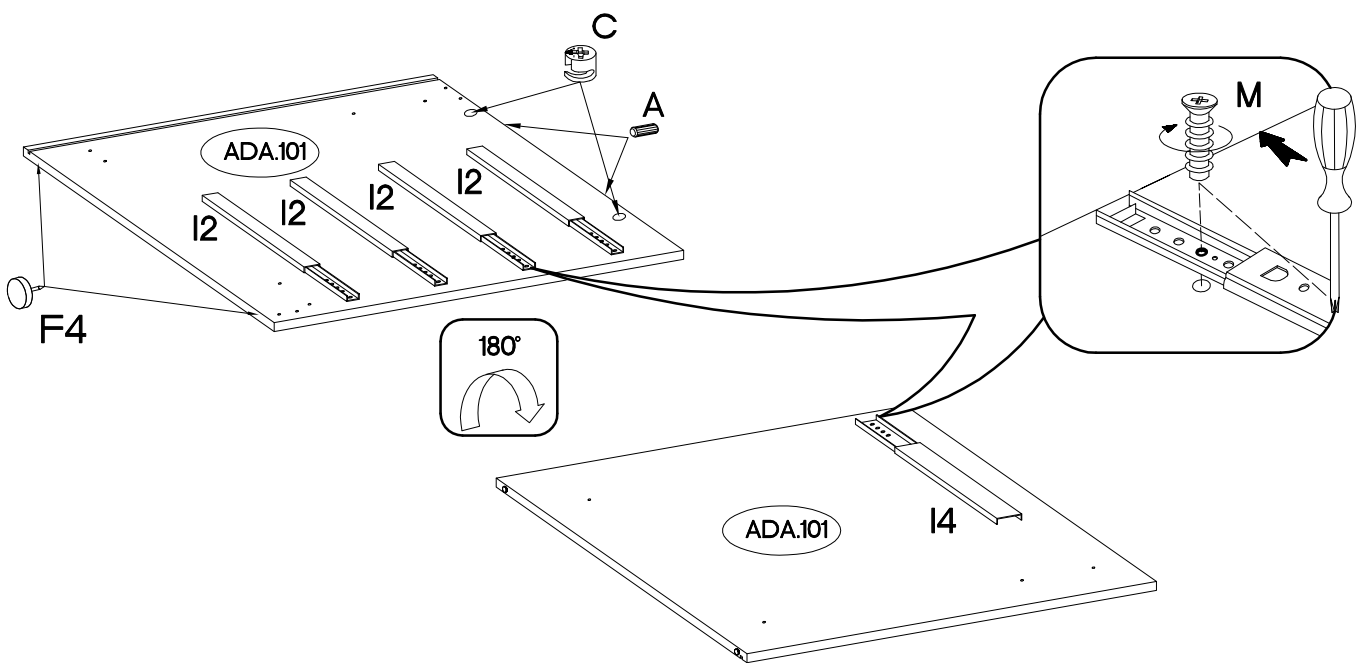


# 10

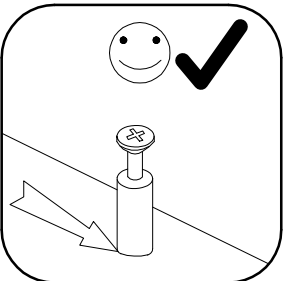
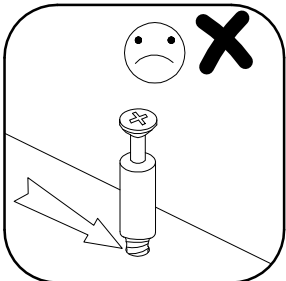
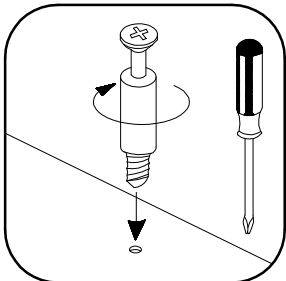
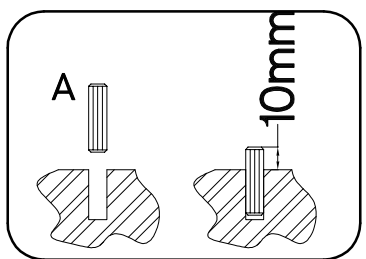
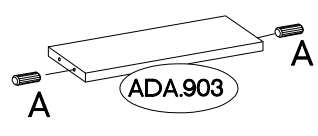
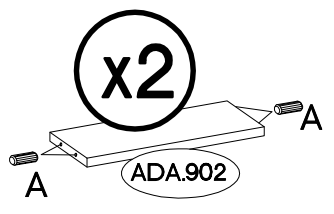
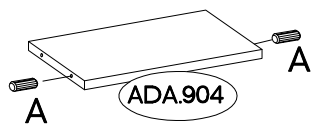
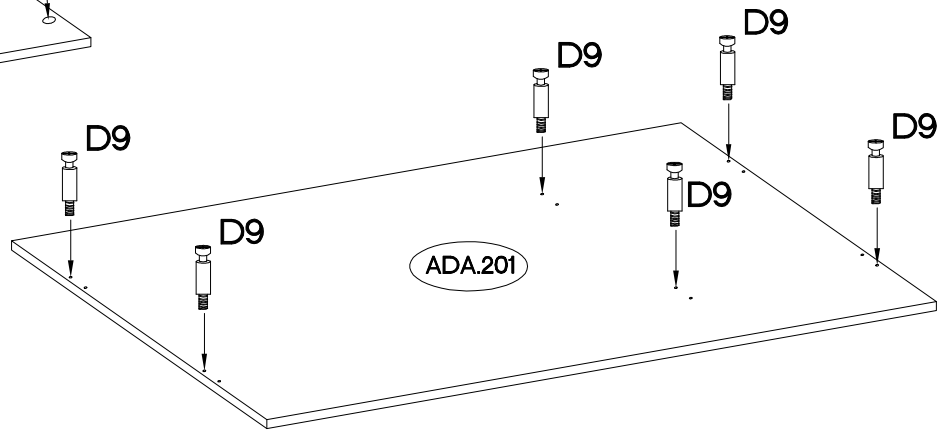
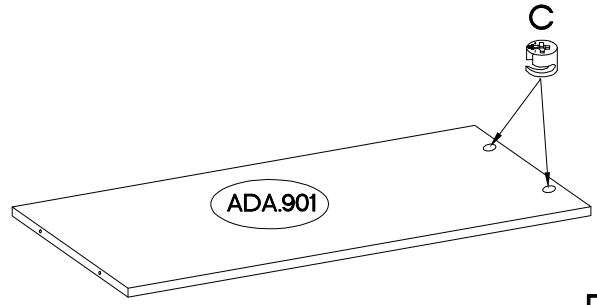
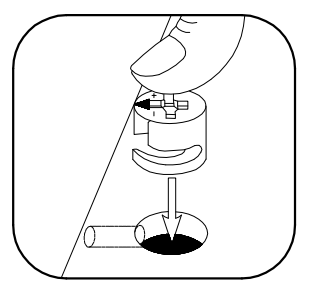
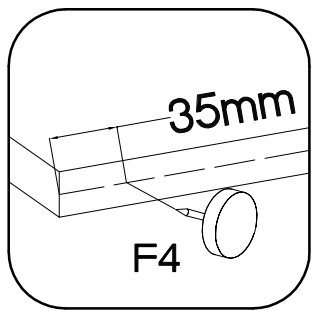
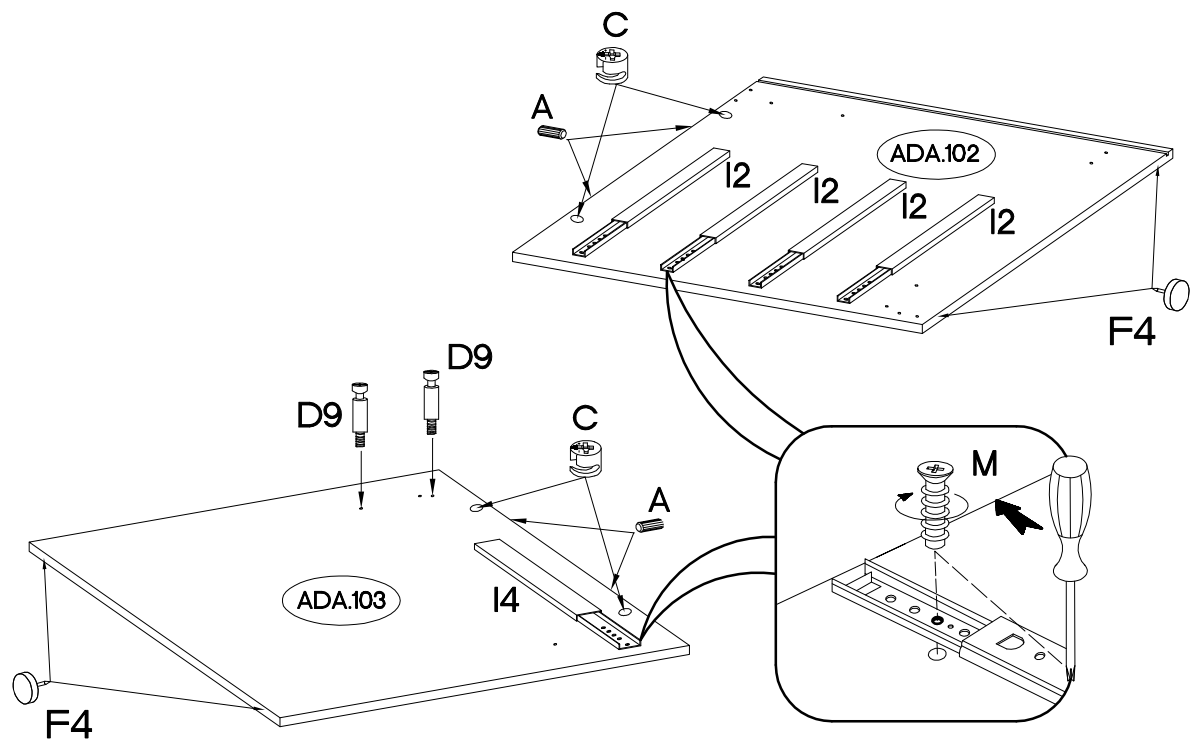
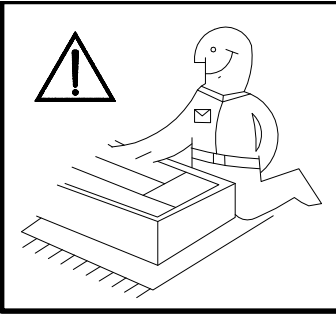


# 11

±8x30mm	±15/12mm	±15x5mm	17/310mm	27/310mm	±5.0x13mm
A	C	F4	I2	I4	M
2	2	2	4	1	10

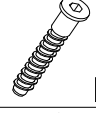




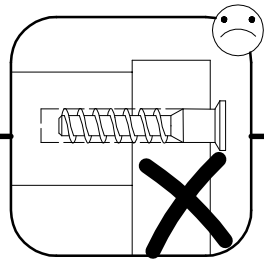
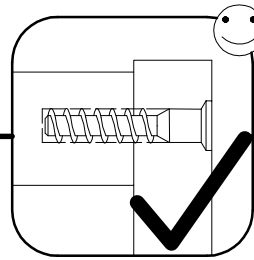
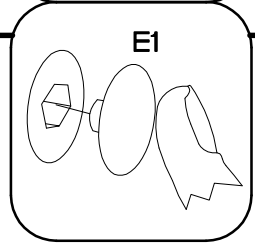
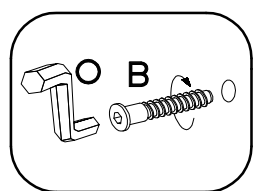
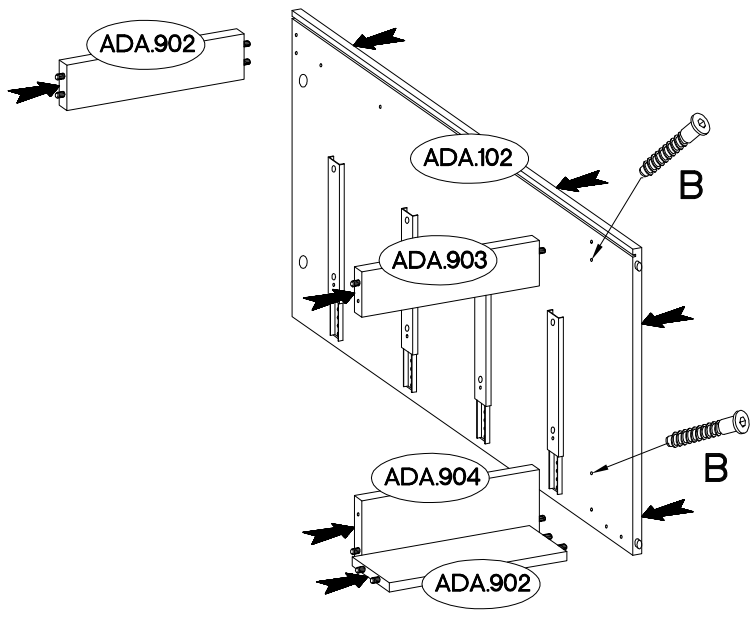
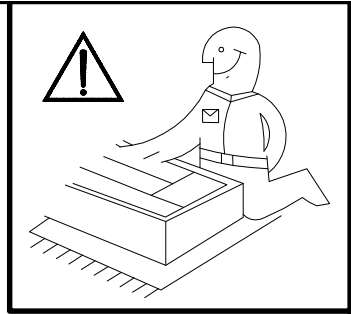
±8x30mm	±15/12mm	L=20/8mm	±15x5mm	17/310mm	27/310mm	±5.0x13mm
16	6	8	4	4	1	10



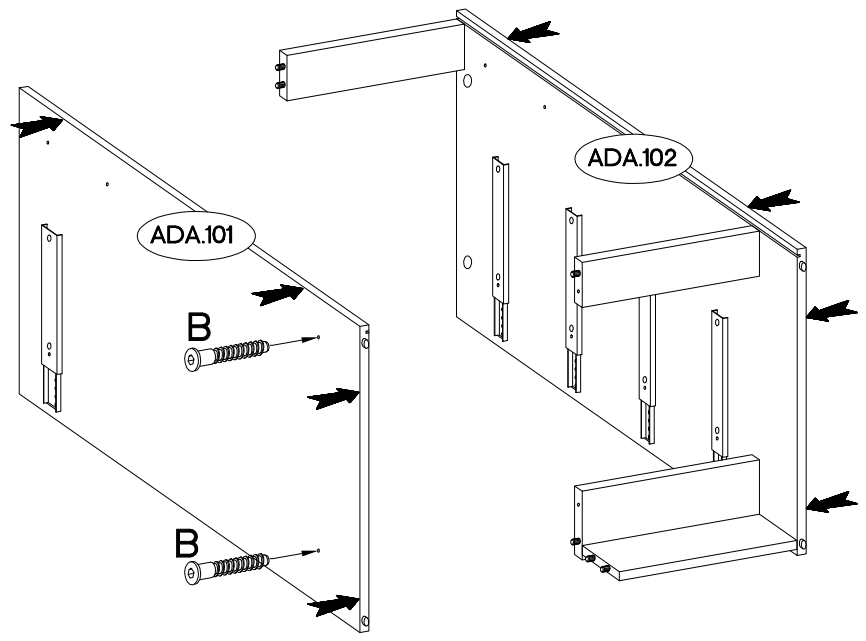
# 13

6,4 x 50mm

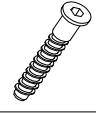


		
B	E1	O
2	2	1



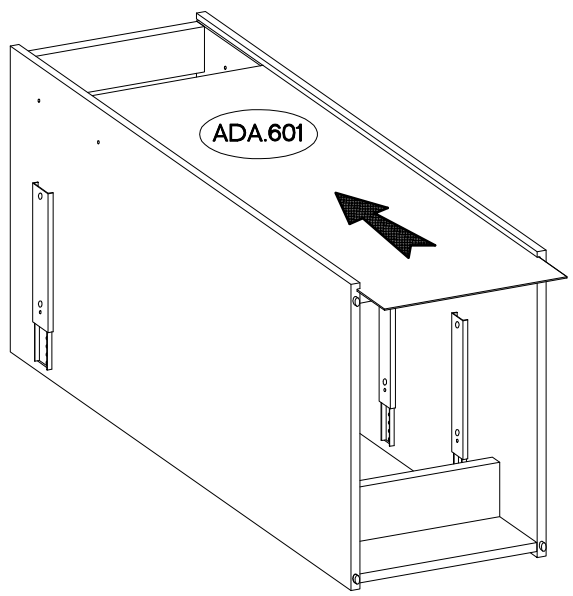
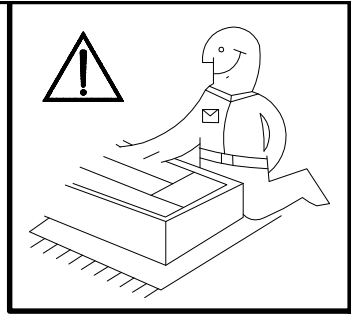
# 14



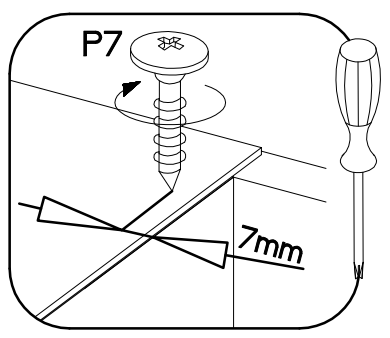
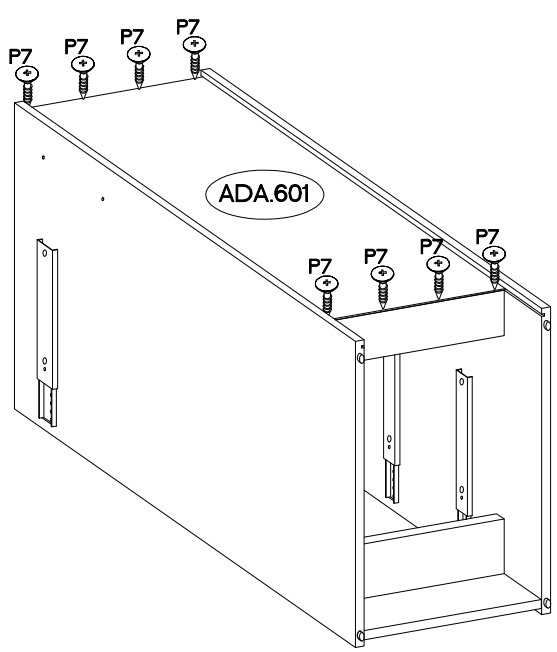
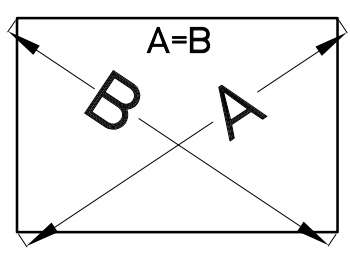
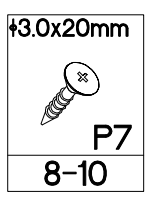
6,4 x 50mm

		
B	E1	O
2	2	1

15



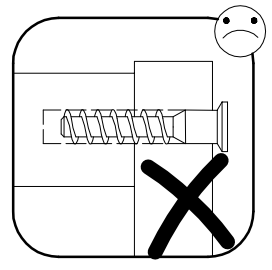
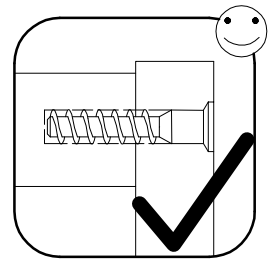
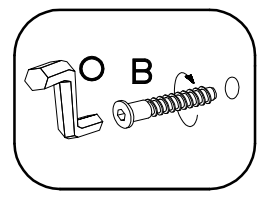
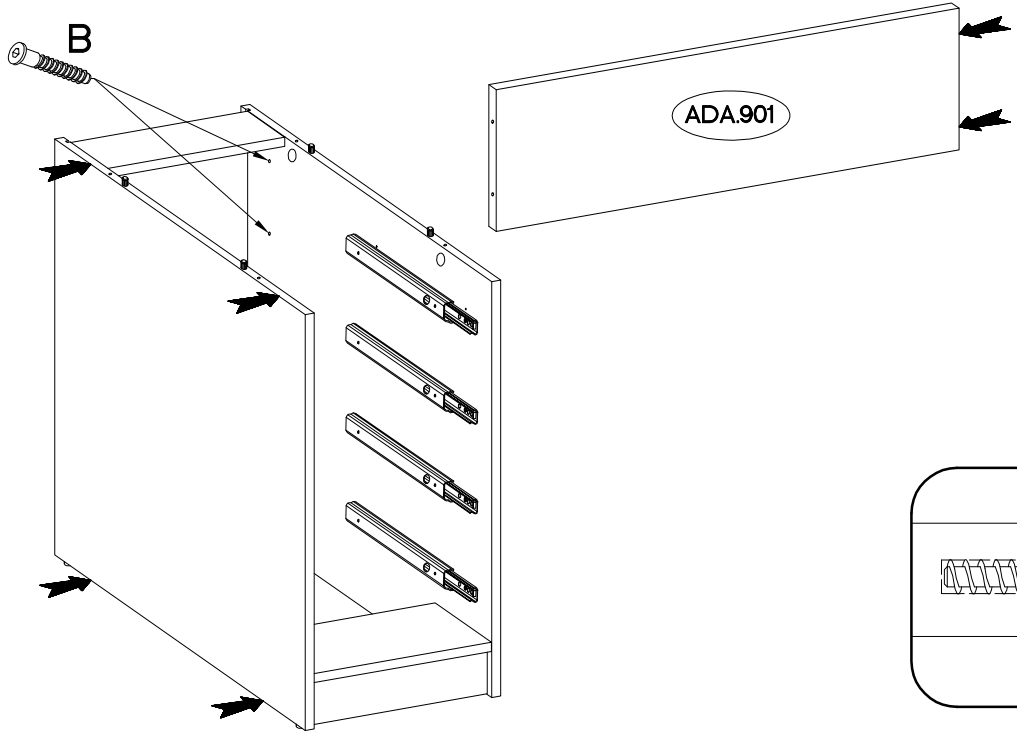
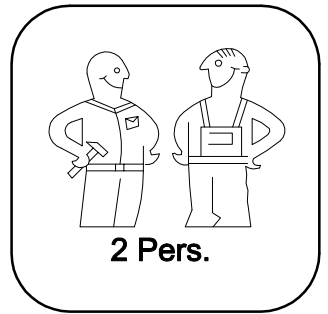
16



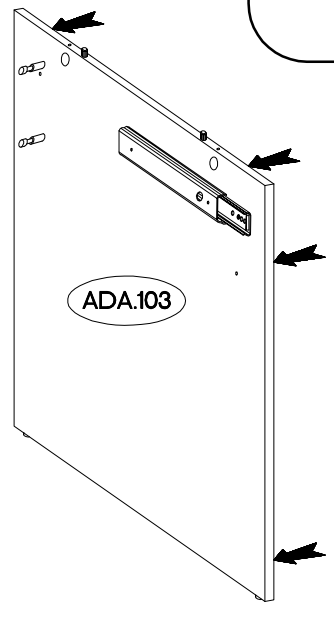
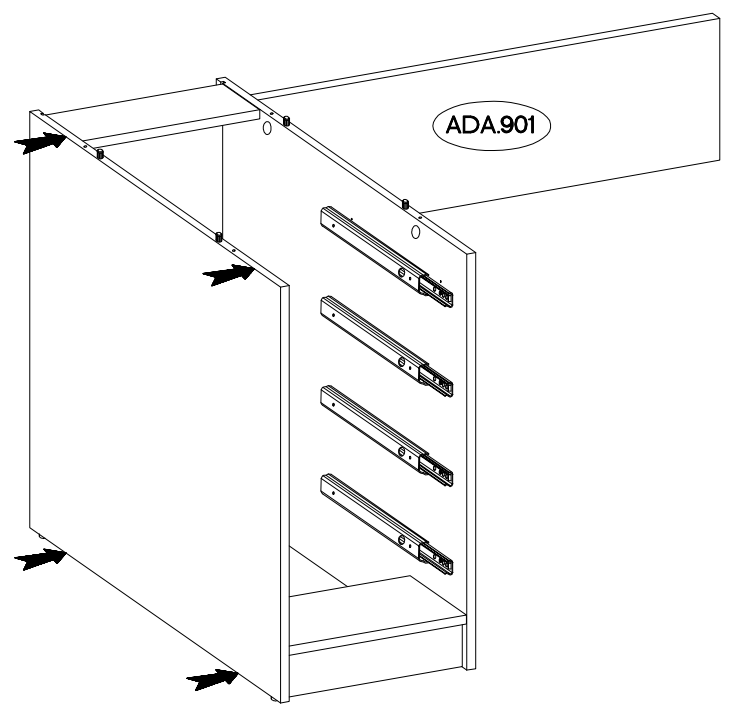
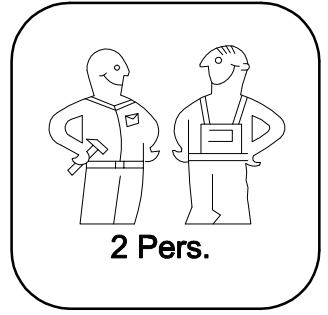
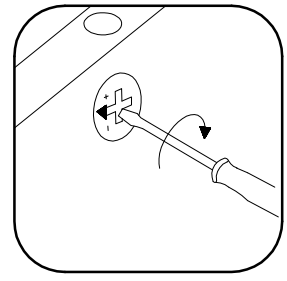
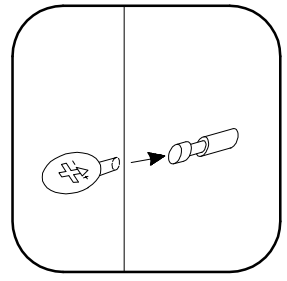
17

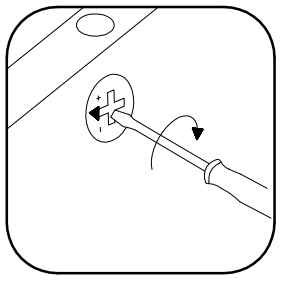
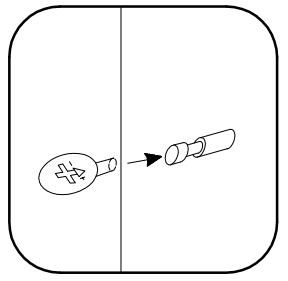
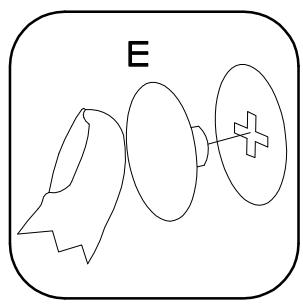
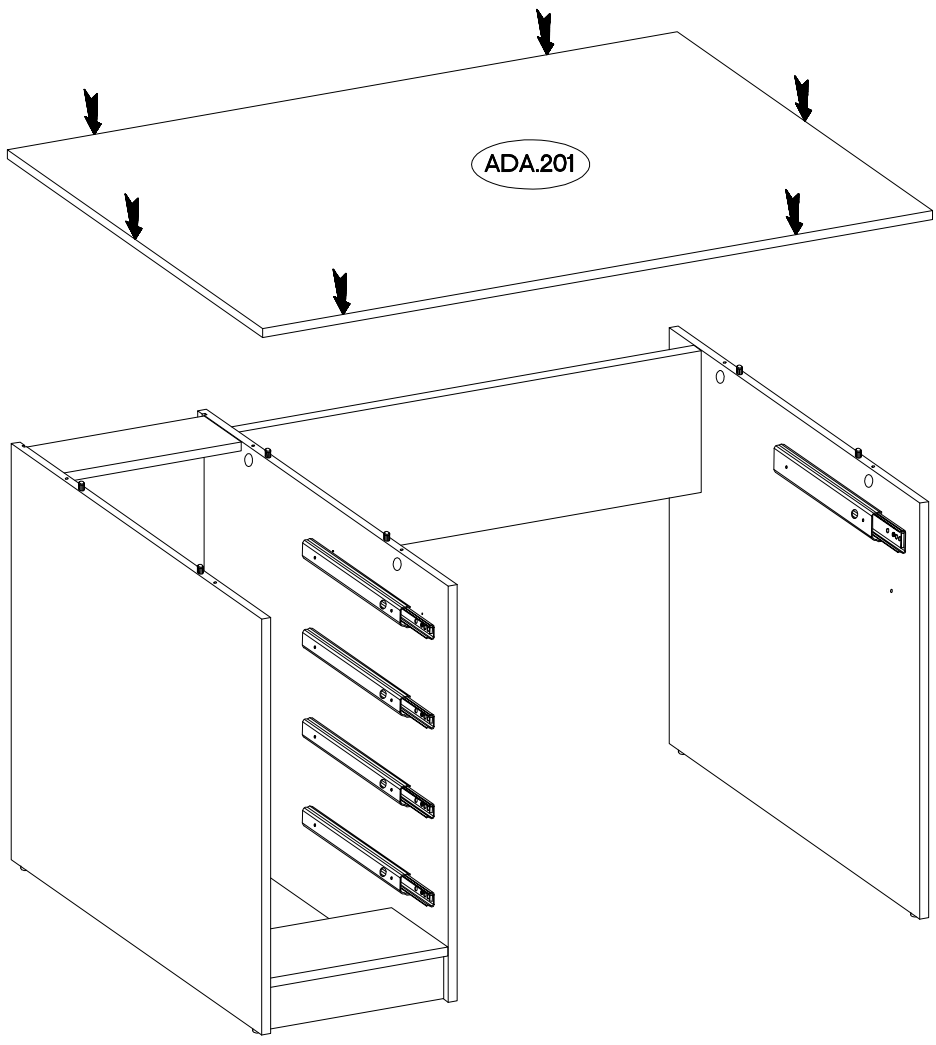
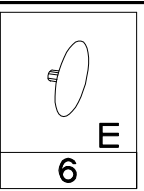
6,4 x 50mm  
B  
2

O  
1



18





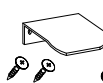
M4x9mm

L=32mm



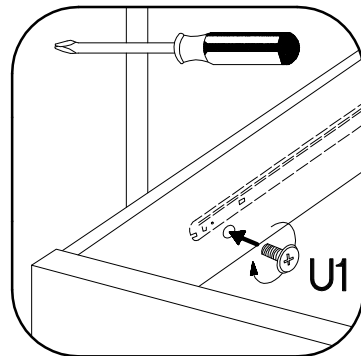
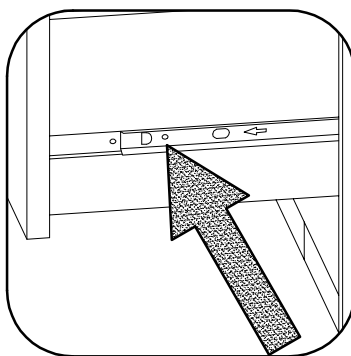
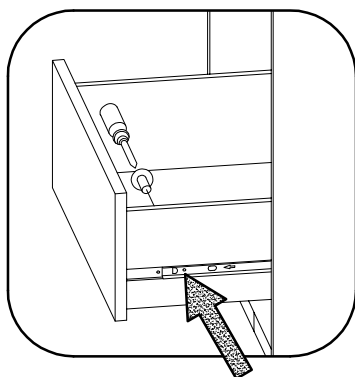
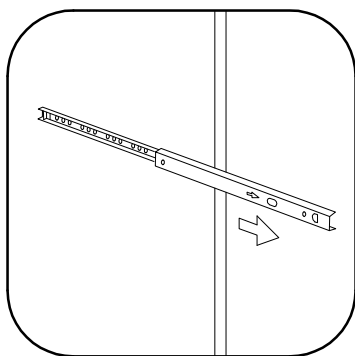
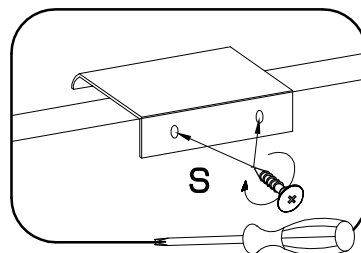
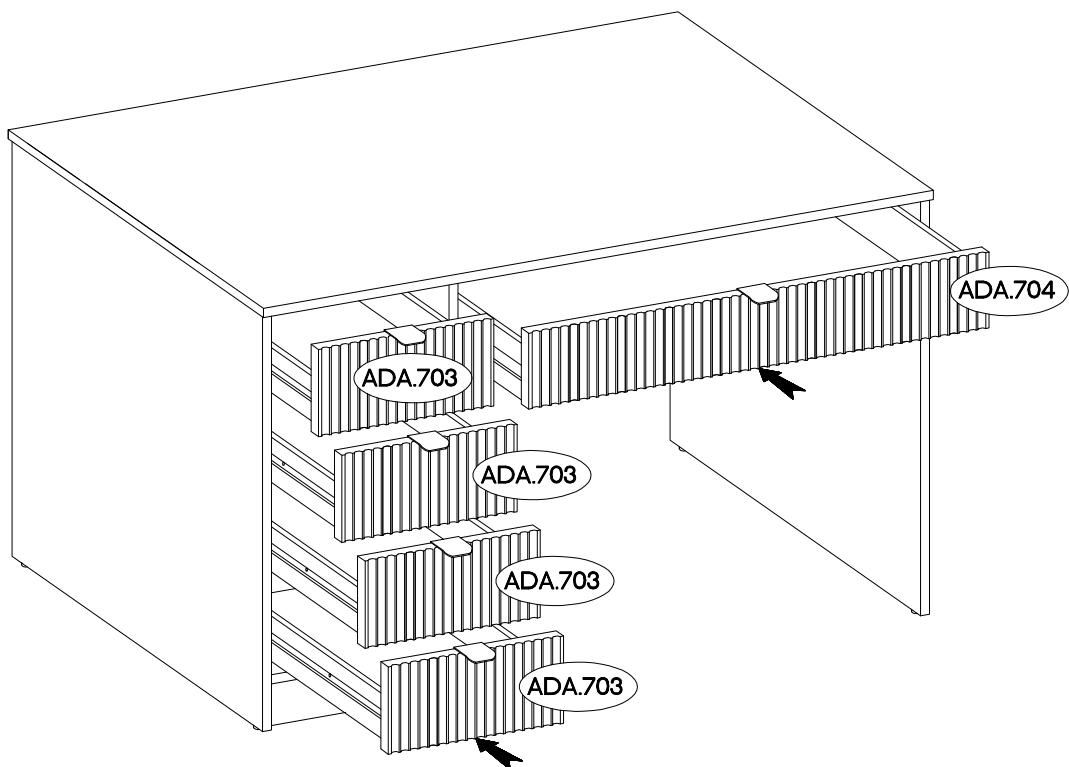
U1

10

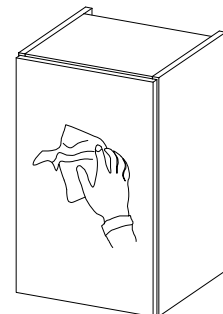
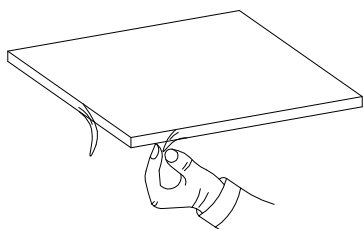


S

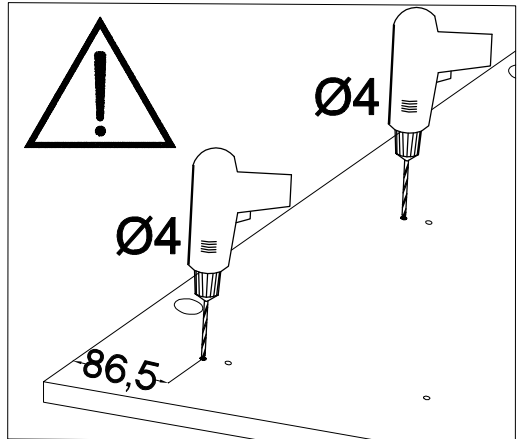
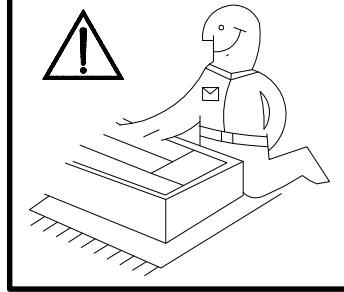
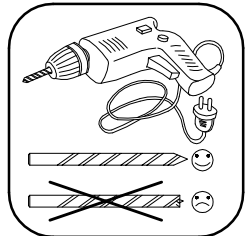
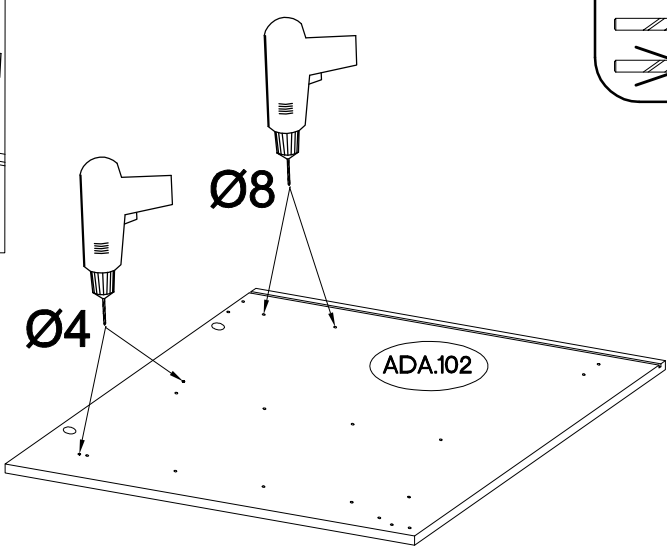
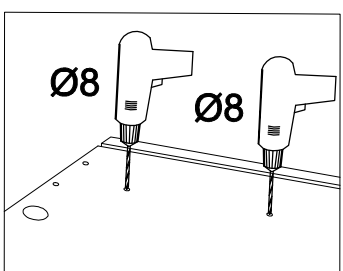
5



### VARIANT HIGH GLOSS

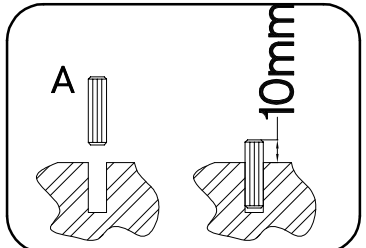
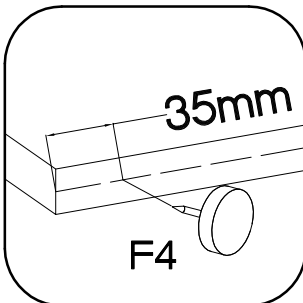
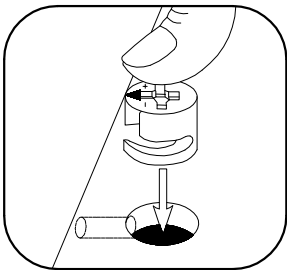
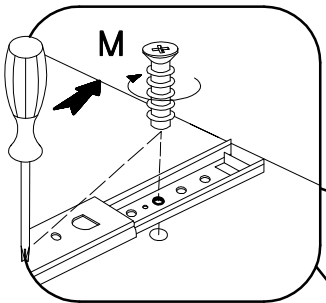
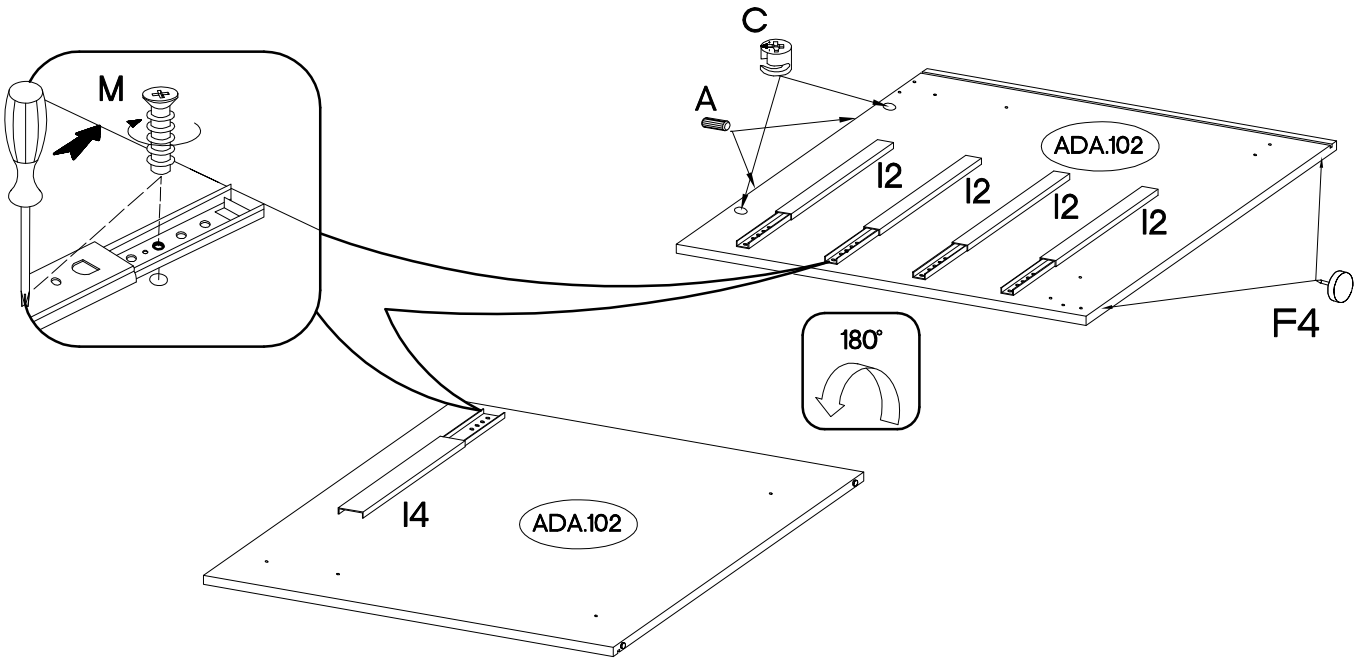







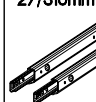

21

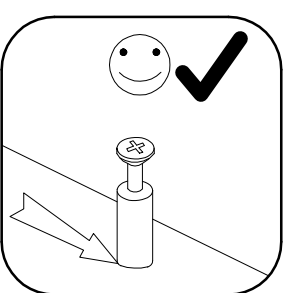
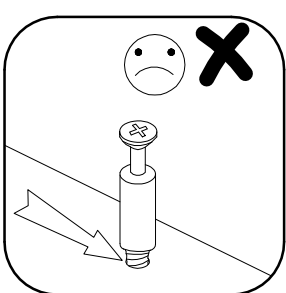
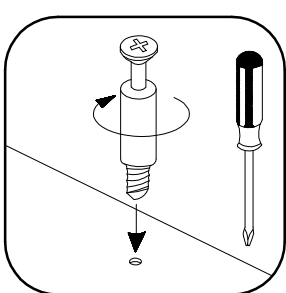
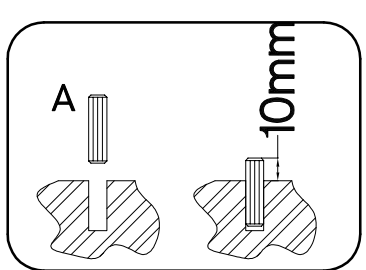
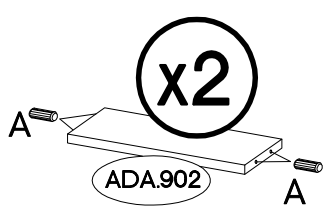
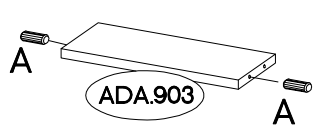
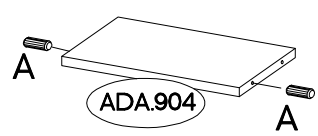
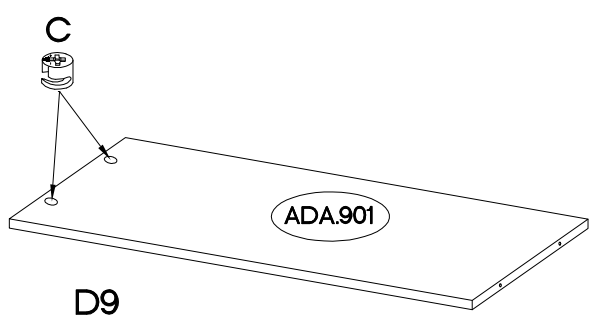
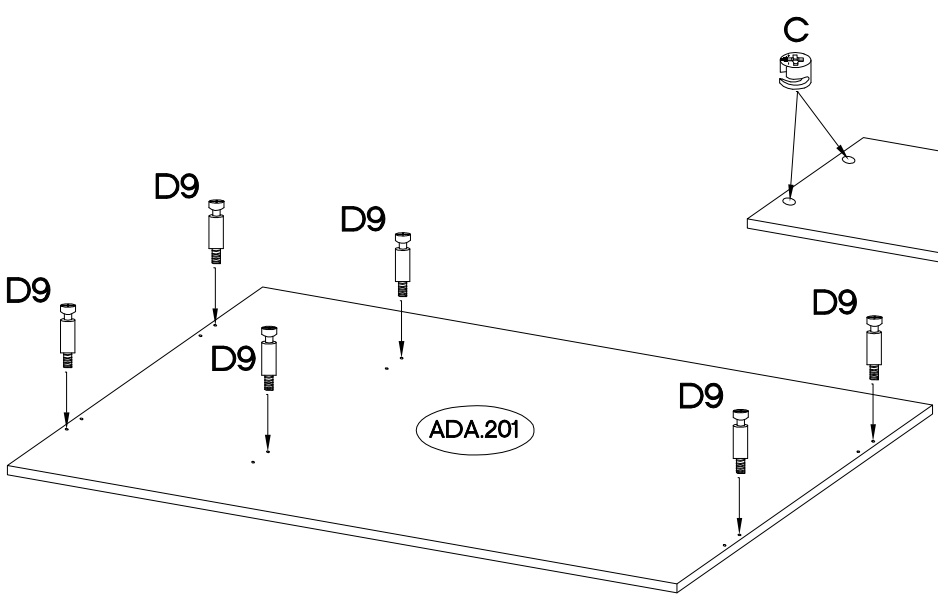
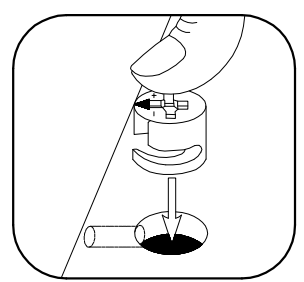
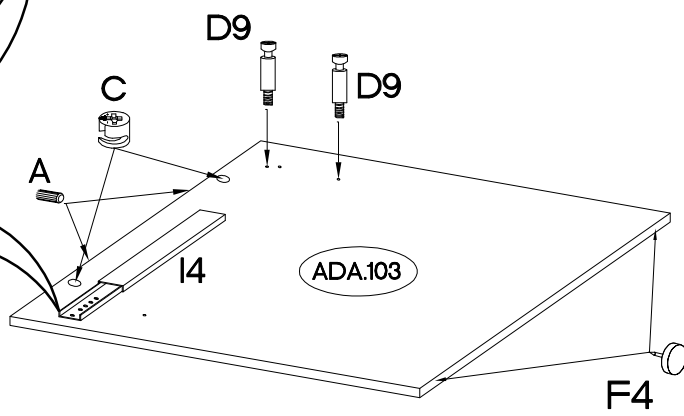
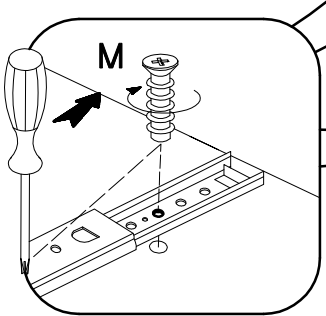
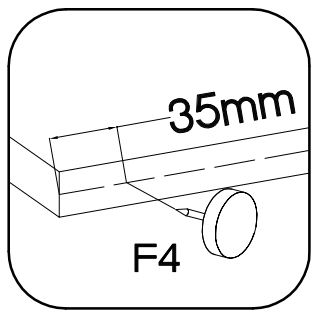
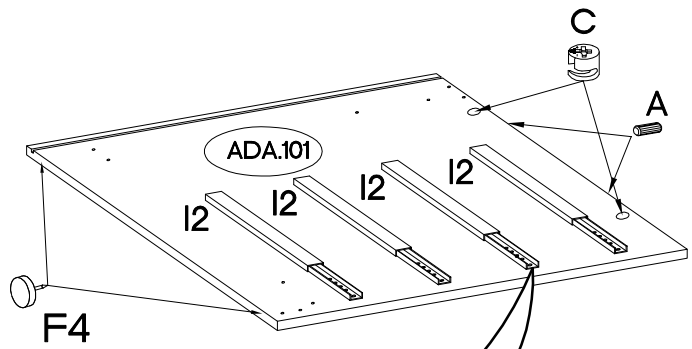
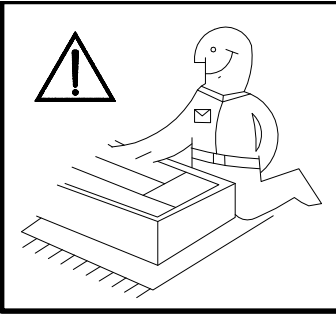


22

†8x30mm 	†15/12mm 	†15x5mm 	17/310mm 	27/310mm 	†5.0x13mm 
A	C	F4	I2	I4	M
2	2	2	4	1	10



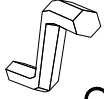


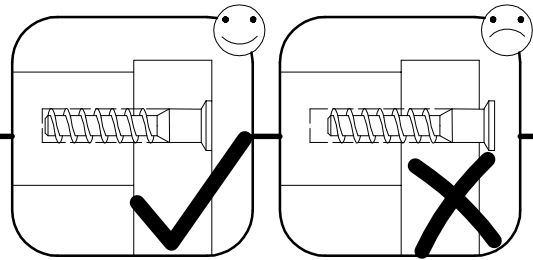
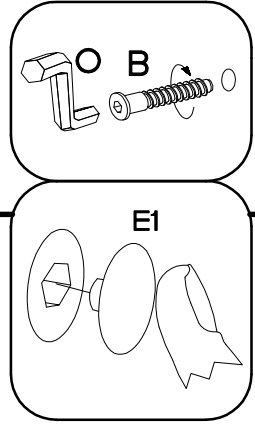
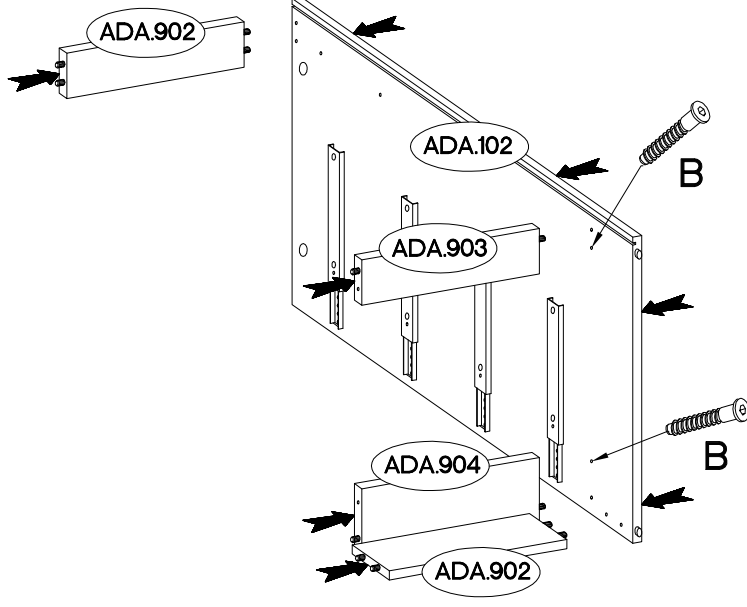
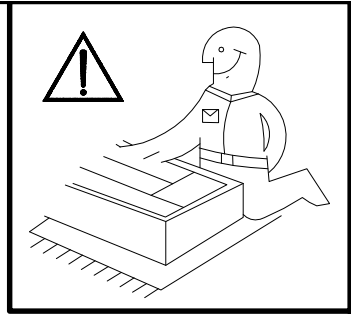
∅8x30mm	∅15/12mm	L=20/8mm	∅15x5mm	17/310mm	27/310mm	∅5.0x13mm
						
16	6	8	4	4	1	10



24



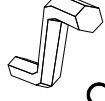
6,4 x 50mm

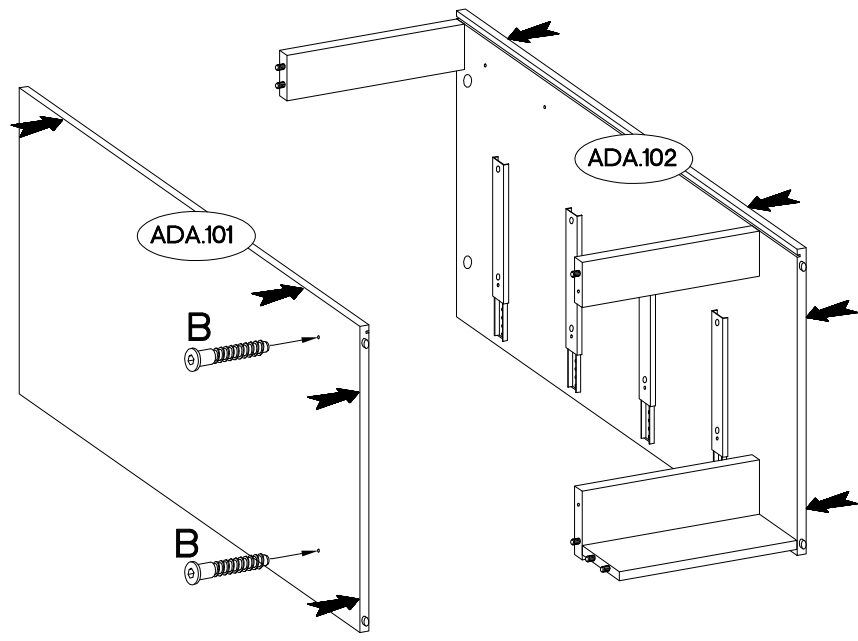
		
B	E1	O
2	2	1



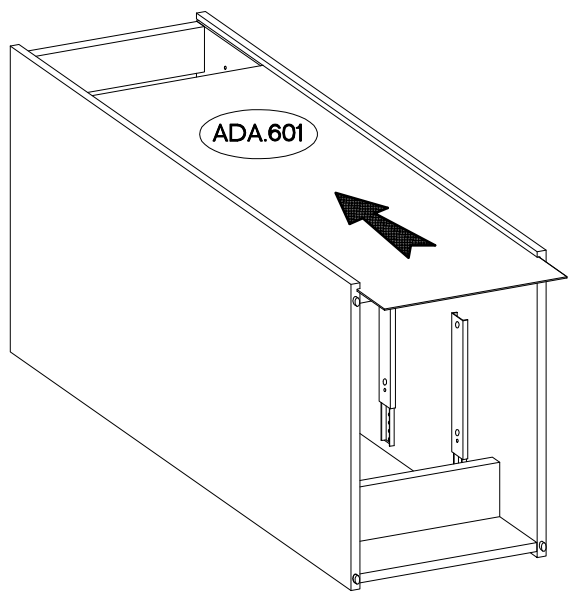
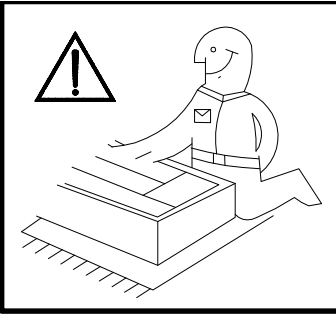
25

6,4 x 50mm

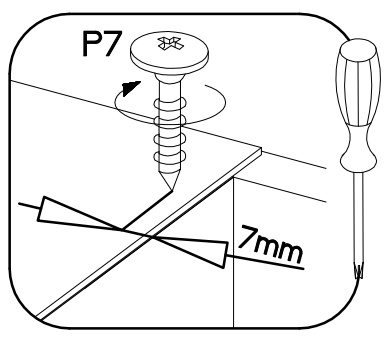
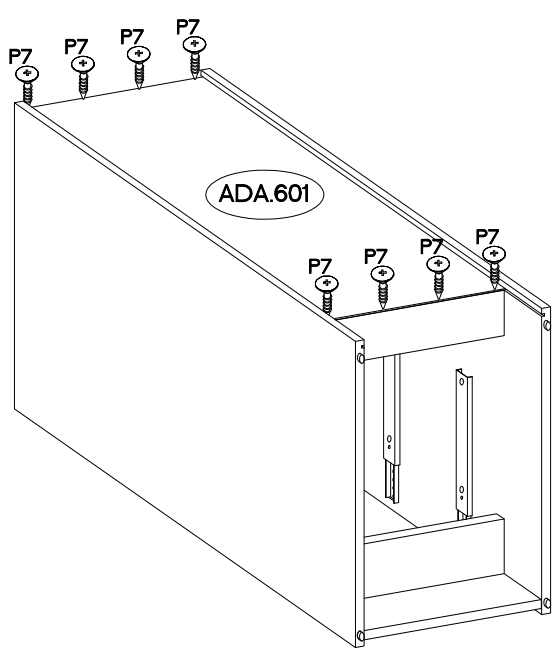
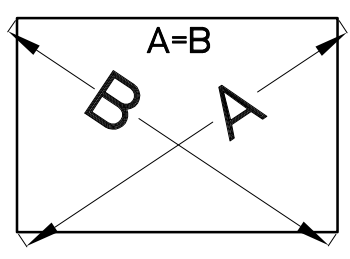
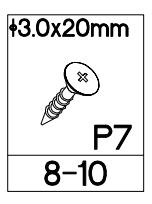
		
B	E1	O
2	2	1



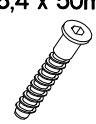
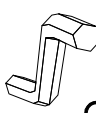
26

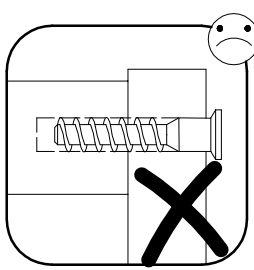
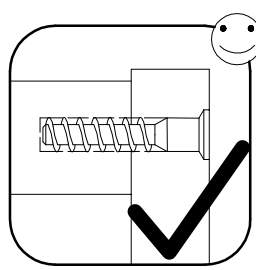
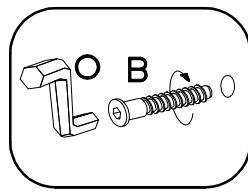
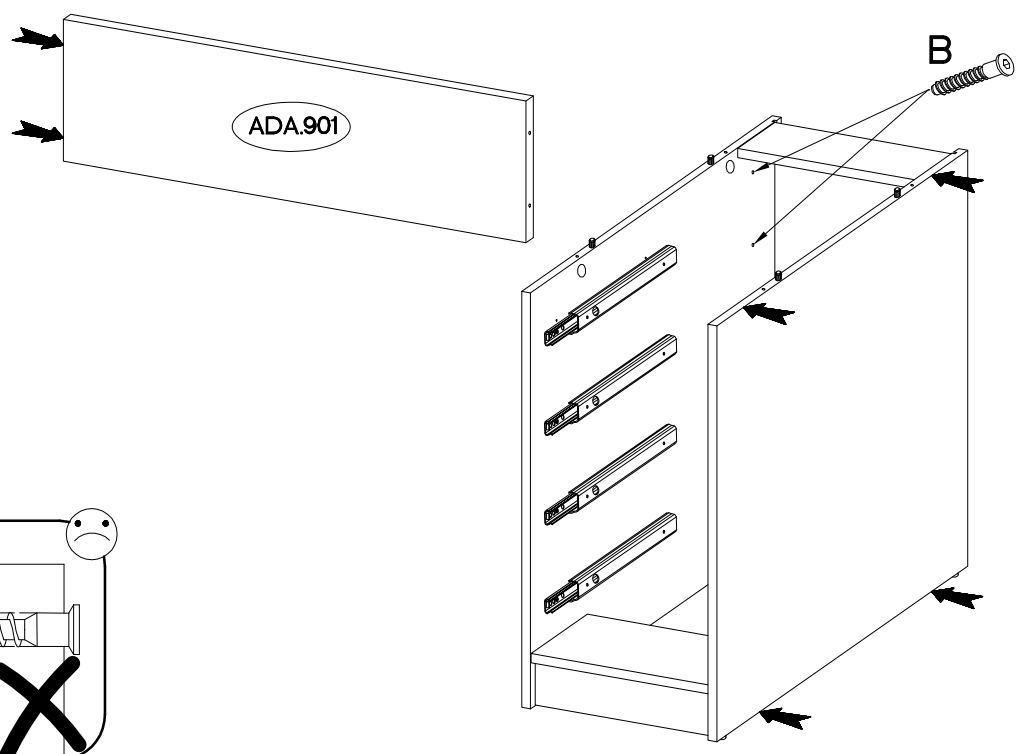
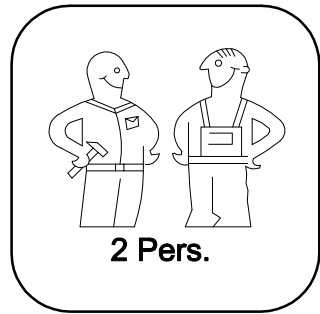


27

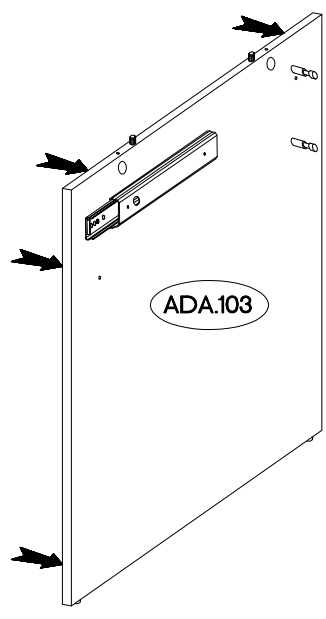
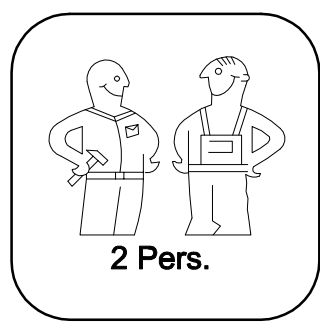
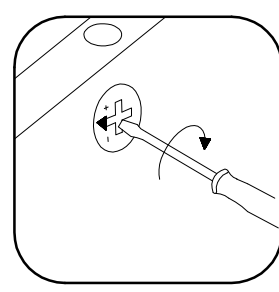
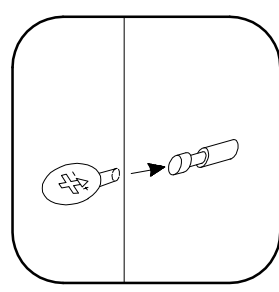


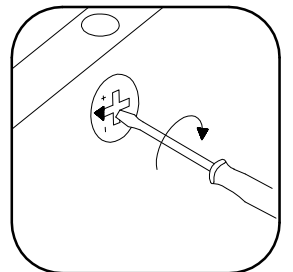
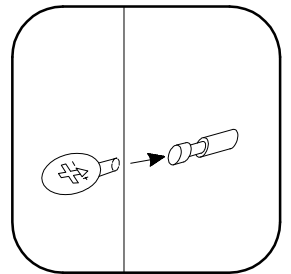
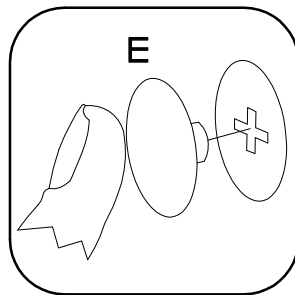
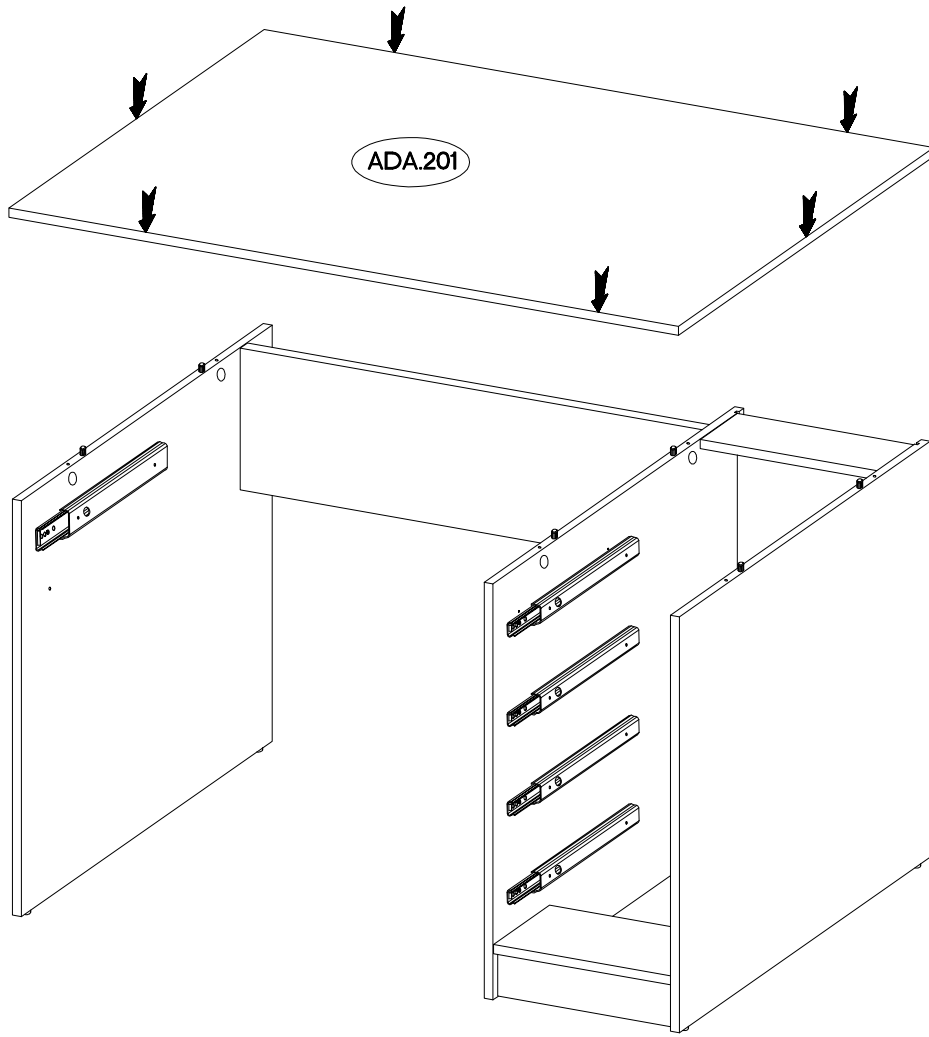
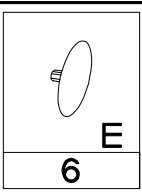
28


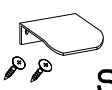
6,4 x 50mm	
	
B	O
2	1

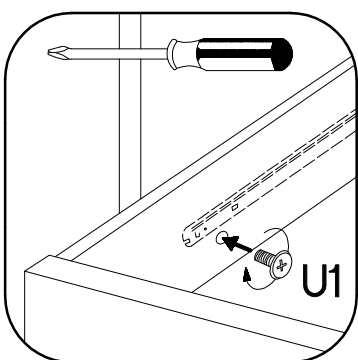
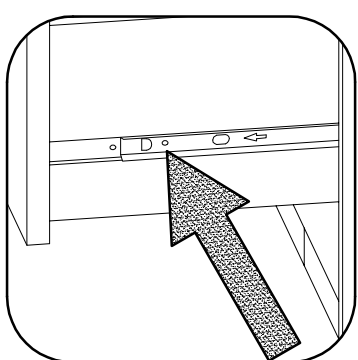
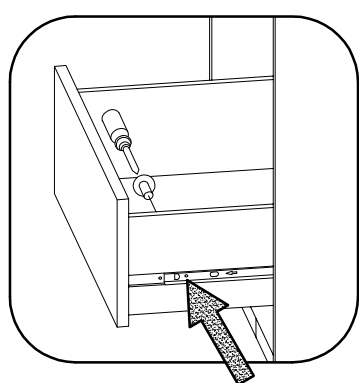
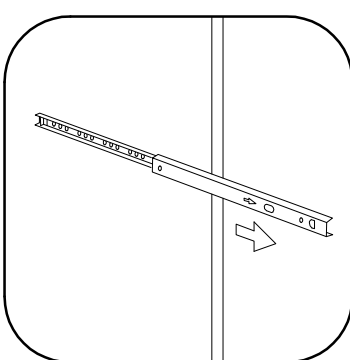
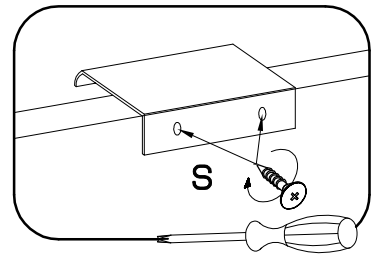
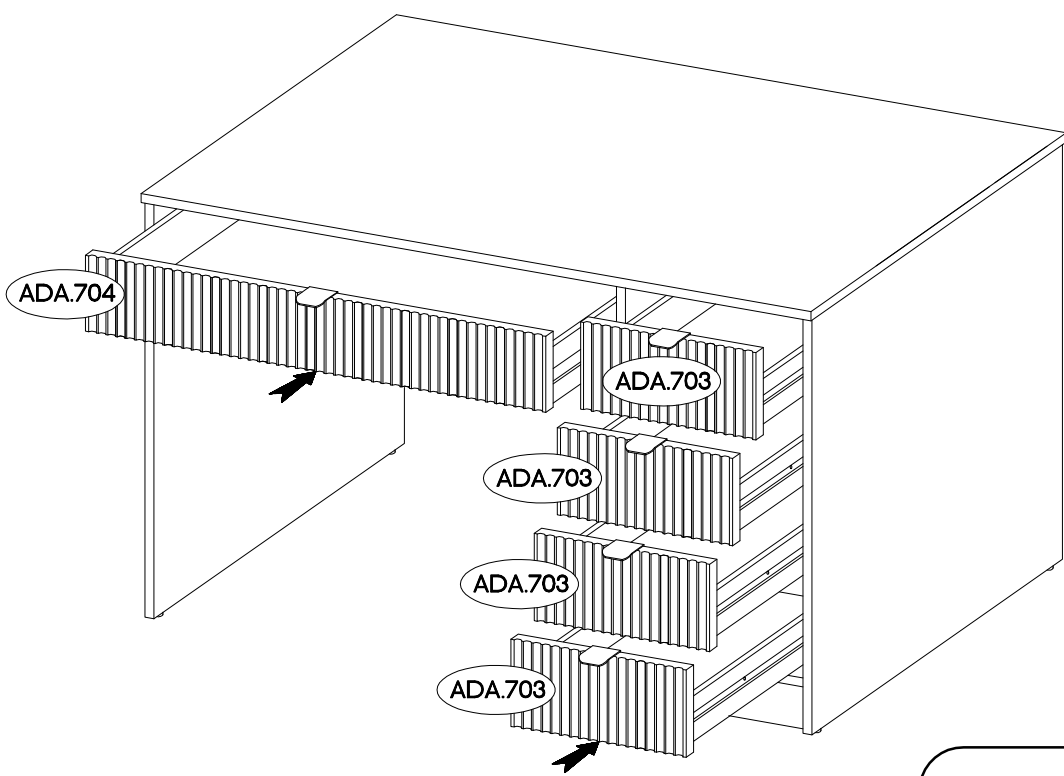


29





M4x9mm	L=32mm
	
U1	S
10	5



## VARIANT HIGH GLOSS

