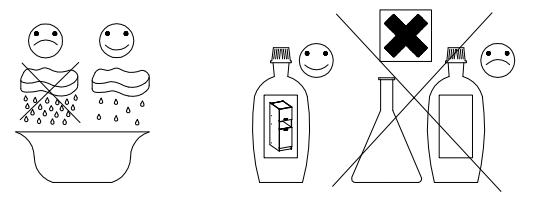
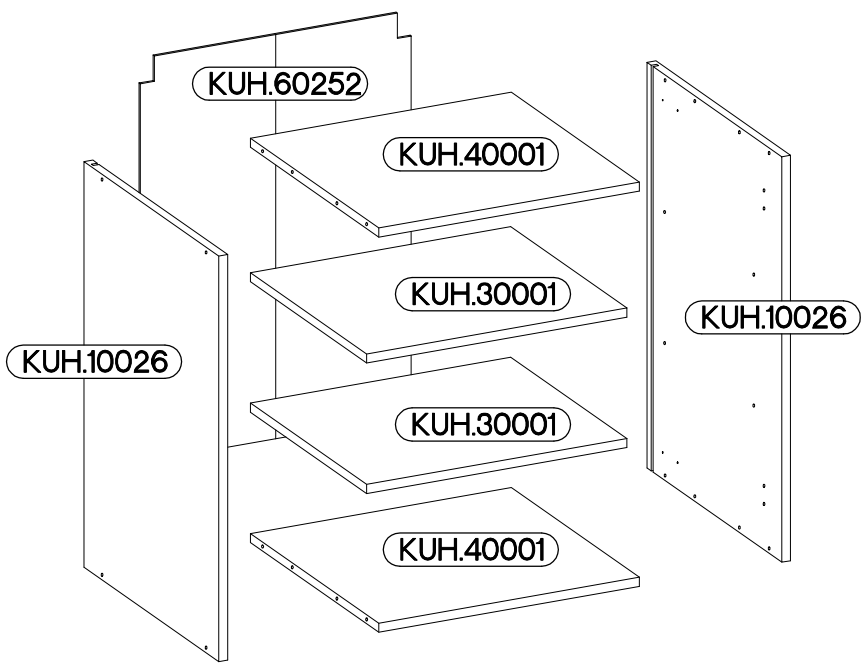
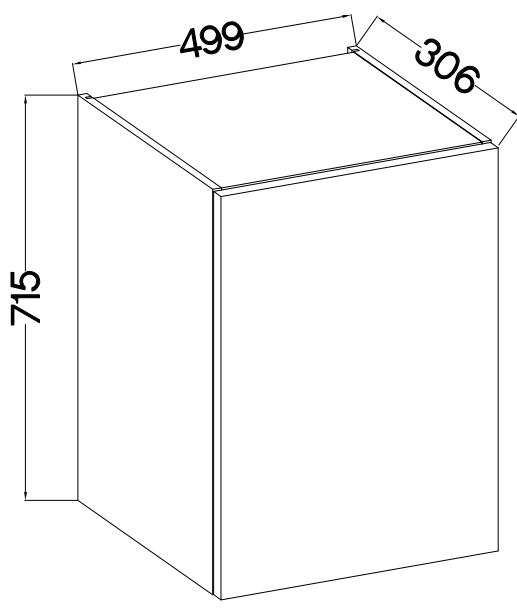
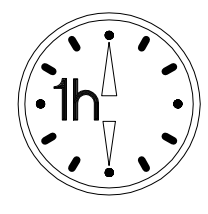


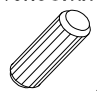




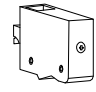
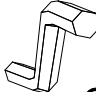


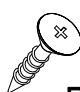
Ø10mm  
50 G-72 1F

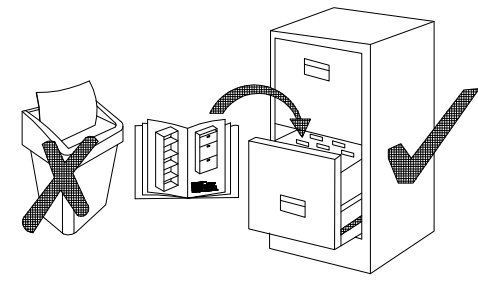


max.  
5kg

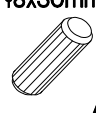

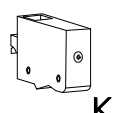
KUH.30001  
KUH.40001

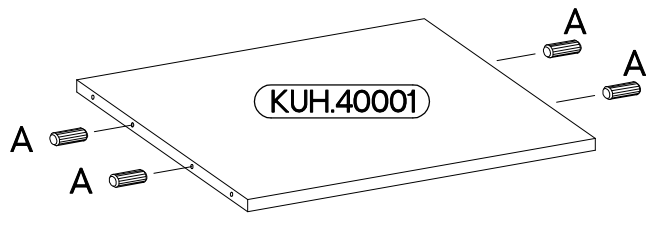
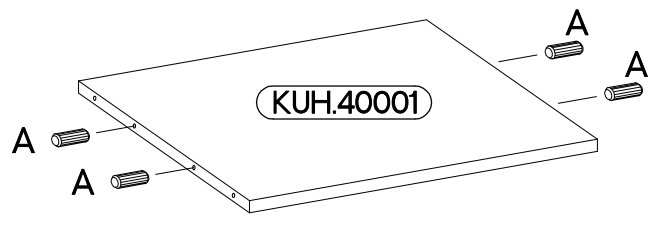
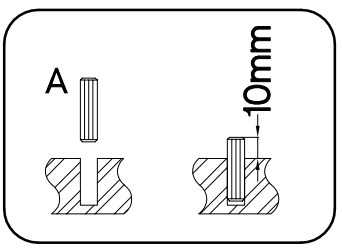
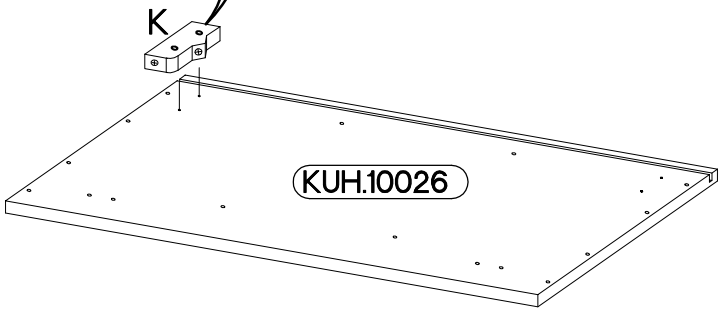
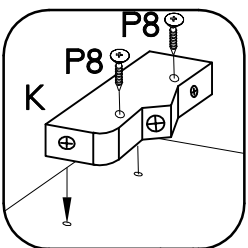
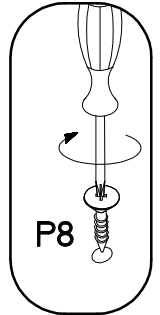
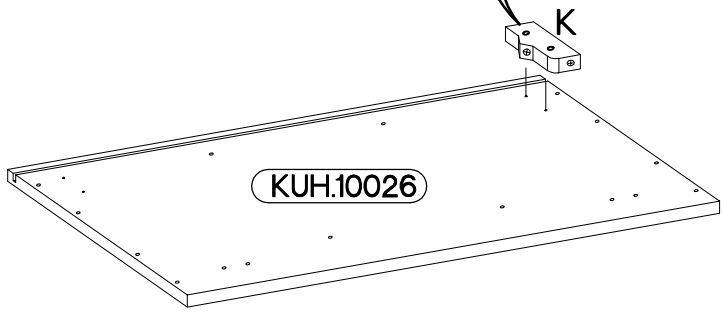
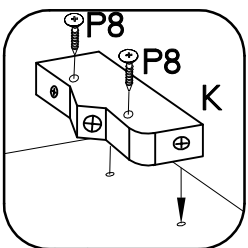
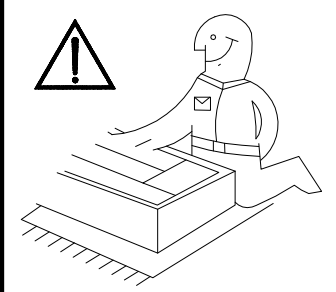


 <b>8x30mm</b> <b>A</b> 8	 <b>6,4 x 50mm</b> <b>B</b> 8	 <b>E1</b> 8	 <b>±35/0mm</b> <b>HG</b> 2		
 <b>±5/19mm</b> <b>J</b> 8	 <b>K</b> 2	 <b>O</b> 1	 <b>±3.5x13mm</b> <b>P5</b> 4	 <b>±3.0x20mm</b> <b>P7</b> 8-10	 <b>±4.0x30mm</b> <b>P8</b> 4

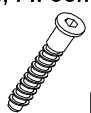
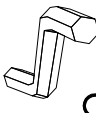



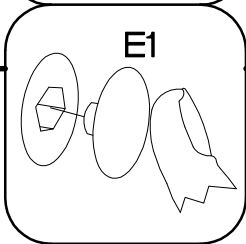
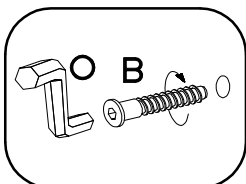
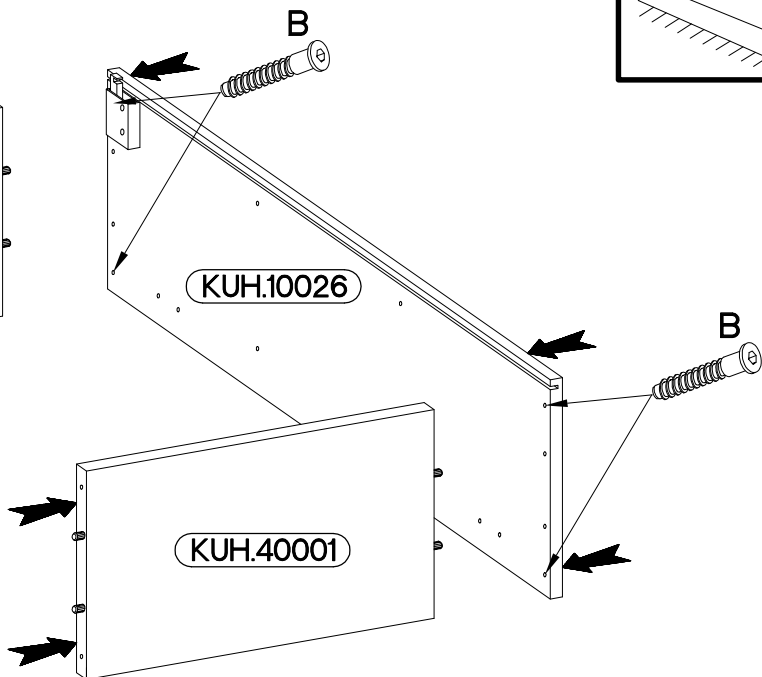
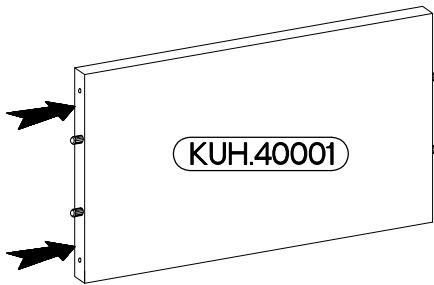
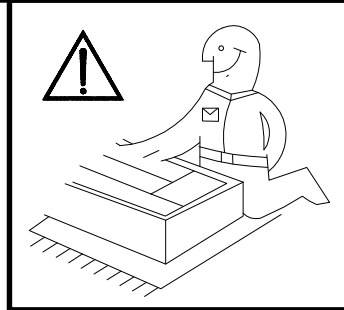
ISM-KUH-01137

 A 8	 P8 4	 K 2
--	---	--

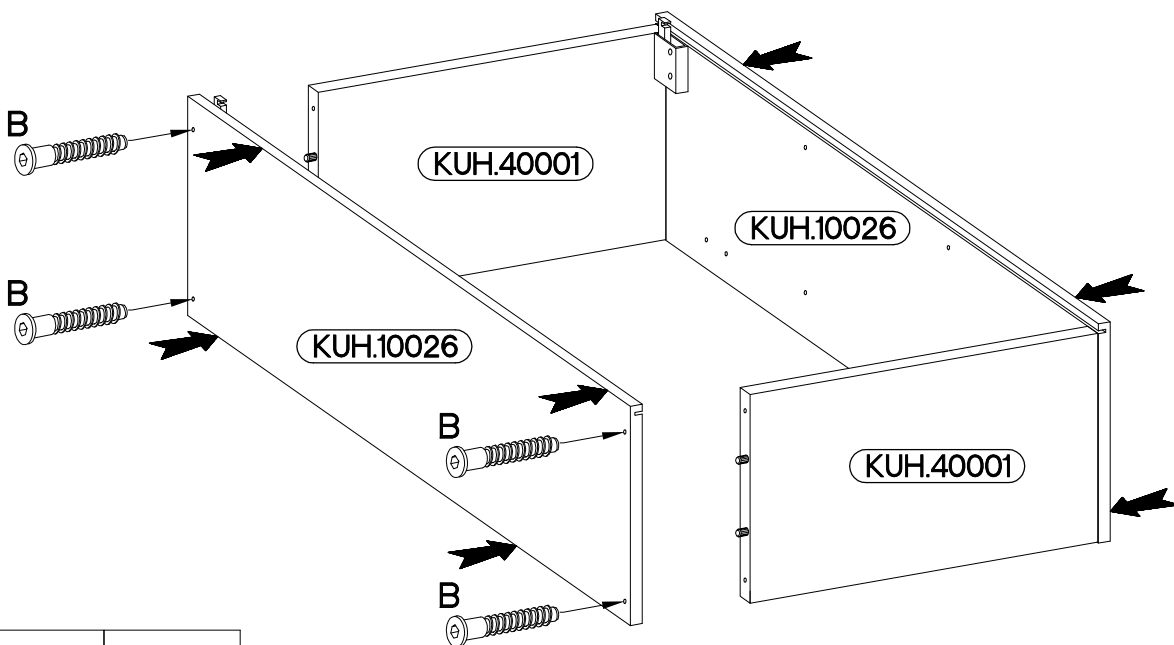


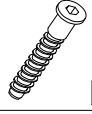
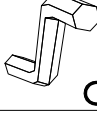

2

6,4 x 50mm		
		
<b>B</b>	<b>O</b>	<b>E1</b>
4	1	4

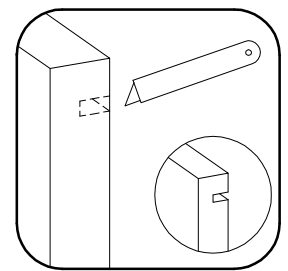
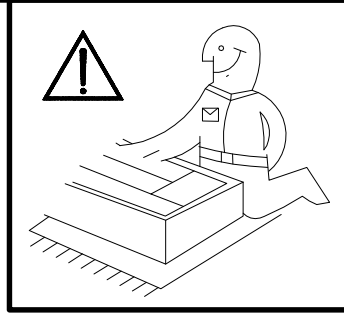
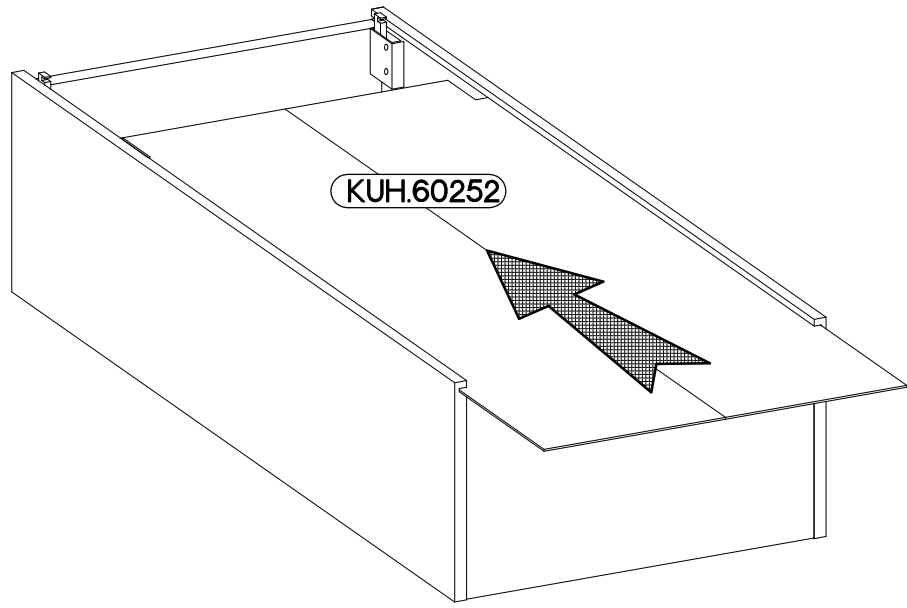


3

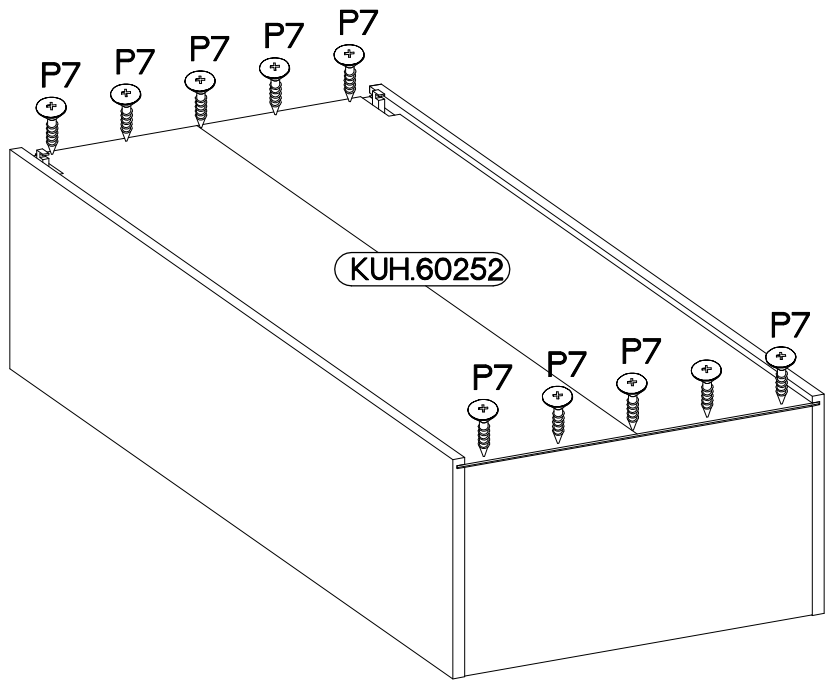
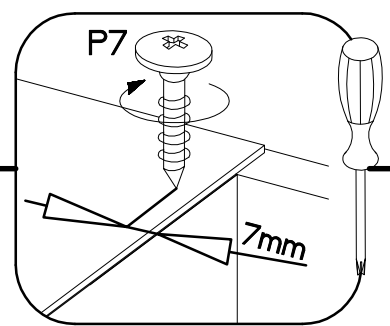
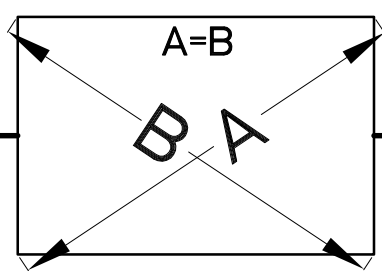
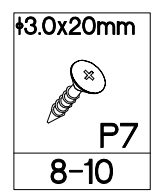


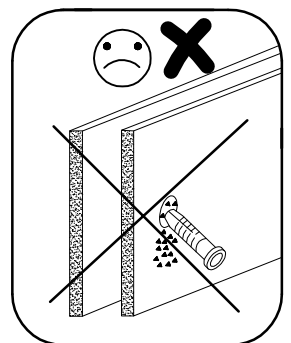
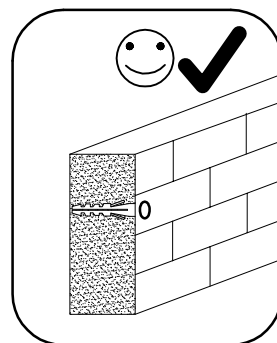
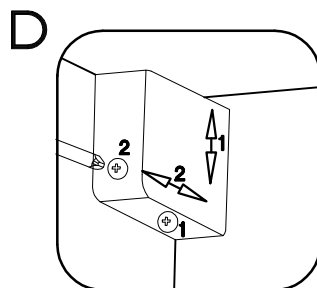
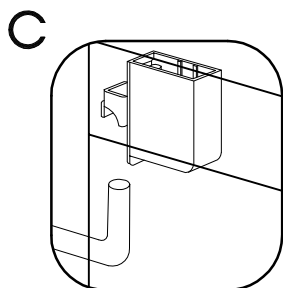
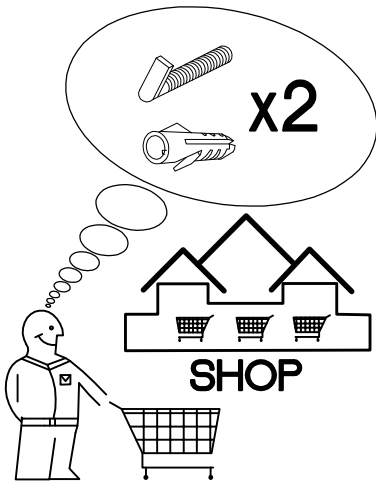
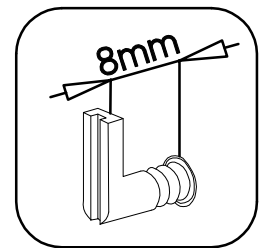
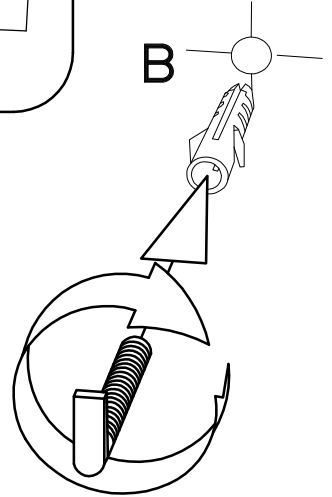
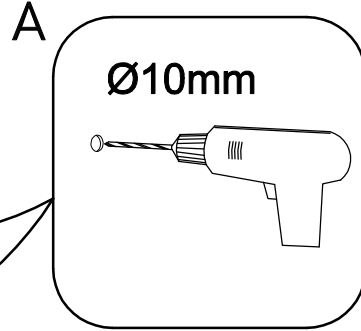
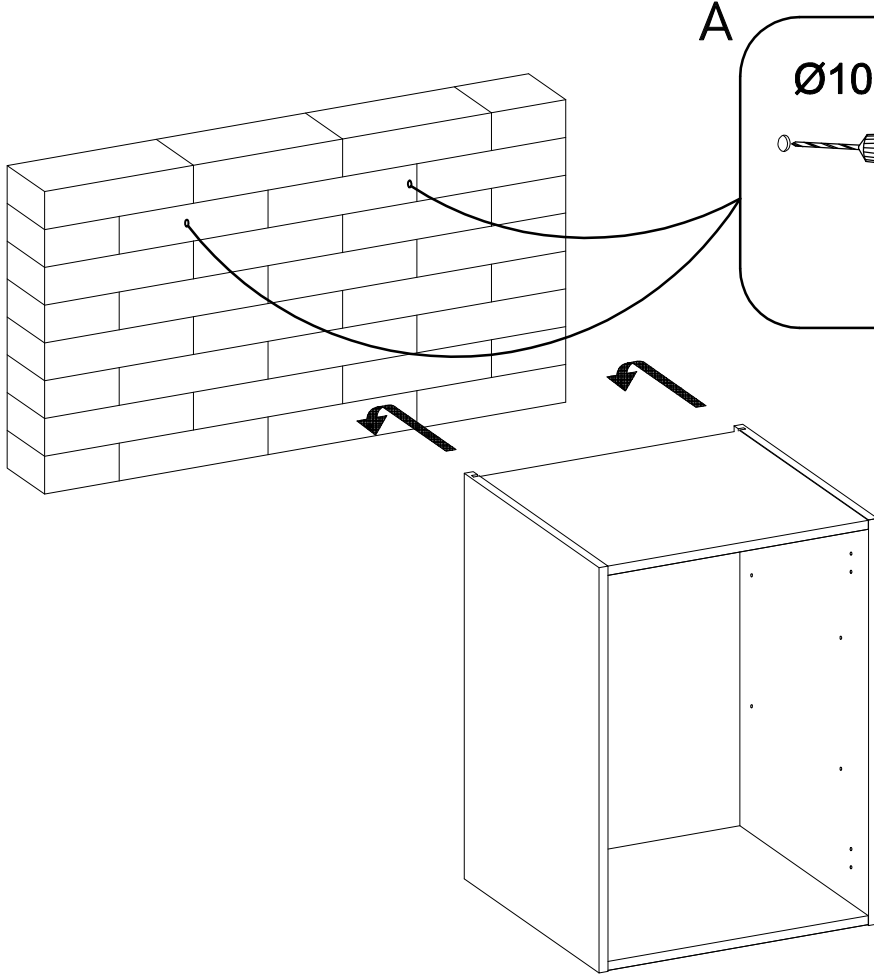
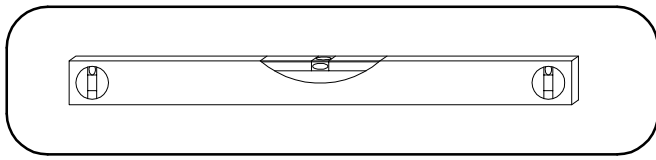
6,4 x 50mm		
		
<b>B</b>	<b>O</b>	<b>E1</b>
4	1	4

4

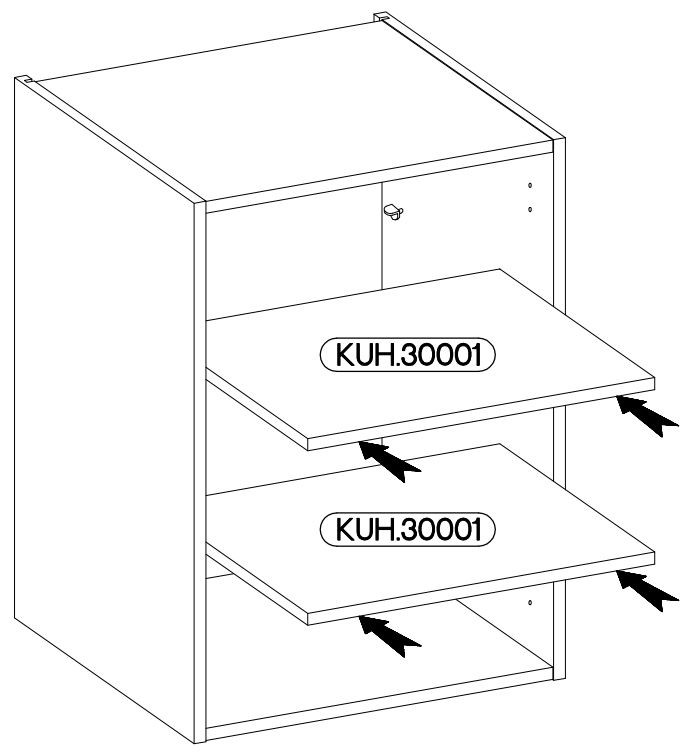
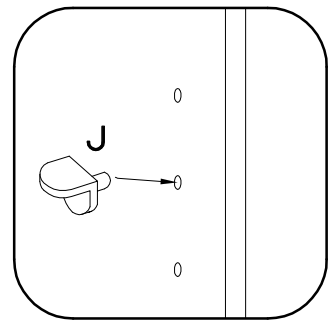
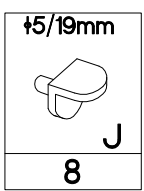


5



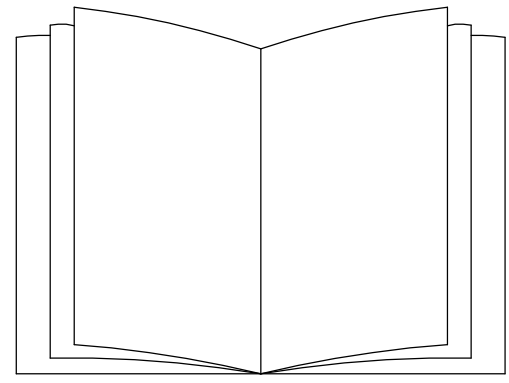
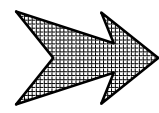
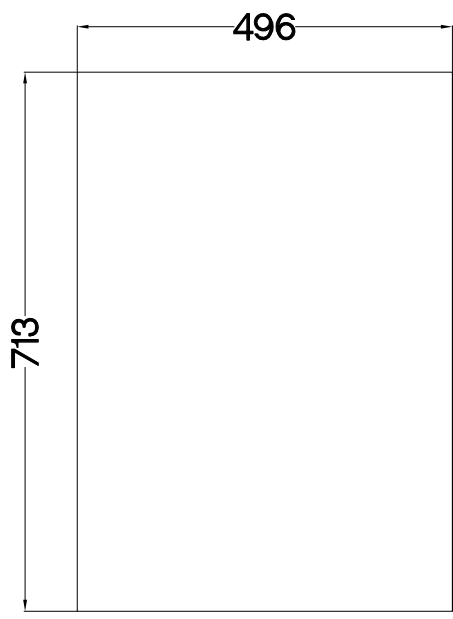


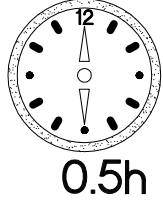
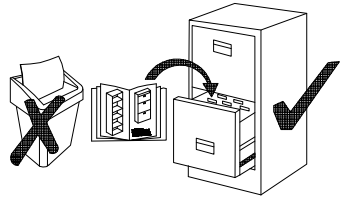
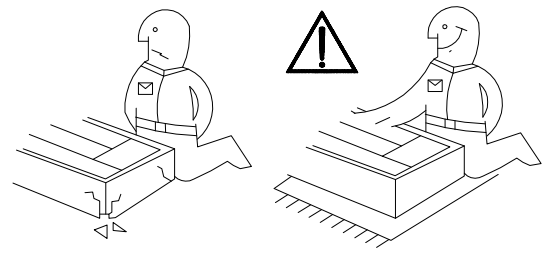
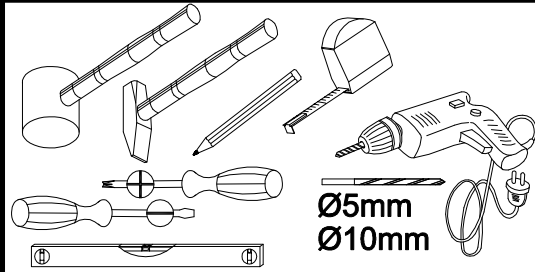
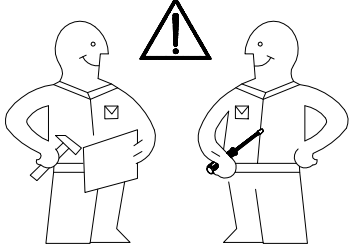
7



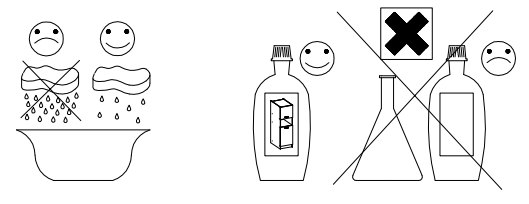
8

FRONT

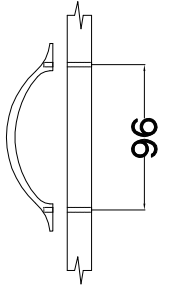
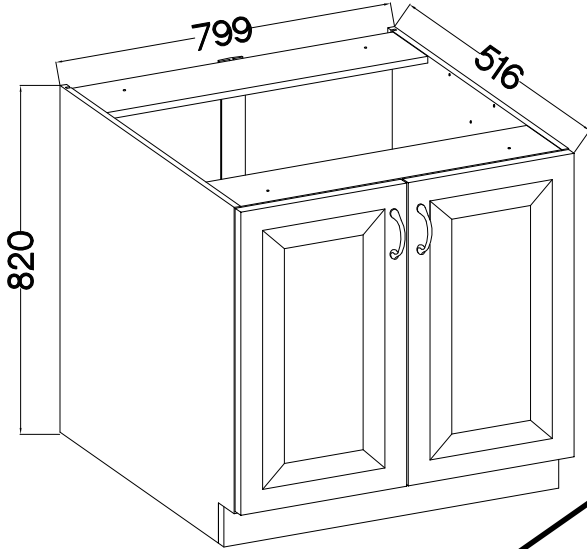




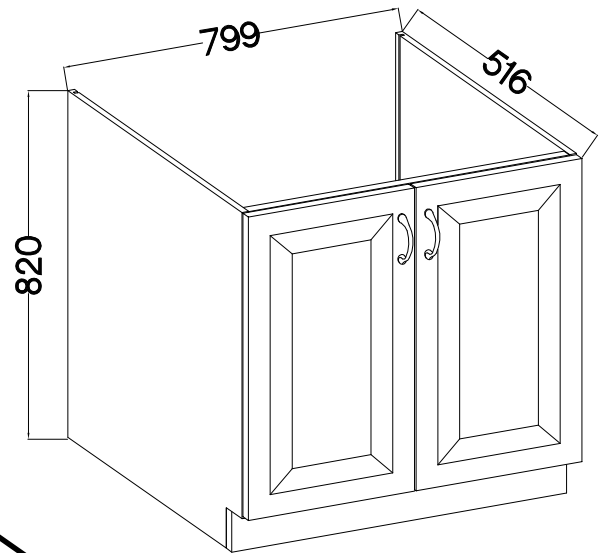
FRONT



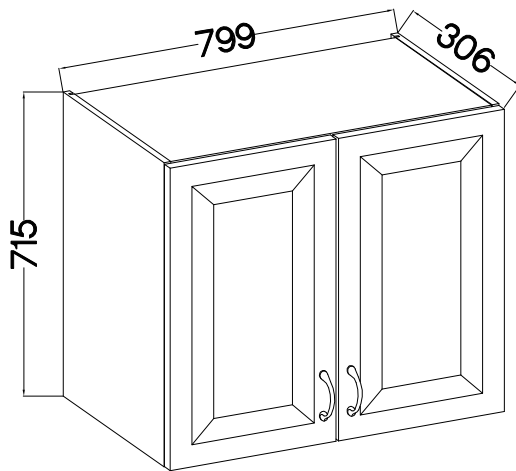
80 D 2F BB



80 ZL 2F BB

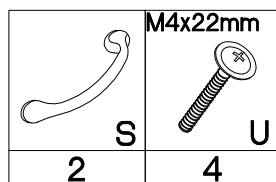


80 G-72 2F



KUH.70769

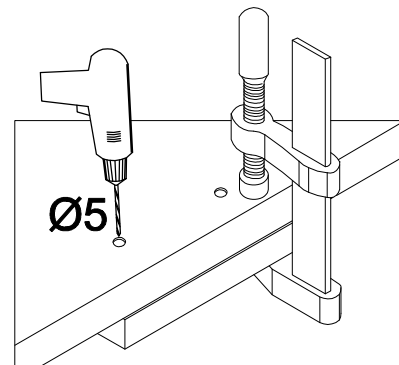
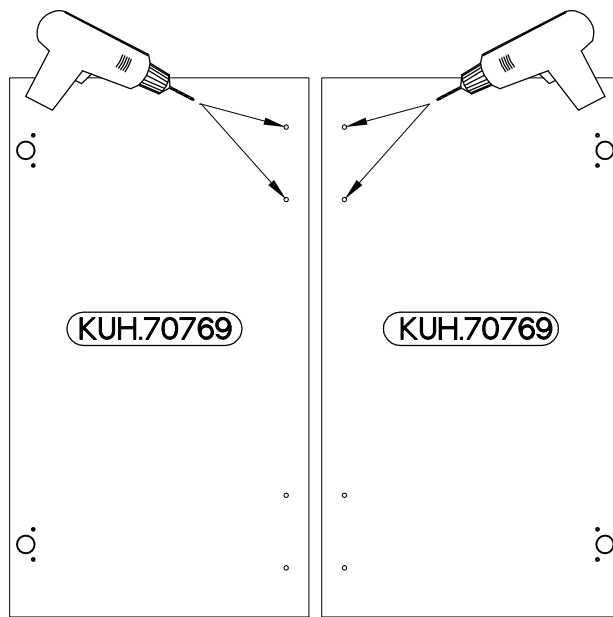
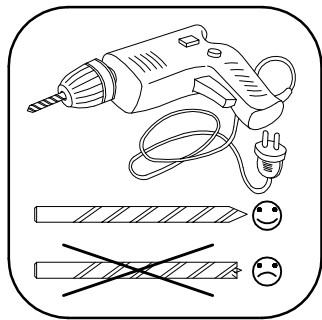
KUH.70769



ISM-KUH-01203

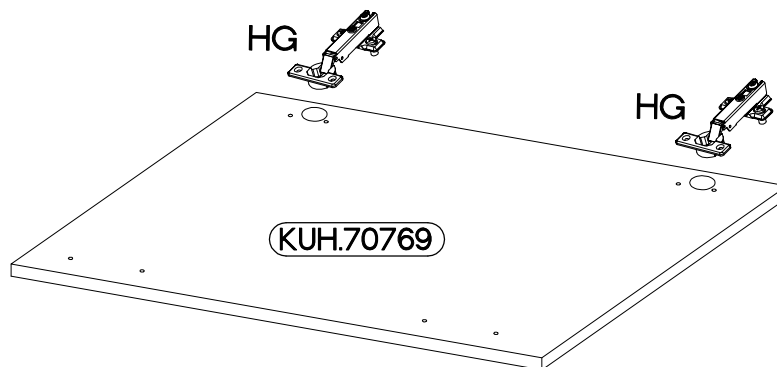
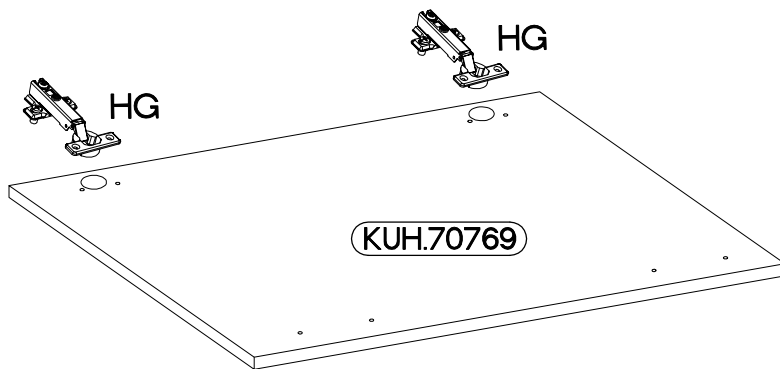
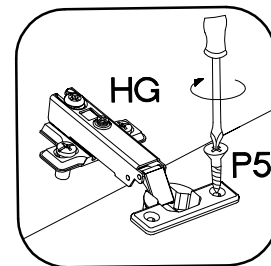
1

80 D 2F BB



2

+35/0mm HG 4	+3.5x13mm P5 8
--------------------	----------------------



3

M4x22mm



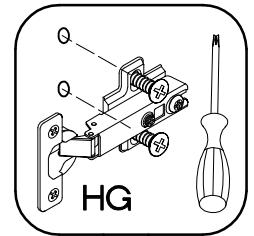
U

4

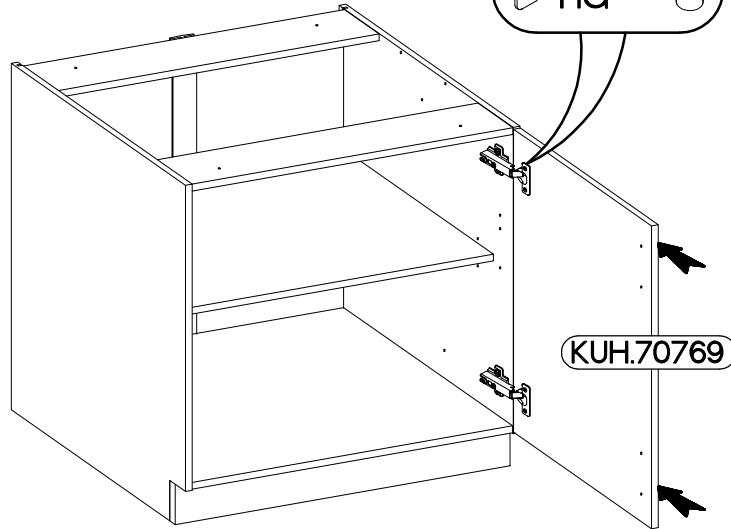


S

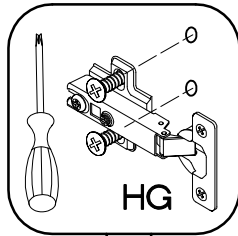
2



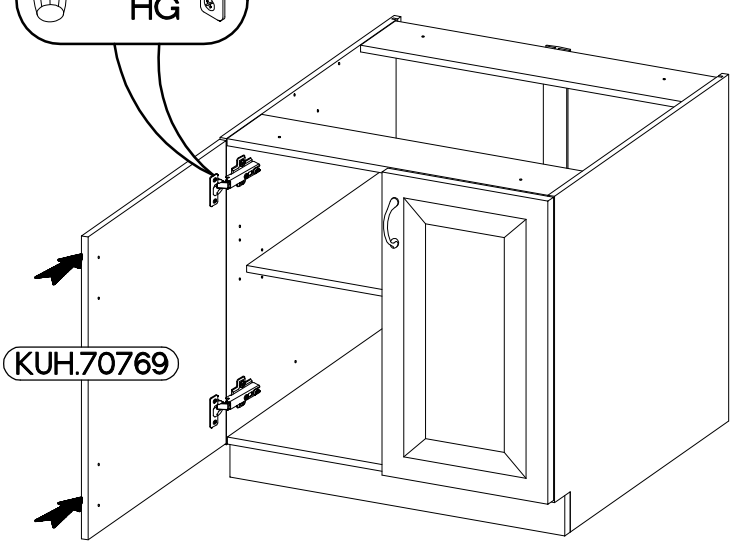
HG



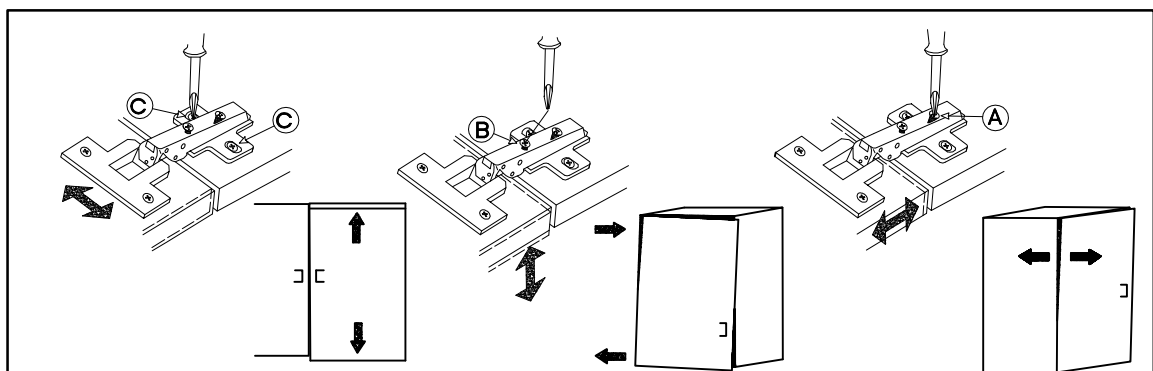
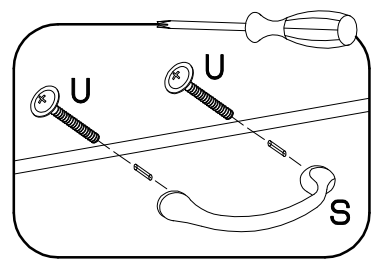
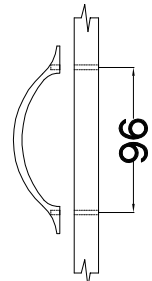
KUH.70769



HG

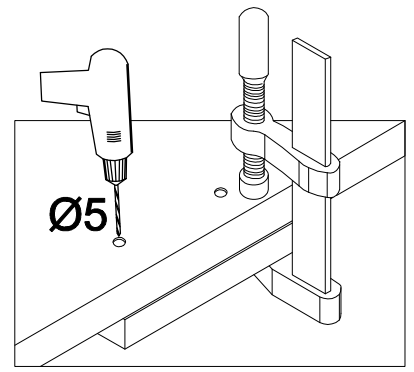
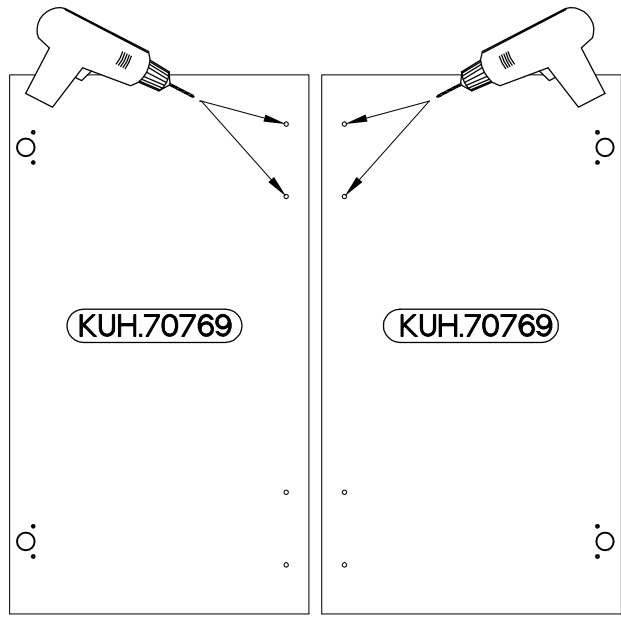
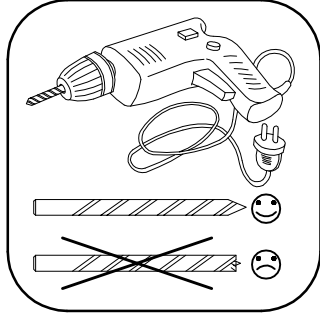


KUH.70769





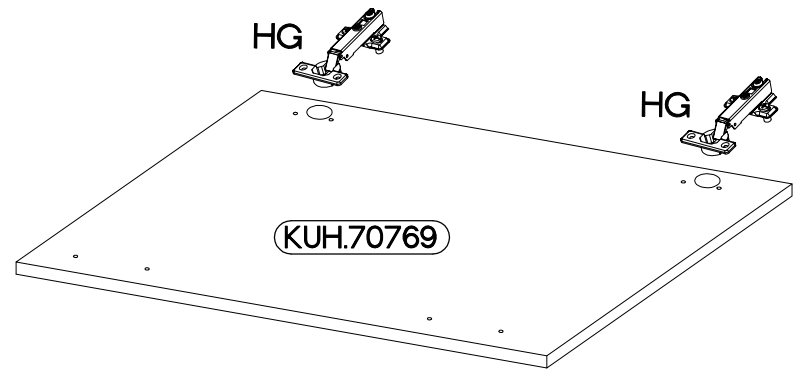
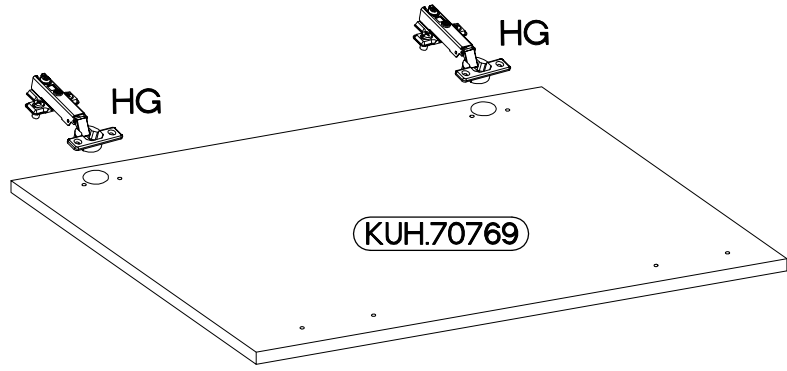
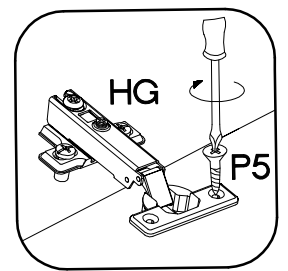
4

80 ZL 2F BB



5

 HG 4	 P5 8
---	---



M4x22mm



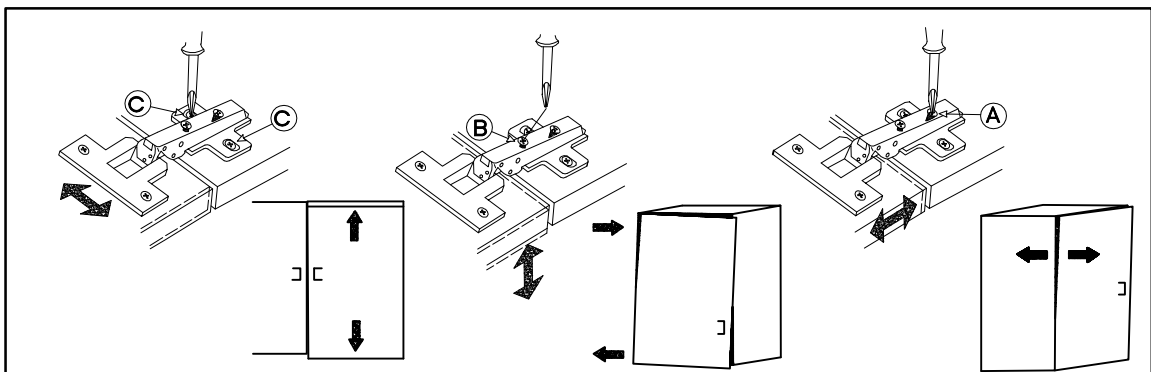
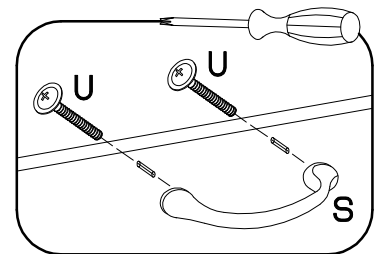
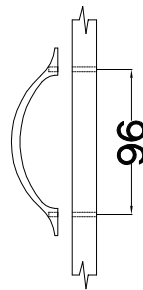
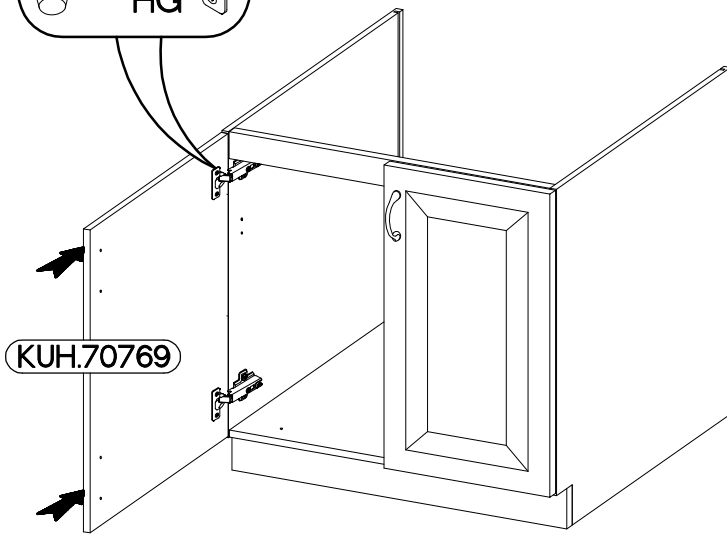
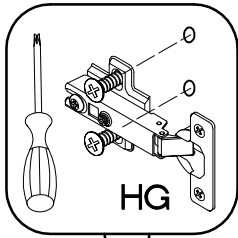
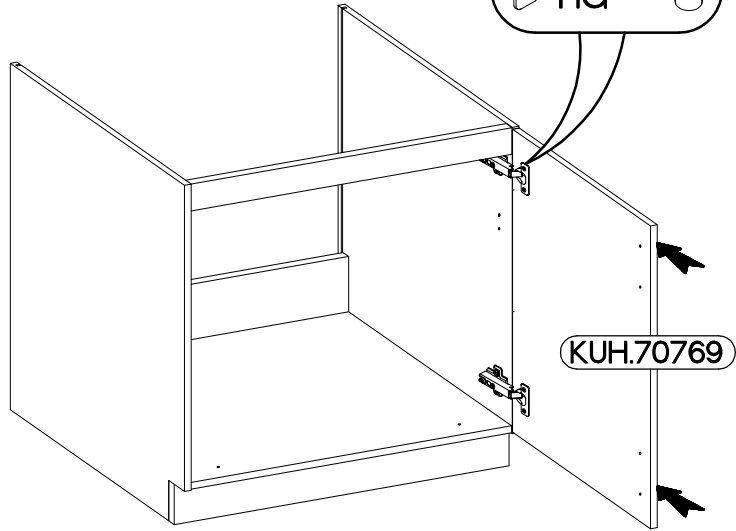
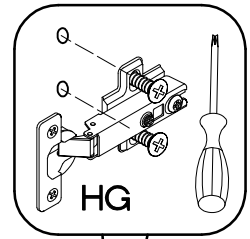
U

4



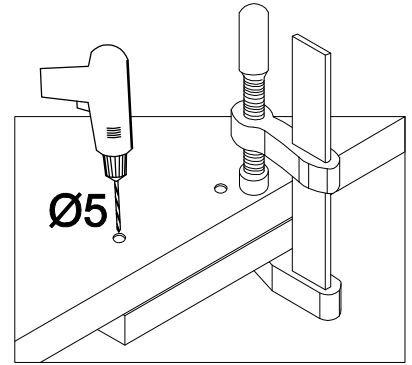
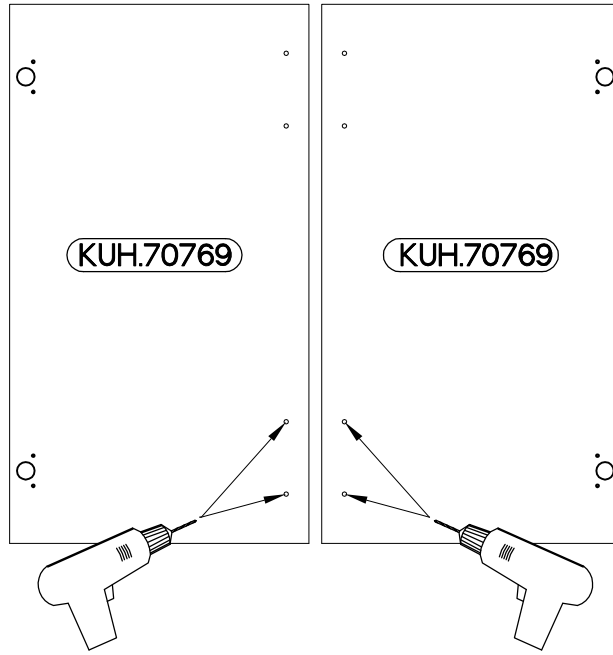
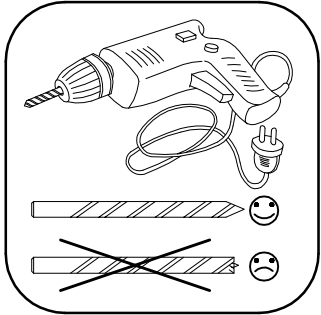
S

2





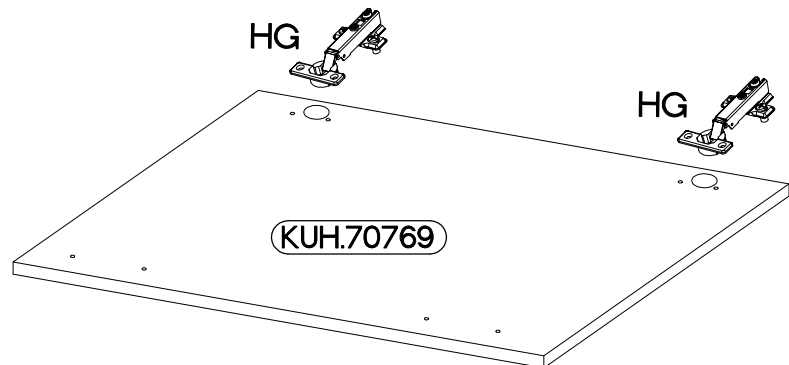
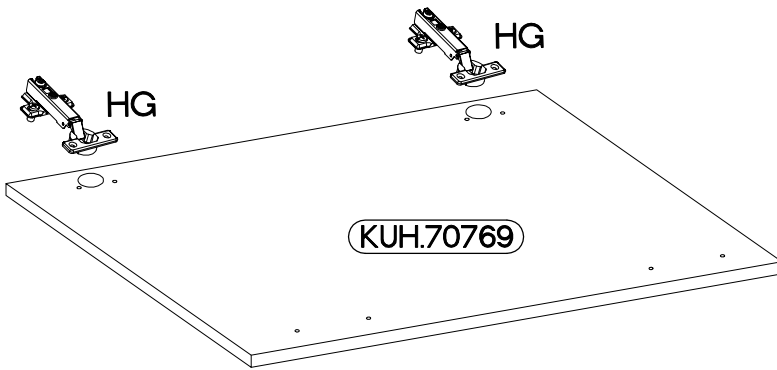
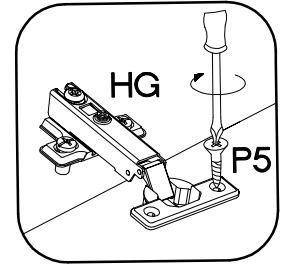
7

80 G-72 2F



8

+35/0mm	+3.5x13mm
	
HG	P5
4	8



M4x22mm



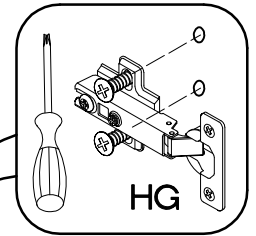
U

4

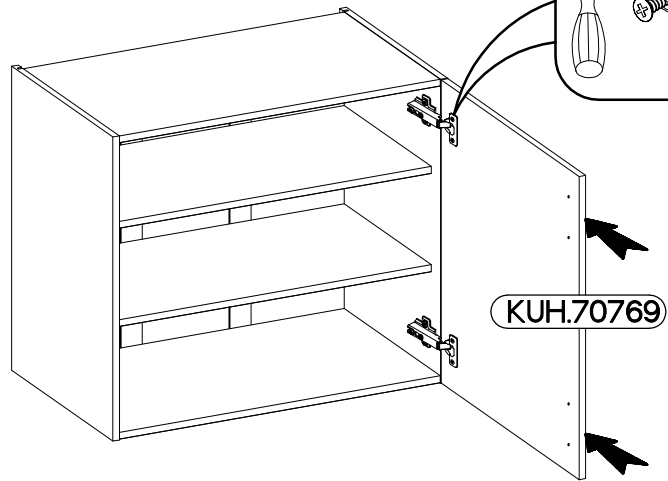


S

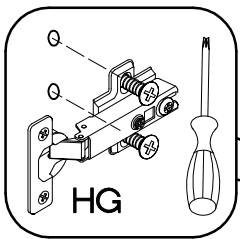
2



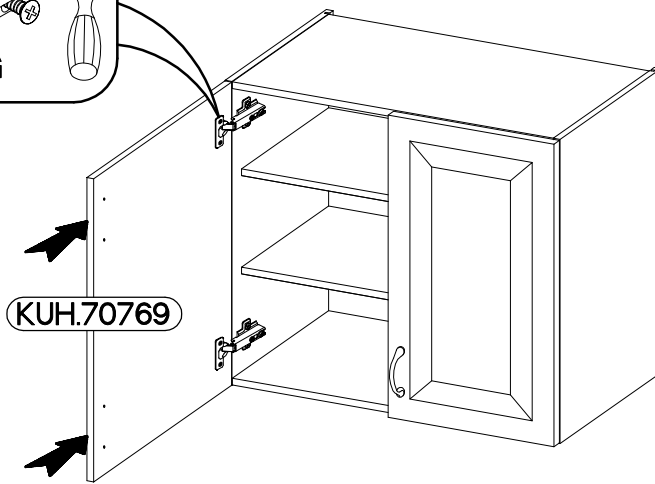
HG



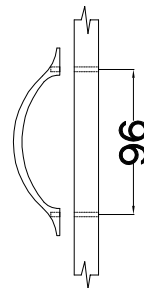
KUH.70769



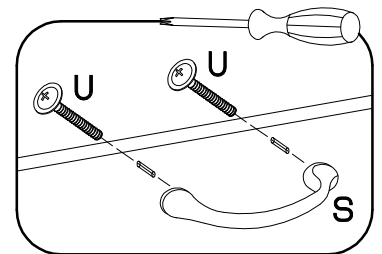
HG



KUH.70769

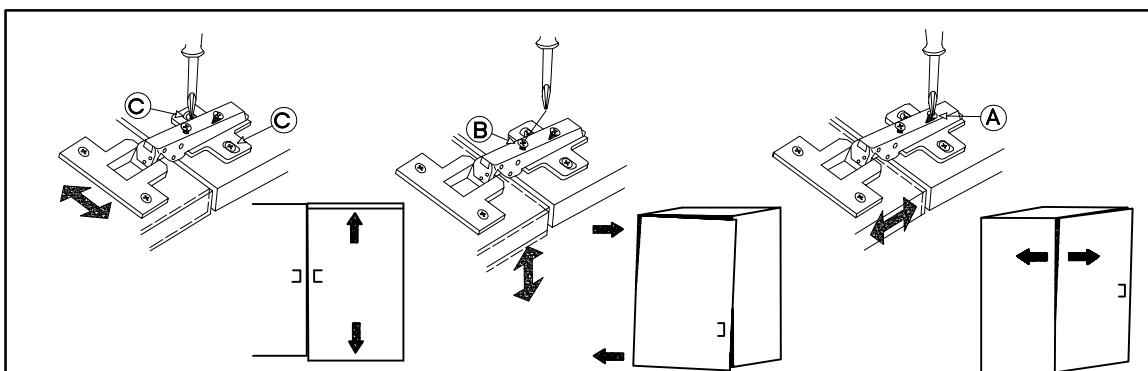


96



U

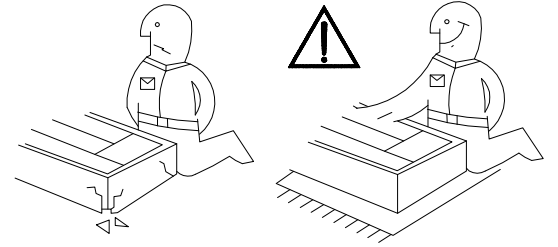
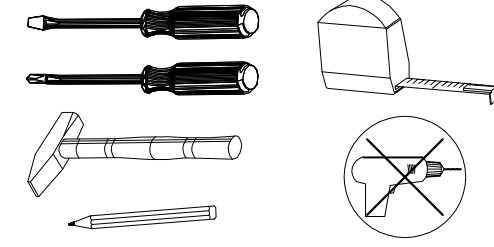
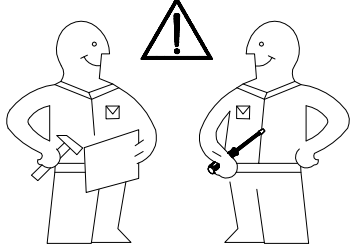
S



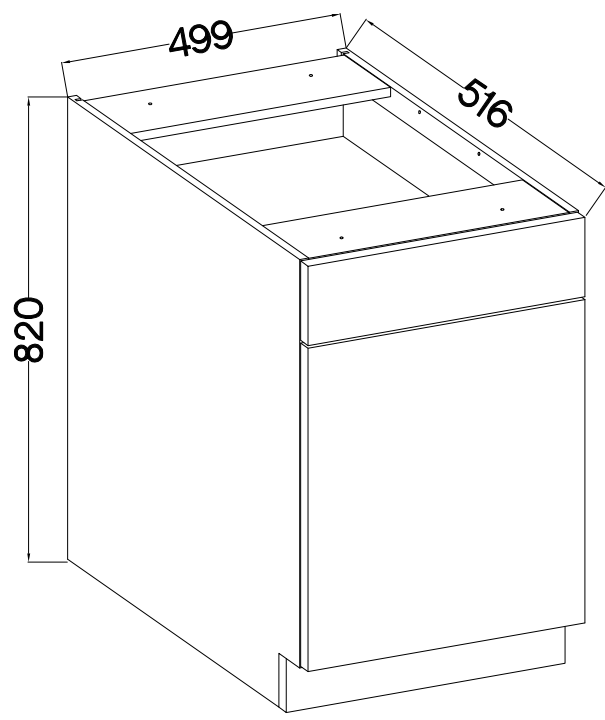
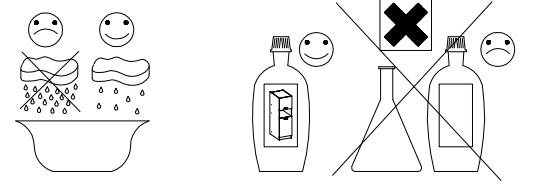
C

B

A

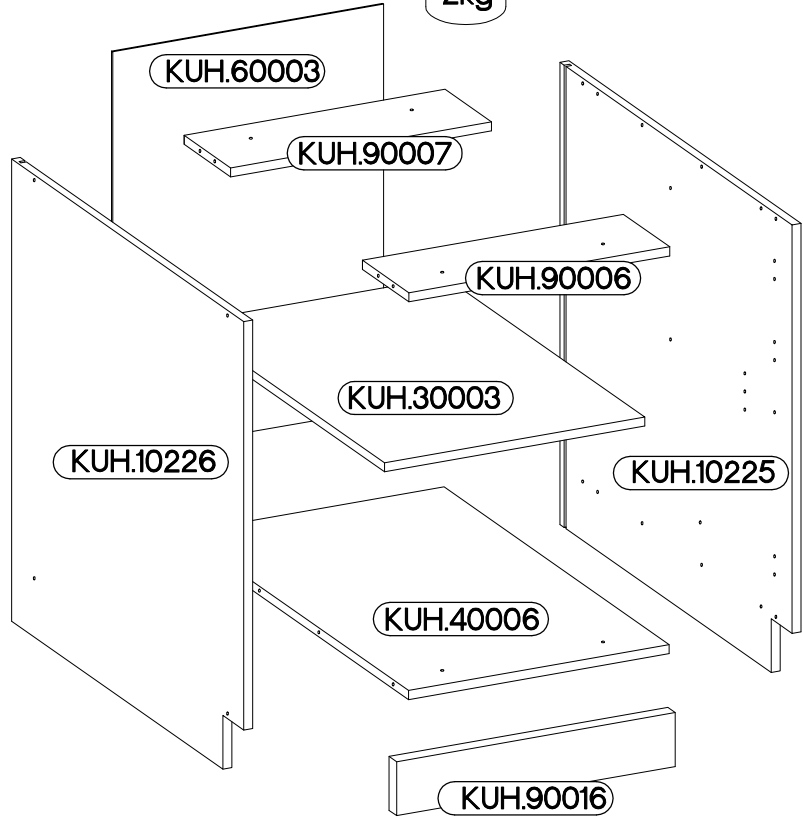
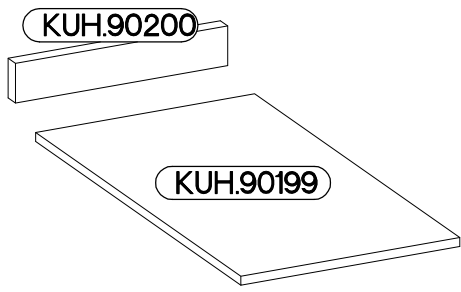


50 D 1F 1S BB

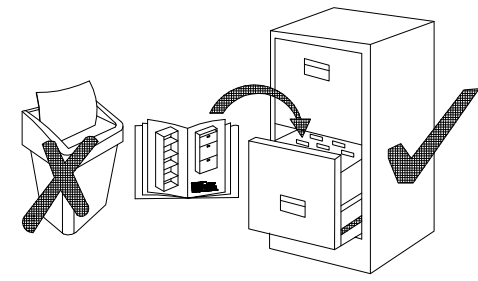


max. 10kg KUH.30003  
KUH.40006

max. 2kg KUH.90199

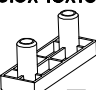
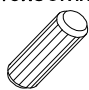


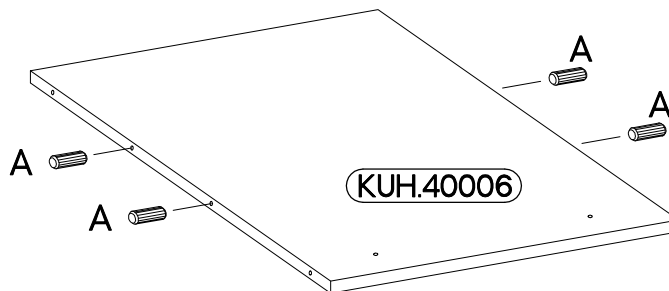
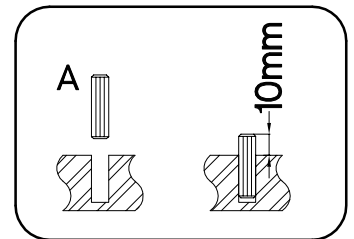
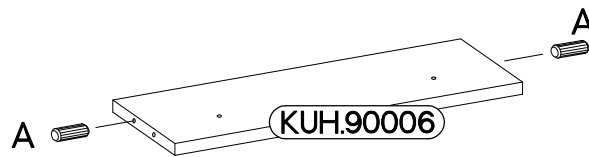
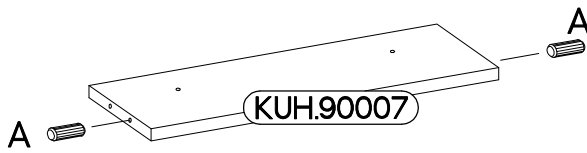
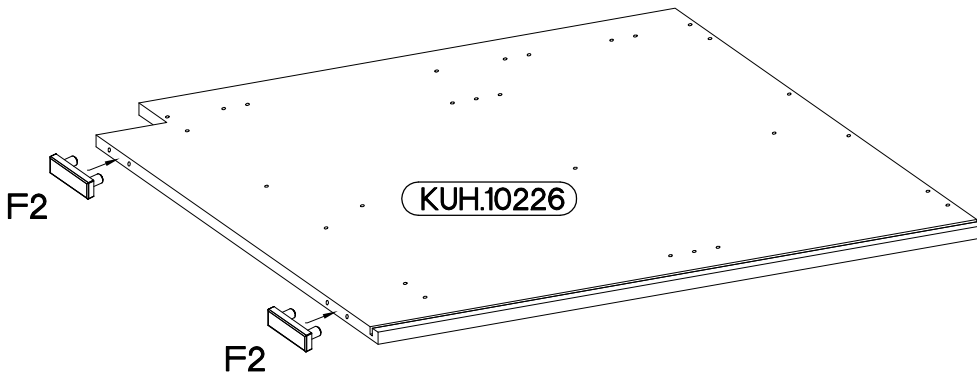
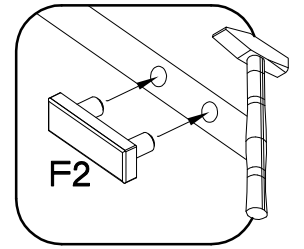
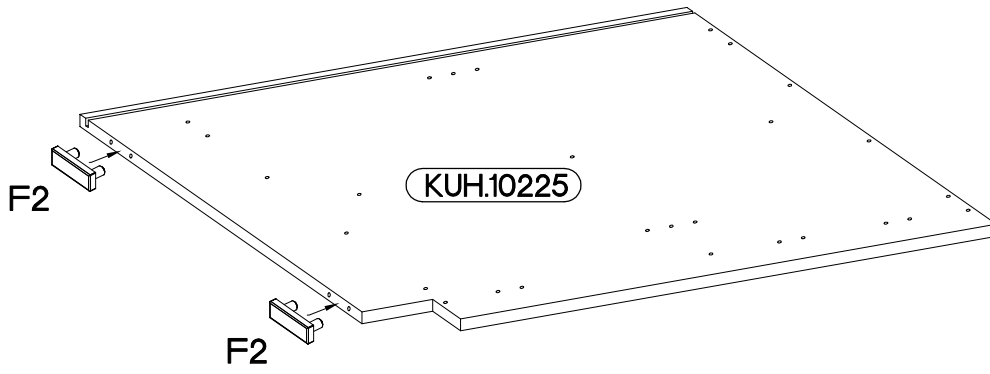
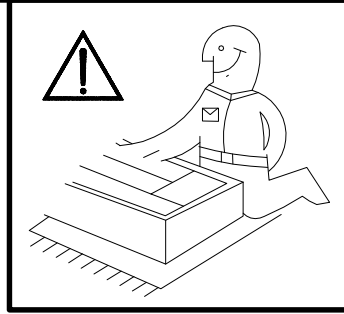
+8x30mm  A	6,4 x 50mm  B	 E1	 E9	6.5x48x16  F2	+35/0mm  HG	
8	8	8	2	4	2	
+5/19mm  J	+6.3x13mm  M3	 O	+4.0x16mm  P1	+4.0x45mm  P4	+3.5x13mm  P5	+3.0x20mm  P7
4	4	1	8	2	12	8-10
+4.0x35mm  R3	 11A	 11C	 11D	 11E	 11G	
4	1	1	1	2	2	



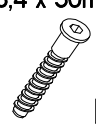
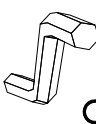

ISM-KUH-01124

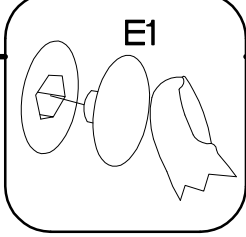
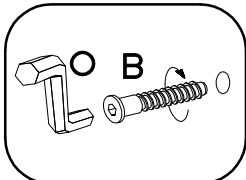
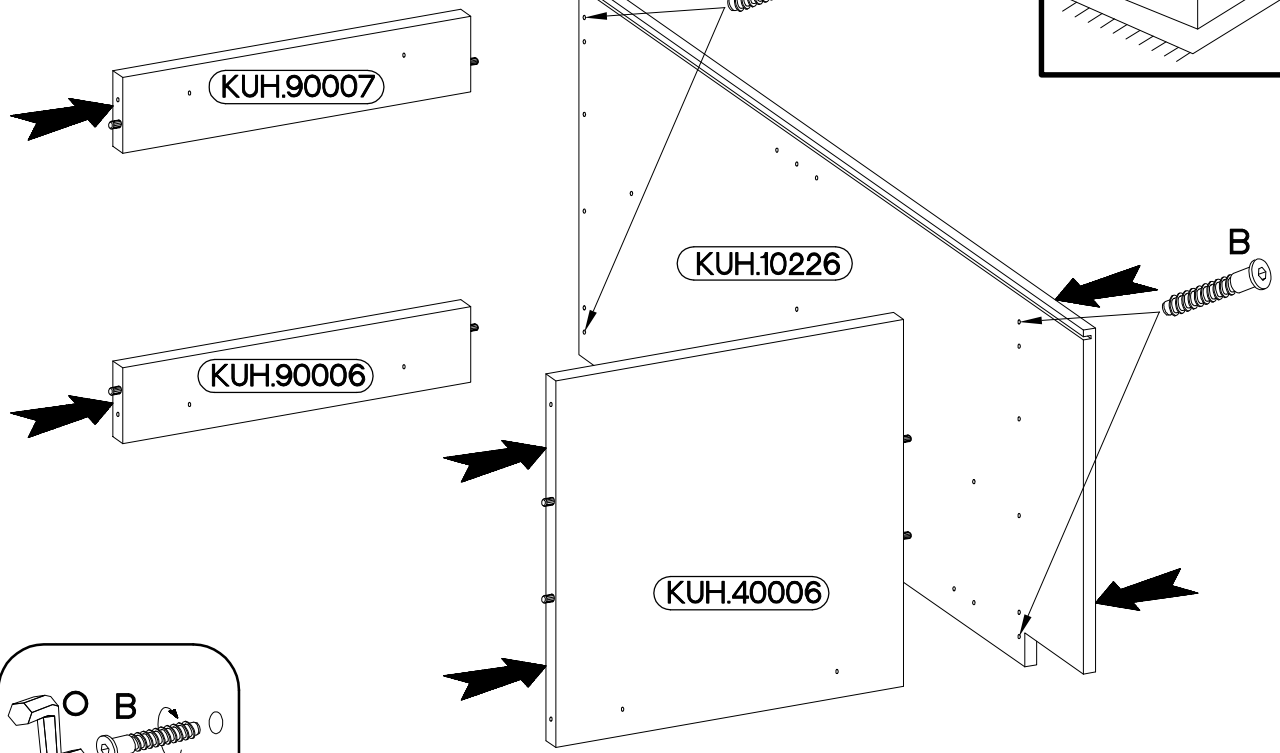
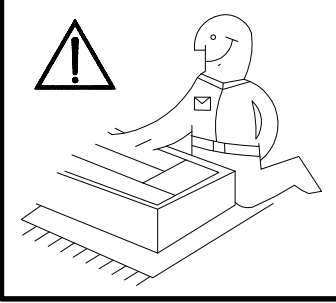
1

6.5x48x16  F2 4	+8x30mm  A 8
--	---

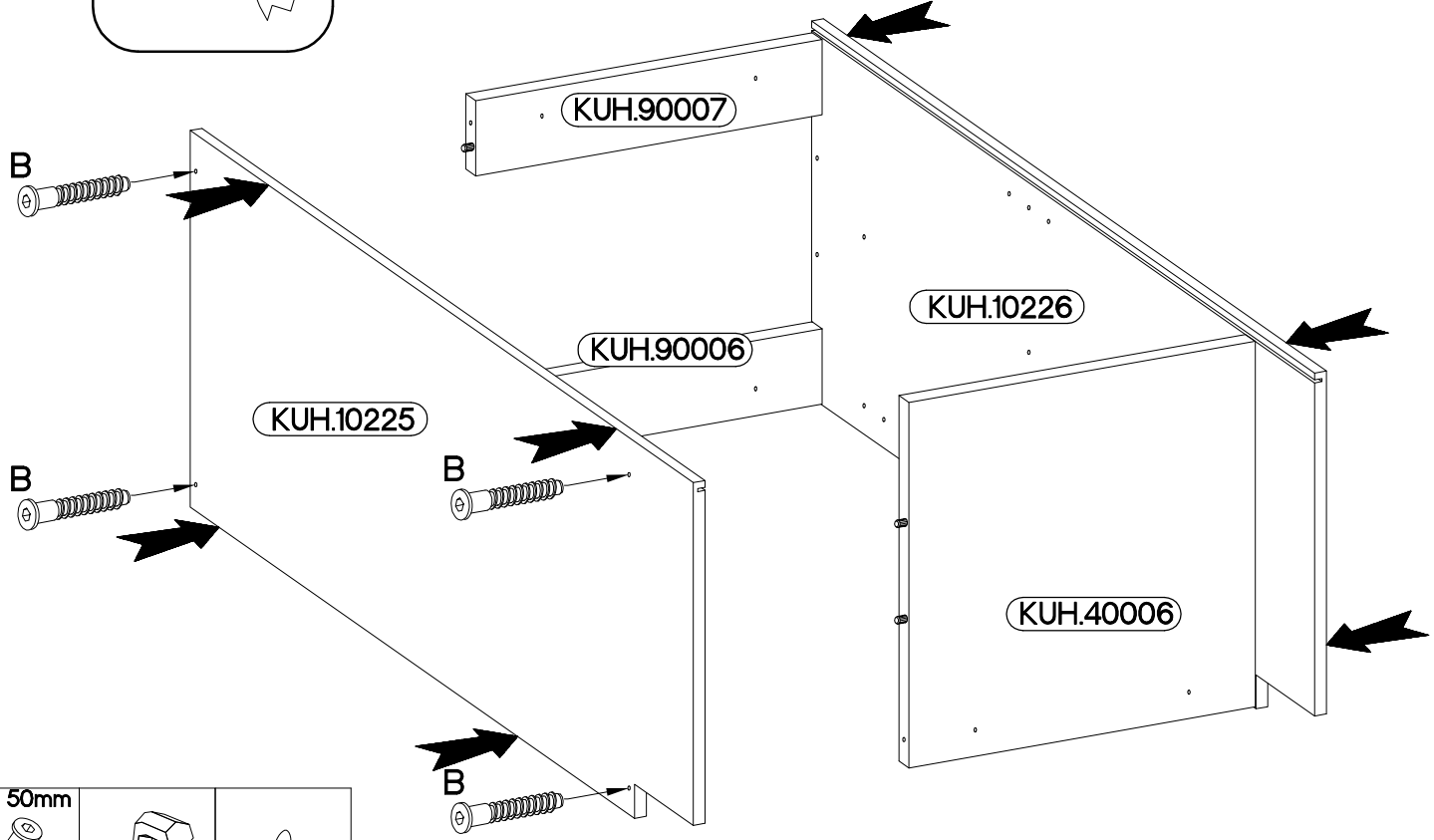



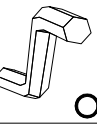

2

6,4 x 50mm		
		
<b>B</b>	<b>O</b>	<b>E1</b>
4	1	4

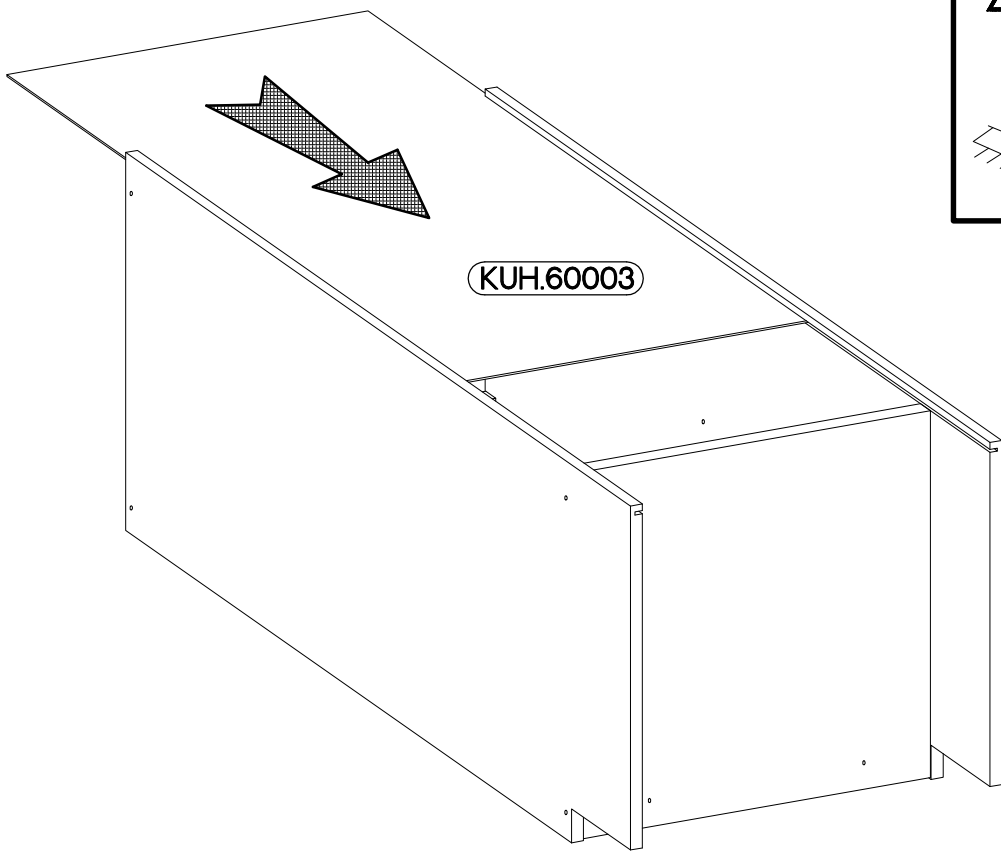
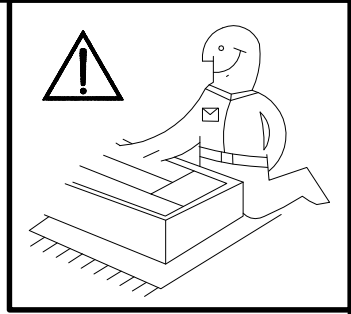


3

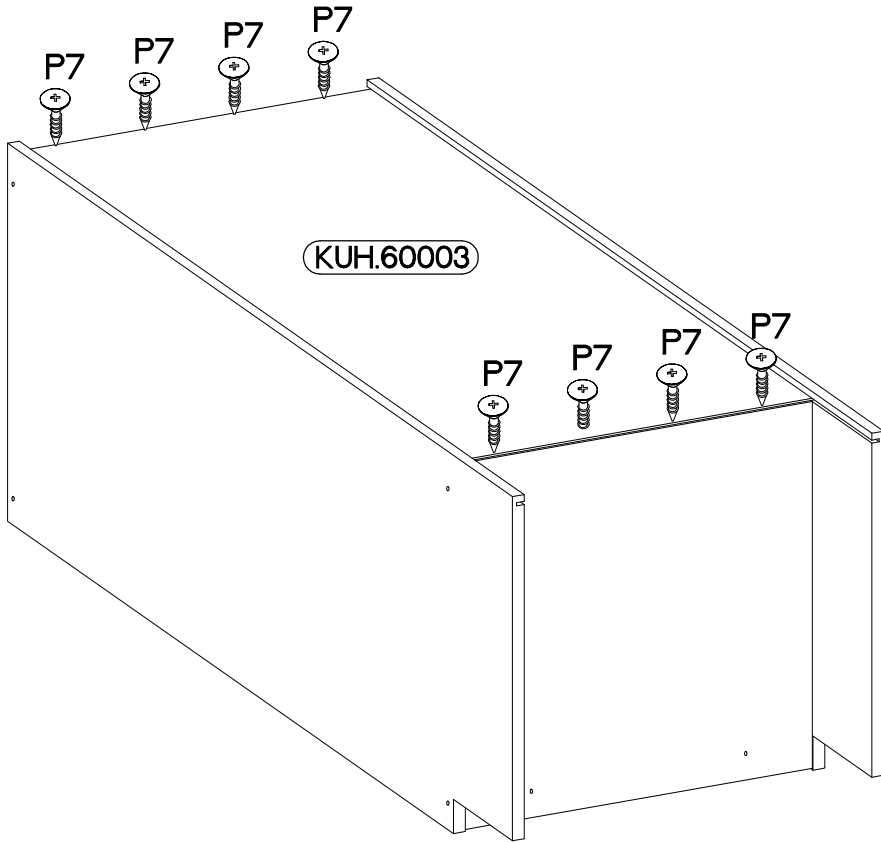
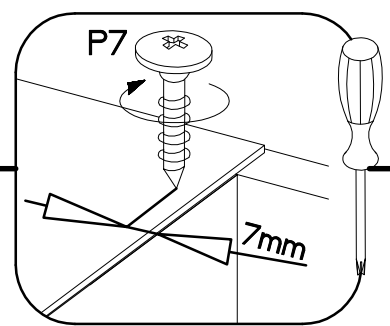
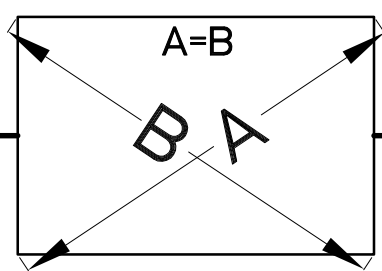
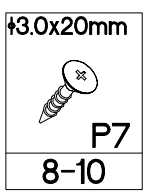


6,4 x 50mm		
		
<b>B</b>	<b>O</b>	<b>E1</b>
4	1	4

4



5



6

4.0x45mm



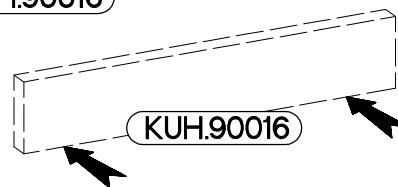
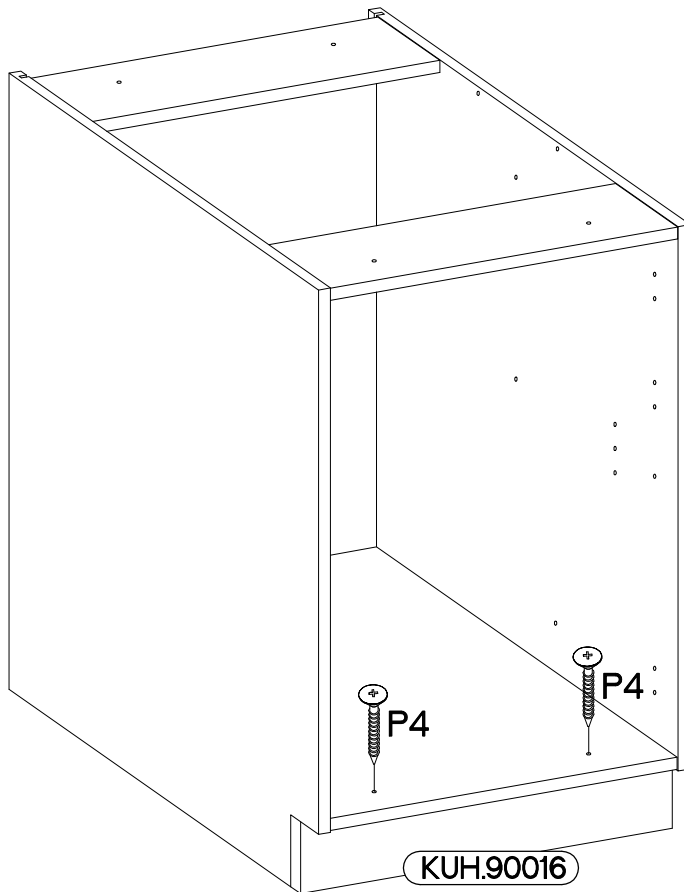
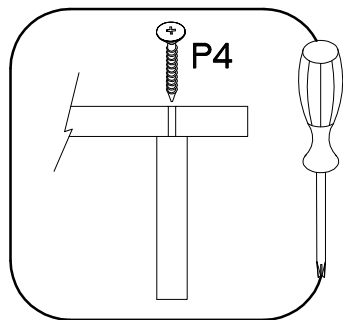
P4

2



E9

2



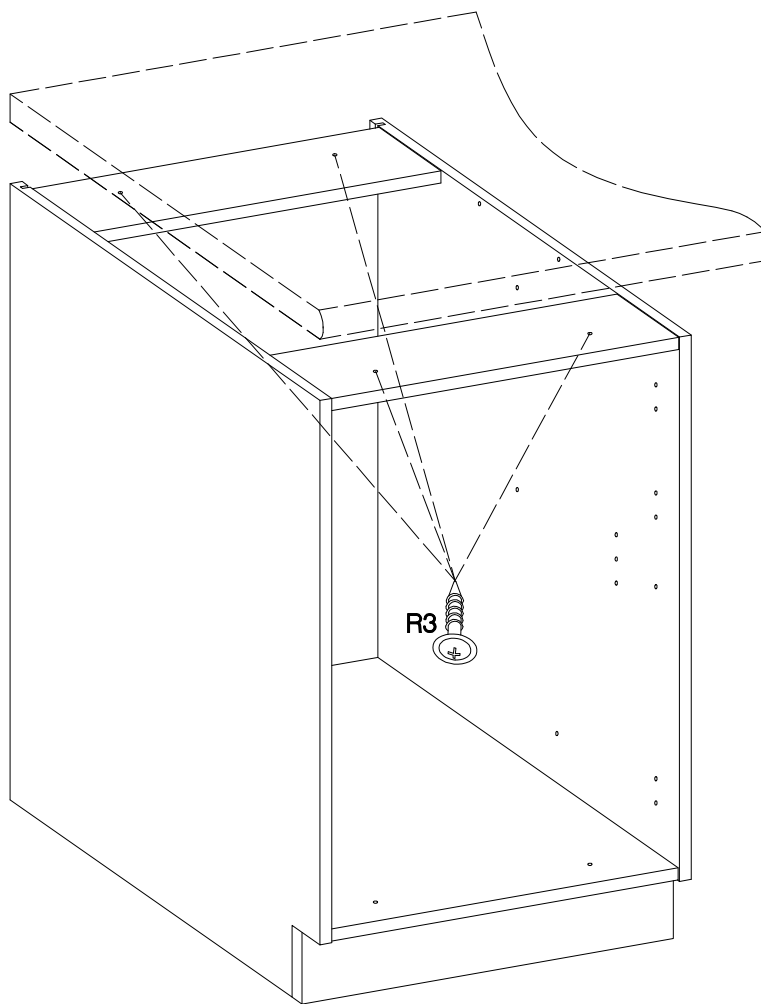
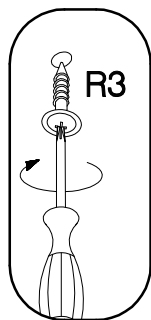
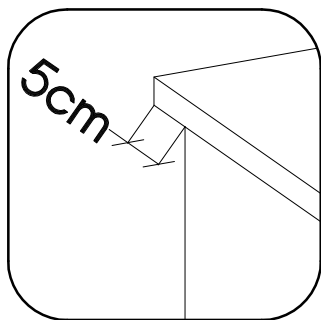
7

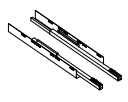


4.0x35mm

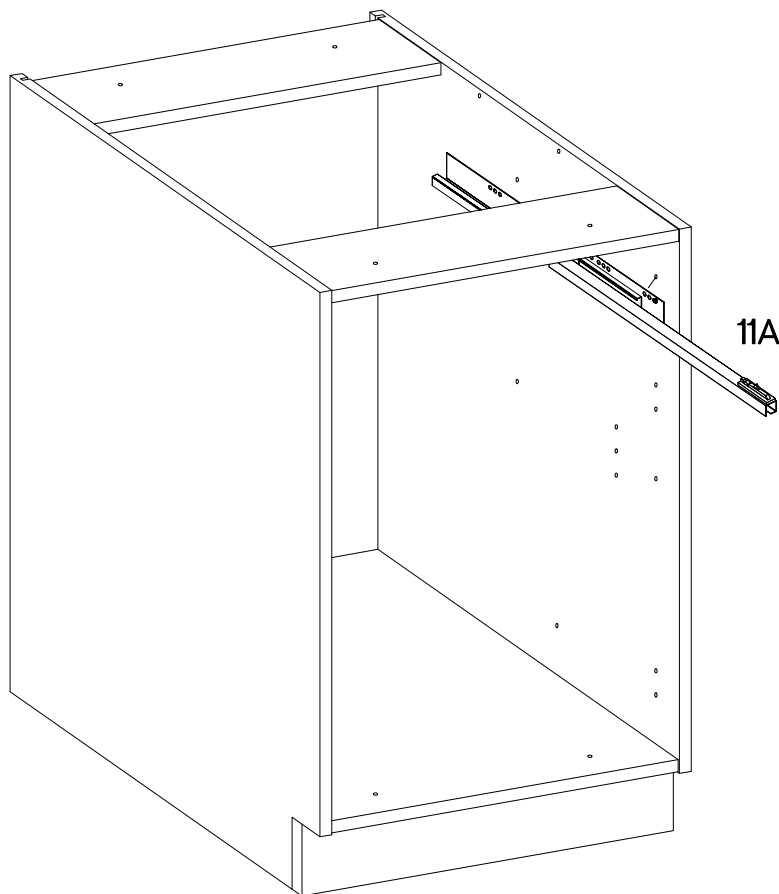
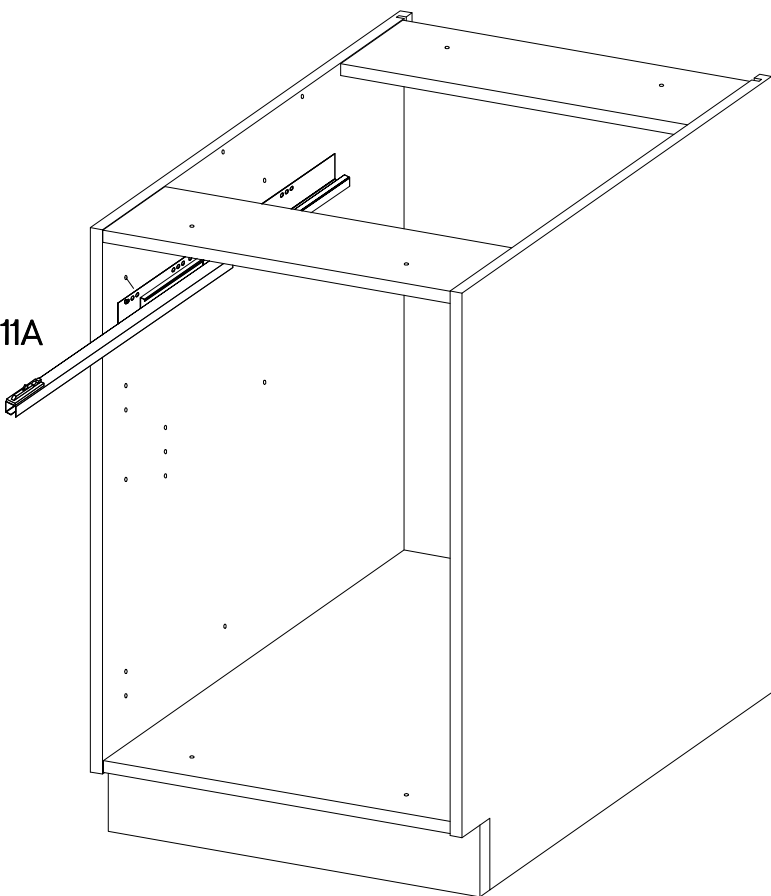
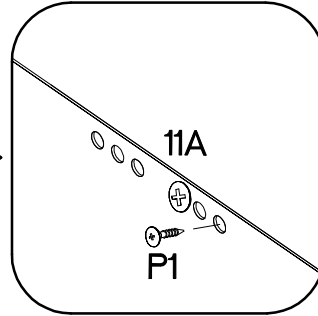
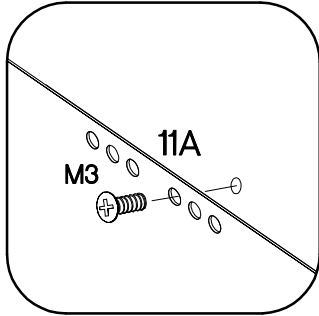
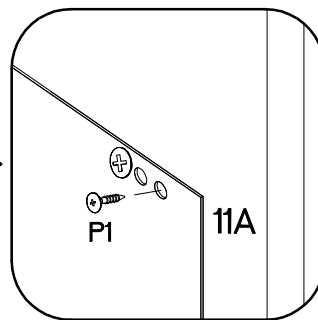
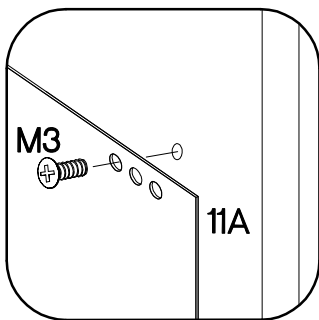
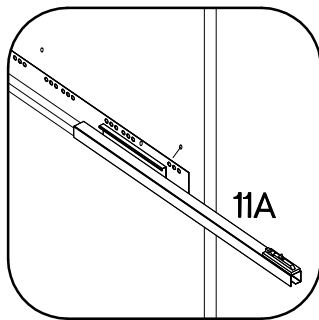


R3

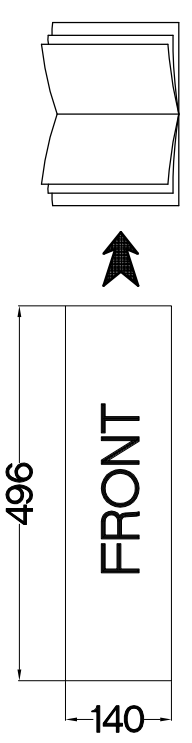
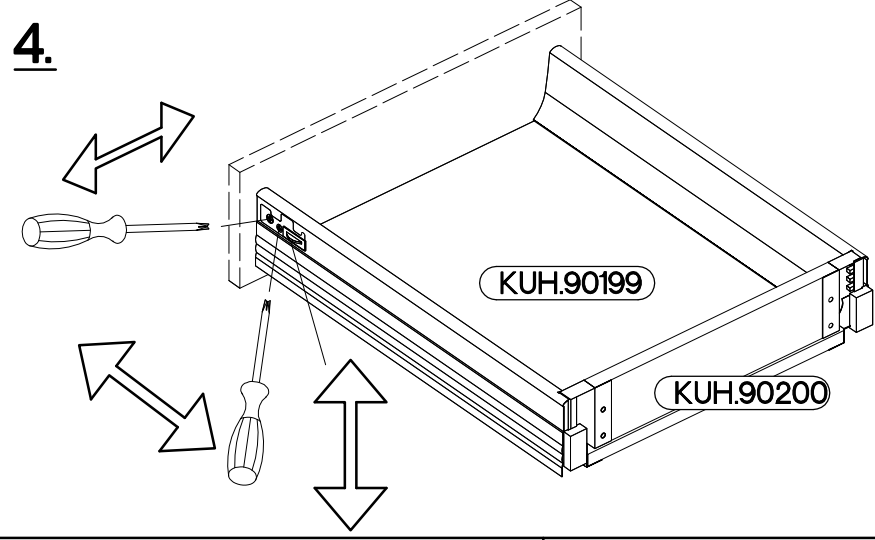
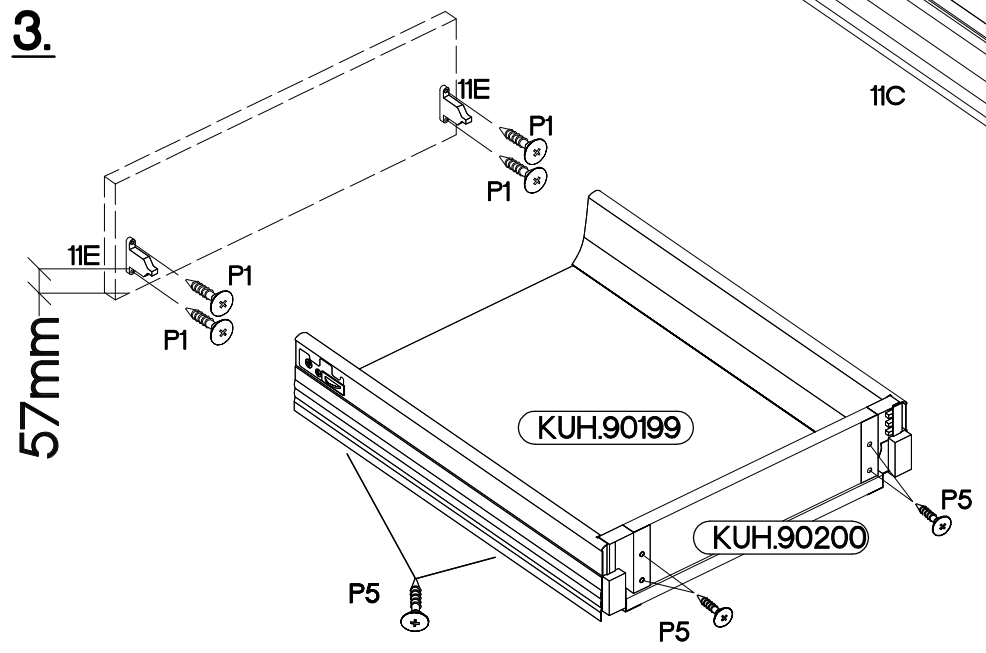
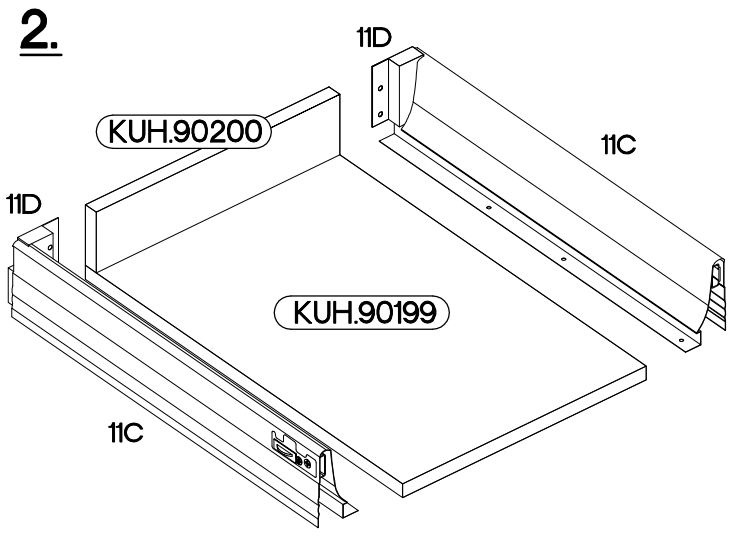
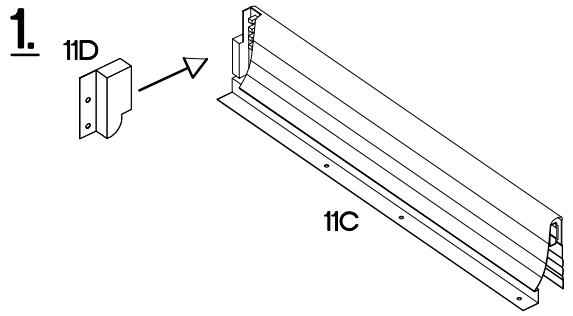
4



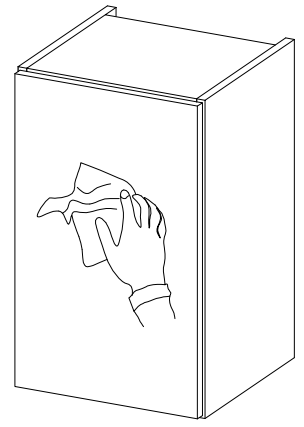
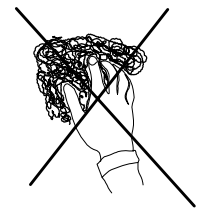
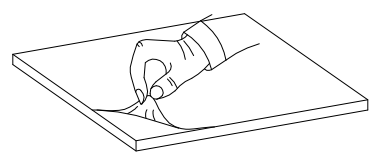
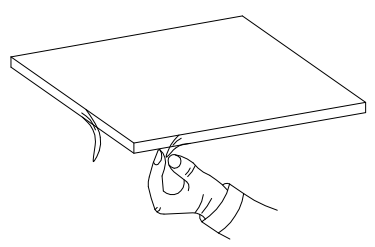
 11A	 +6.3x13mm M3	 +4.0x16mm P1
1	4	4



			$\varnothing 4.0 \times 16 \text{mm}$ 	$\varnothing 3.5 \times 13 \text{mm}$ 	
11D	11C	11E	P1	P5	11G
1	1	2	4	8	2

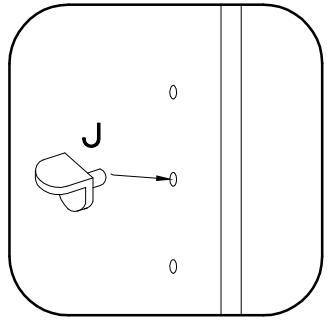
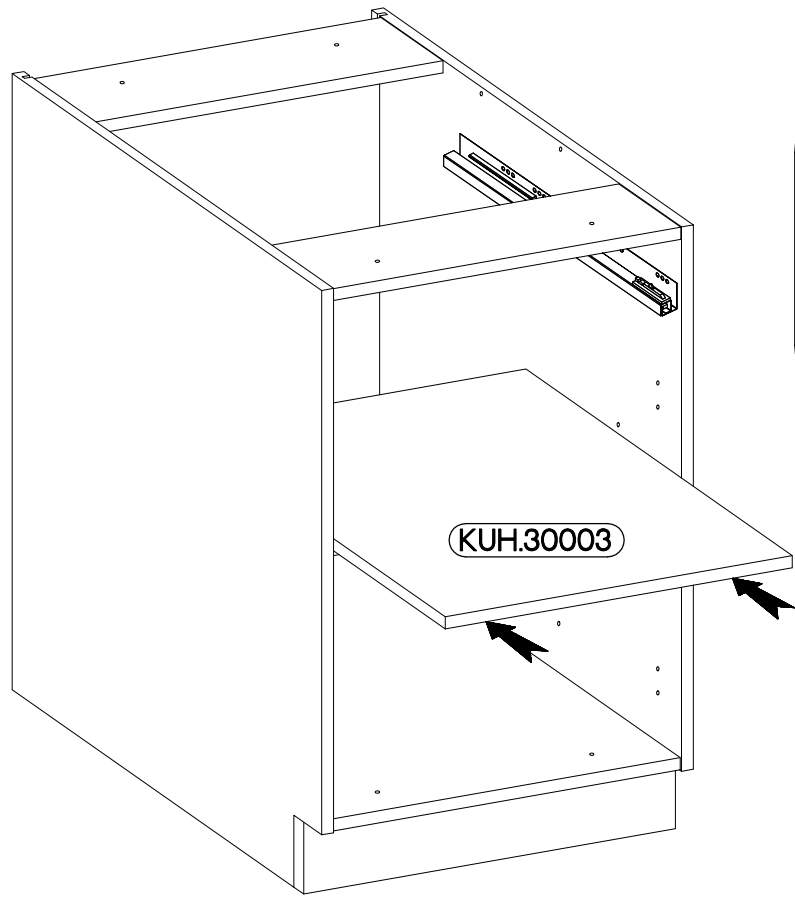


VARIANT HIGH GLOSS



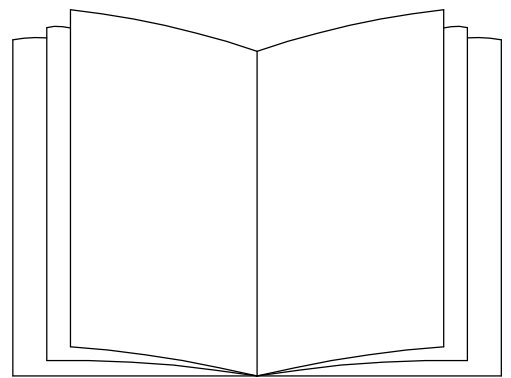
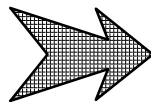
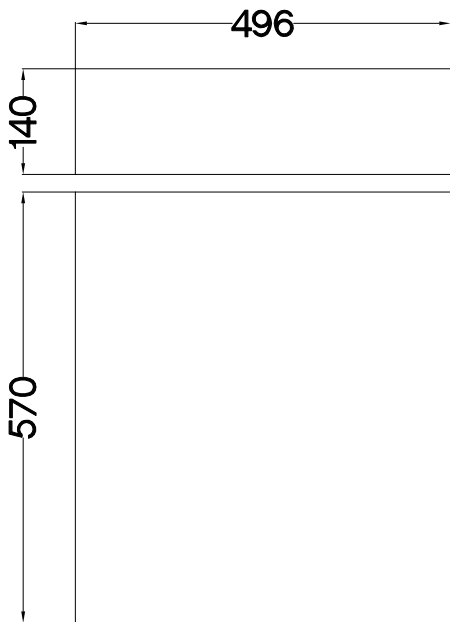
10

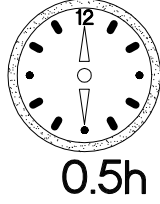
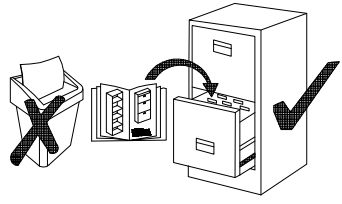
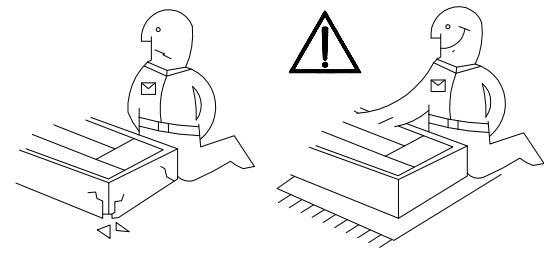
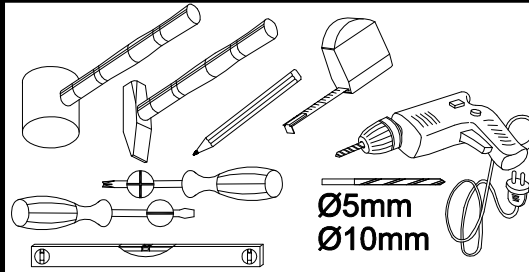
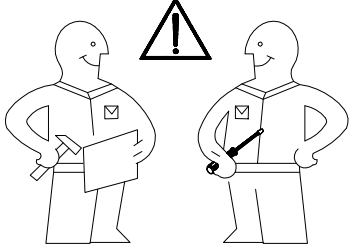
±5/19mm  
J  
4



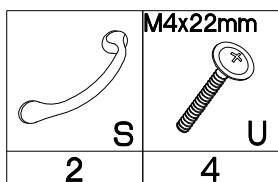
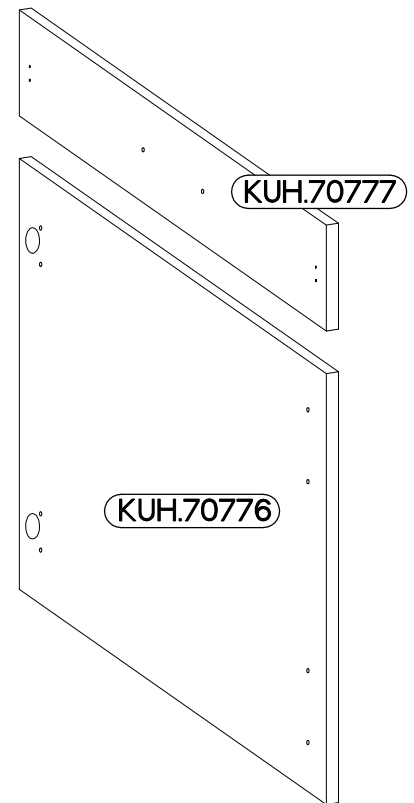
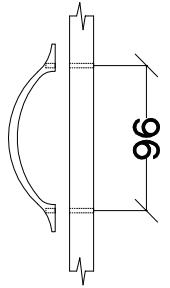
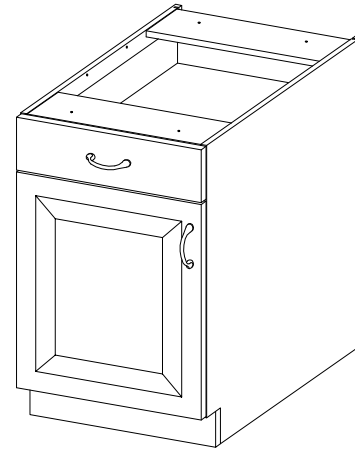
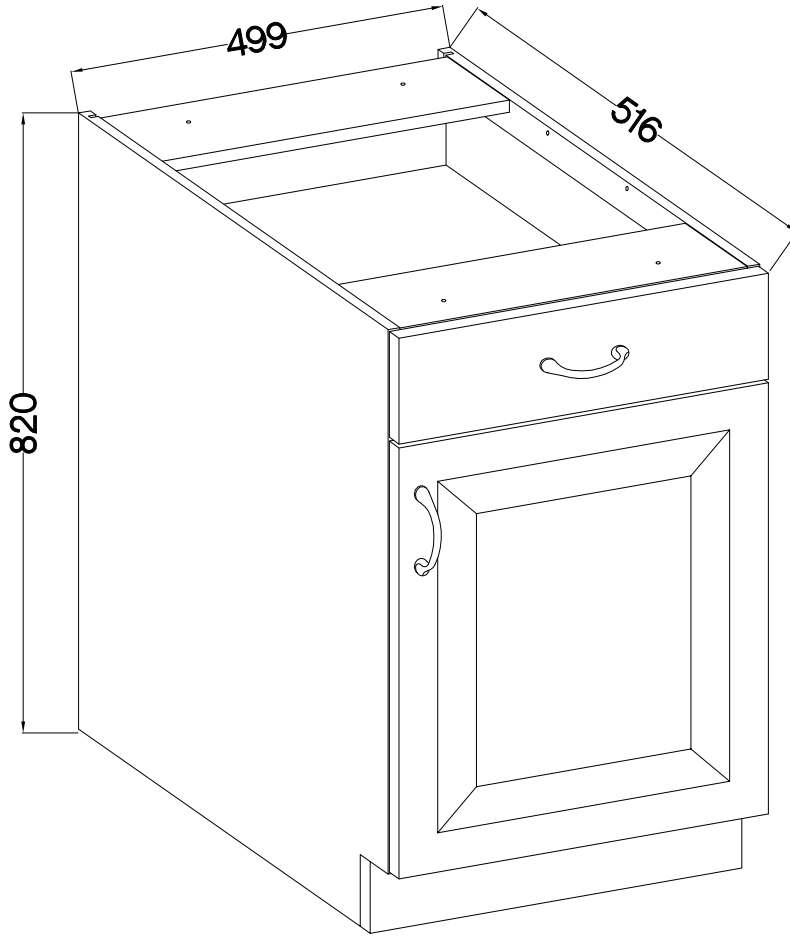
11

FRONT



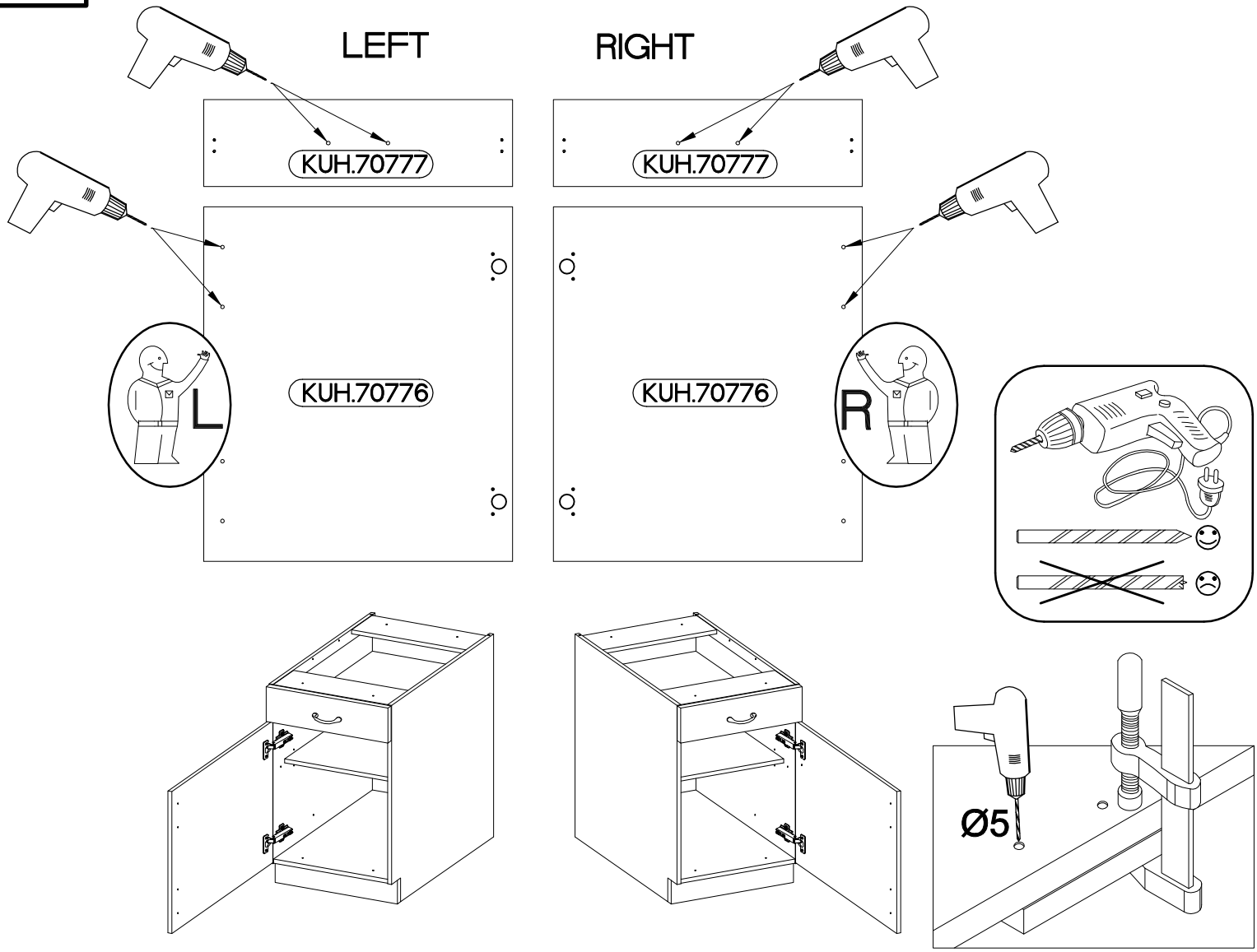


50 D 1F 1S BB  
FRONT

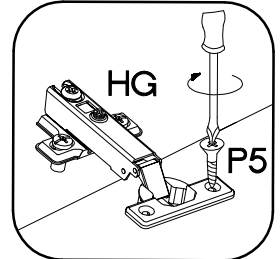
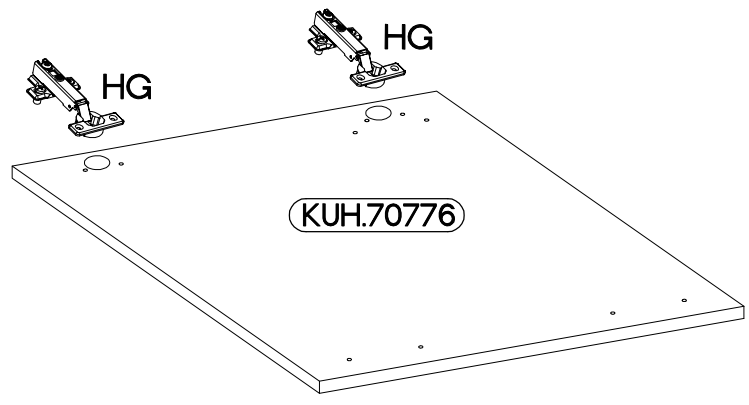


ISM-KUH-01189

1



2



3

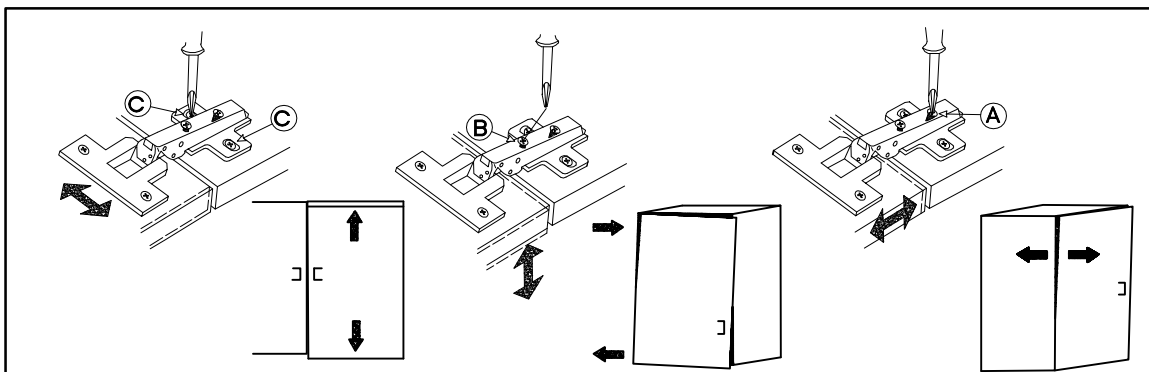
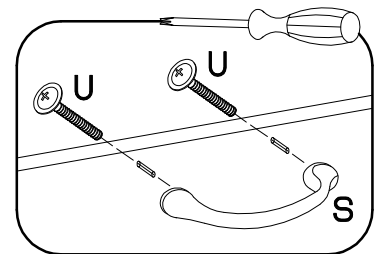
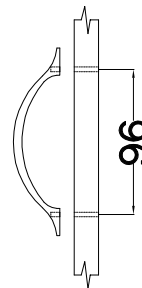
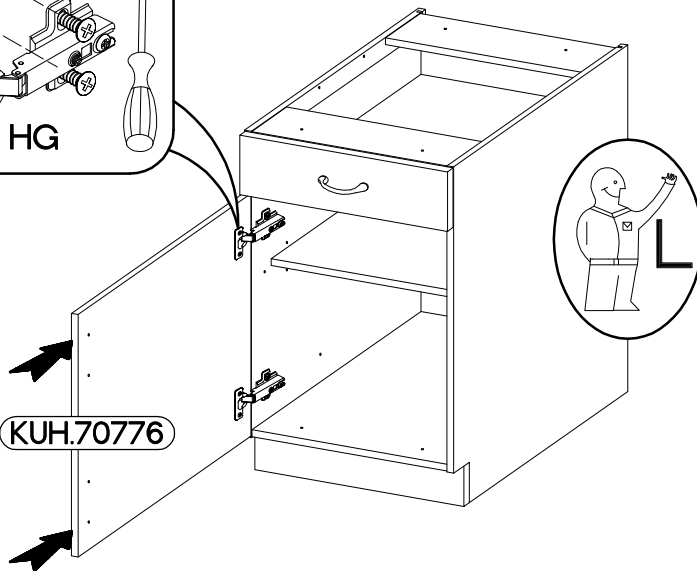
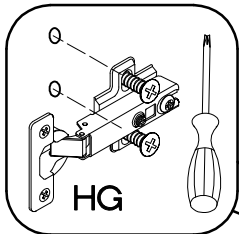
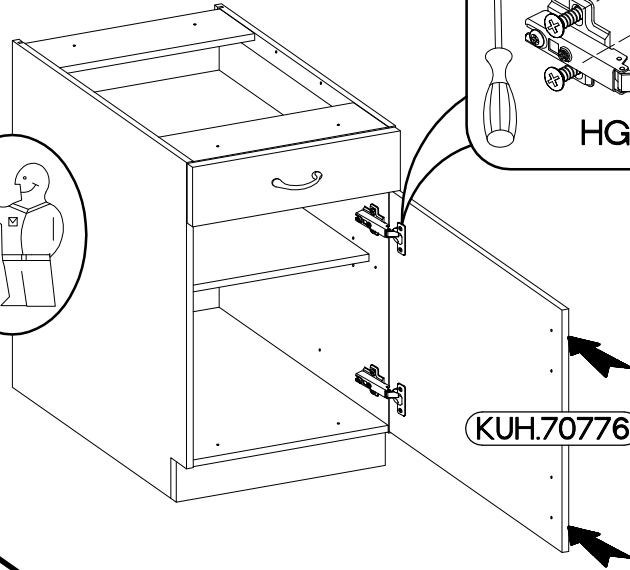
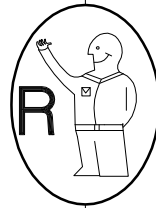
M4x22mm

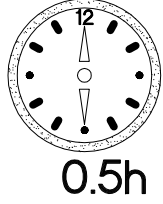
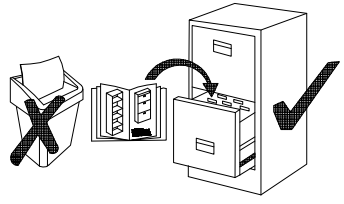
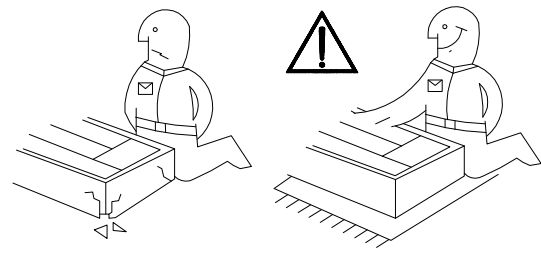
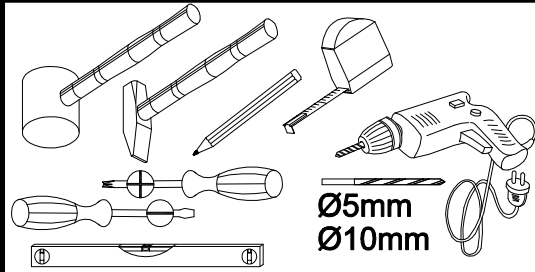
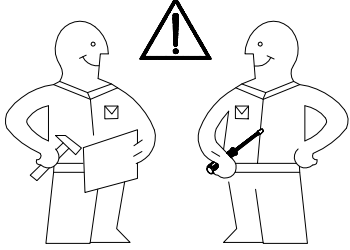


4

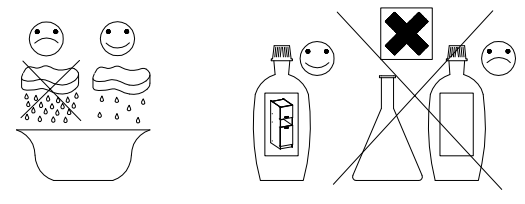


2

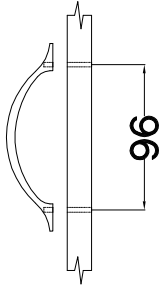
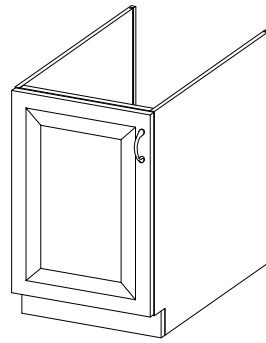
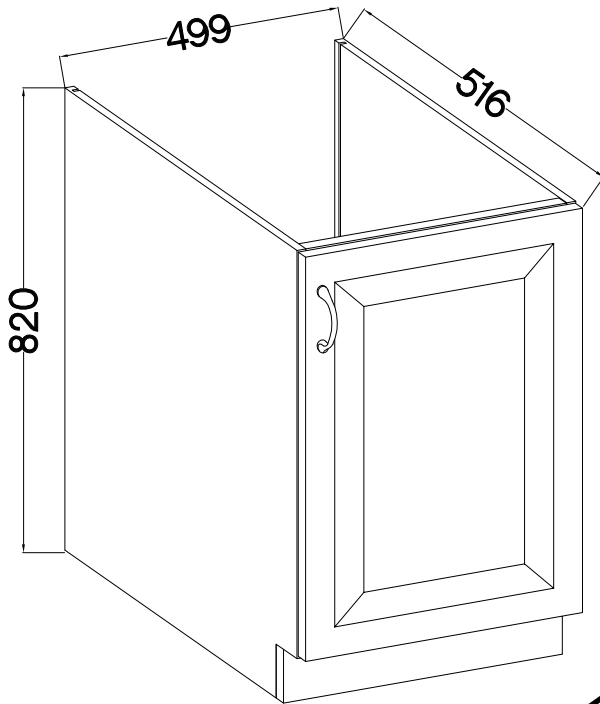




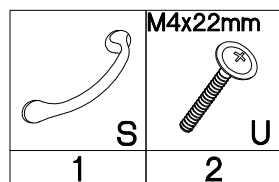
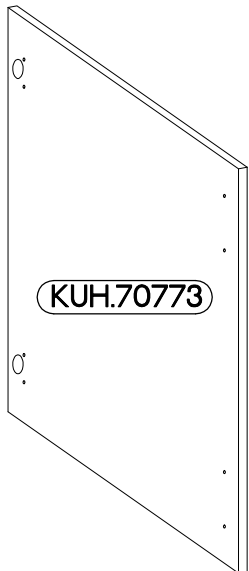
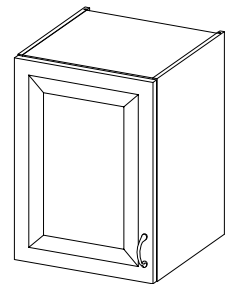
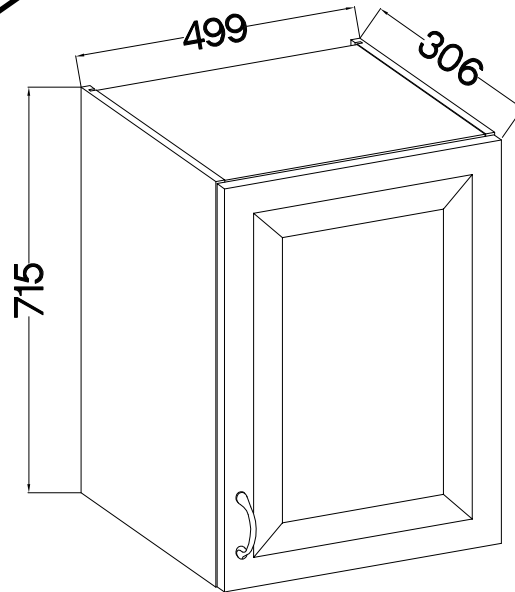
FRONT



50 ZL 1F BB



50 G-72 1F



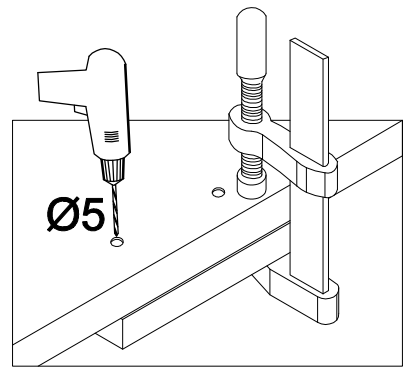
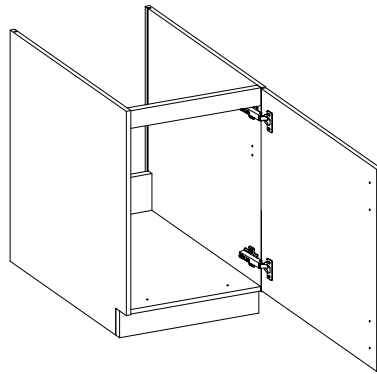
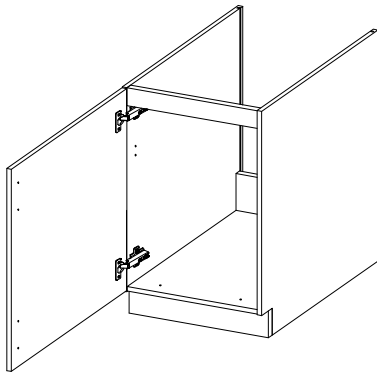
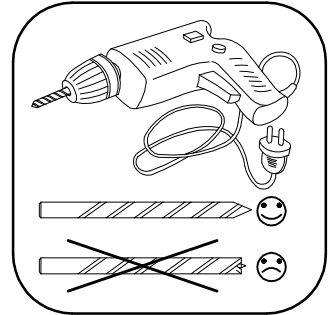
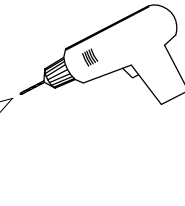
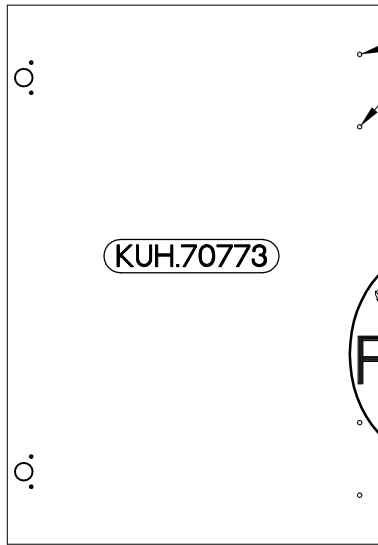
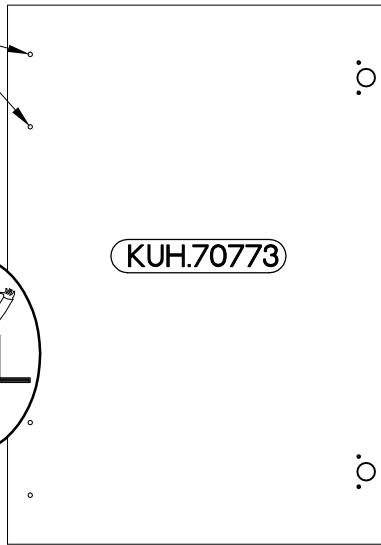
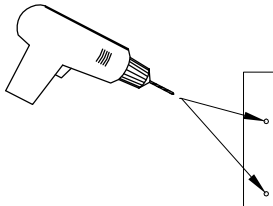
ISM-KUH-01191

1

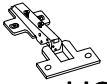

50 ZL 1F BB

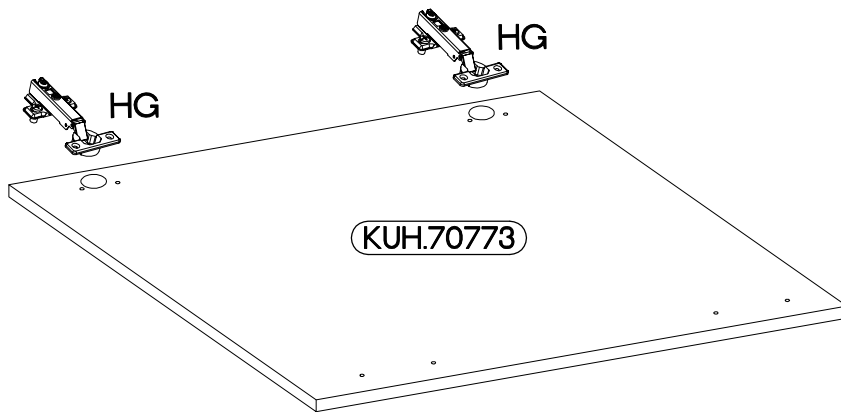
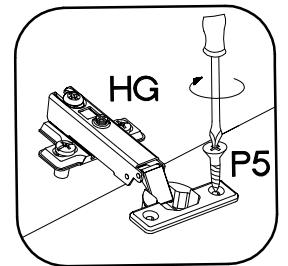
LEFT

RIGHT





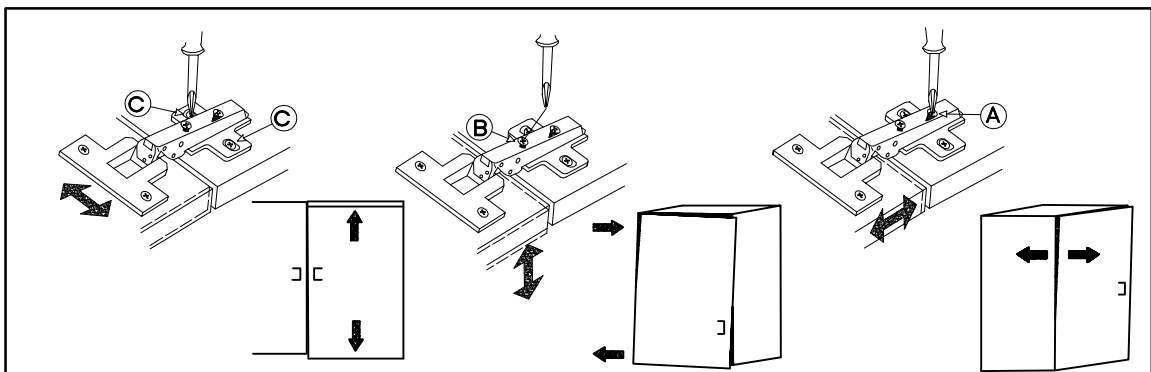
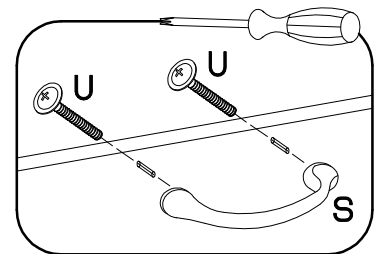
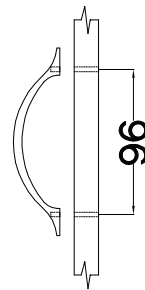
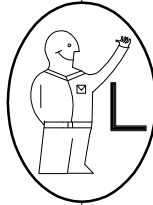
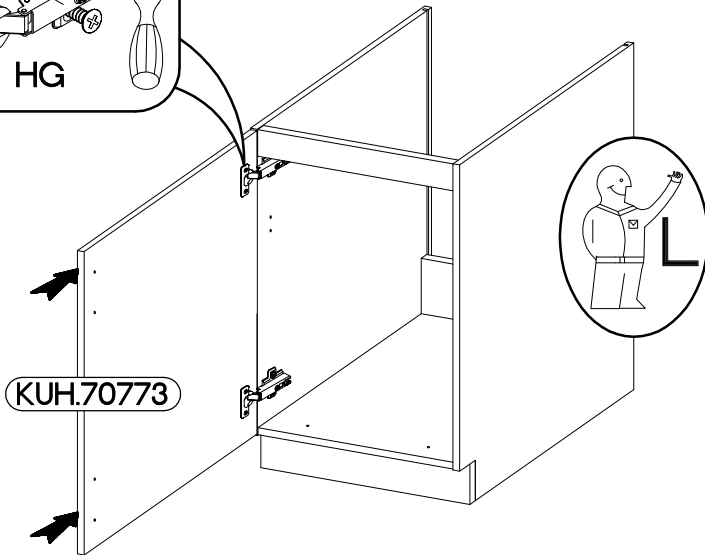
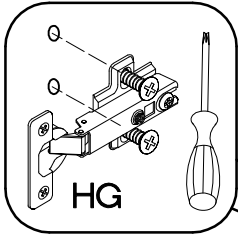
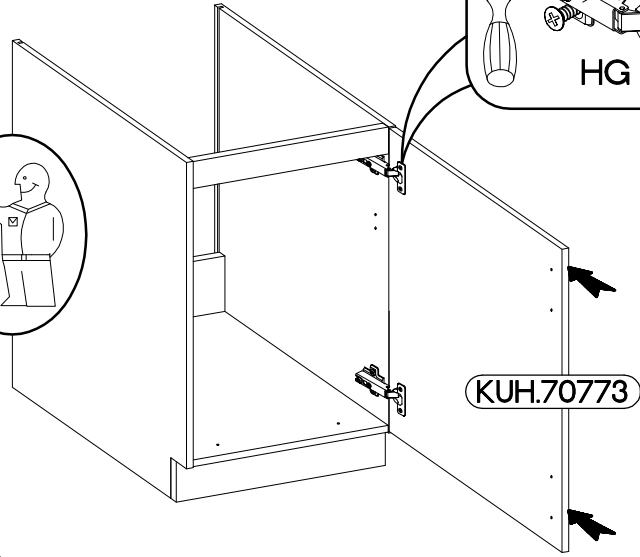
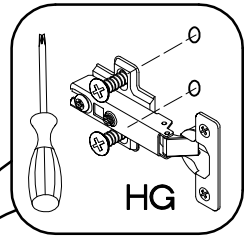
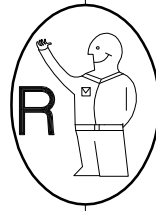
2

+35/0mm	+3.5x13mm
	
HG	P5
2	4



3

M4x22mm	
	
U	S
2	1

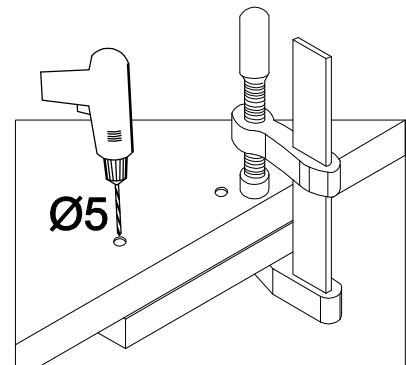
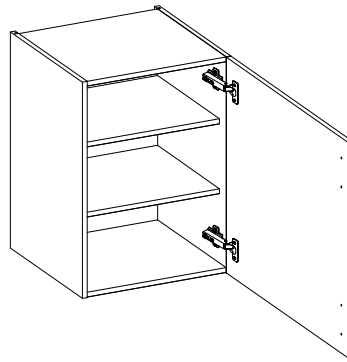
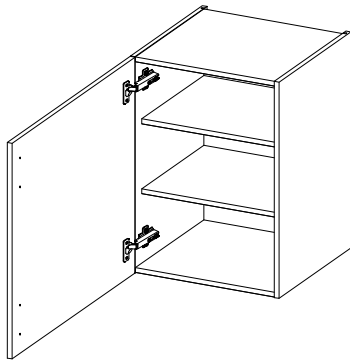
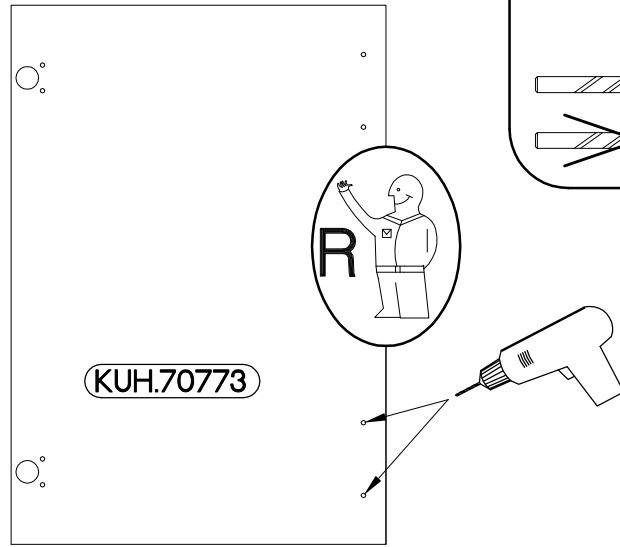
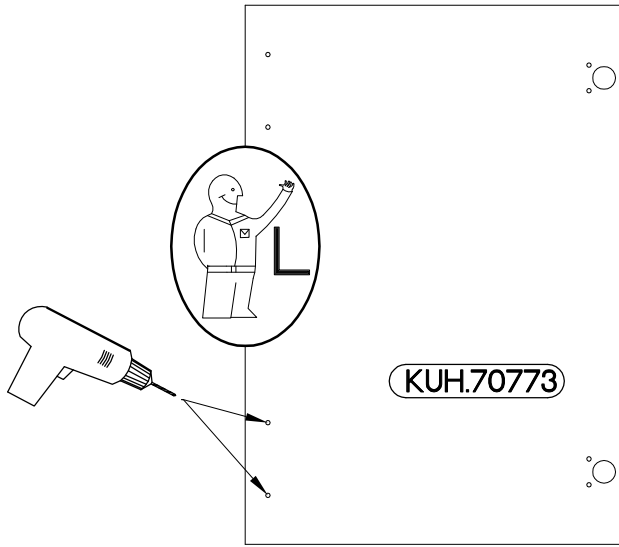
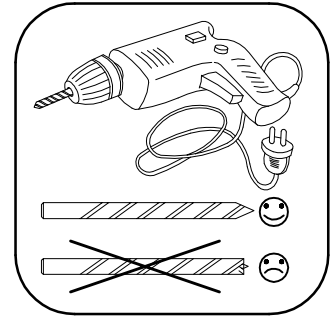


# 4



# 50 G-72 1F

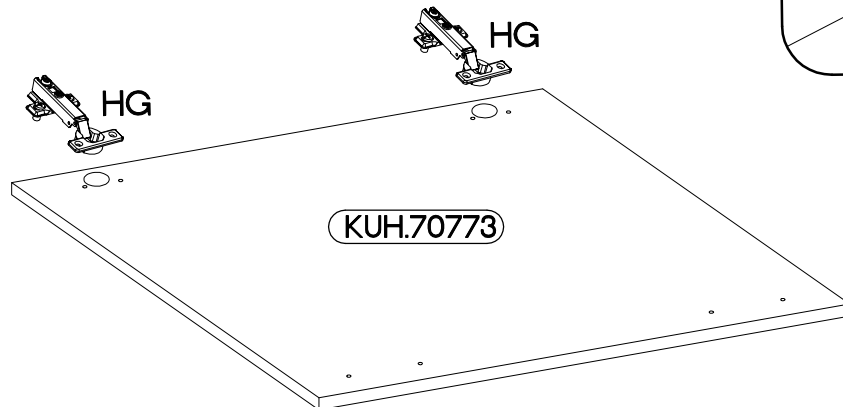
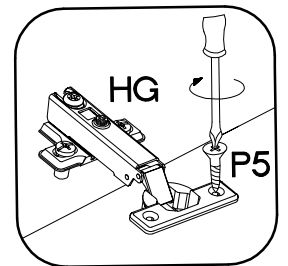
## LEFT

## RIGHT



# 5

 HG 2	 P5 4
--	--



6

M4x22mm



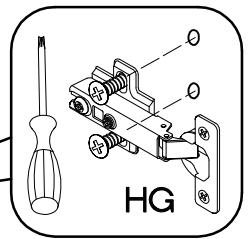
U

2

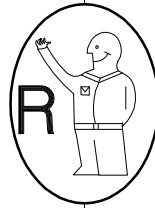


S

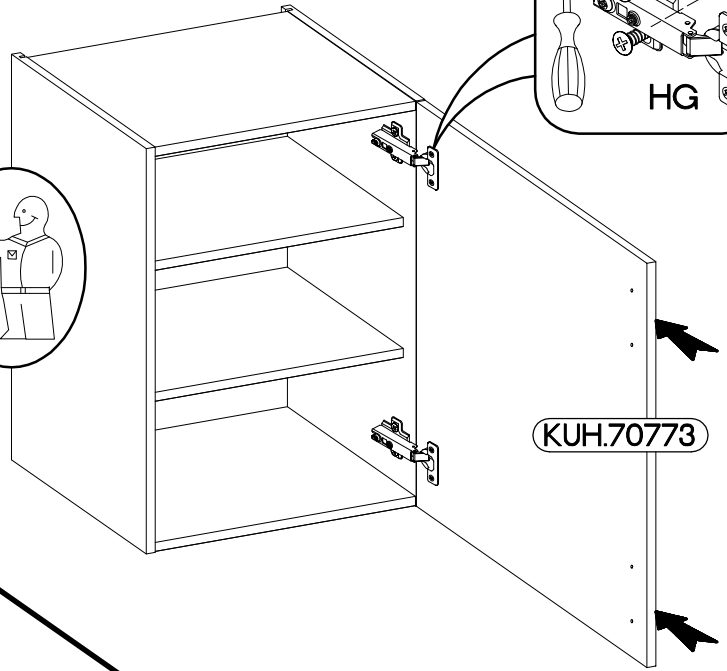
1



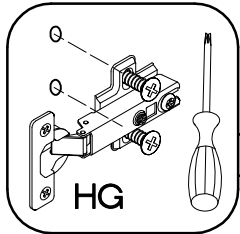
HG



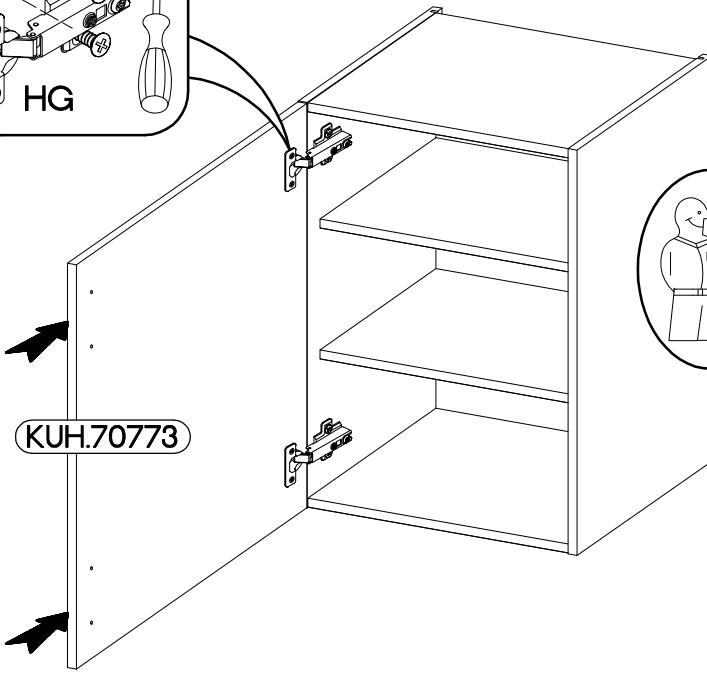
R



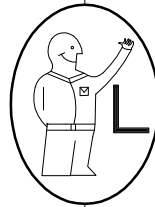
KUH.70773



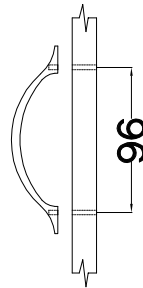
HG



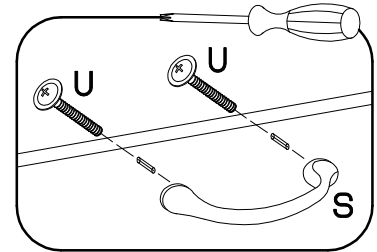
KUH.70773



L

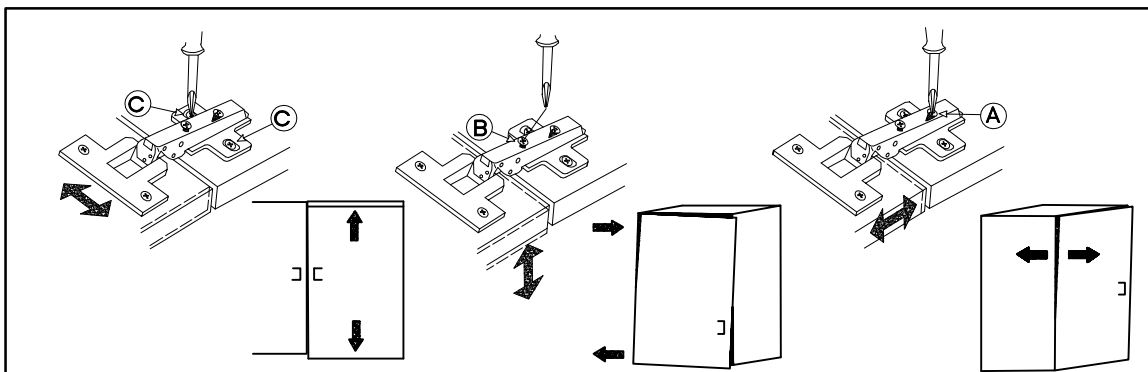


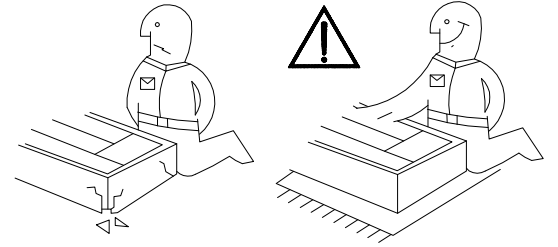
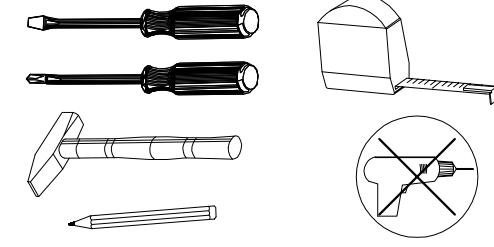
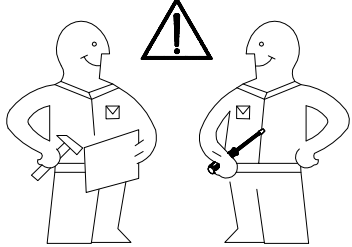
96



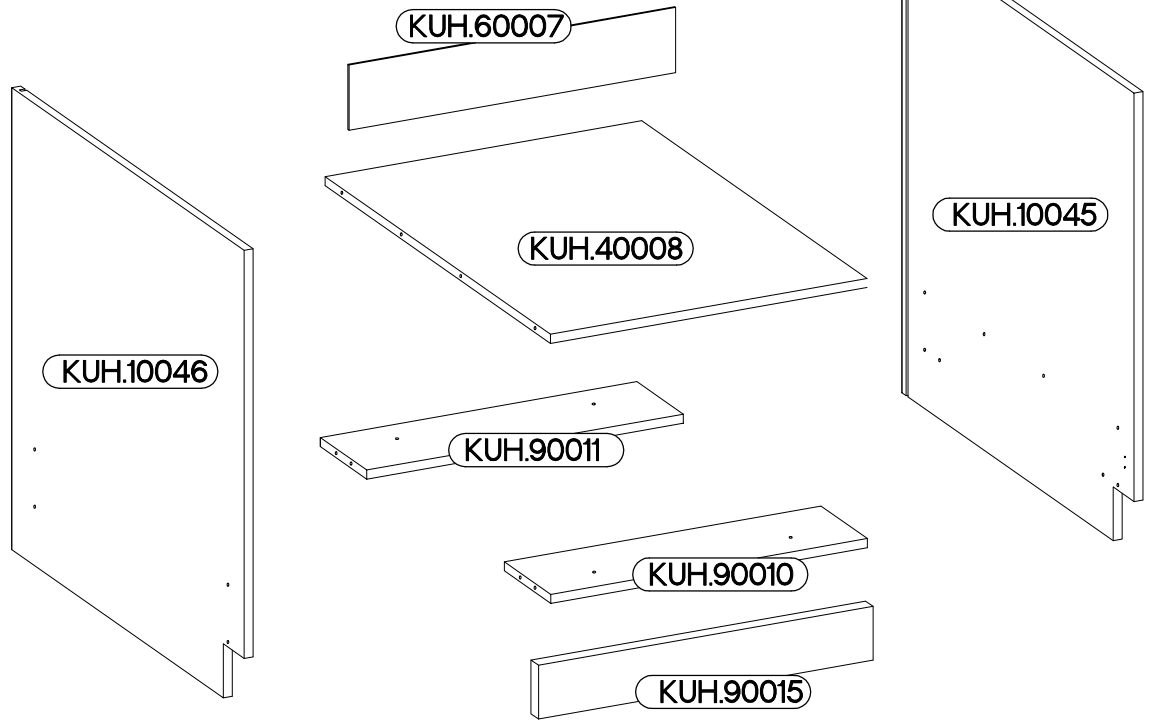
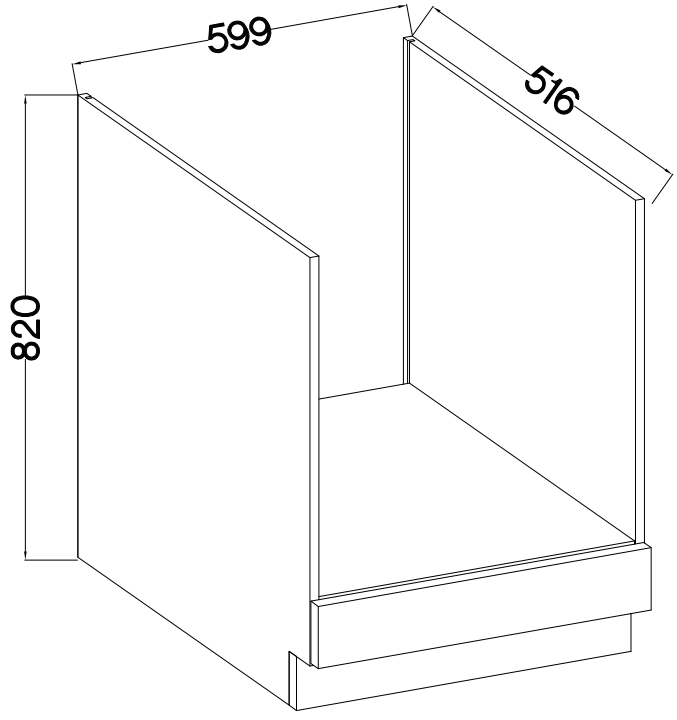
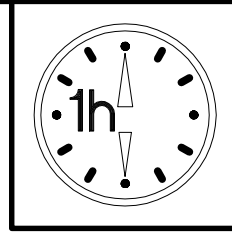
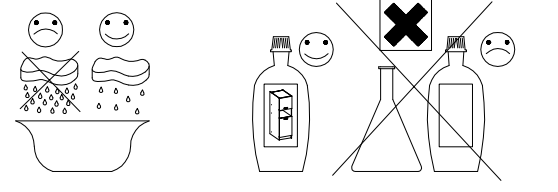
U

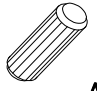



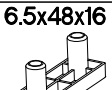
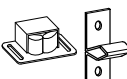
S

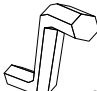
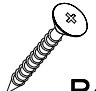




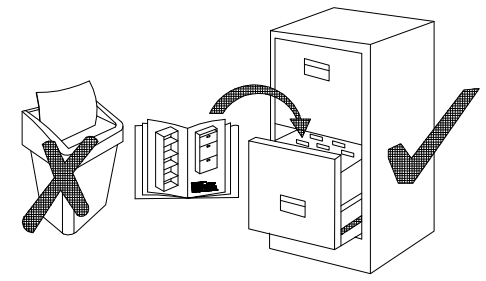


60 D GAZ BB



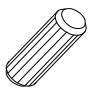
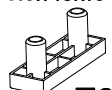
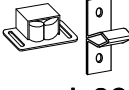

$\pm 8 \times 30 \text{mm}$  A	$6,4 \times 50 \text{mm}$  B	 E1
8	8	8
 E9	$6,5 \times 48 \times 16$  F2	 L28
2	4	2

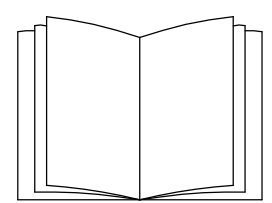
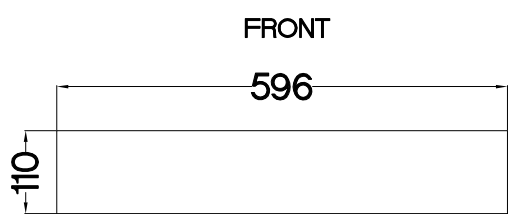
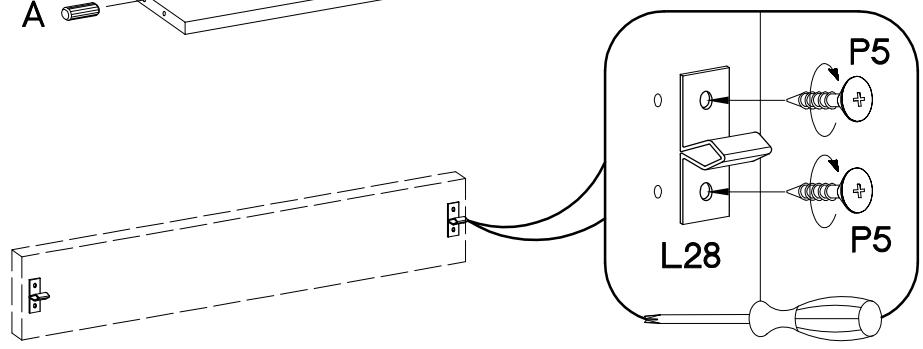
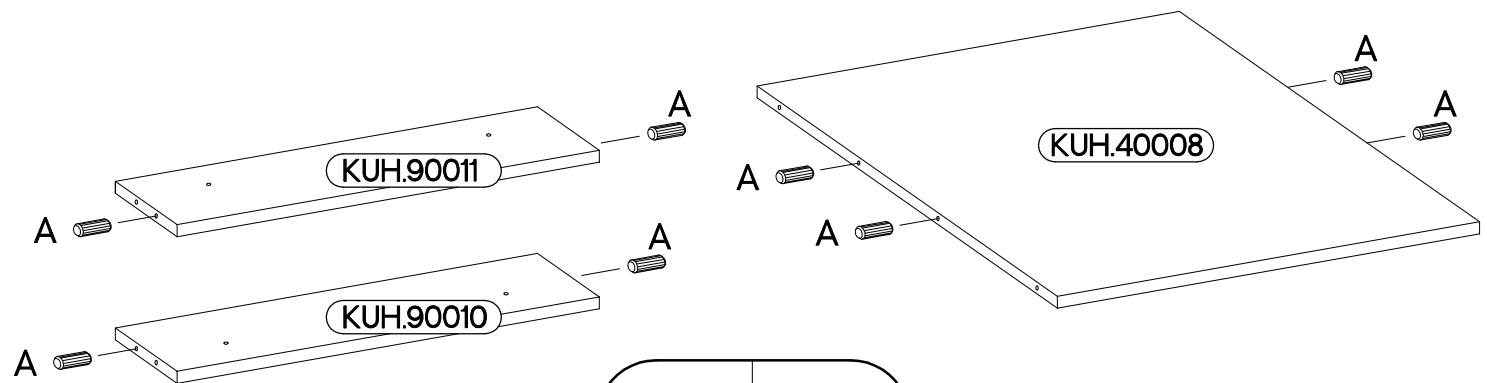
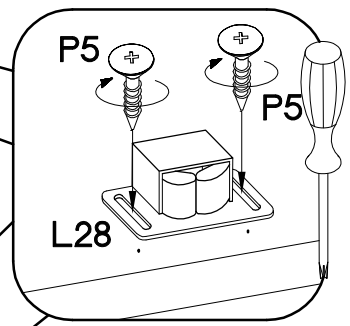
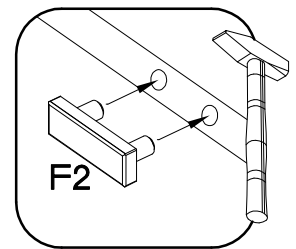
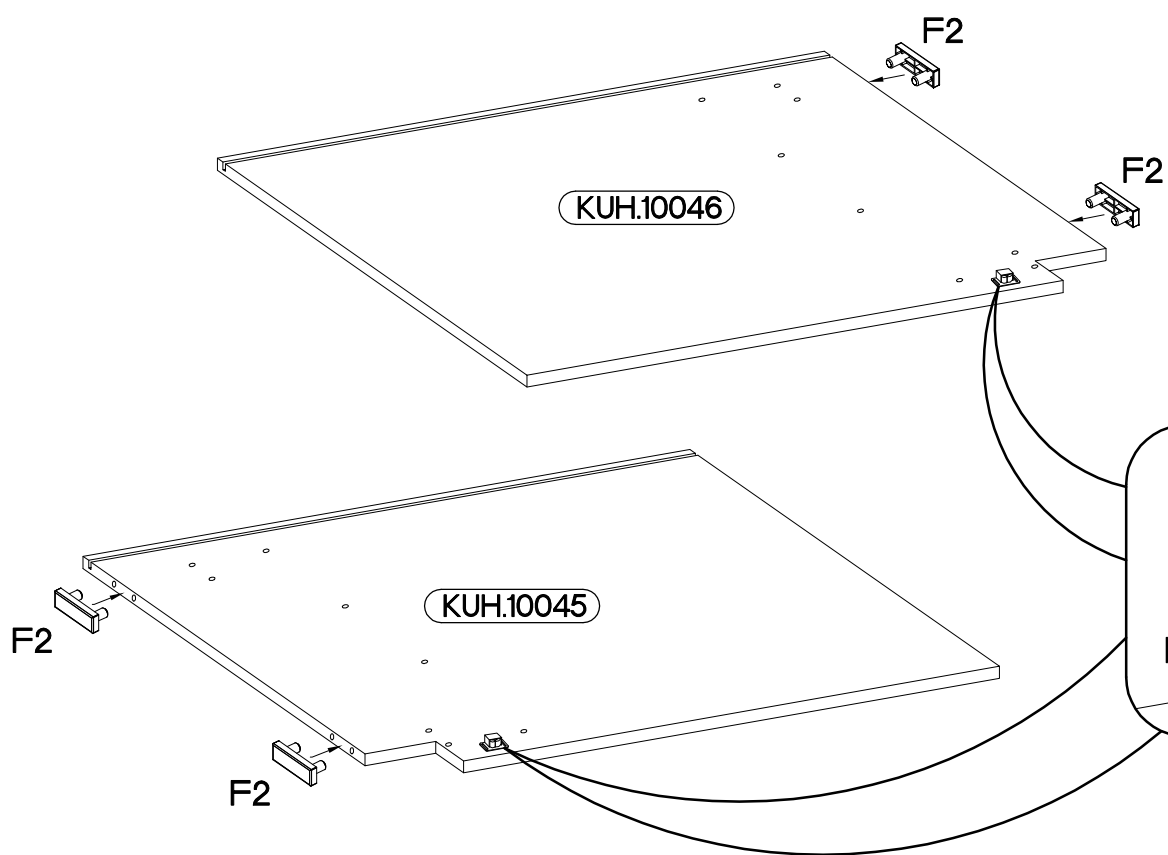
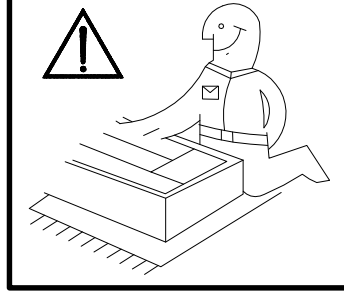
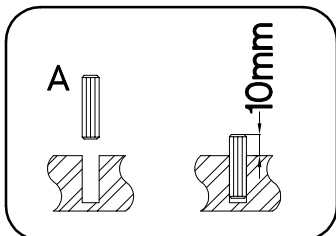
 O	$\pm 4,0 \times 45 \text{mm}$  P4	$\pm 3,5 \times 13 \text{mm}$  P5	$\pm 3,0 \times 20 \text{mm}$  P7
1	2	8	8-10



ISM-KUH-01141

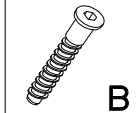
1

$\pm 8 \times 30 \text{mm}$  A 8	$6.5 \times 48 \times 16$  F2 4	 L28 2	$\pm 3.5 \times 13 \text{mm}$  P5 8
---	--	--	--



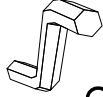
2

6,4 x 50mm



B

2



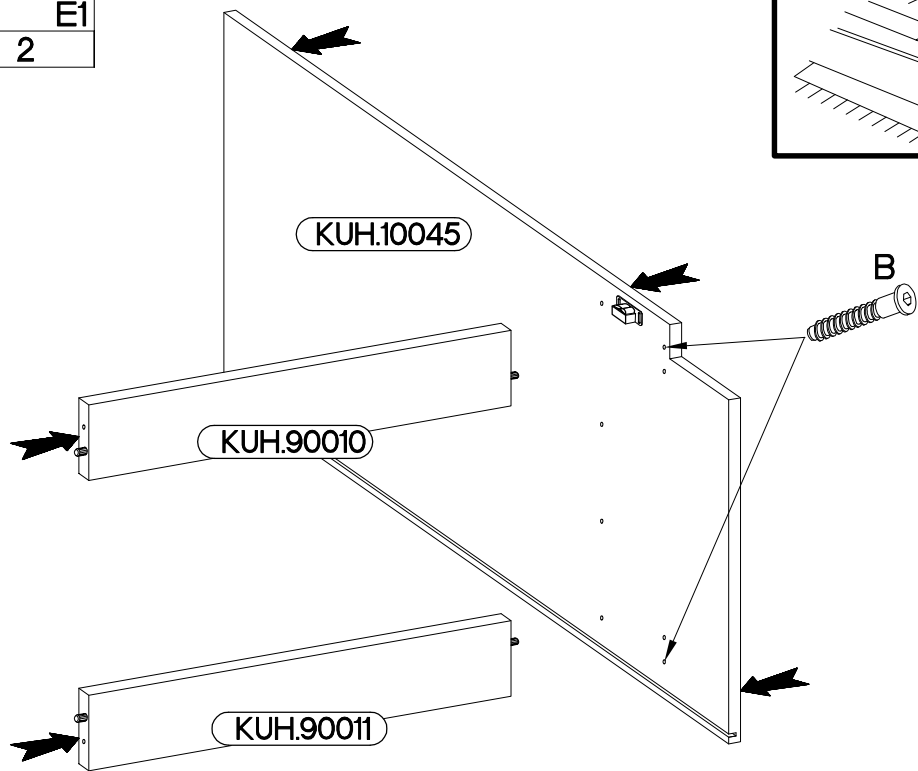
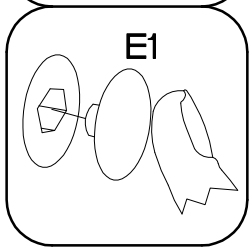
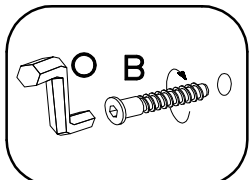
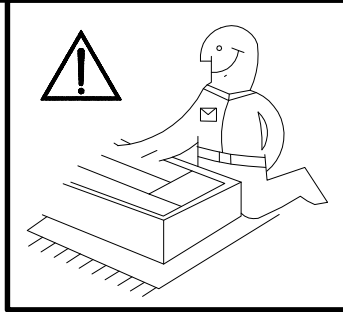
O

1



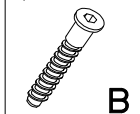
E1

2



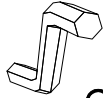
3

6,4 x 50mm



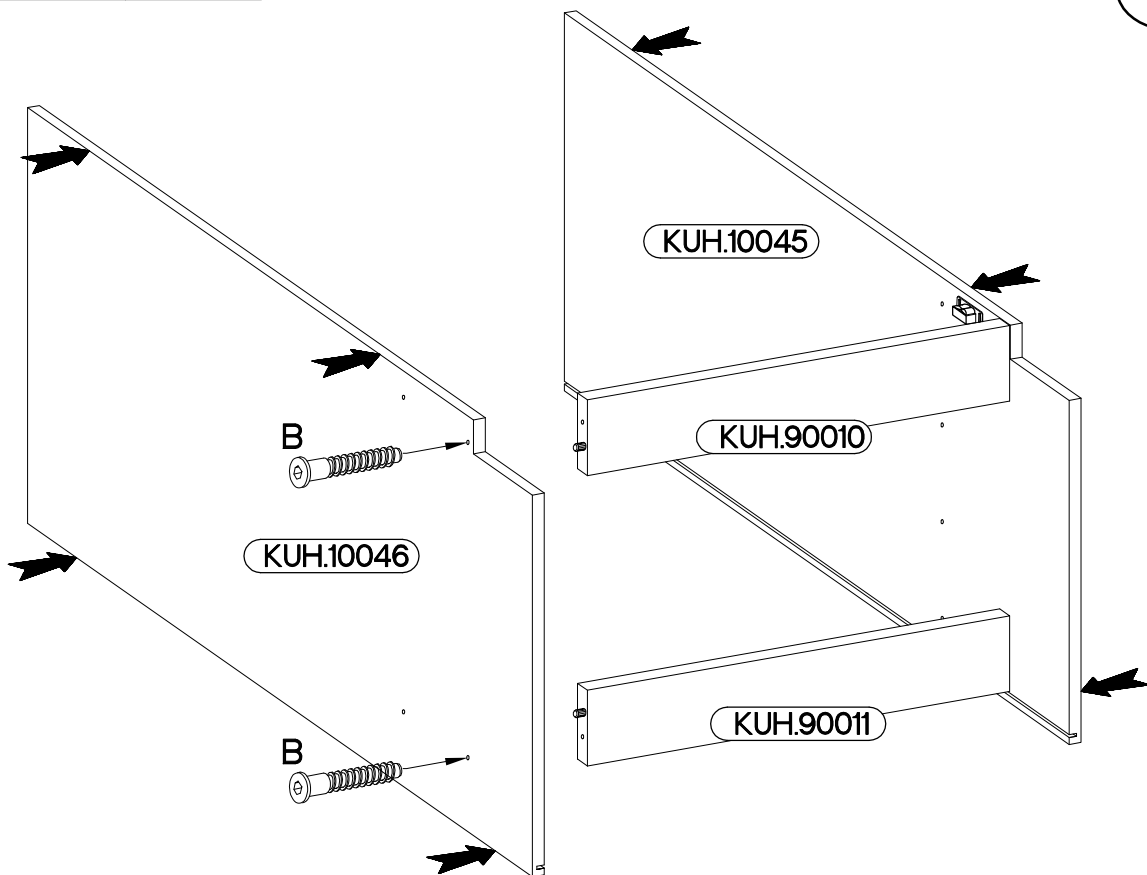
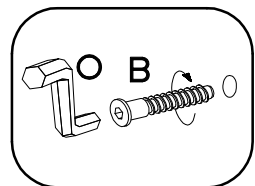
B

2




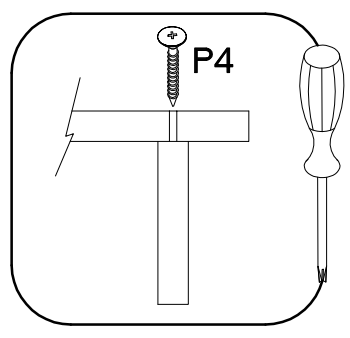
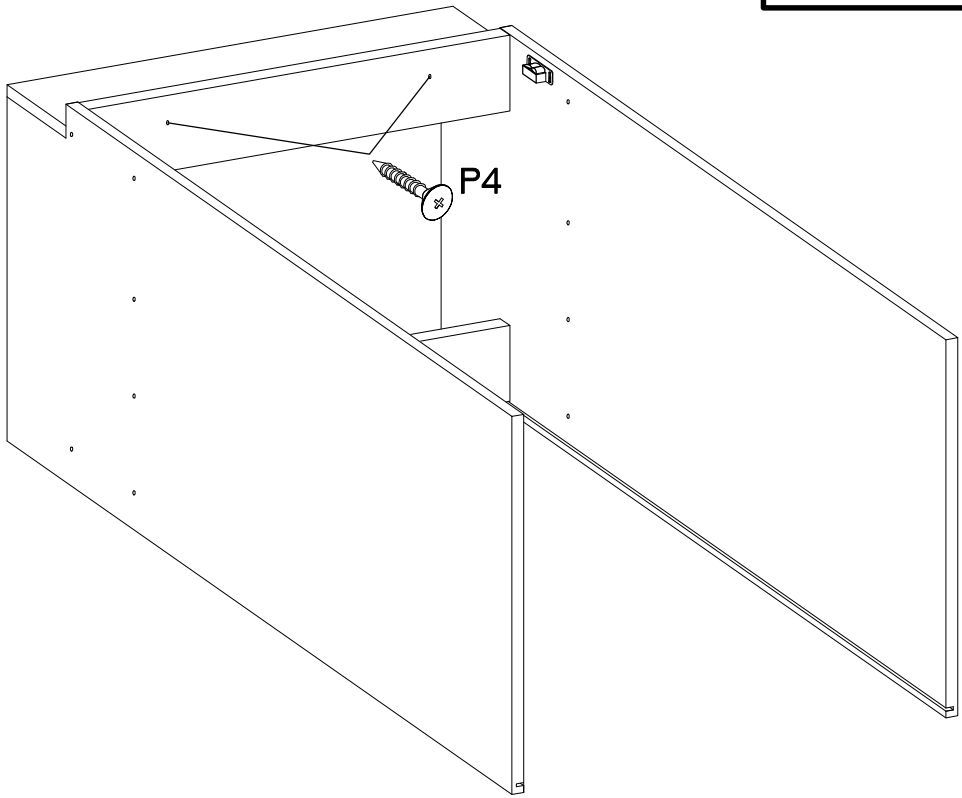
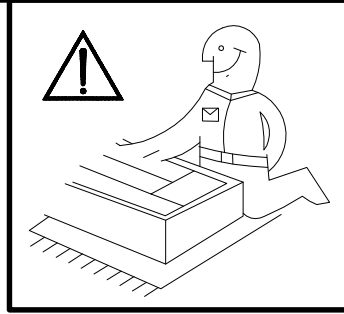
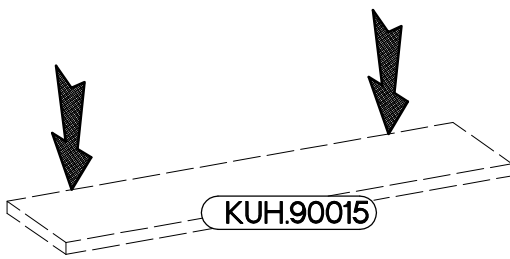
O

1

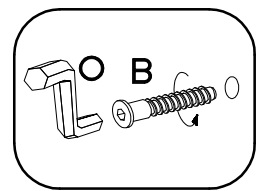
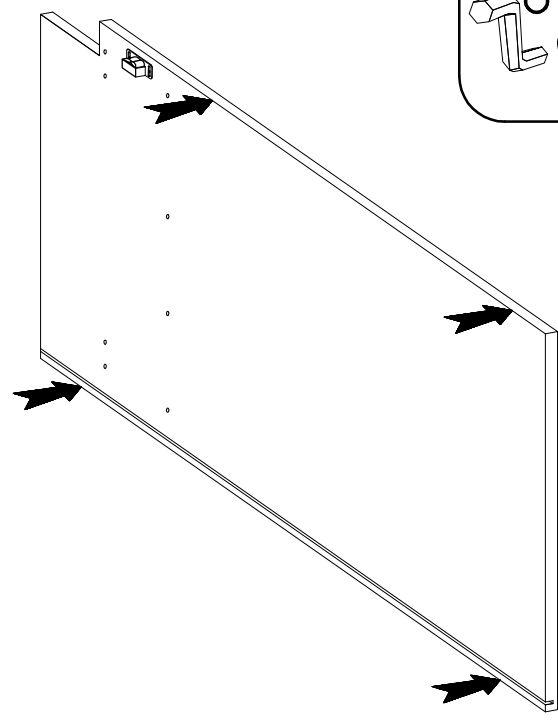
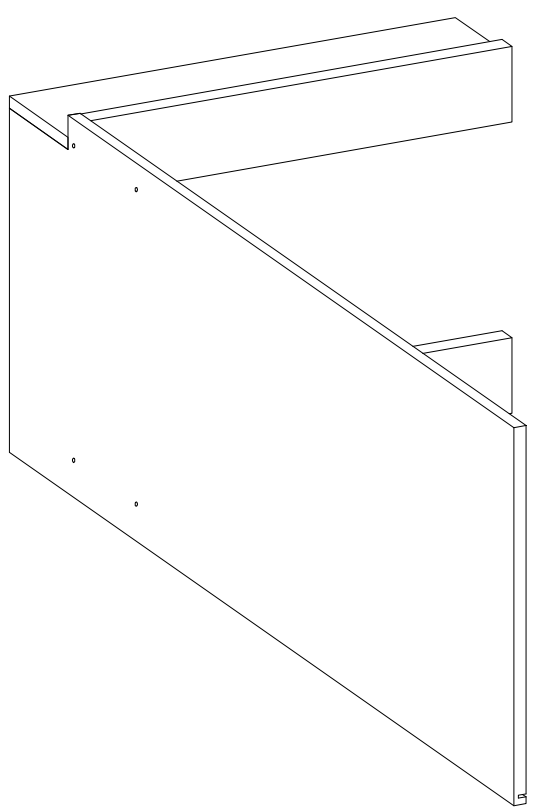


4

	$\pm 4.0 \times 45 \text{mm}$
E9	P4
2	2

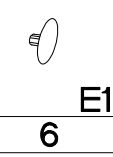
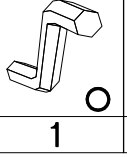
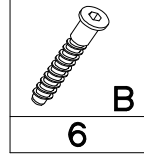


5



6

6,4 x 50mm



B

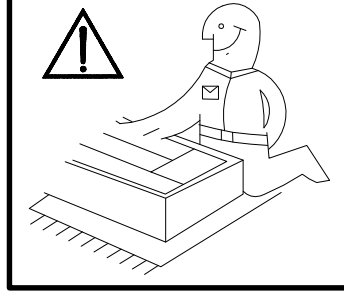
O

E1

6

1

6

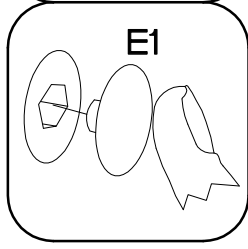
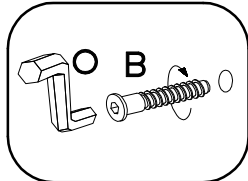


B

B

KUH.40008

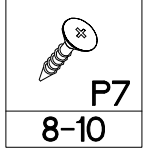
B



E1

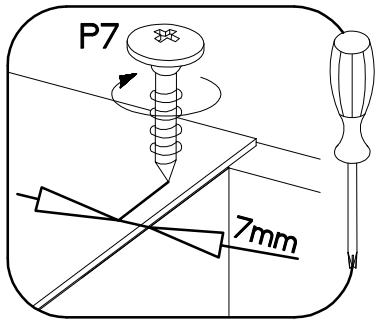
7

±3.0x20mm



P7

8-10



P7

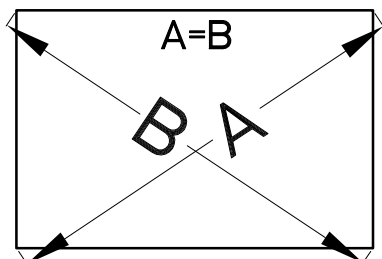
7mm

KUH.60007

P7

P7

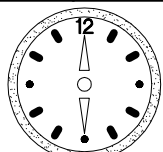
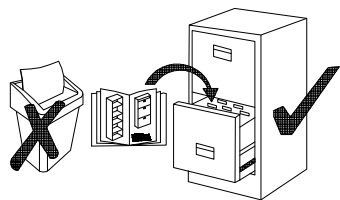
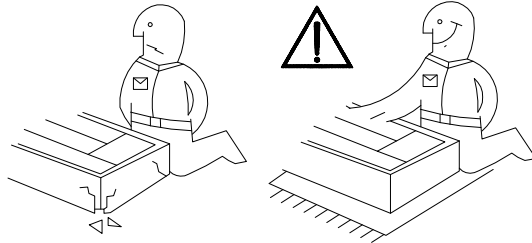
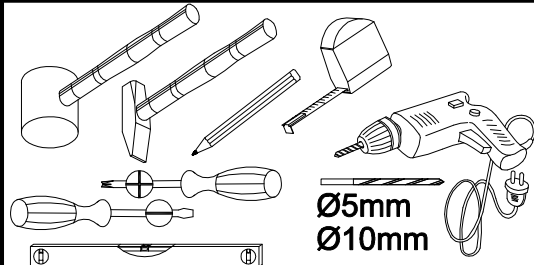
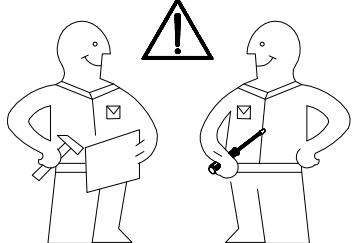
P7



A=B

B

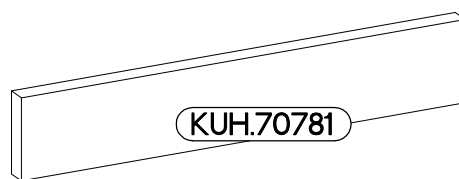
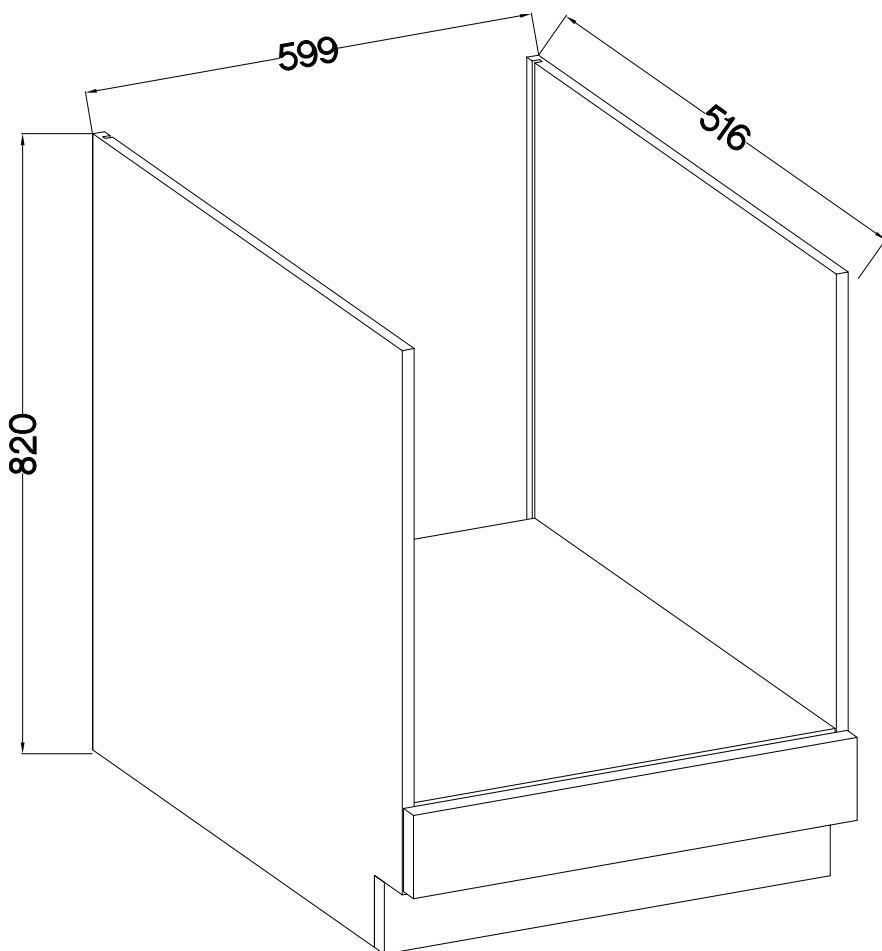
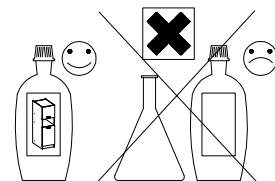
A



0.5h

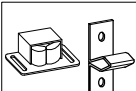
60 D GAZ BB

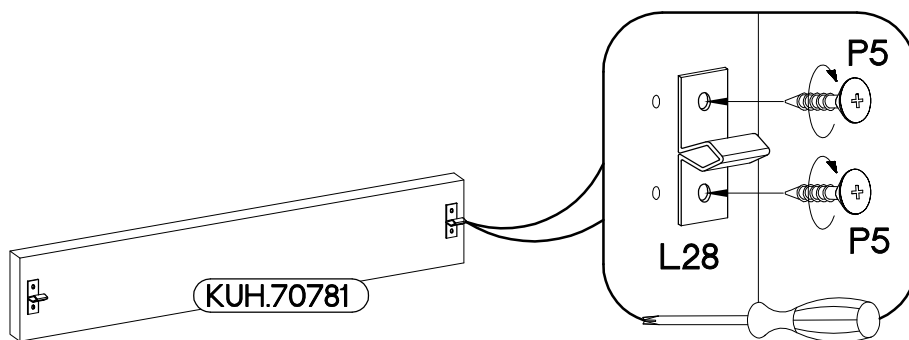
FRONT



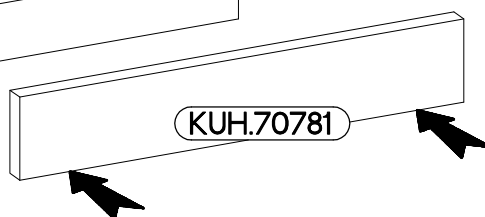
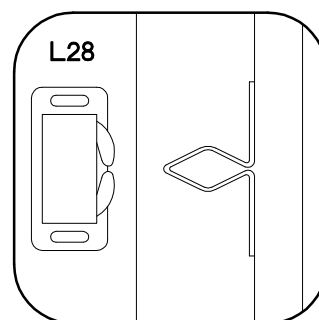
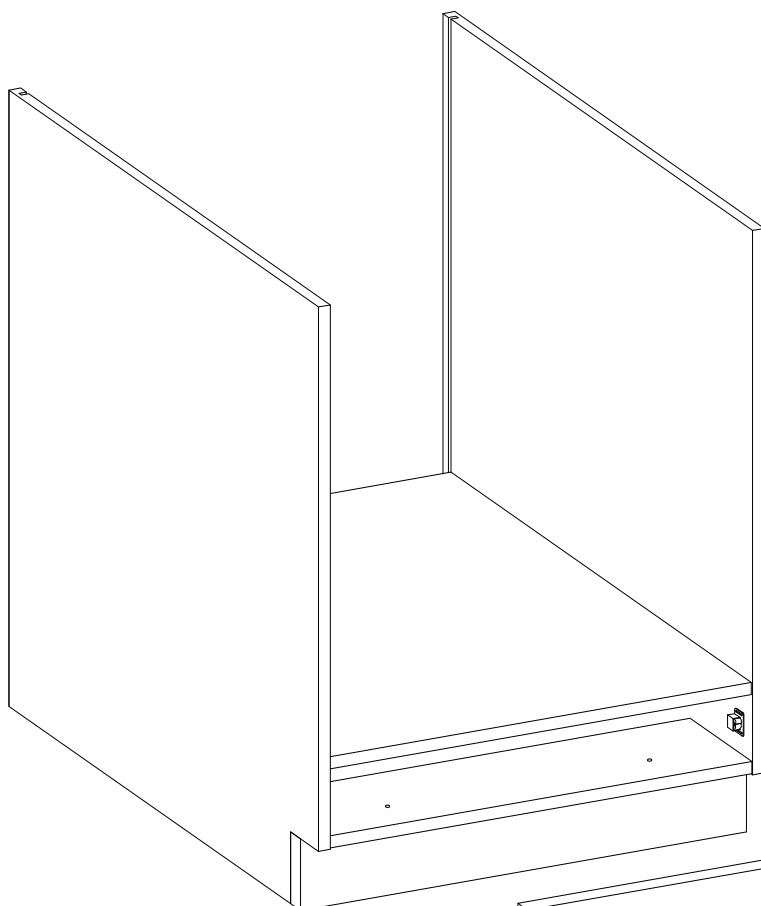
ISM-KUH-01202

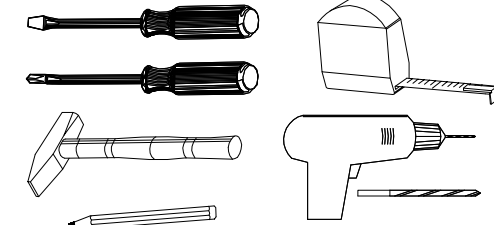
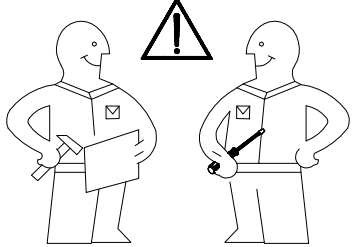
1

	$\varnothing 3.5 \times 13 \text{mm}$
L28	P5
2	4

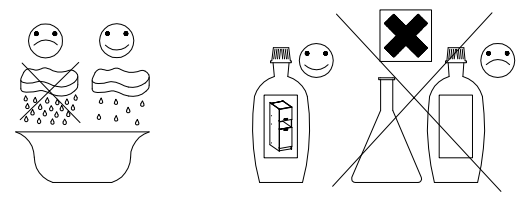
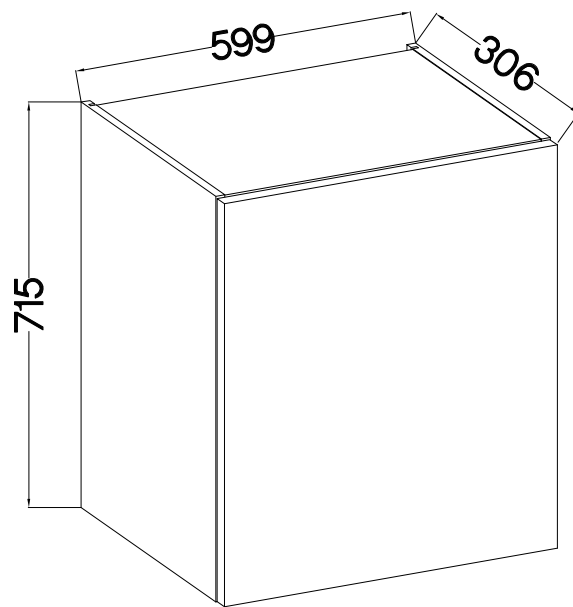
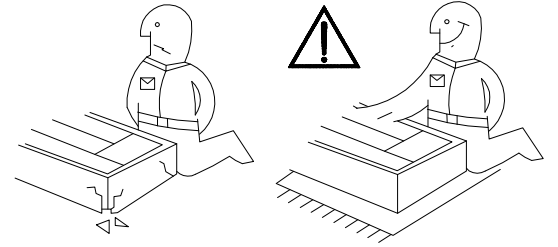


2

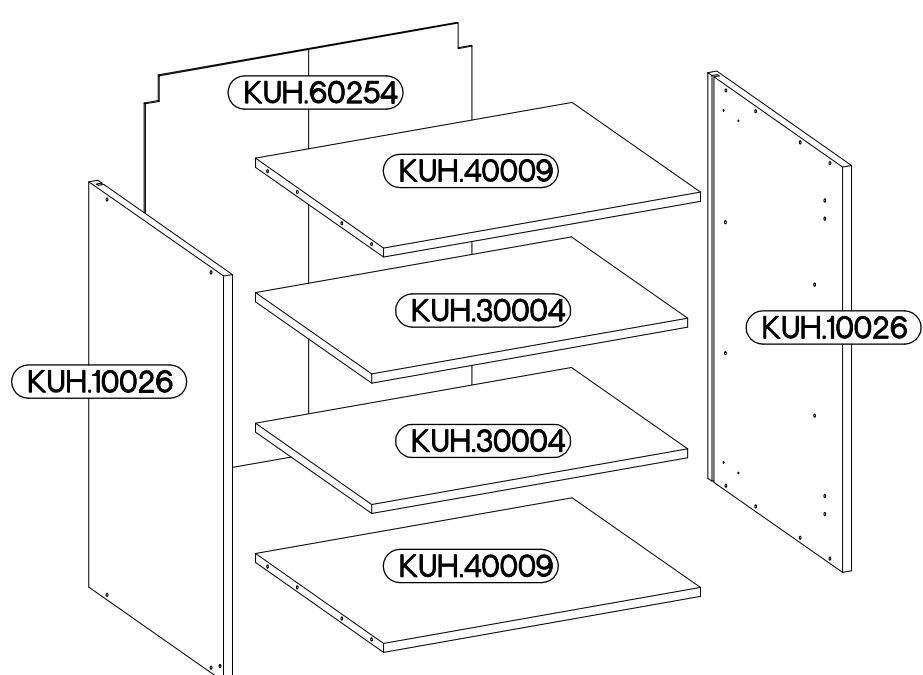
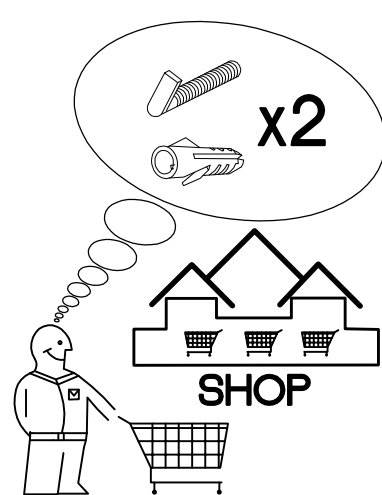
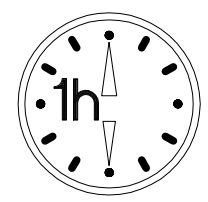




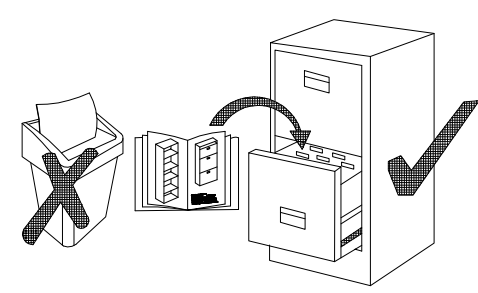
Ø10mm  
60 G-72 1F



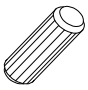
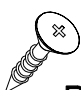
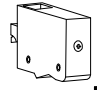
max. 5kg  
KUH.30004  
KUH.40009

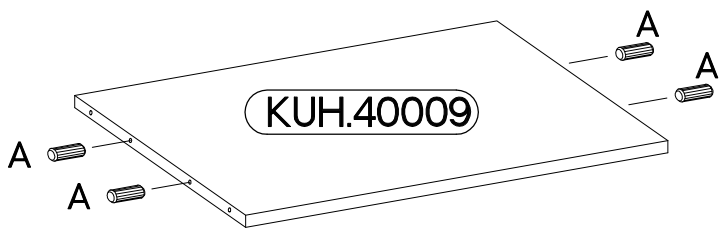
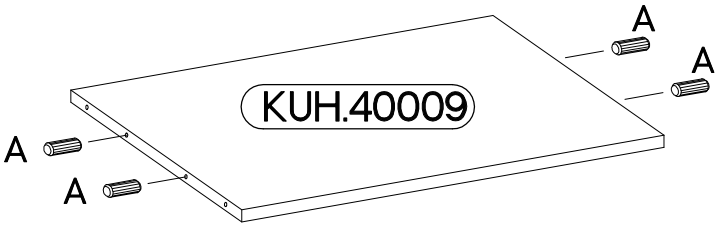
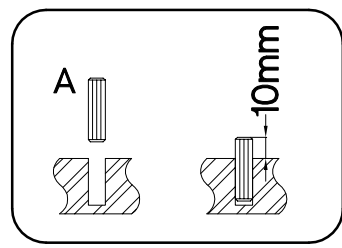
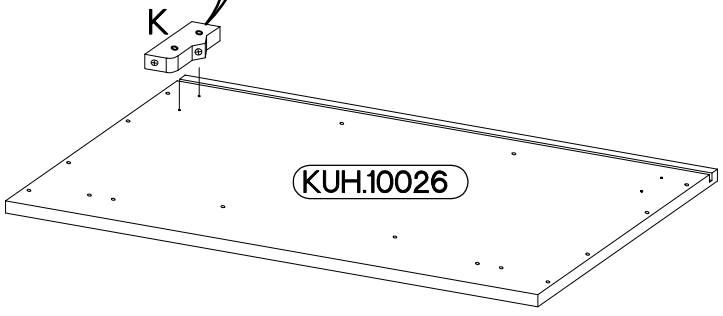
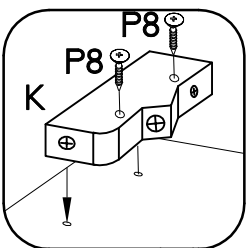
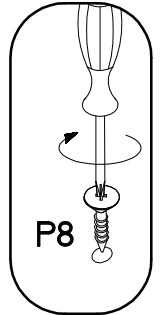
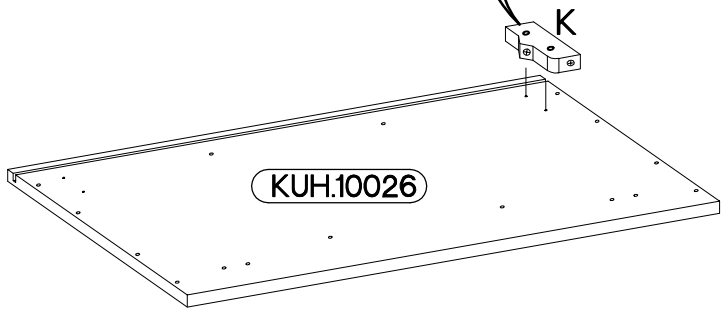
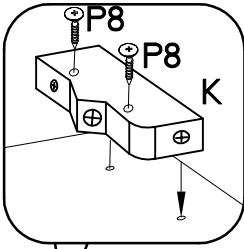
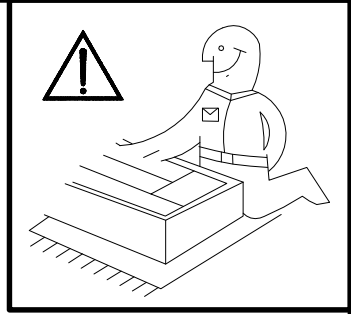


<p>†8x30mm A</p>	<p>6,4 x 50mm B</p>	<p>E1</p>	<p>†35/0mm HG</p>		
8	8	8	2		
<p>J</p>	<p>K</p>	<p>O</p>	<p>†3.5x13mm P5</p>	<p>†3.0x20mm P7</p>	<p>†4.0x30mm P8</p>
8	2	1	4	8-10	4



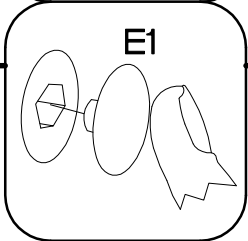
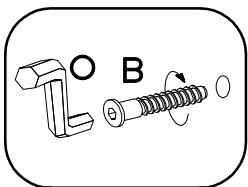
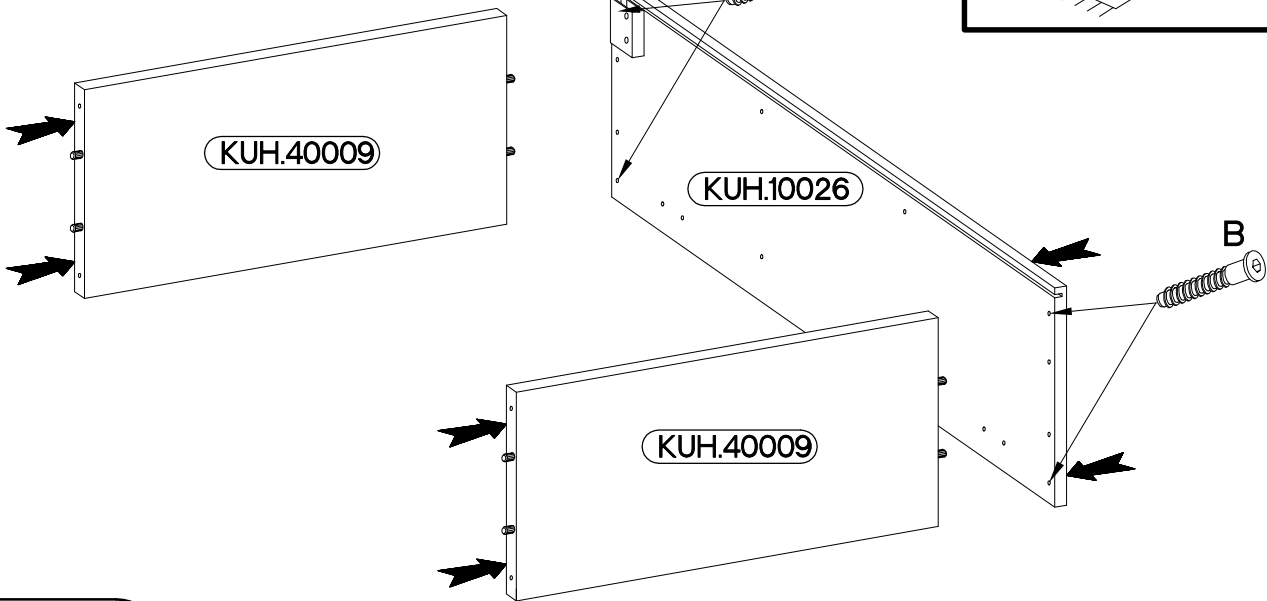
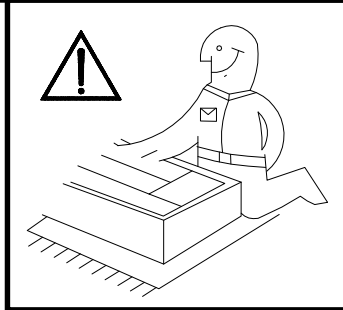
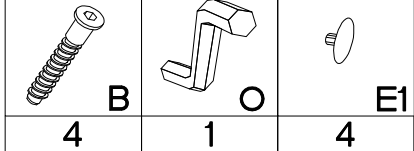
ISM-KUH-01142

$\pm 8 \times 30 \text{mm}$  A 8	$\pm 4.0 \times 30 \text{mm}$  P8 4	 K 2
---	--	--

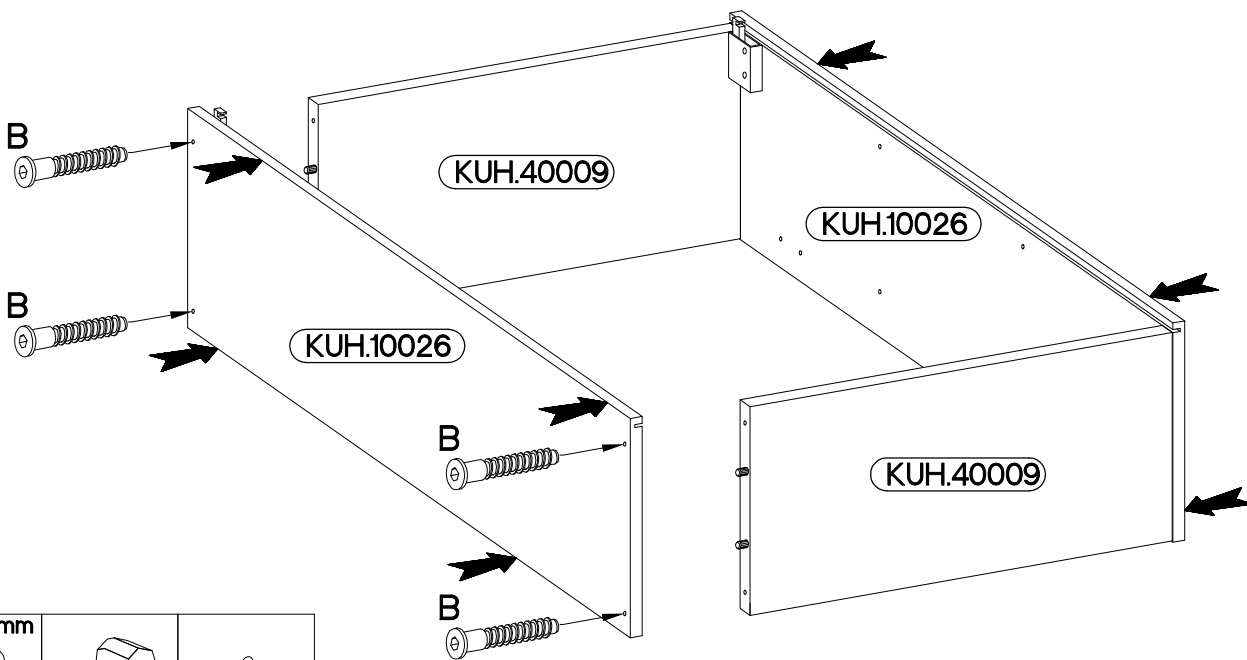


2

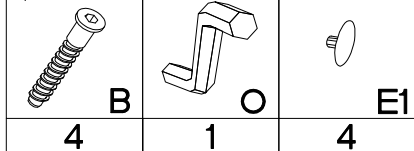
6,4 x 50mm



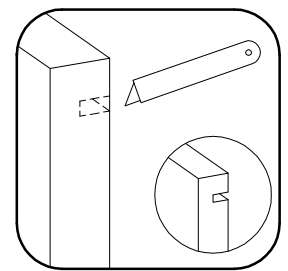
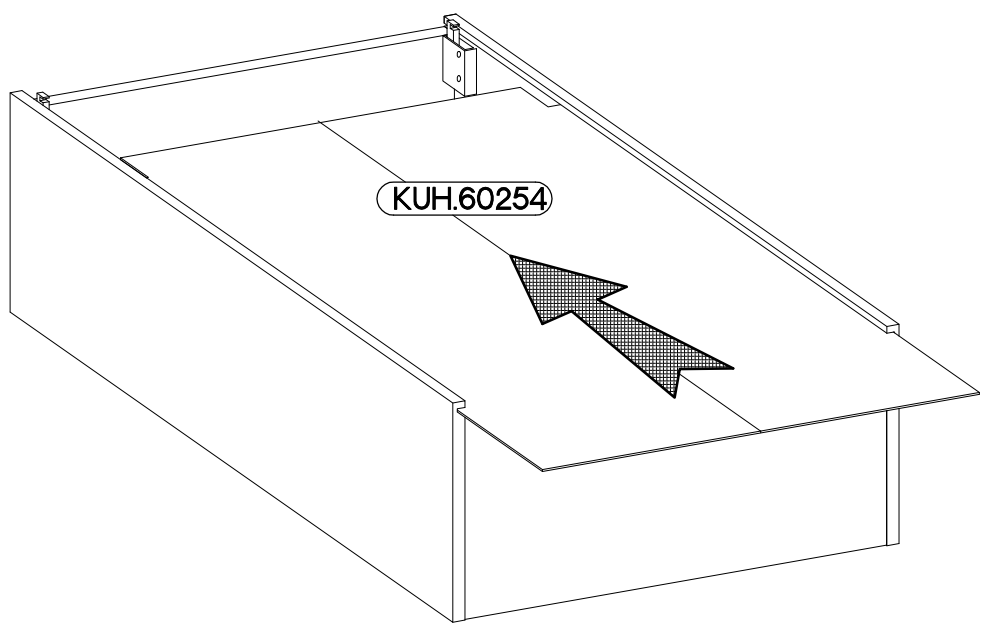
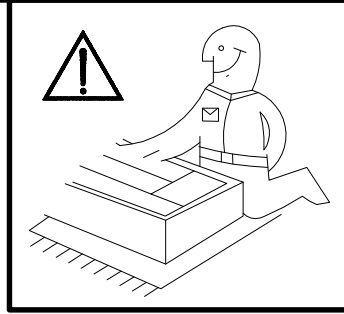
3



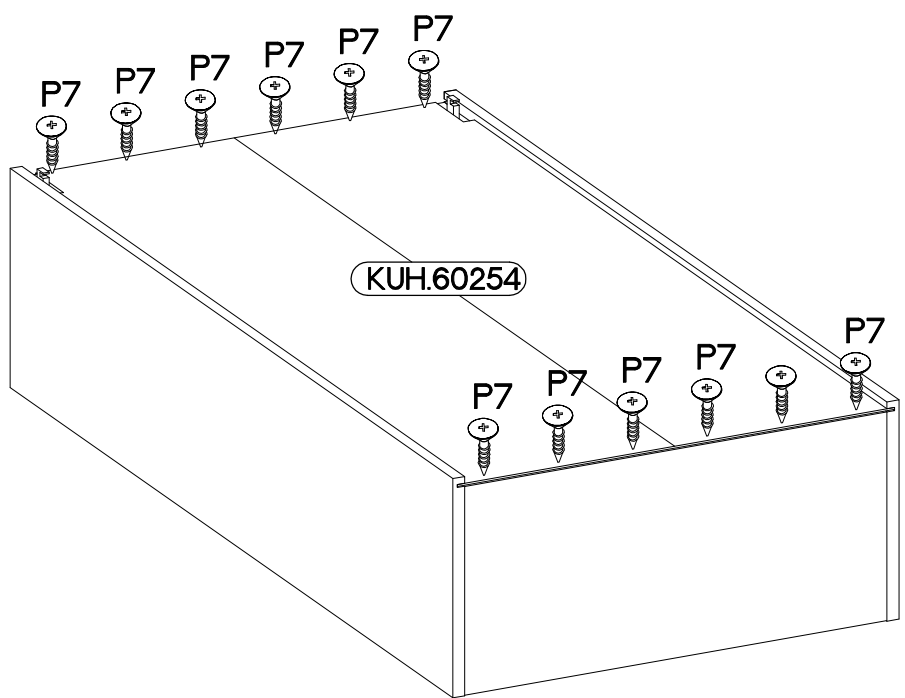
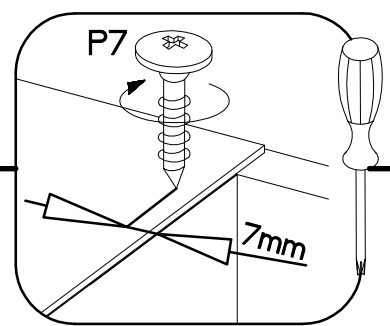
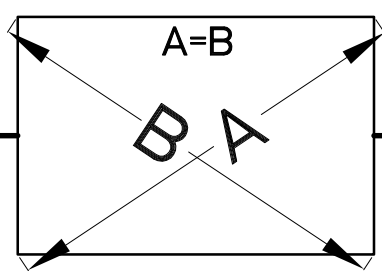
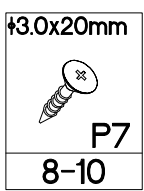
6,4 x 50mm

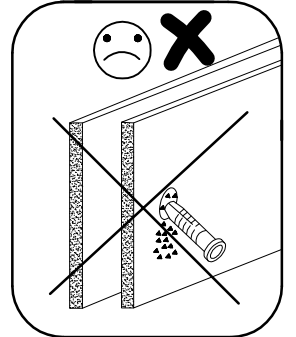
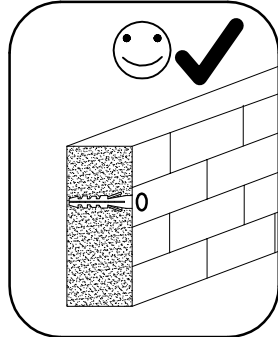
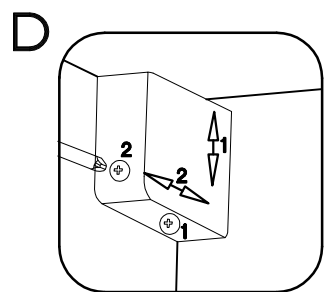
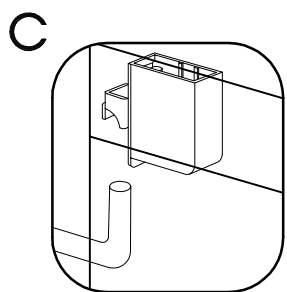
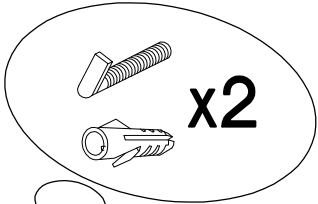
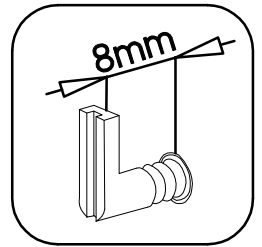
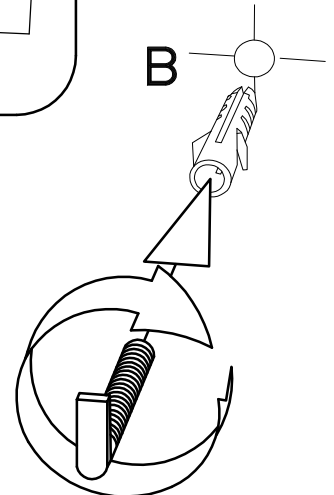
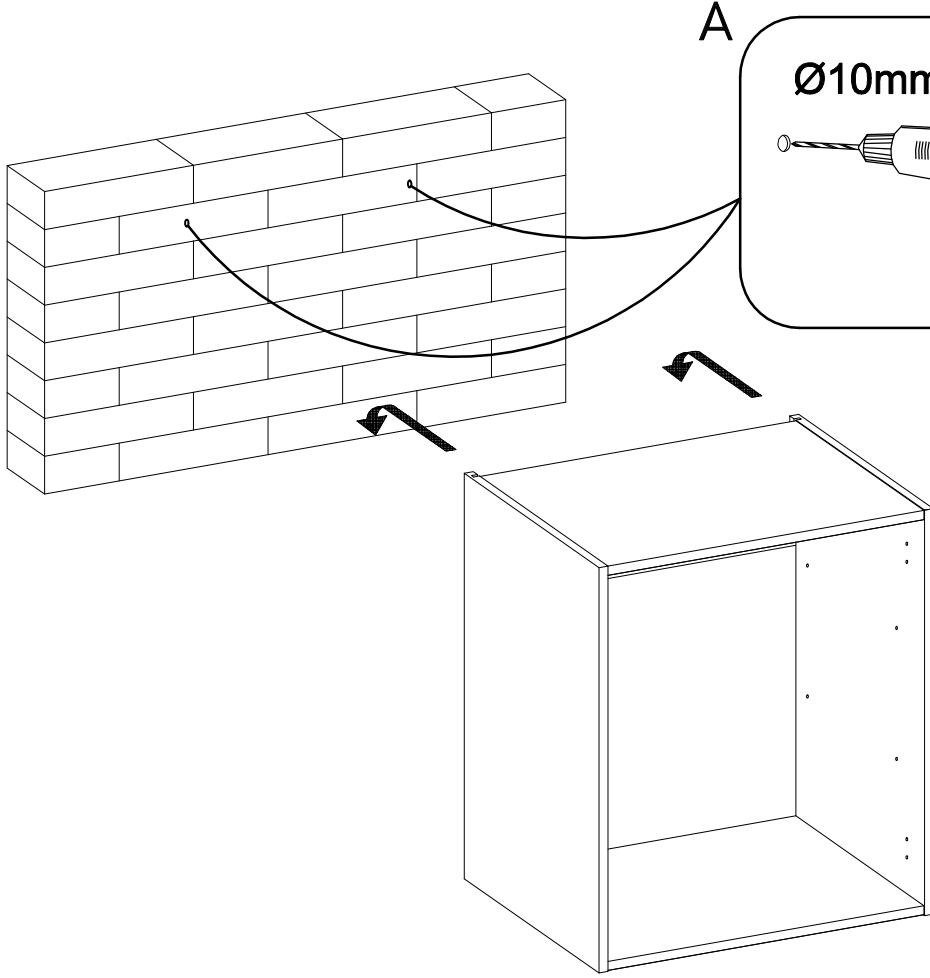
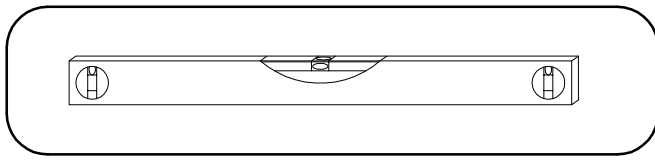


4

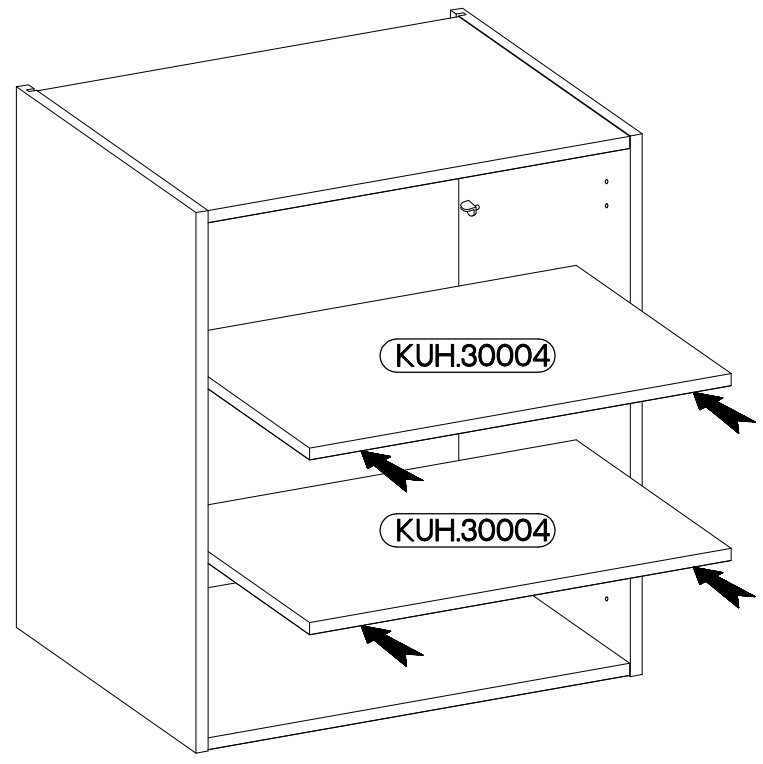
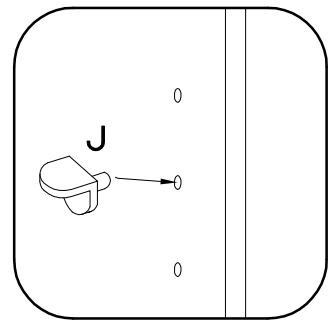
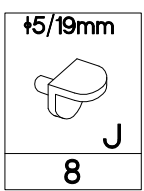


5



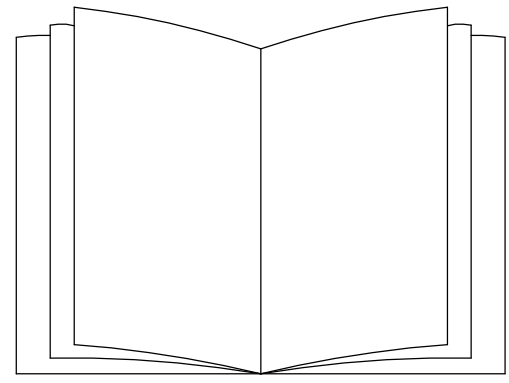
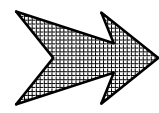
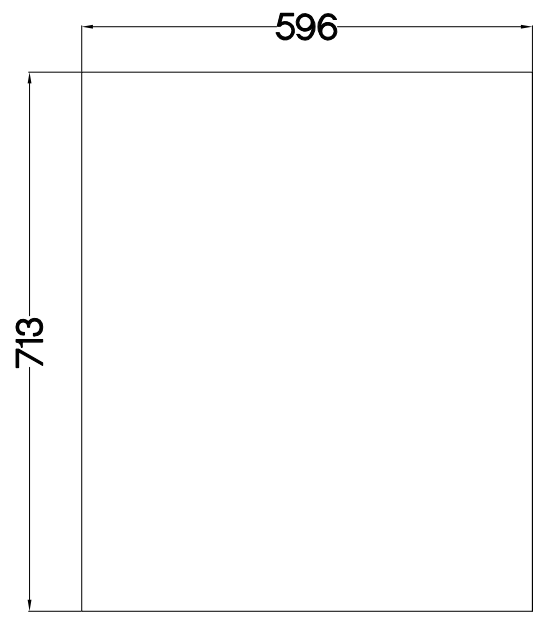


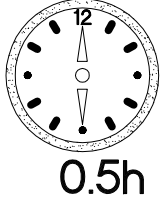
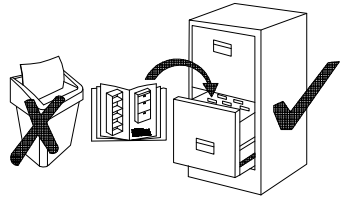
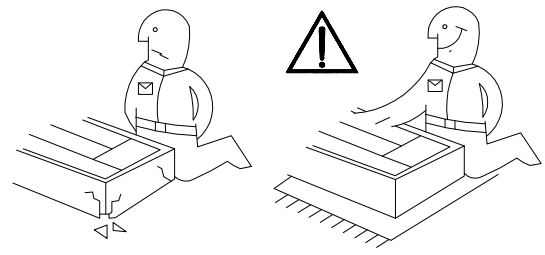
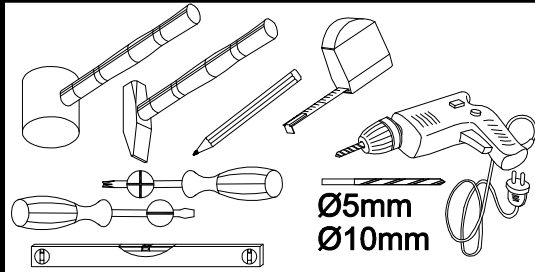
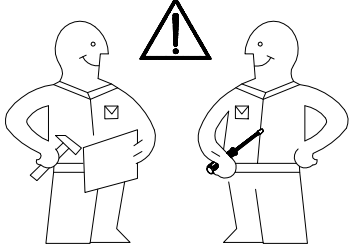
7



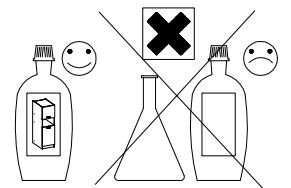
8

FRONT

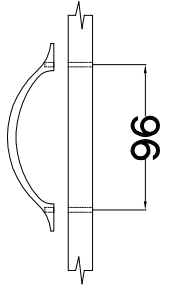
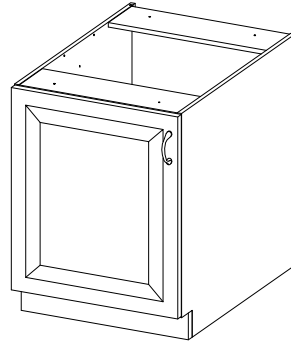
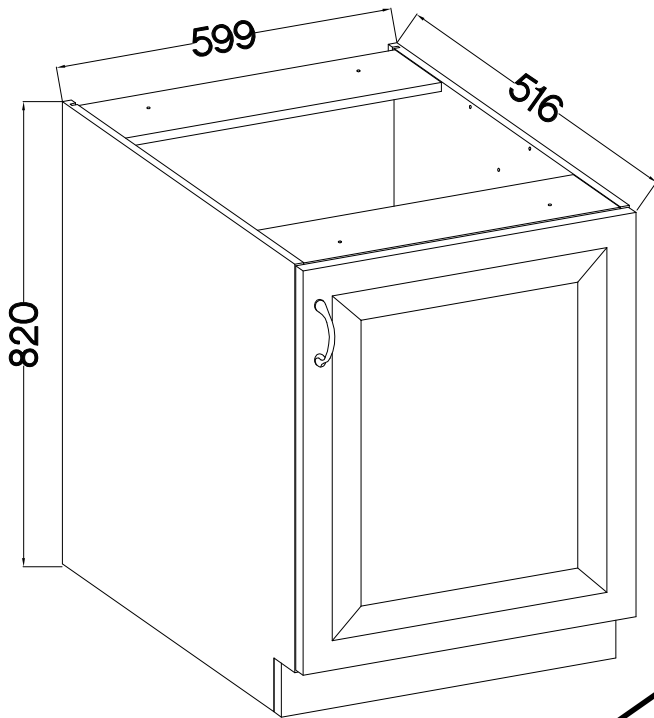




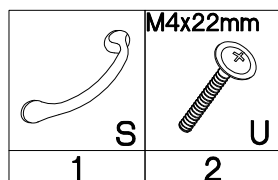
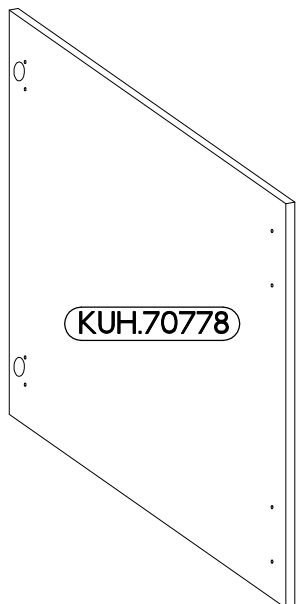
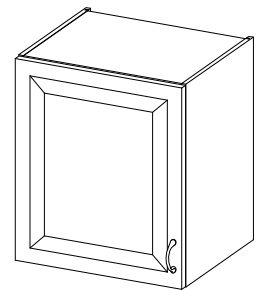
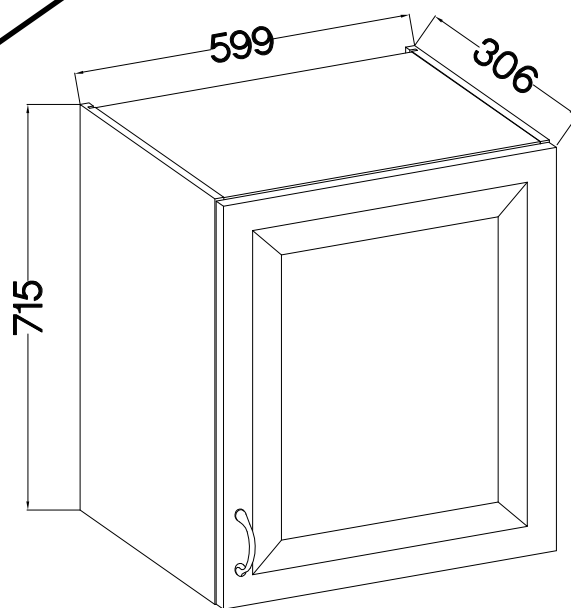
FRONT



60 D 1F BB



60 G-72 1F



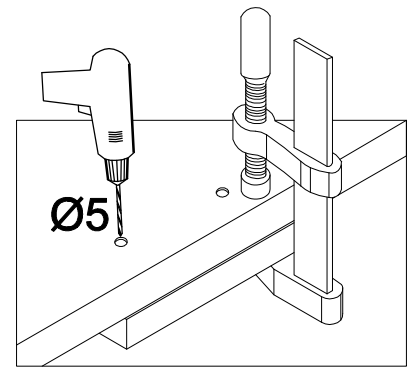
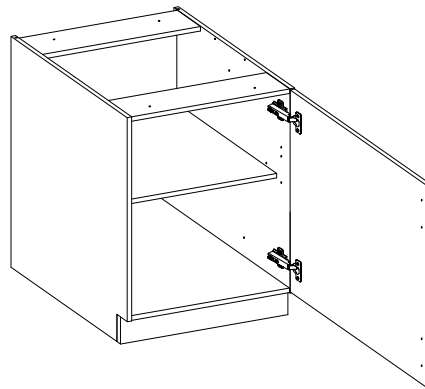
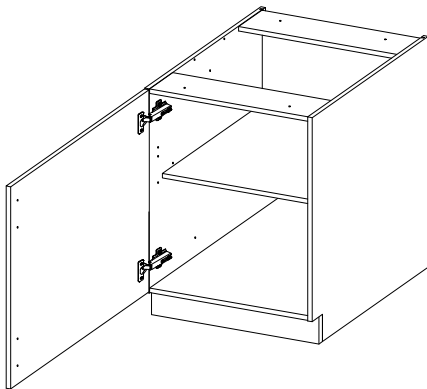
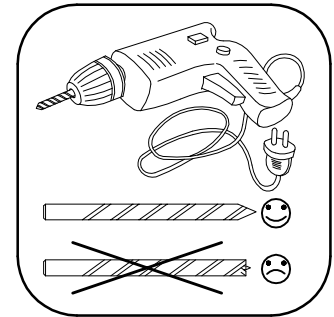
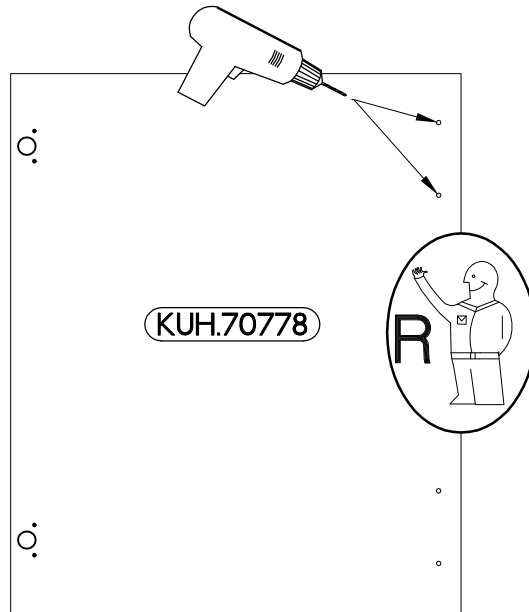
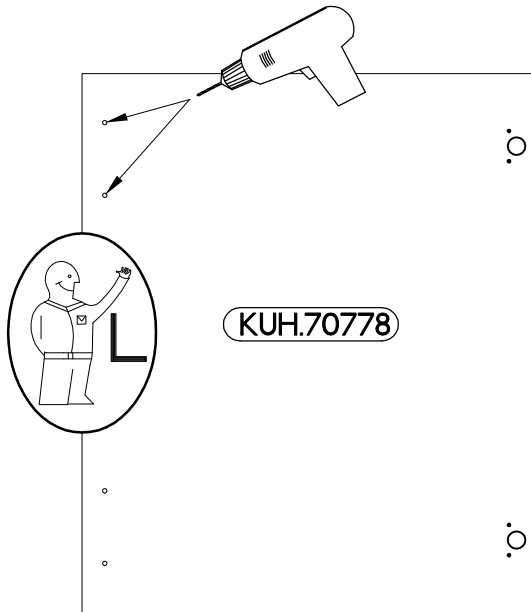
ISM-KUH-01192

1

60 D 1F BB

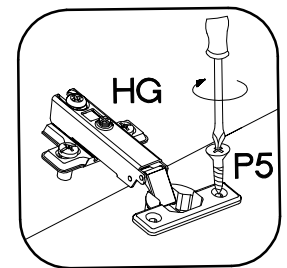
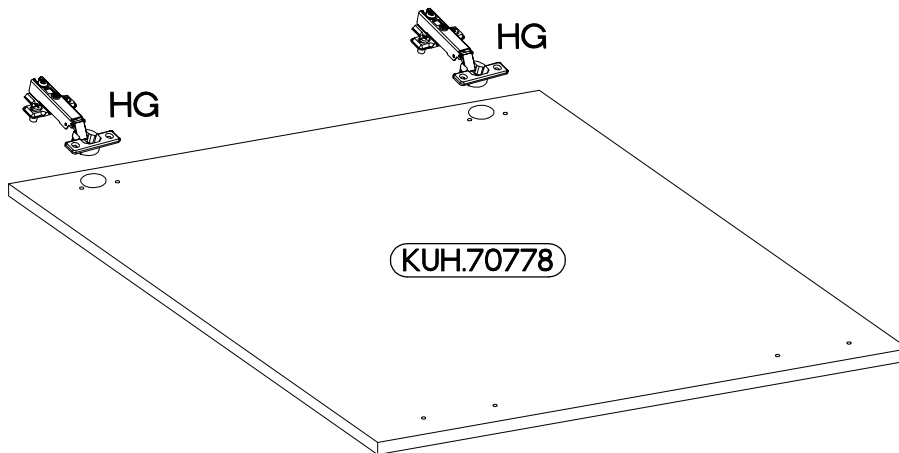
LEFT

RIGHT



2

+35/0mm	+3.5x13mm
HG	P5
2	4



M4x22mm



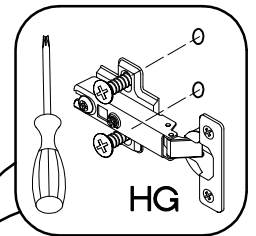
U

2

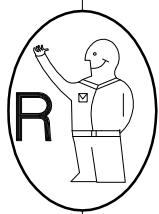


S

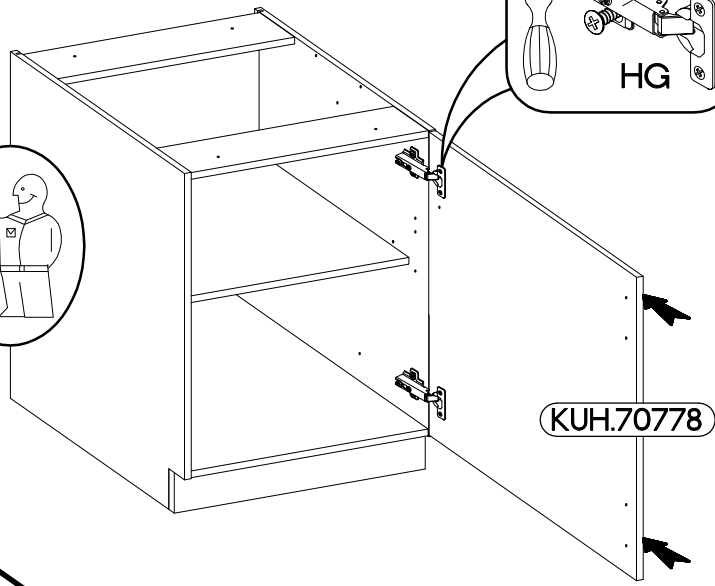
1



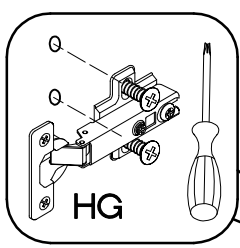
HG



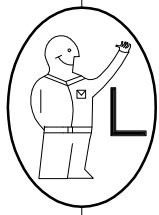
R



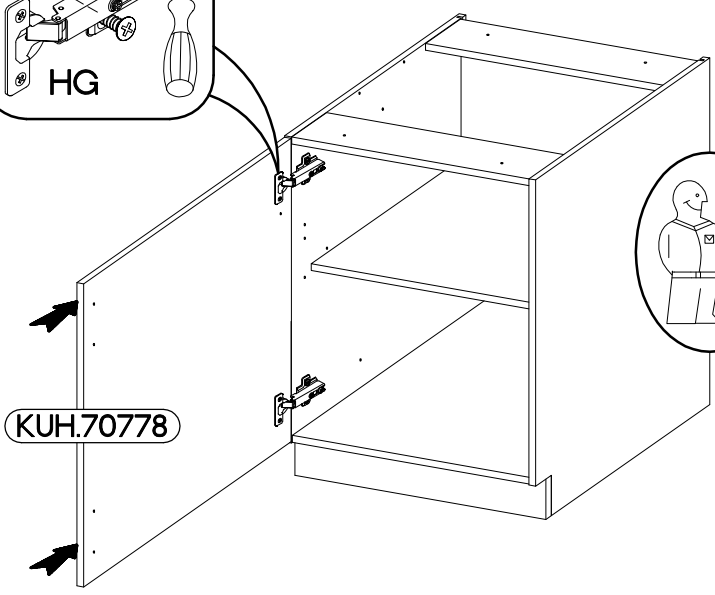
KUH.70778



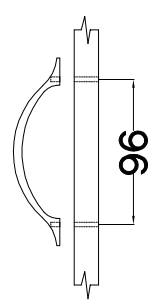
HG



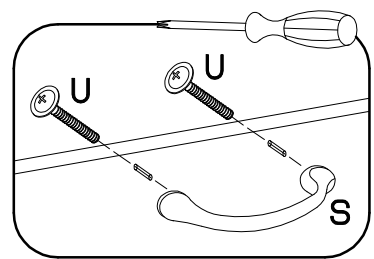
L



KUH.70778

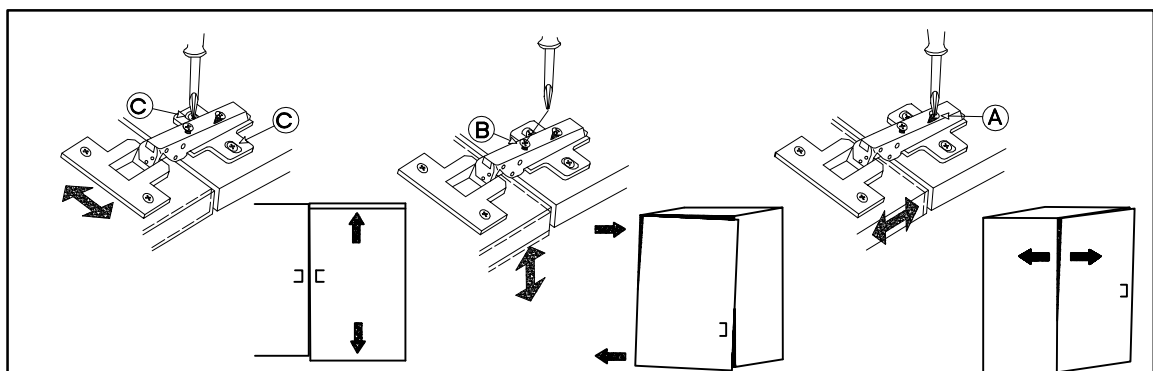


96

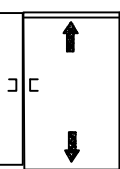


U

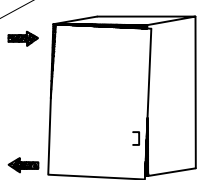
S



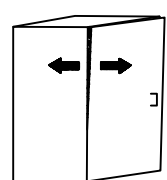
C



B



A

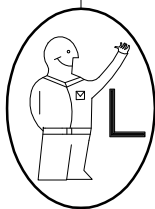
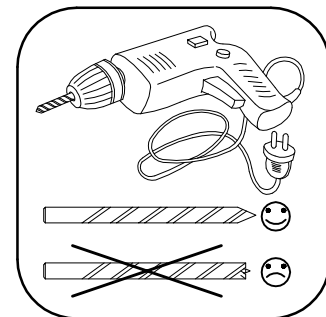


# 4

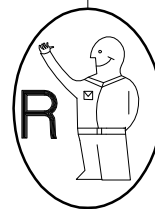
# 60 G-72 1F

## LEFT

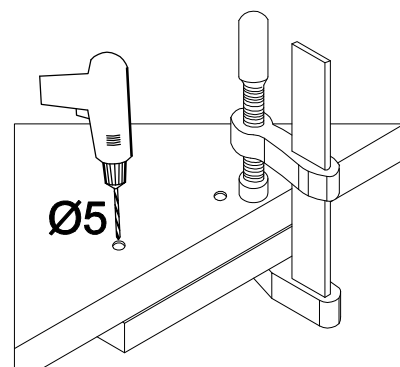
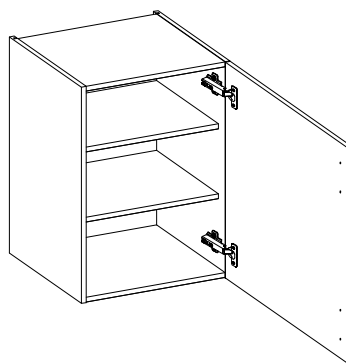
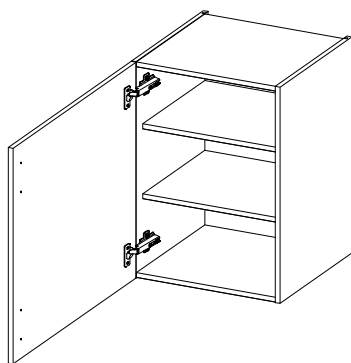
## RIGHT





KUH.70778

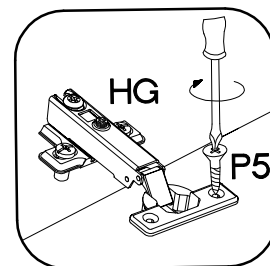
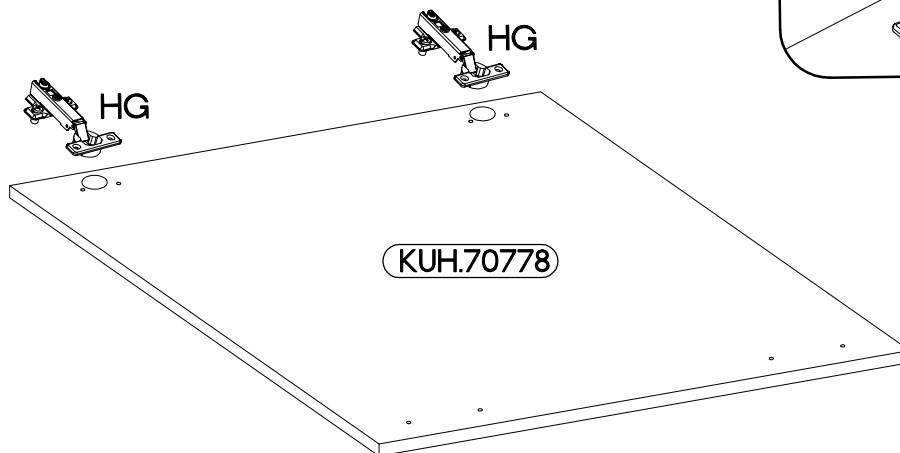


KUH.70778



# 5

 HG 2	 P5 4
--	--



6

M4x22mm



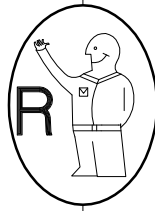
U

2

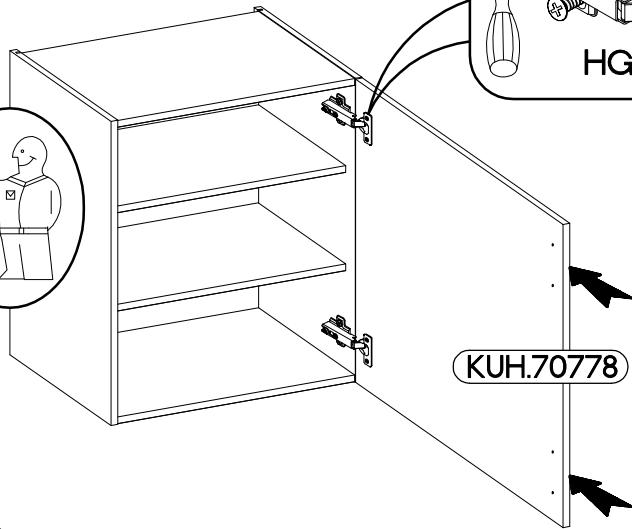


S

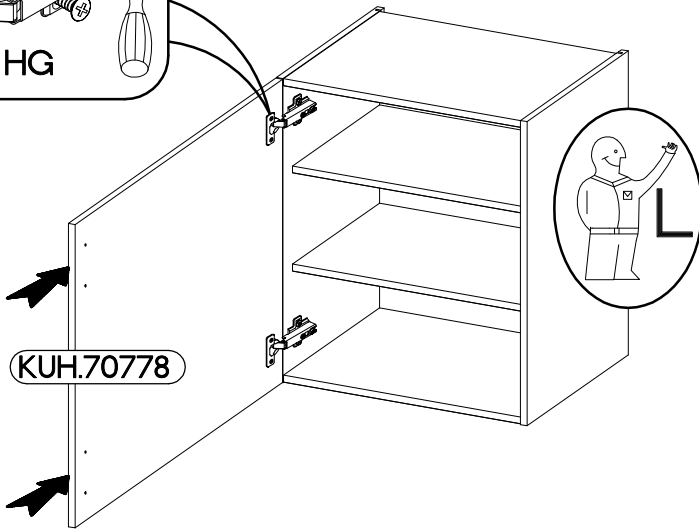
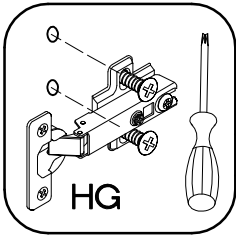
1



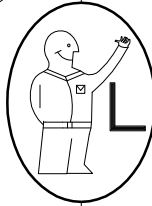
R



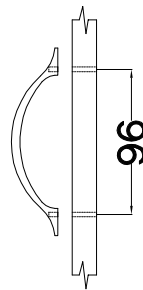
KUH.70778



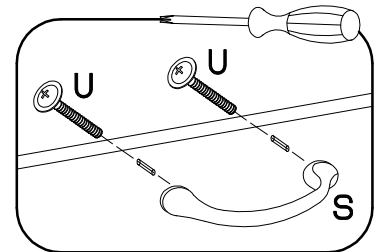
KUH.70778



L

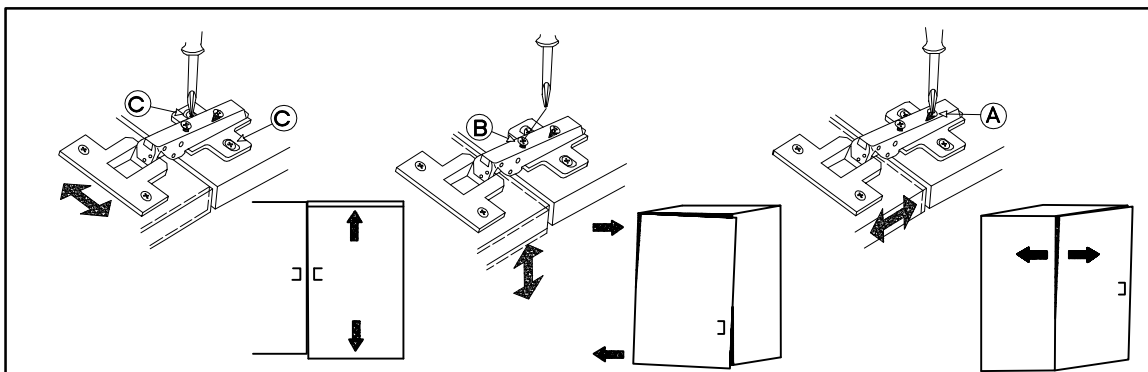


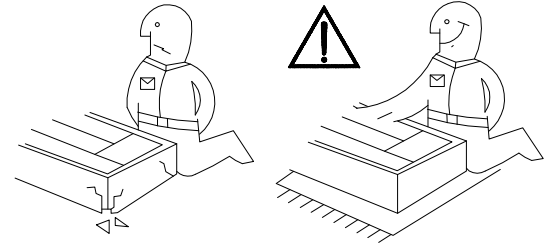
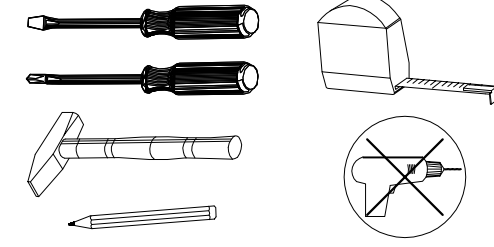
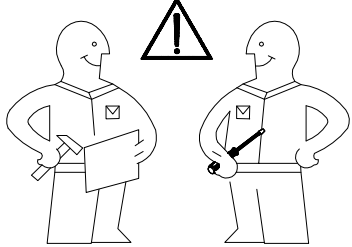
96



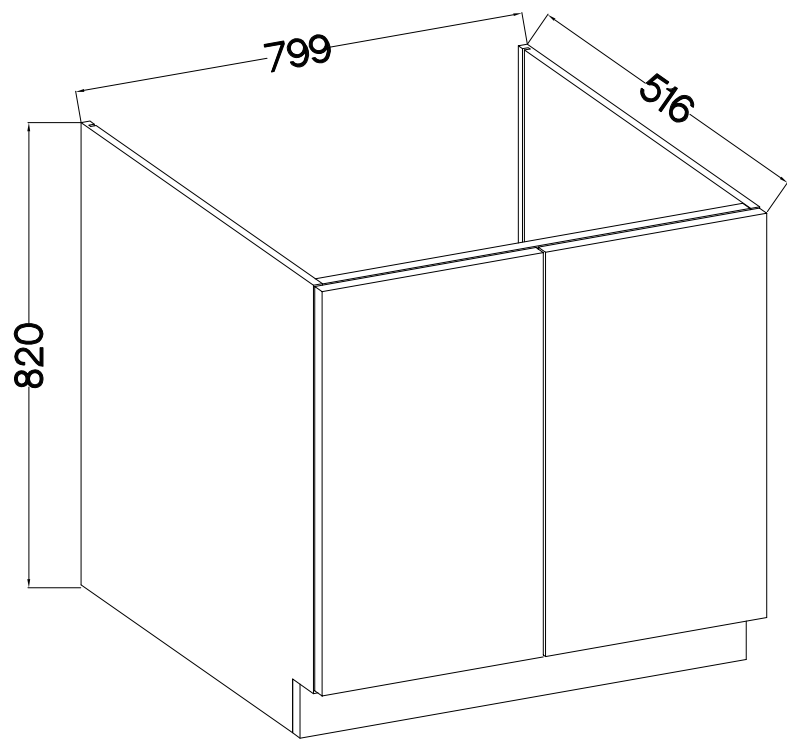
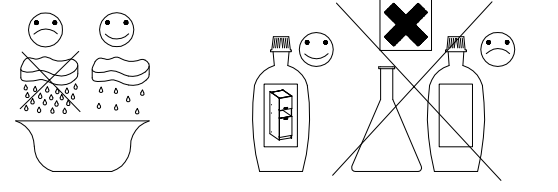
U

S

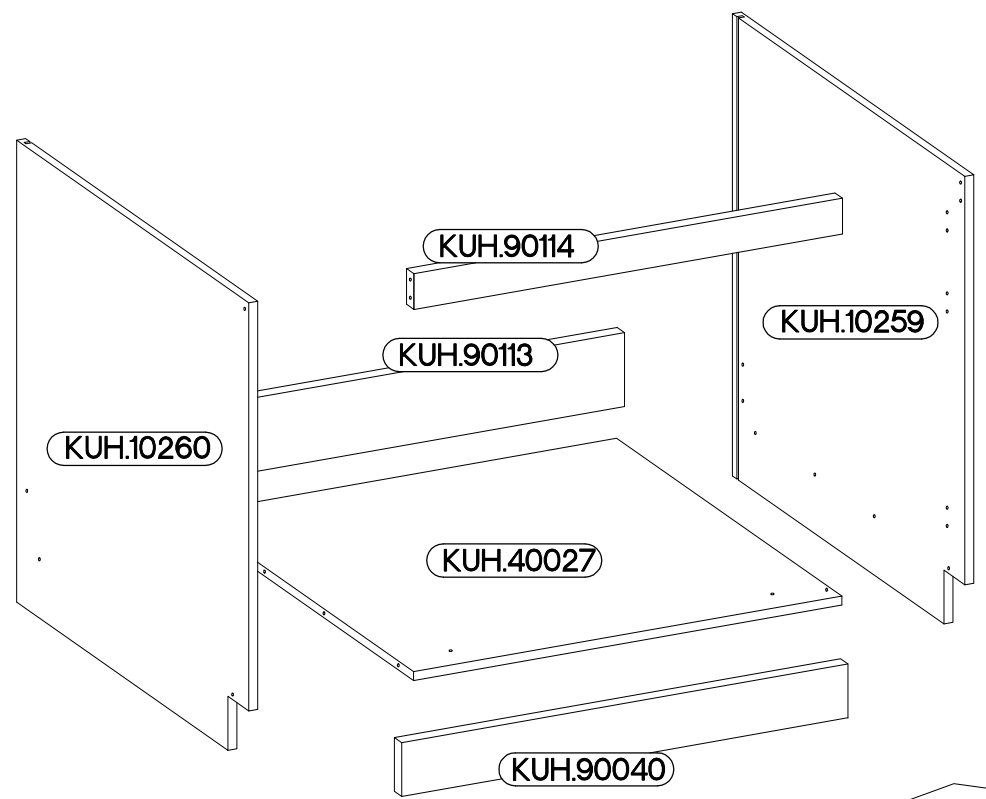
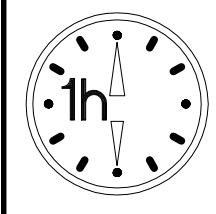




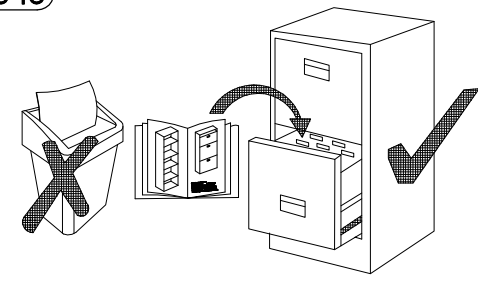
80 ZL 2F BB



max. 10kg  
KUH.40027

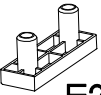
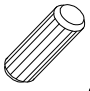


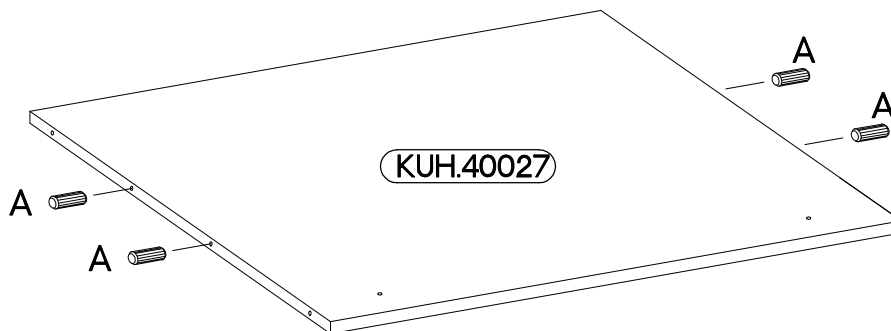
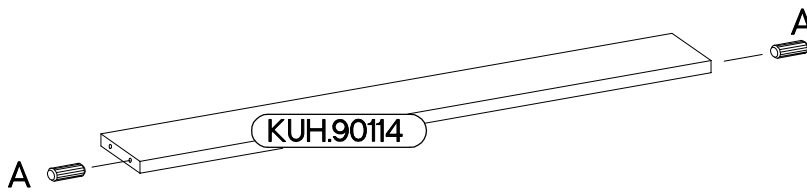
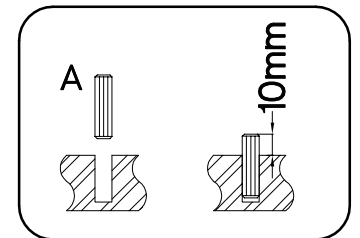
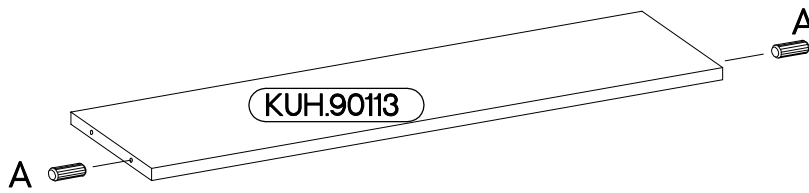
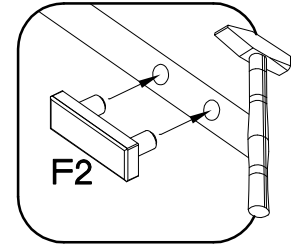
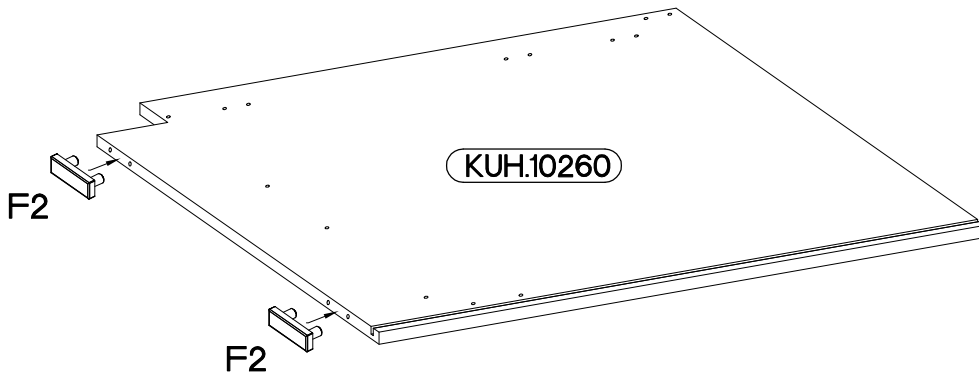
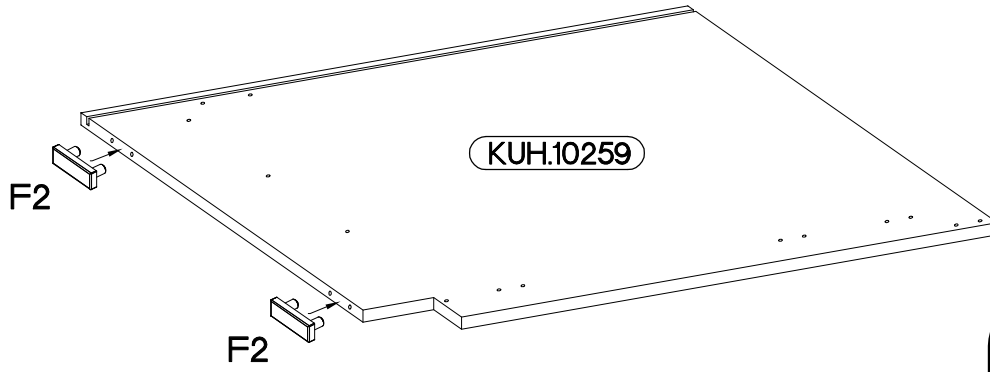
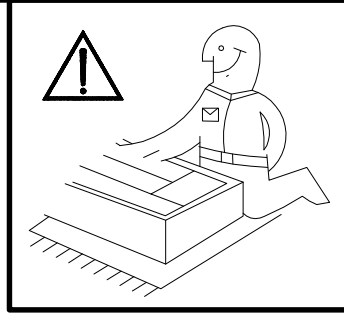
+8x30mm  A 8	6,4 x 50mm  B 8	 E1 8
 E9 2	6.5x48x16  F2 4	+35/0mm  HG 4
 O 1	+4.0x45mm  P4 2	+3.5x13mm  P5 8



ISM-KUH-01144

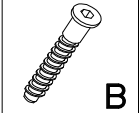
1

6.5x48x16  F2 4	+8x30mm  A 8
--	---



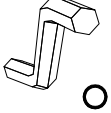
2

6,4 x 50mm



B

4



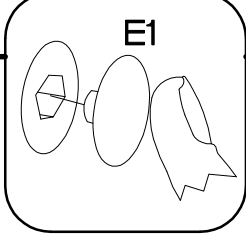
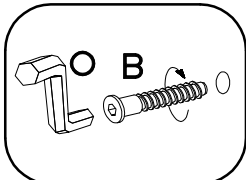
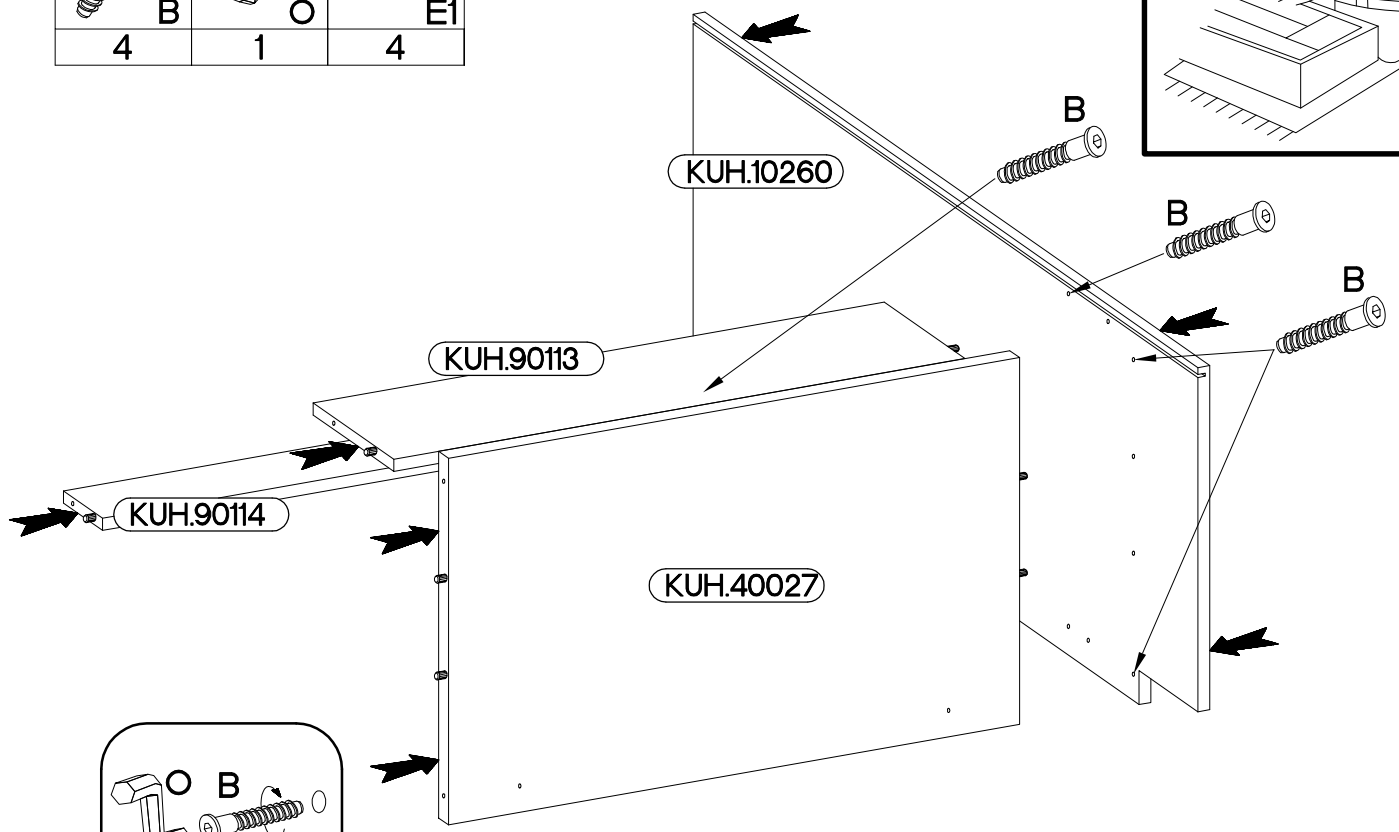
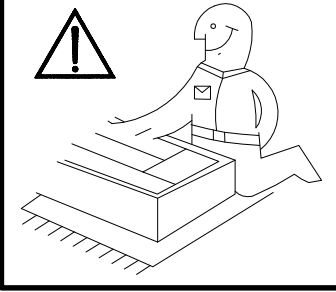
O

1

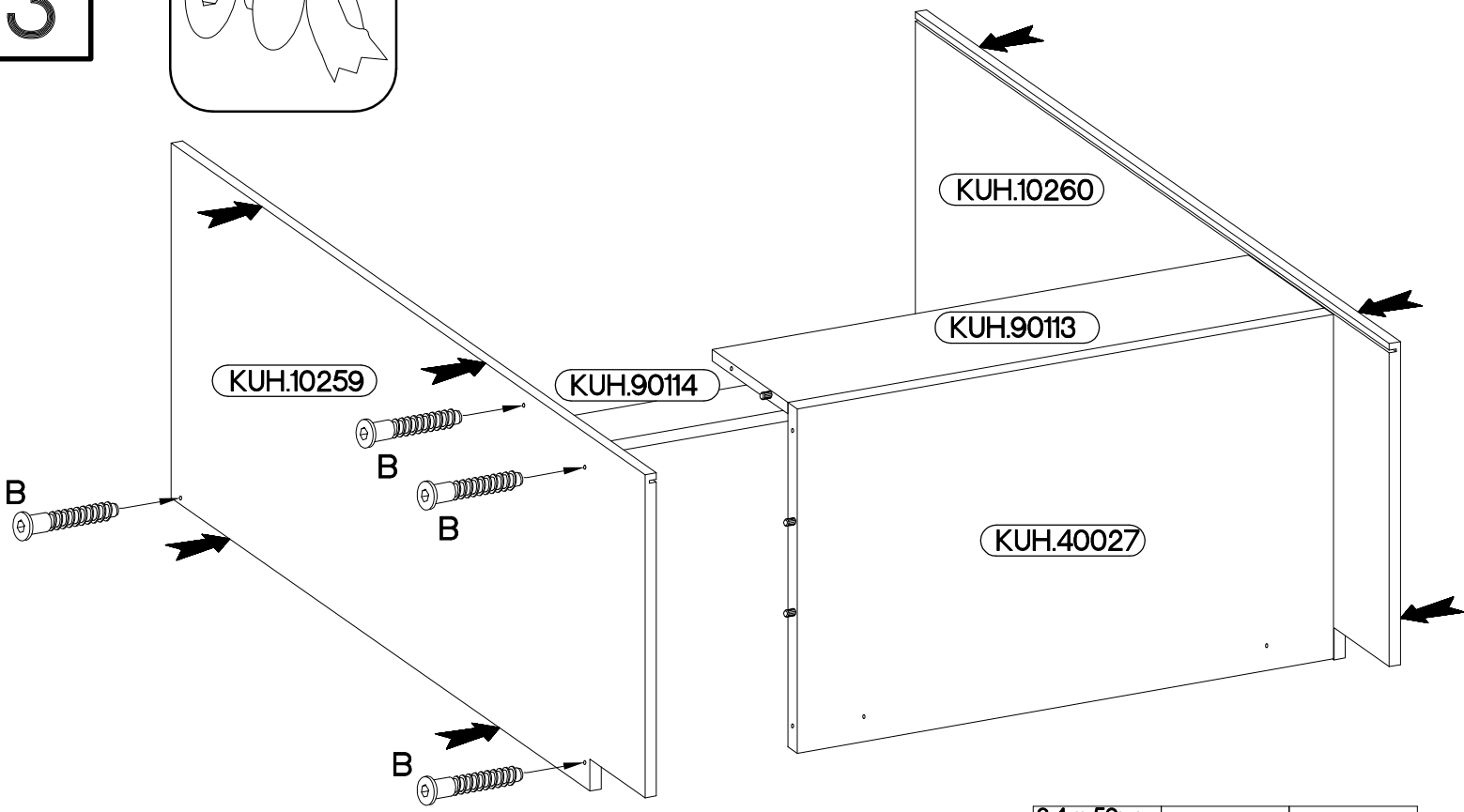


E1

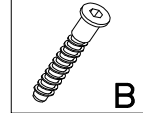
4



3

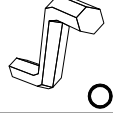


6,4 x 50mm



B

4



O

1



E1

4

4

4.0x45mm



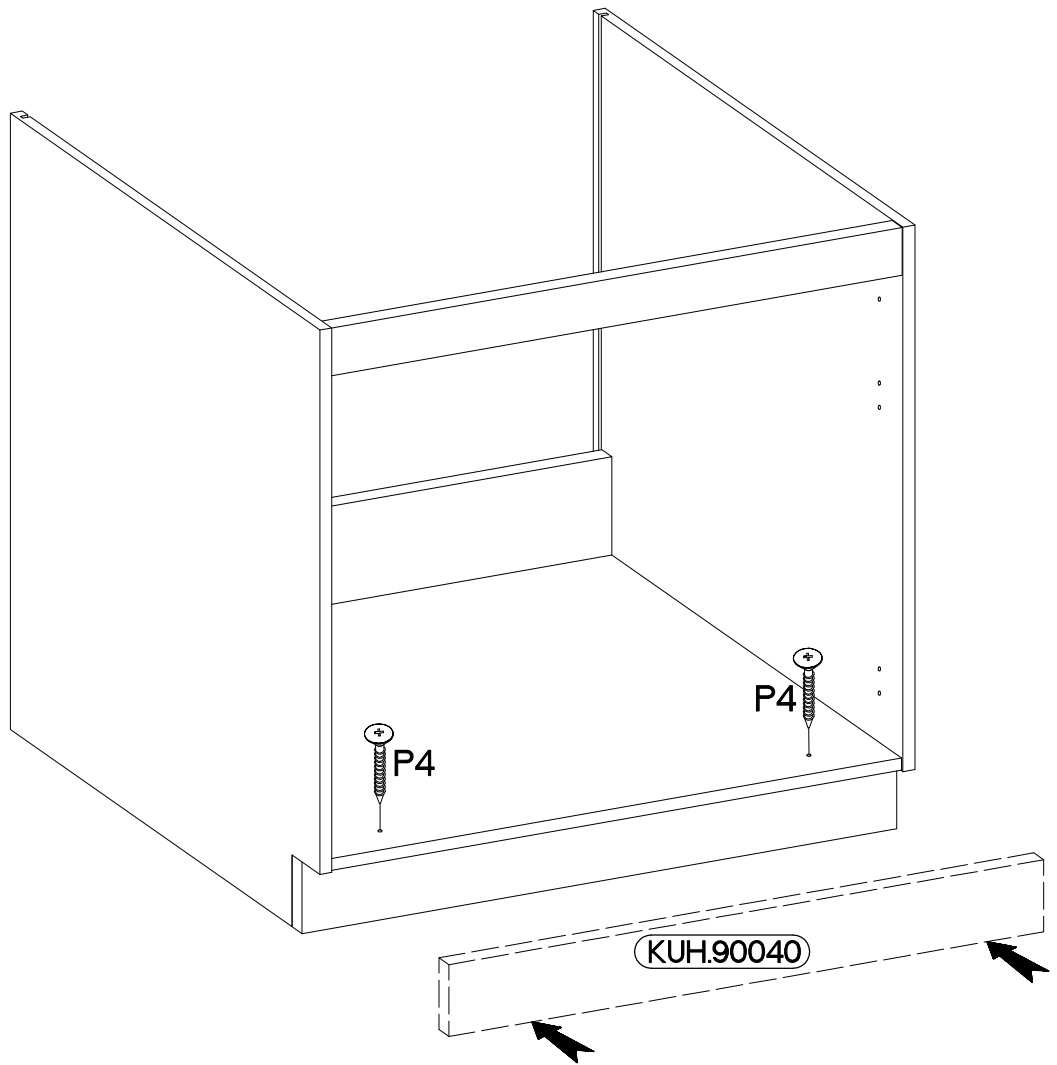
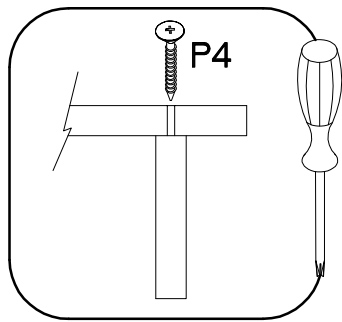
P4

2



E9

2



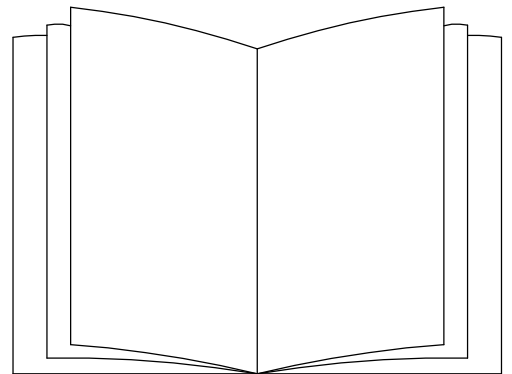
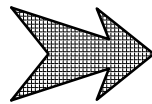
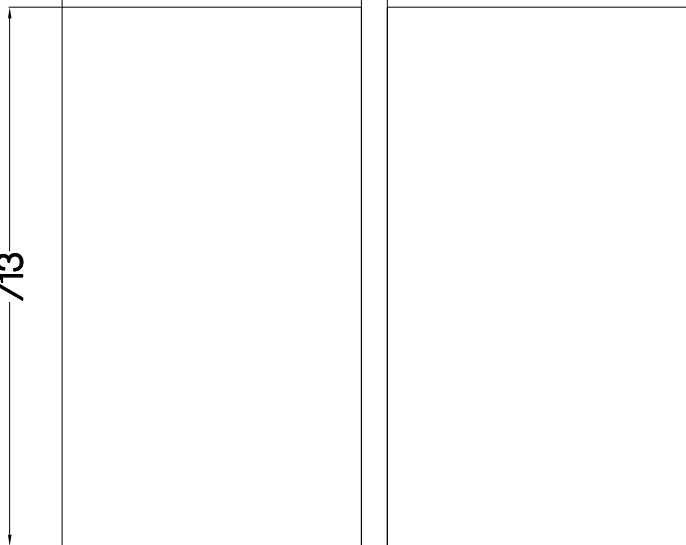
5

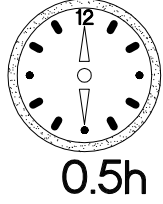
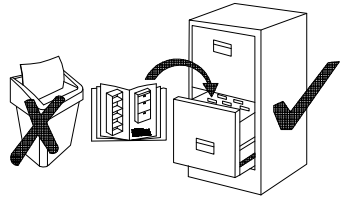
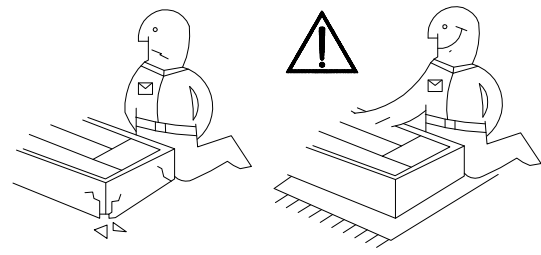
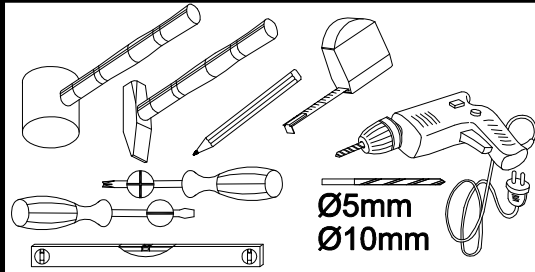
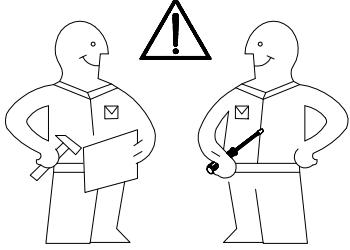
FRONT

396

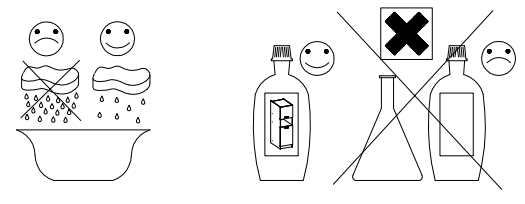
396

713

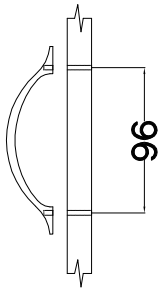
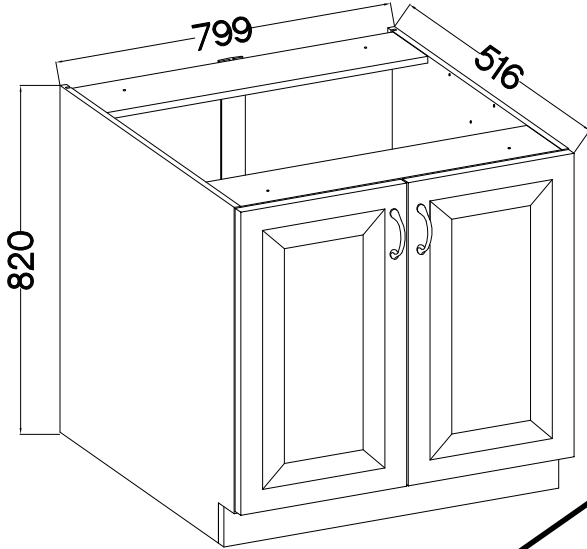




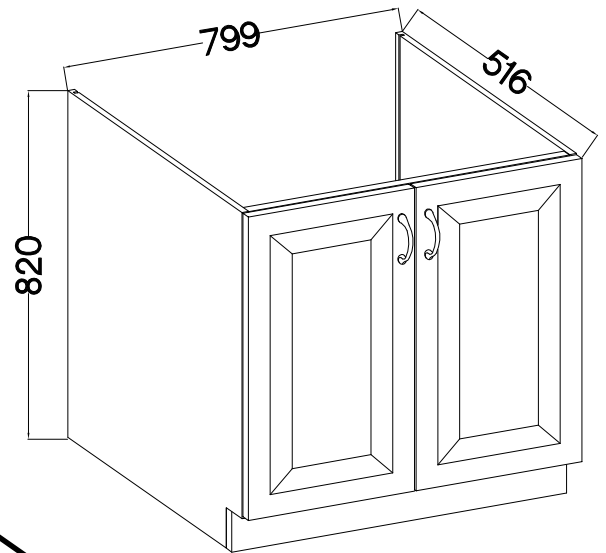
FRONT



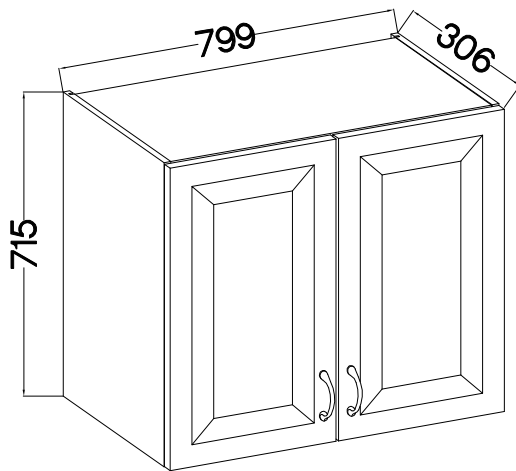
80 D 2F BB



80 ZL 2F BB

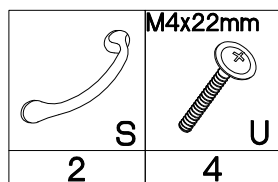


80 G-72 2F



KUH.70769

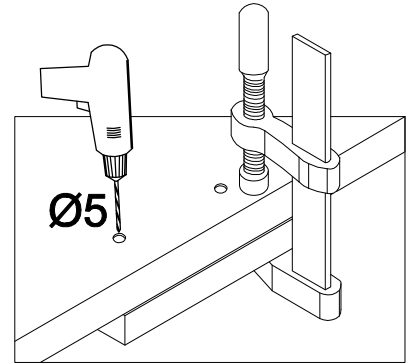
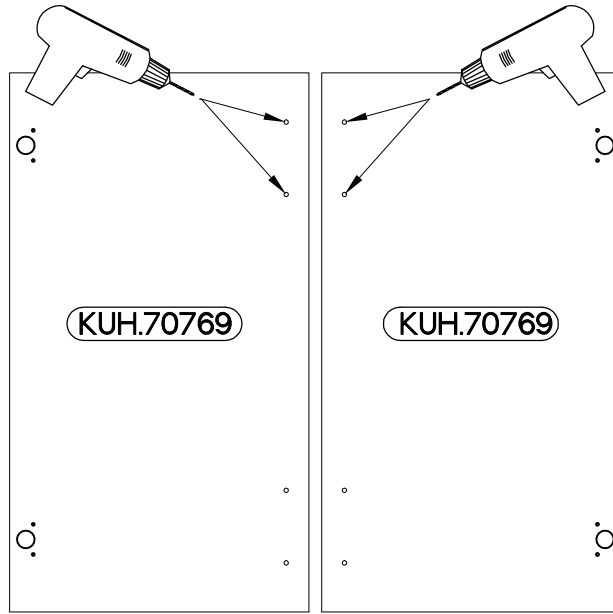
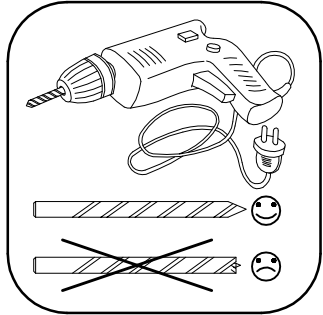
KUH.70769





ISM-KUH-01203

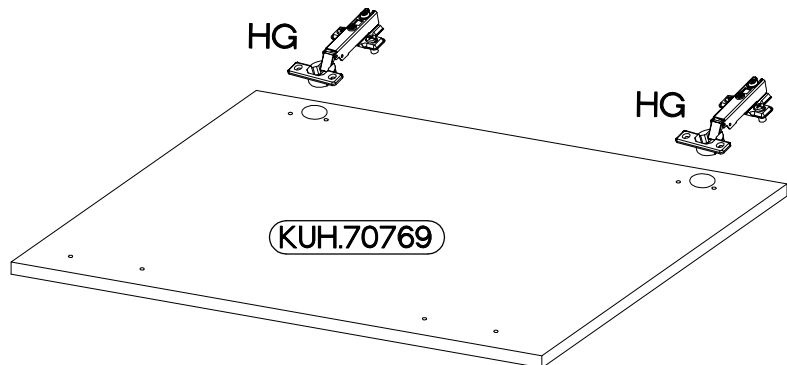
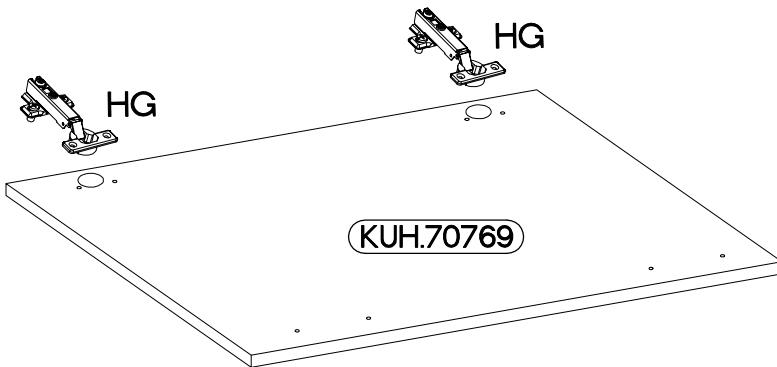
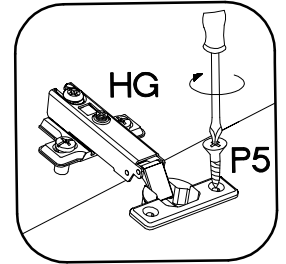
1

80 D 2F BB



2

$\pm 35/0\text{mm}$	$\pm 3.5 \times 13\text{mm}$
	
HG	P5
4	8



3

M4x22mm



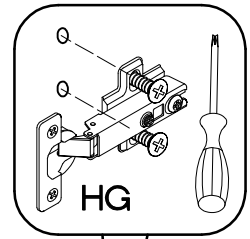
U

4

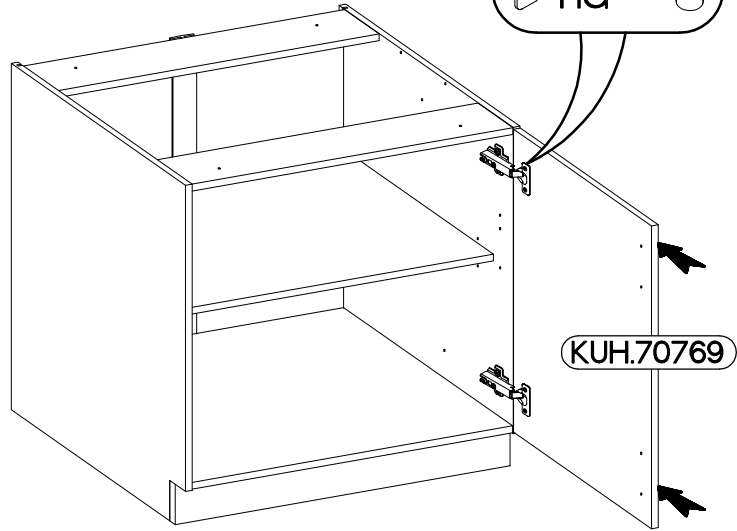


S

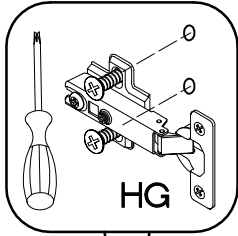
2



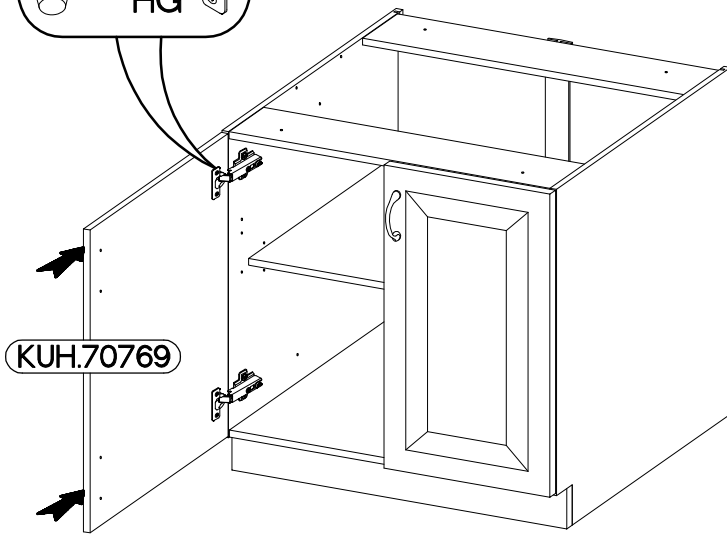
HG



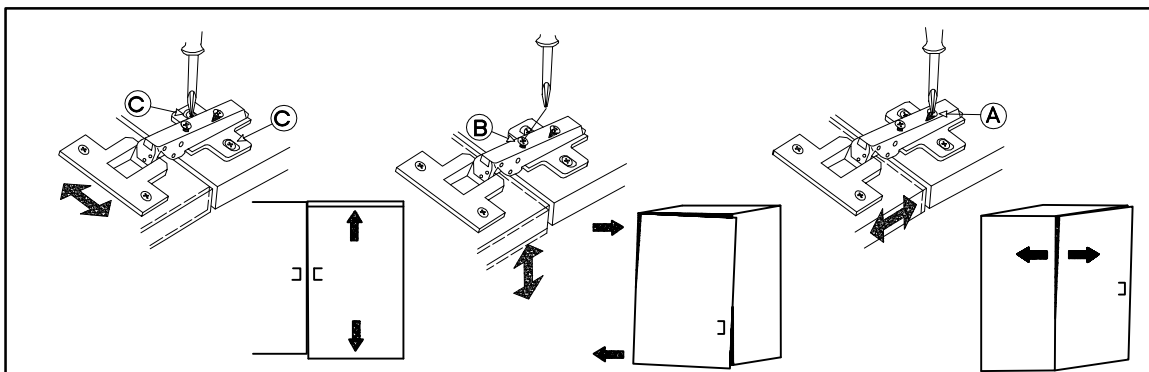
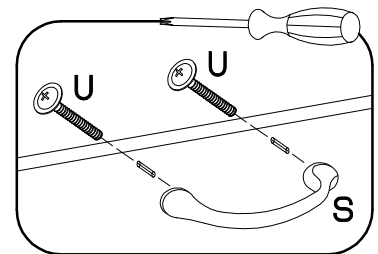
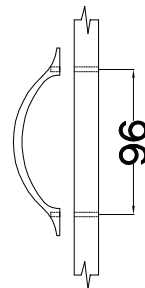
KUH.70769



HG

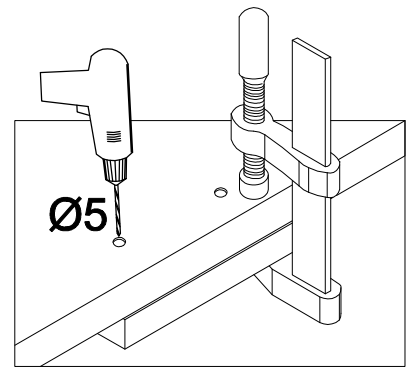
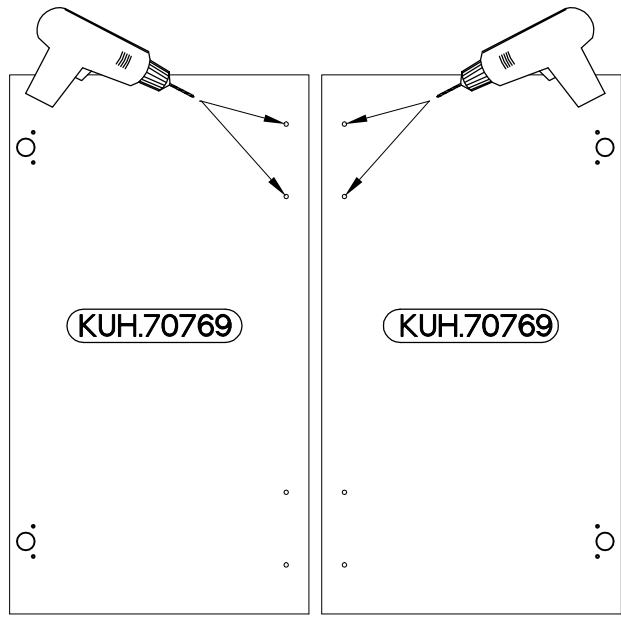
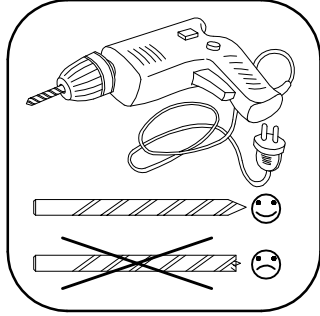


KUH.70769





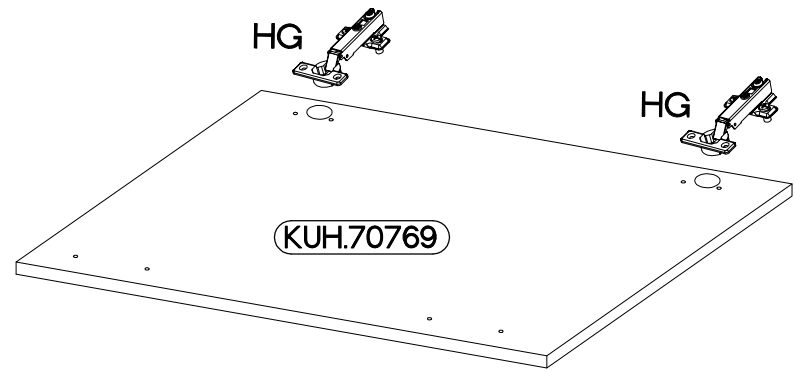
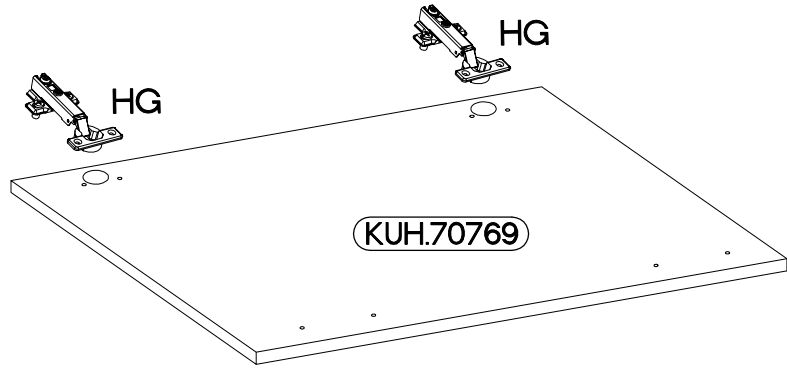
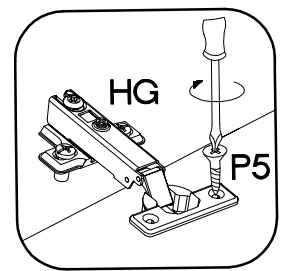
4

80 ZL 2F BB



5

 HG 4	 P5 8
---	---



M4x22mm



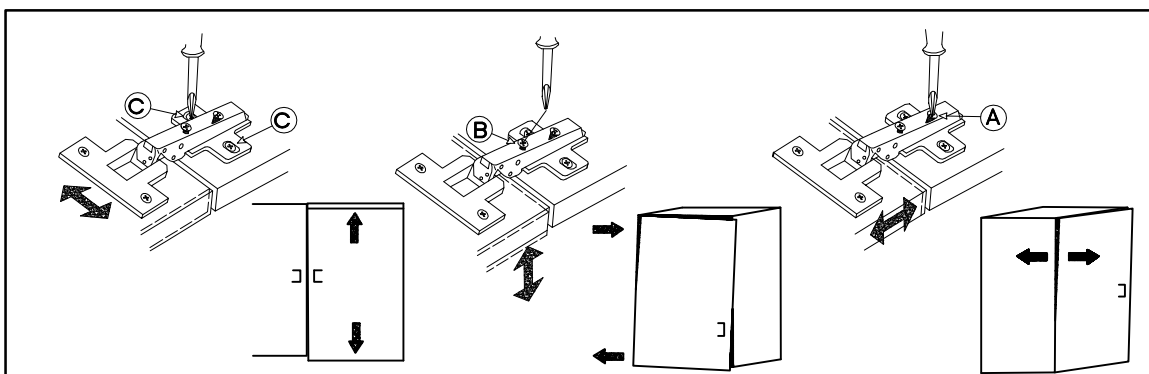
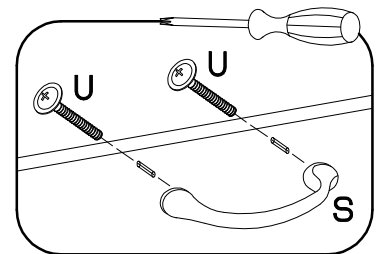
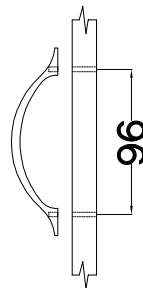
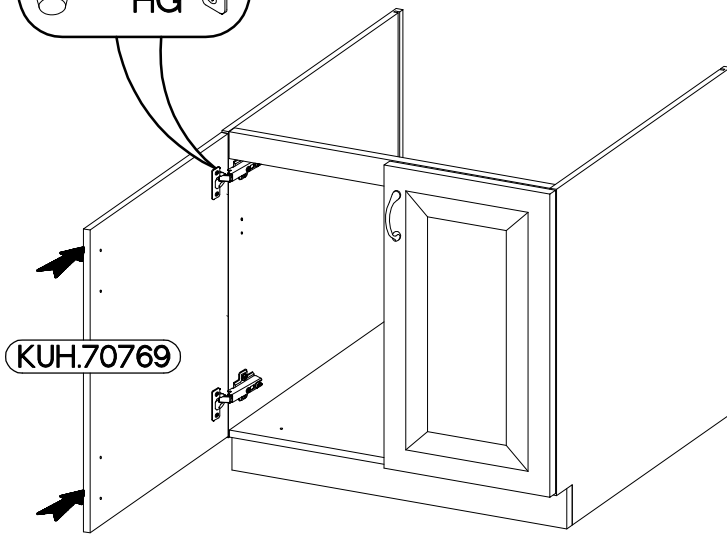
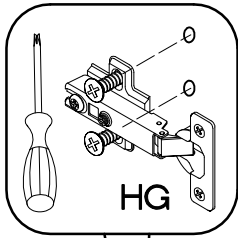
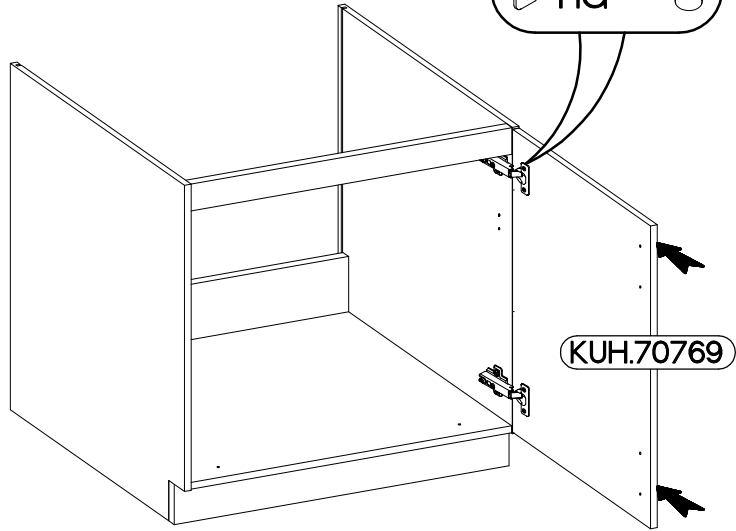
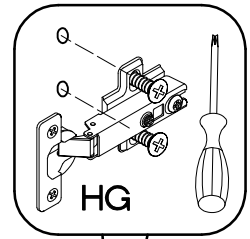
U

4



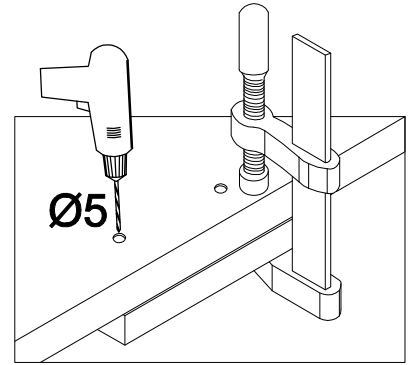
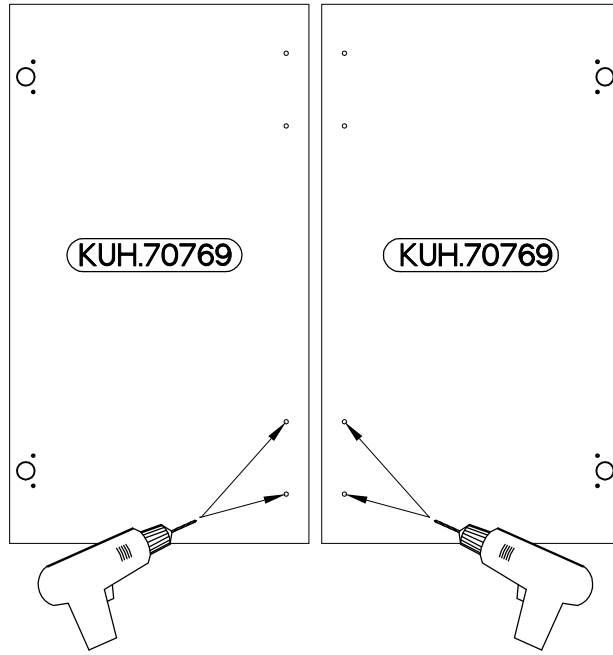
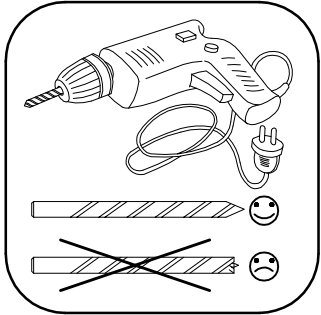
S

2





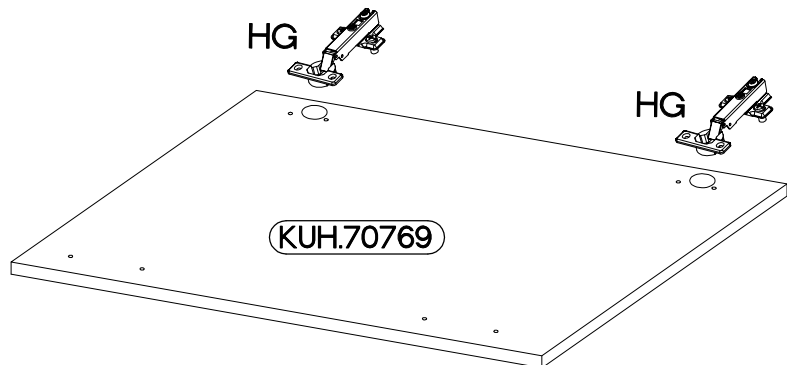
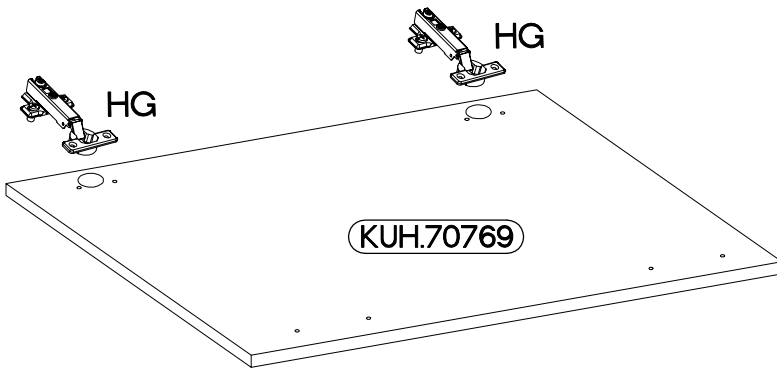
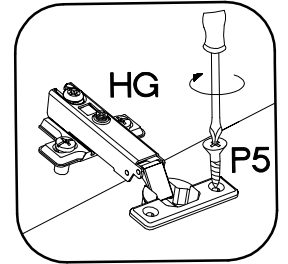
7

80 G-72 2F



8

$\pm 35/0\text{mm}$	$\pm 3.5 \times 13\text{mm}$
	
HG	P5
4	8



M4x22mm



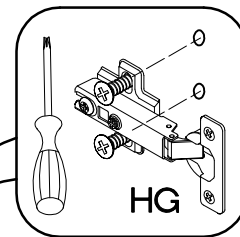
U

4

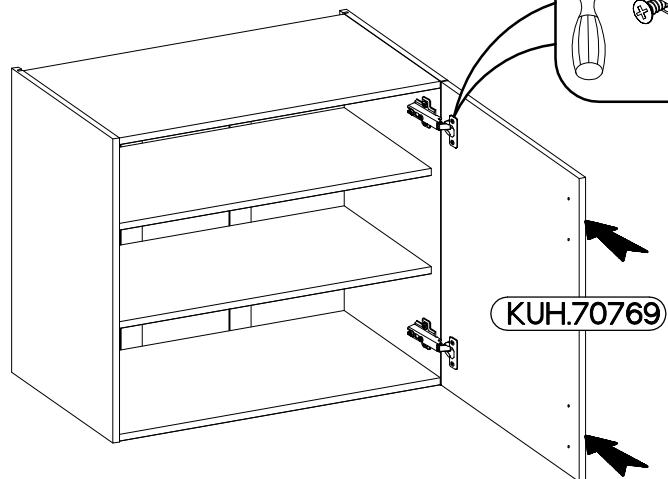


S

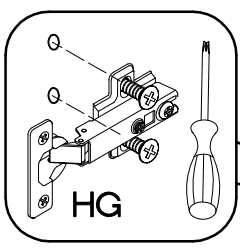
2



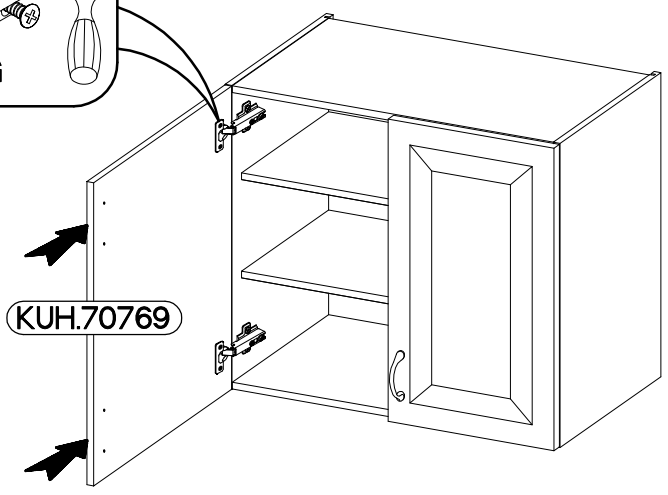
HG



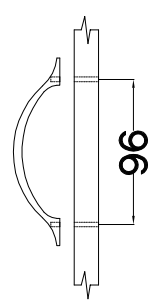
KUH.70769



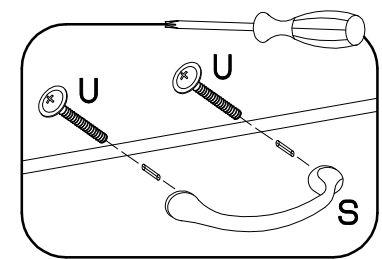
HG



KUH.70769

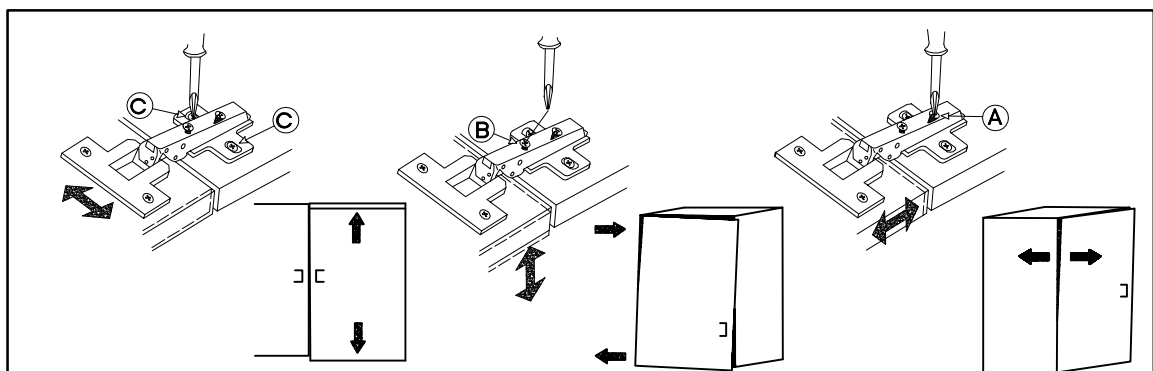


96

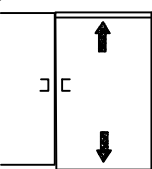


U

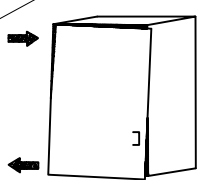
S



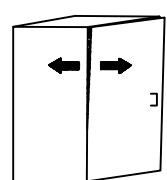
C

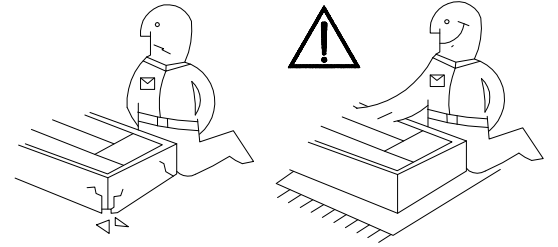
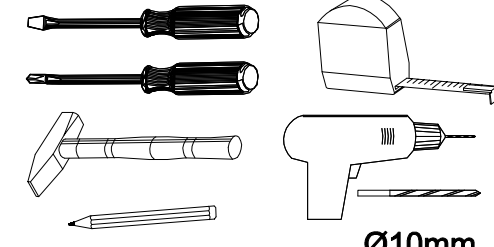
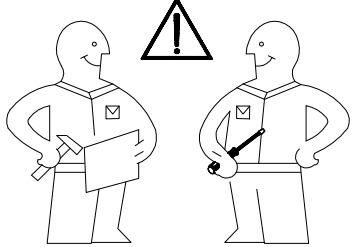


B

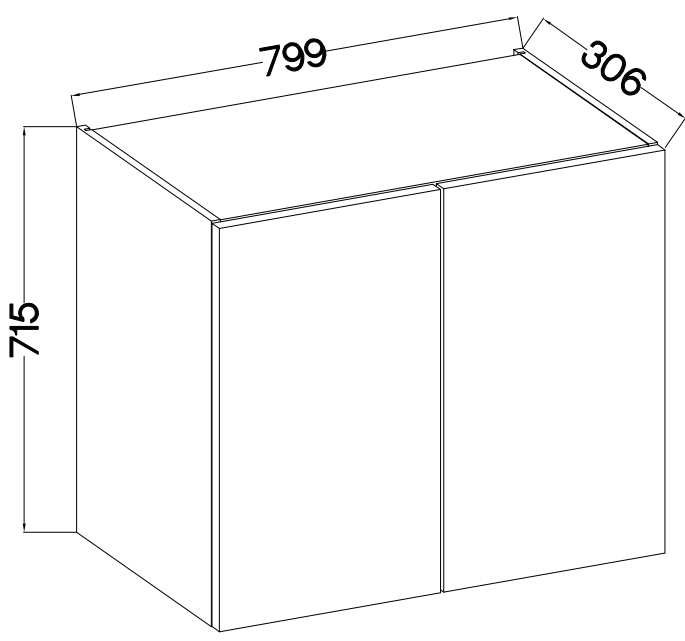
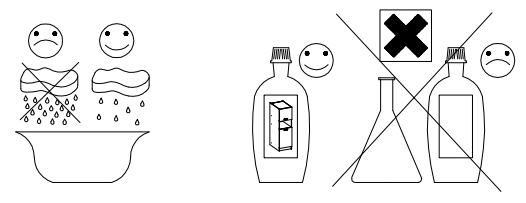


A

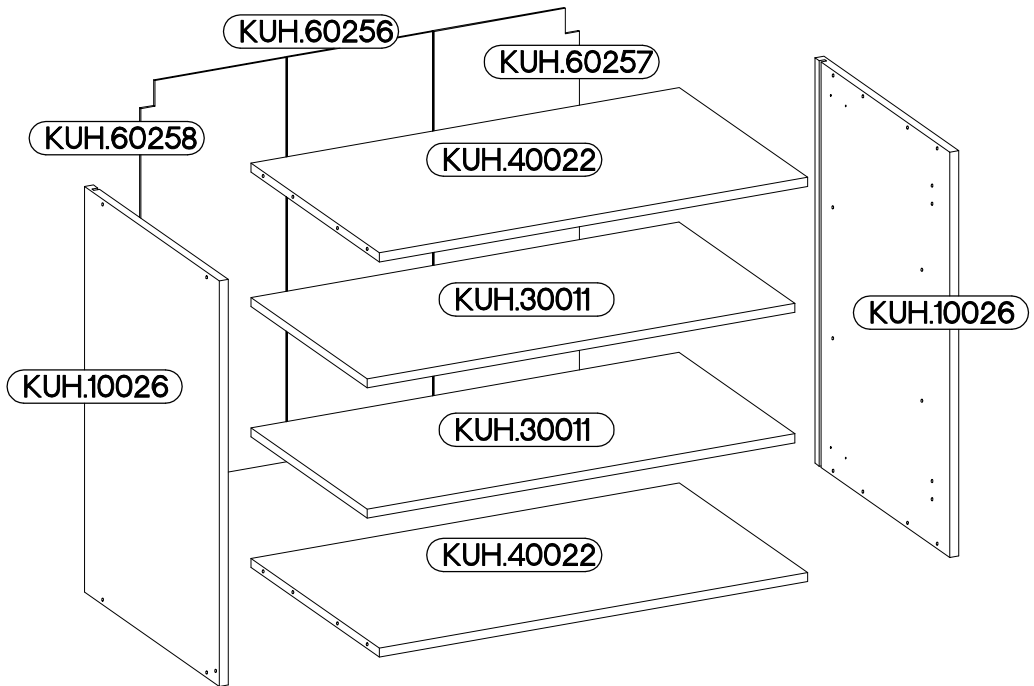
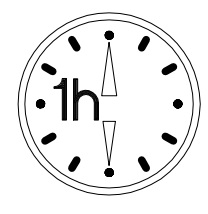




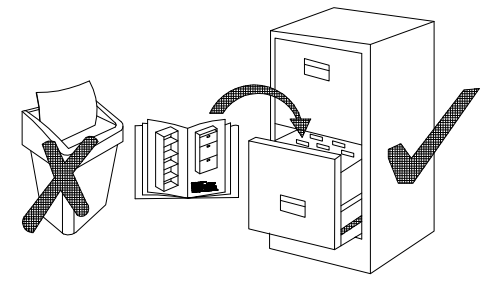
Ø10mm  
80 G-72 2F



max. 5kg  
KUH.30011  
KUH.40022

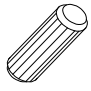
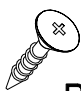
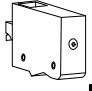


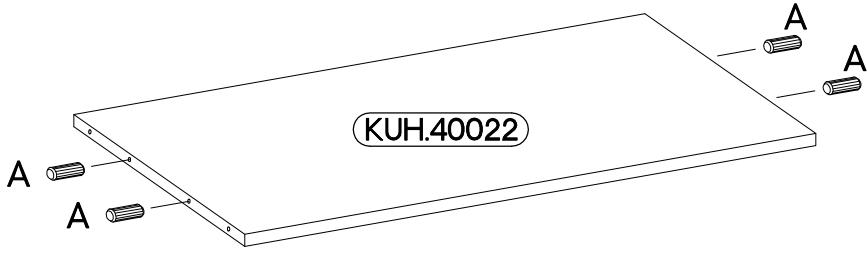
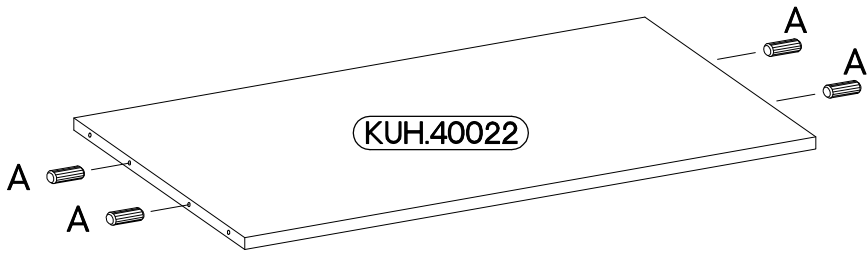
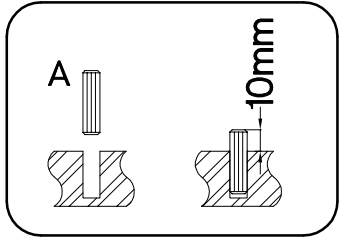
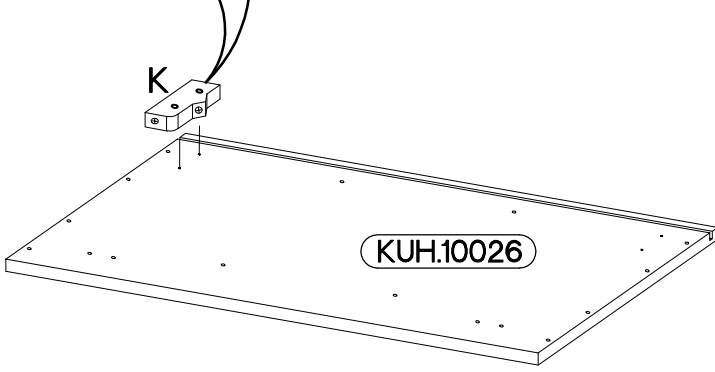
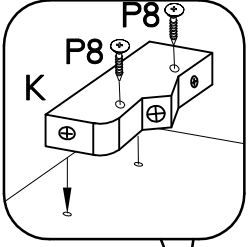
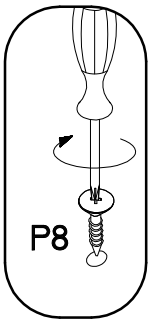
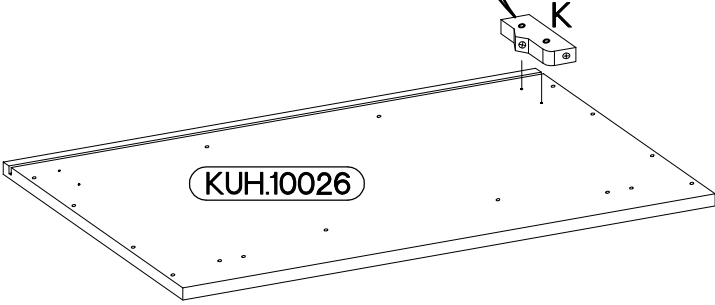
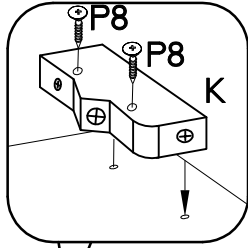
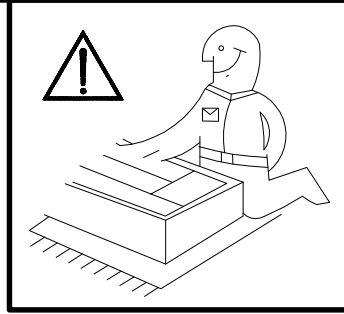
+8x30mm  A 8	6,4 x 50mm  B 8	 E1 8	+35/0mm  HG 4			
+5/19mm  J 8	 K 2	L1=680mm  L1 2	 O 1	+3.5x13mm  P5 8	+3.0x20mm  P7 15-20	+4.0x30mm  P8 4



ISM-KUH-01145

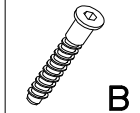
1

 +8x30mm A	 +4.0x30mm P8	 K
8	4	2



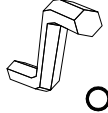
2

6,4 x 50mm



B

4



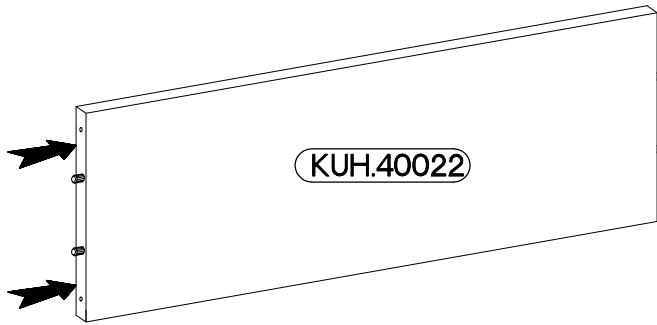
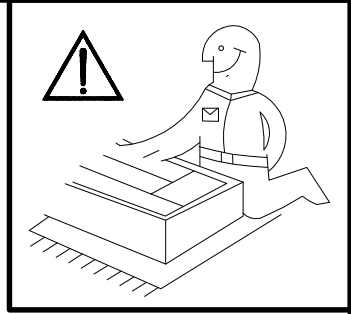
O

1

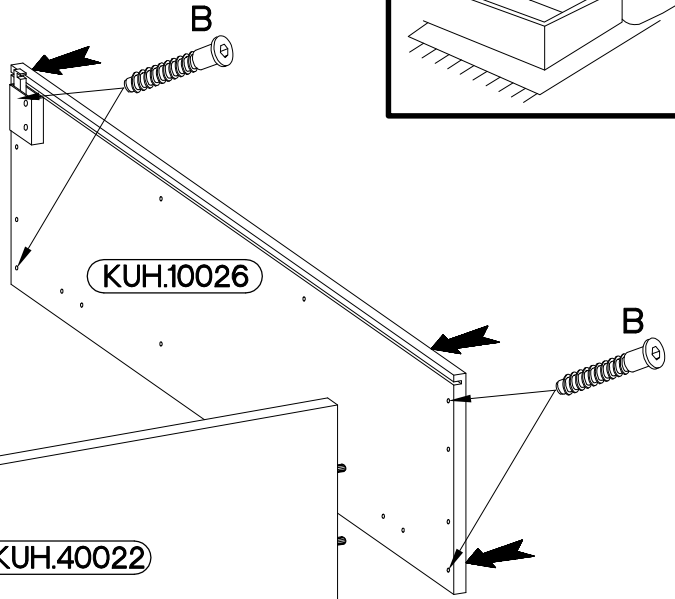


E1

4

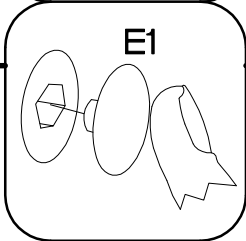
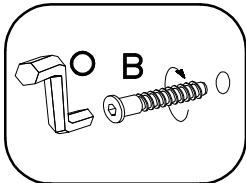


KUH.40022

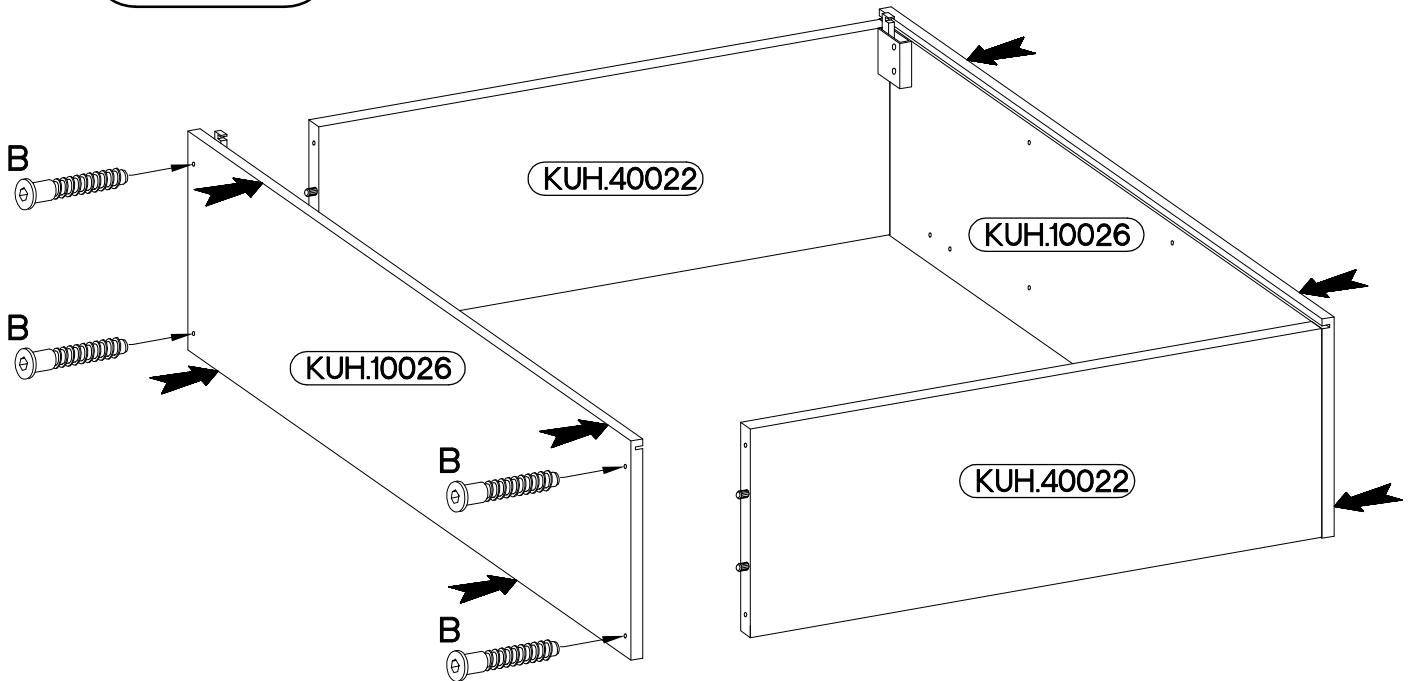


KUH.10026

KUH.40022



3



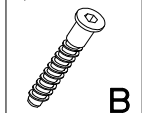
KUH.40022

KUH.10026

KUH.10026

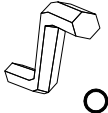
KUH.40022

6,4 x 50mm



B

4



O

1

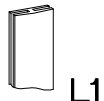


E1

4

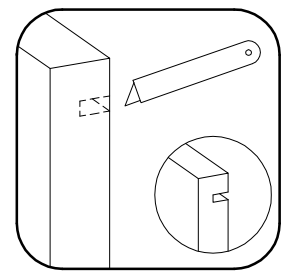
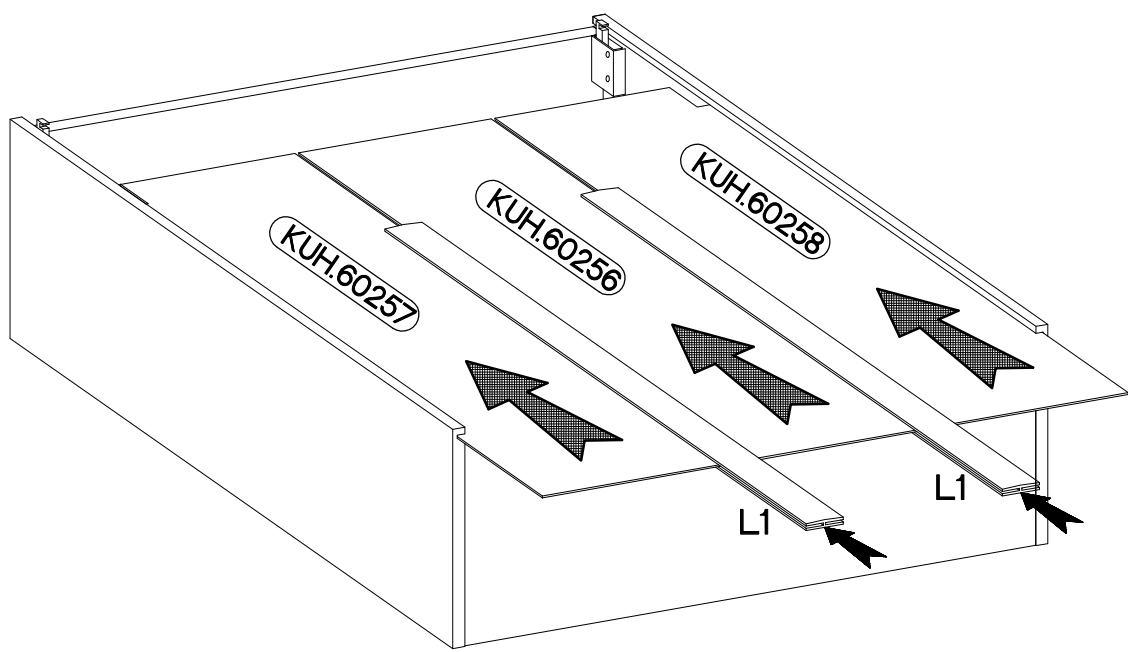
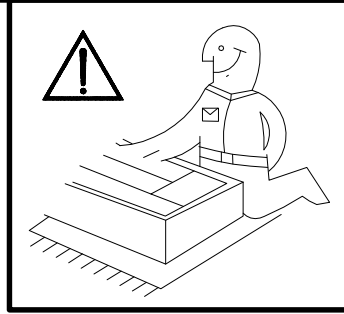
4

L1=680mm




L1

2



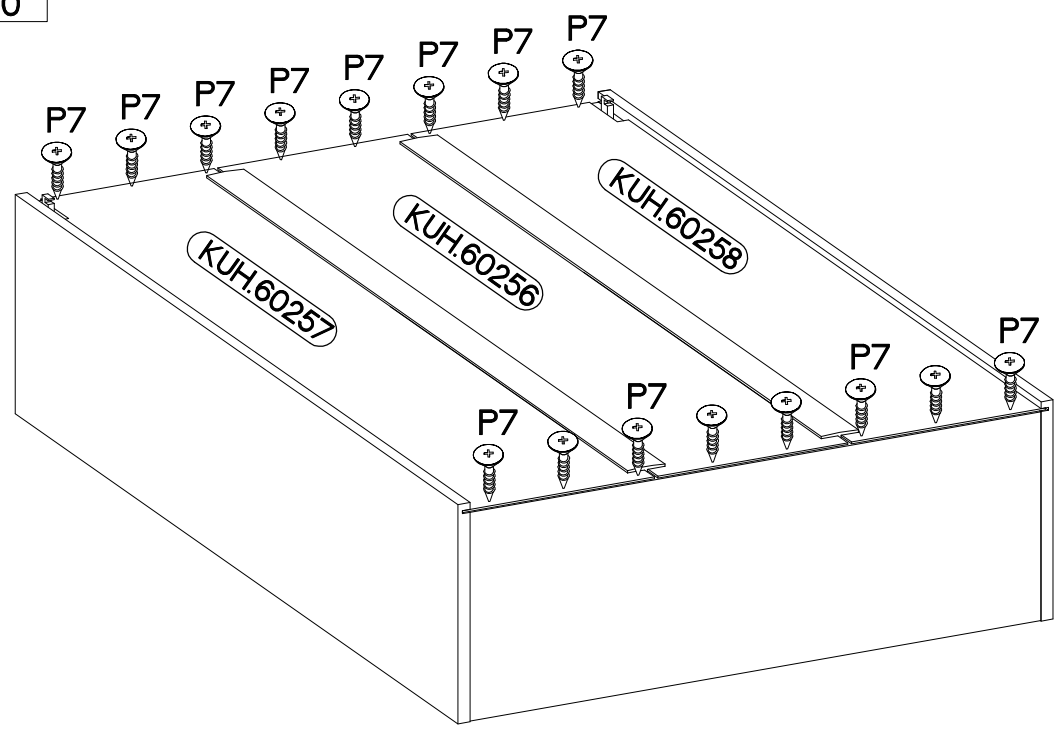
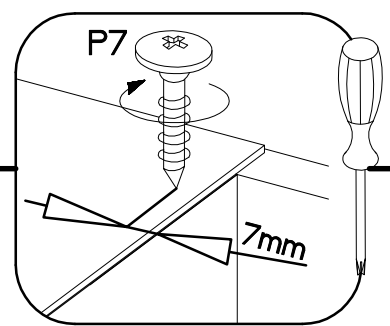
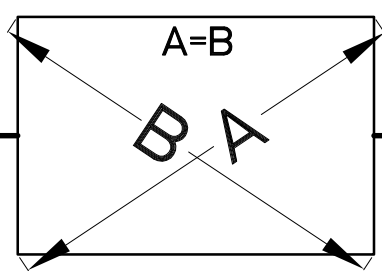
5

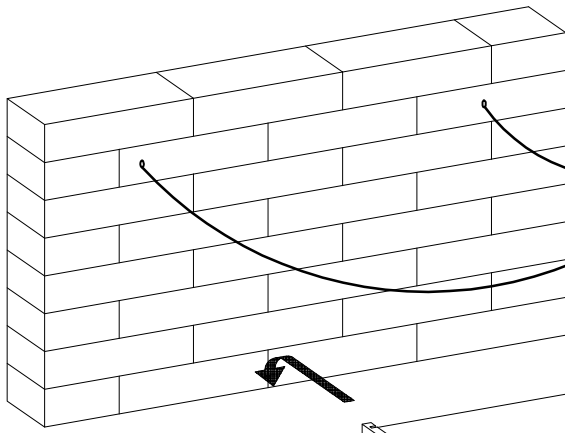
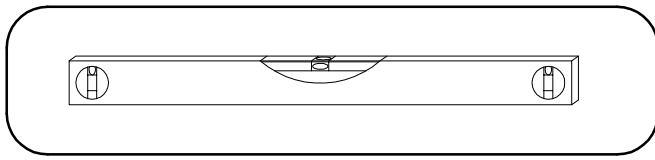
±3.0x20mm



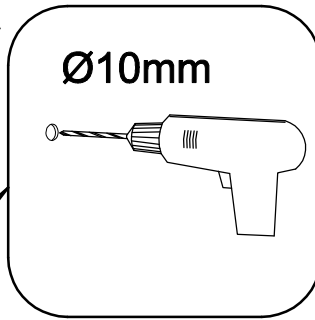
P7

15-20

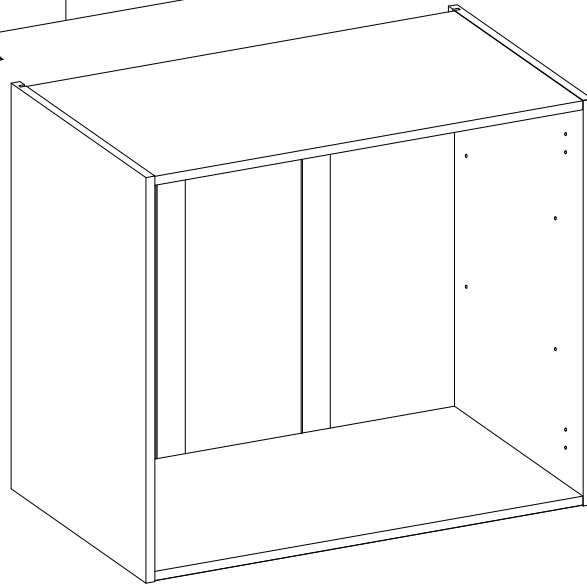




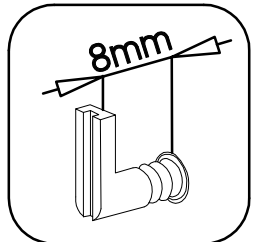
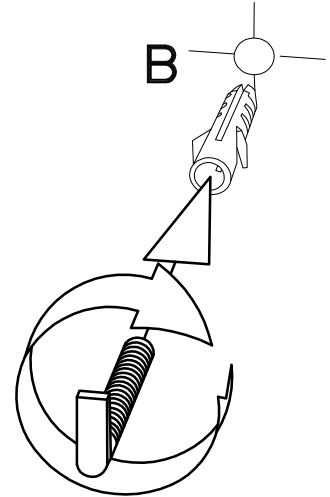
A



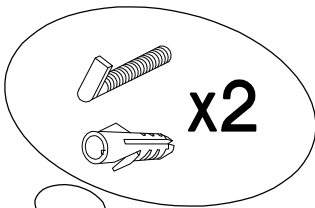
Ø10mm



B



8mm



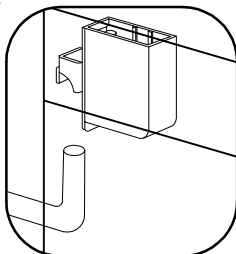
x2



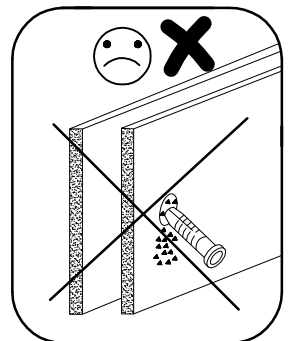
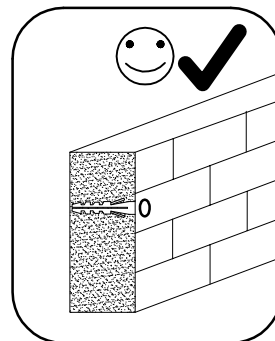
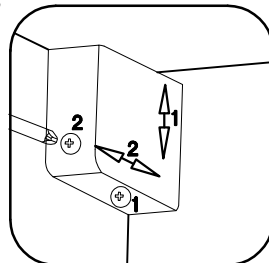
SHOP



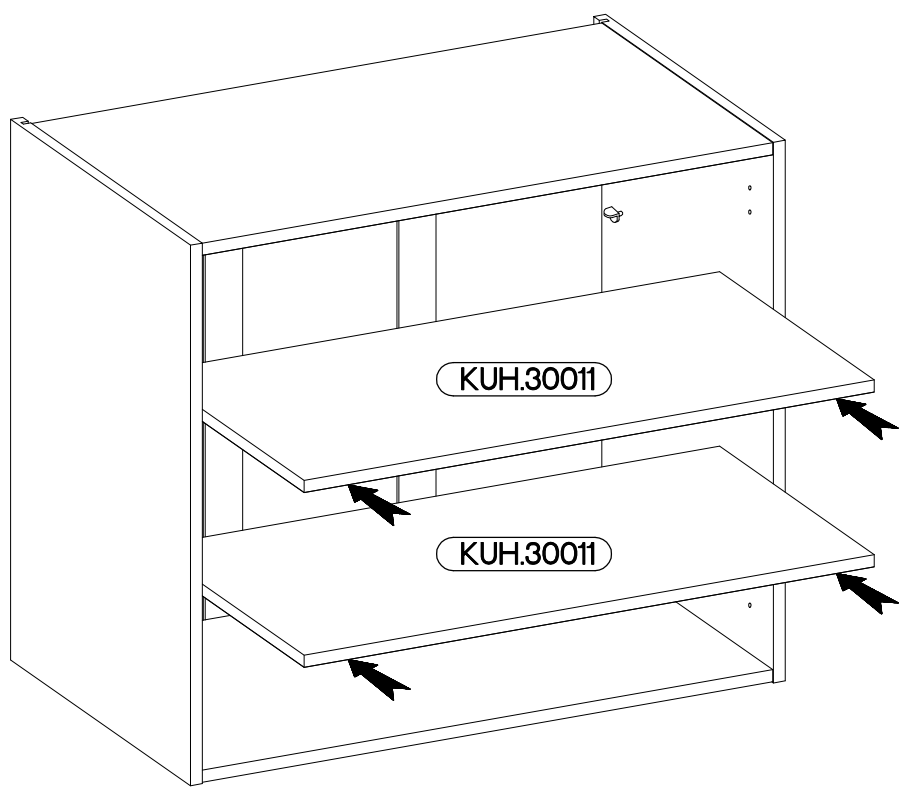
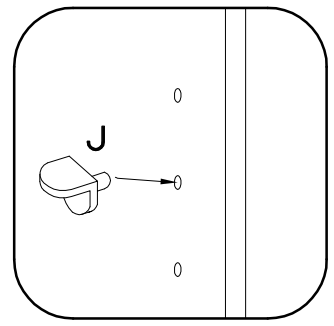
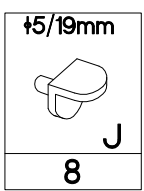
C



D



7



8

FRONT

