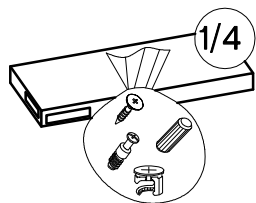
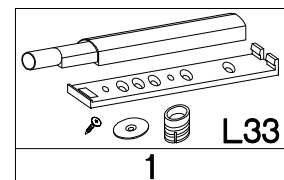
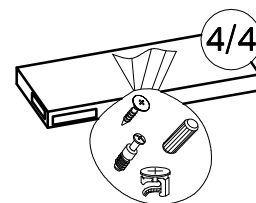
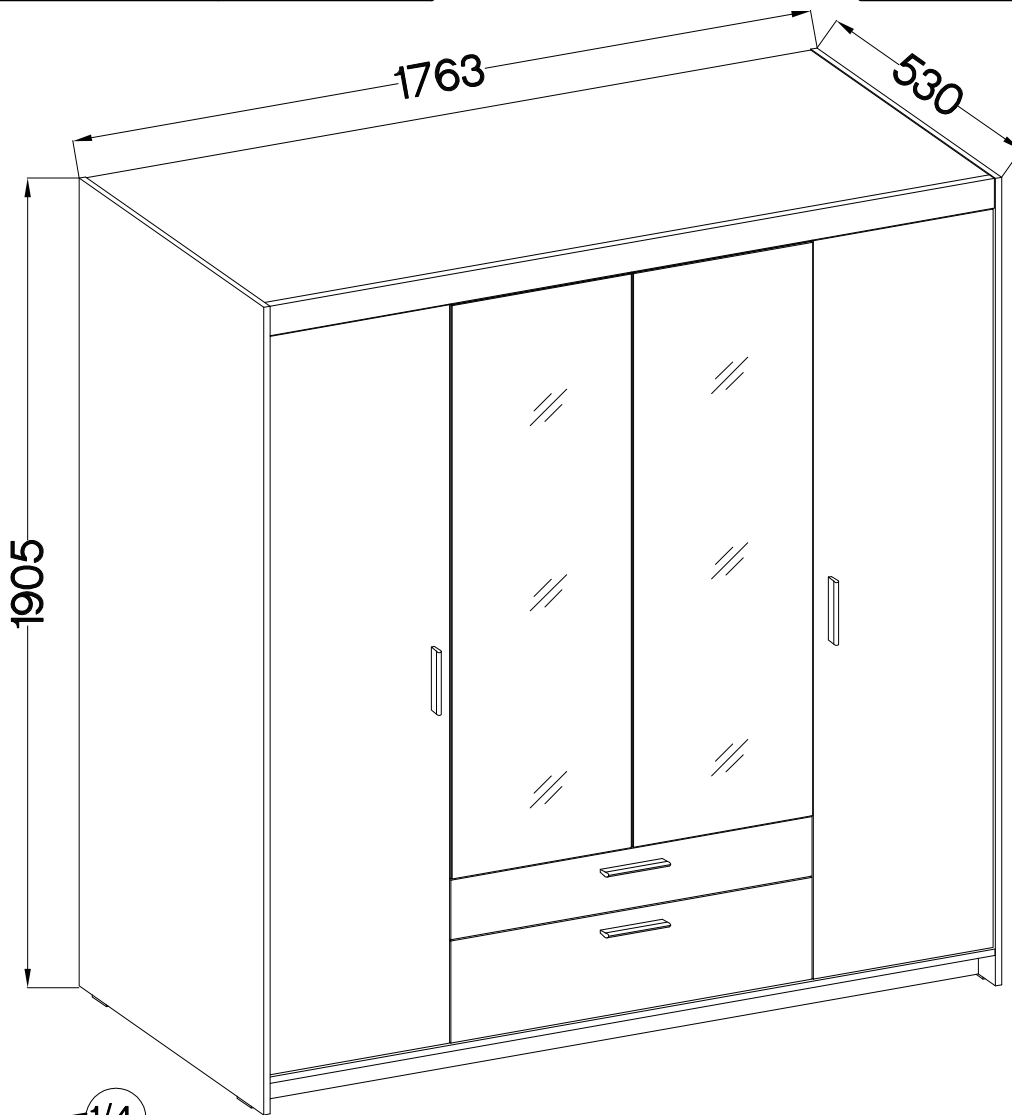
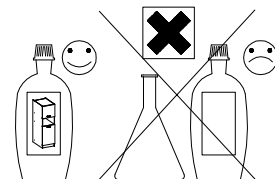


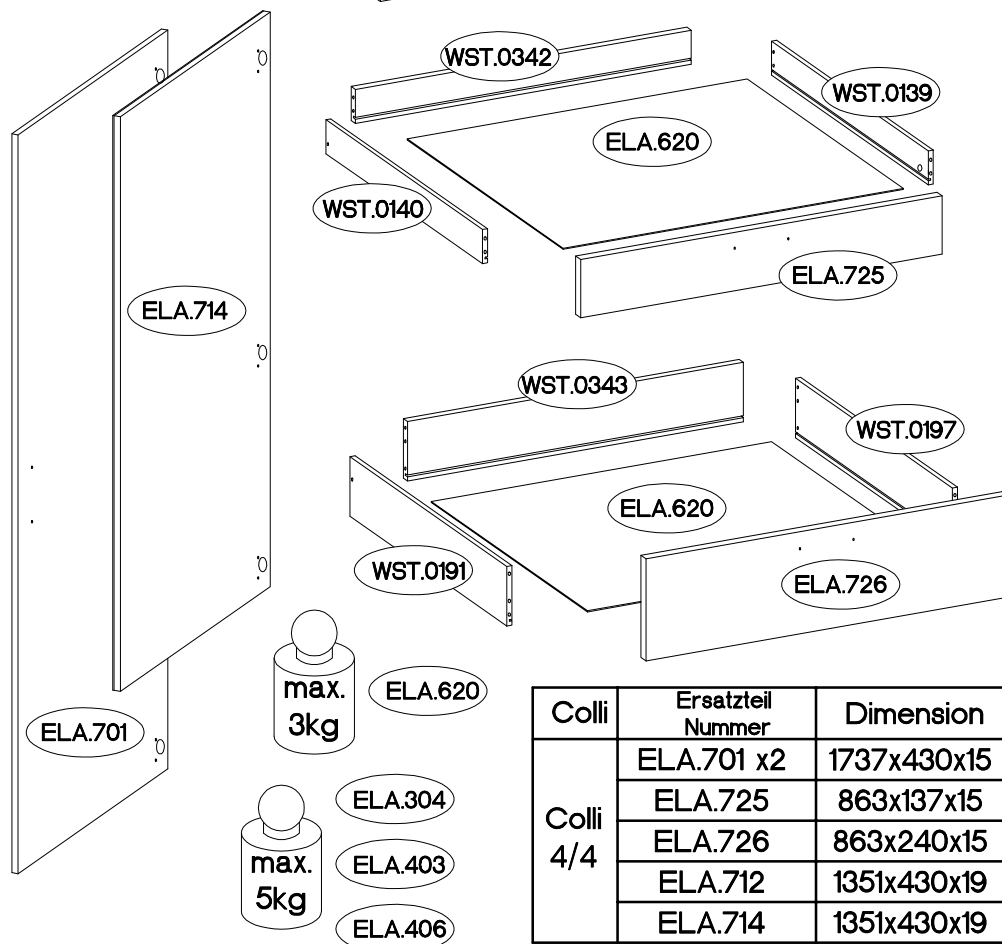
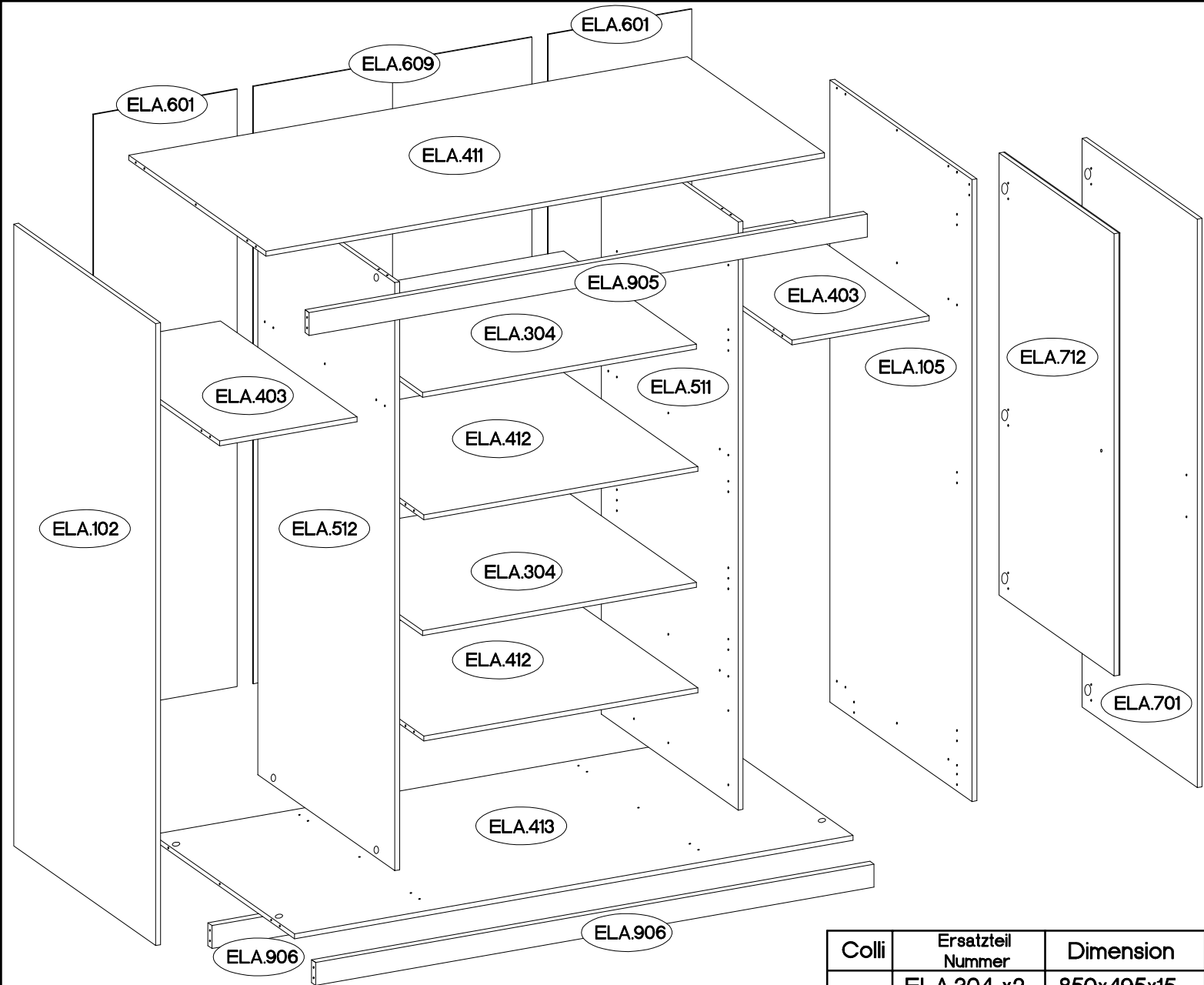
120 min

ELENA 4D 2S-L



 +8x30mm A 72	 +6x42mm B2 4	 +15/12mm C 32	 +12/10mm C5 4	 L=20mm D2 36
 E 28	 6.5x48x16 F2 4	 +15x5mm F4 4	 +35/9mm H=0 HG1 6	 +35/16mm HG2 6
 L=450mm I5 2	 L=418mm J2 2	 +5/16mm J3 8	 J17 4	 L=450 mm K34 2
 L2 24	 L19 2	 +5.0x13mm M 12	 +10x50mm O7 2	 +4.0x16mm P1 12
 +3.5x13mm P5 50	 +3.0x20mm P7 95-100	 +5.0x60mm P12 2	 +4.0x30mm R2 8	 L=128mm S 4
			 T3 6	

P-ISM-ELA-20






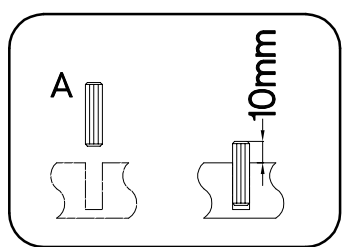
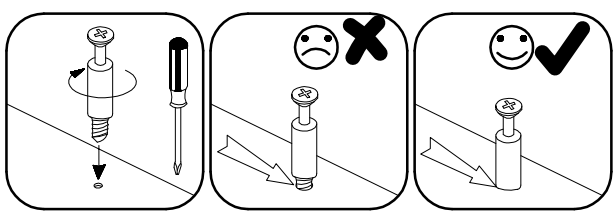
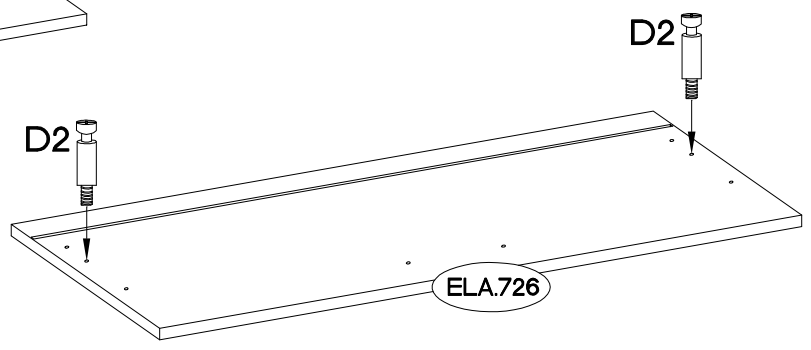
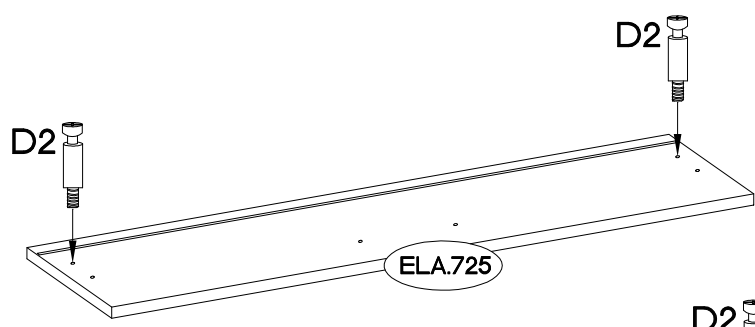
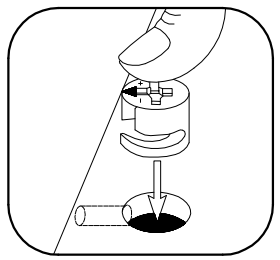
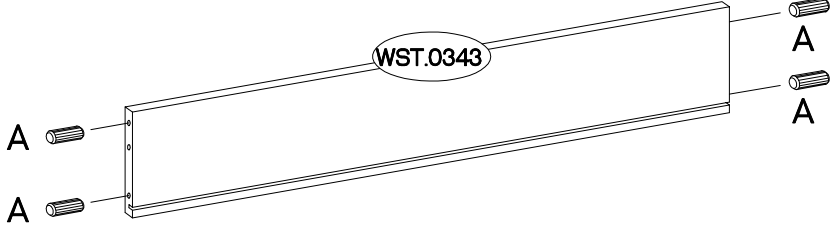
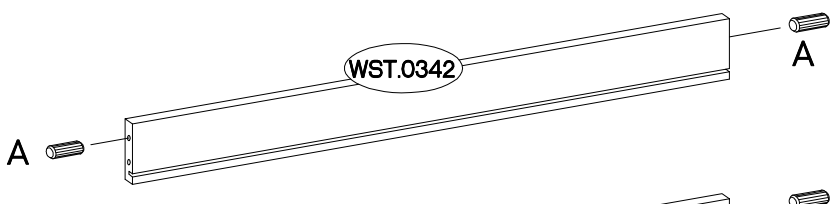
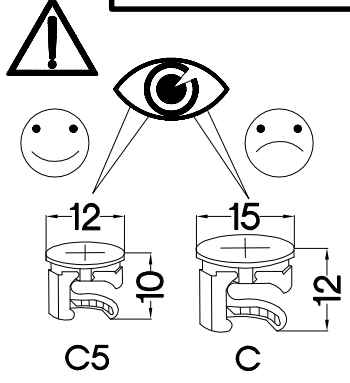
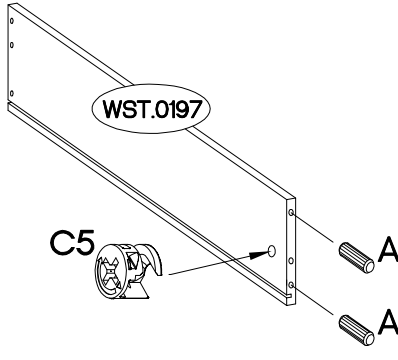
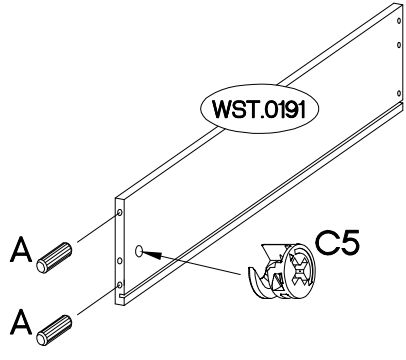
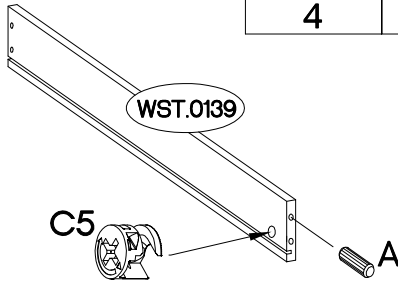
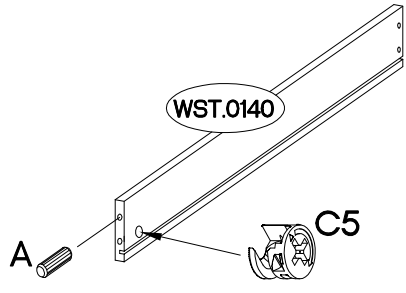
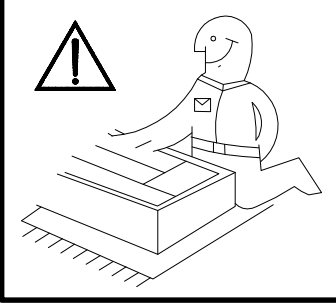
Colli	Ersatzteil Nummer	Dimension
Colli 1/4	ELA.304 x2	850x495x15
	ELA.403 x2	426x510x15
	ELA.411	1733x512x15
	ELA.412 x2	851x510x15
	ELA.413	1733x529x15

Colli	Ersatzteil Nummer	Dimension
Colli 2/4	ELA.512	1797x511x15
	ELA.601 x2	1825x446x2.5
	ELA.620 x2	824x448x2.5
	ELA.609	1825x865x2.5
	ELA.905	1733x70x15
	ELA.906 x2	1733x70x15
	WST.0139	450x80x12
	WST.0140	450x80x12
	WST.0197	450x140x12
	WST.0191	450x140x12
	WST.0342	802x80x12
WST.0343	802x140x12	

Colli	Ersatzteil Nummer	Dimension
Colli 4/4	ELA.701 x2	1737x430x15
	ELA.725	863x137x15
	ELA.726	863x240x15
	ELA.714	1351x430x19

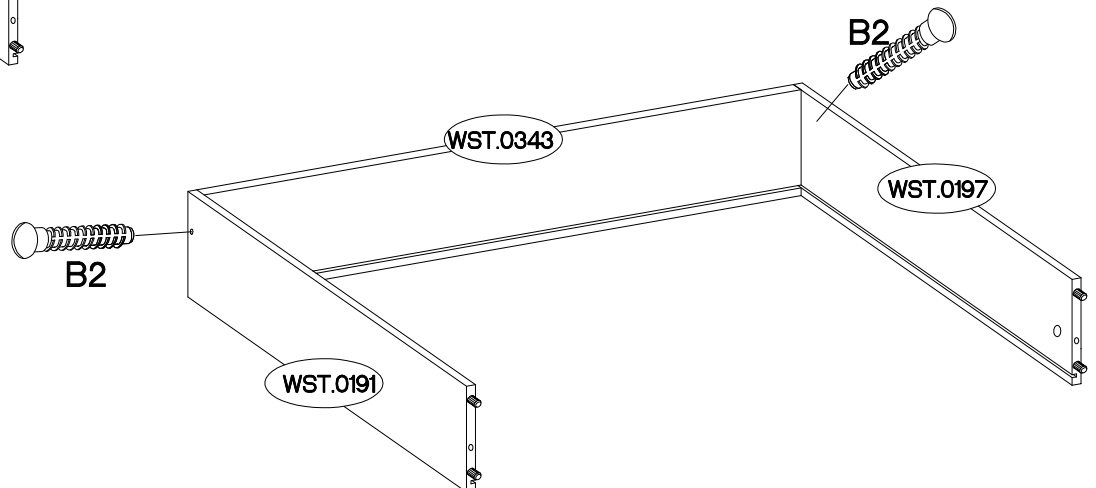
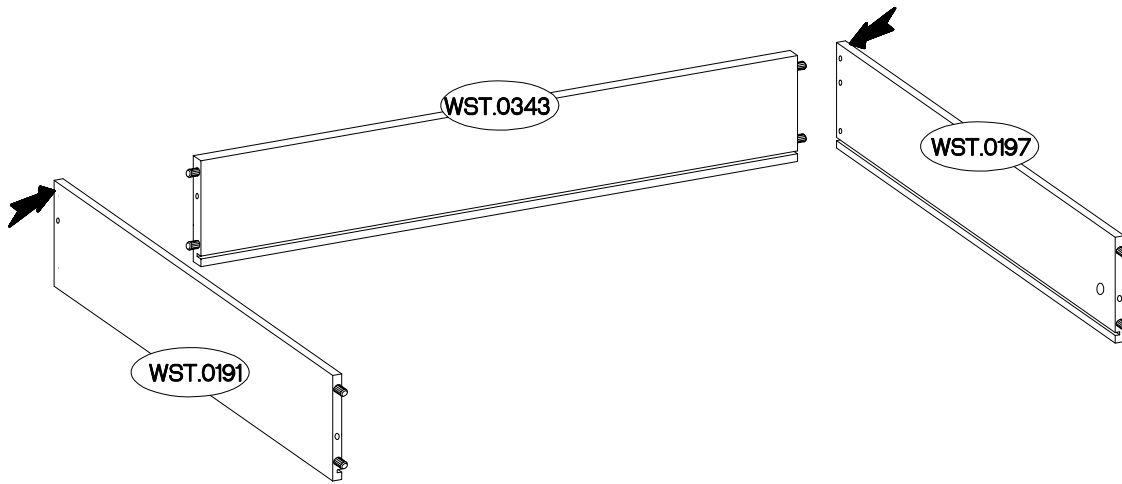
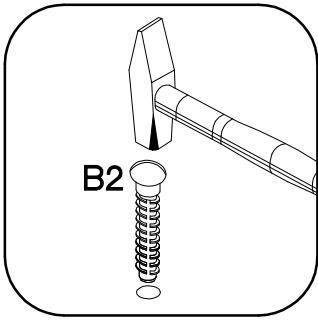
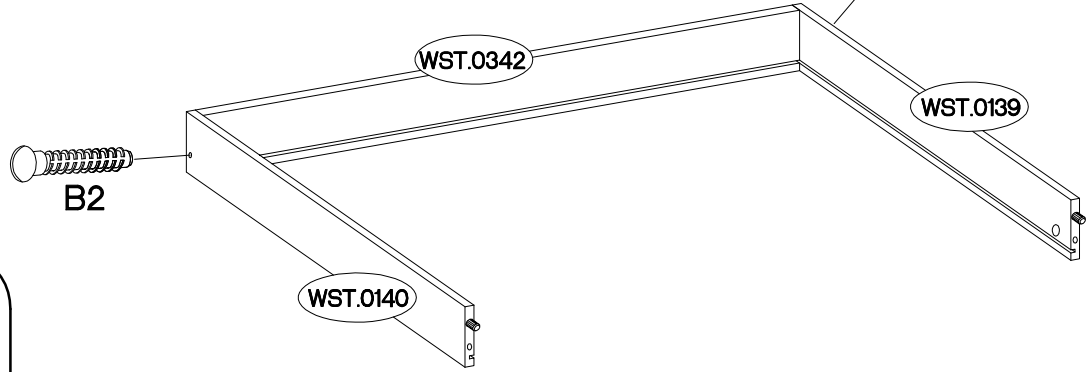
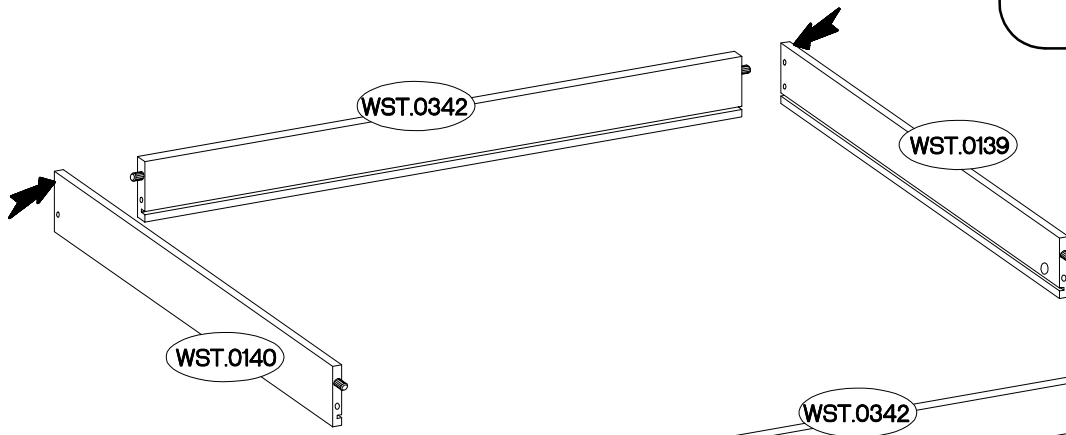
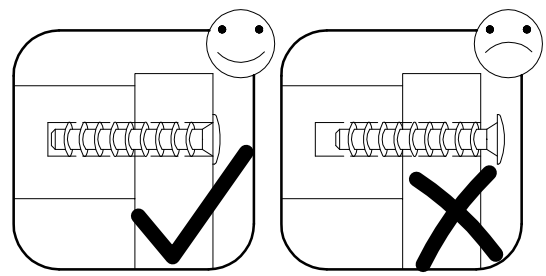
Colli	Ersatzteil Nummer	Dimension
Colli 3/4	ELA.102	1900x530x15
	ELA.105	1900x530x15
	ELA.511	1797x511x15

L=20mm  D2 4	±12/10mm  C5 4	±8x30mm  A 12
-------------------------------------------------------------------------------------------------------	----------------------------------------------------------------------------------------------------------	----------------------------------------------------------------------------------------------------------

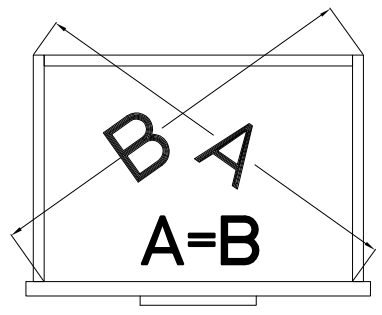
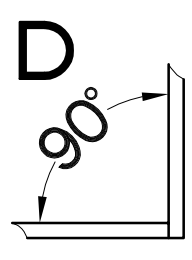
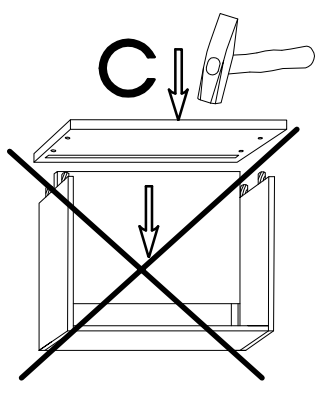
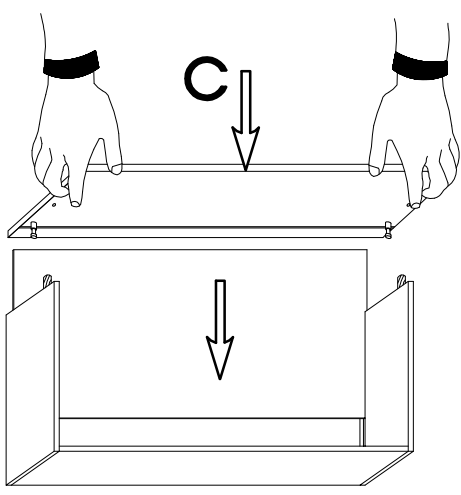
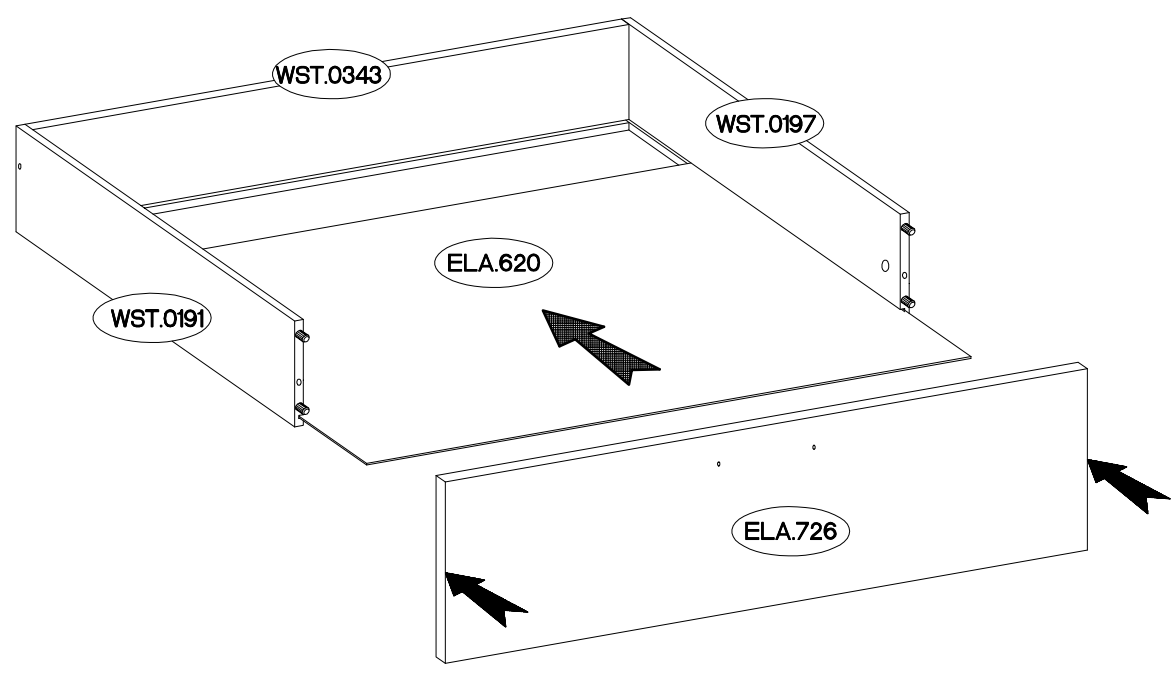
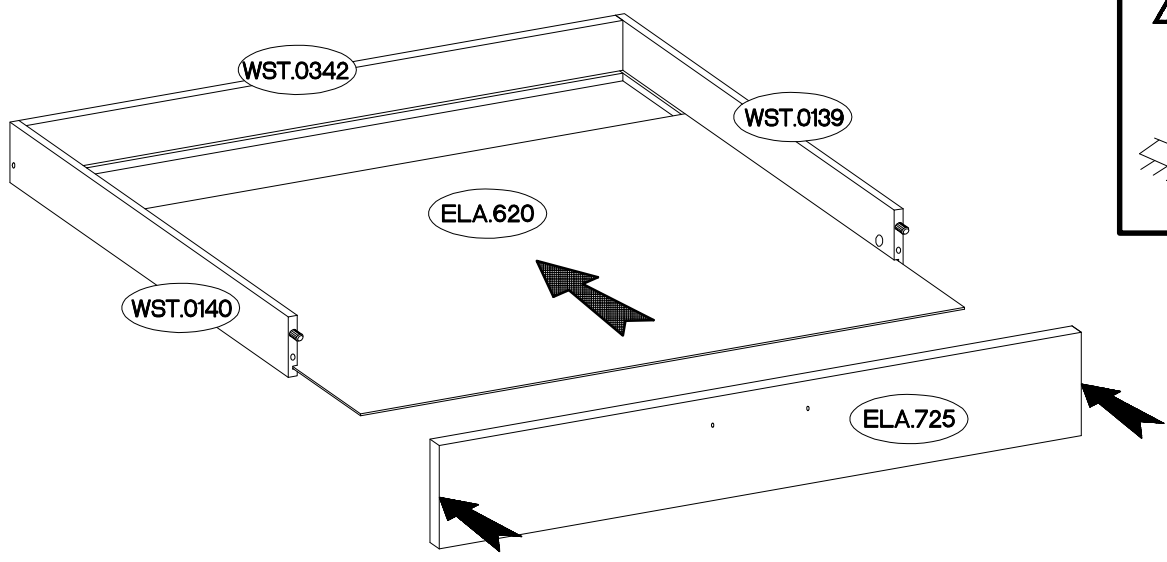
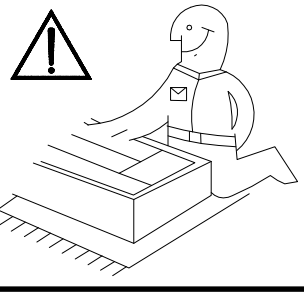


2

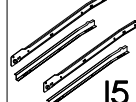

+6x42mm
B2
4

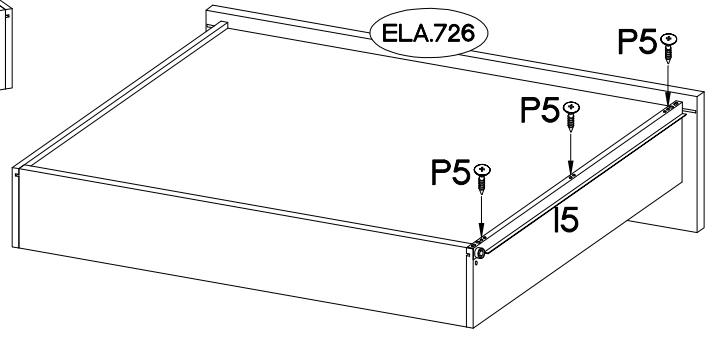
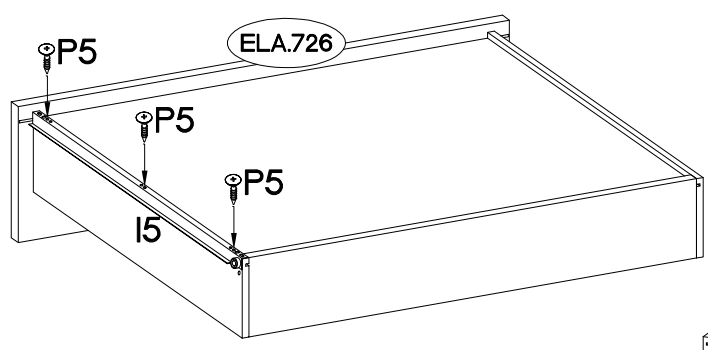
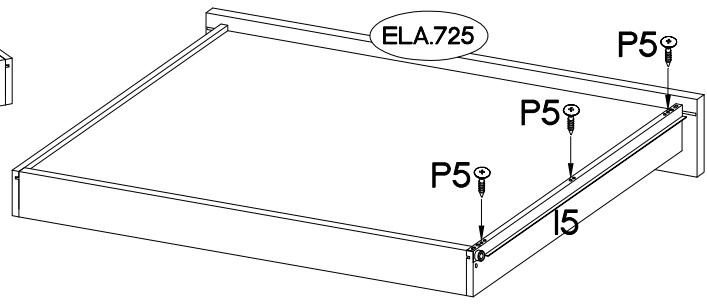
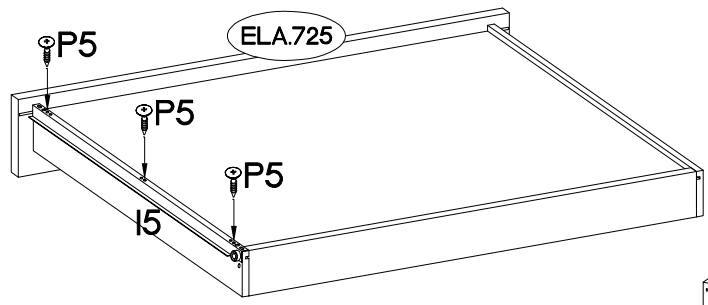
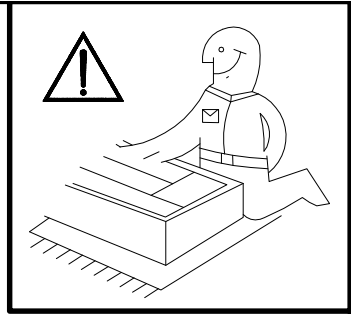


3

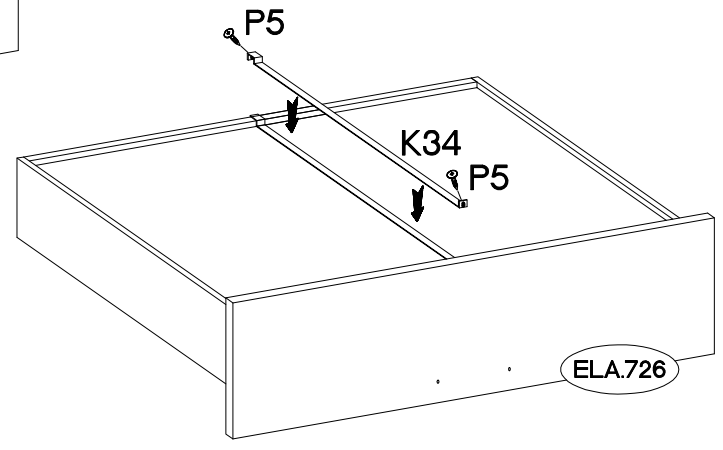
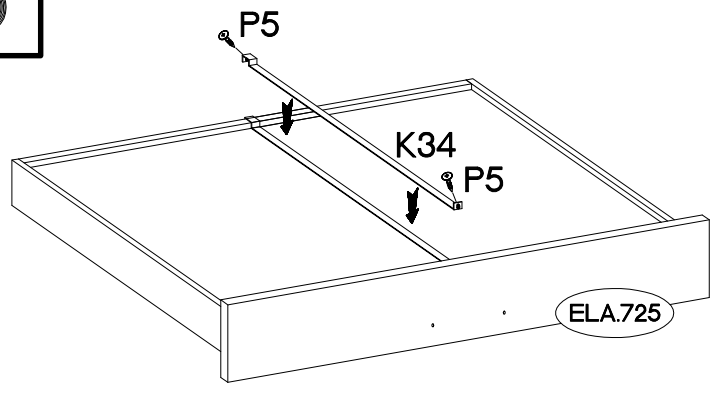
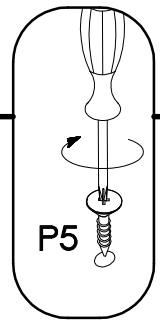


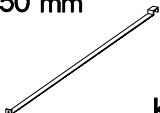

4

L=450mm	φ3.5x13mm
 15	 P5
2	12

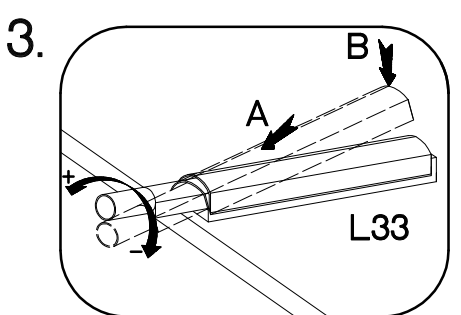
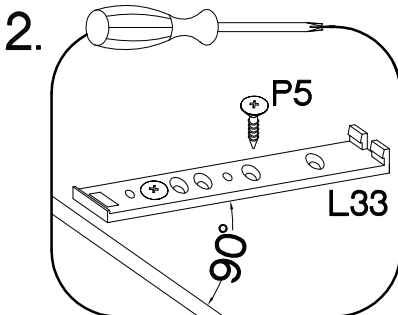
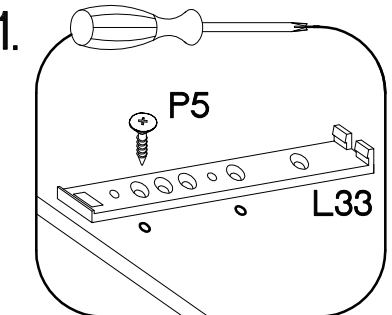
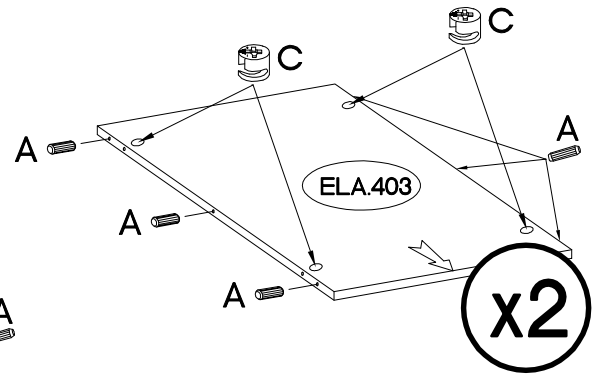
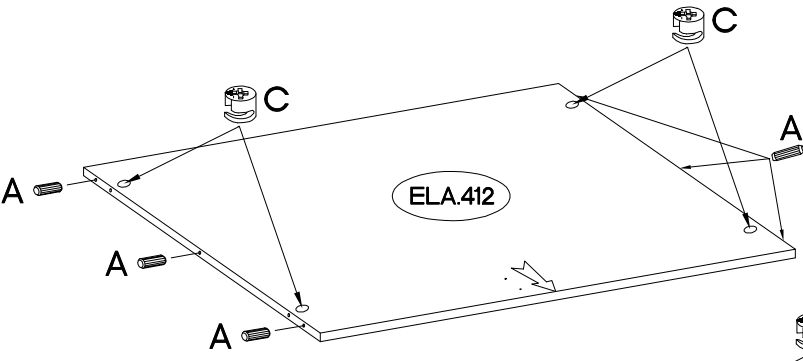
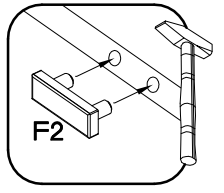
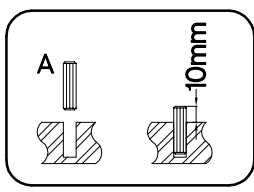
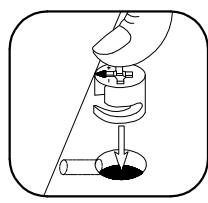
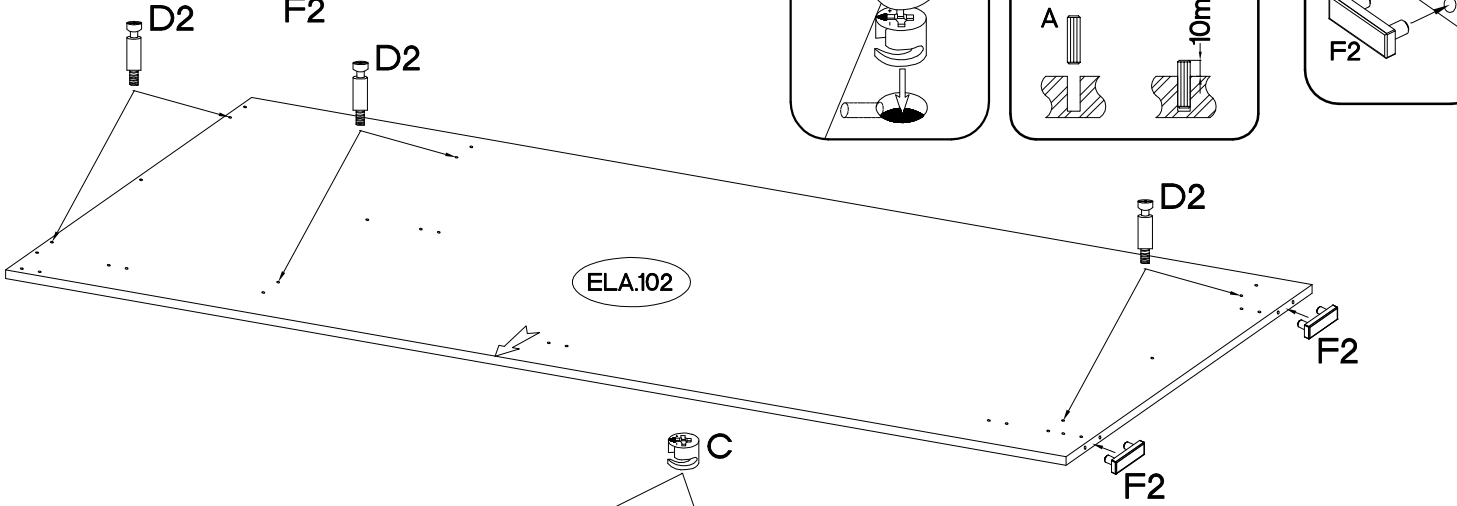
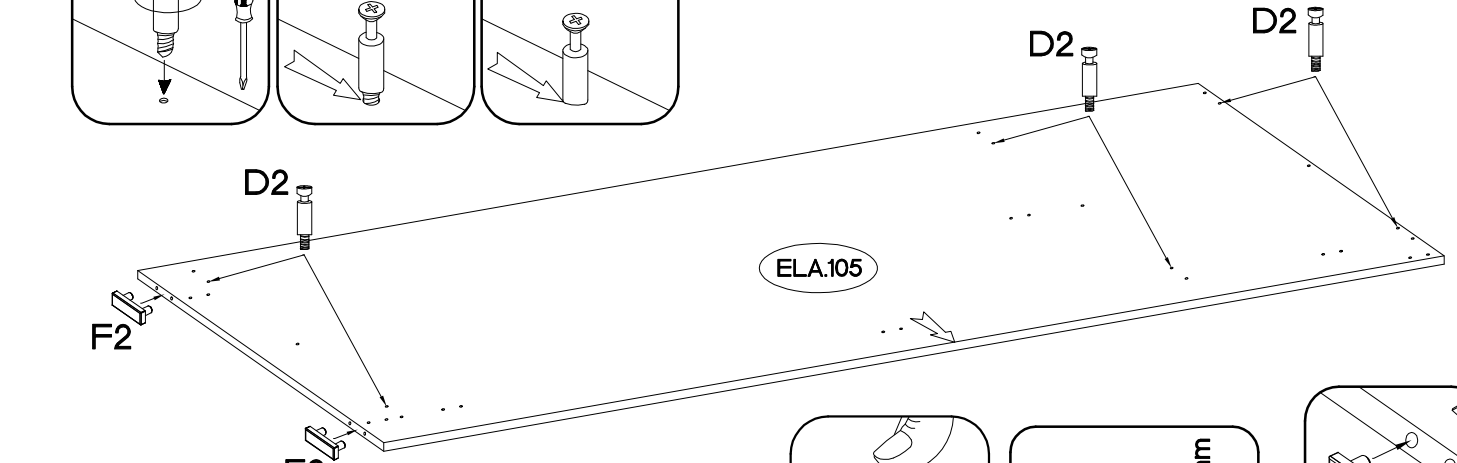
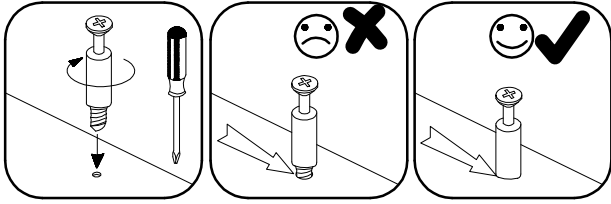
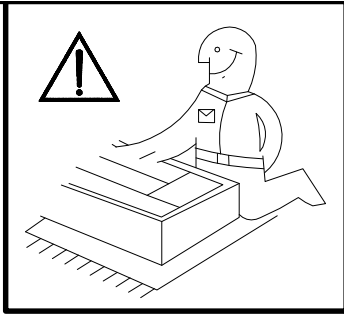


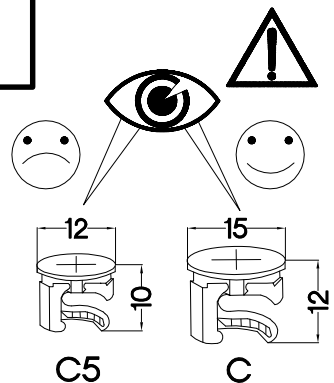
5



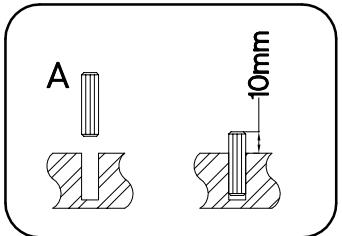
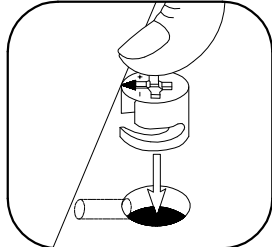
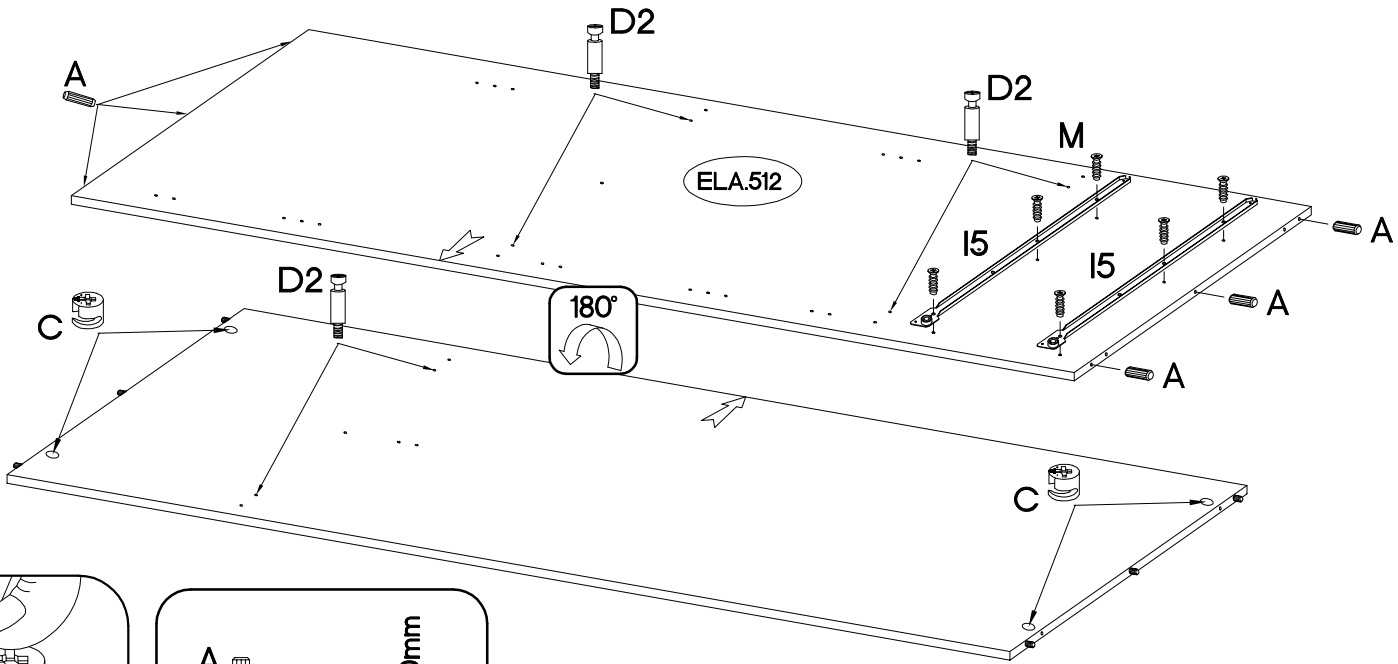
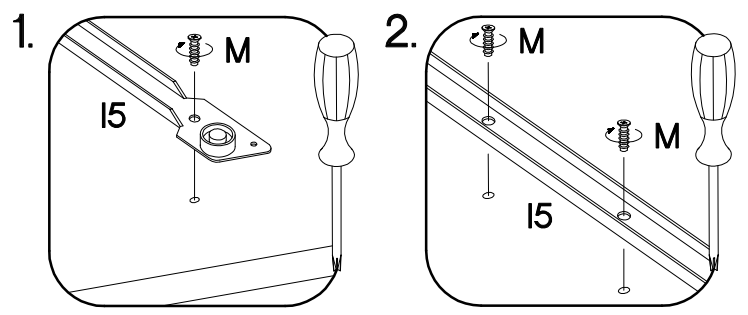
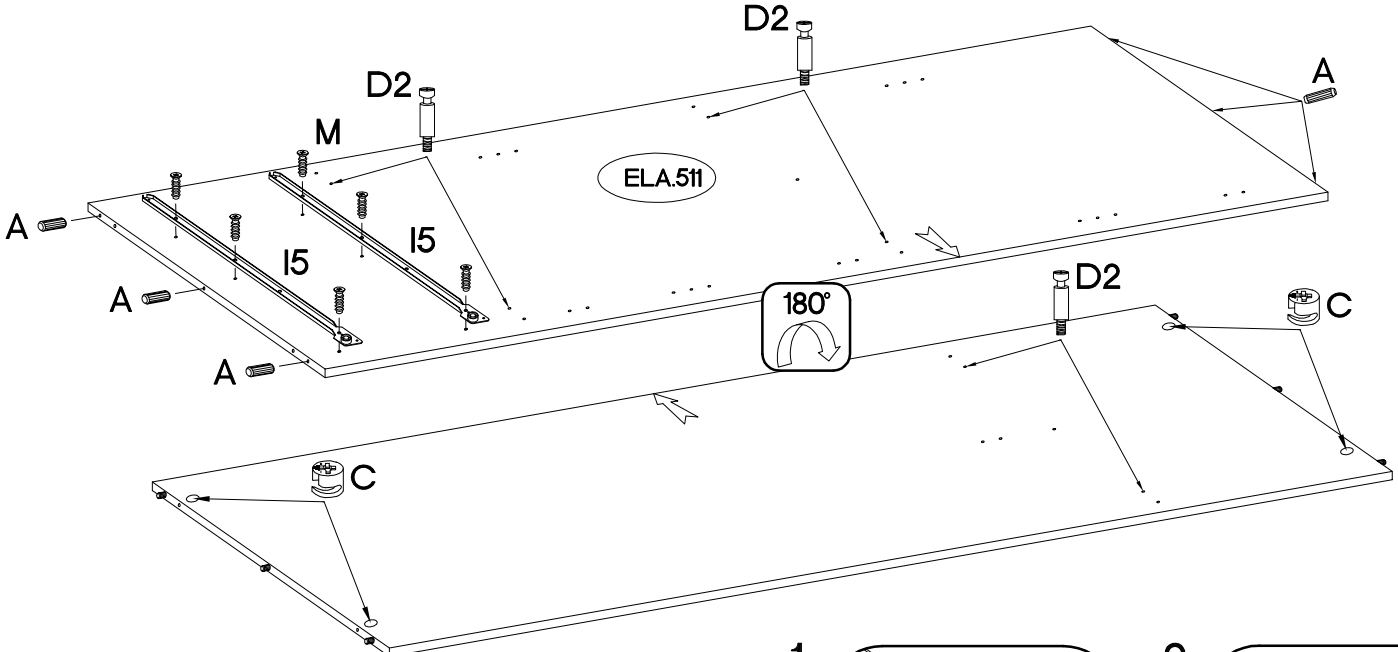
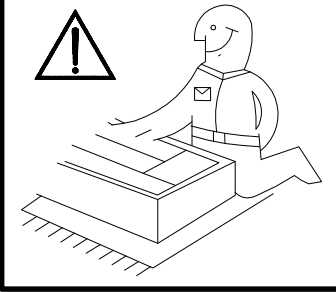
L=450 mm	φ3.5x13mm
 K34	 P5
2	4

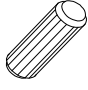
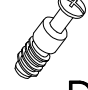

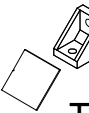


L=20mm D2 12	6.5x48x16 F2 4	±8x30mm A 24	±15/12mm C 16	 L33 1	±3.5x13mm P5 2
------------------------	--------------------------	------------------------	-------------------------	--------------	--------------------------

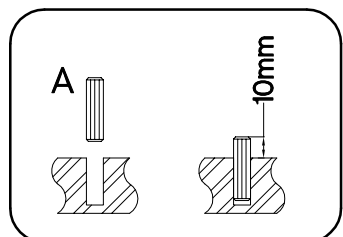
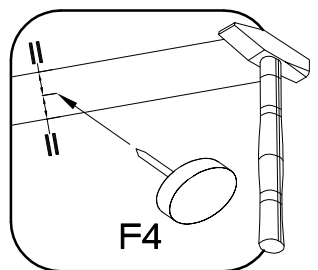
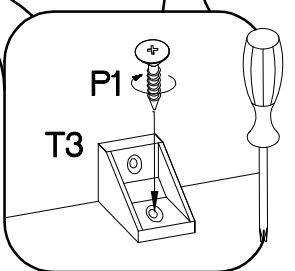
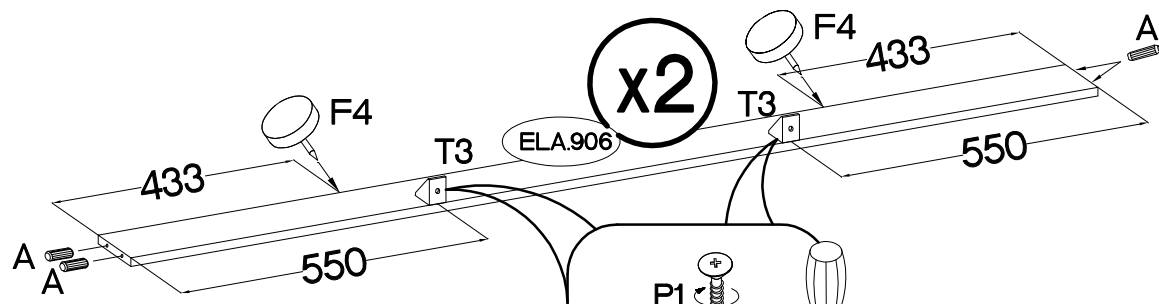
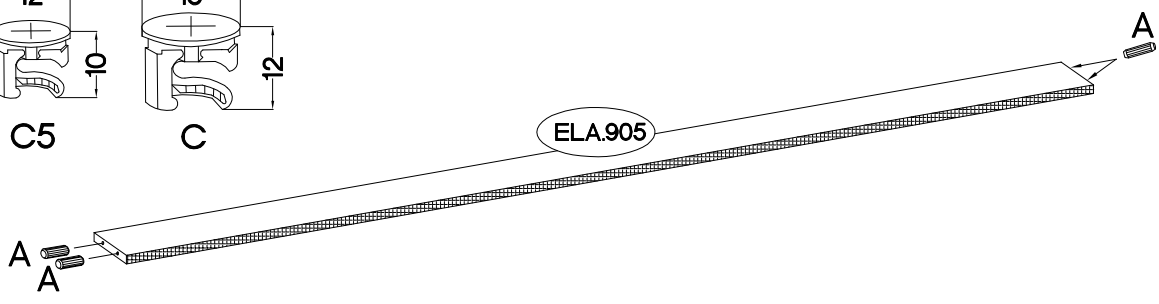
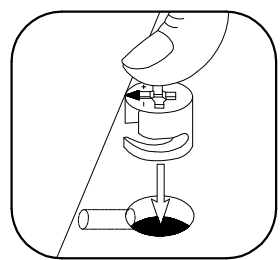
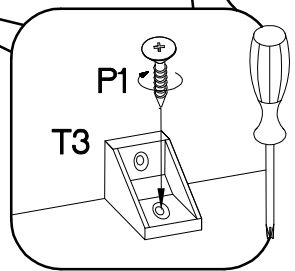
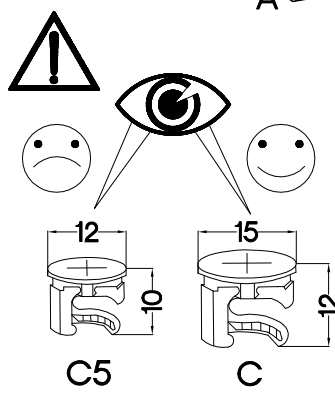
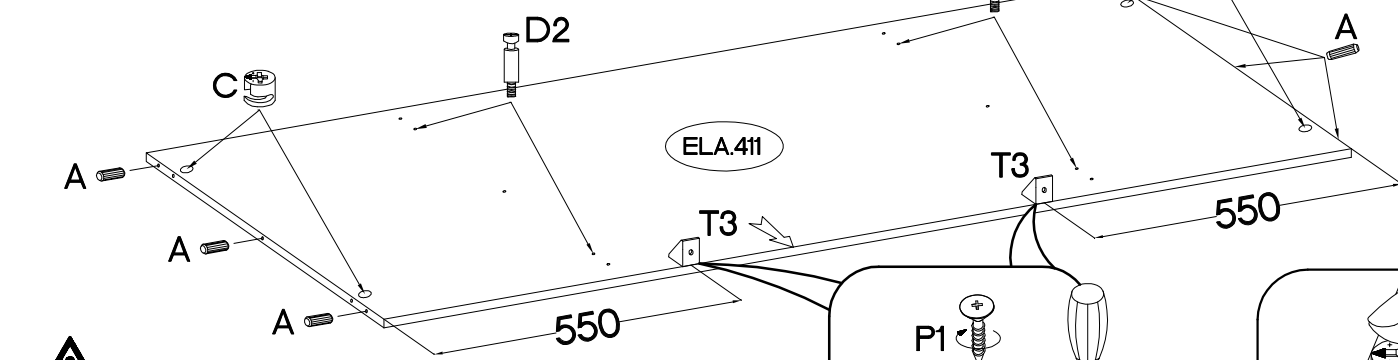
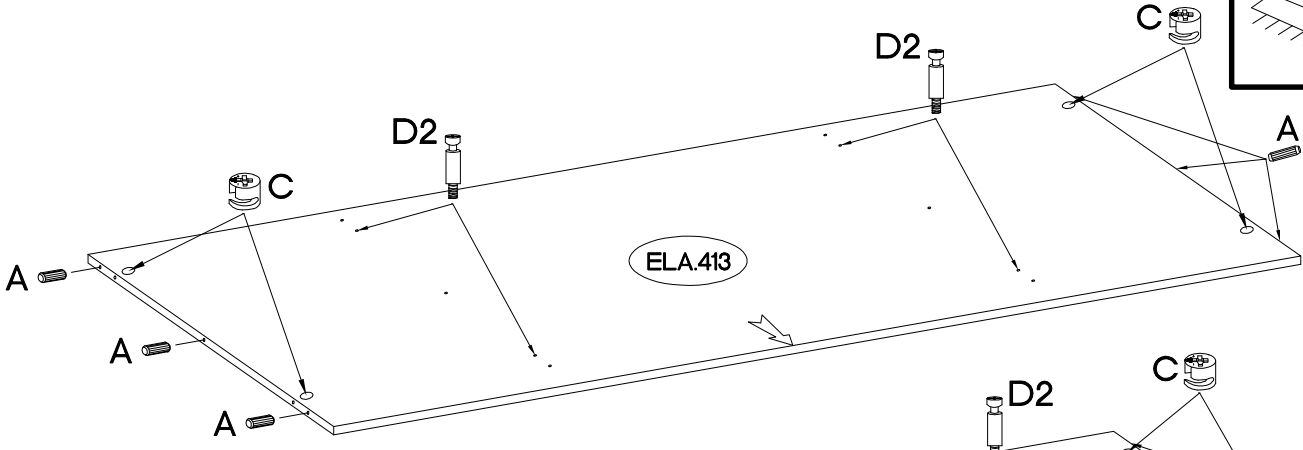
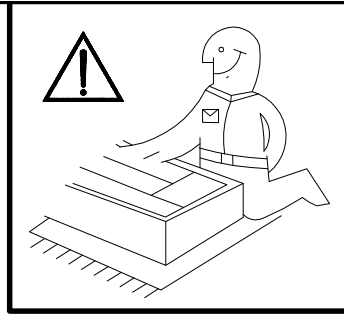




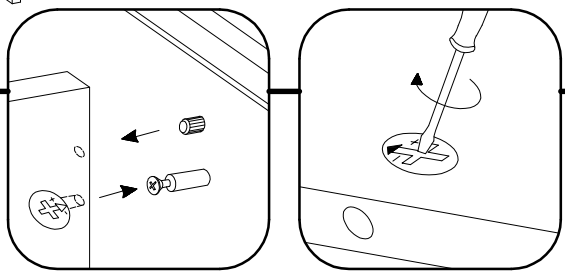
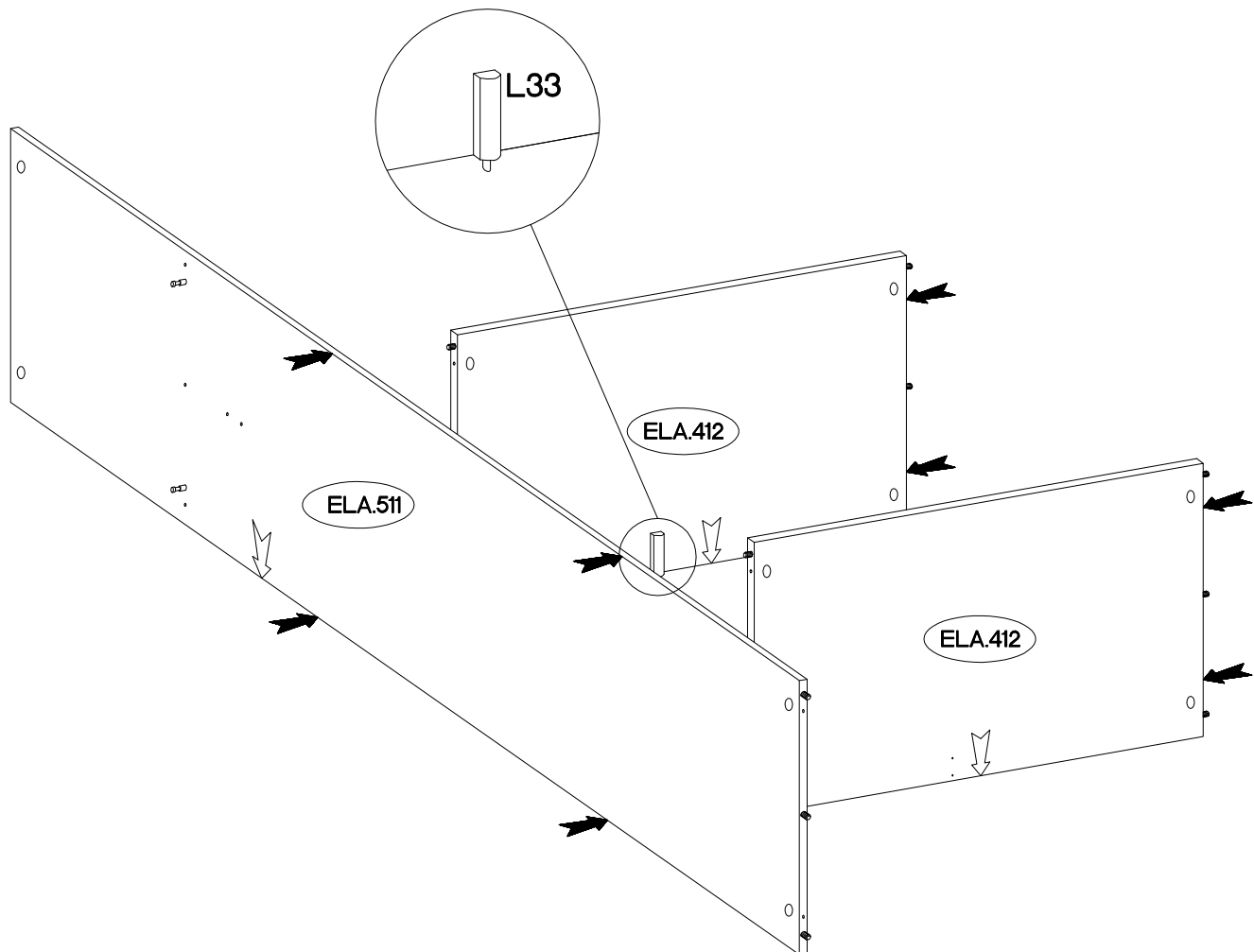
L=450mm 15	+5.0x13mm M	+8x30mm A	+15/12mm C	L=20mm D2
2	12	12	8	12



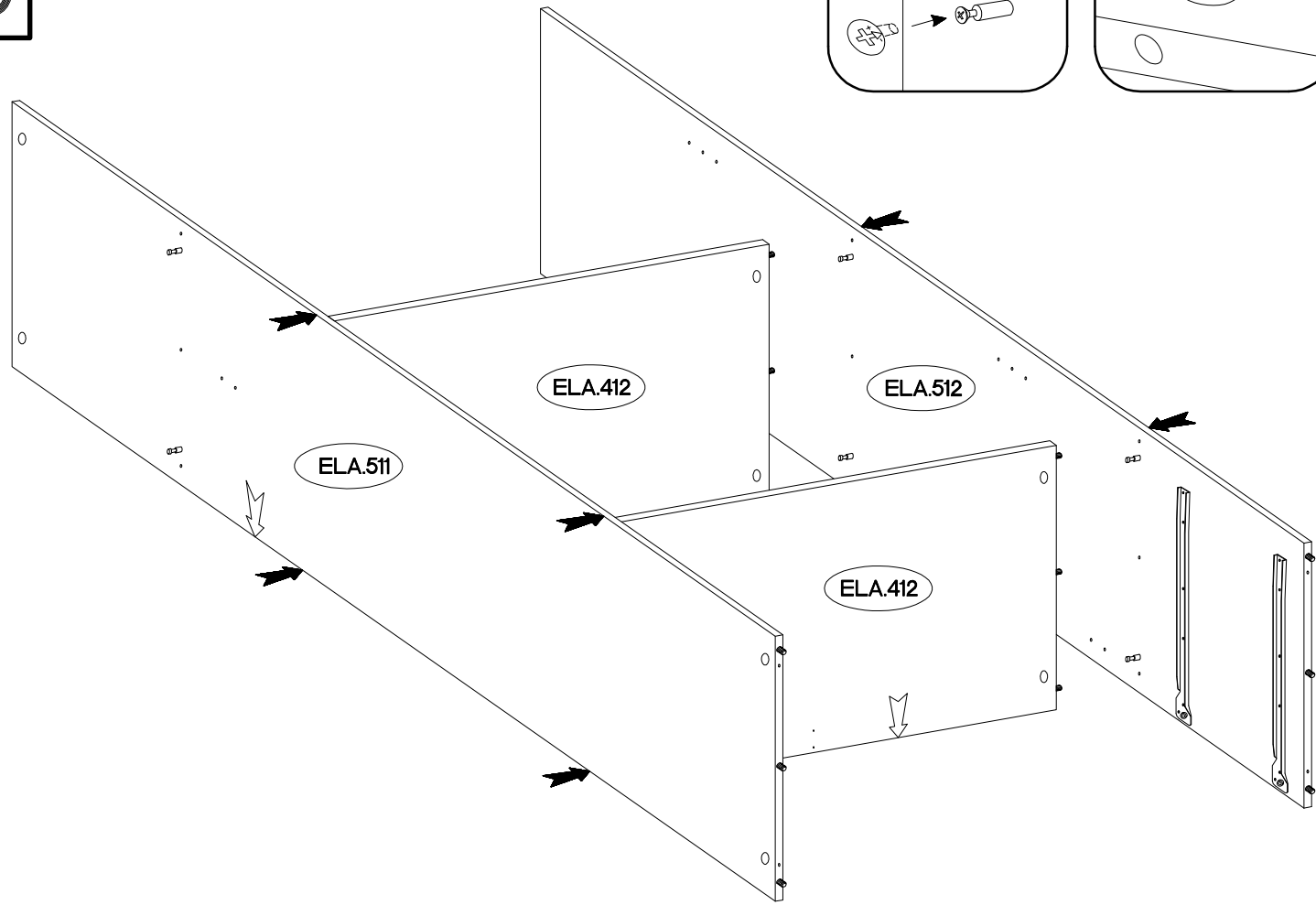
$\varnothing 8 \times 30 \text{mm}$  A 24	L=20mm  D2 8	$\varnothing 15/12 \text{mm}$  C 8	 T3 6	$\varnothing 4.0 \times 16 \text{mm}$  P1 6	$\varnothing 15 \times 5 \text{mm}$  F4 4
------------------------------------------------------------------------------------------------------------------------------------	-------------------------------------------------------------------------------------------------------	-----------------------------------------------------------------------------------------------------------------------------	---------------------------------------------------------------------------------------------	--------------------------------------------------------------------------------------------------------------------------------------	------------------------------------------------------------------------------------------------------------------------------------



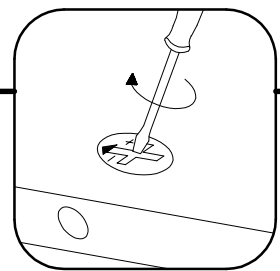
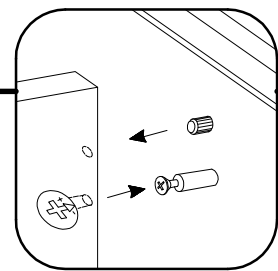
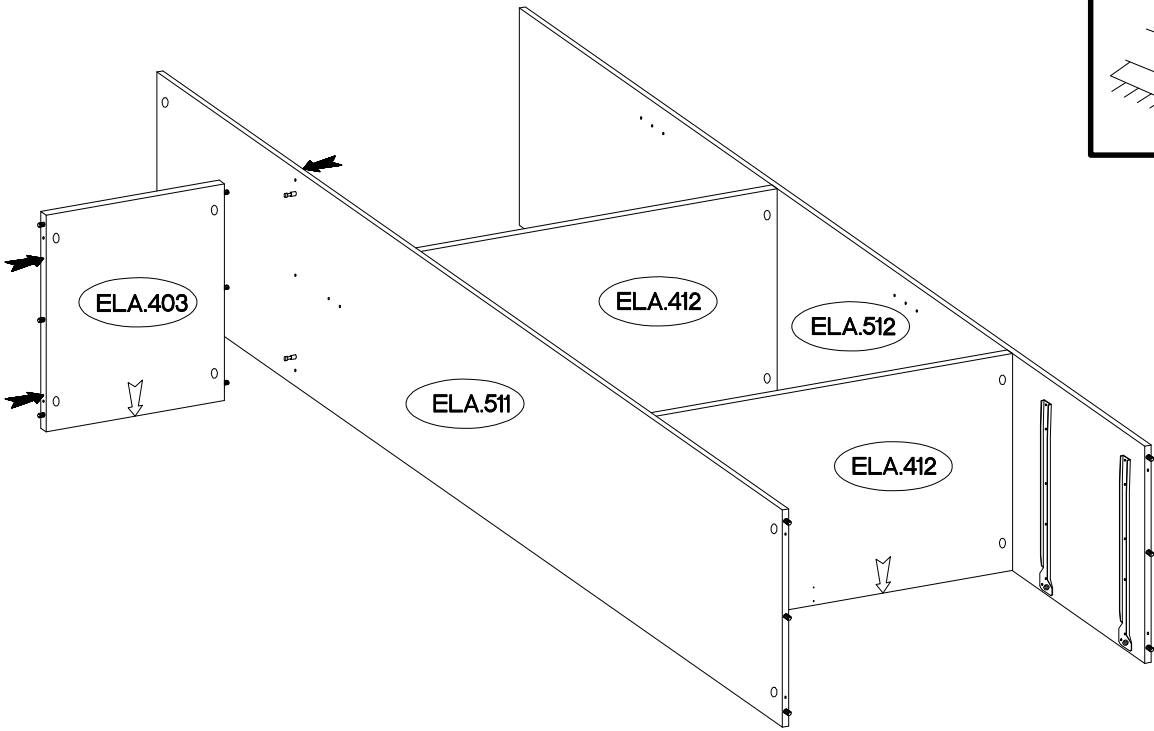
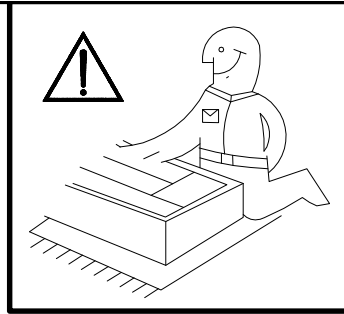
9



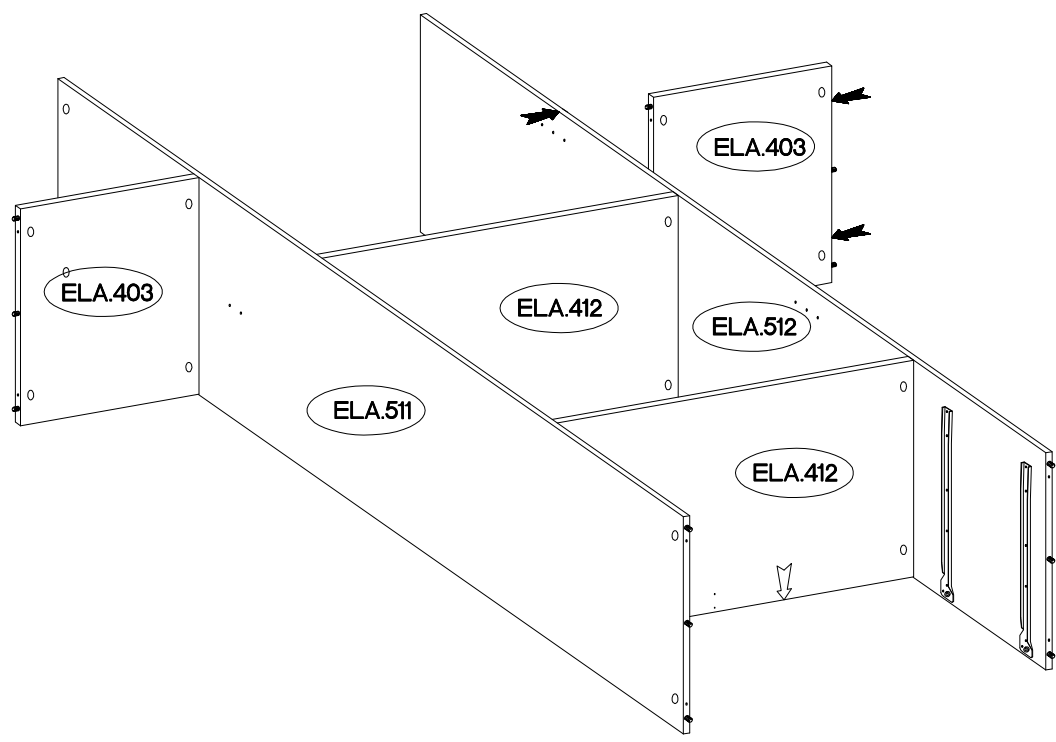
10



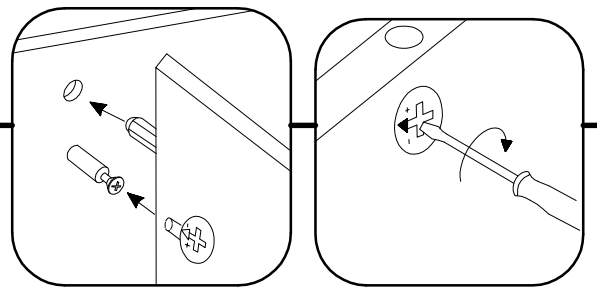
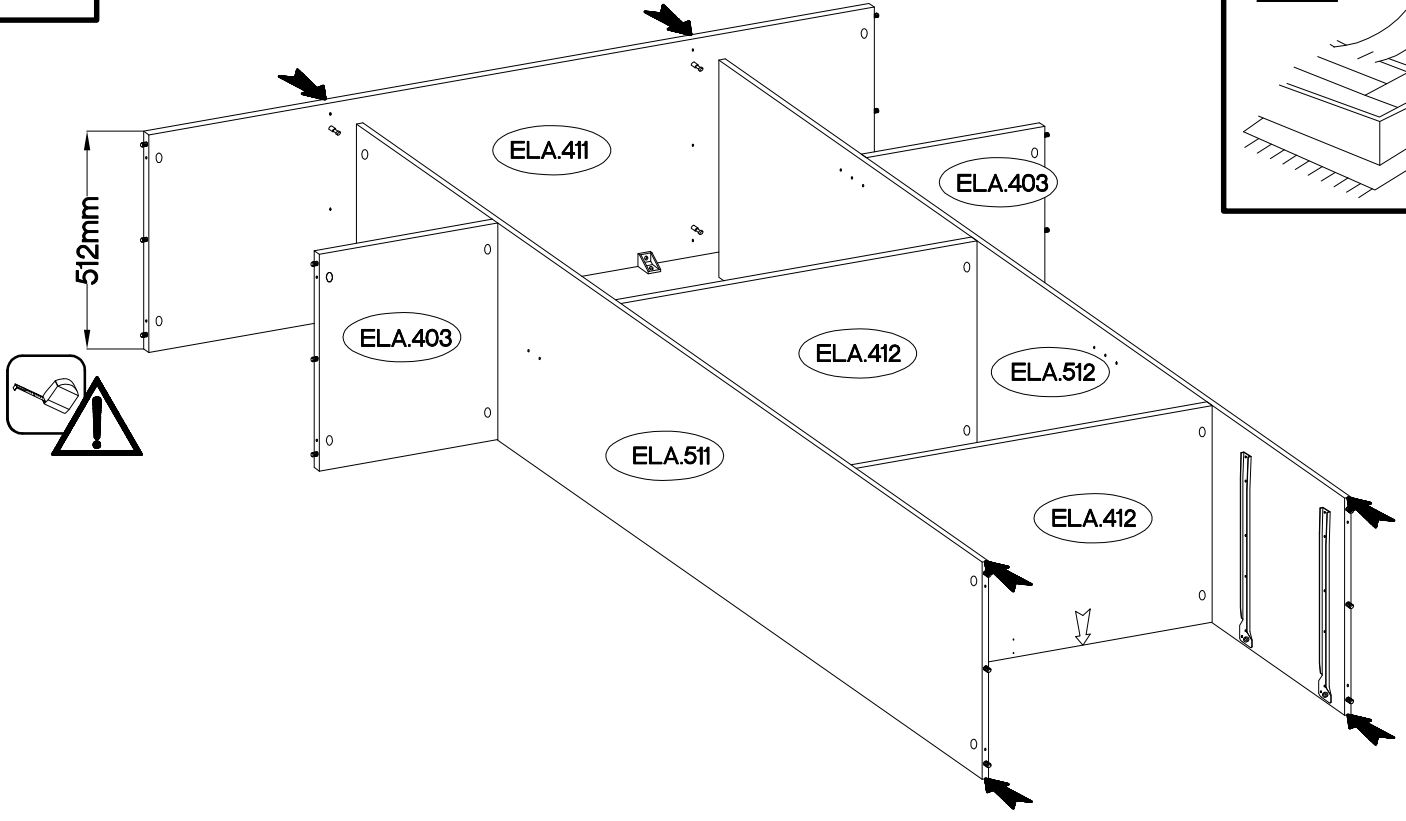
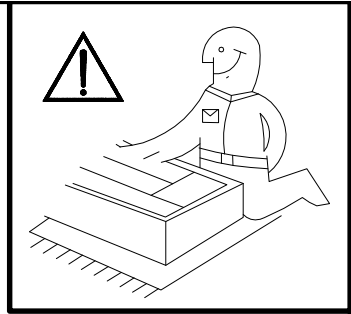
11



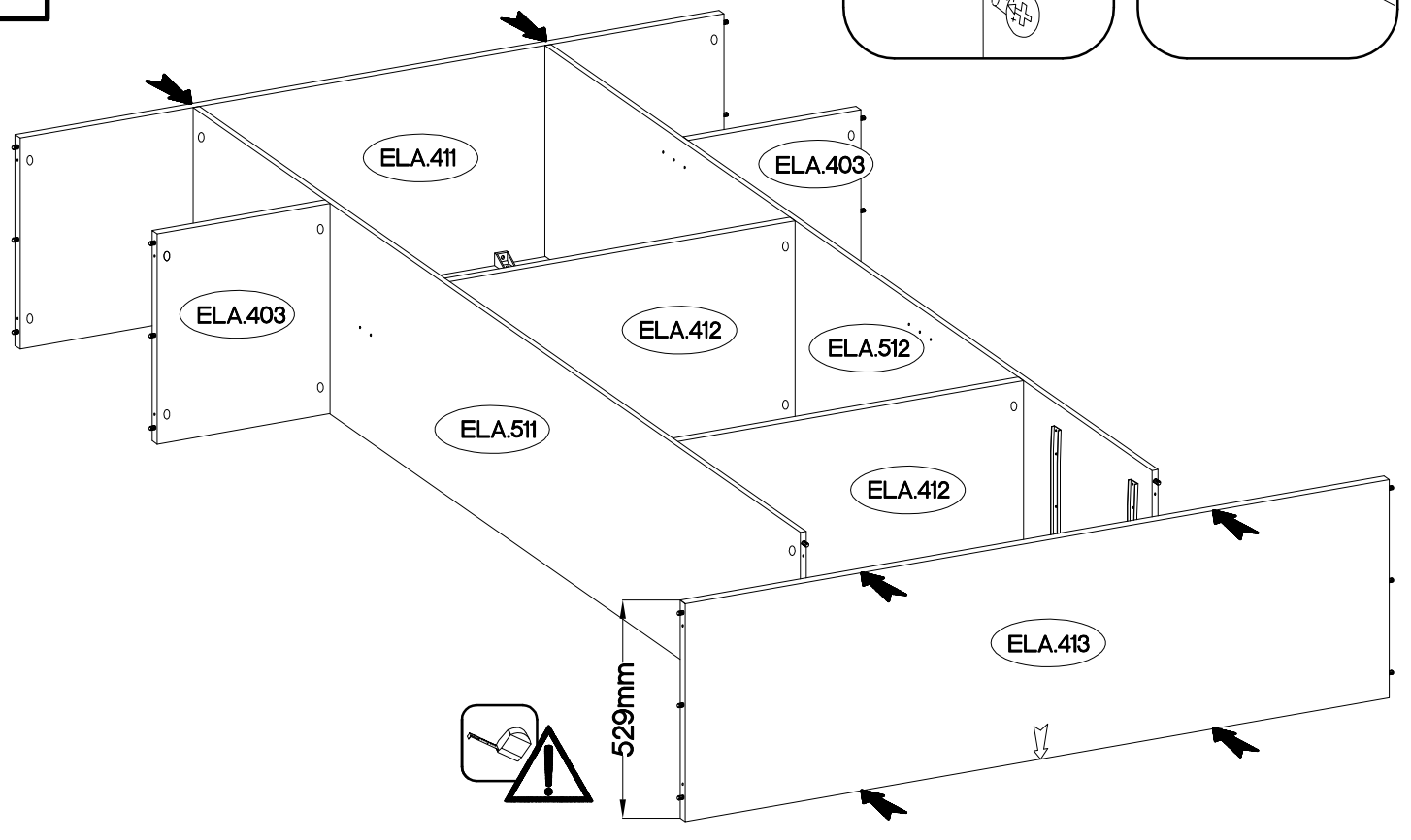
12



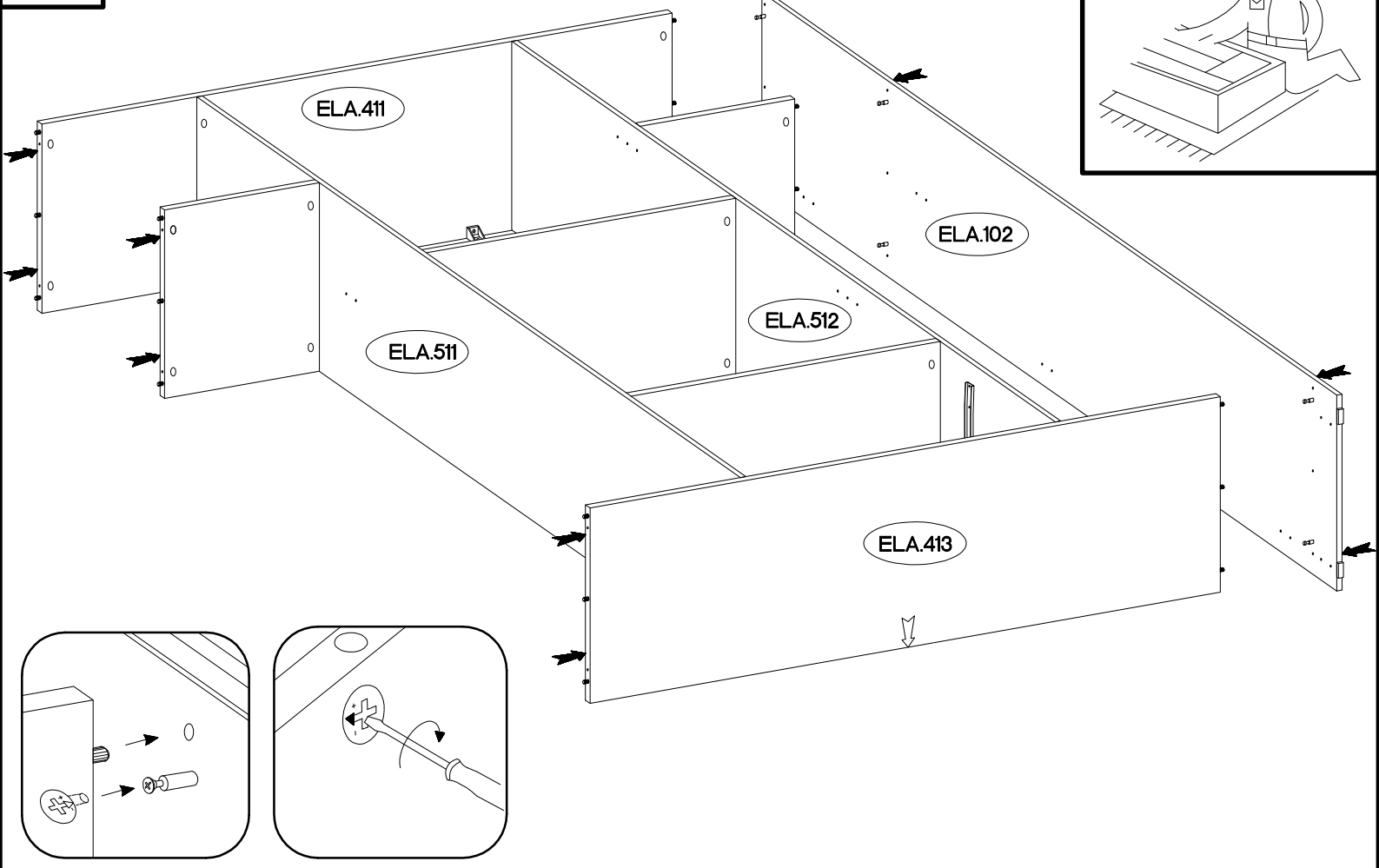
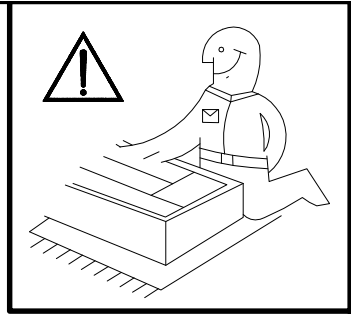
13



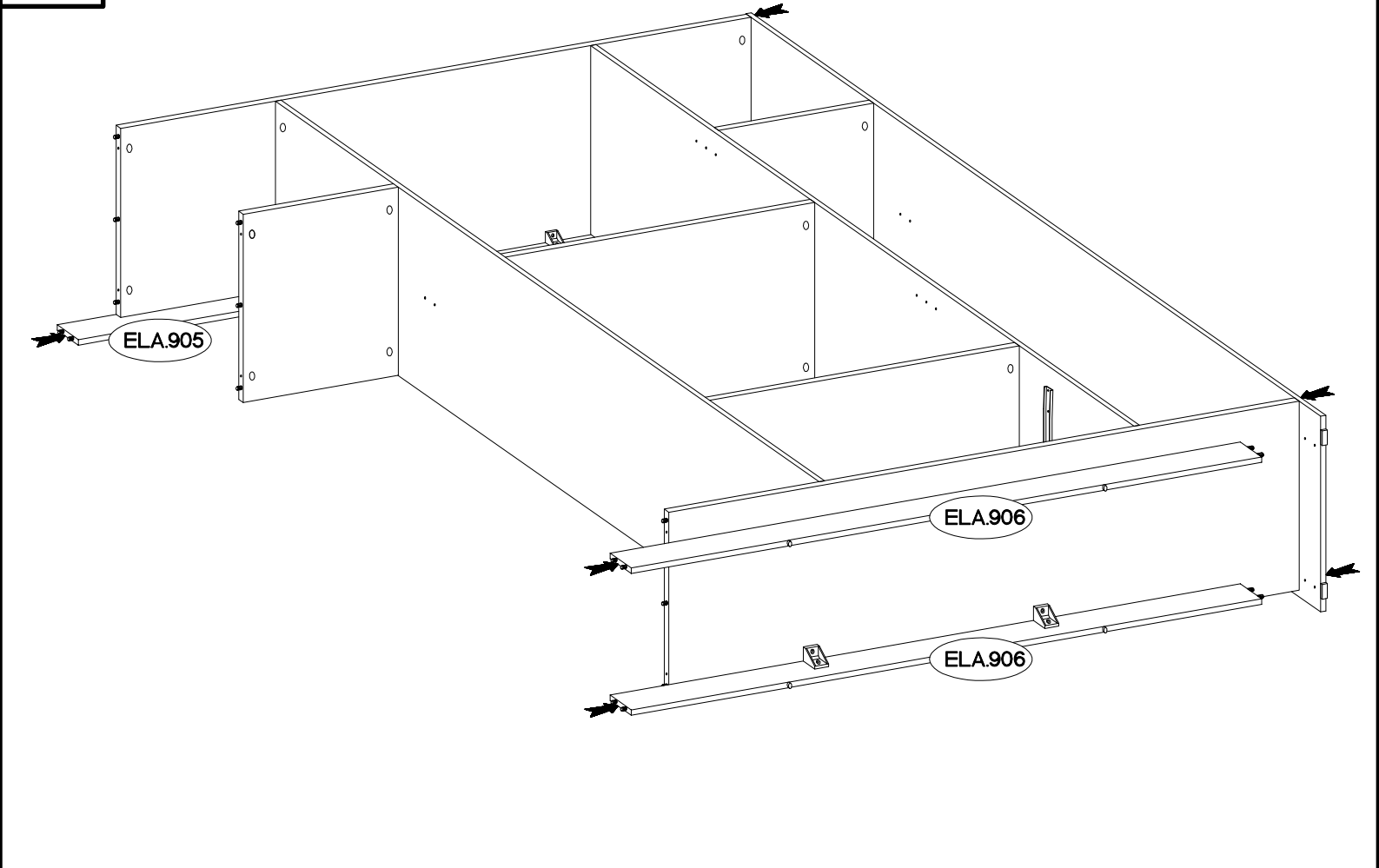
14



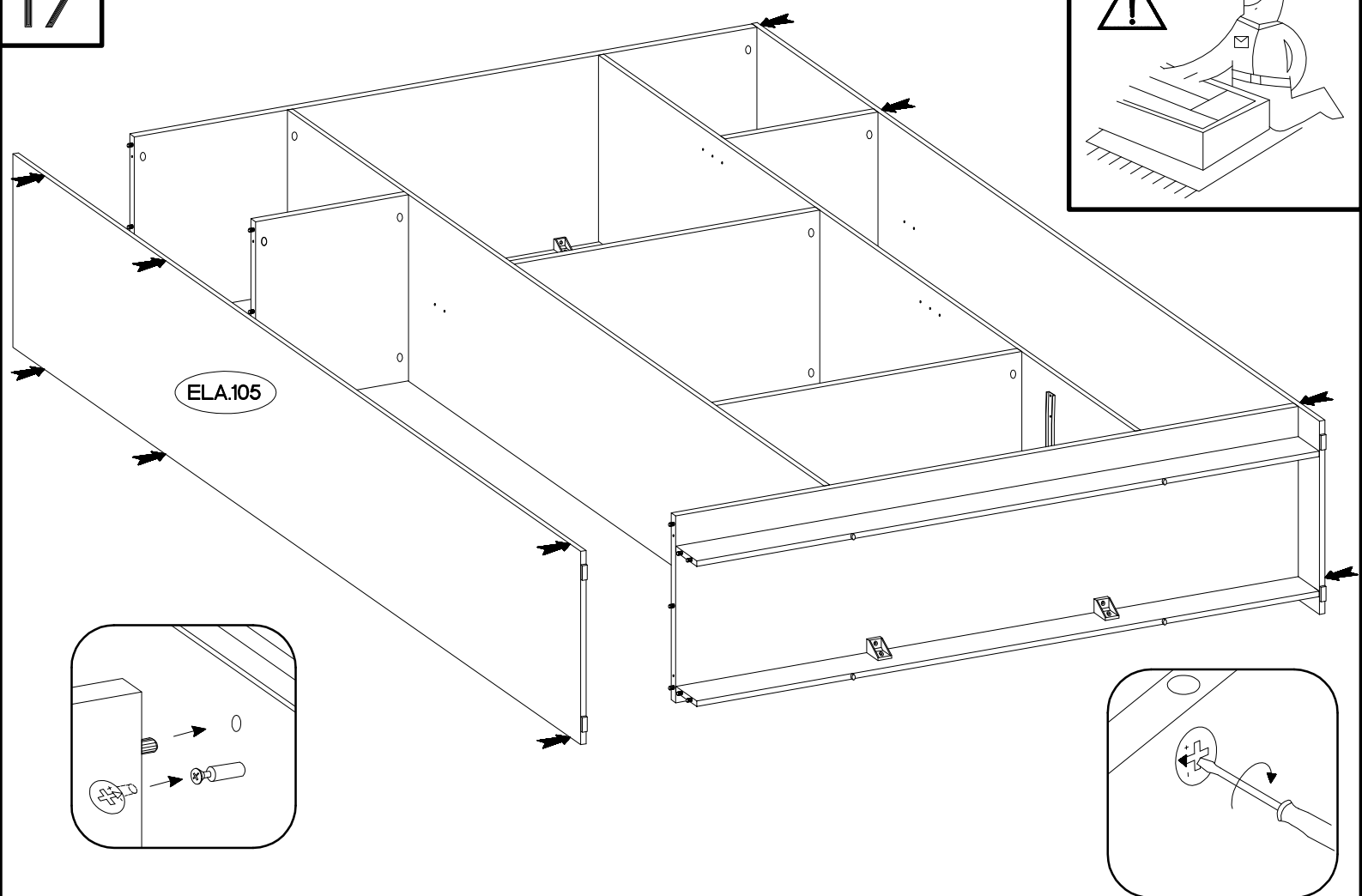
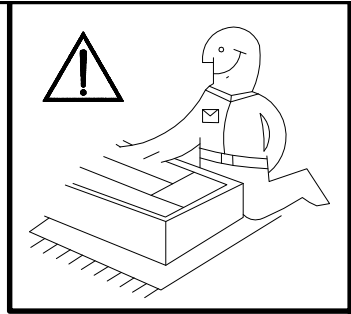
15



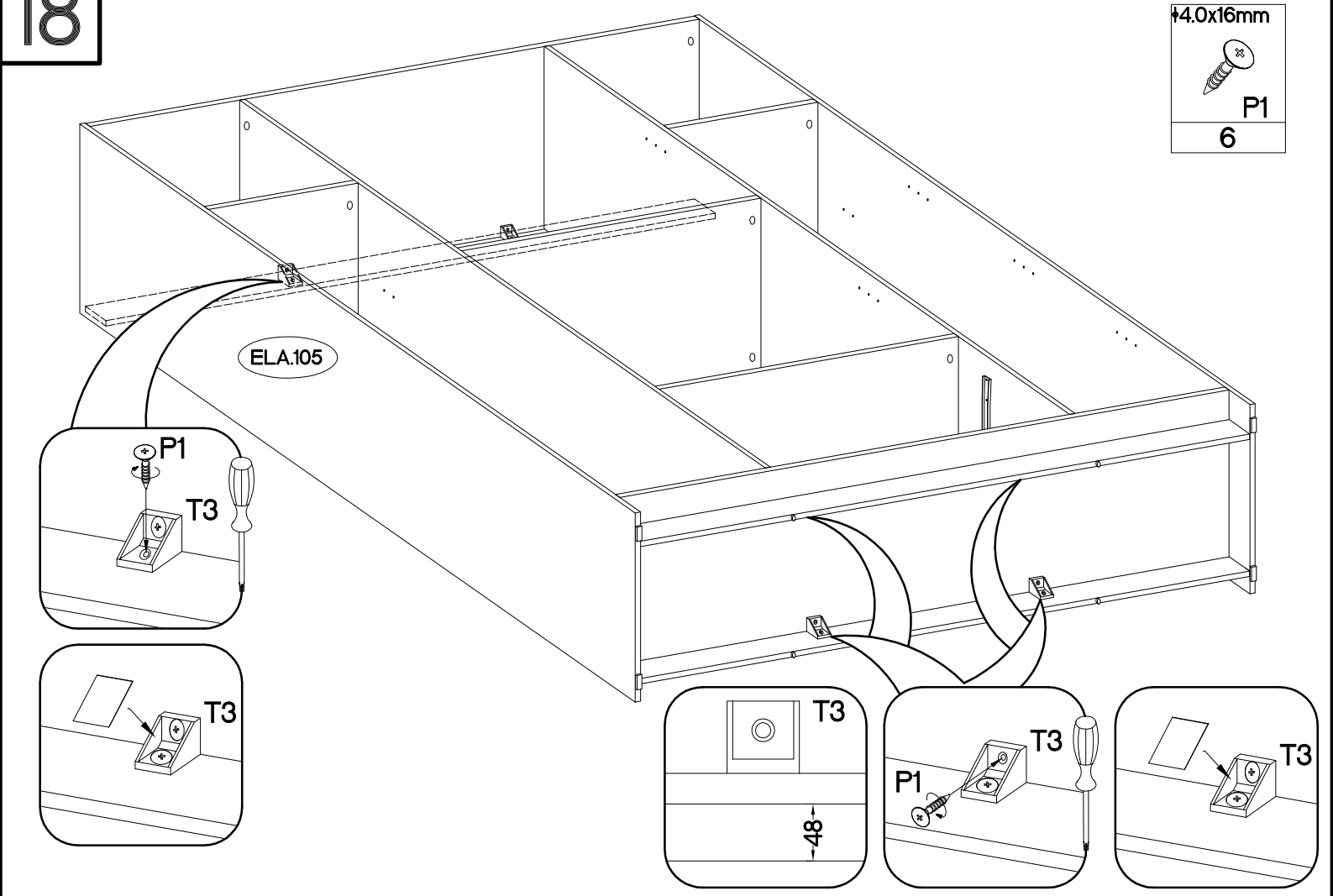
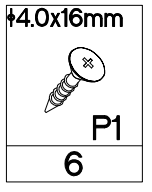
16


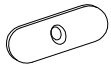


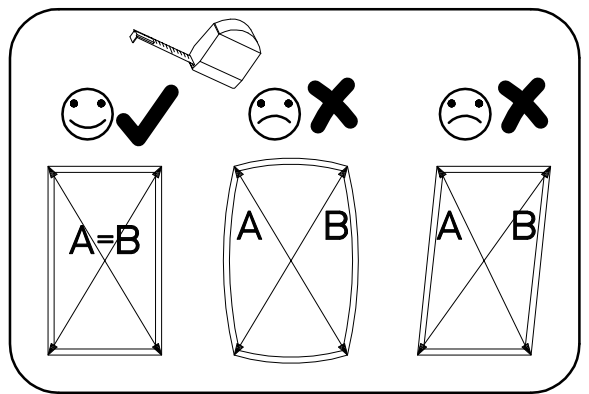
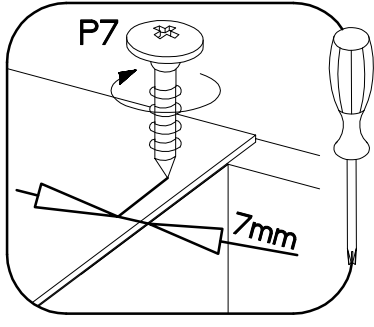
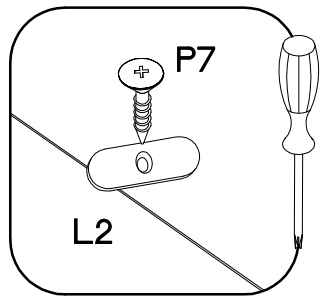
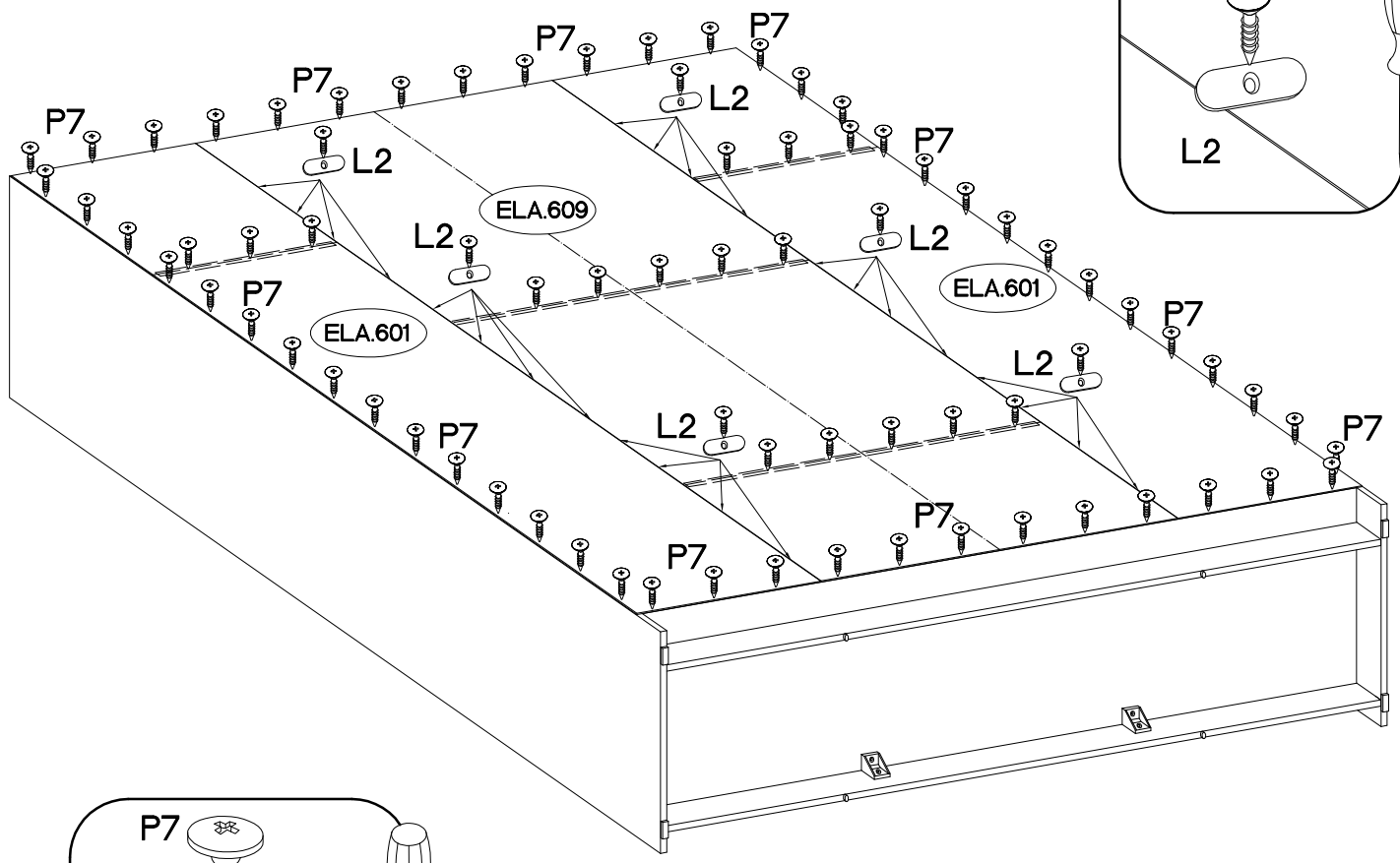
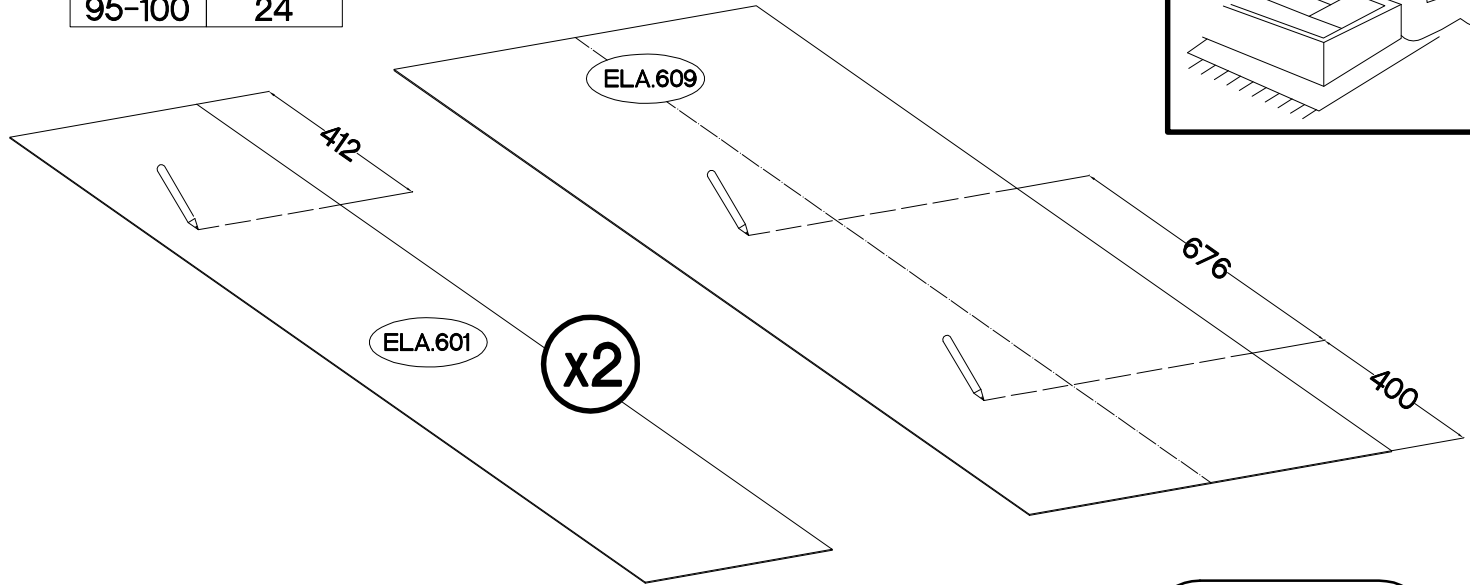
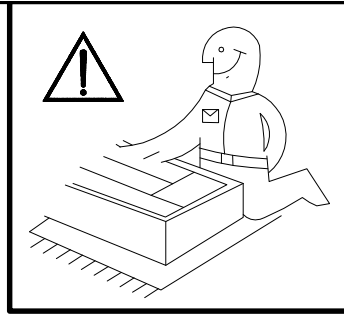
17

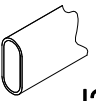





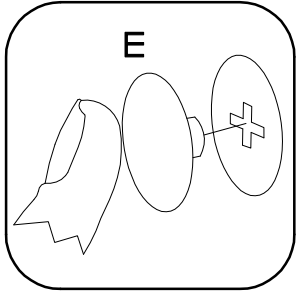
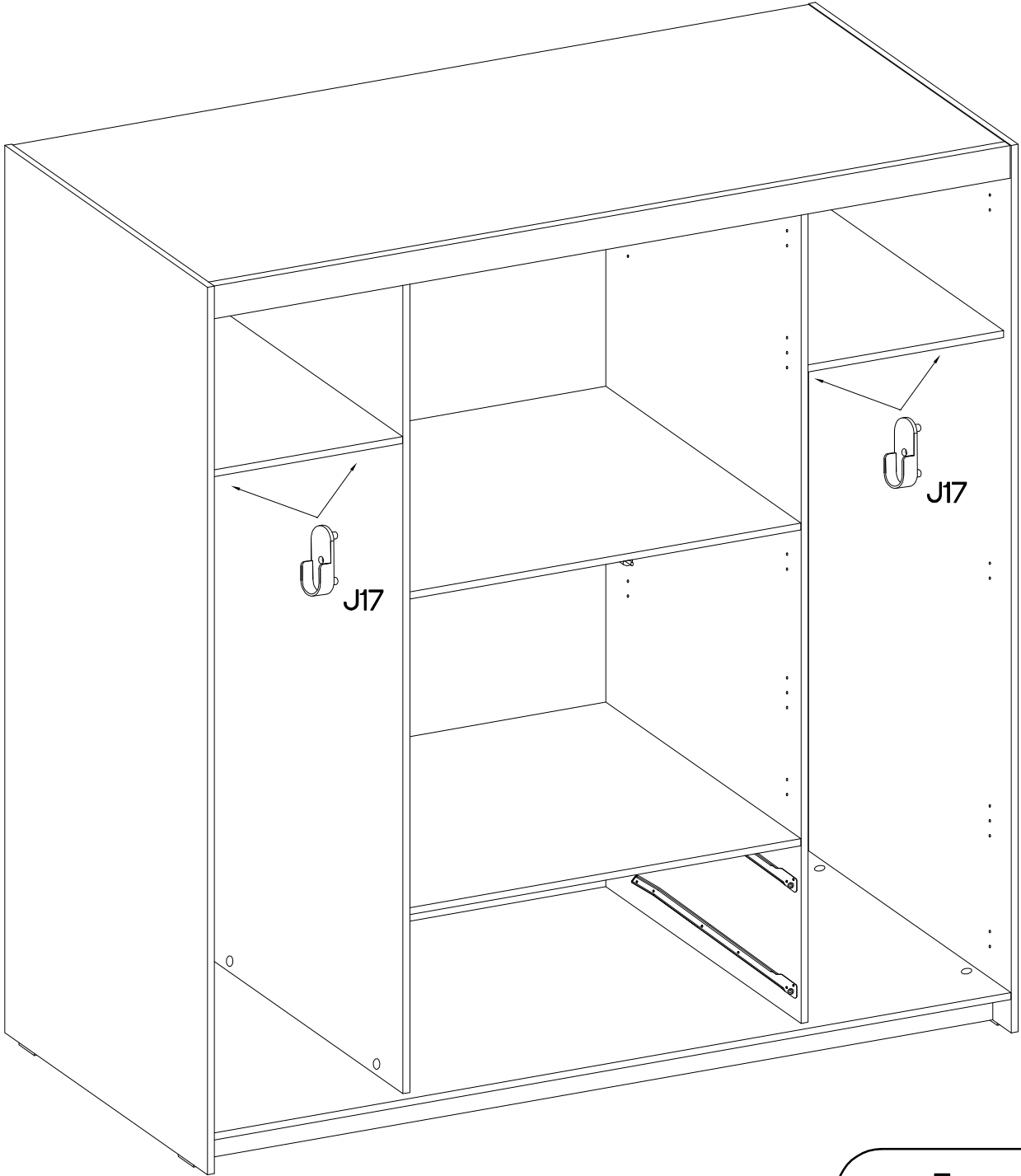
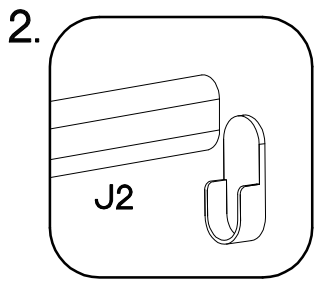
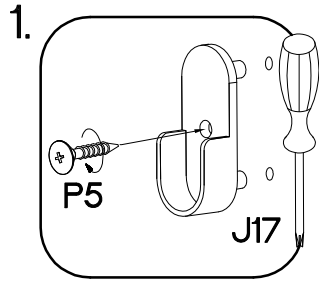
18

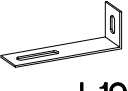





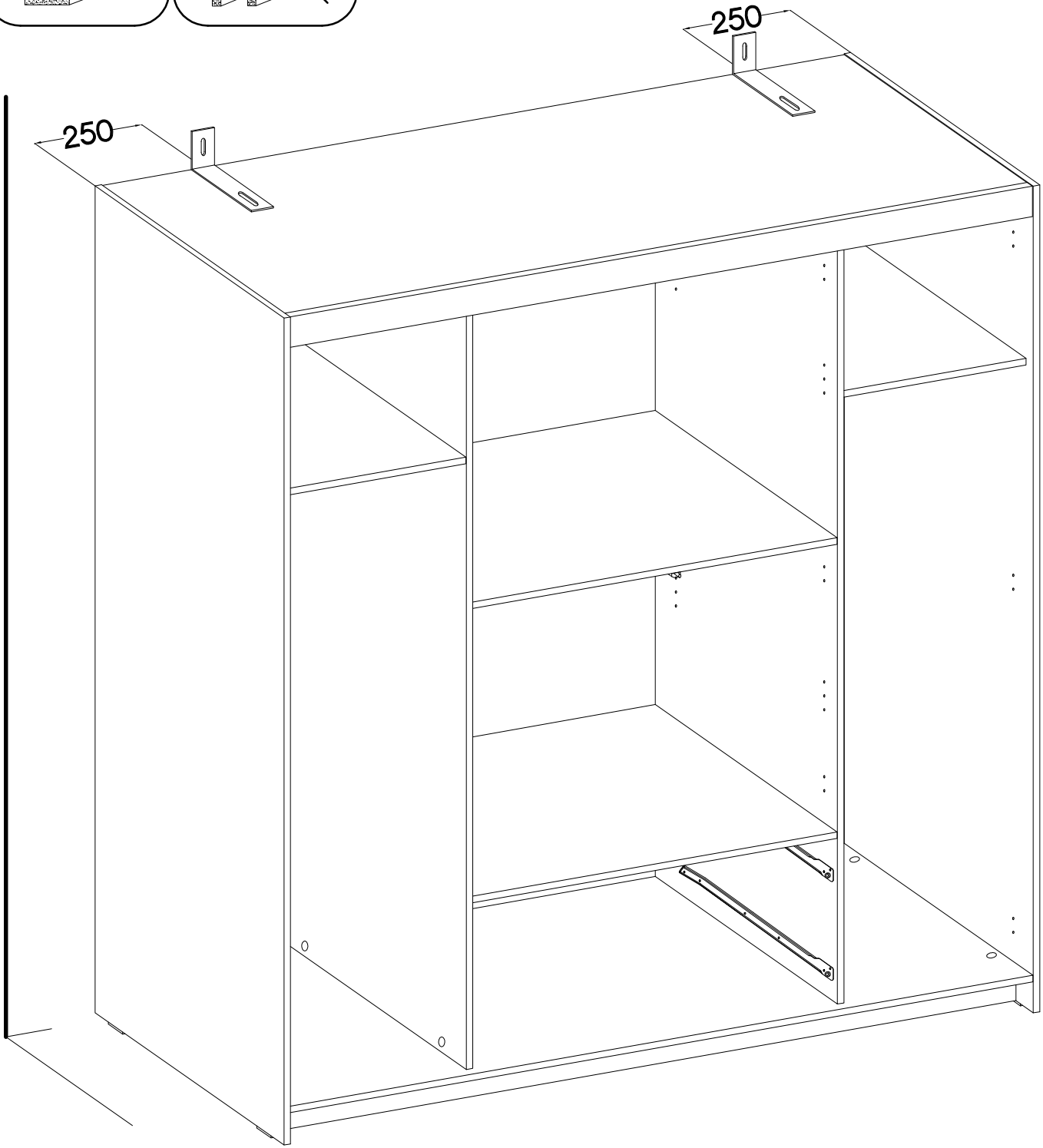
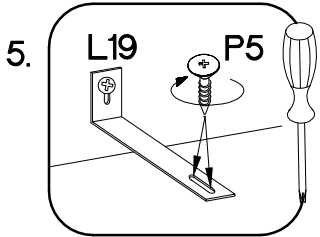
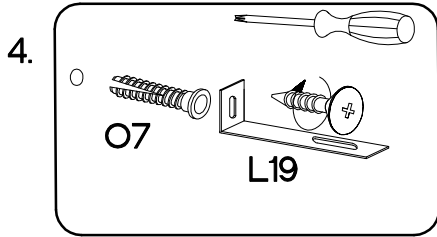
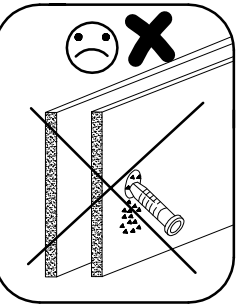
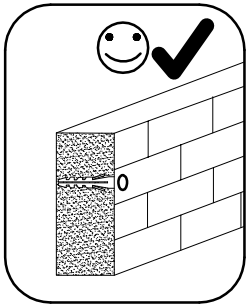
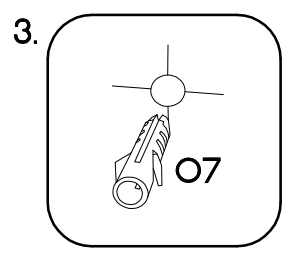
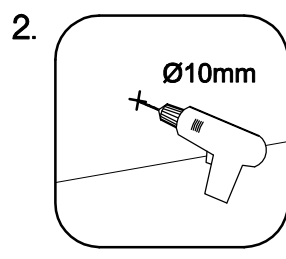
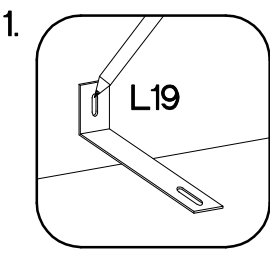
$\pm 3.0 \times 20 \text{mm}$  P7 95-100	 L2 24
-----------------------------------------------------------------------------------------------------------------------------------	----------------------------------------------------------------------------------------------

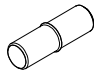
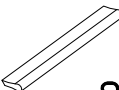



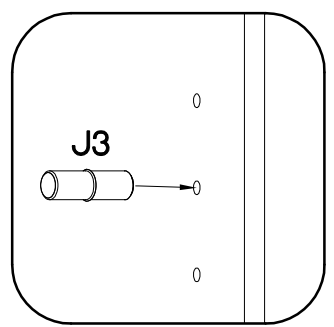
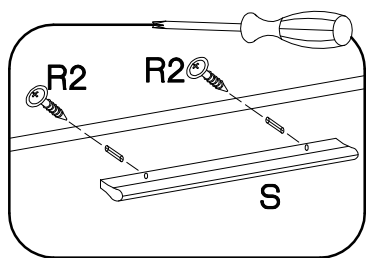
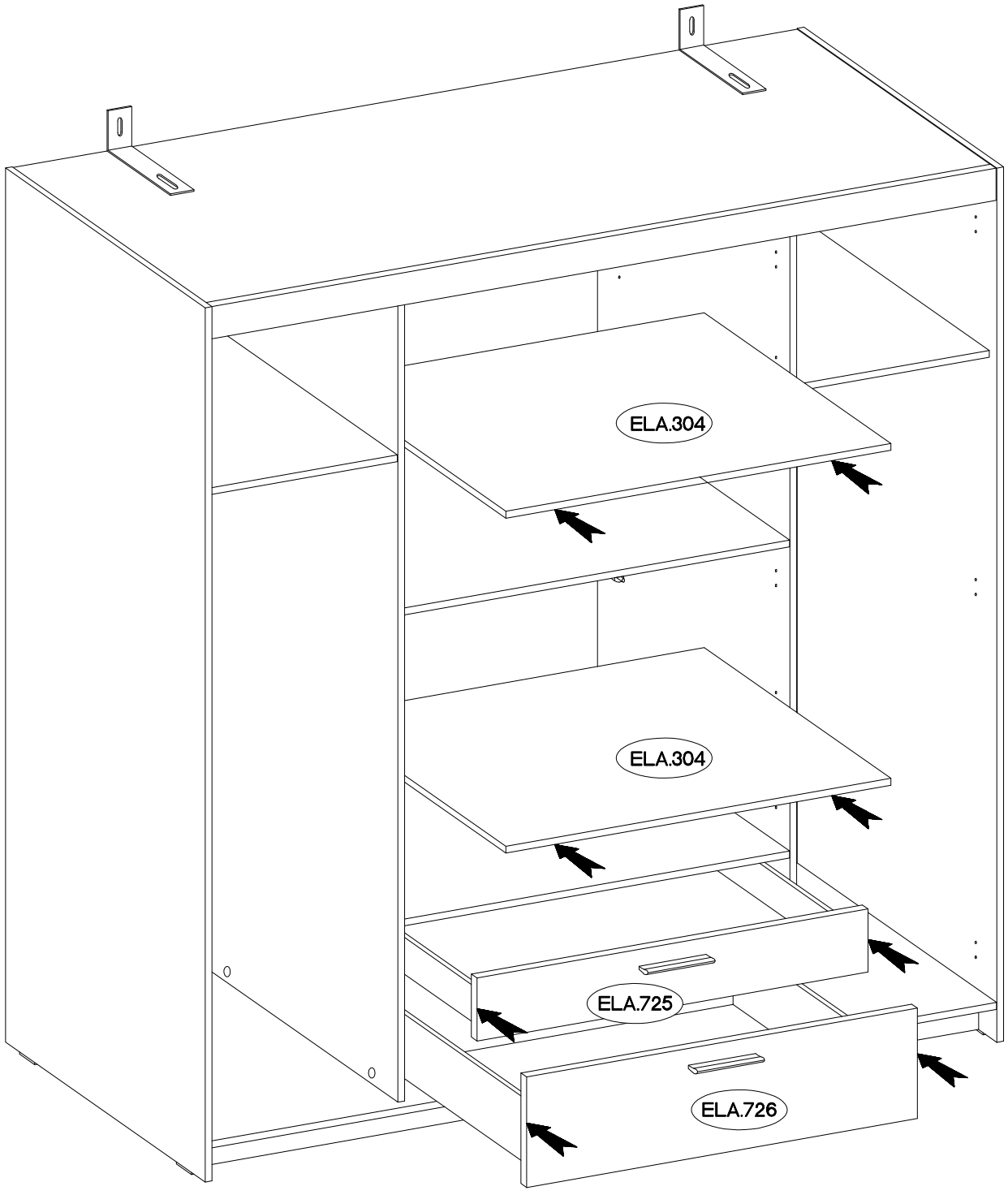
L=418mm 		±3.5x13mm 	
J2	J17	P5	E
2	4	4	28

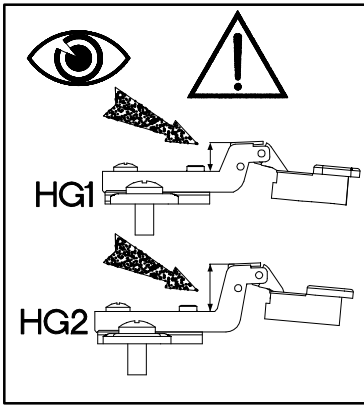


	†3.5x13mm	†5.0x60mm	†10x50mm
			
L19	P5	P12	O7
2	4	2	2

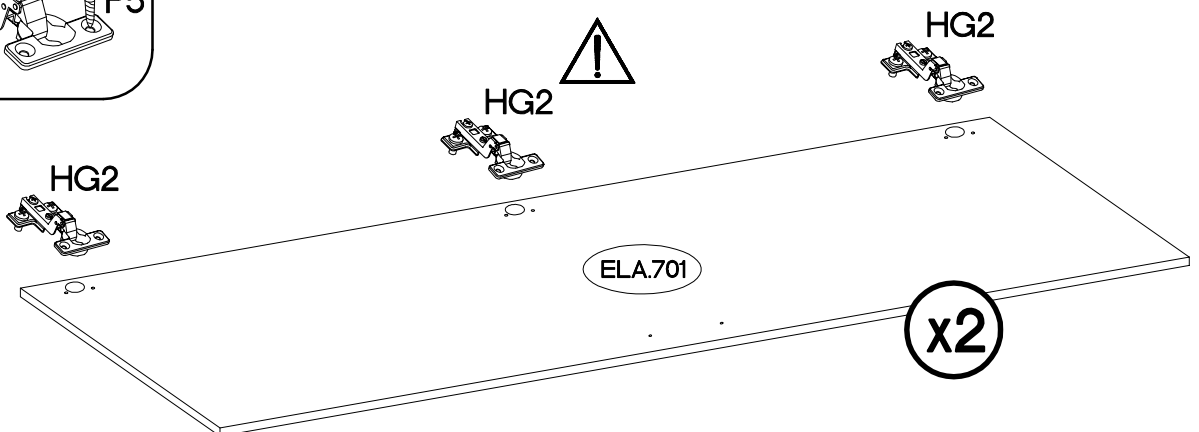
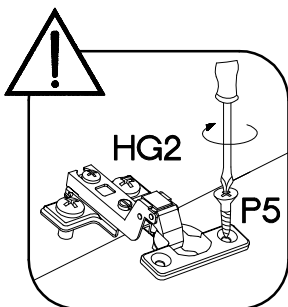
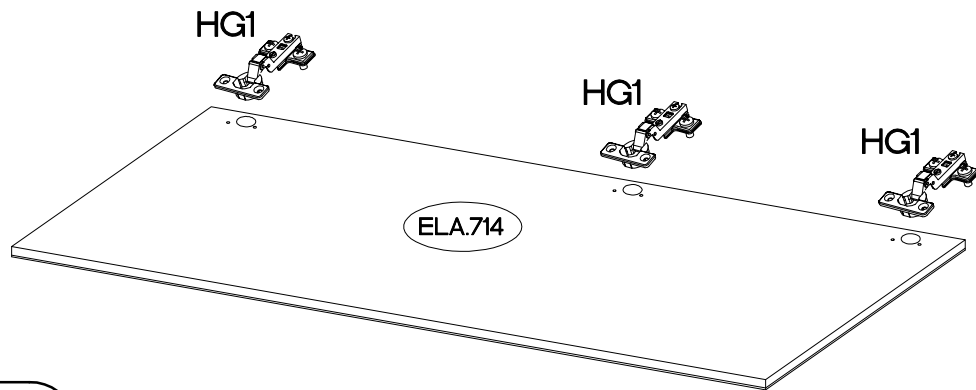
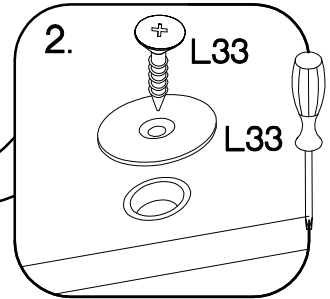
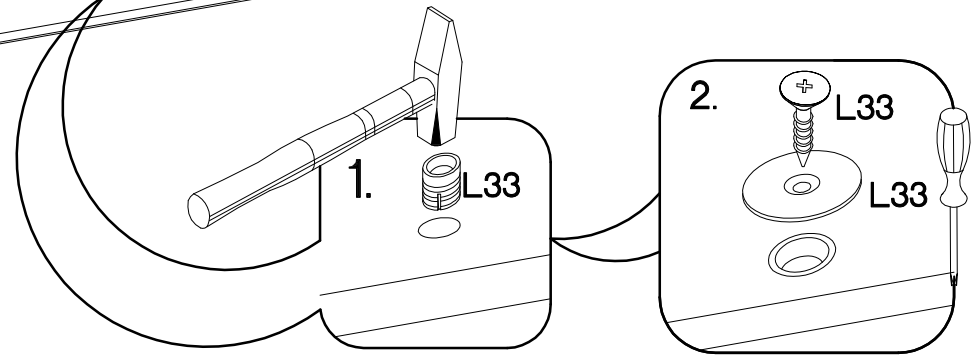
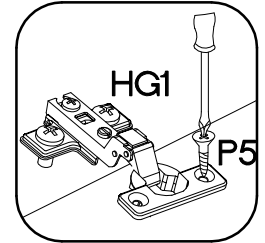
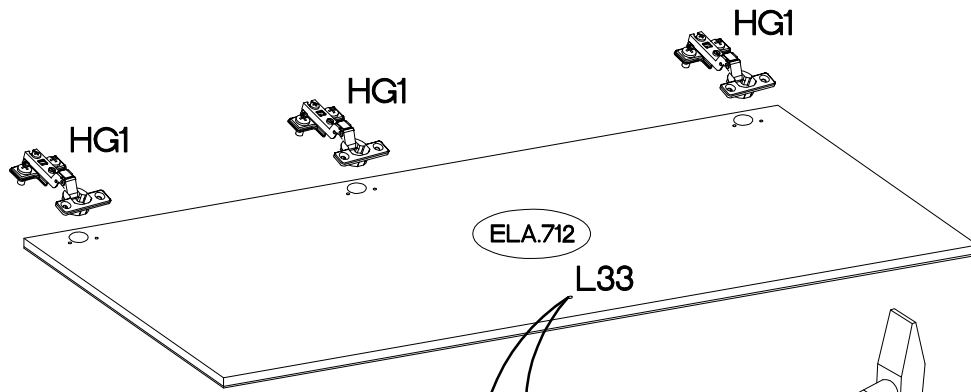
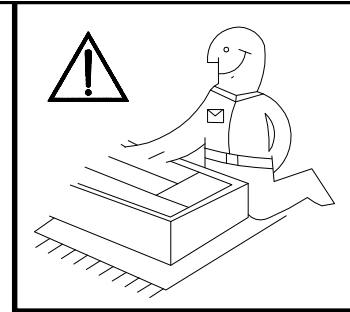


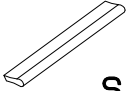

$\pm 5/16\text{mm}$  J3 8	L=128mm  S 2	$\pm 4.0 \times 30\text{mm}$  R2 4
--------------------------------------------------------------------------------------------------------------------	-------------------------------------------------------------------------------------------------------	-----------------------------------------------------------------------------------------------------------------------------

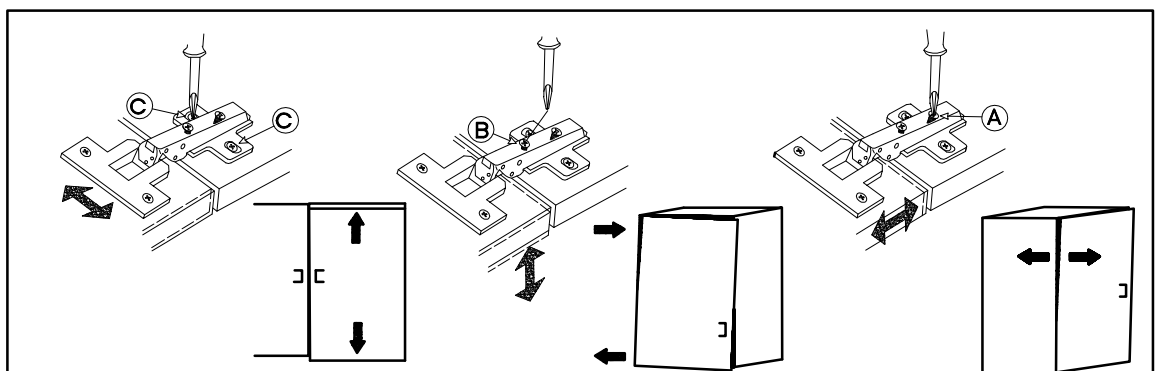
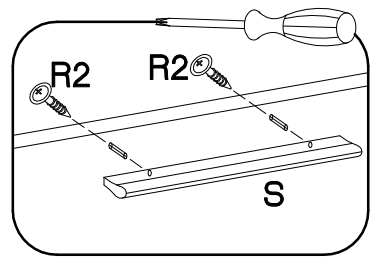
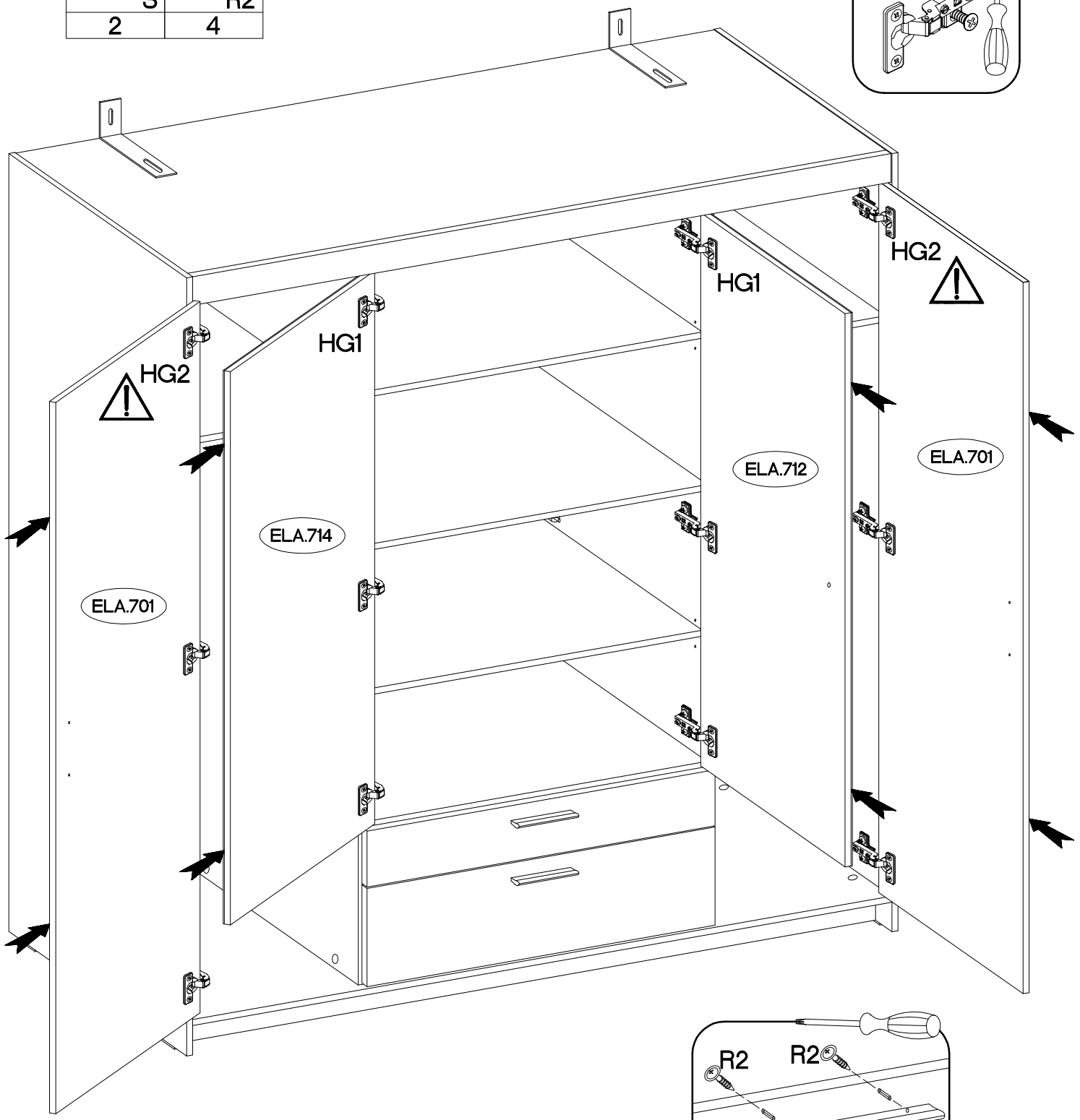
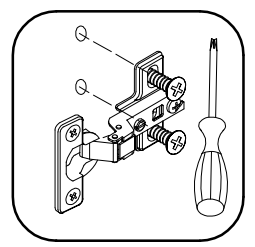


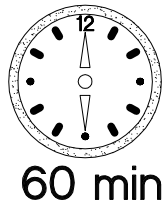
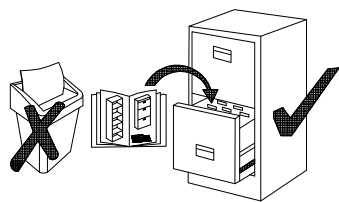
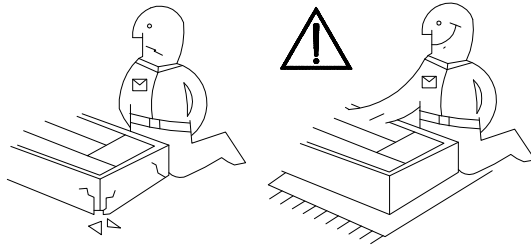
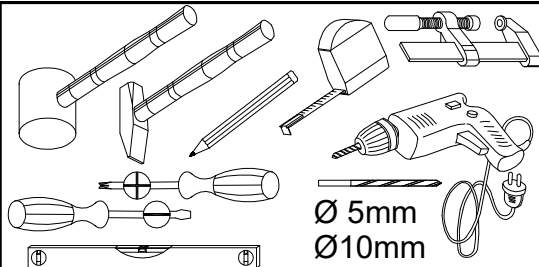
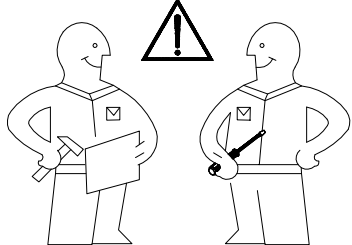


 +35/9mm H=0 HG1 6	 +35/16mm H=0 HG2 6	 +3.5x13mm P5 24	 L33 1
---------------------------------------	----------------------------------------	----------------------------------	---------------------

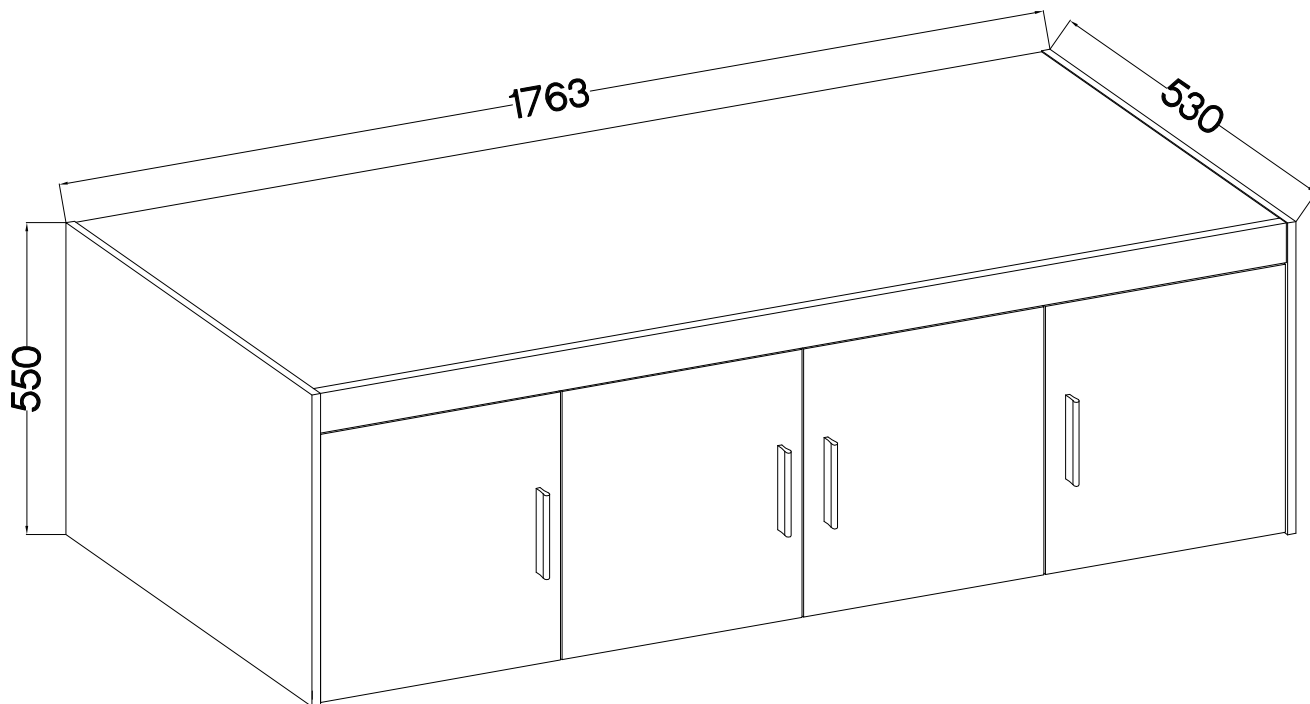
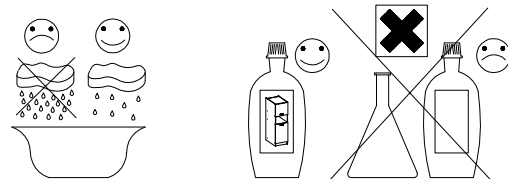






L=128mm	4.0x30mm
	
S	R2
2	4



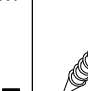
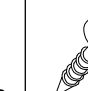






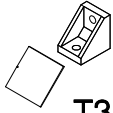




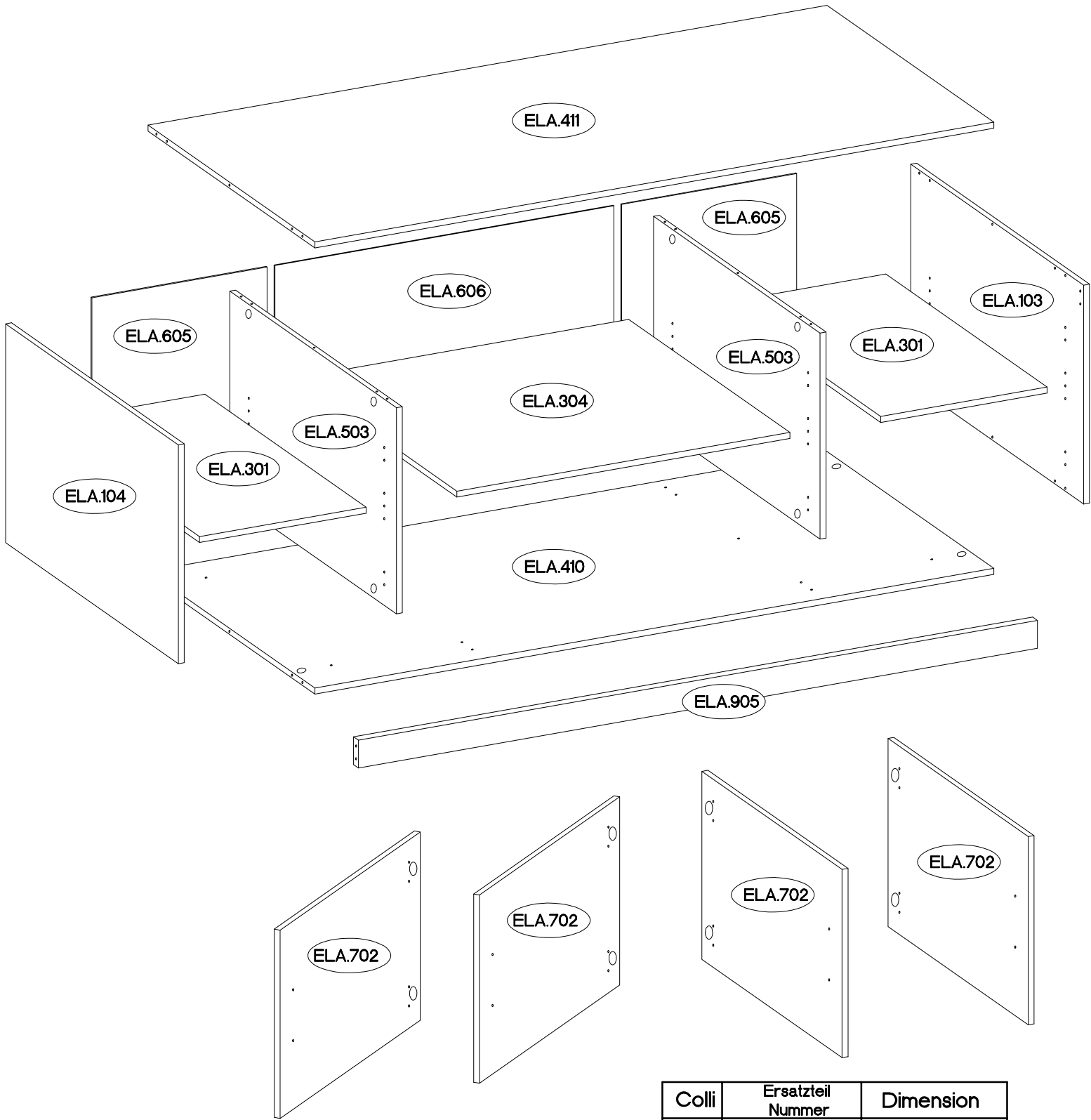
ELENA NA 4D



 A	 C	 D2	 E
28	16	16	16

 HG1	 HG2	 J3	 L2	 P1	 P5	 P7	 R	 R2	 S	 T3
4	4	12	6	4	16	40	4	8	4	2

P-ISM-ELA-06

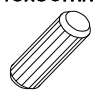
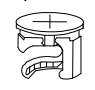

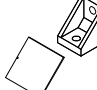



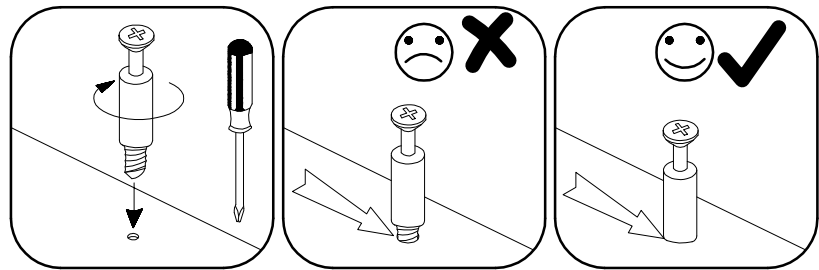
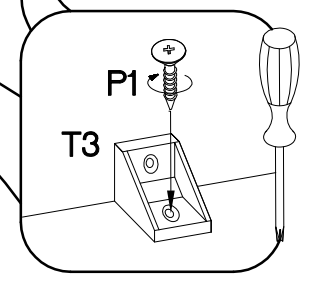
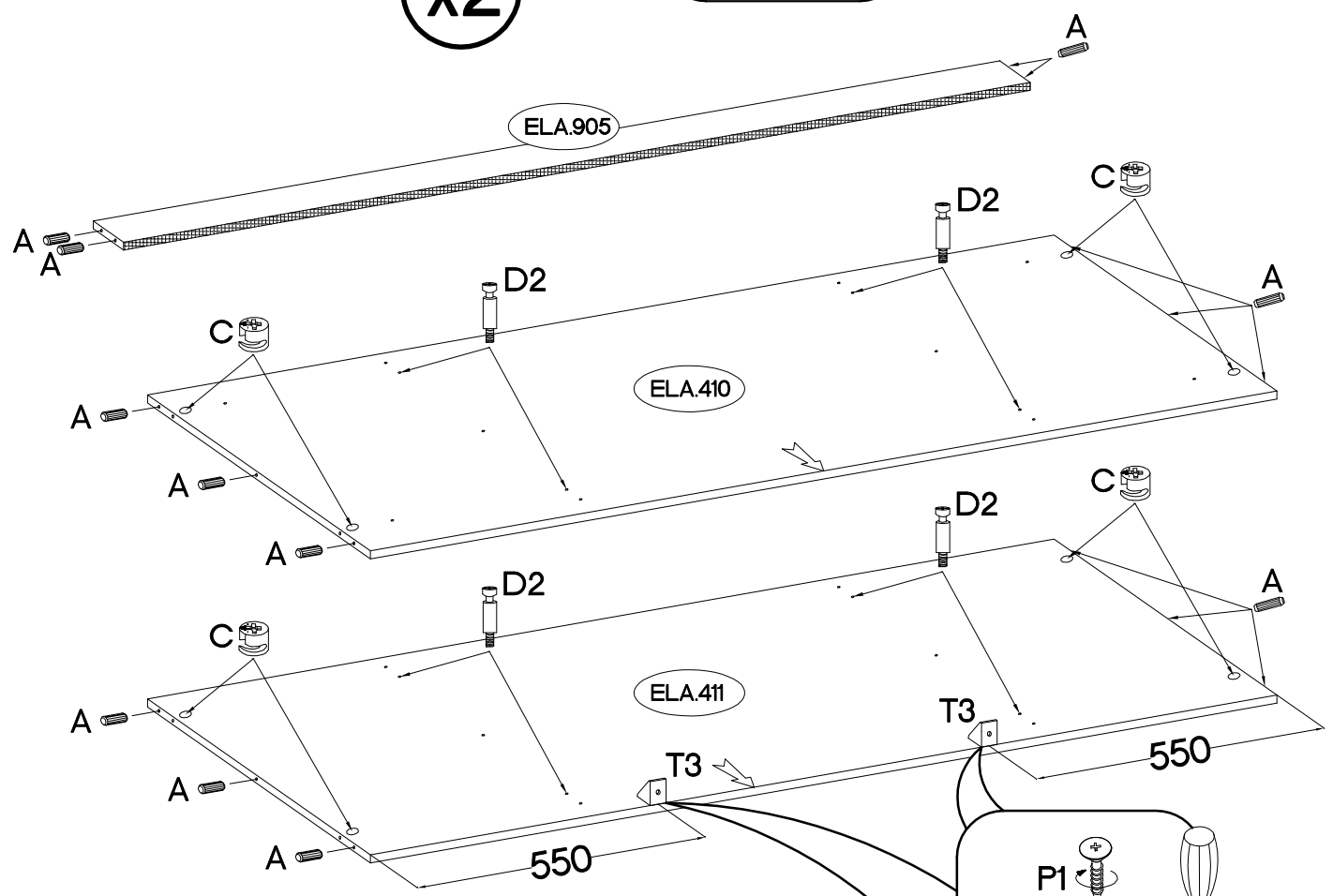
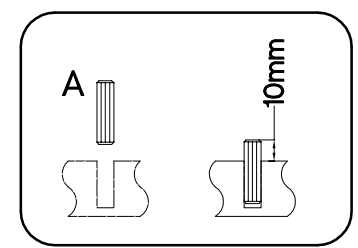
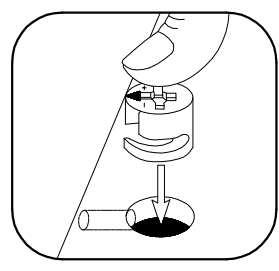
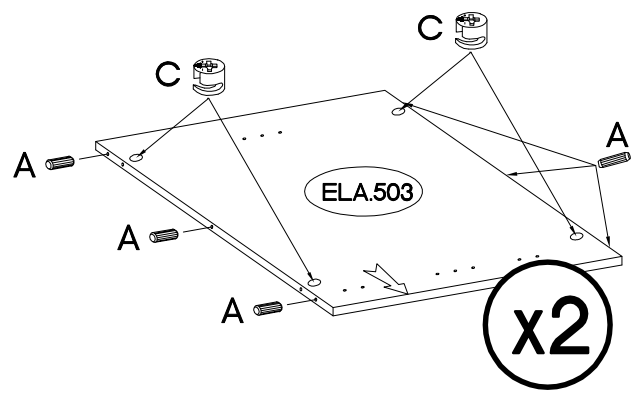
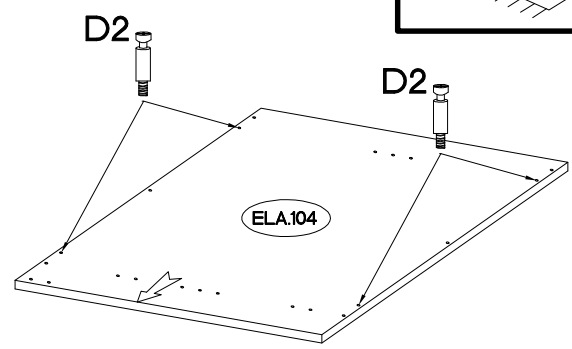
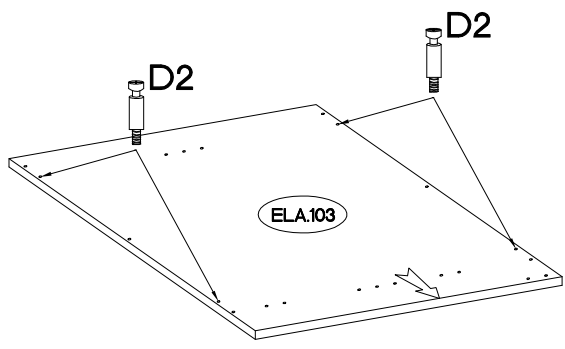
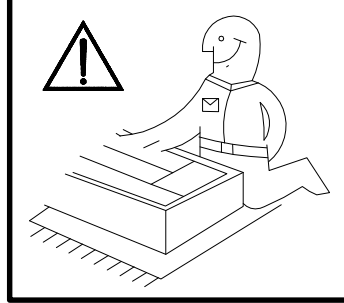
ELA.301

ELA.304

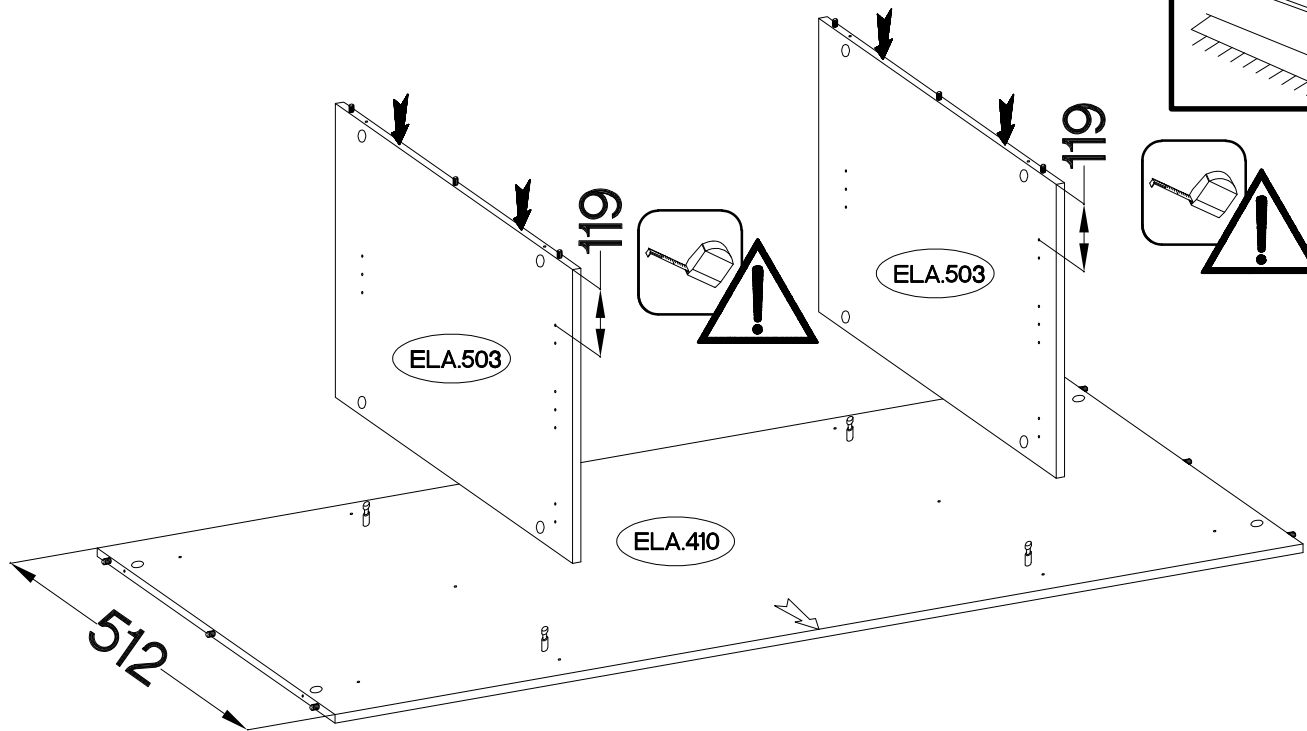
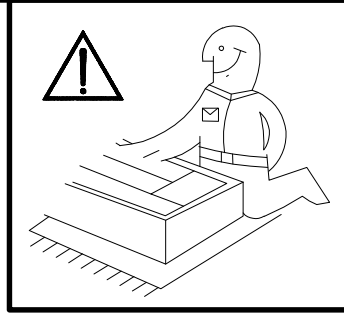
Colli	Ersatzteil Nummer	Dimension
Colli 1/2	ELA.103	550x530x15
	ELA.104	550x530x15
	ELA.301 x2	425x495x15
	ELA.304	850x495x15
	ELA.503 x2	518x511x15
	ELA.702 x4	473x430x15

Colli	Ersatzteil Nummer	Dimension
Colli 2/2	ELA.410	1733x512x15
	ELA.411	1733x512x15
	ELA.605	546x447x2.5
	ELA.606	546x865x2.5
	ELA.905	1733x70x15

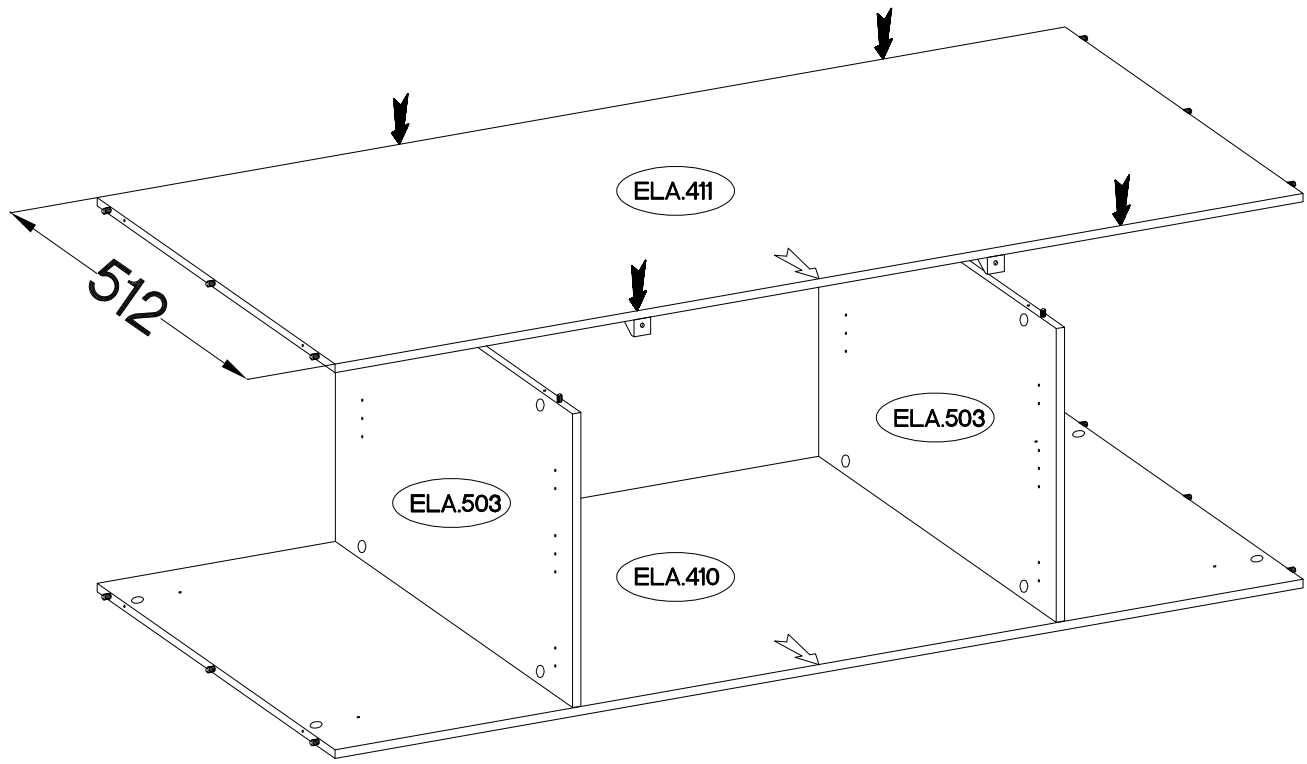
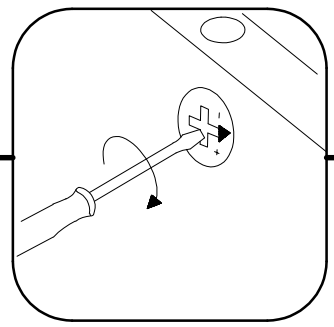
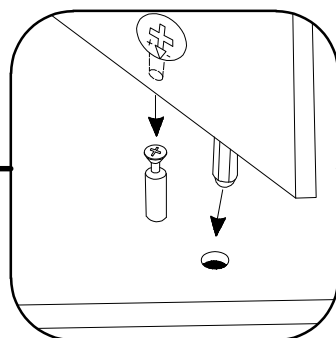
 <p>±8x30mm A</p>	 <p>±15/12mm C</p>	 <p>L=20mm D2</p>	 <p>±4.0x16mm T3</p>	 <p>±4.0x16mm P1</p>
28	16	16	2	2



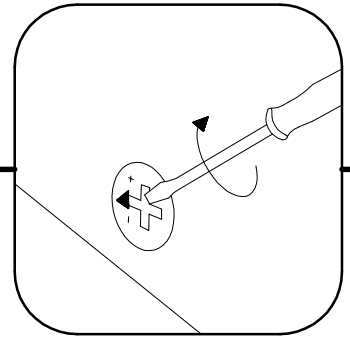
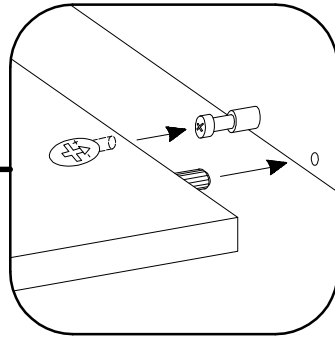
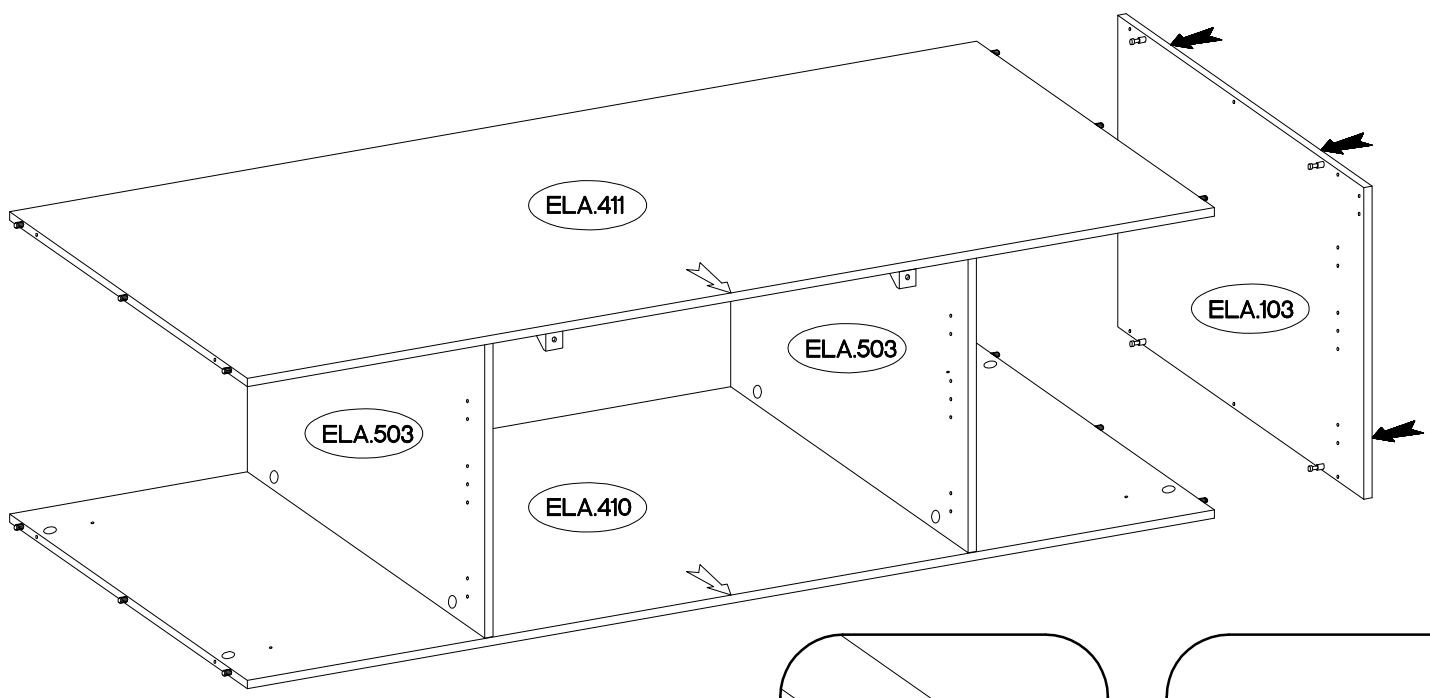
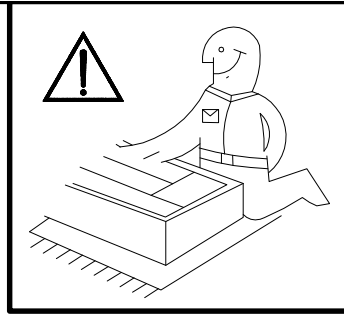
2



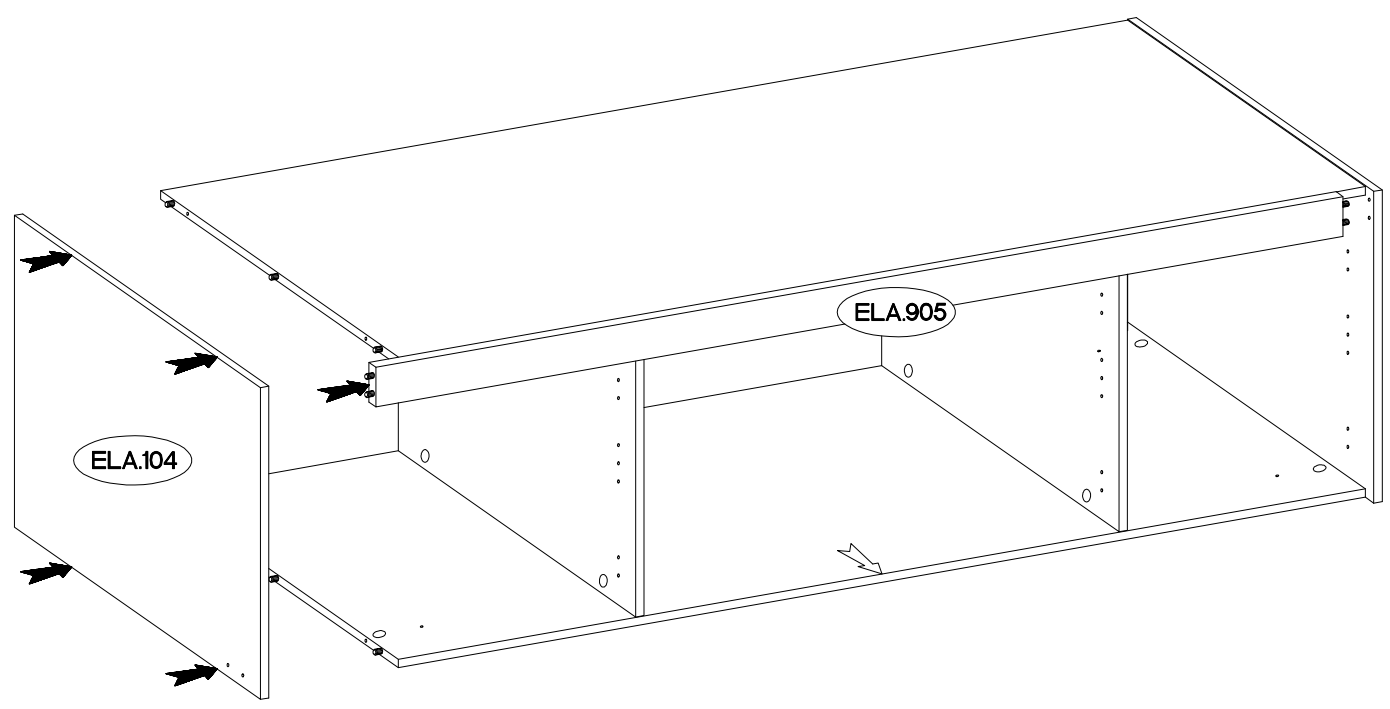
3



4



5



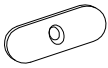
6

±3.0x20mm



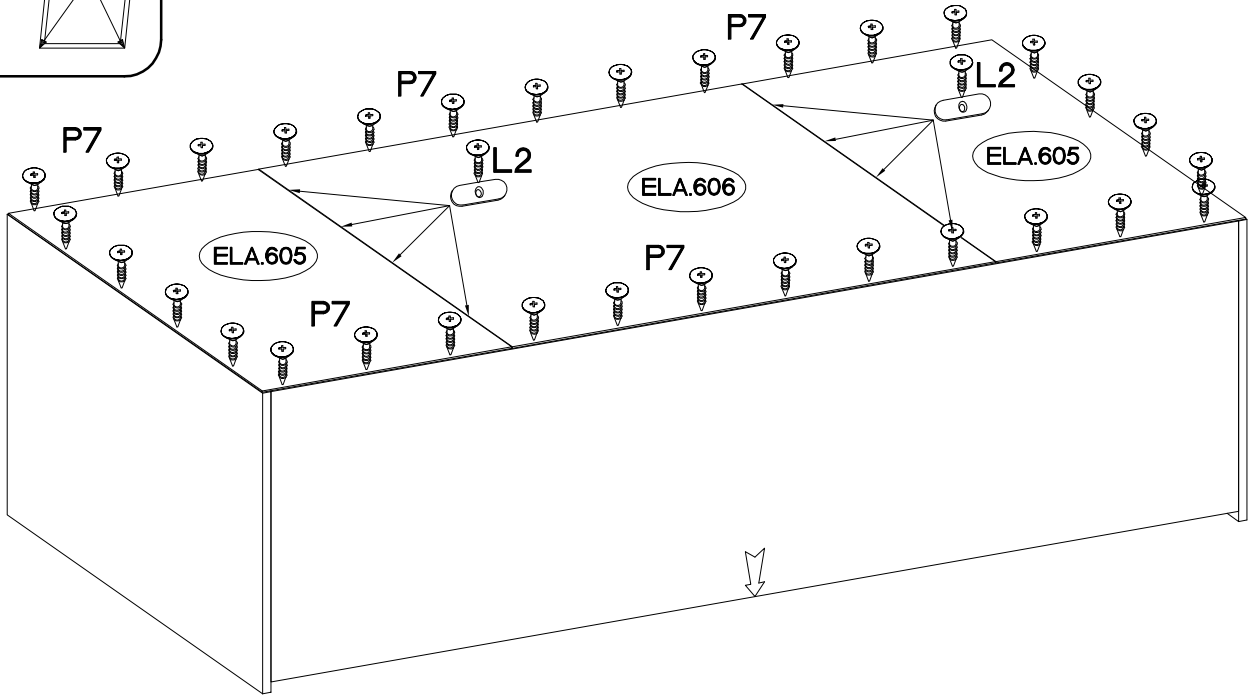
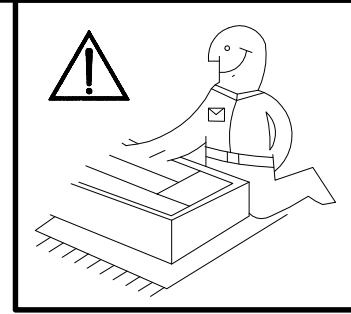
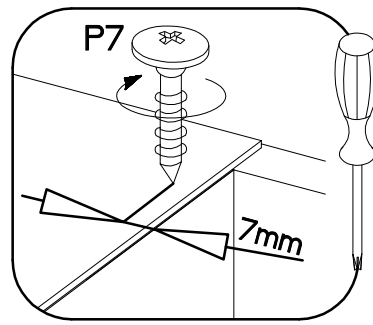
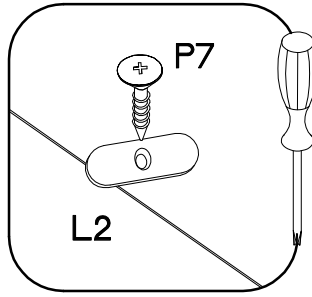
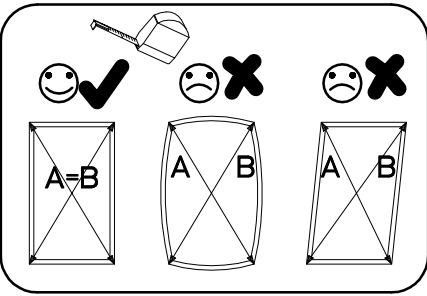
P7

40



L2

6



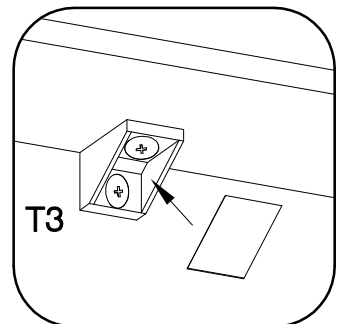
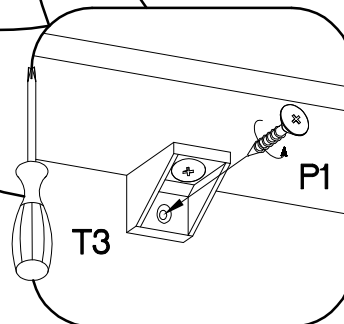
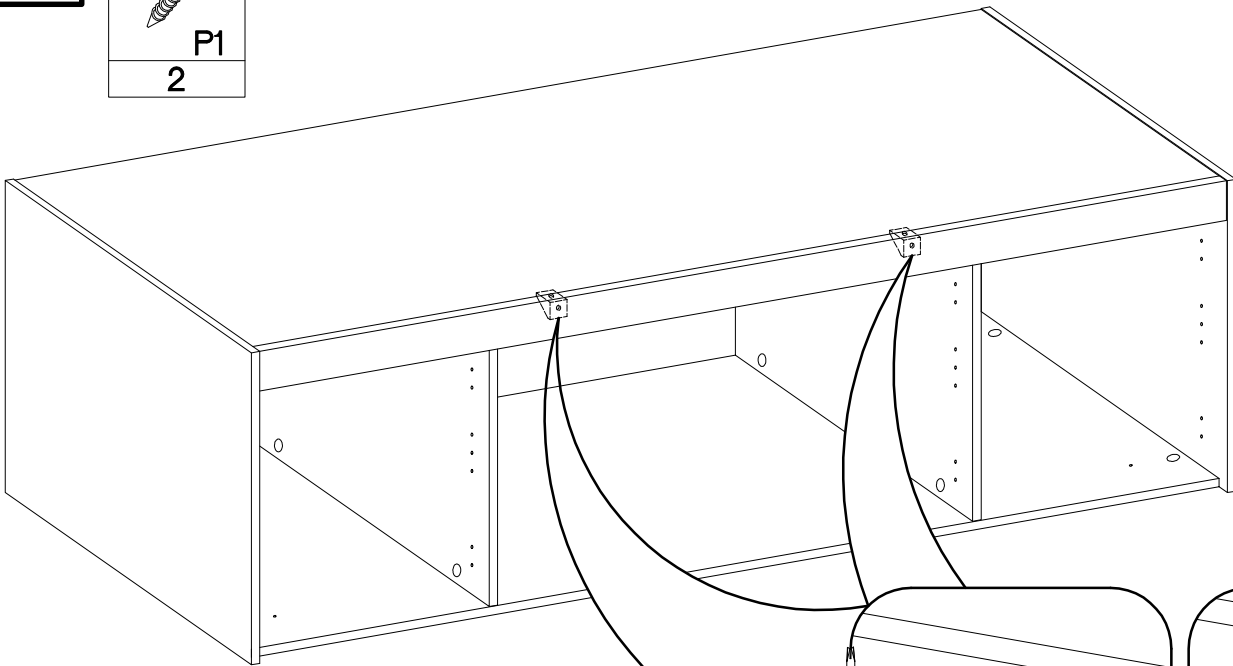
7

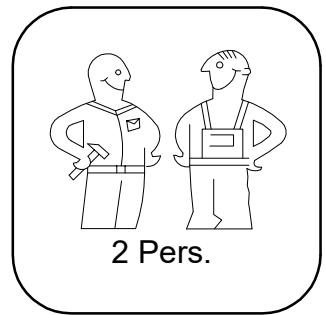
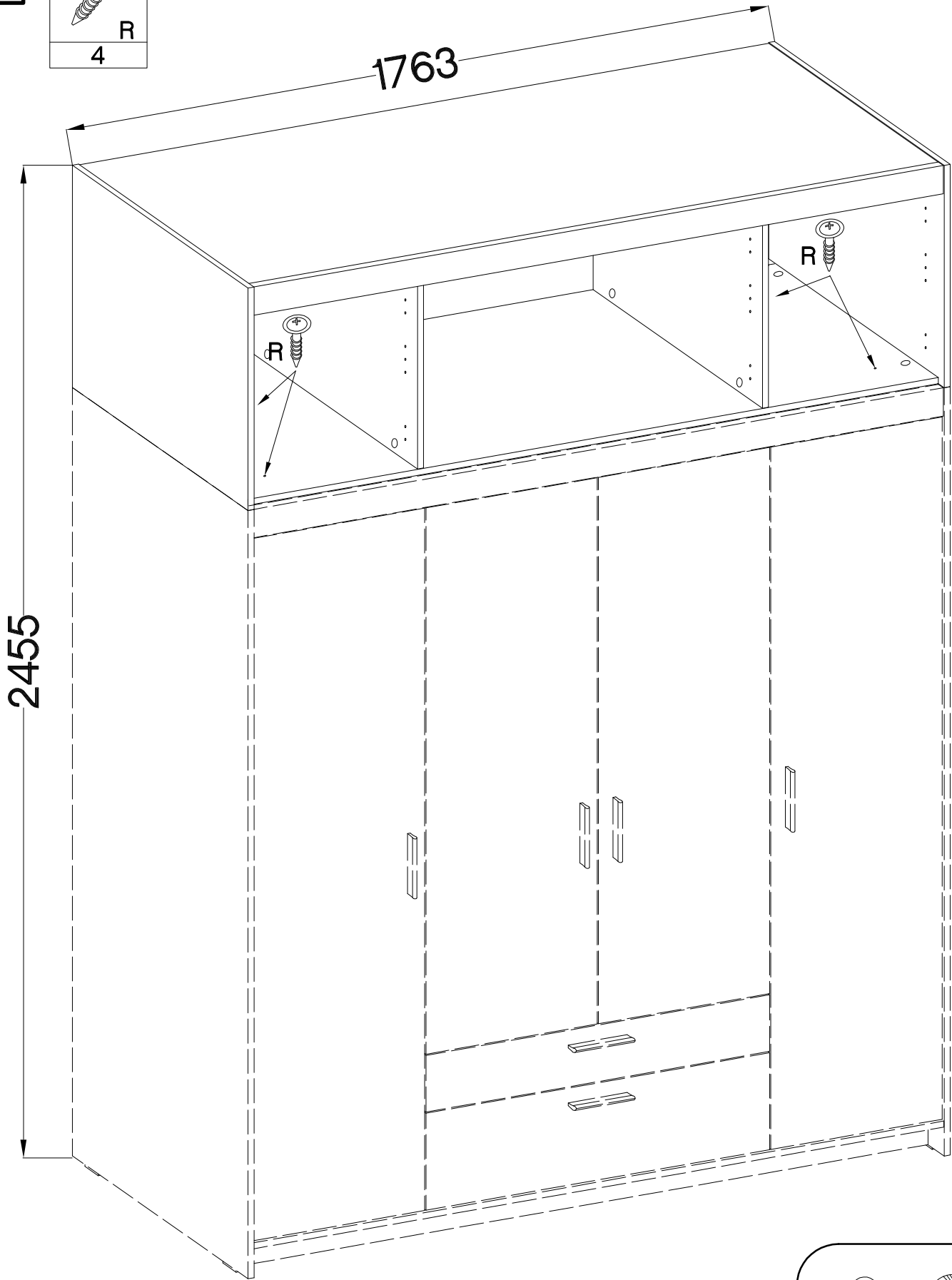
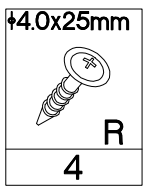
±4.0x16mm



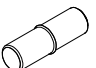

P1

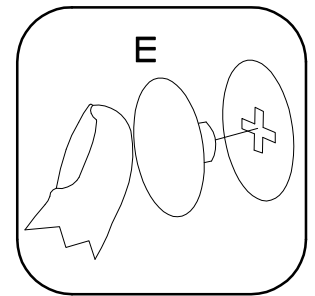
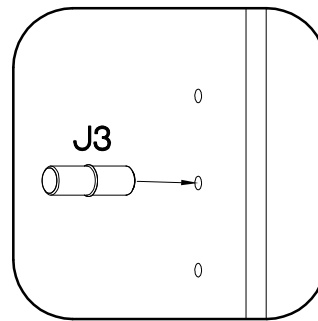
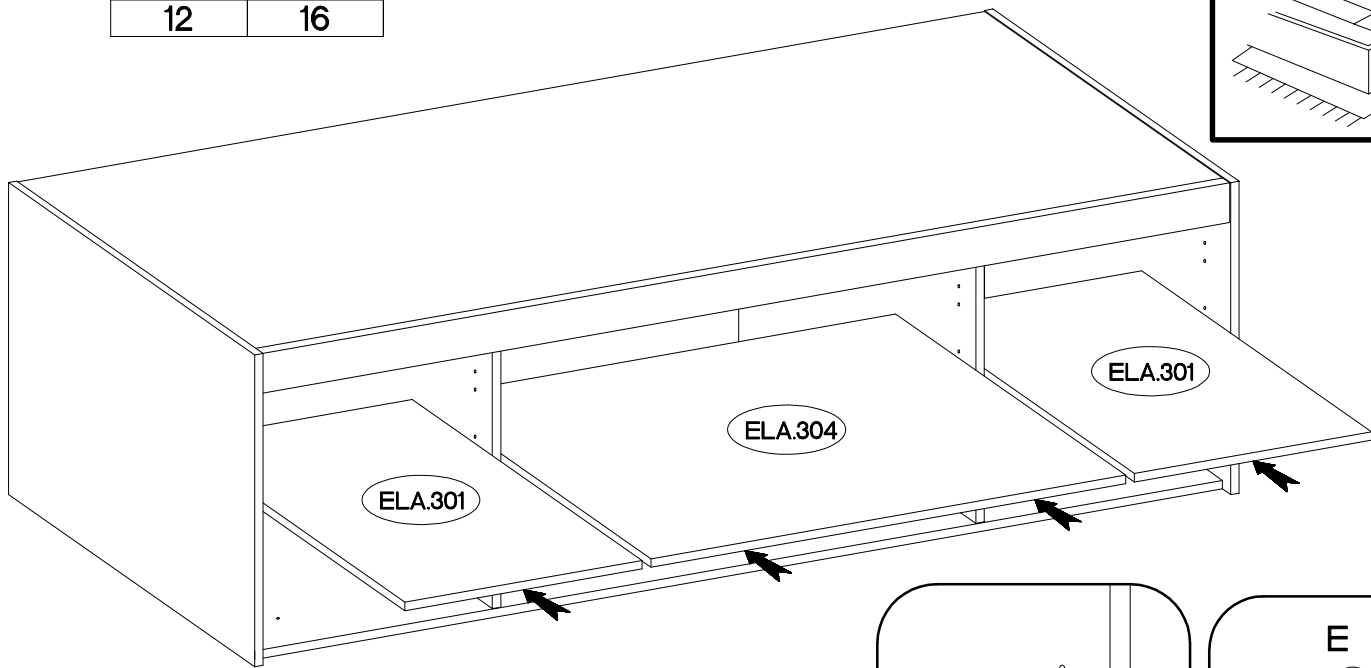
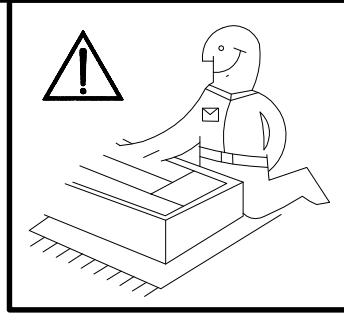
2



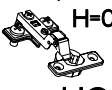




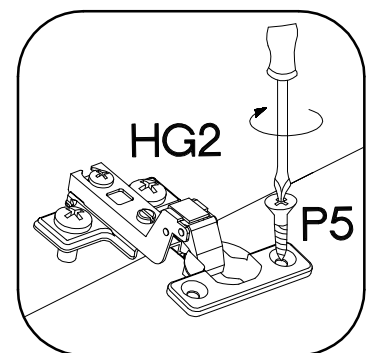
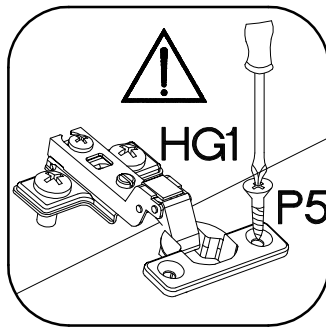
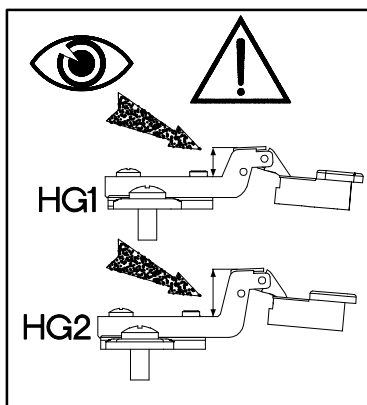
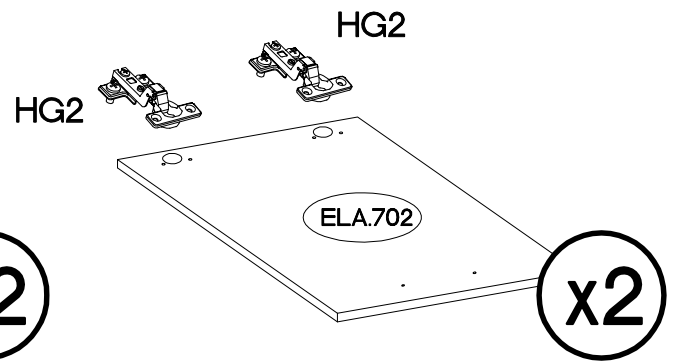
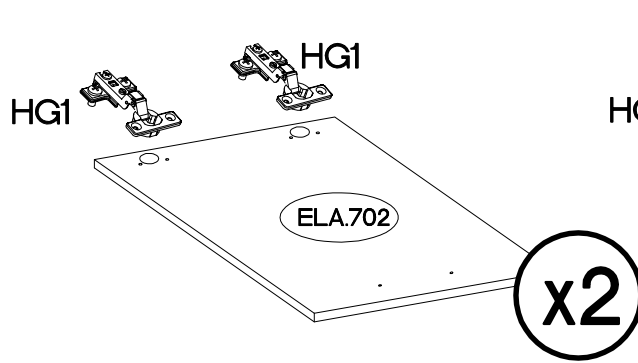
9

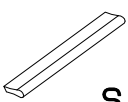

$\pm 5/16\text{mm}$ 	
J3 12	E 16



10

$\pm 35/9\text{mm}$ 	$\pm 35/16\text{mm}$ 	$\pm 3.5 \times 13\text{mm}$ 
HG1 4	HG2 4	P5 16



L=128mm	4.0x30mm
	
S	R2
4	8

