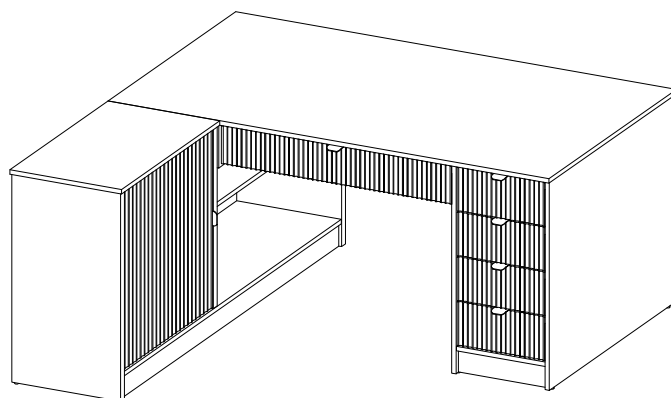
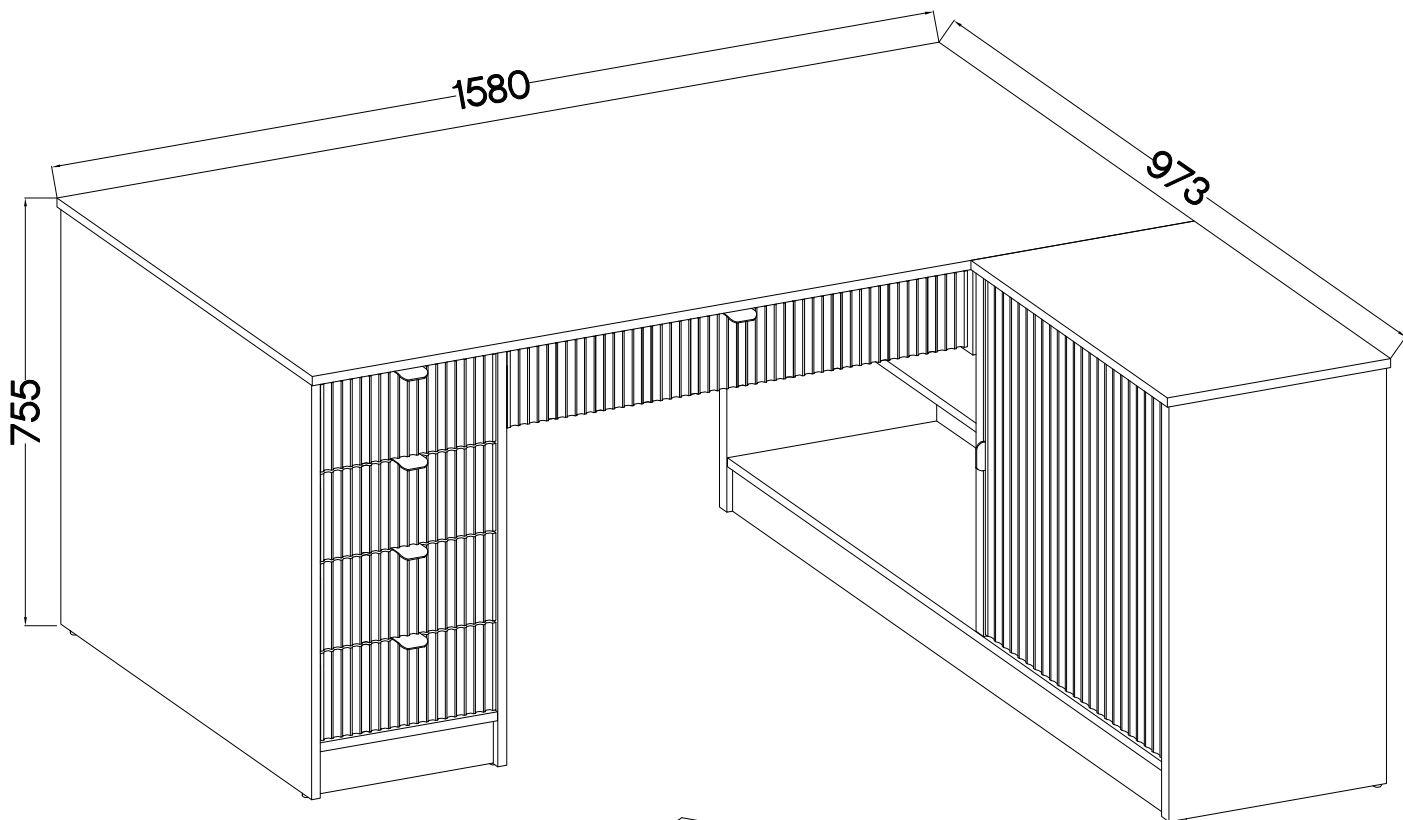
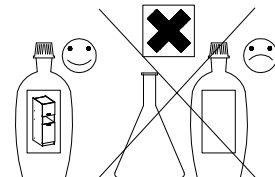


120 min

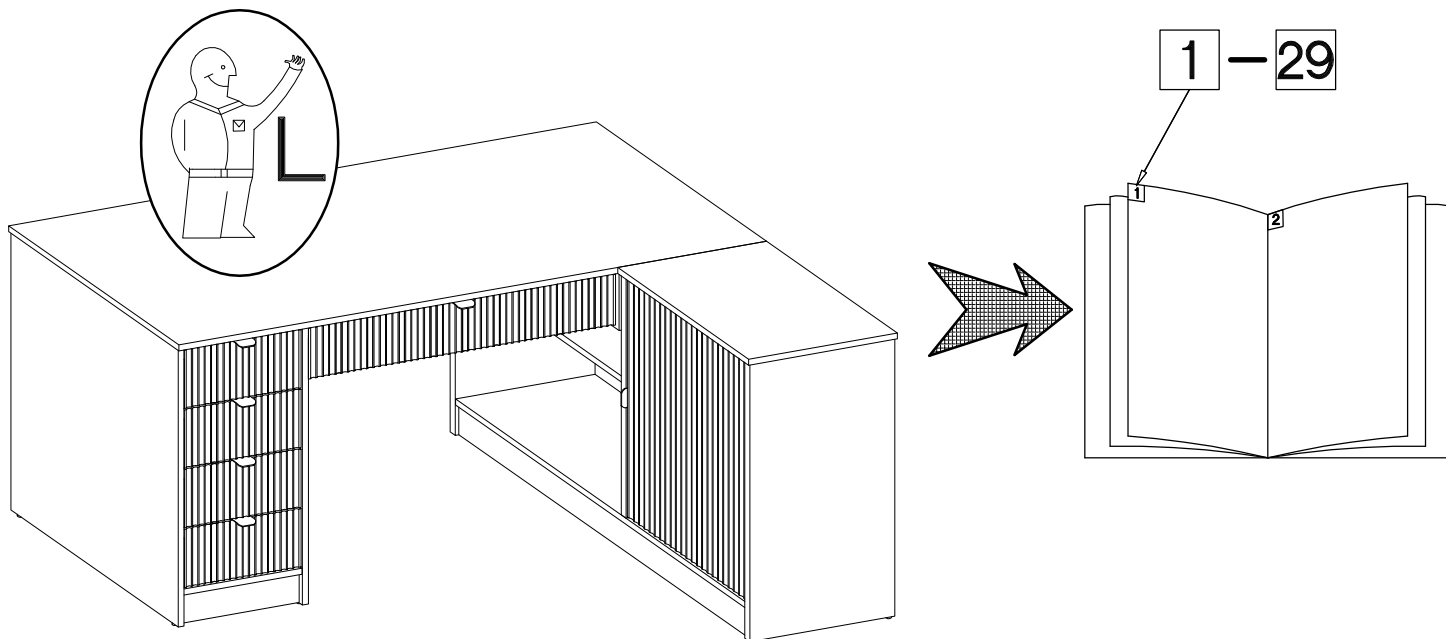
TIRENO Nar



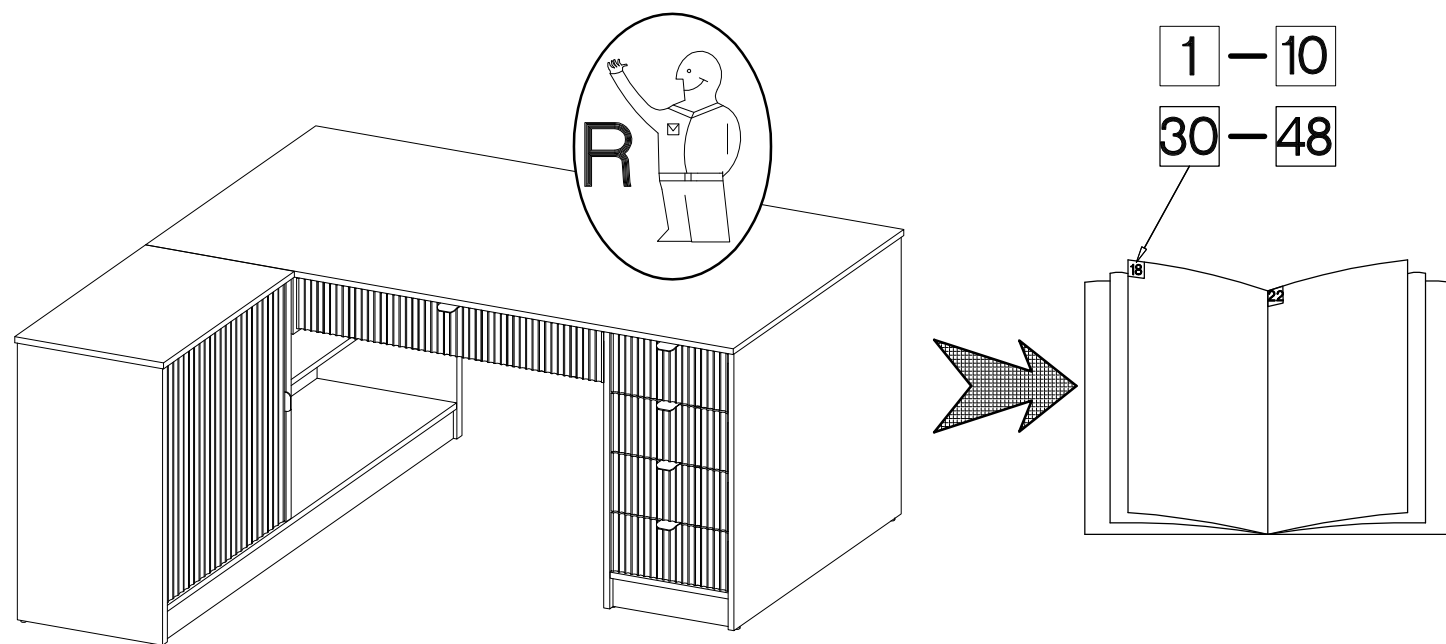
 A 48	 B2 10	 C 30	 C5 10	 D9 40	 E 12	 E2 2	 F4 8	 HG2 2	 I4 5	 J3 8
 J12 1	 L 12	 L2 4	 M2 20	 P1 2	 P5 4	 P7 15	 R 4	 S 6	 T3 1	 U1 10

ISM-ADA-010


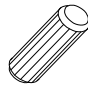
VARIANT L

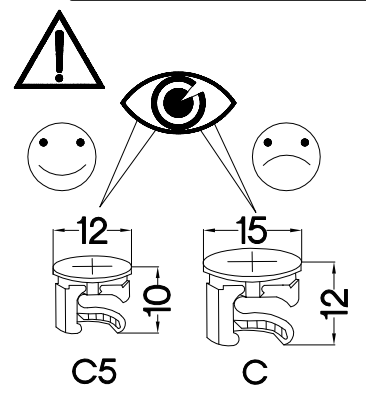
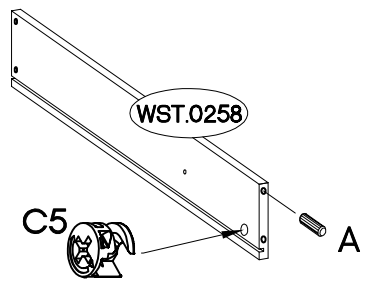
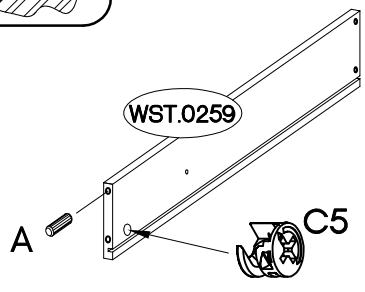
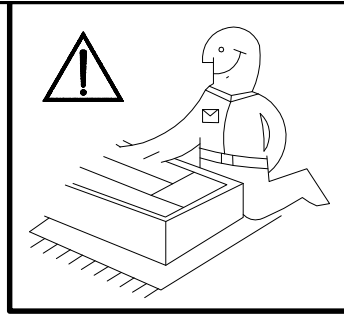
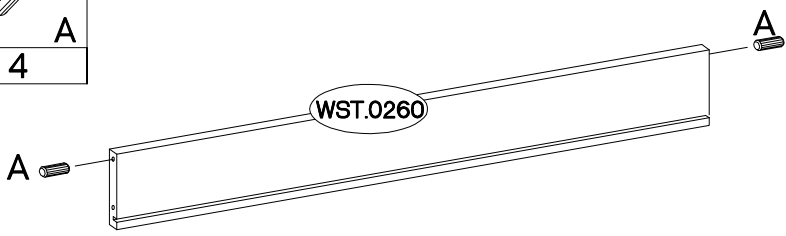
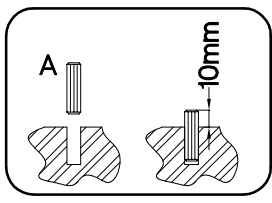


VARIANT R




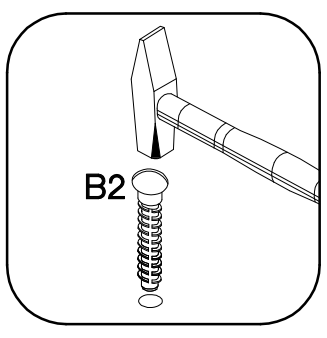
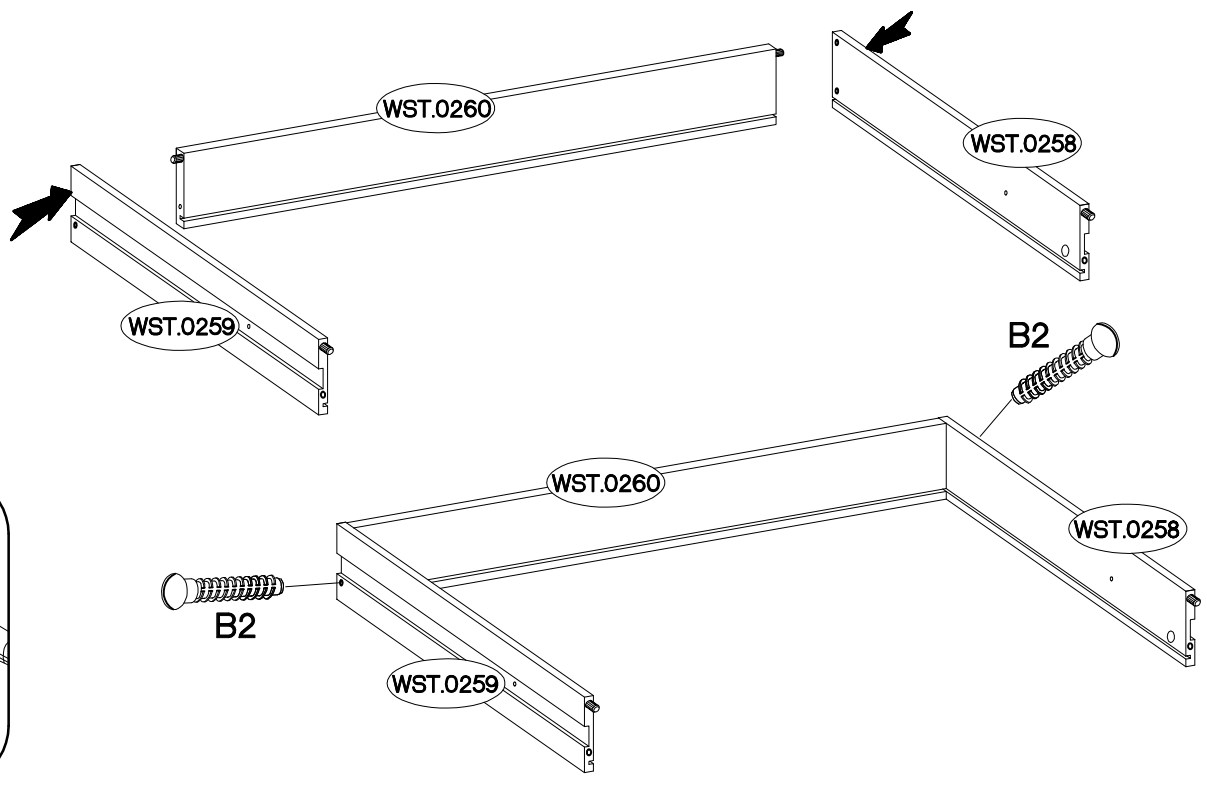
1

$\pm 12/10\text{mm}$  C5 2	$\pm 8 \times 30\text{mm}$  A 4
--	---

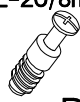


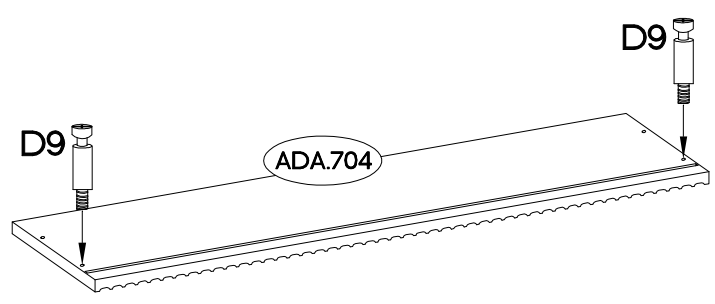
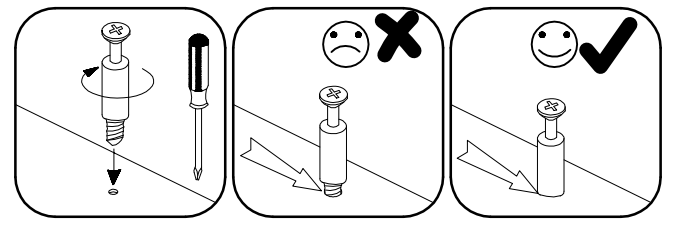
2

$\pm 6 \times 42\text{mm}$  B2 2

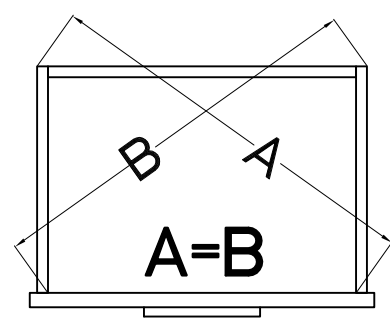
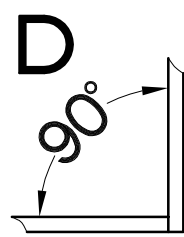
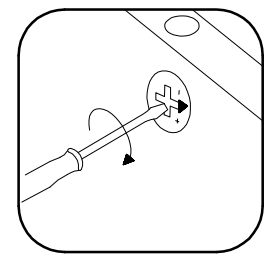
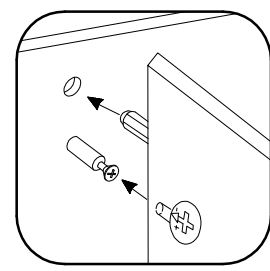
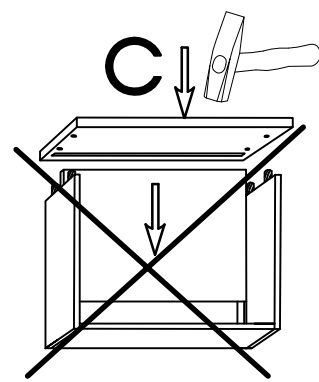
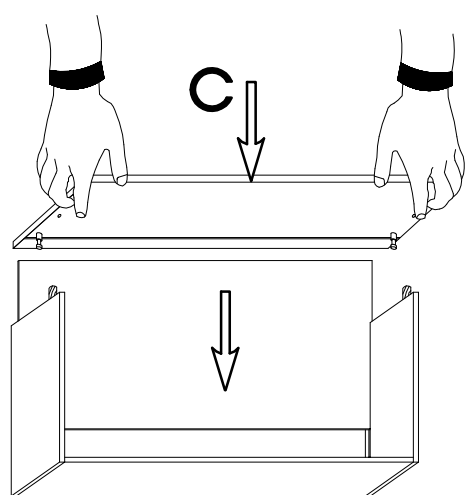
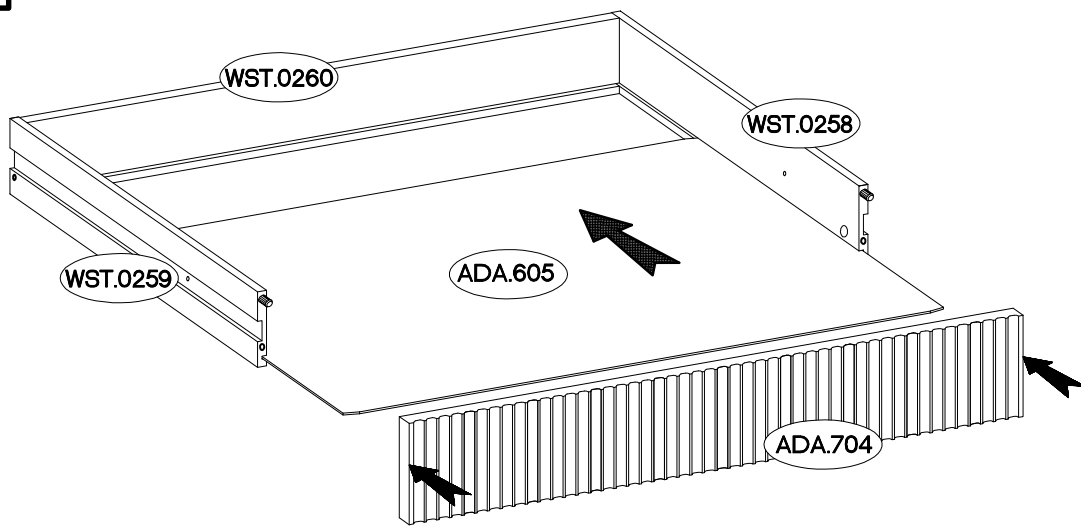
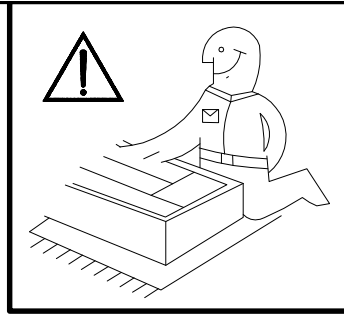


3

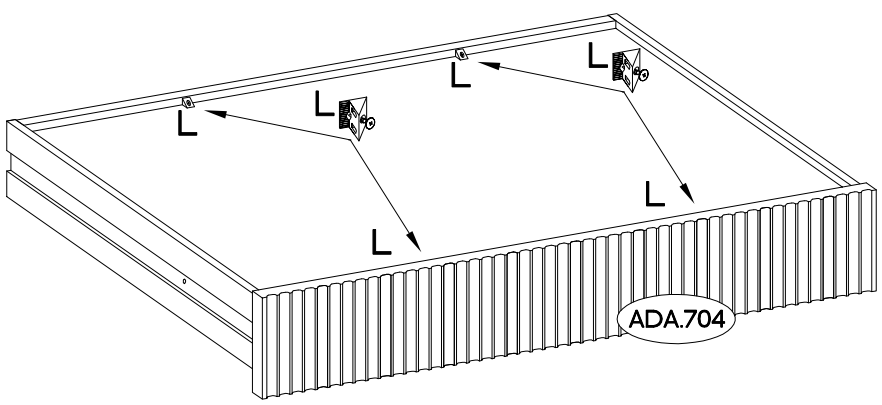
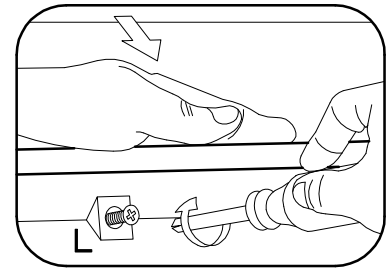
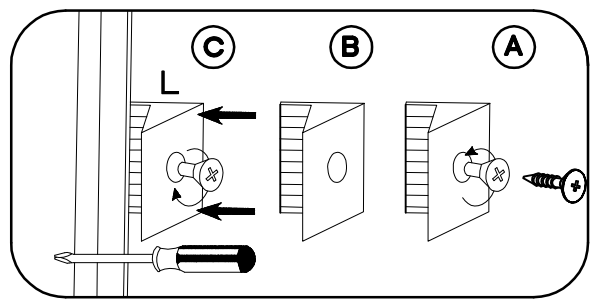
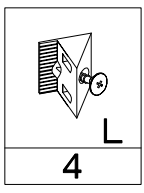
$L=20/8\text{mm}$  D9 2
--




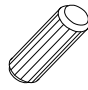
4

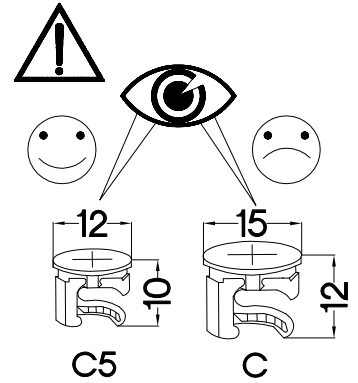
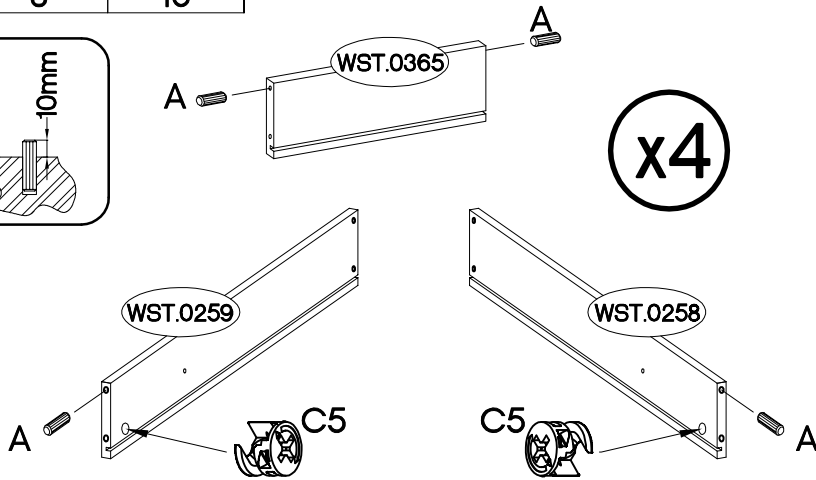
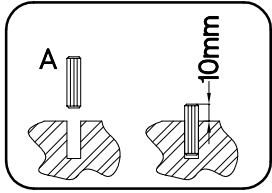
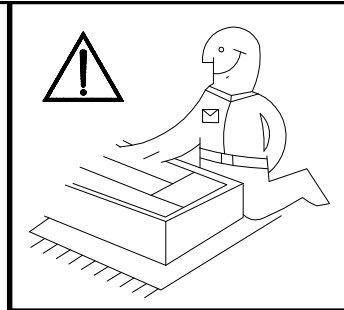


5




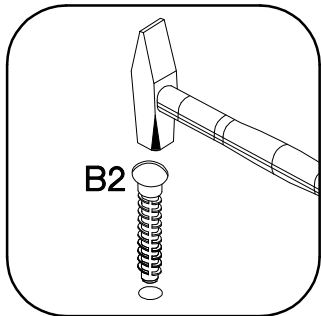
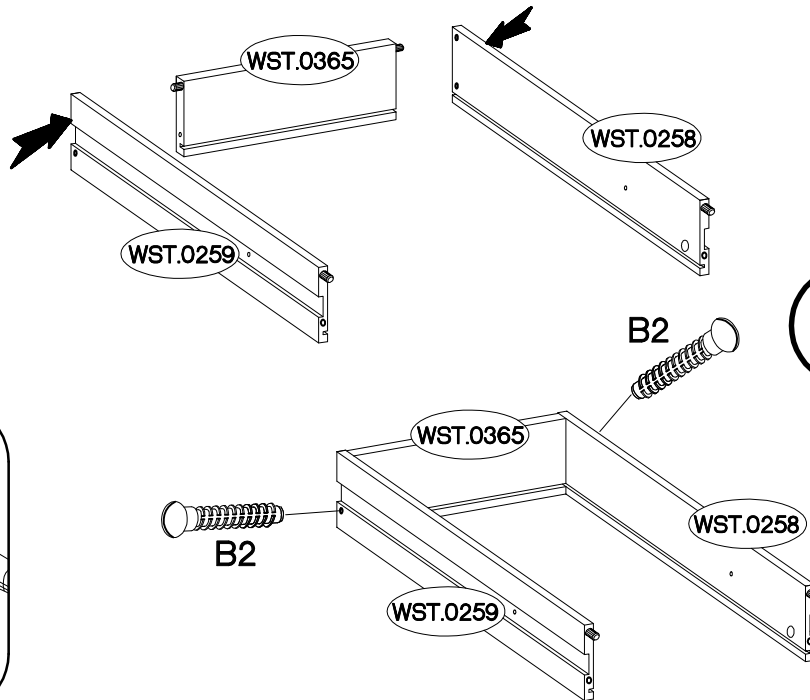
6

±12/10mm  C5 8	±8x30mm  A 16
---	--

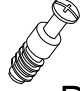


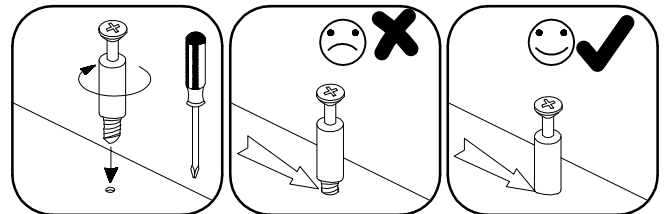
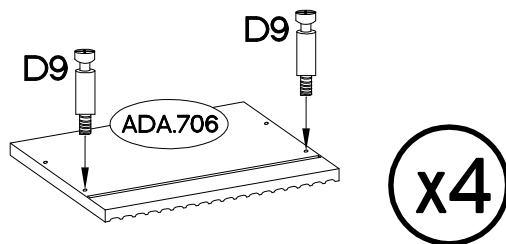
7

±6x42mm  B2 8

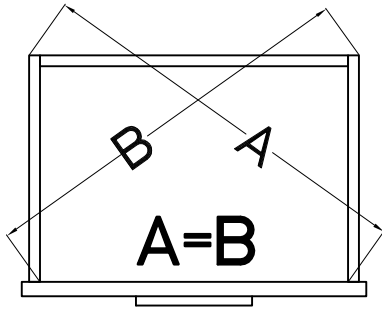
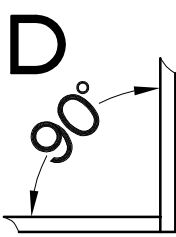
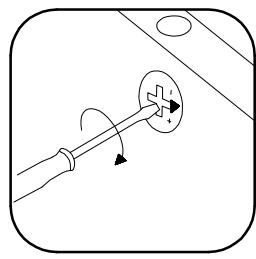
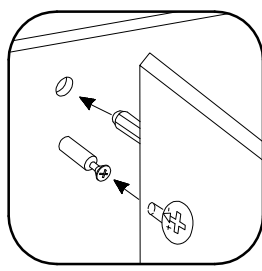
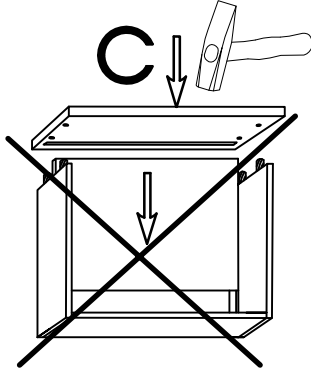
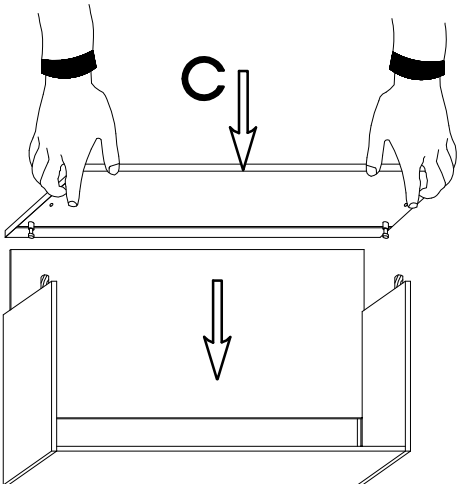
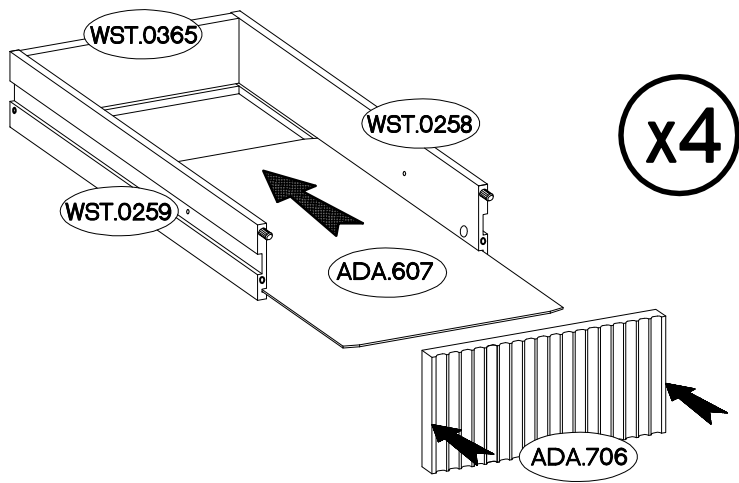
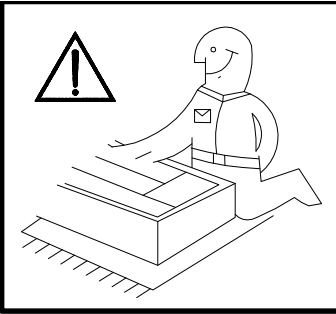


8

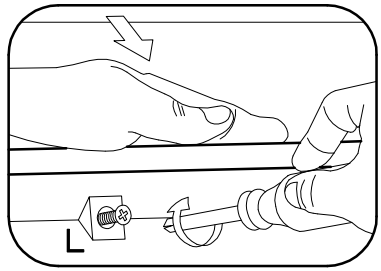
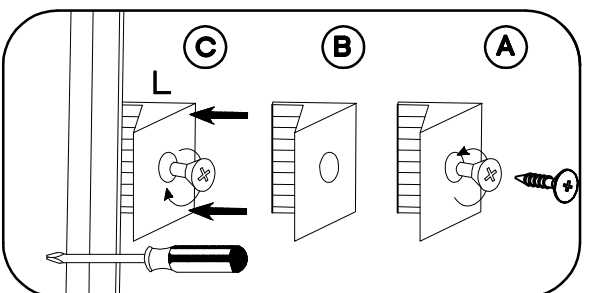
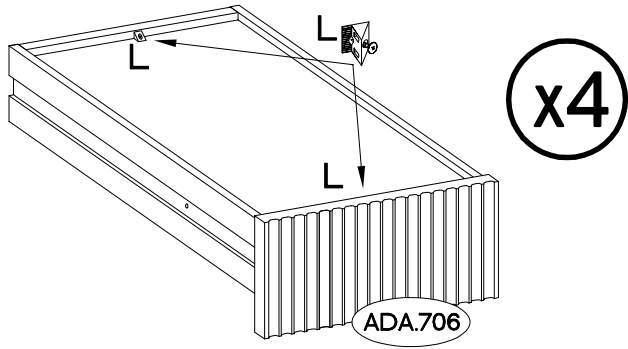
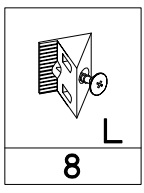
L=20/8mm  D9 8
--









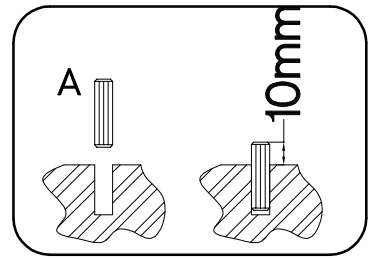
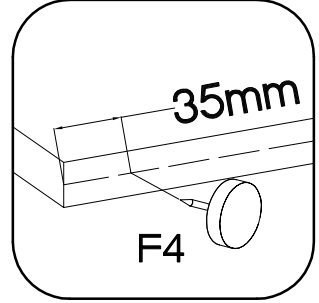
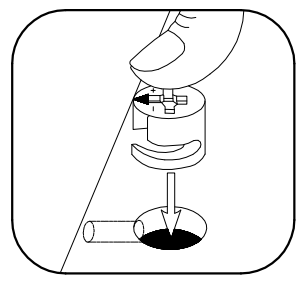
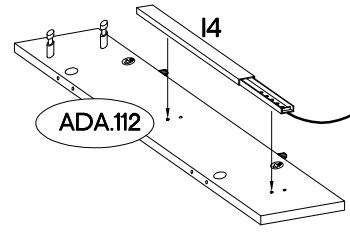
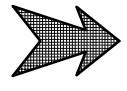
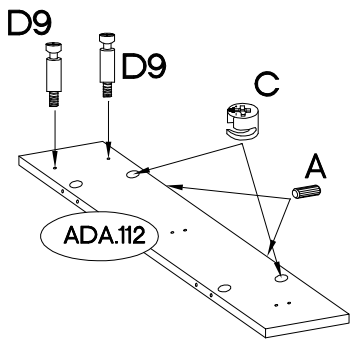
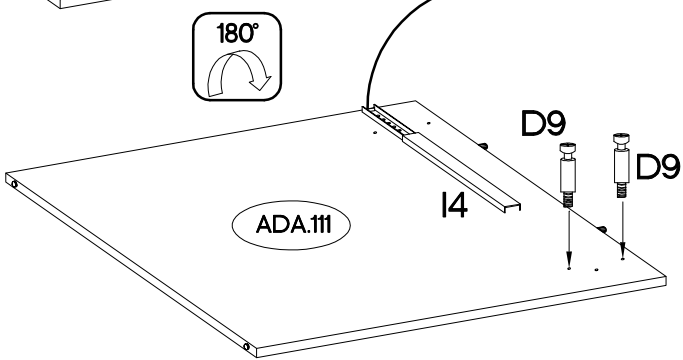
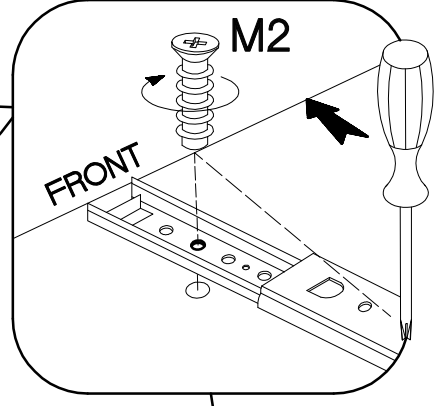
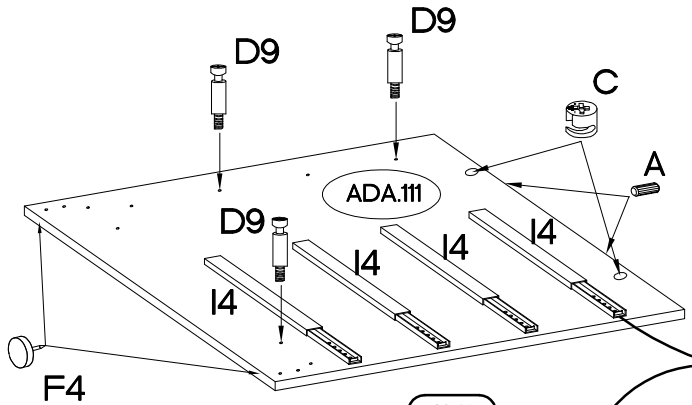
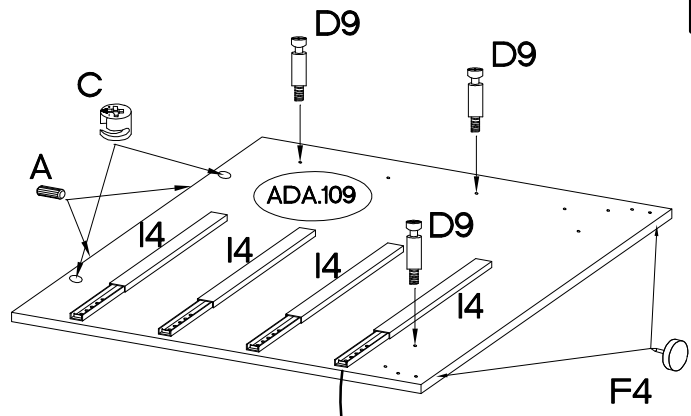
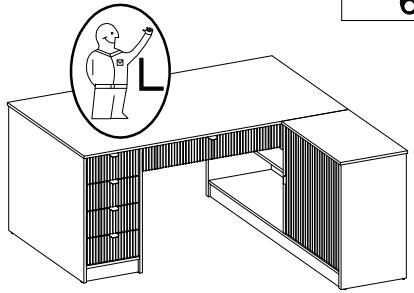
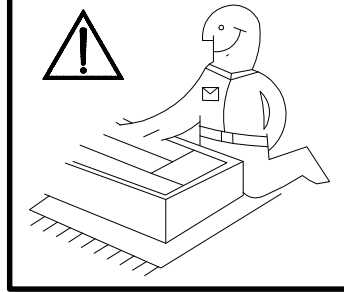
9

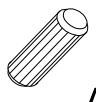
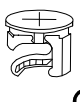



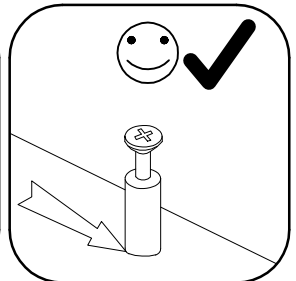
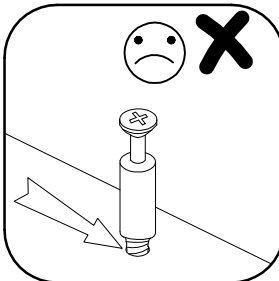
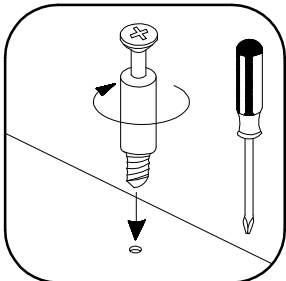
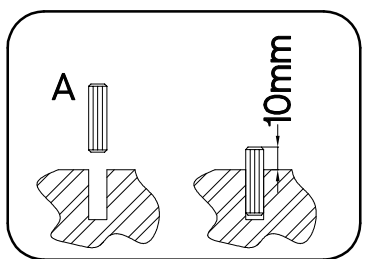
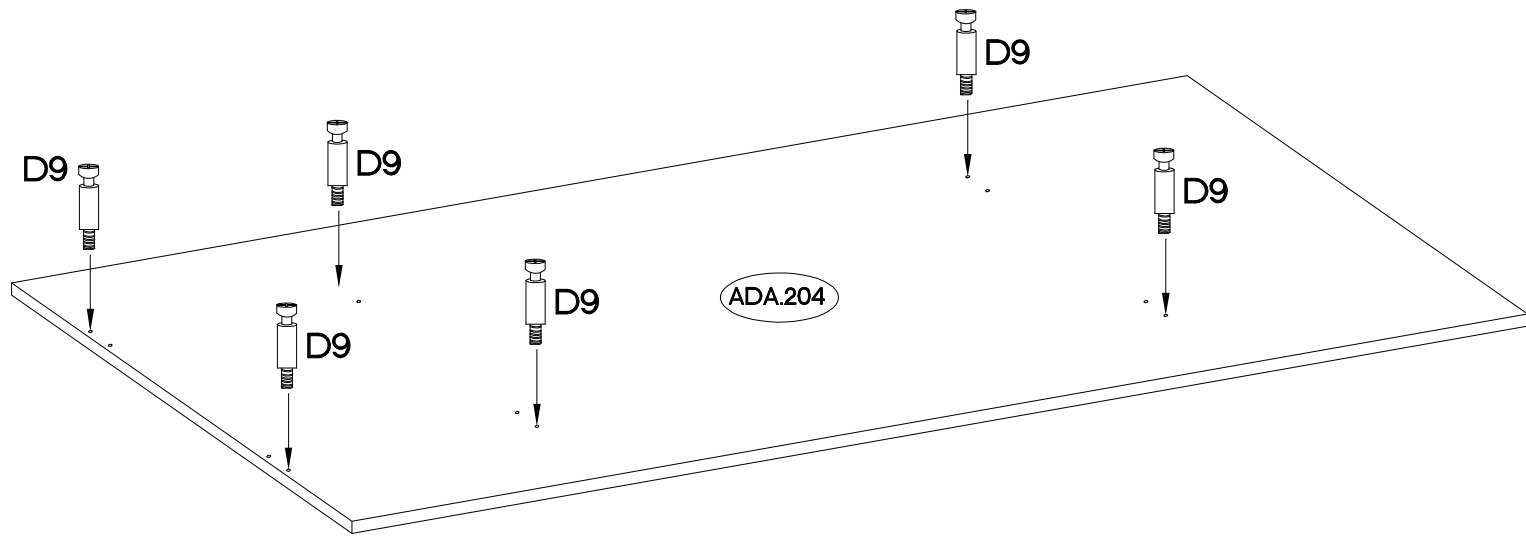
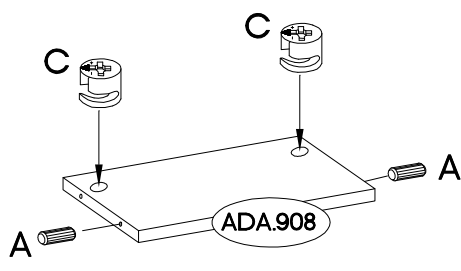
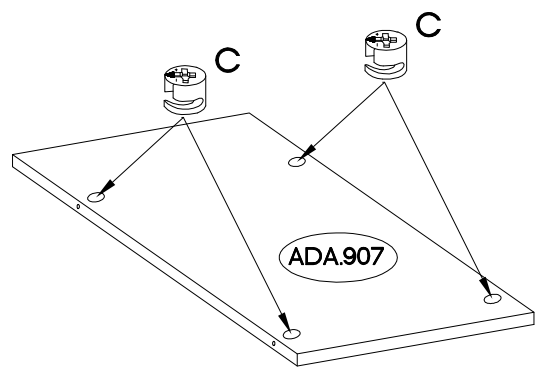
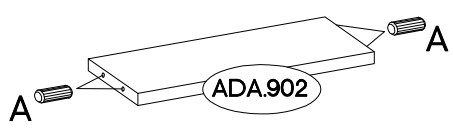
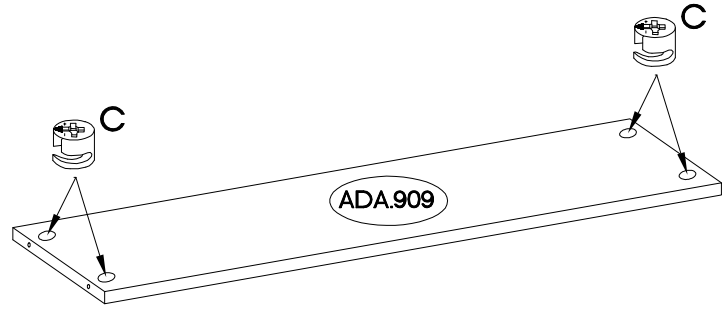
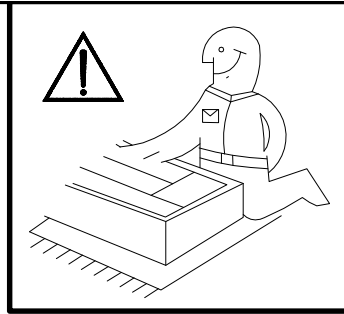
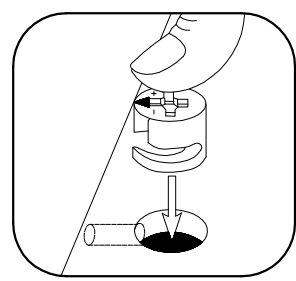
10



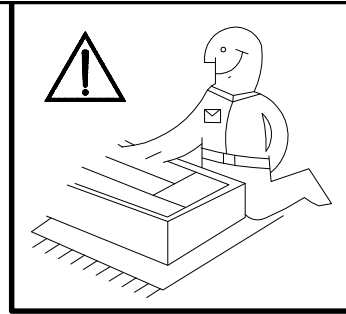
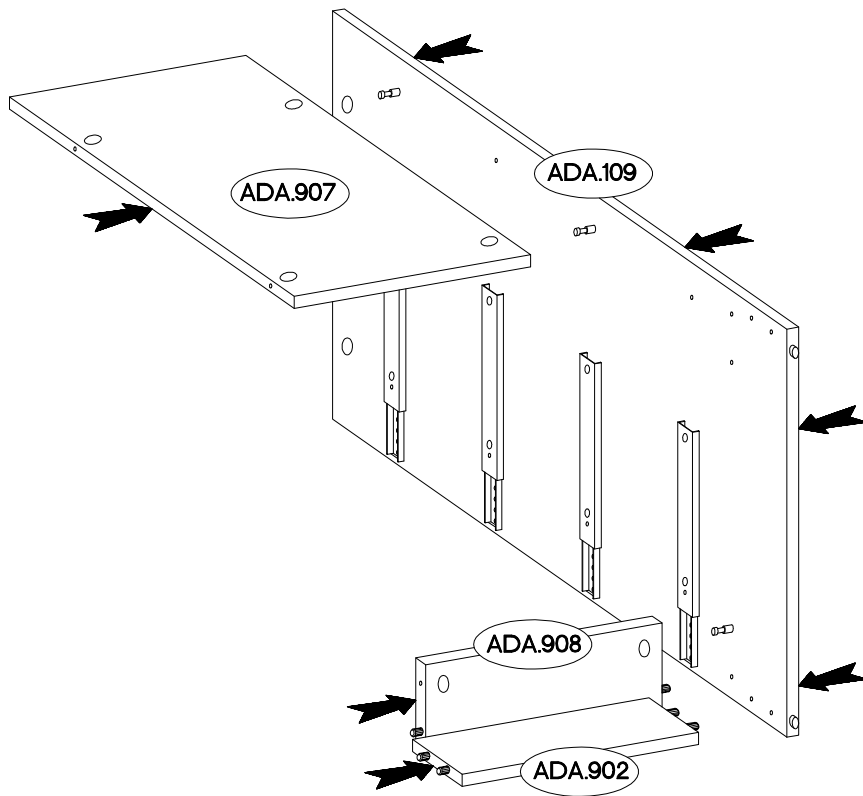
+8x30mm  A	+15/12mm  C	L=20/8mm  D9	+15x5mm  F4	27/310mm  I4	+6,3x13mm  M2
6	6	10	4	5	20



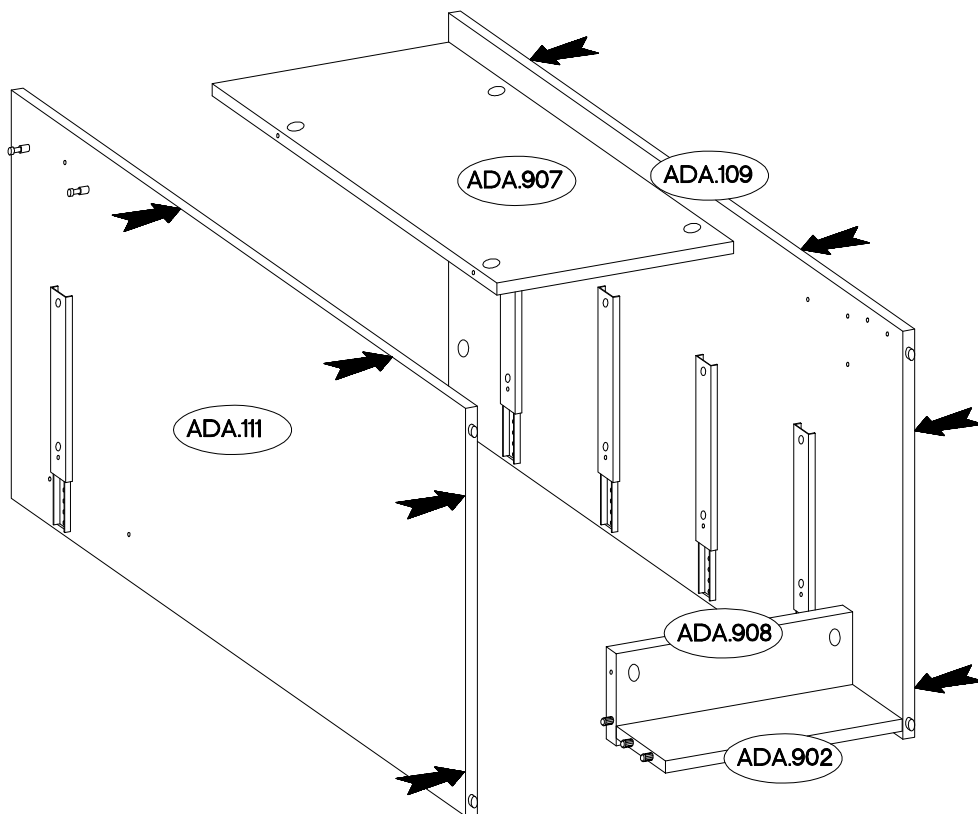
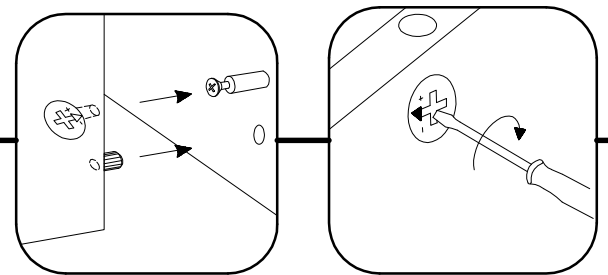
$\varnothing 8 \times 30 \text{mm}$  A 6	$\varnothing 15 / 12 \text{mm}$  C 10	L=20/8mm  D9 6
---	--	---



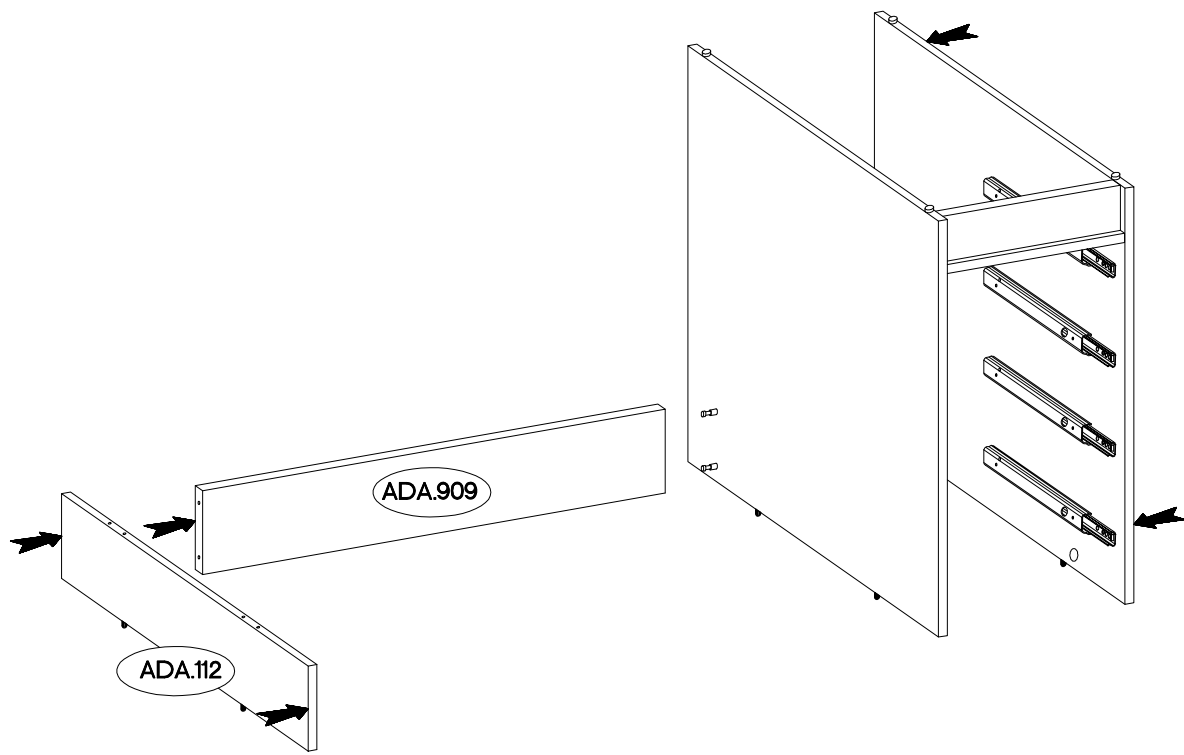
13



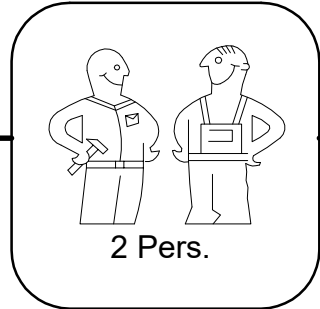
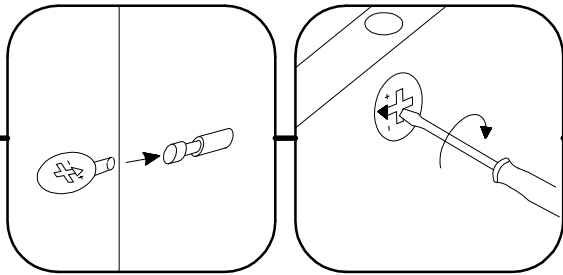
14



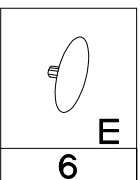
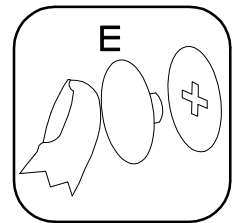
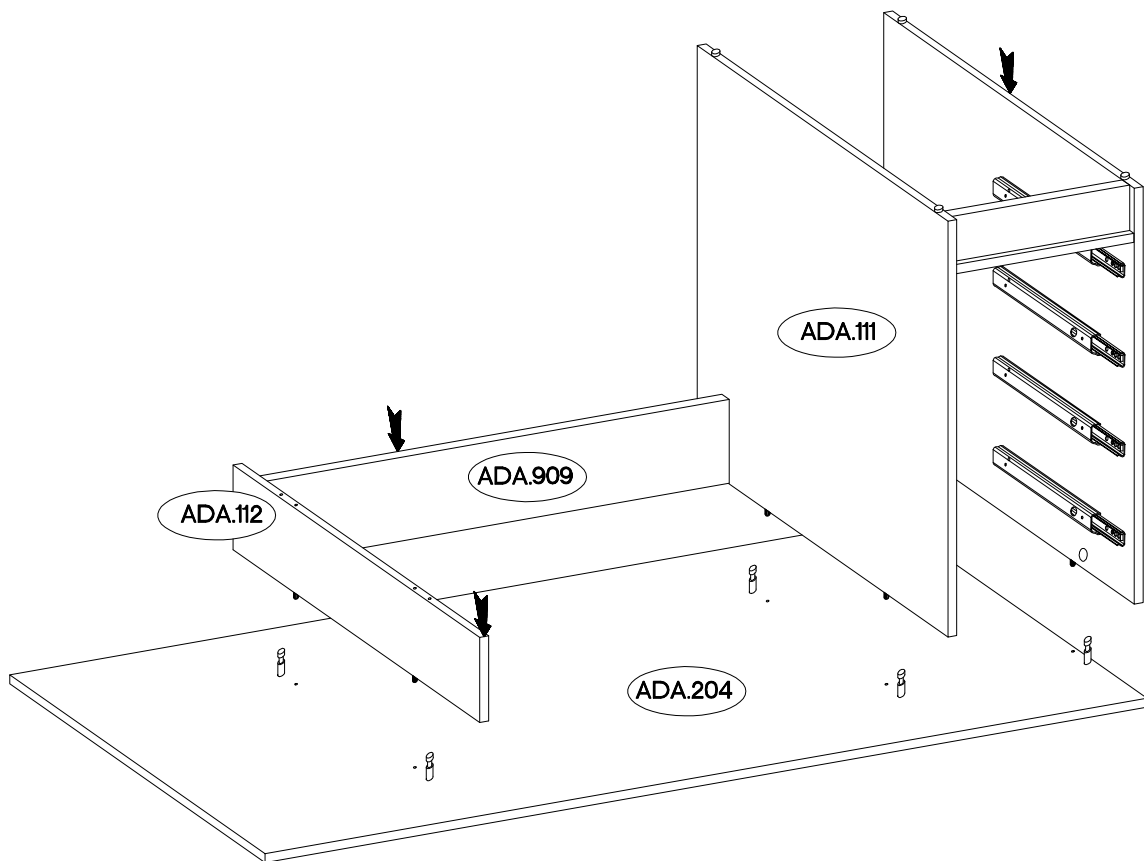
15



16





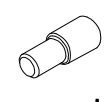


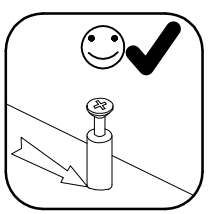
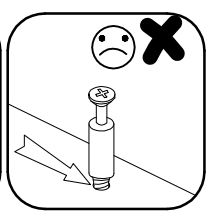
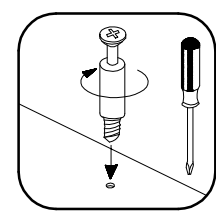
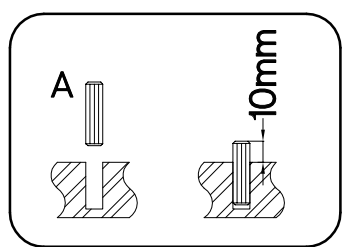
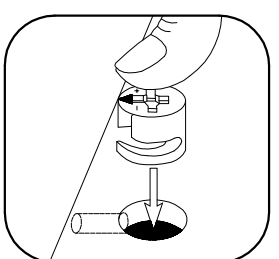
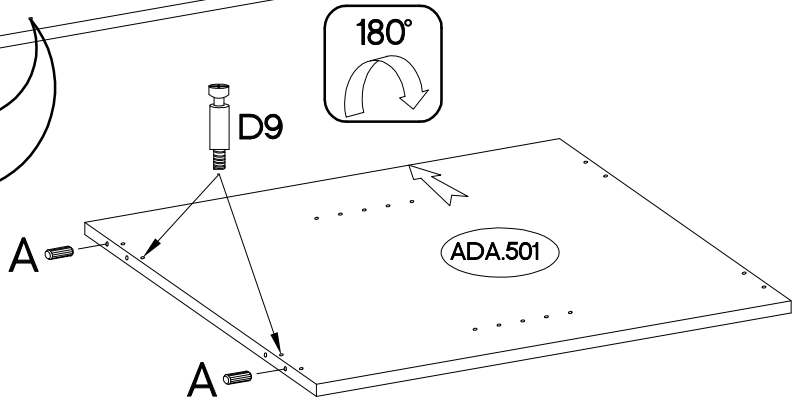
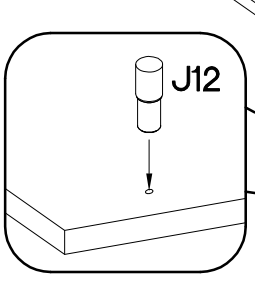
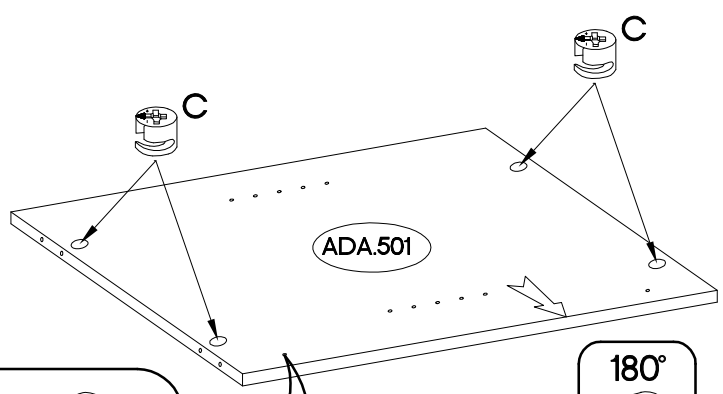
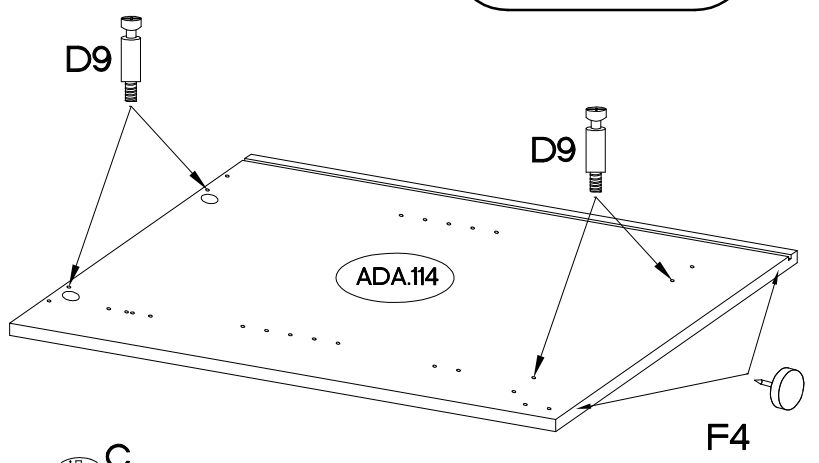
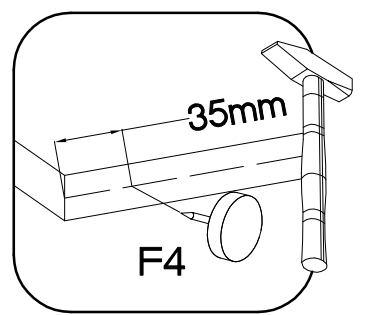
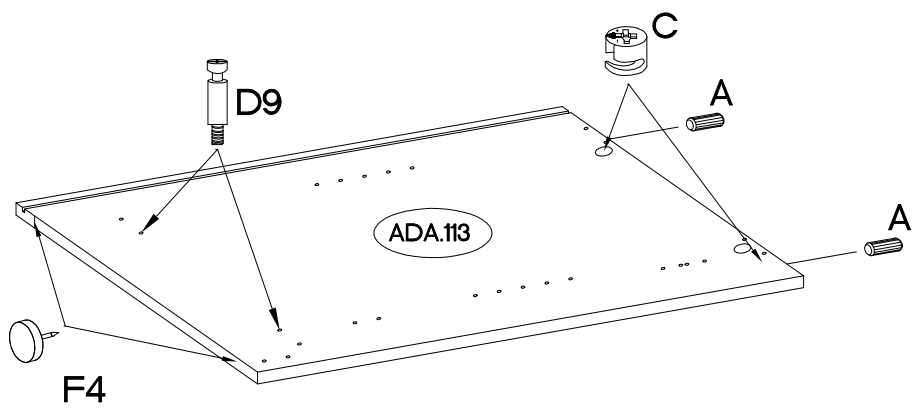
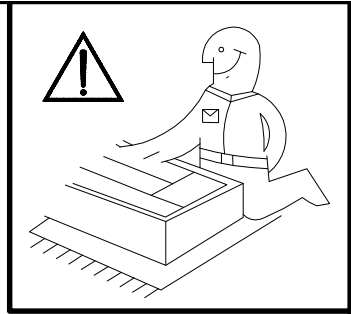
2 Pers.




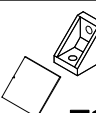



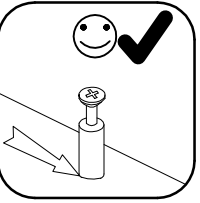
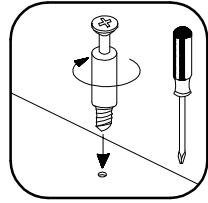
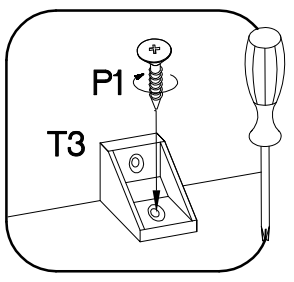
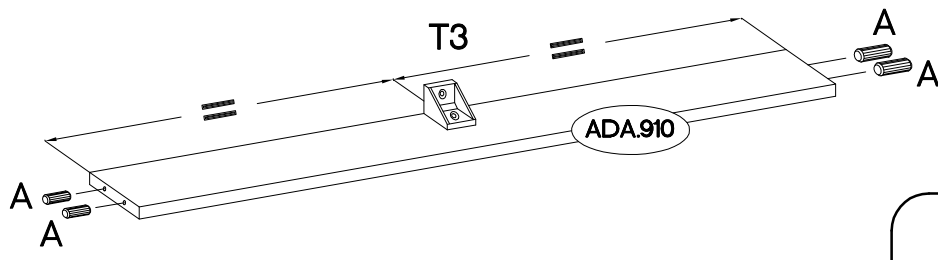
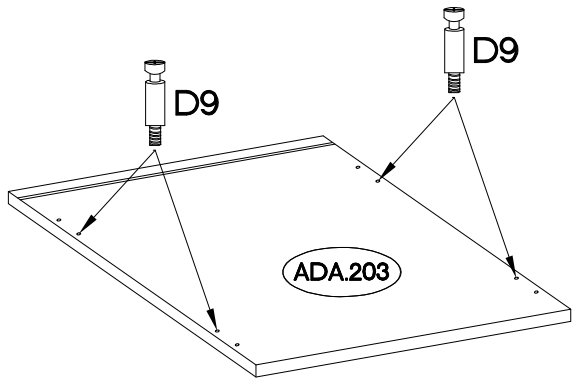
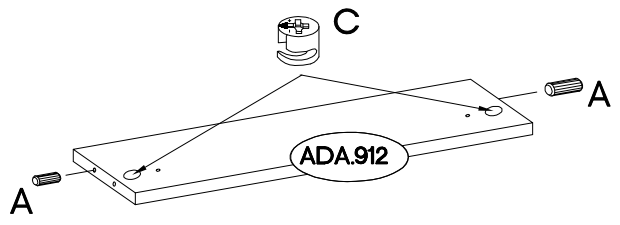
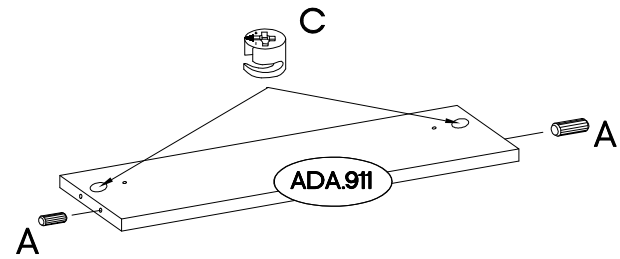
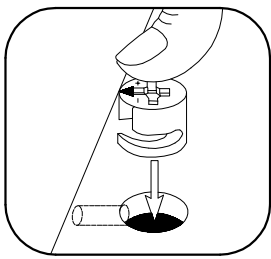
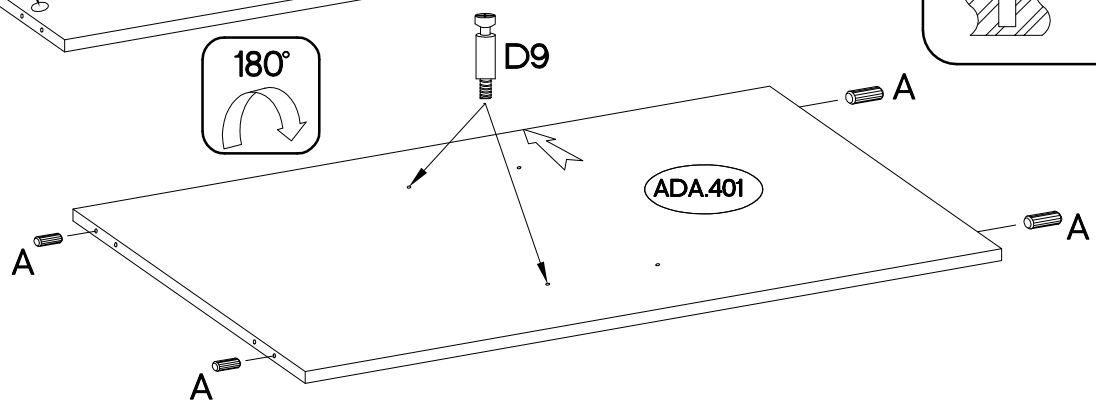
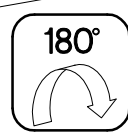
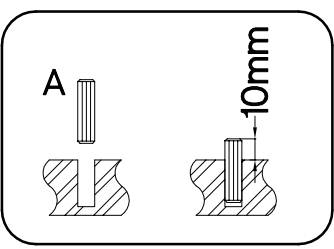
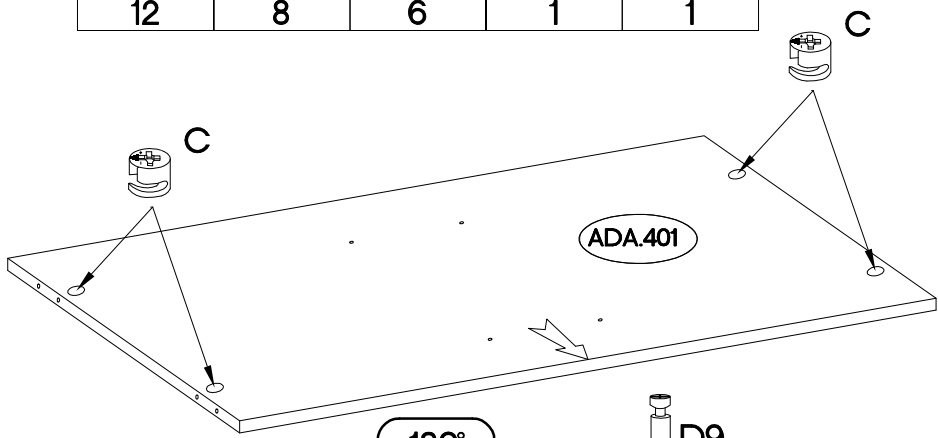
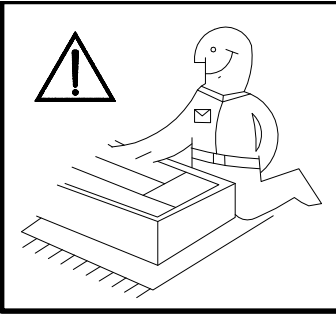
E

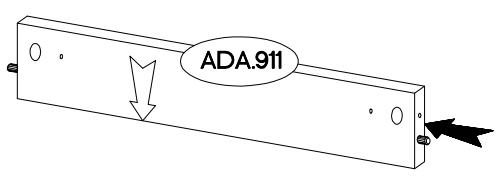
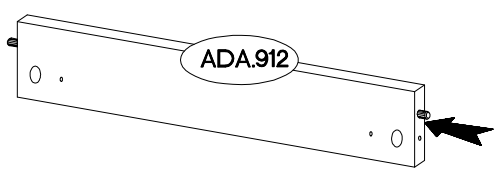
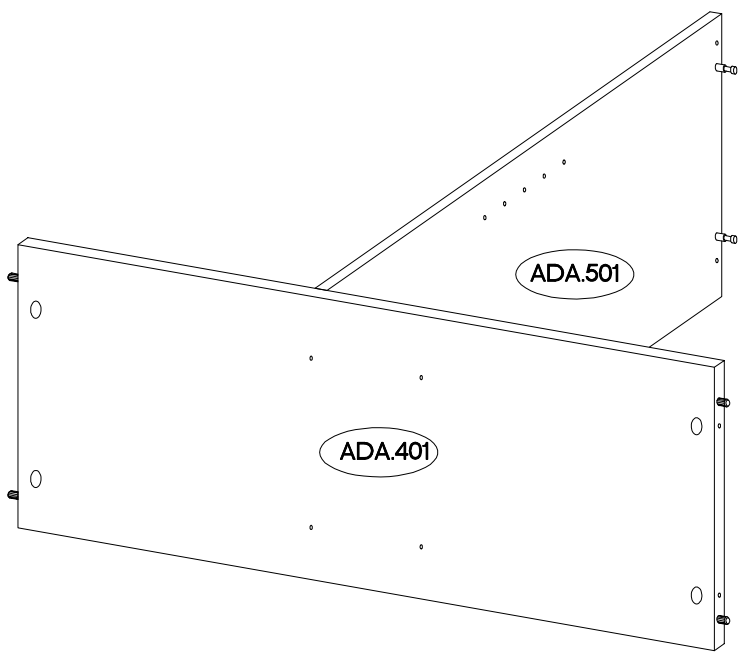
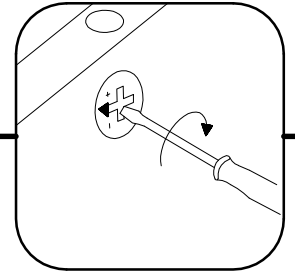
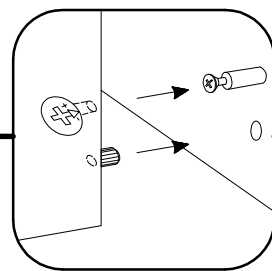
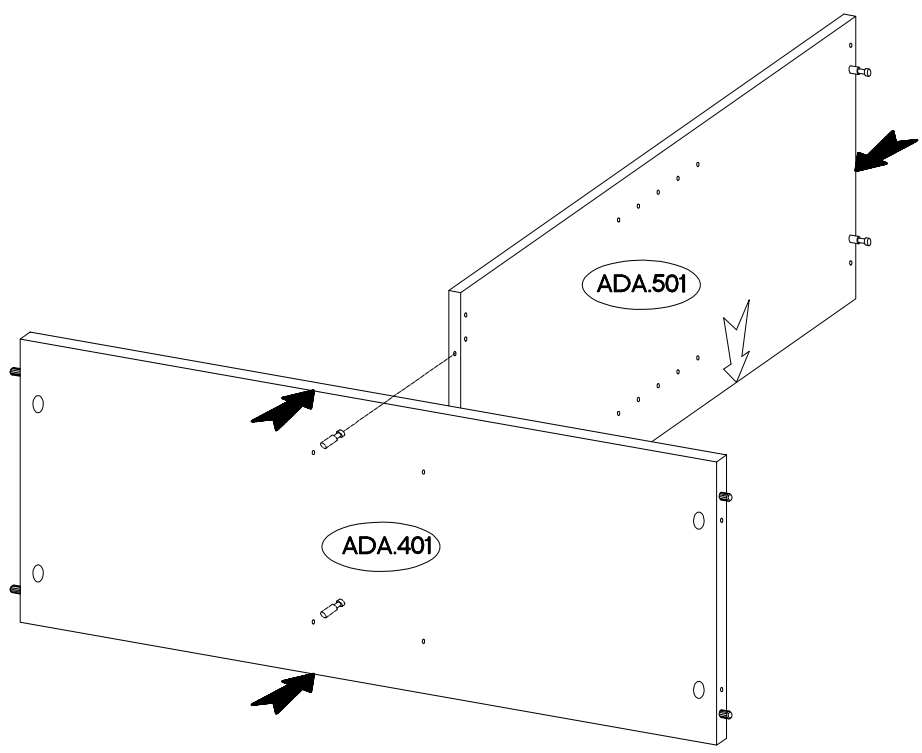
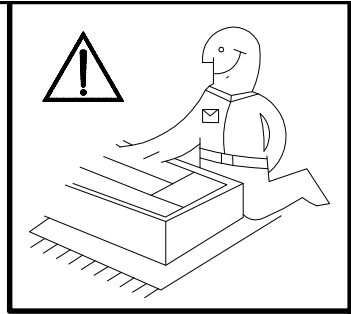
6

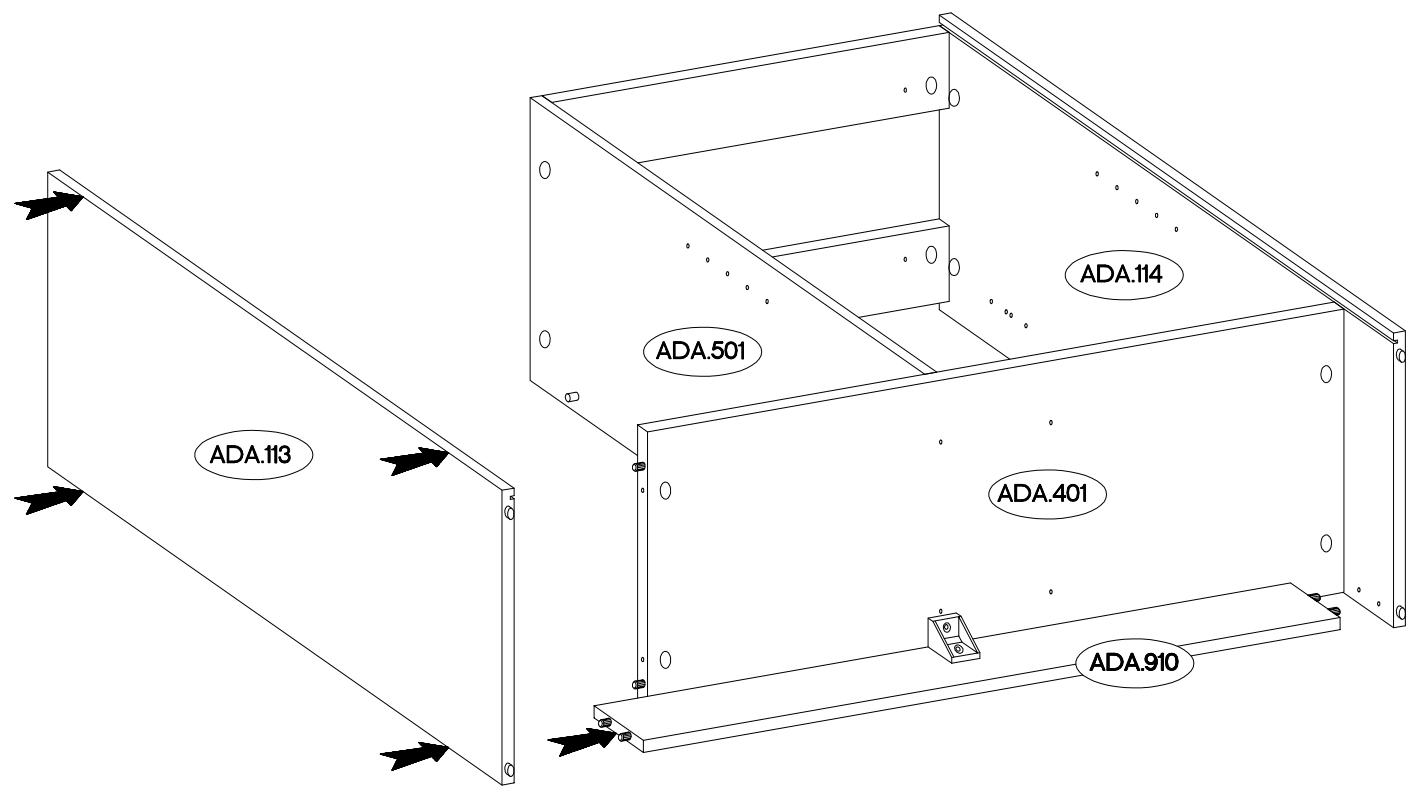
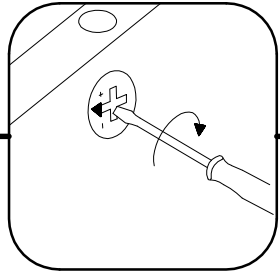
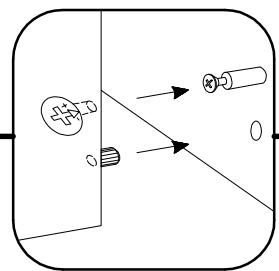
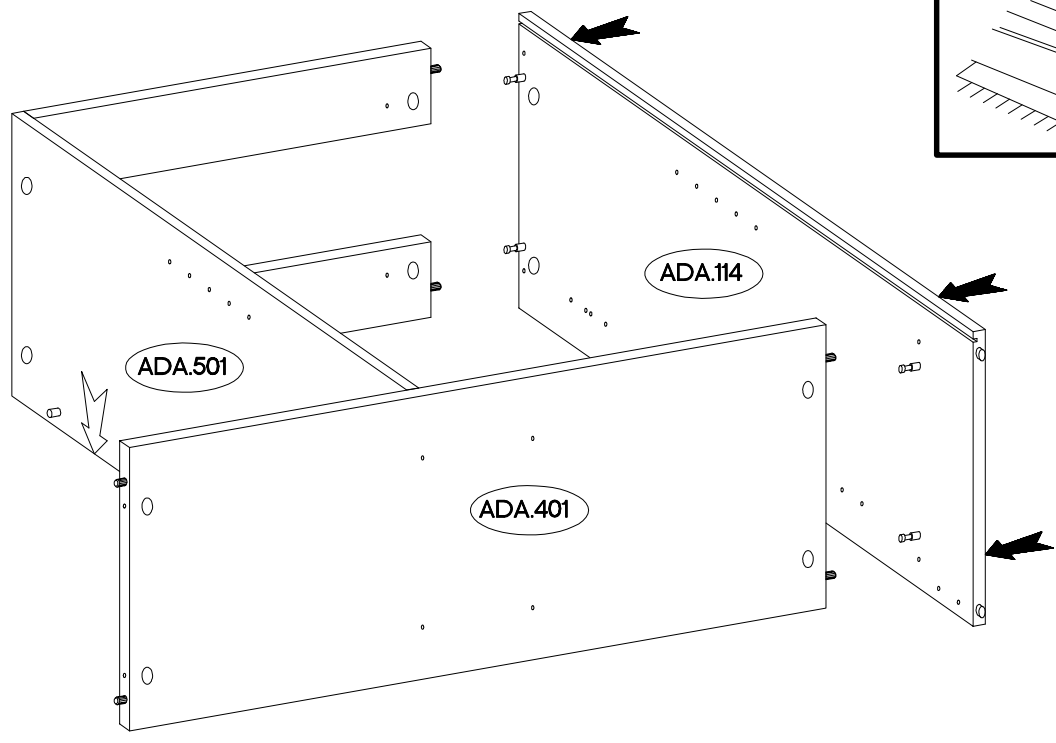
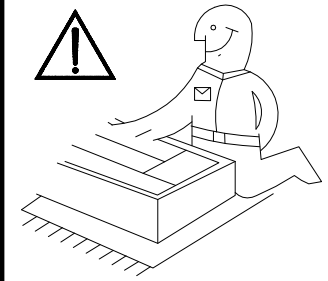
∅8x30mm	∅15/12mm	L=20/8mm	∅15x5mm	
				
A	C	D9	F4	J12
4	6	8	4	1



±8x30mm  A	±15/12mm  C	L=20/8mm  D9	 T3	±4.0x16mm  P1
12	8	6	1	1





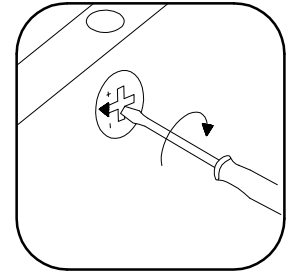
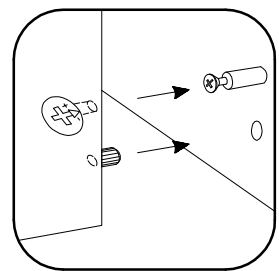
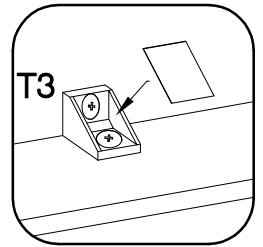
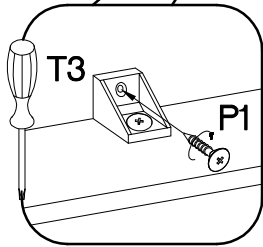
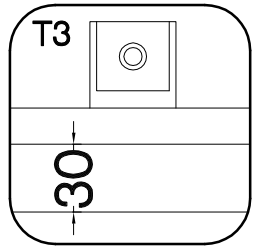
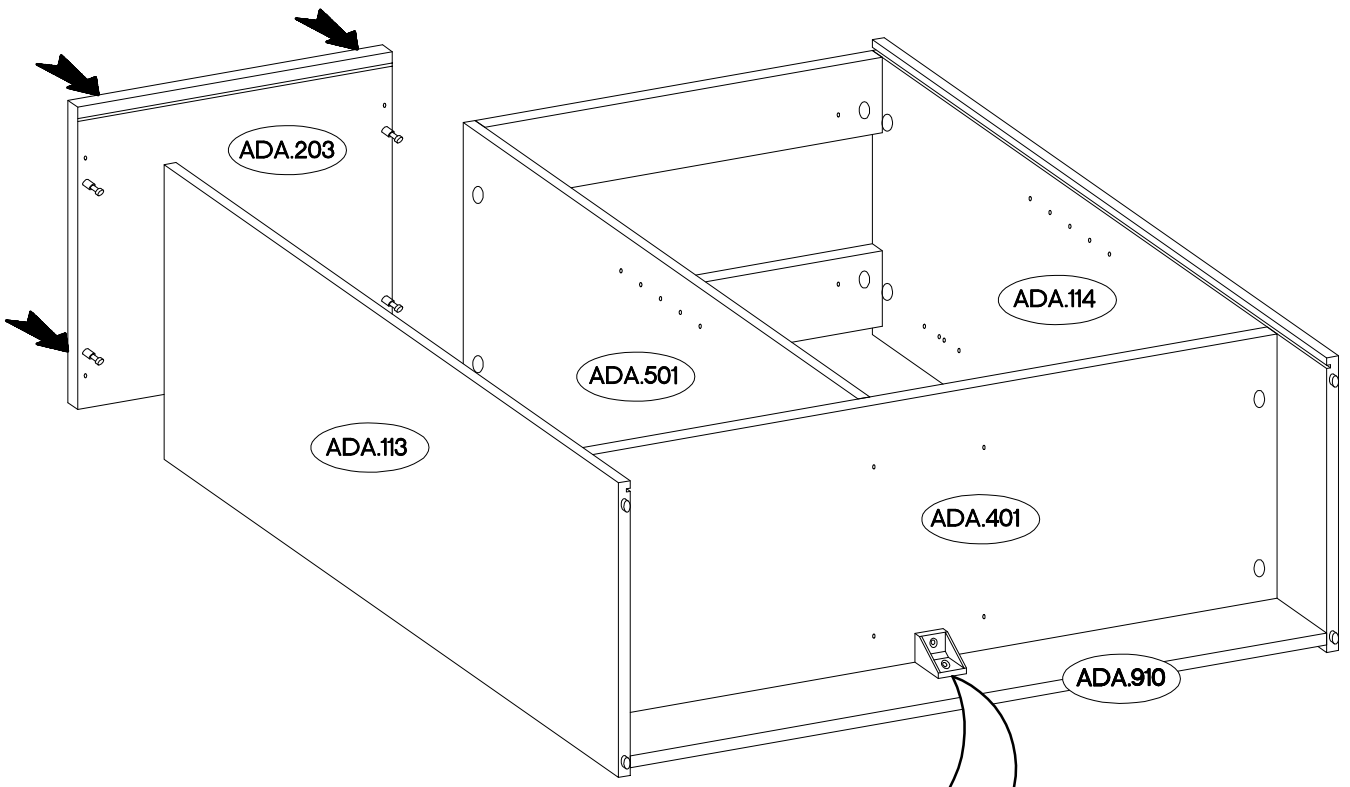
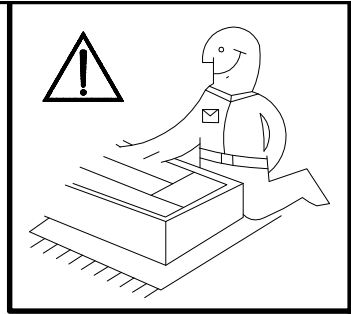



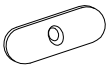
4.0x16mm

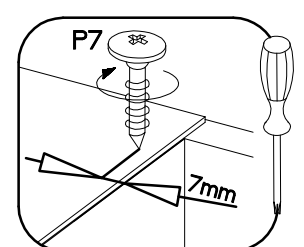
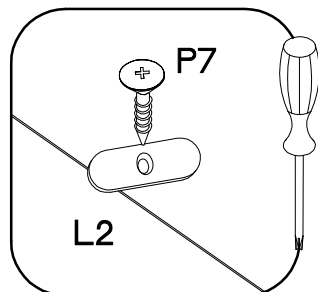
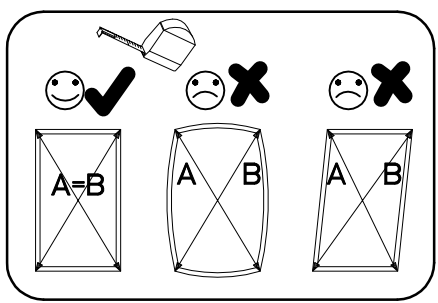
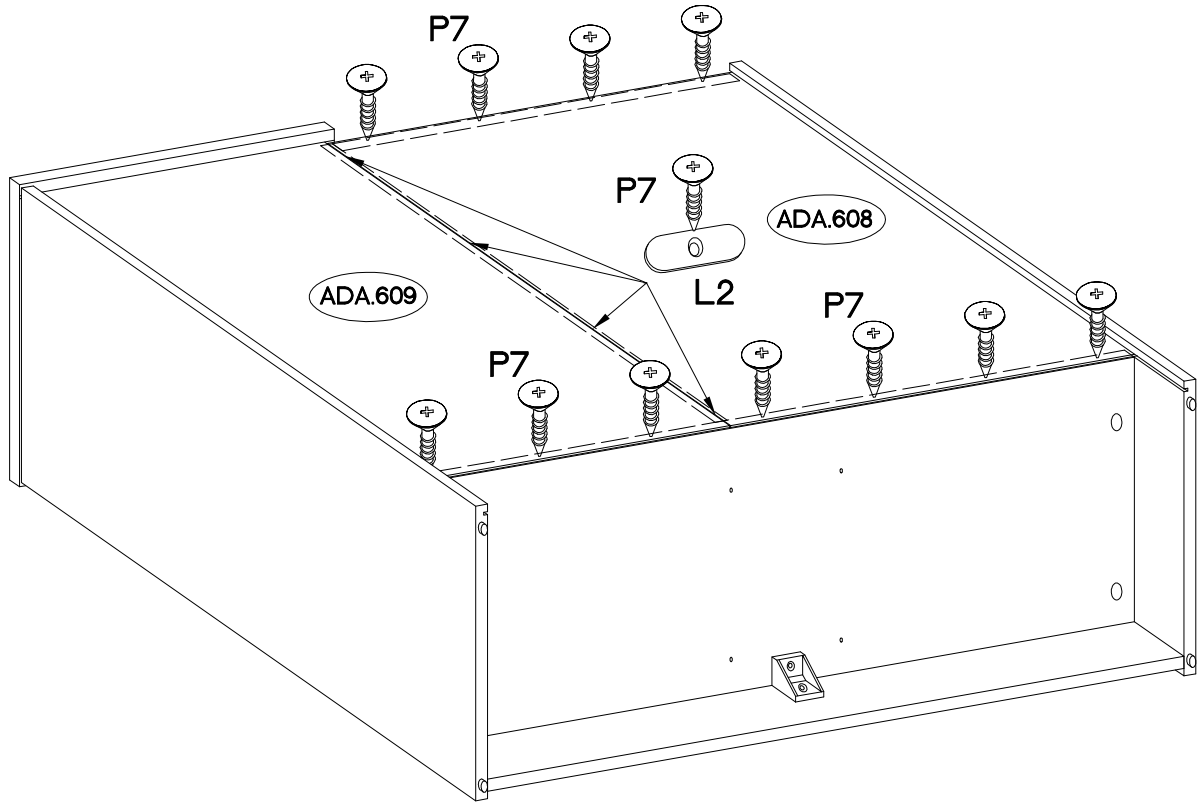
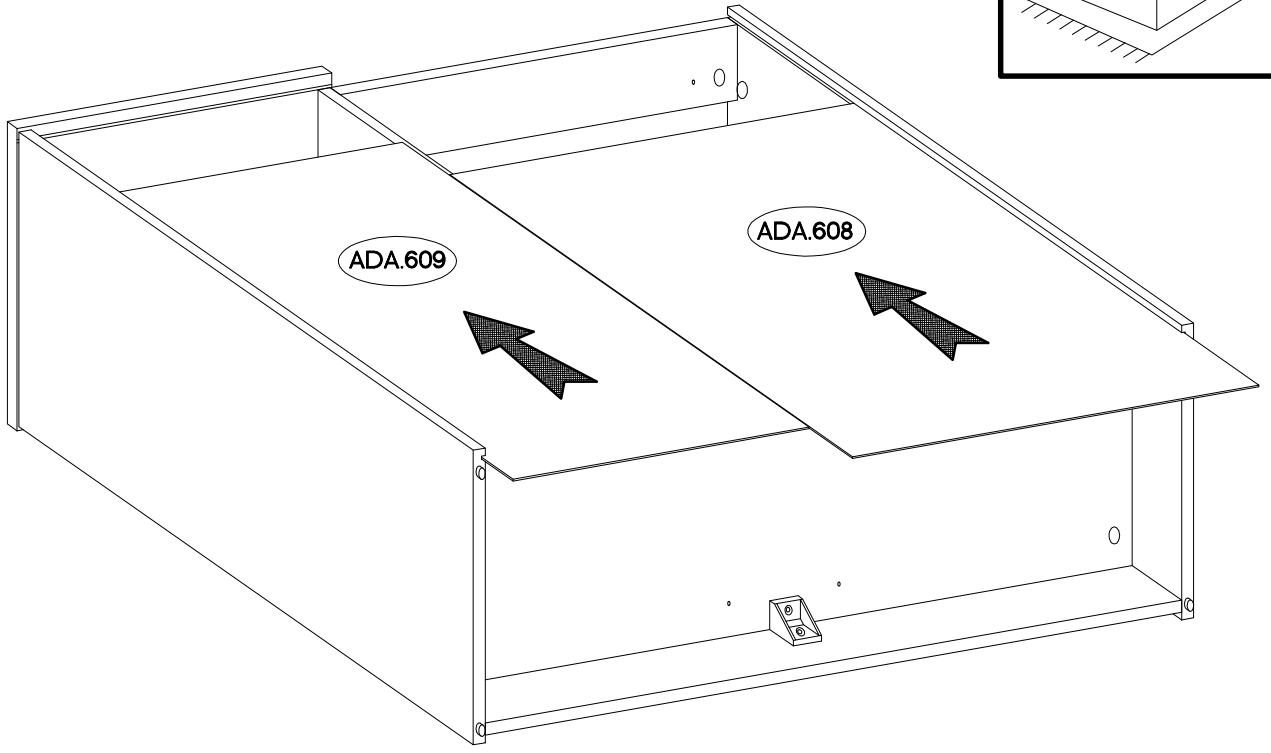
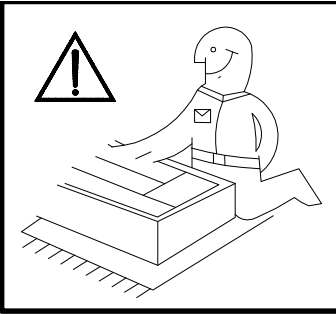


P1

1



±3.0x20mm  P7 15	 L2 4
---	---

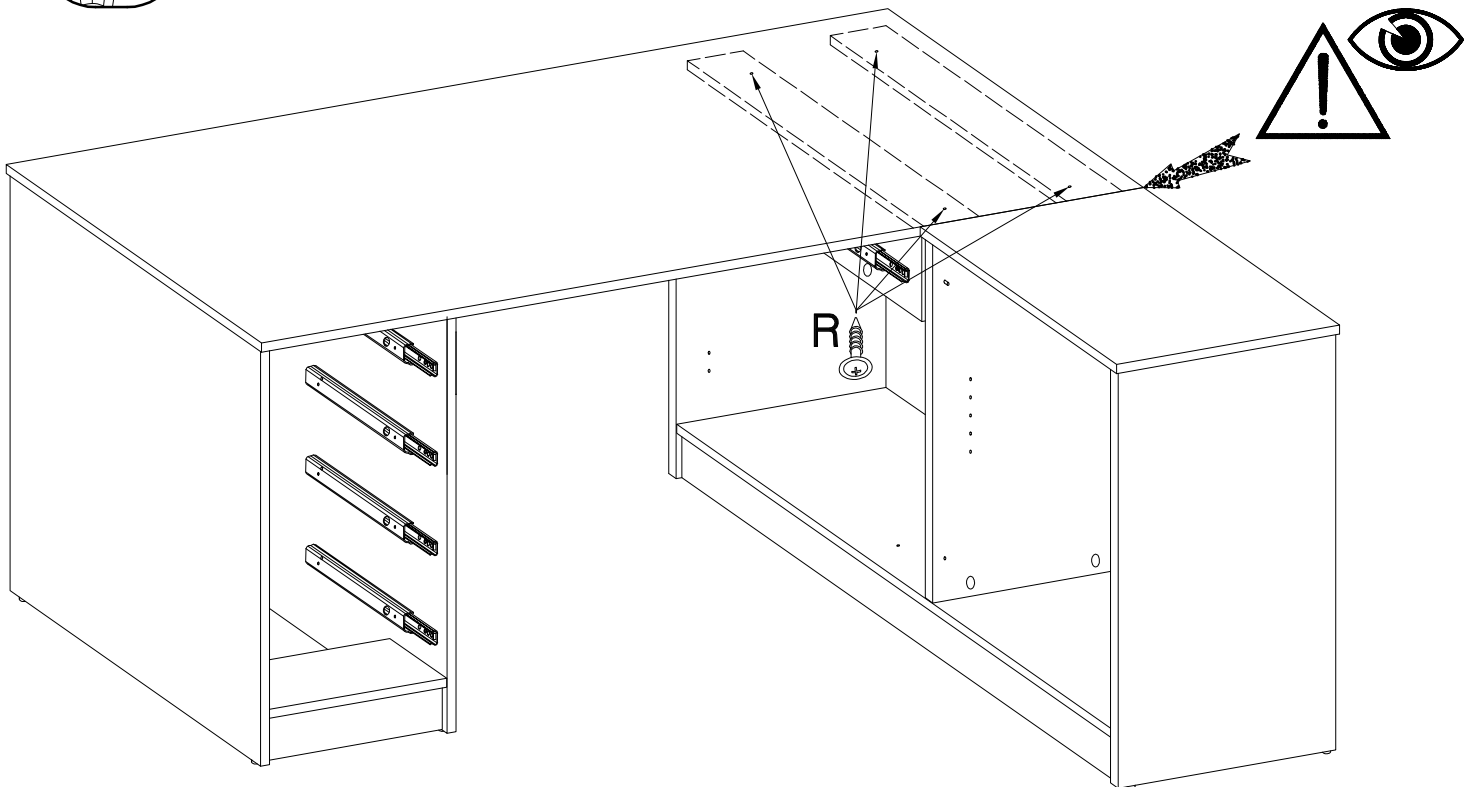
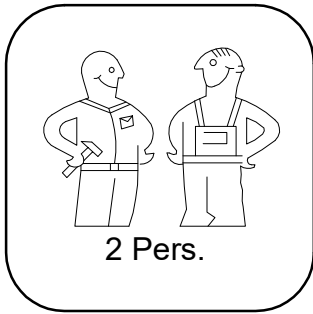
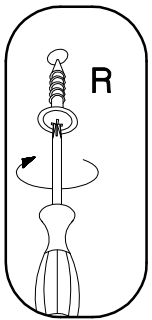
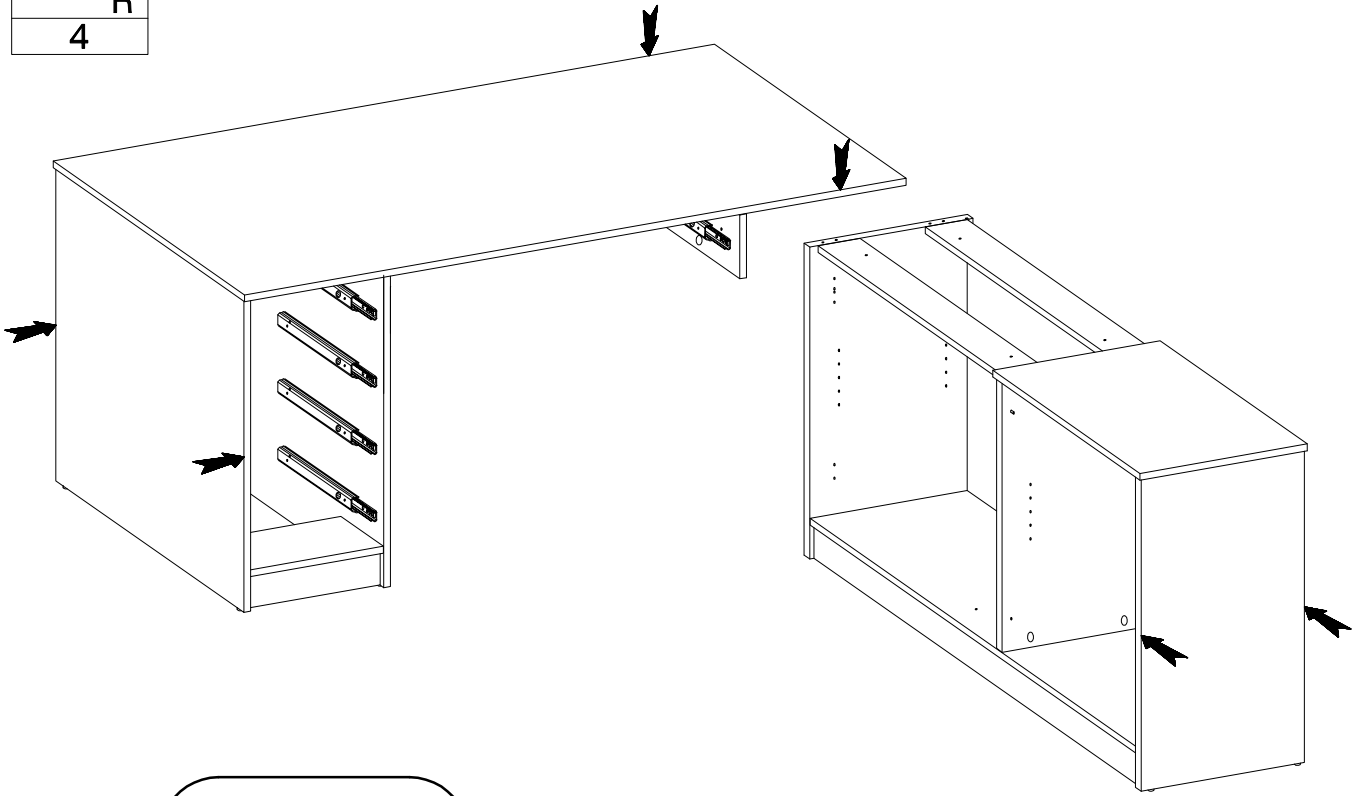




4.0x25mm

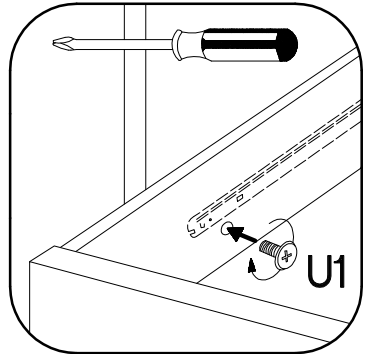
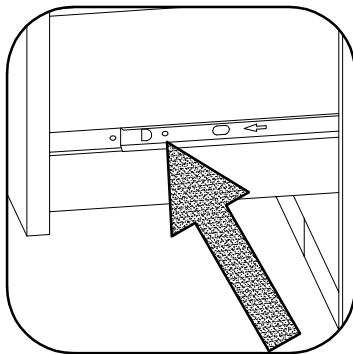
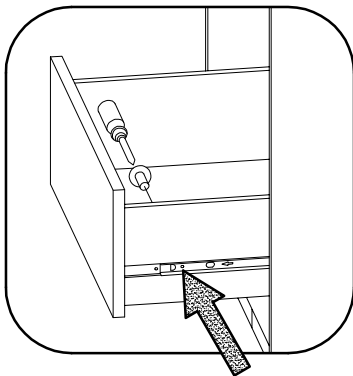
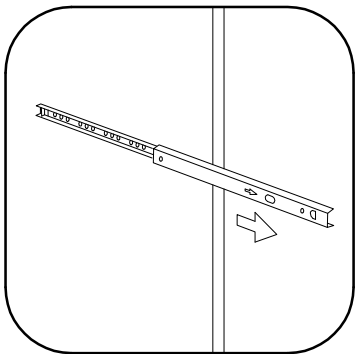
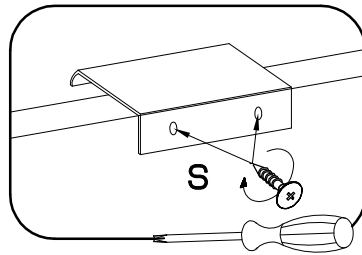
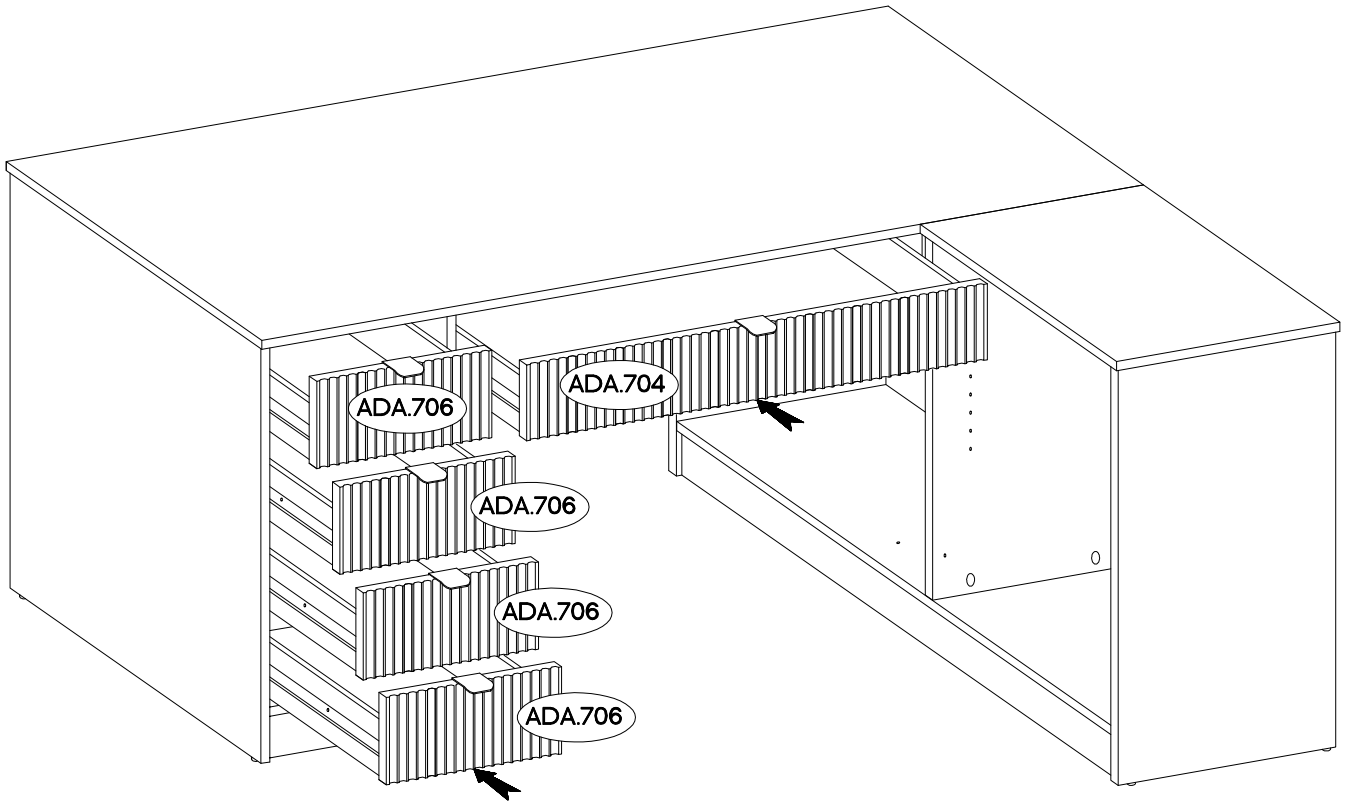


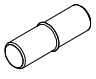

R

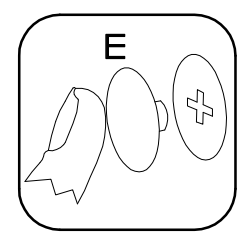
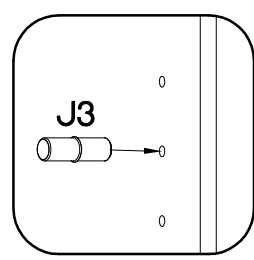
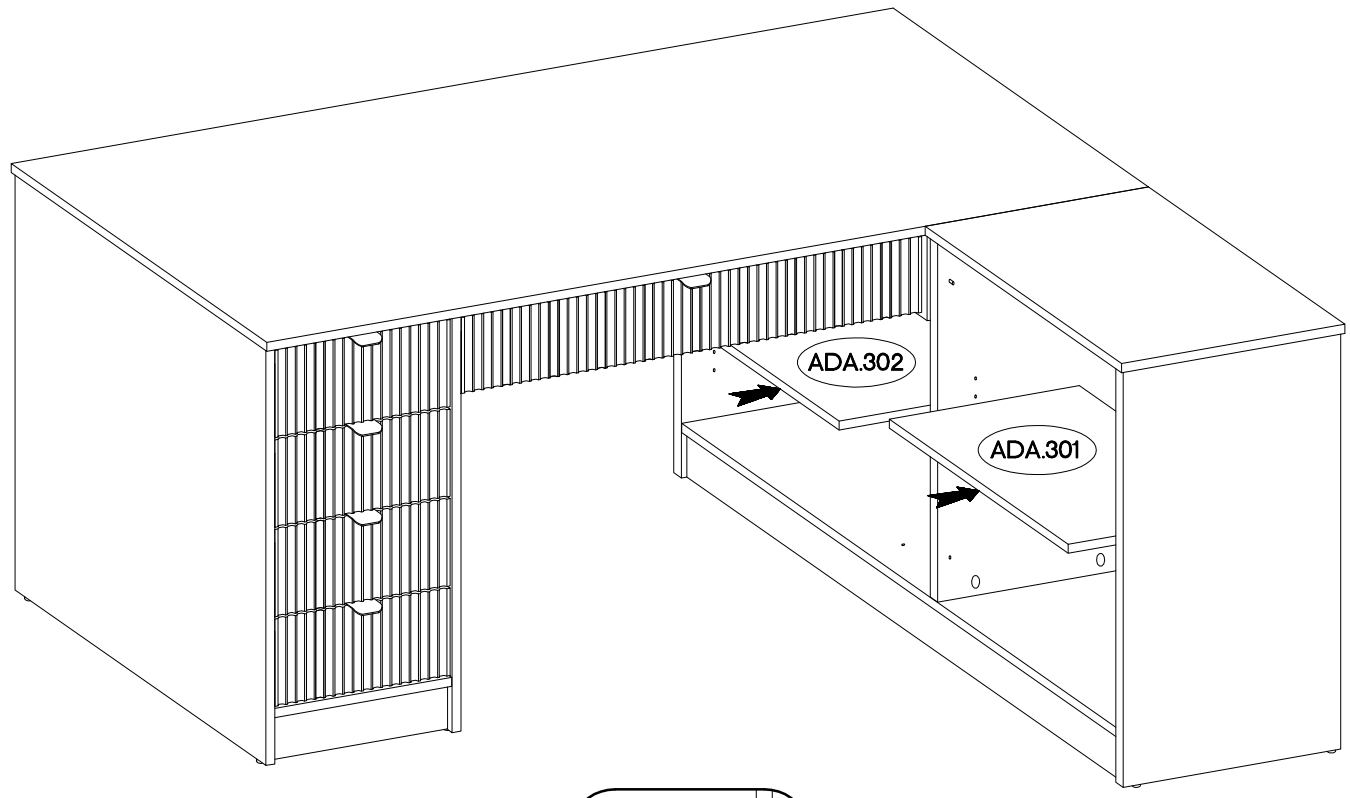
4





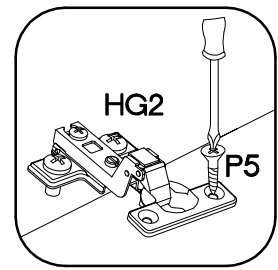
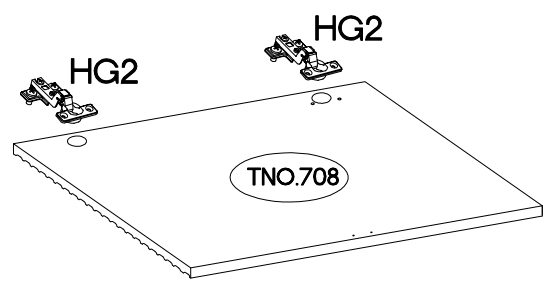
M4x9mm	L=32mm
 U1	 S
10	5


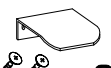


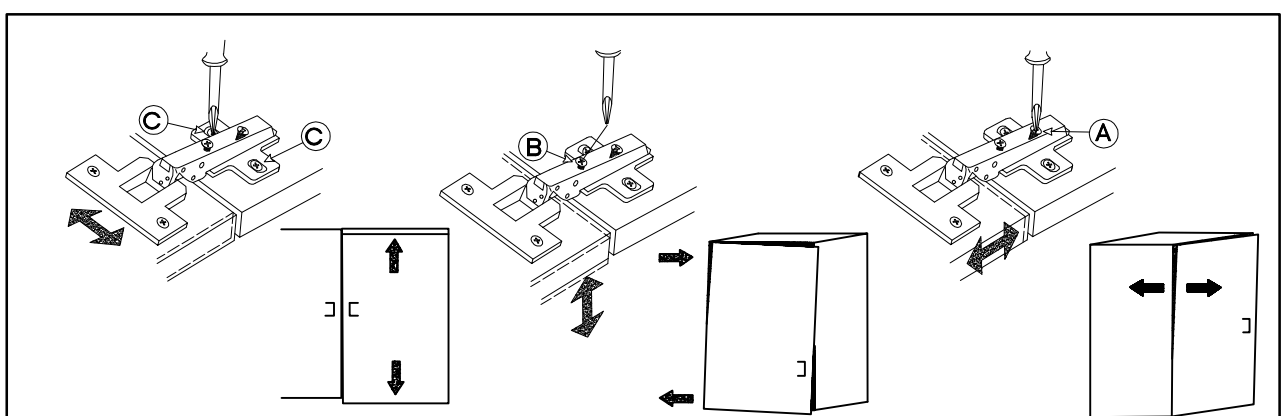
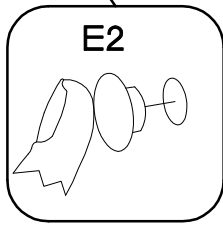
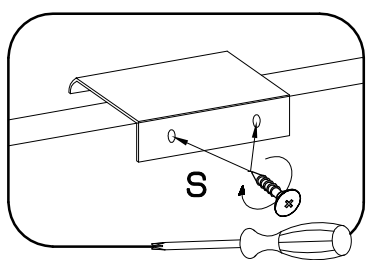
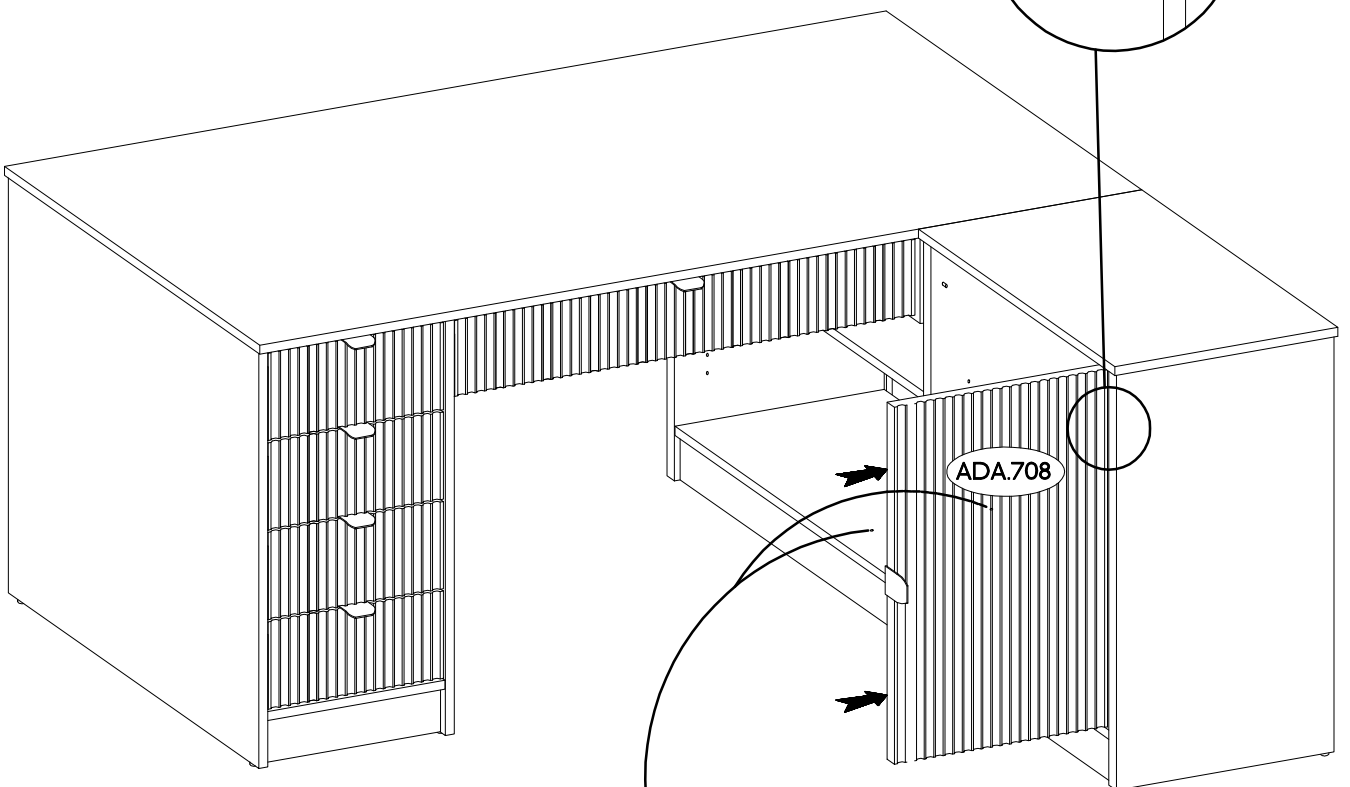
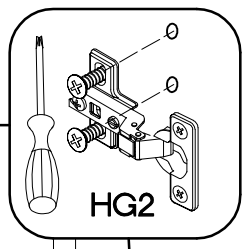
+5/16mm		
	J3	E
	8	6

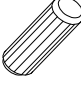

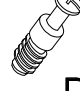




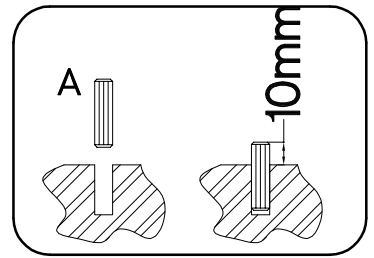
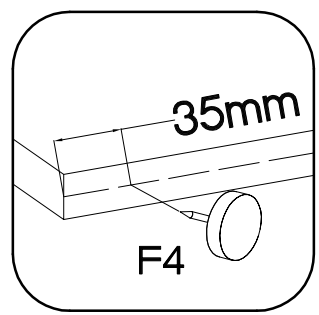
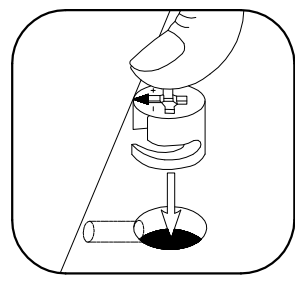
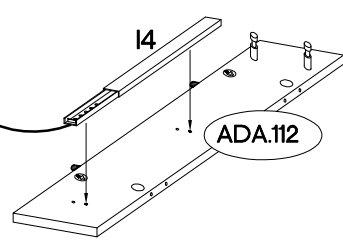
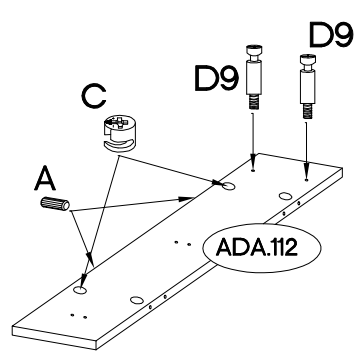
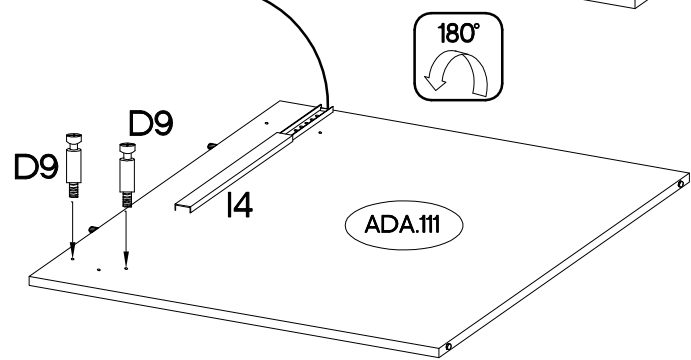
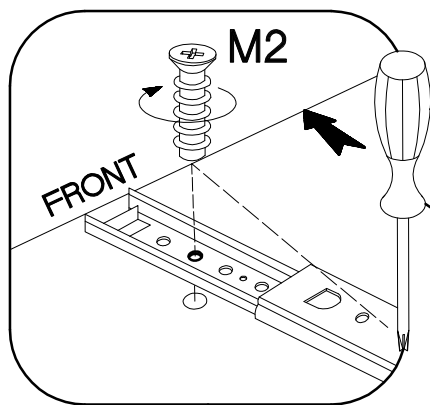
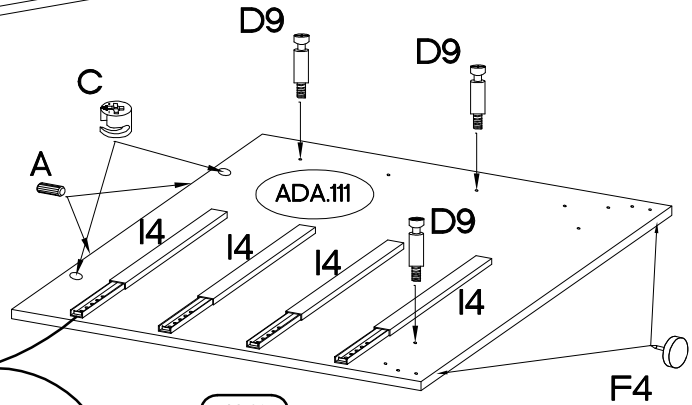
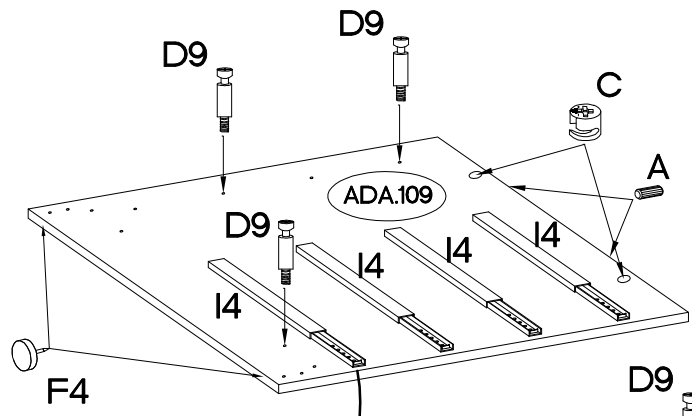
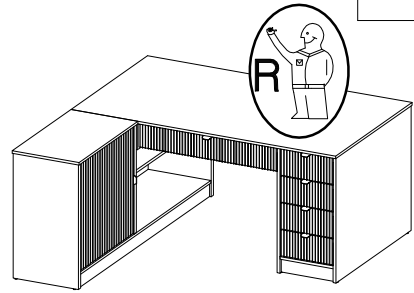
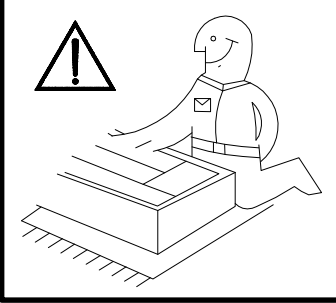
+35/16mm	+3.5x13mm
	
HG2	P5
2	4

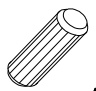




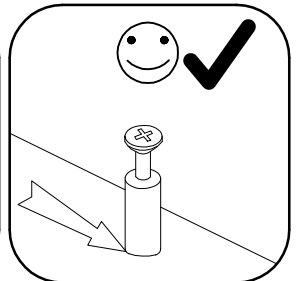
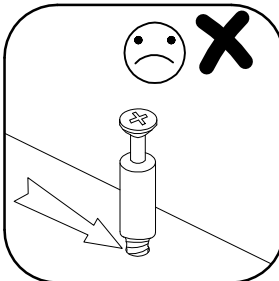
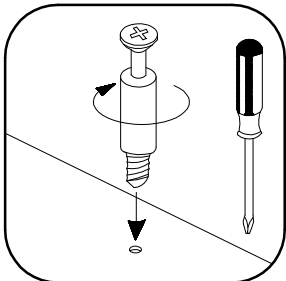
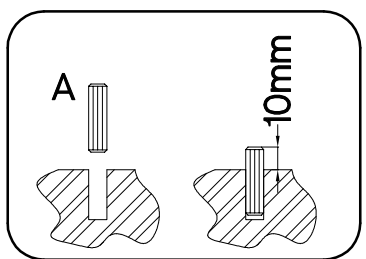
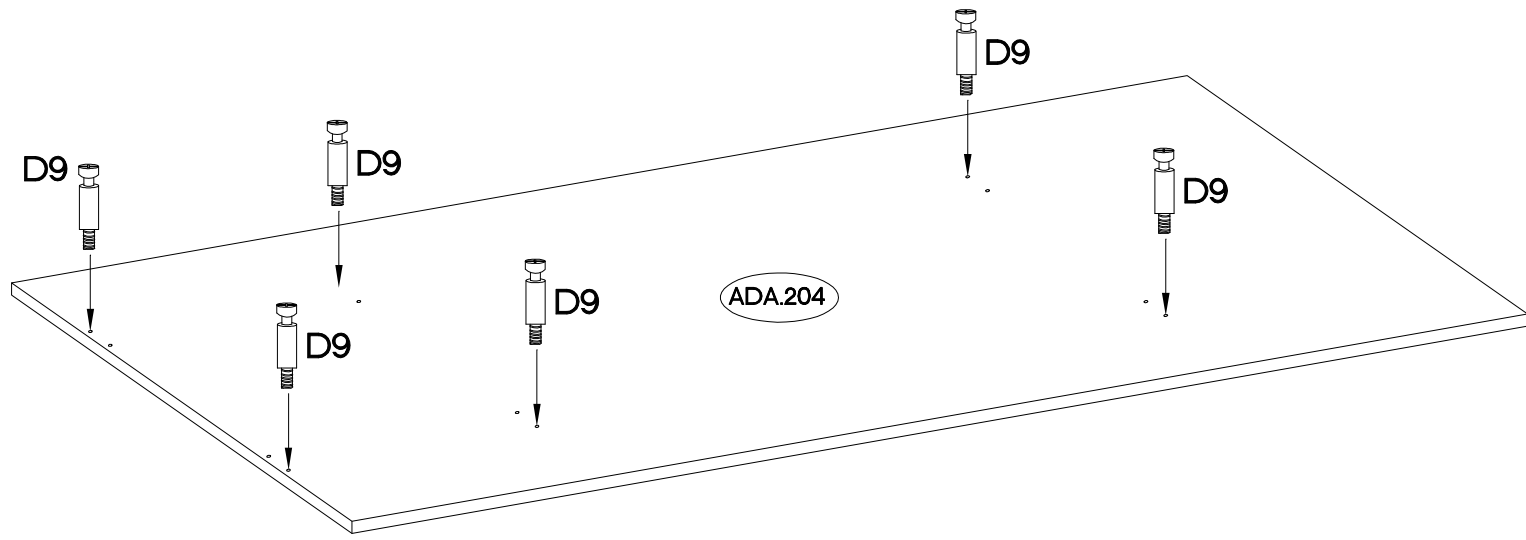
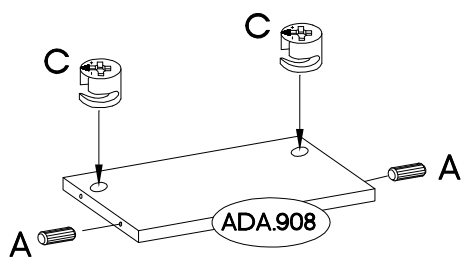
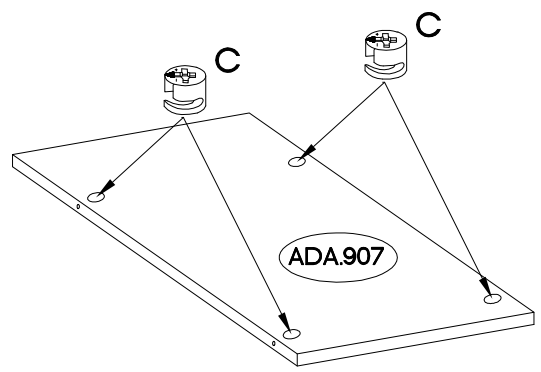
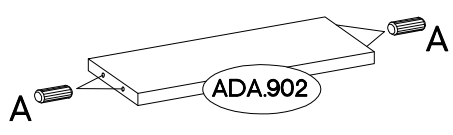
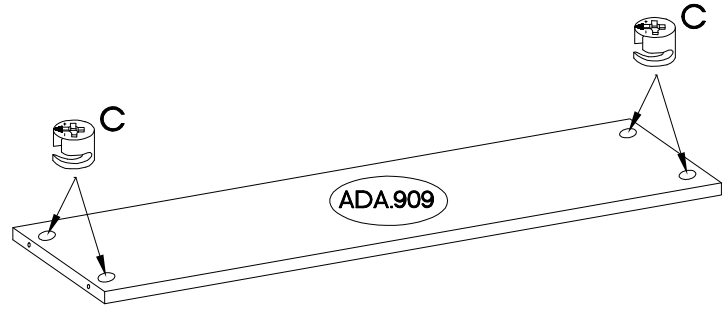
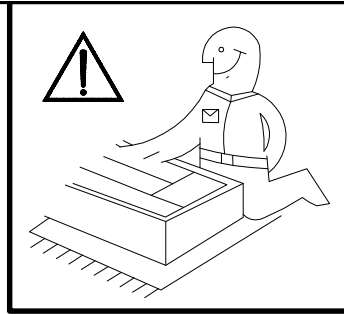
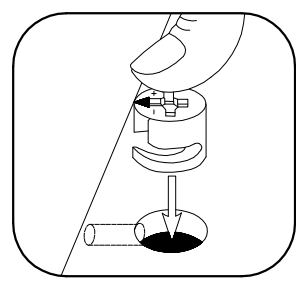
+5	L=32mm
	
E2	S
2	1



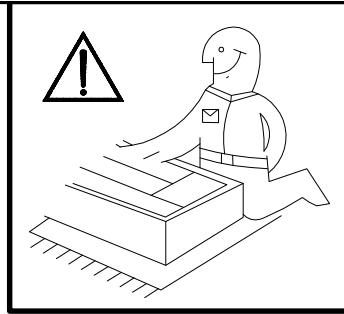
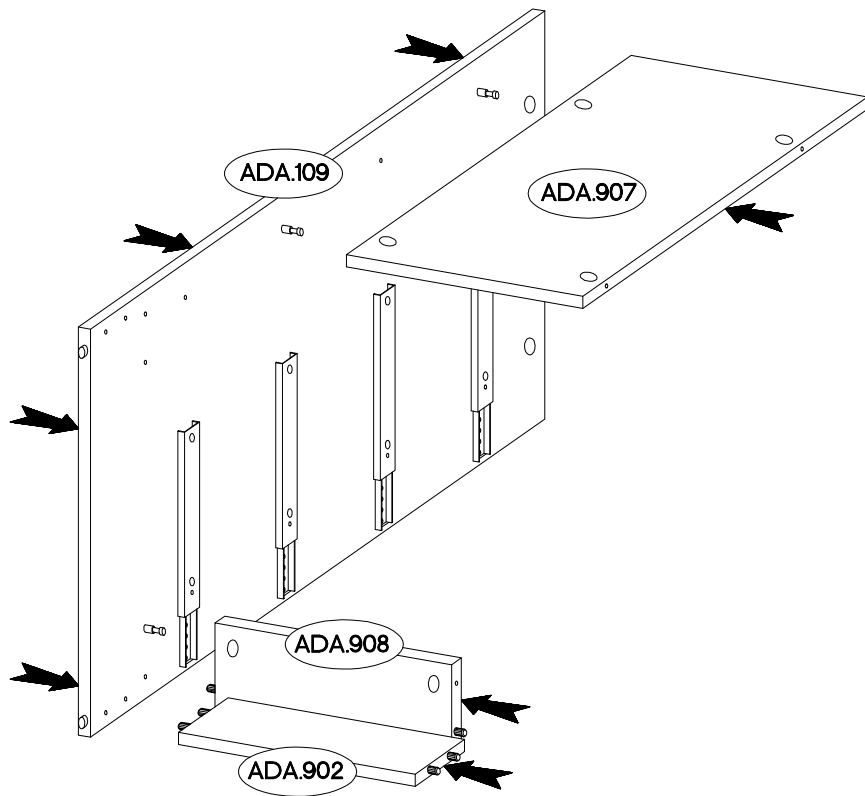
+8x30mm  A 6	+15/12mm  C 6	L=20/8mm  D9 10	+15x5mm  F4 4	27/310mm  I4 5	+6,3x13mm  M2 20
---	--	--	--	--	---



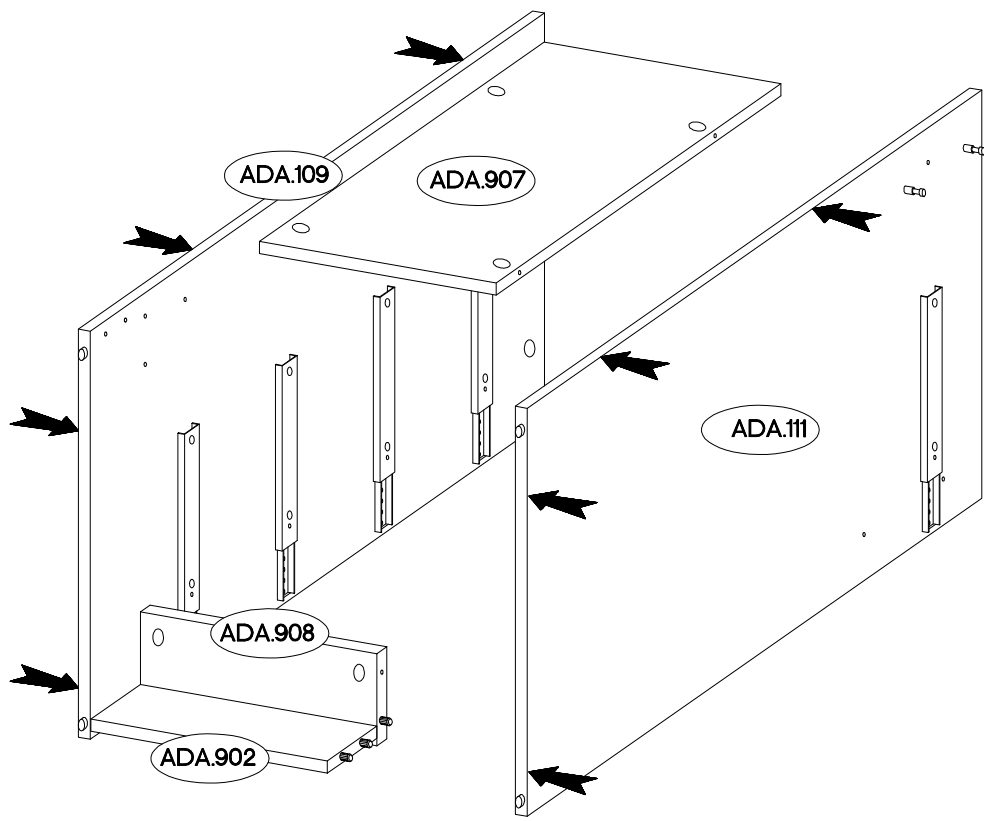
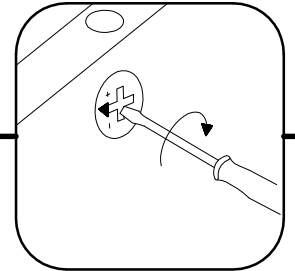
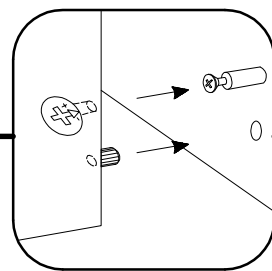
±8x30mm  A 6	±15/12mm  C 10	L=20/8mm  D9 6
---	---	---



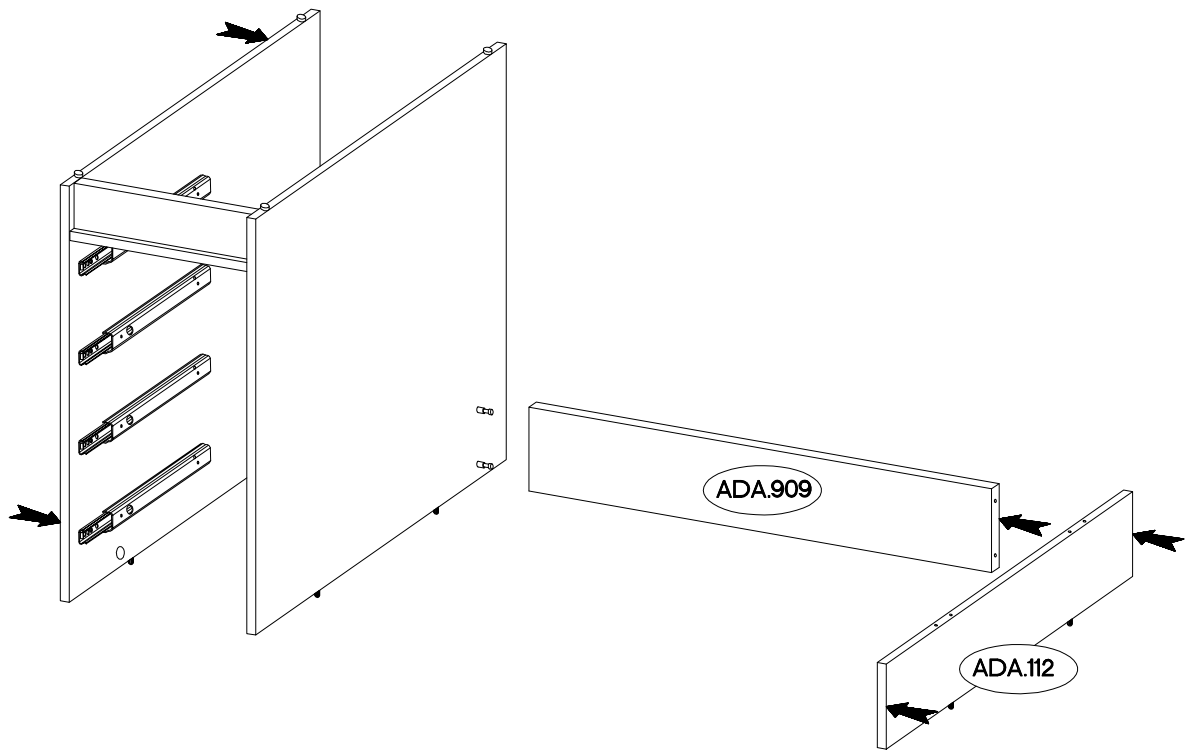
32



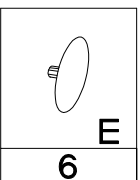
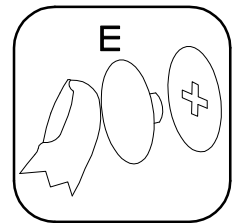
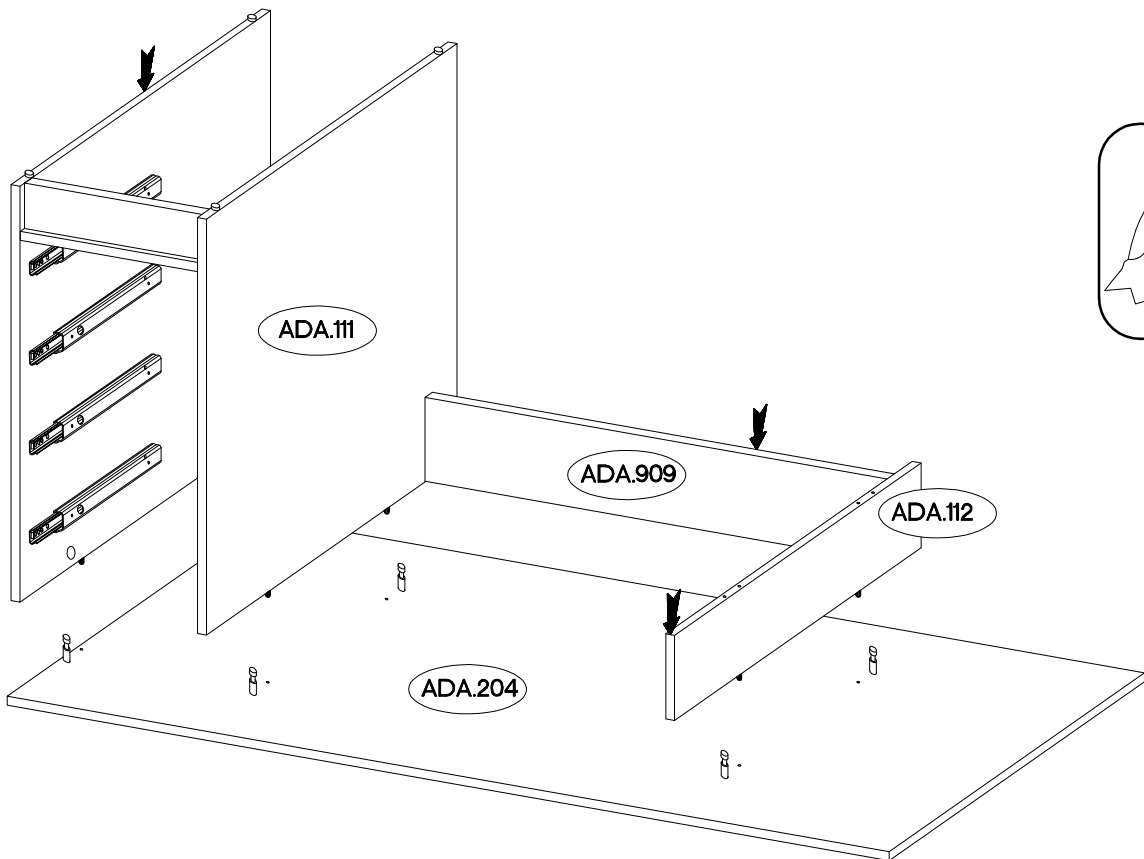
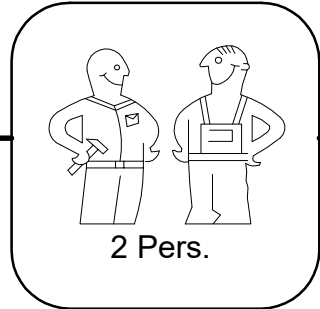
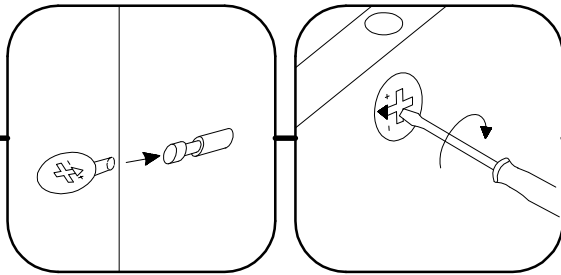
33

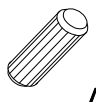



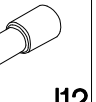


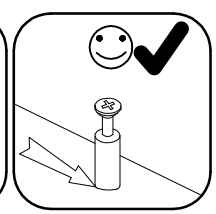
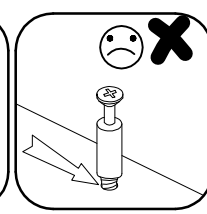
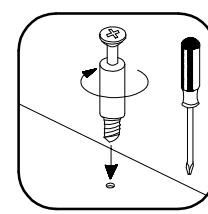
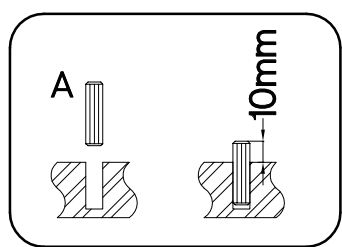
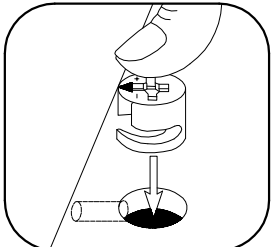
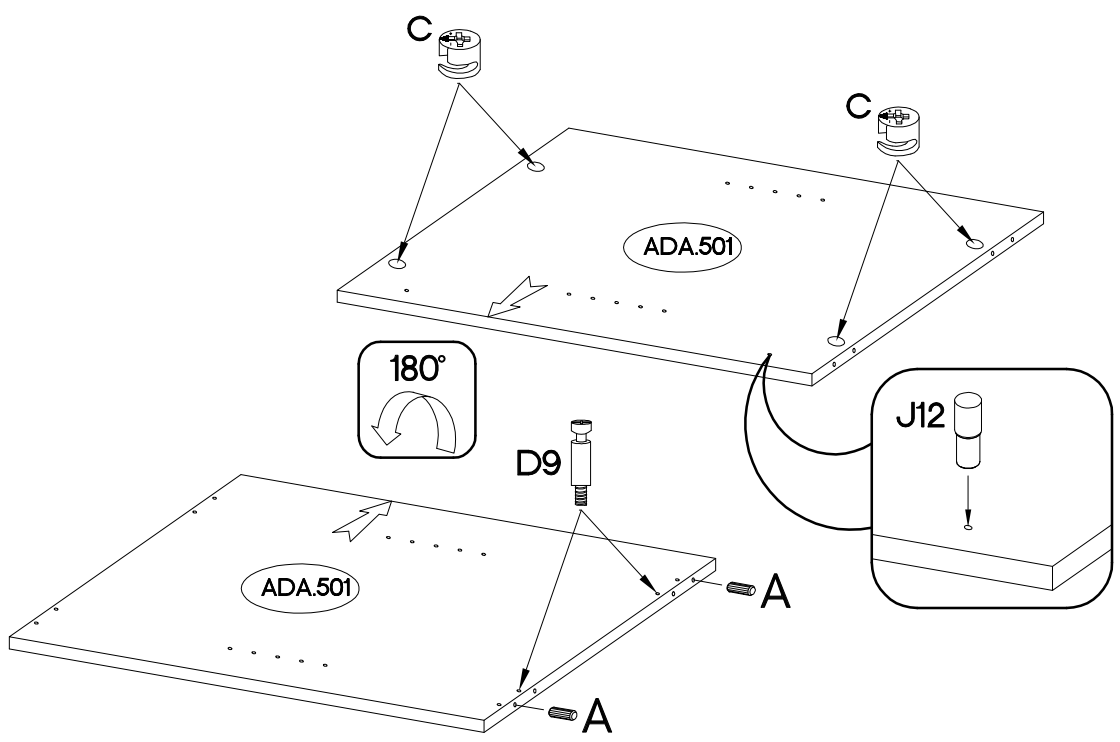
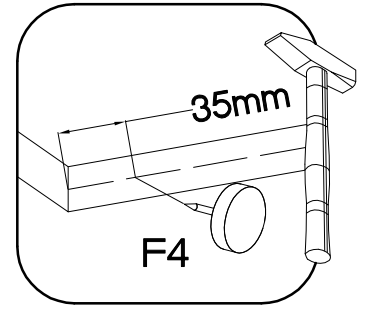
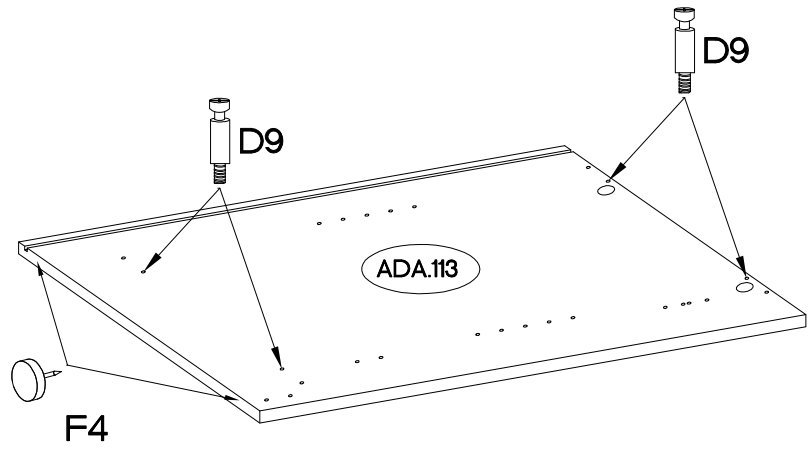
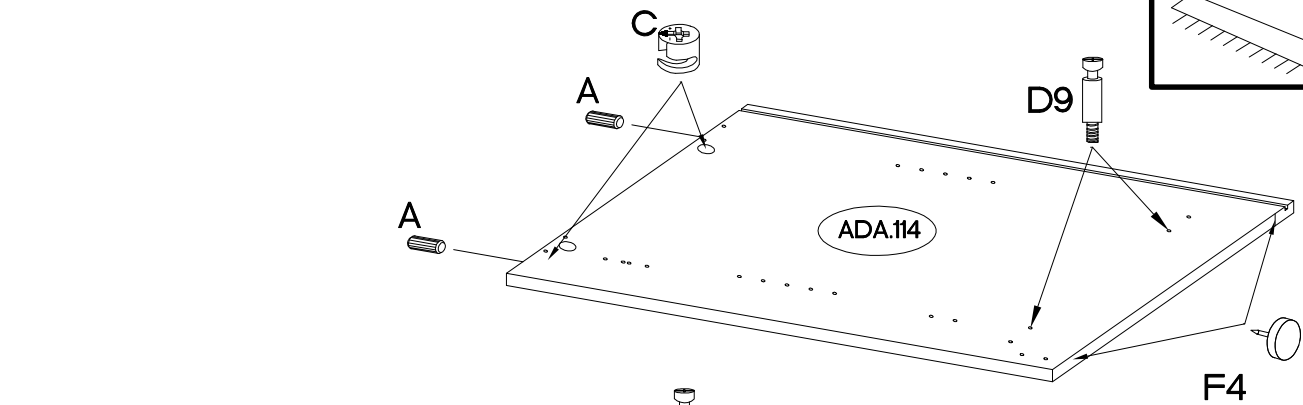
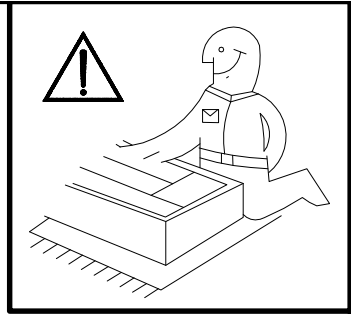
34




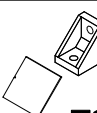



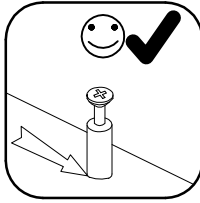
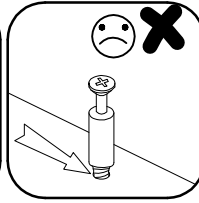
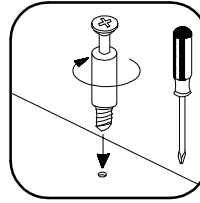
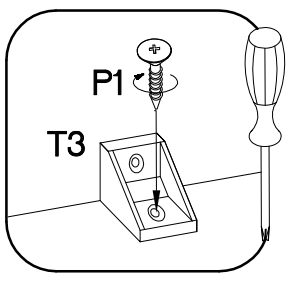
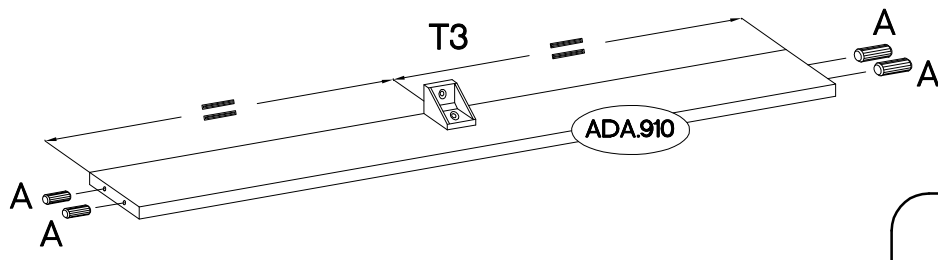
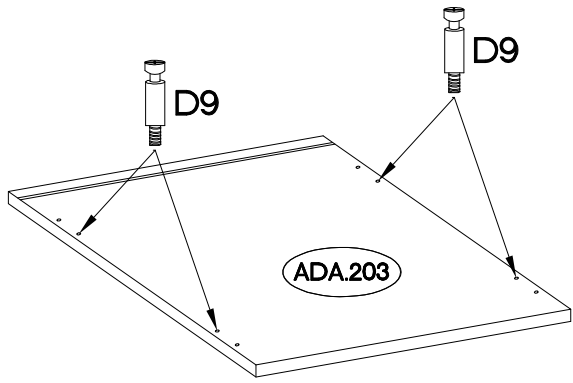
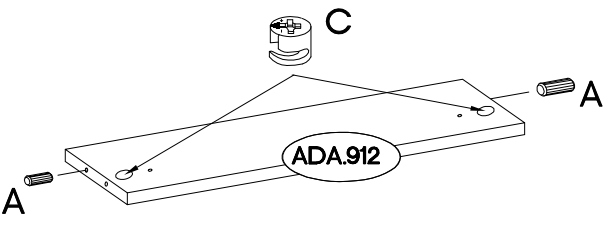
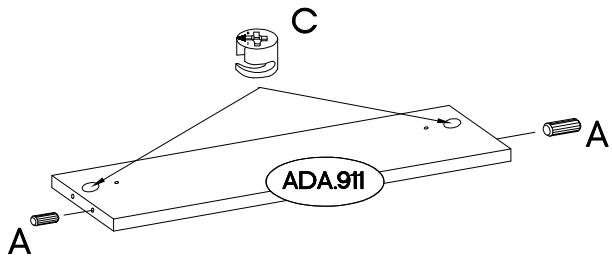
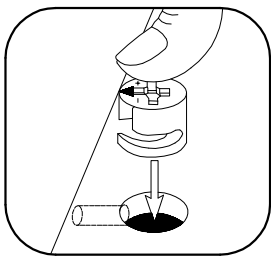
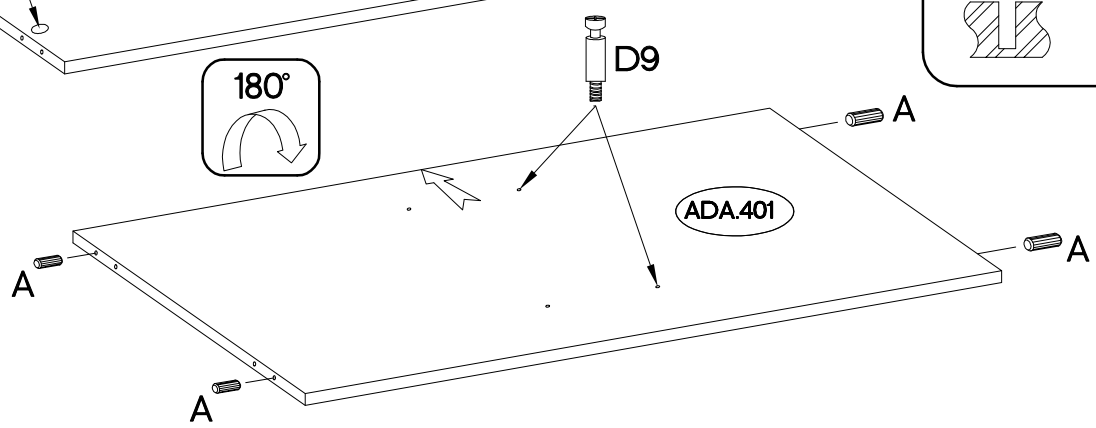
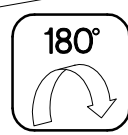
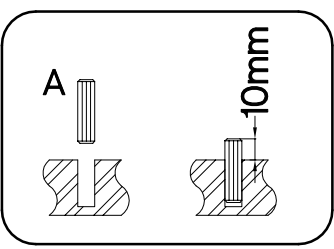
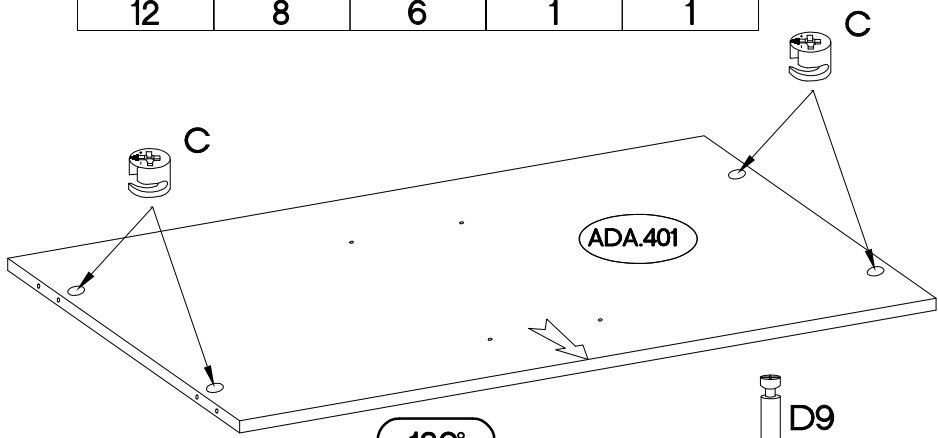
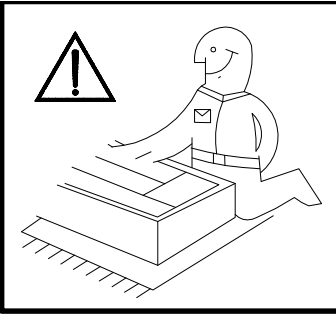
35

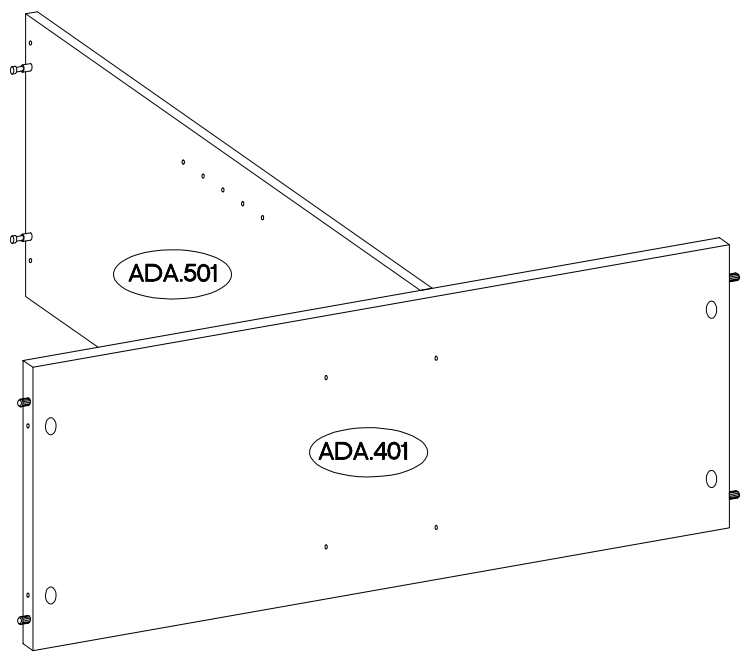
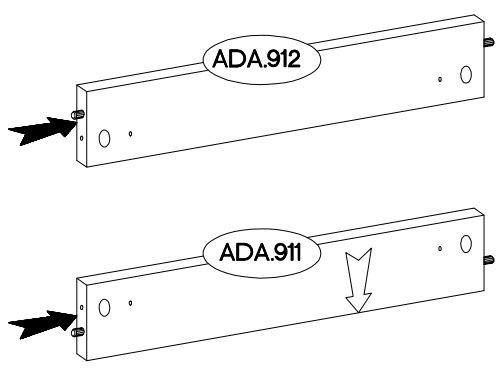
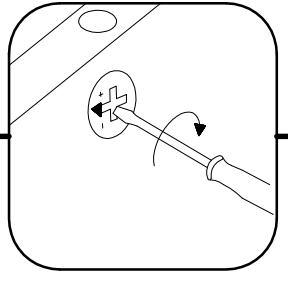
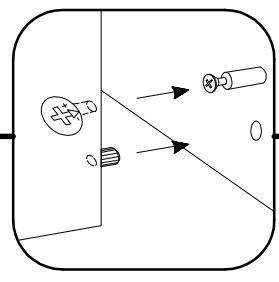
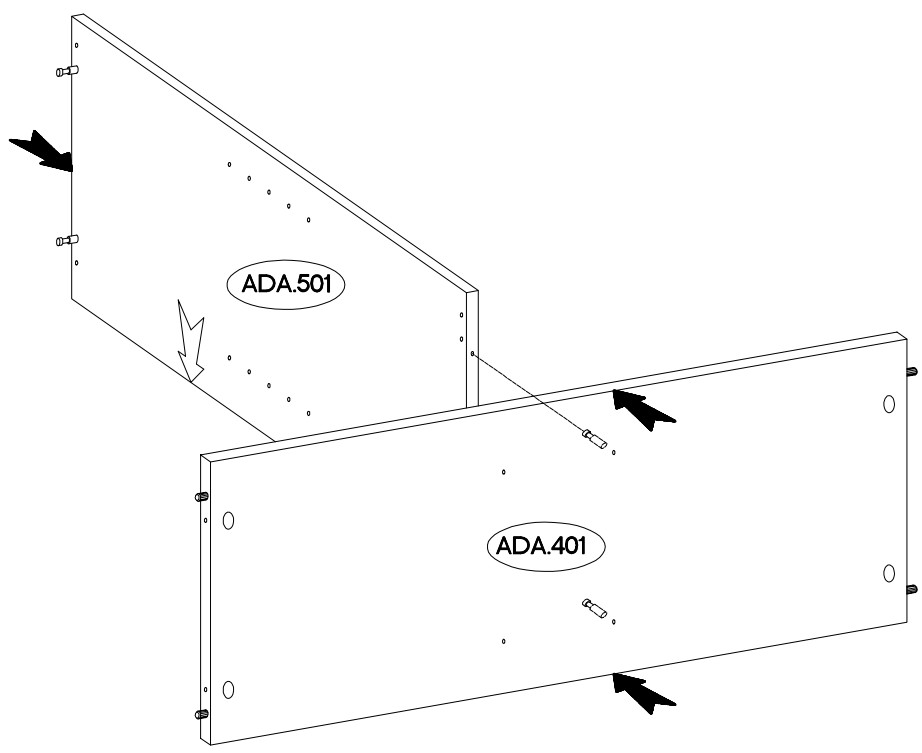
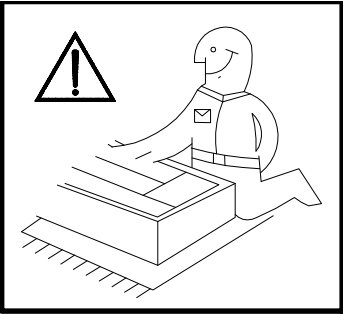


∅8x30mm	∅15/12mm	L=20/8mm	∅15x5mm	
				
A	C	D9	F4	J12
4	6	8	4	1

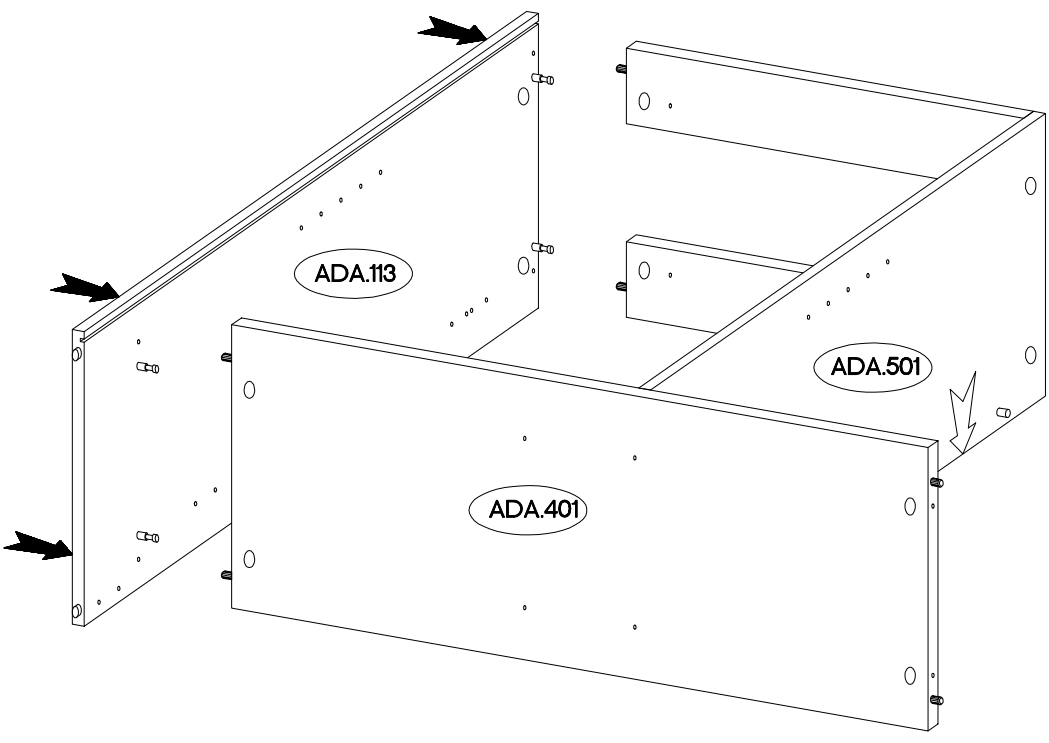
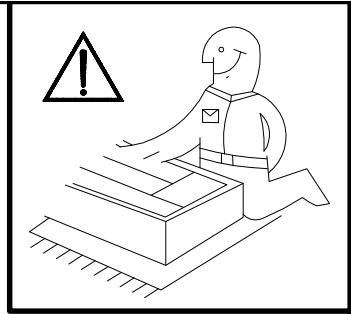


 <p>±8x30mm A</p>	 <p>±15/12mm C</p>	 <p>L=20/8mm D9</p>	 <p>T3</p>	 <p>±4.0x16mm P1</p>
12	8	6	1	1

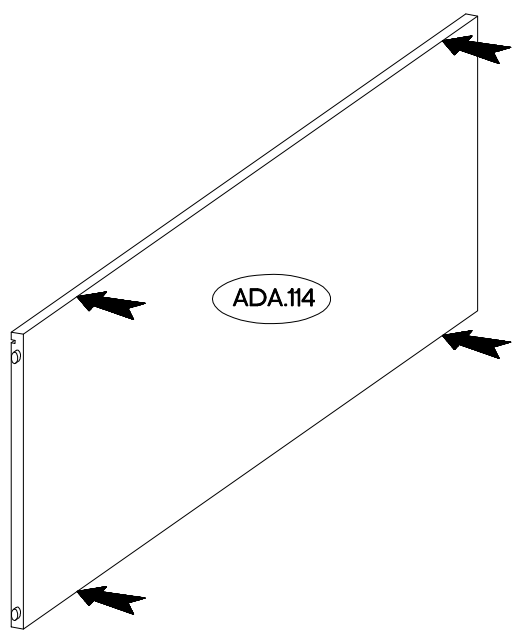
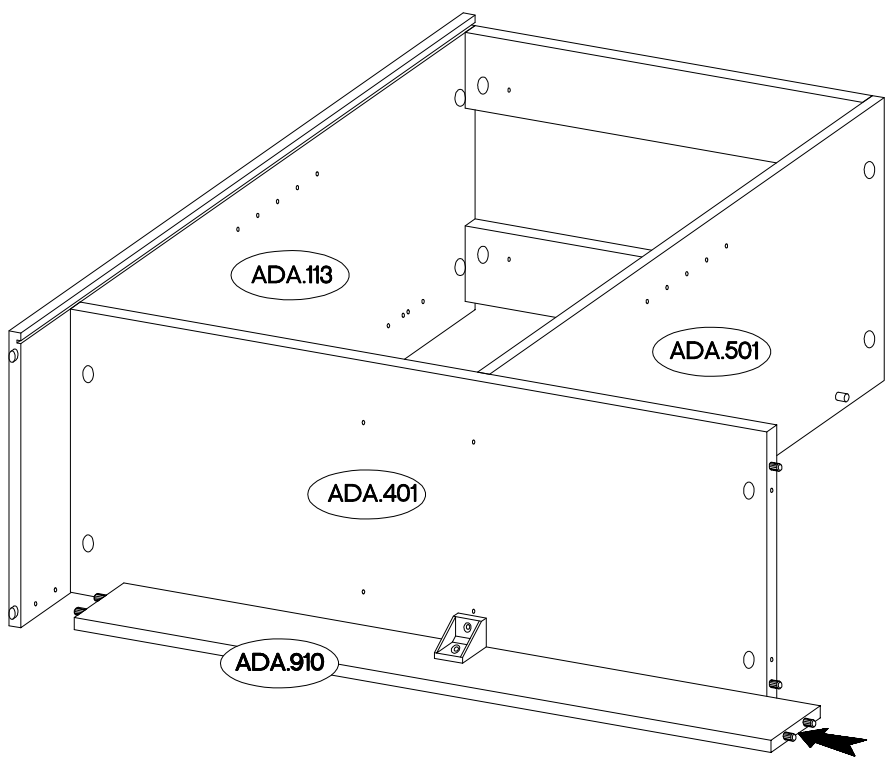
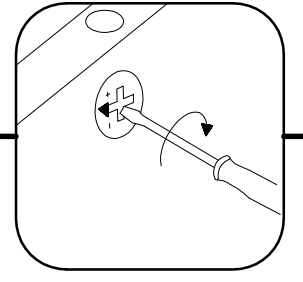
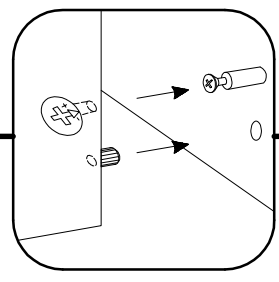




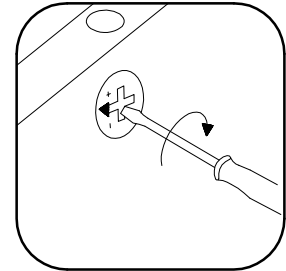
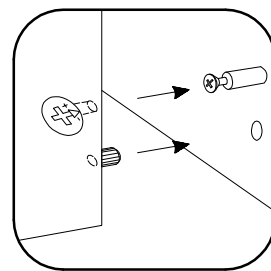
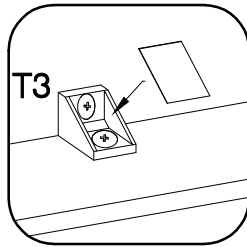
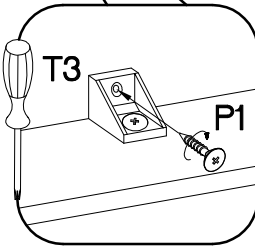
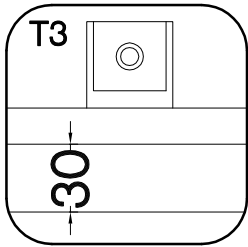
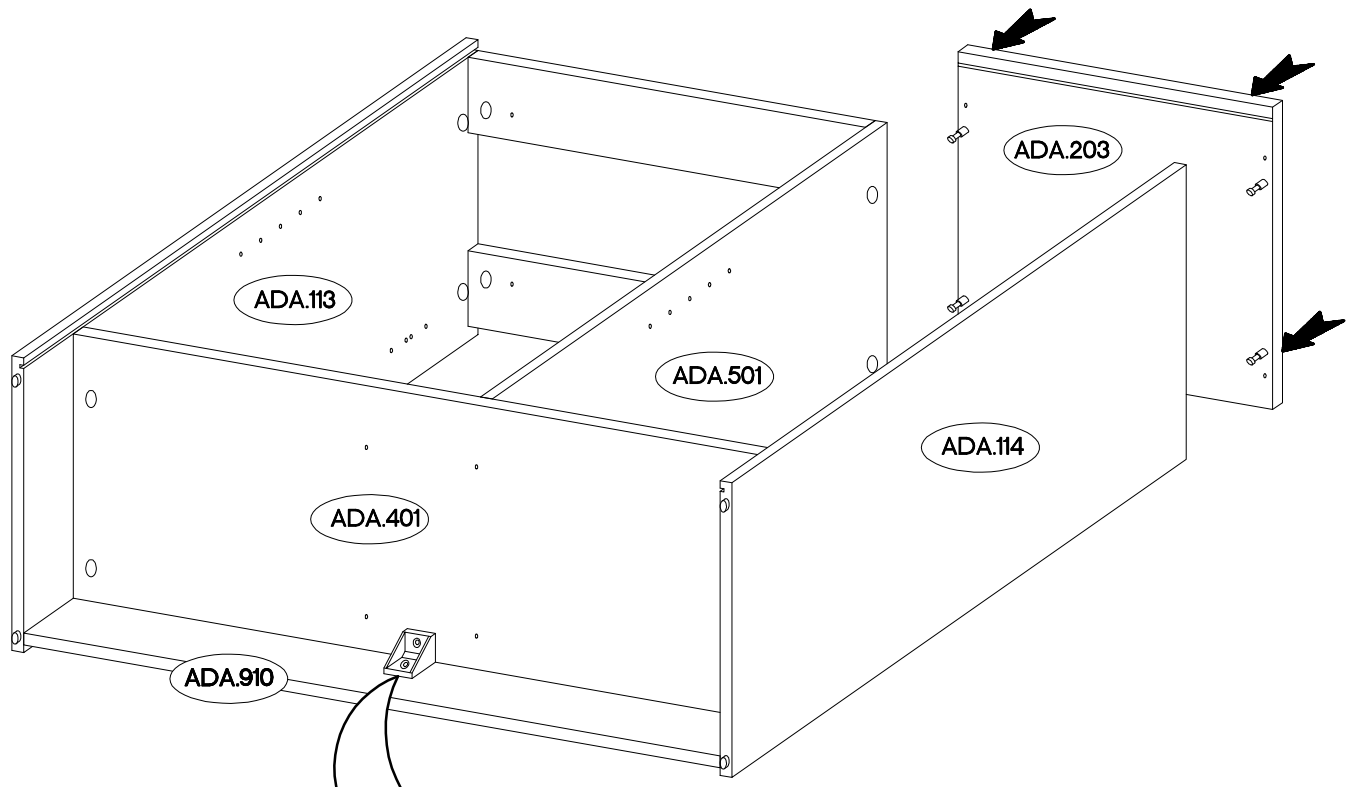
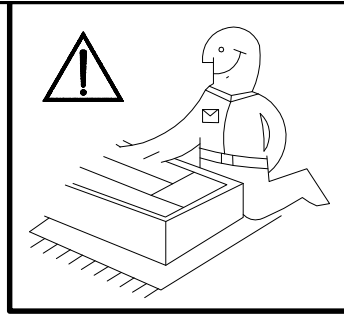

40


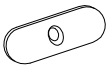


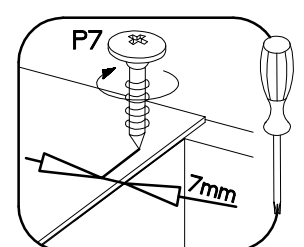
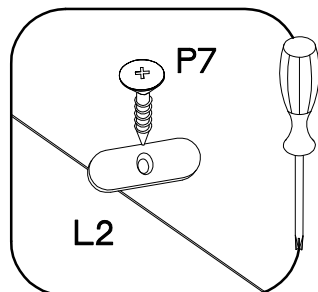
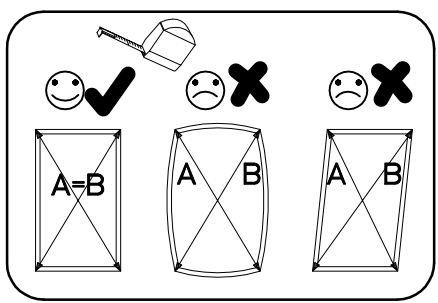
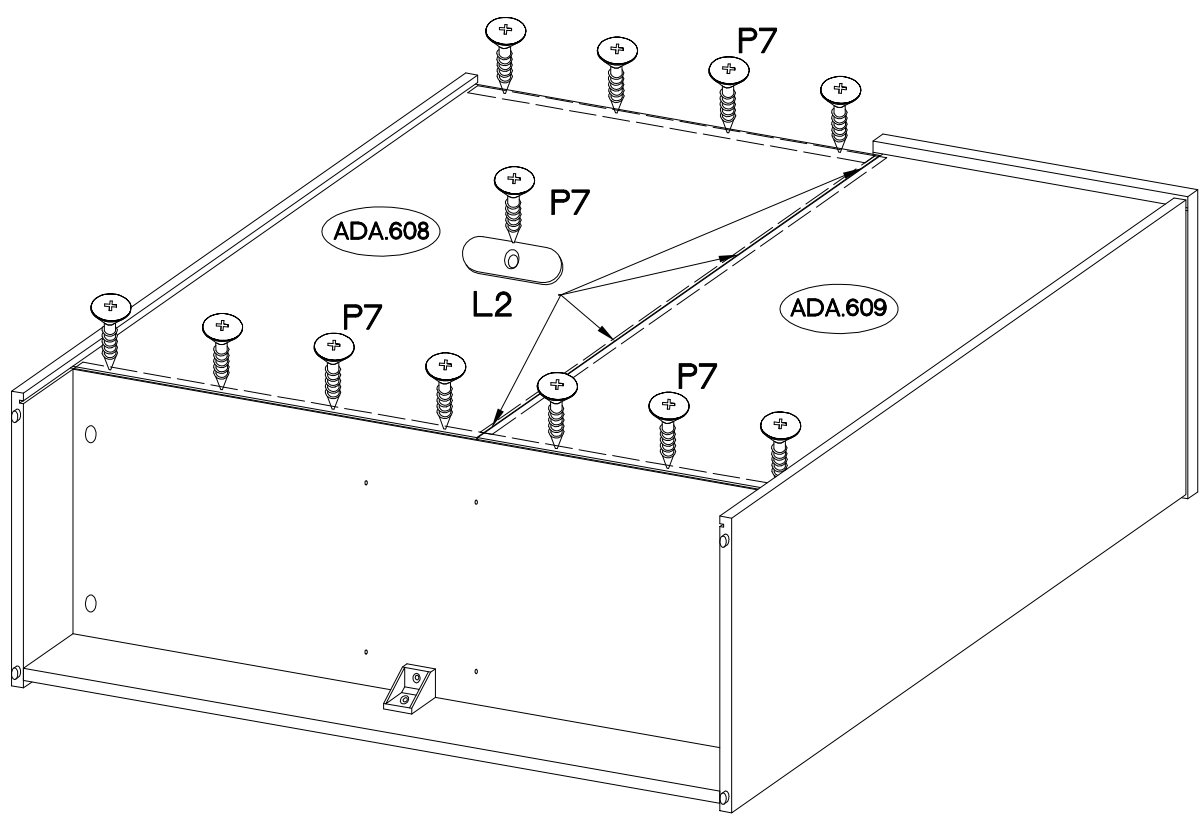
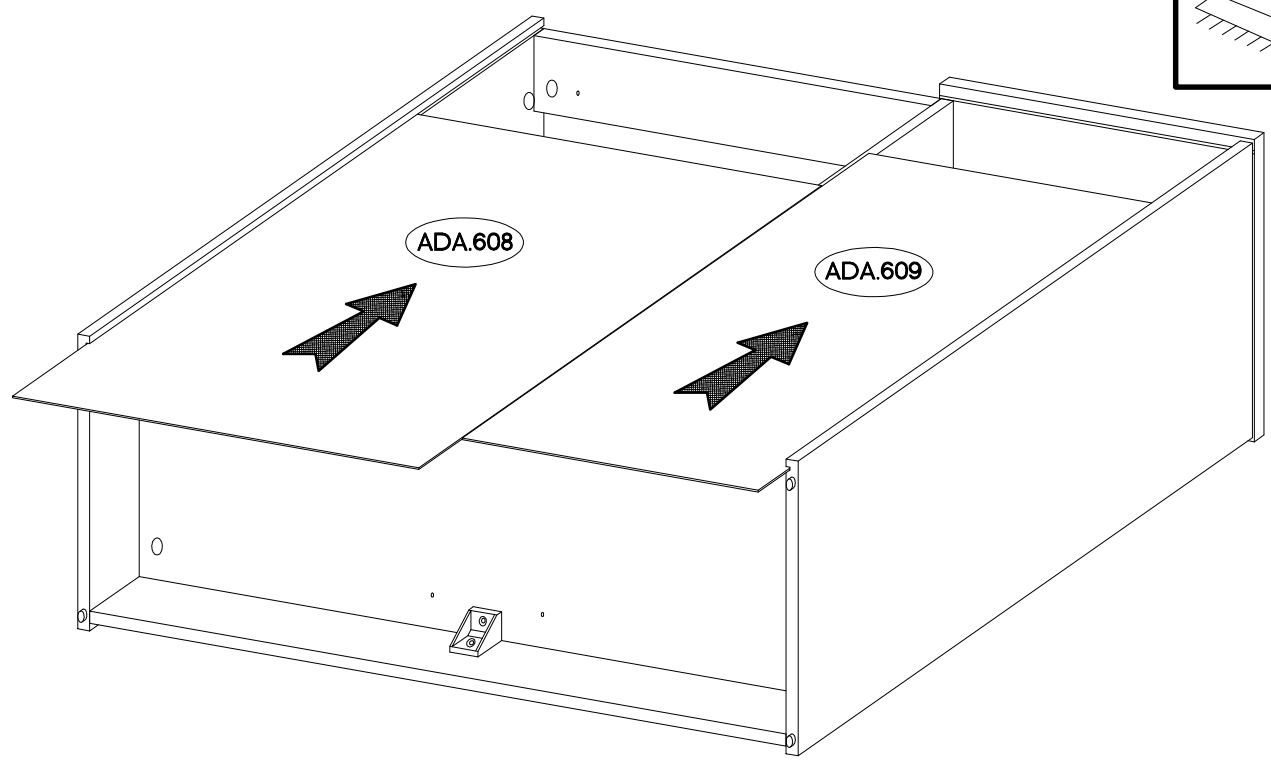
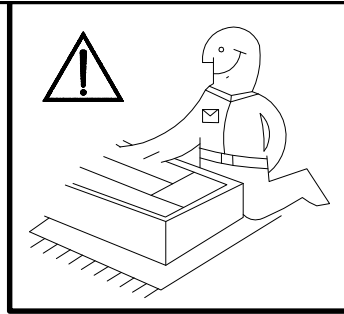
41



4.0x16mm
P1
1



±3.0x20mm  P7 15	 L2 4
---	---

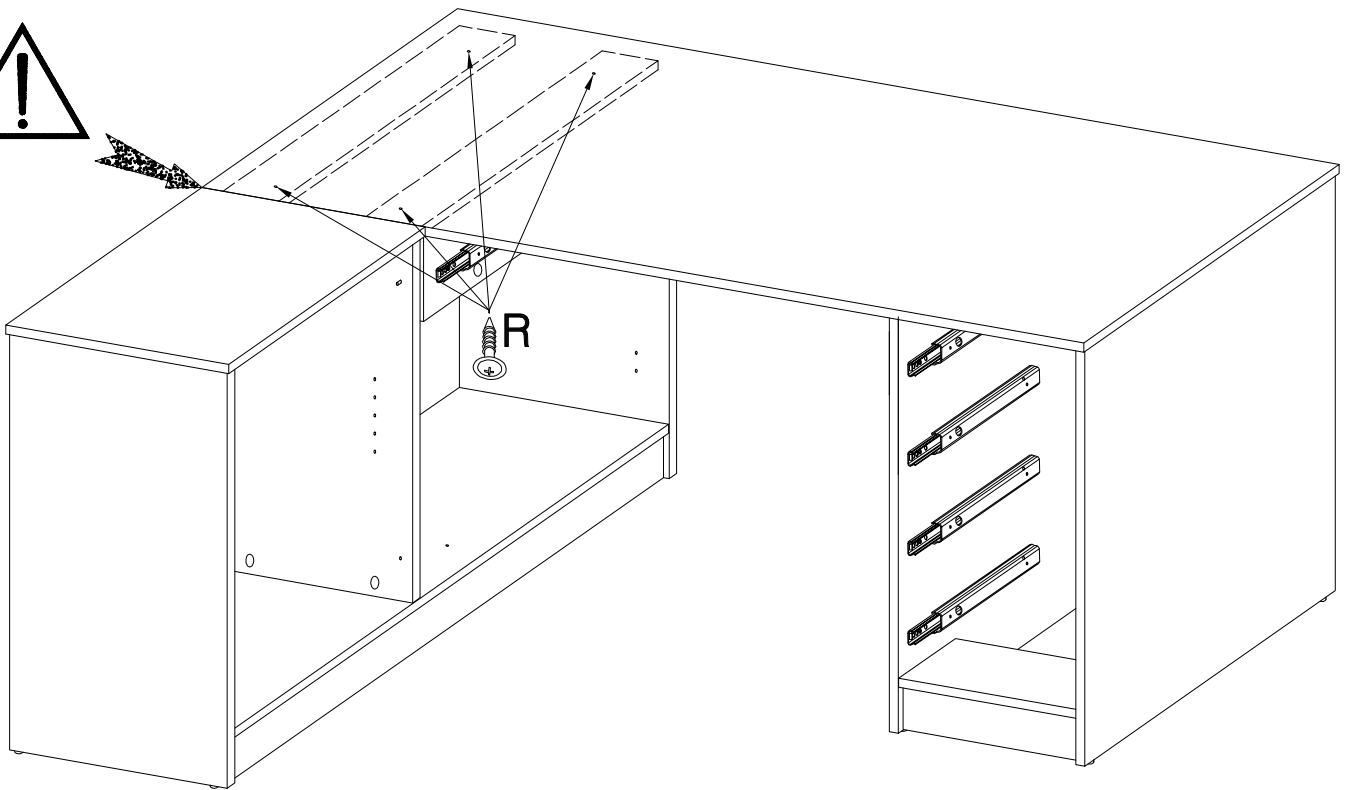
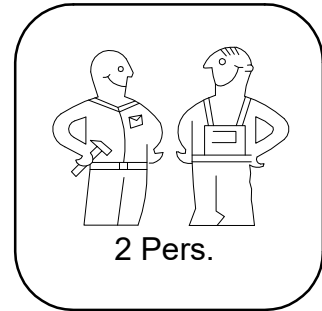
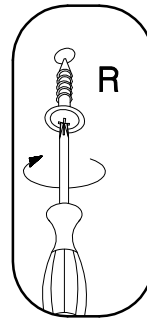
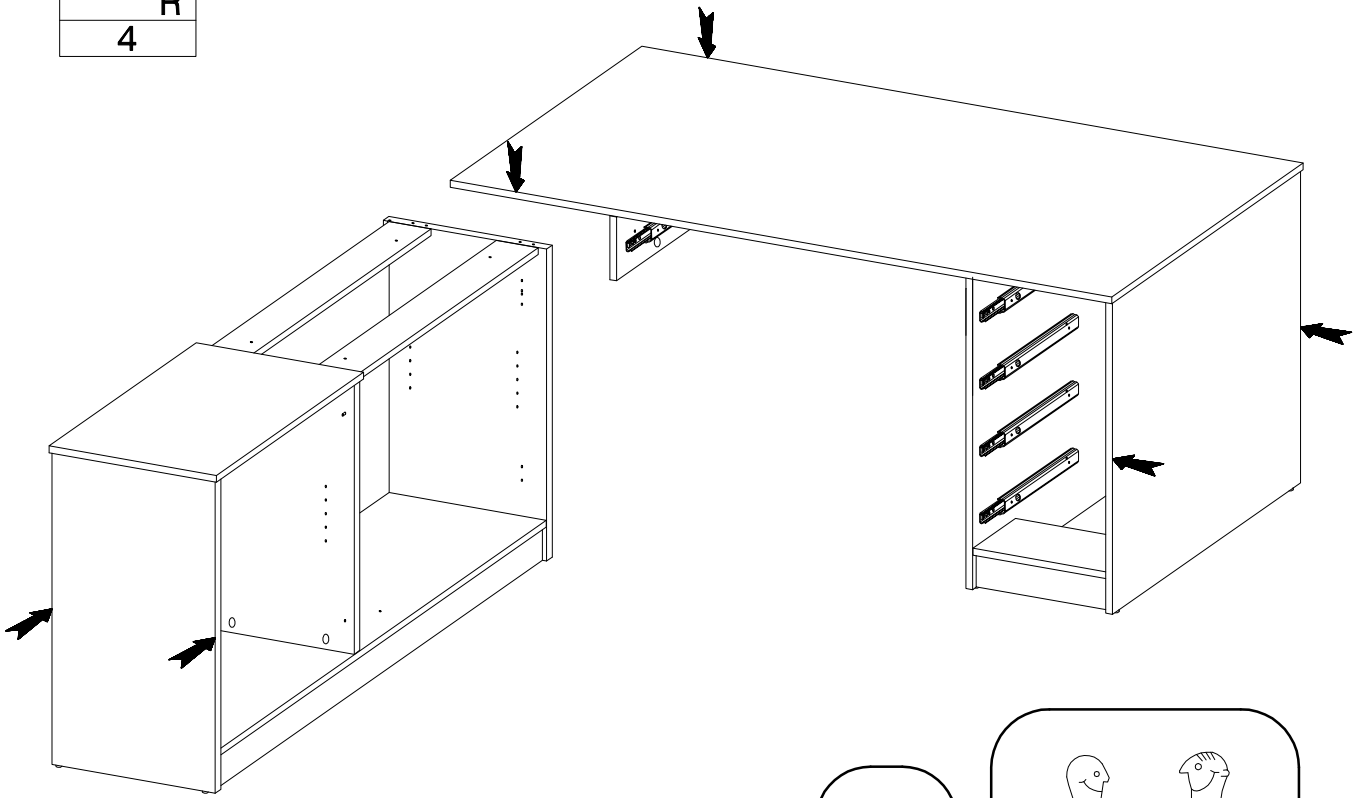




4.0x25mm

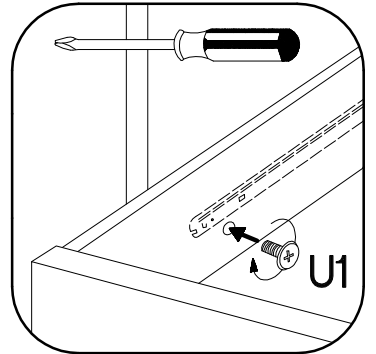
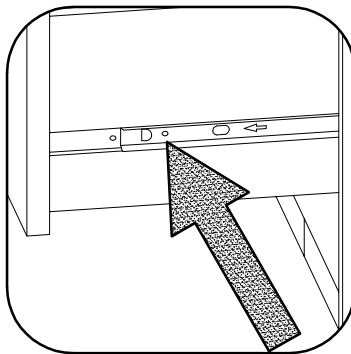
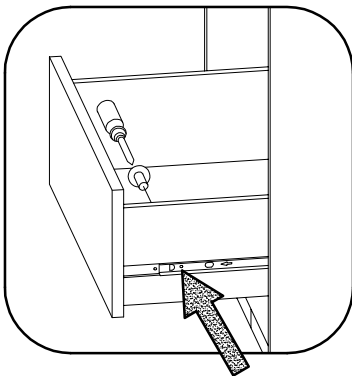
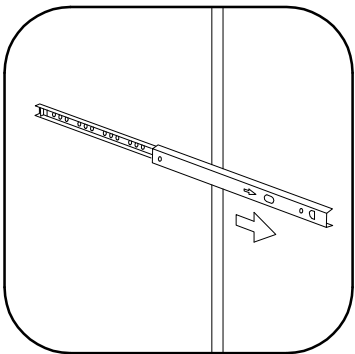
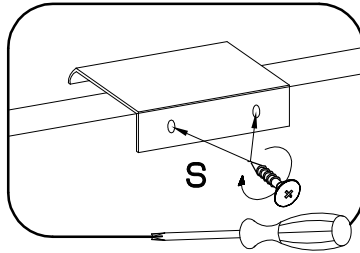
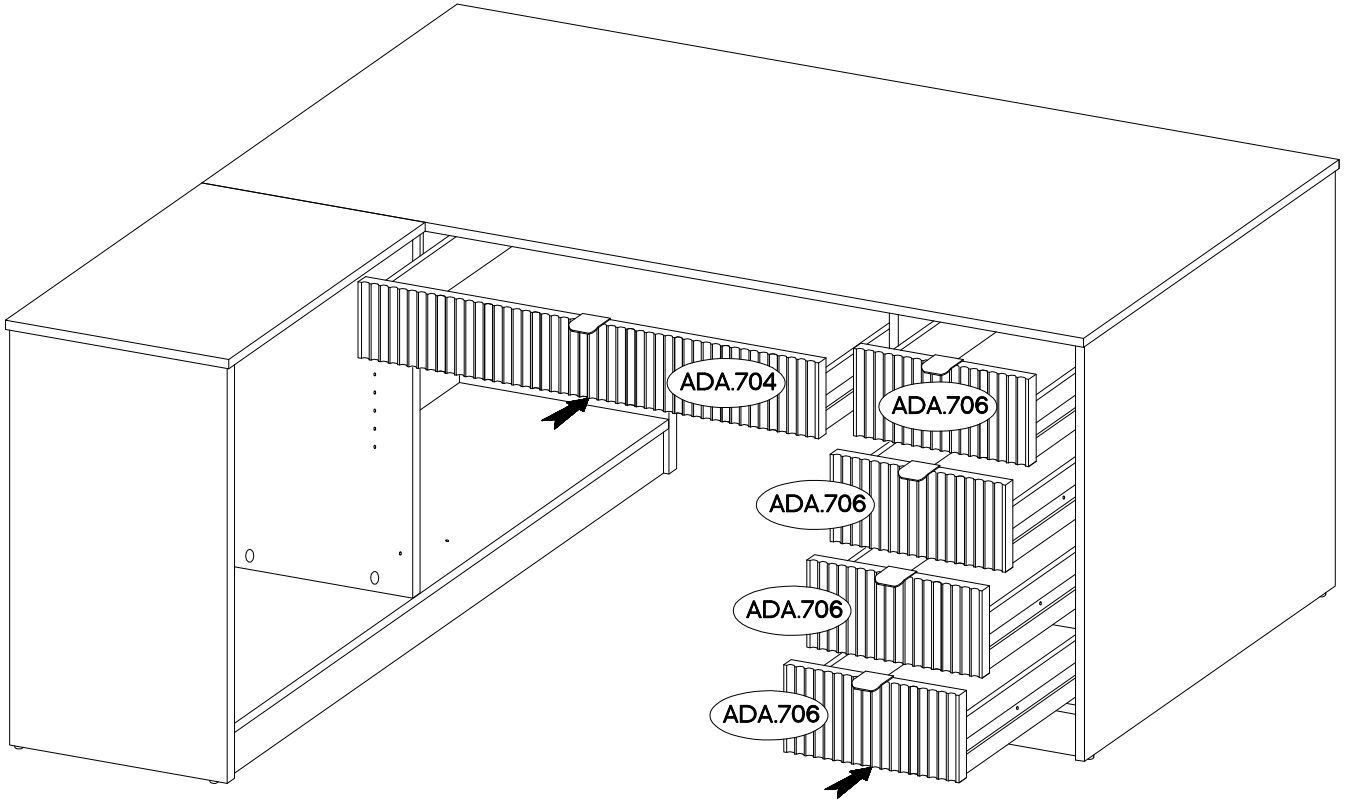


R

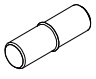

4

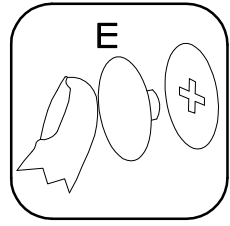
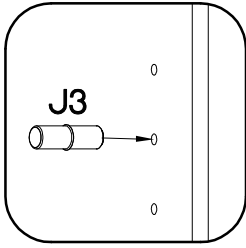
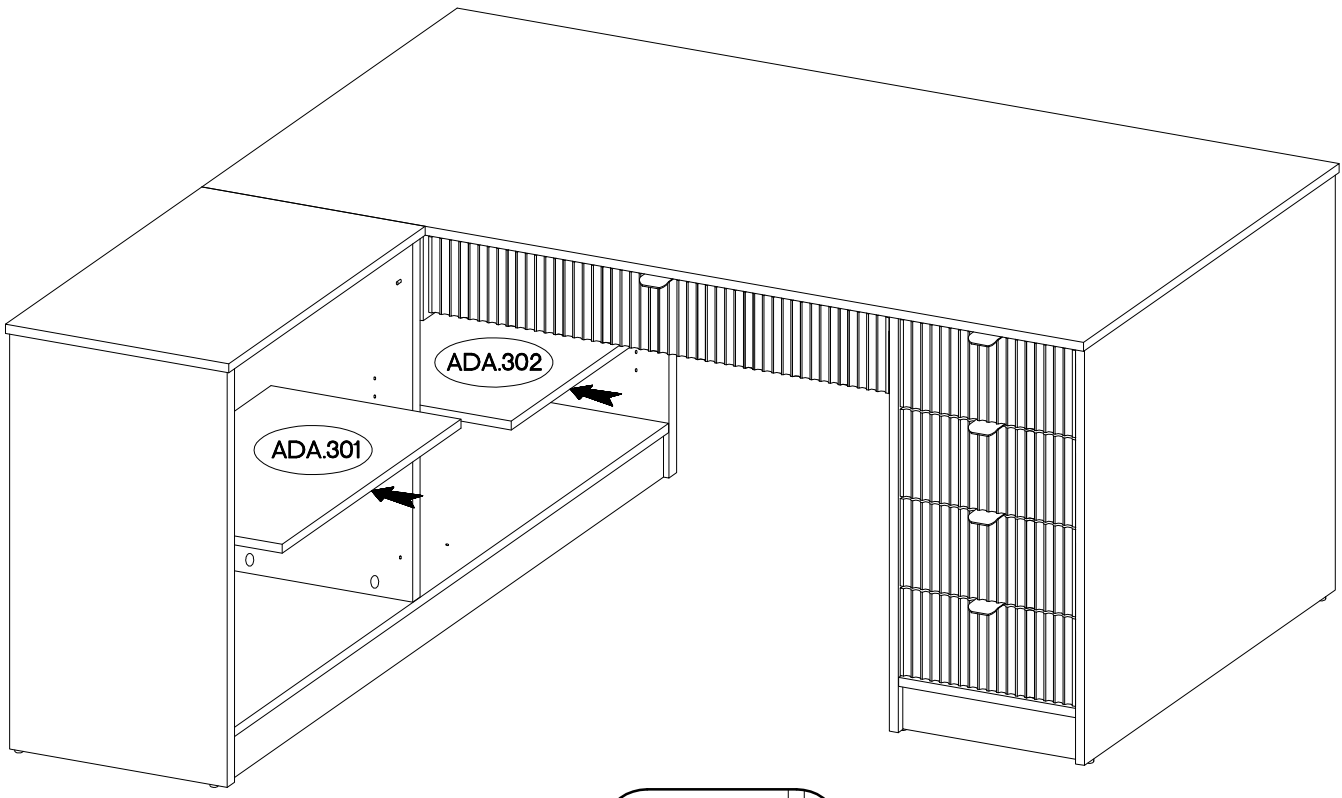


M4x9mm	L=32mm
	
U1	S
10	5





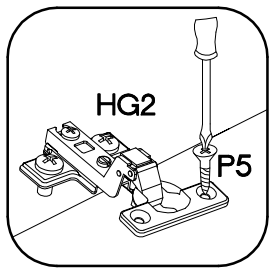
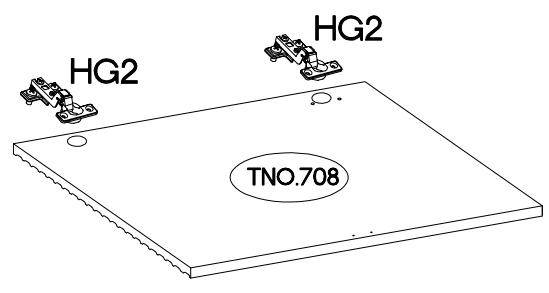
46


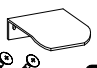
+5/16mm		
	J3	E
8		6



47

+35/16mm	+3.5x13mm
	
HG2	P5
2	4



+5	L=32mm
	
E2	S
2	1

