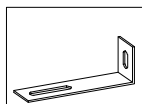
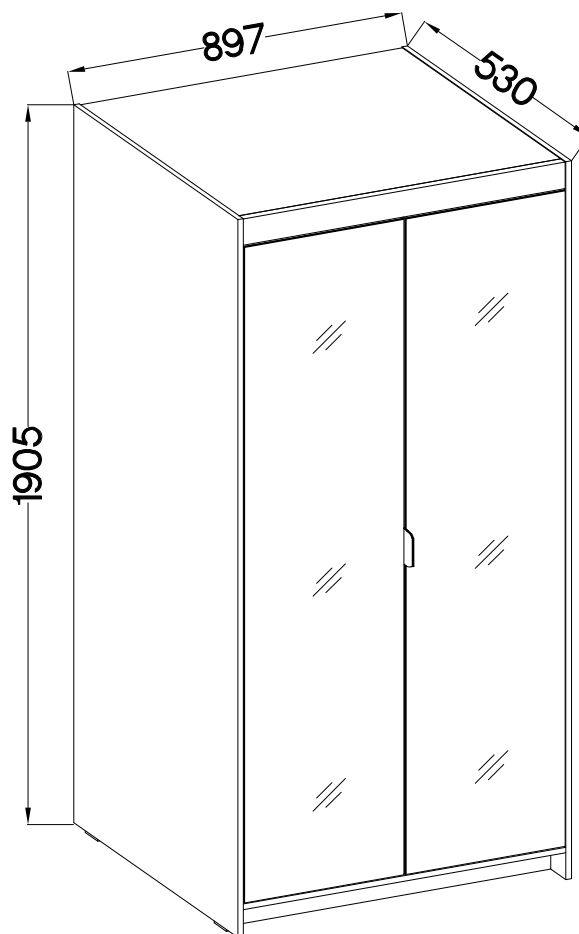
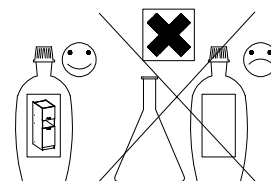


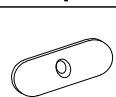
120 min

ELENA 2D-L



L19

1



L2

14



G2

6



C

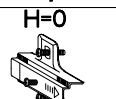
20

+5.0x60mm



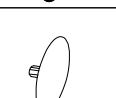
P12

1



H

6



E

20

+10x50mm



O7

1



P5

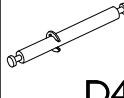
16



A

42

L=56mm



D4

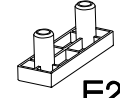
2



D2

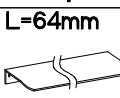
16

6.5x48x16



F2

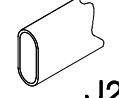
4



S

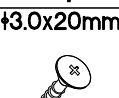
2

L=418mm



J2

1



P7

57

L=418mm



J17

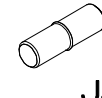
2



F4

2

+5/16mm



J3

12



H=0

H

6



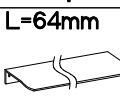
+8x30mm

42



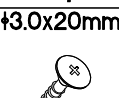
L=20mm

16



L=64mm

2



+3.0x20mm

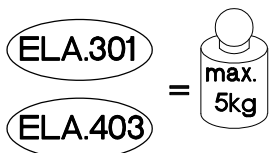
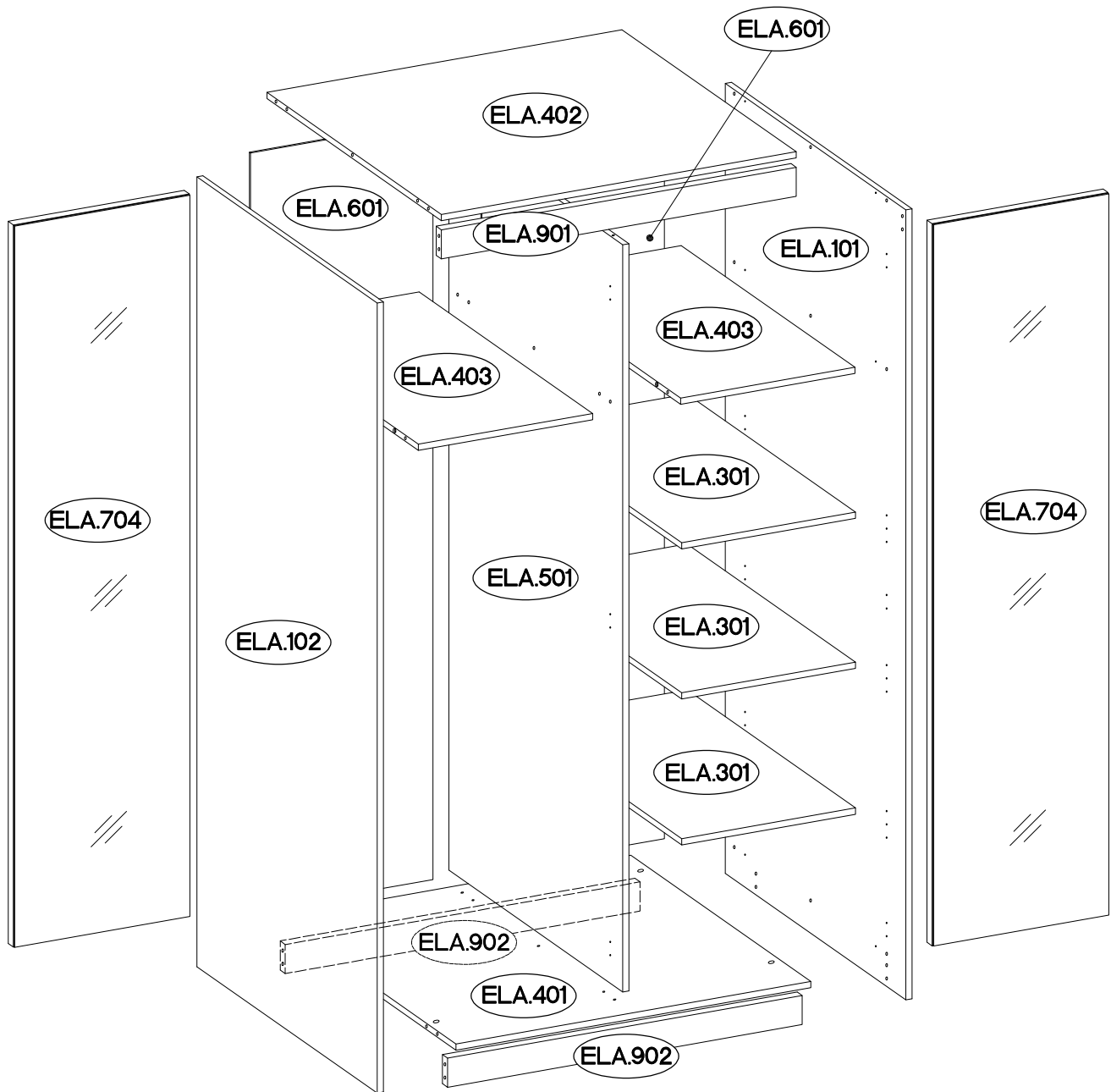
57



+15x5mm

2

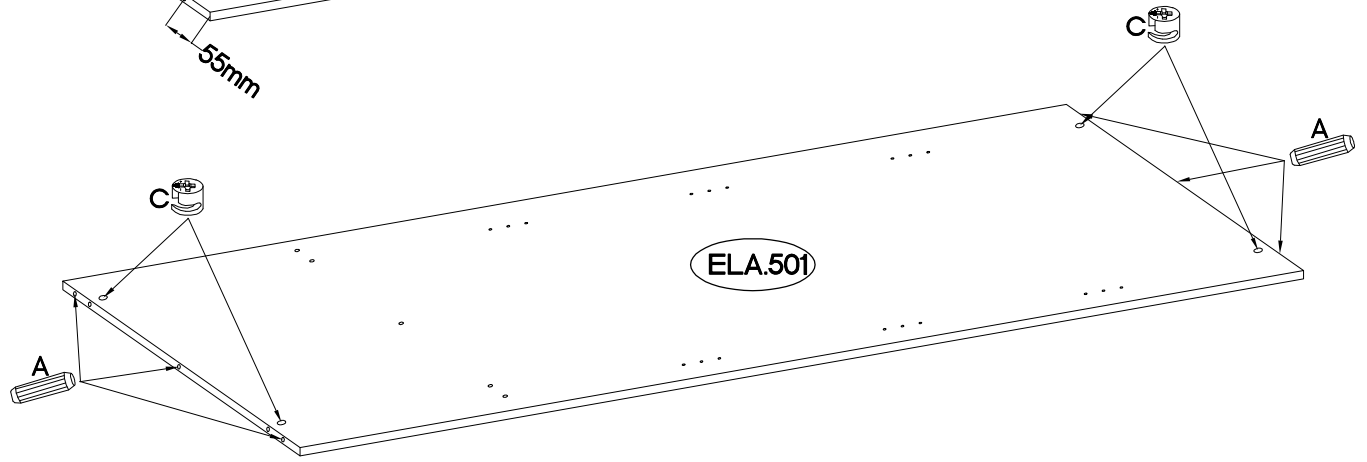
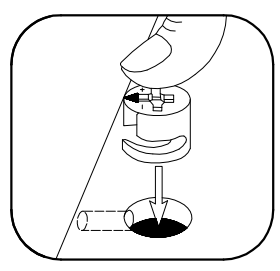
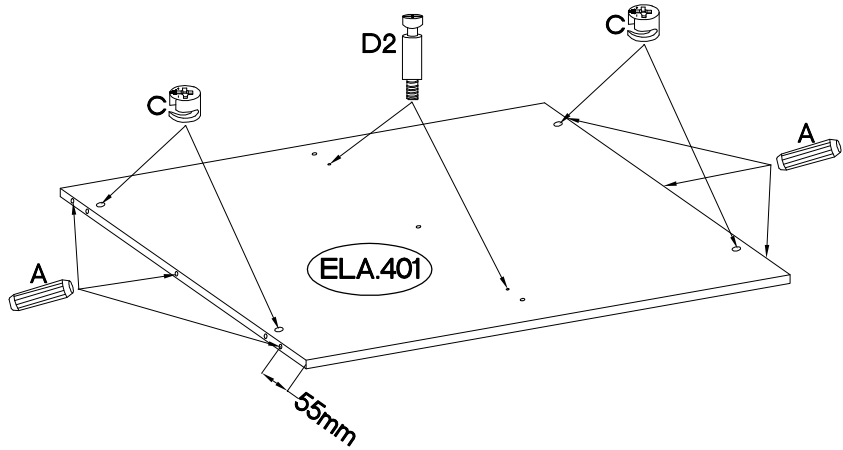
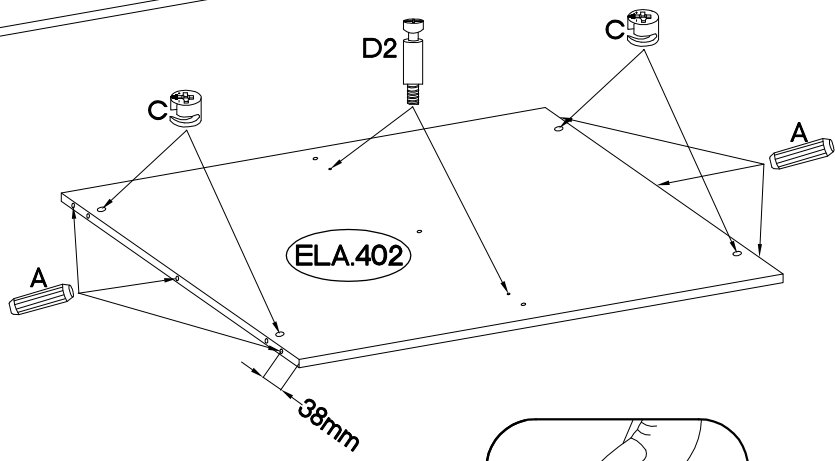
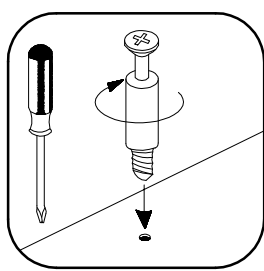
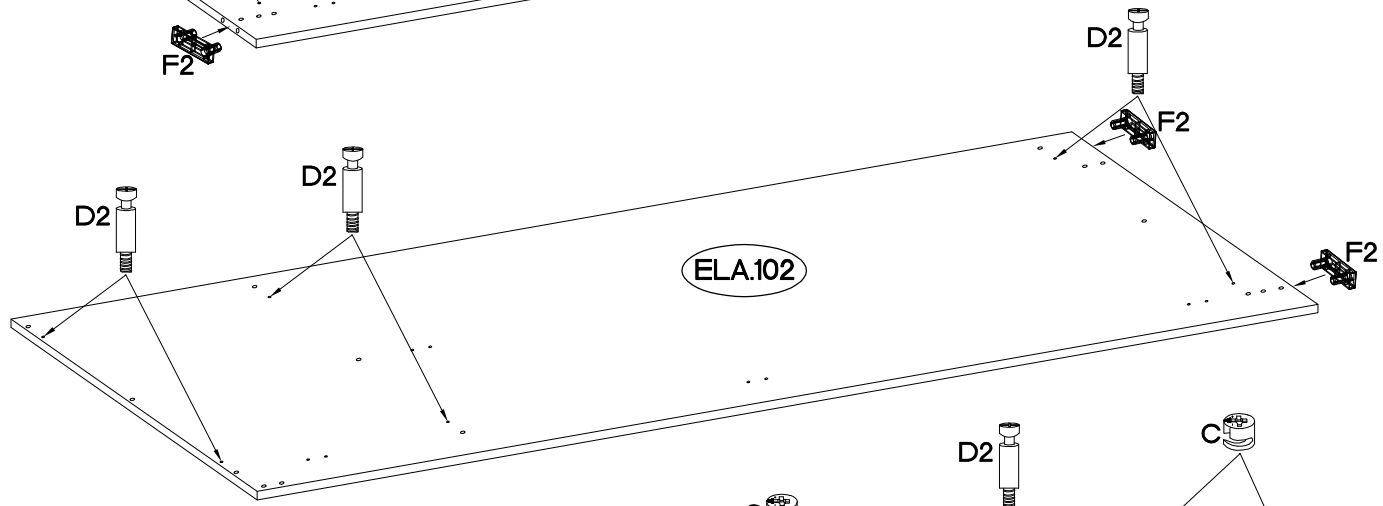
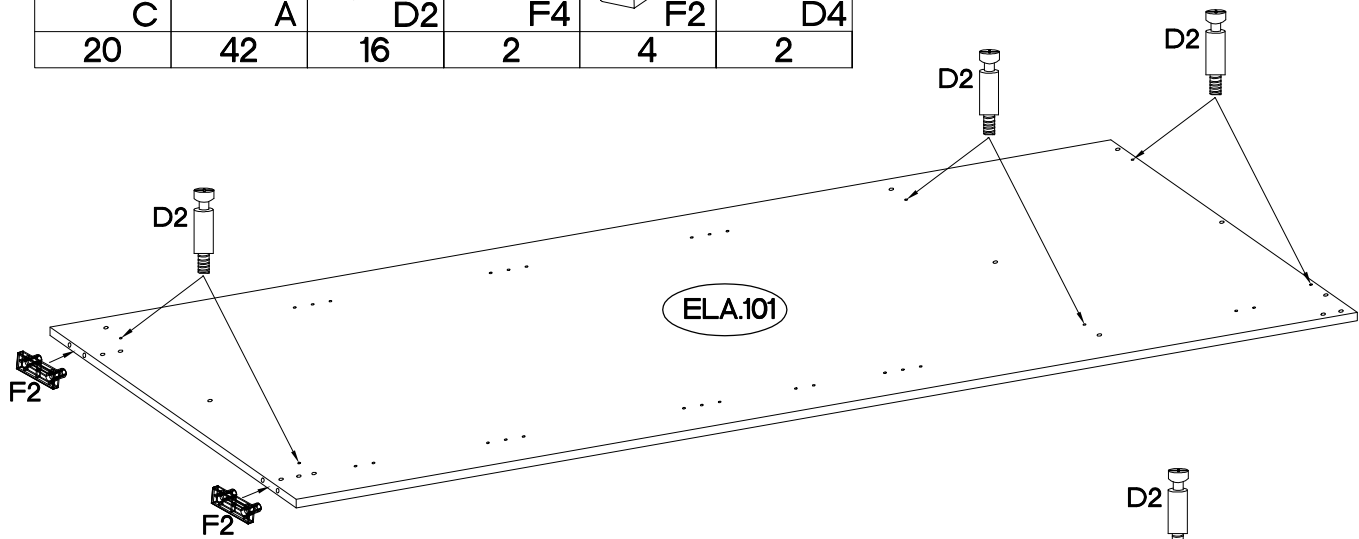
P-ISM-ELA-12

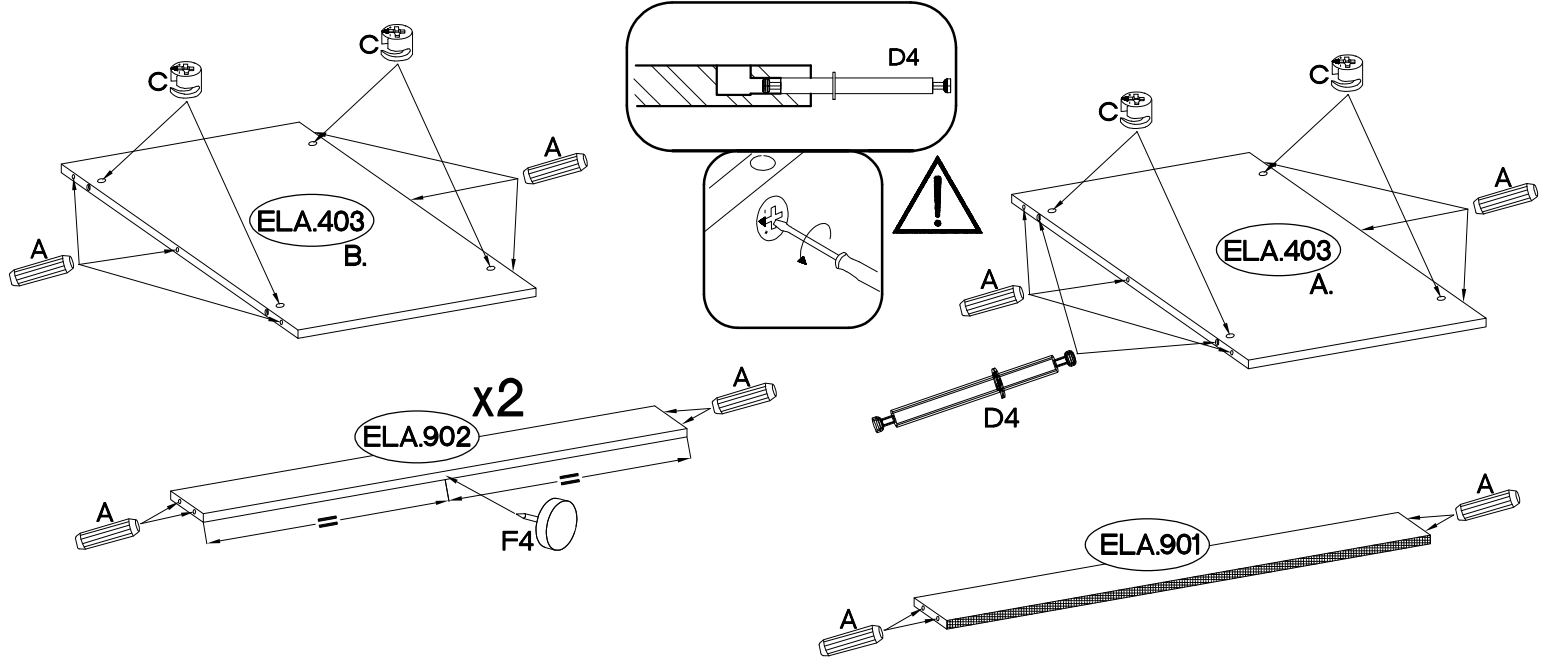


Colli	Ersatzteil Nummer	Dimension
Colli 1/2	ELA.102	1900x530x15
	ELA.301 x3	425x495x15
	ELA.401	867x529x15
	ELA.402	867x512x15
	ELA.403 x2	426x510x15
	ELA.901	867x70x15
	ELA.902 x2	867x70x15

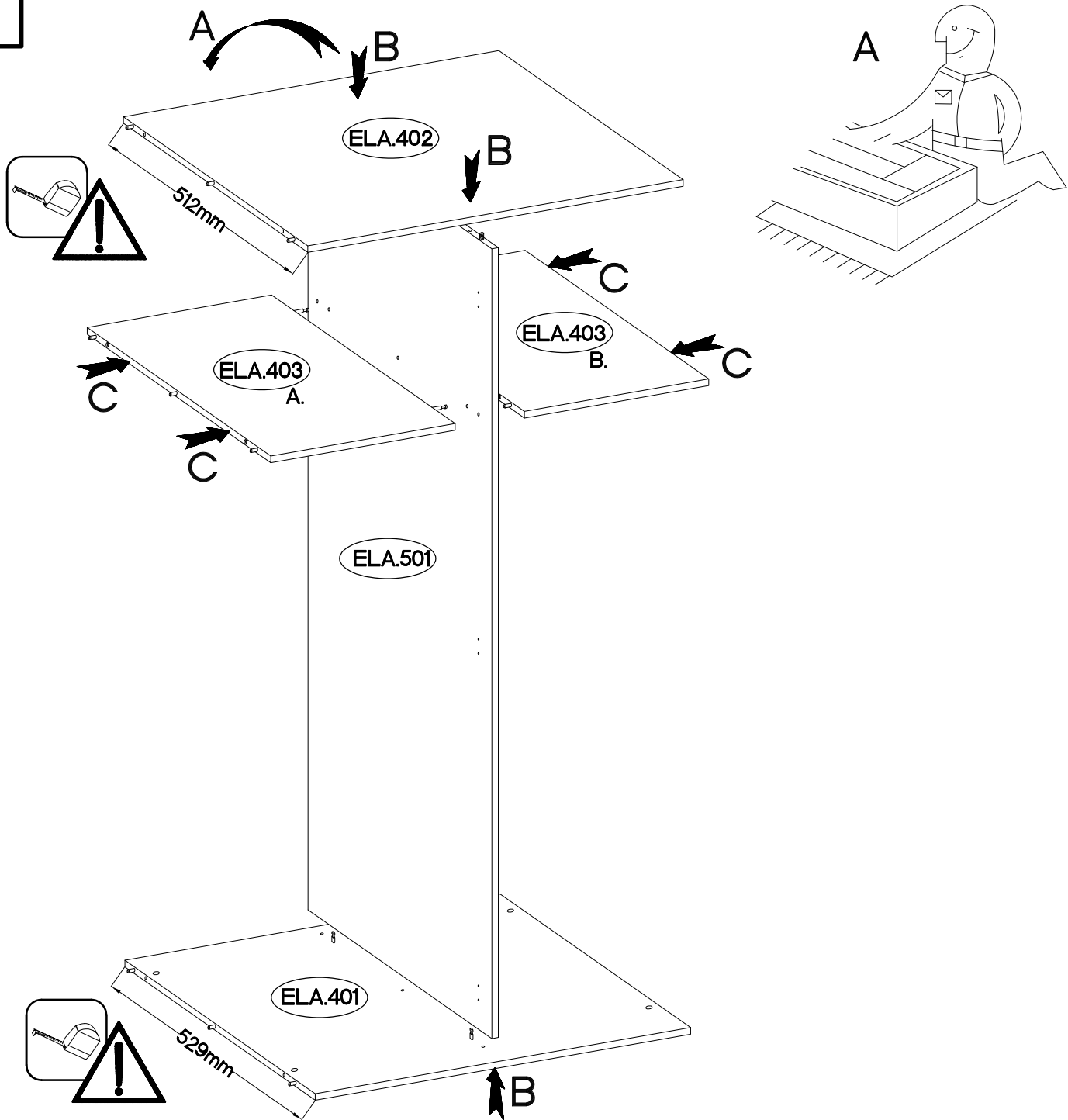
Colli	Ersatzteil Nummer	Dimension
Colli 2/2	ELA.101	1900x530x15
	ELA.501	1797x511x15
	ELA.601 x2	1825x446x2,5
	ELA.704 x2	1737x430x18

∅5/12mm	∅8x30mm	L=20mm	∅15x5mm	6.5x48x16	L=56mm
C	A	D2	F4	F2	D4
20	42	16	2	4	2

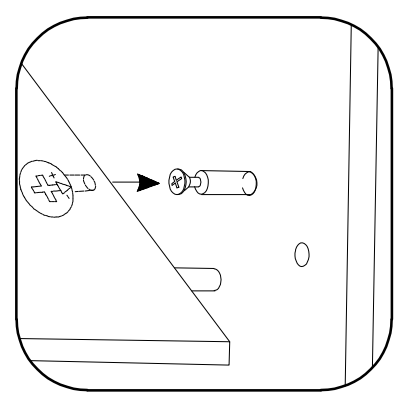
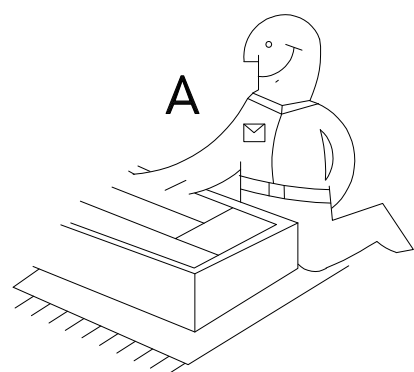
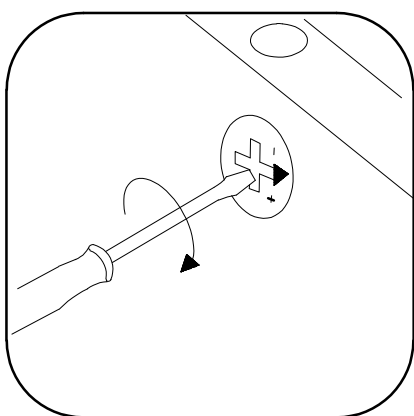
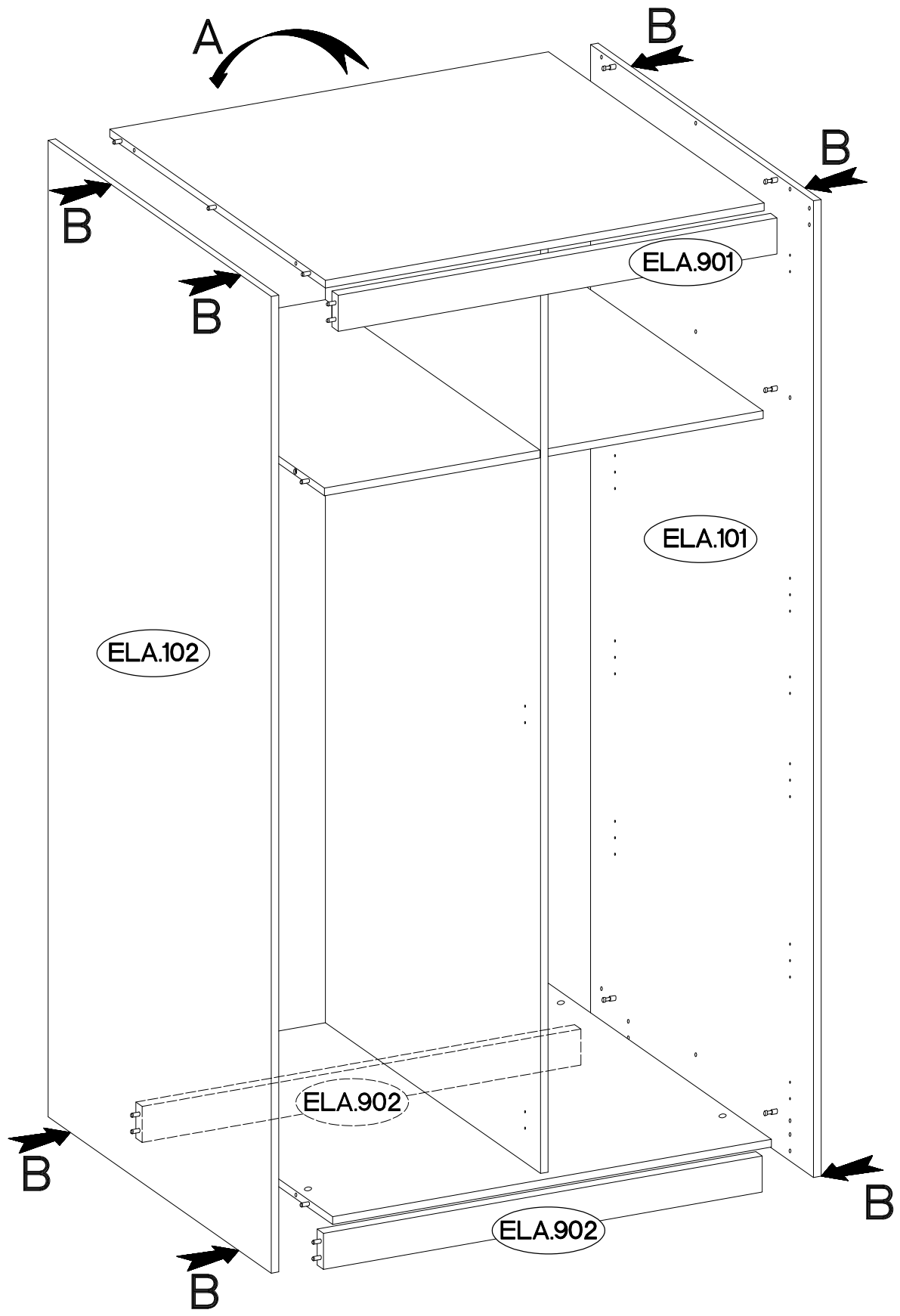


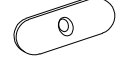


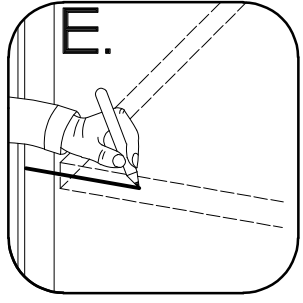
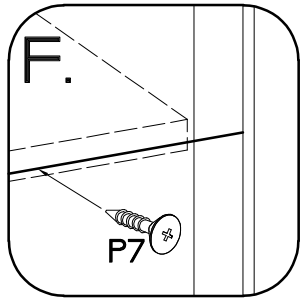
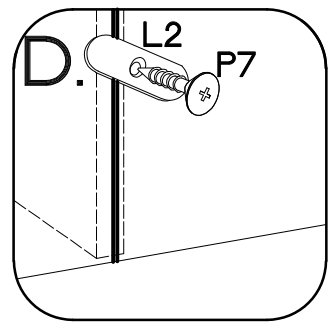
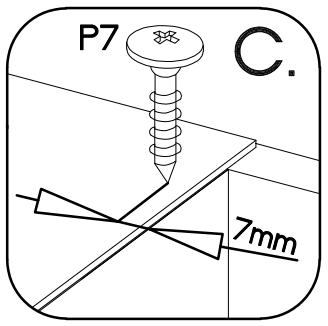
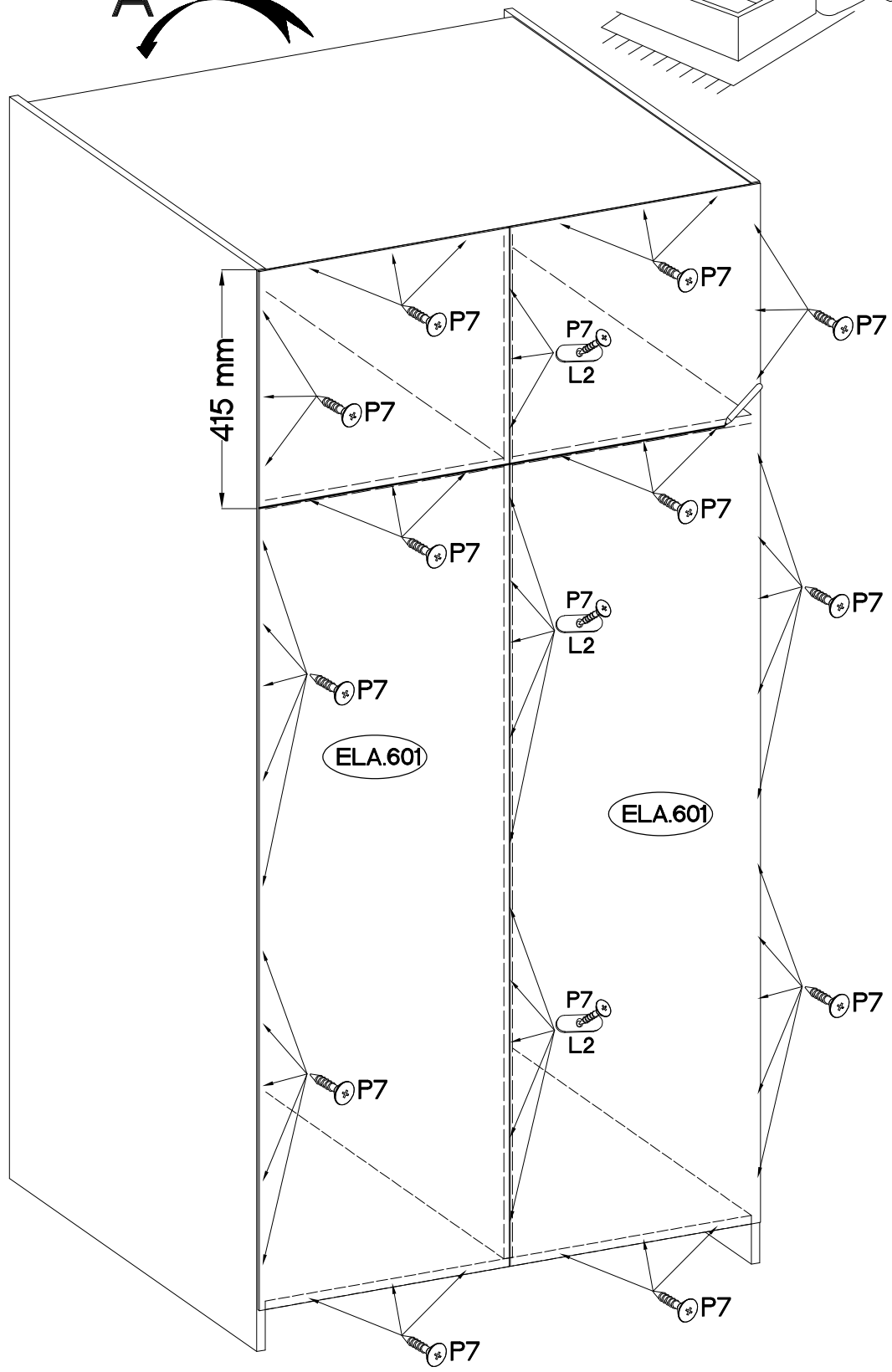
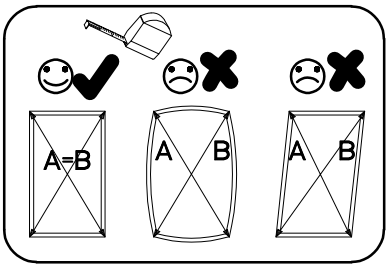
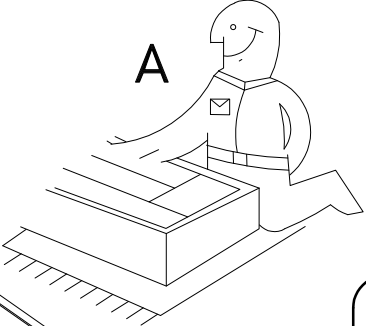
2



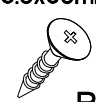


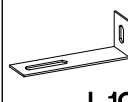
3

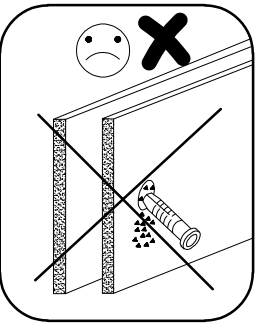
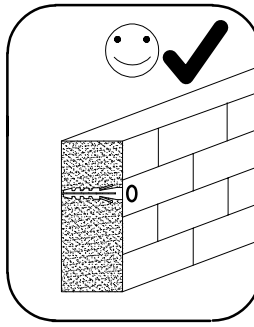
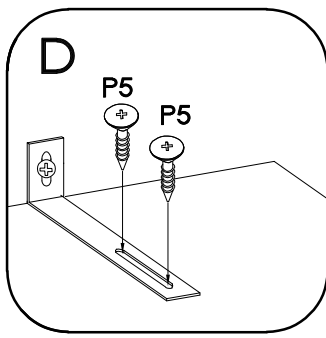
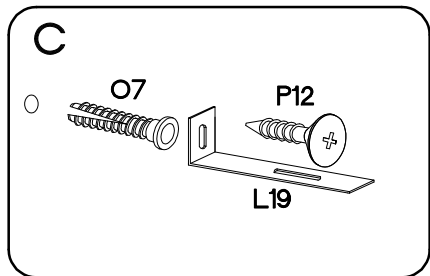
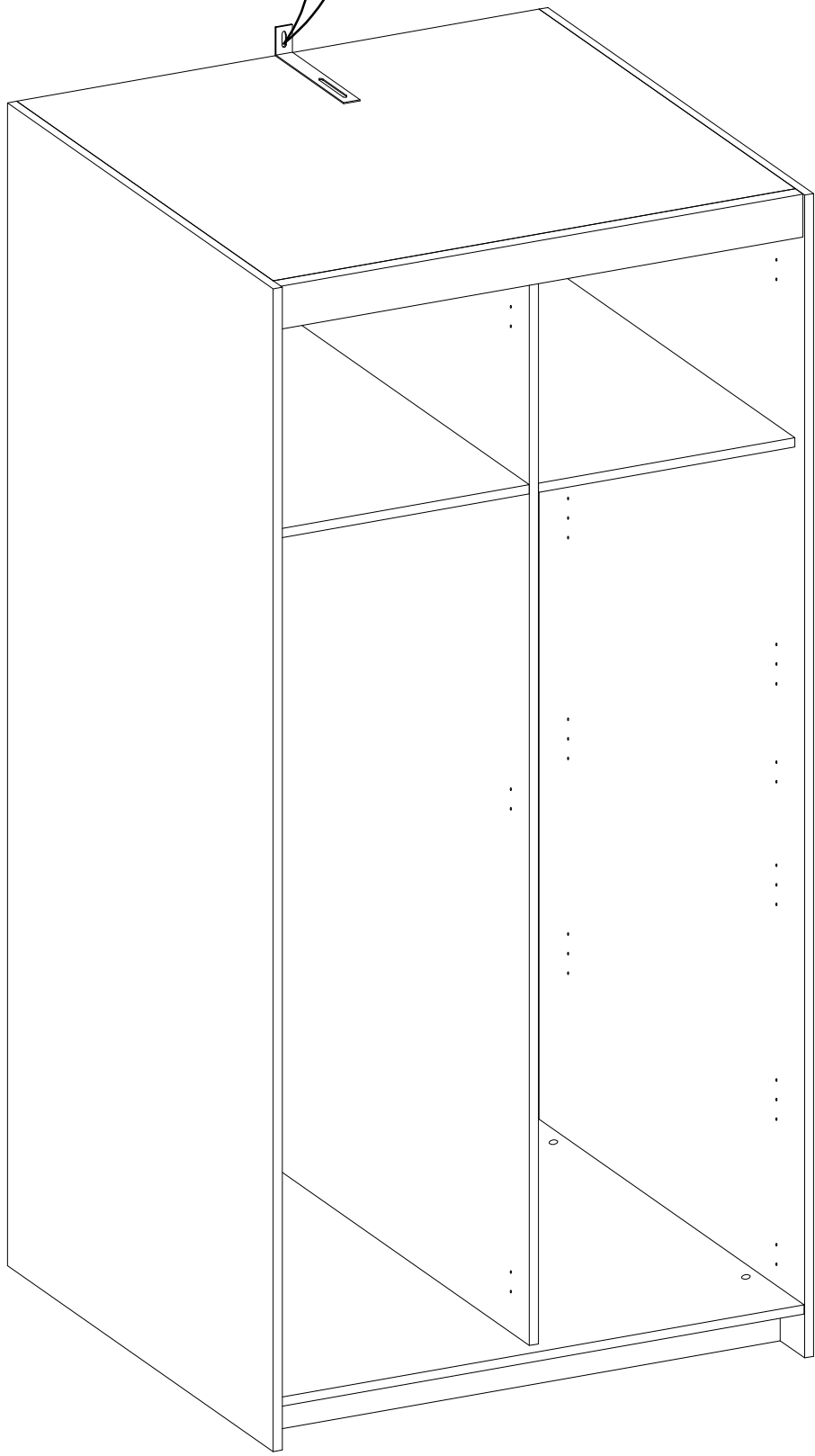
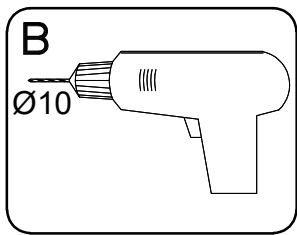
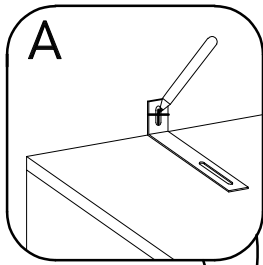


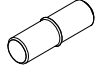

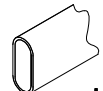


	#3.0x20mm
L2	P7
14	57

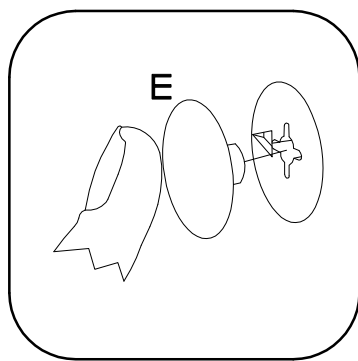
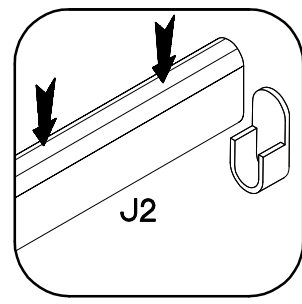
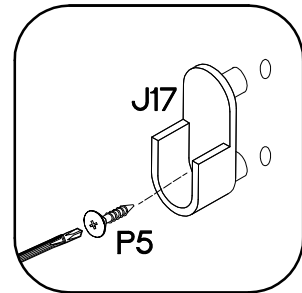
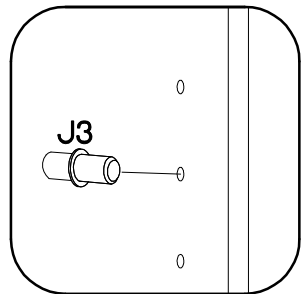
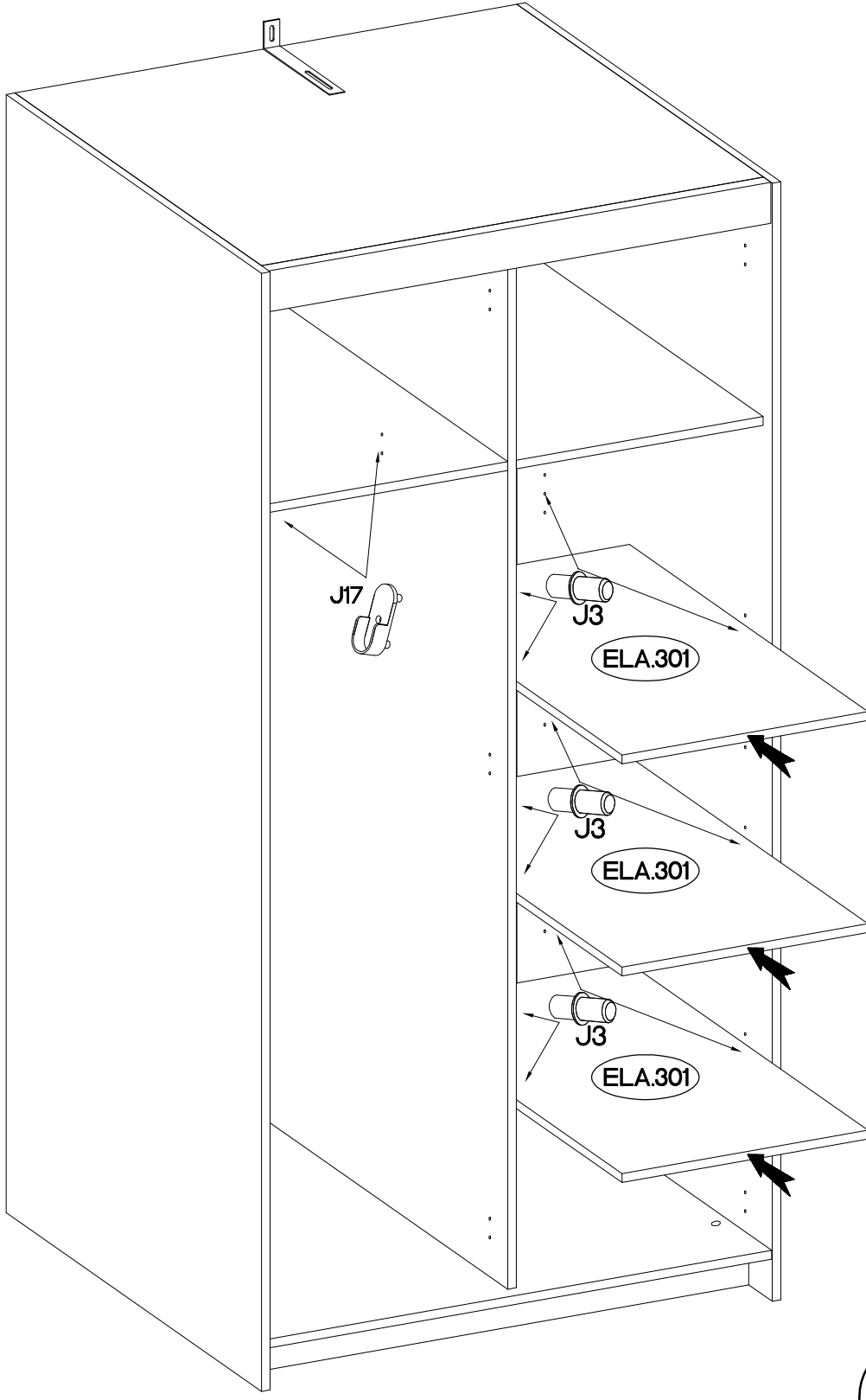


5

 P12	 O7	 P5	 L19
1	1	2	1

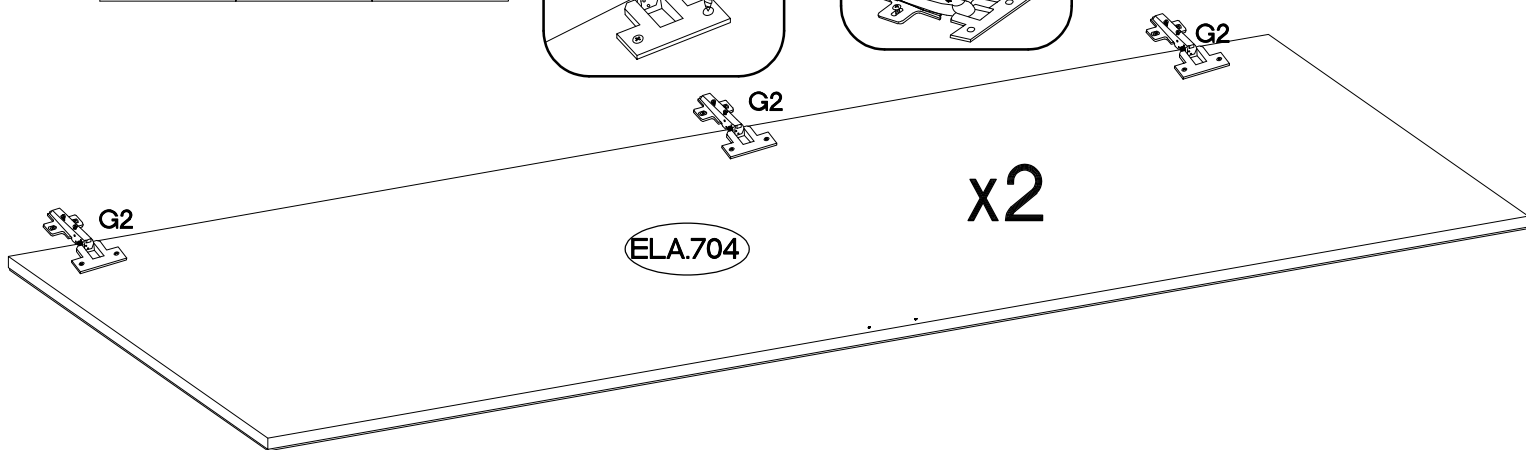
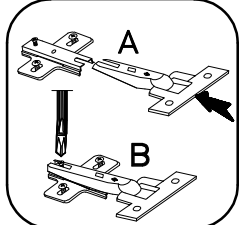
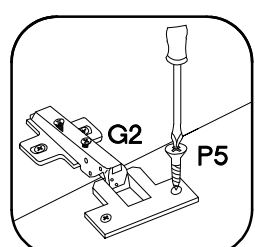


 J3 12	 E 20	 J2 1	 J17 2	 P5 2
---	--	--	---	--

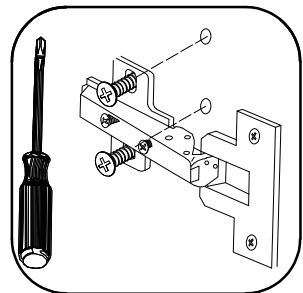
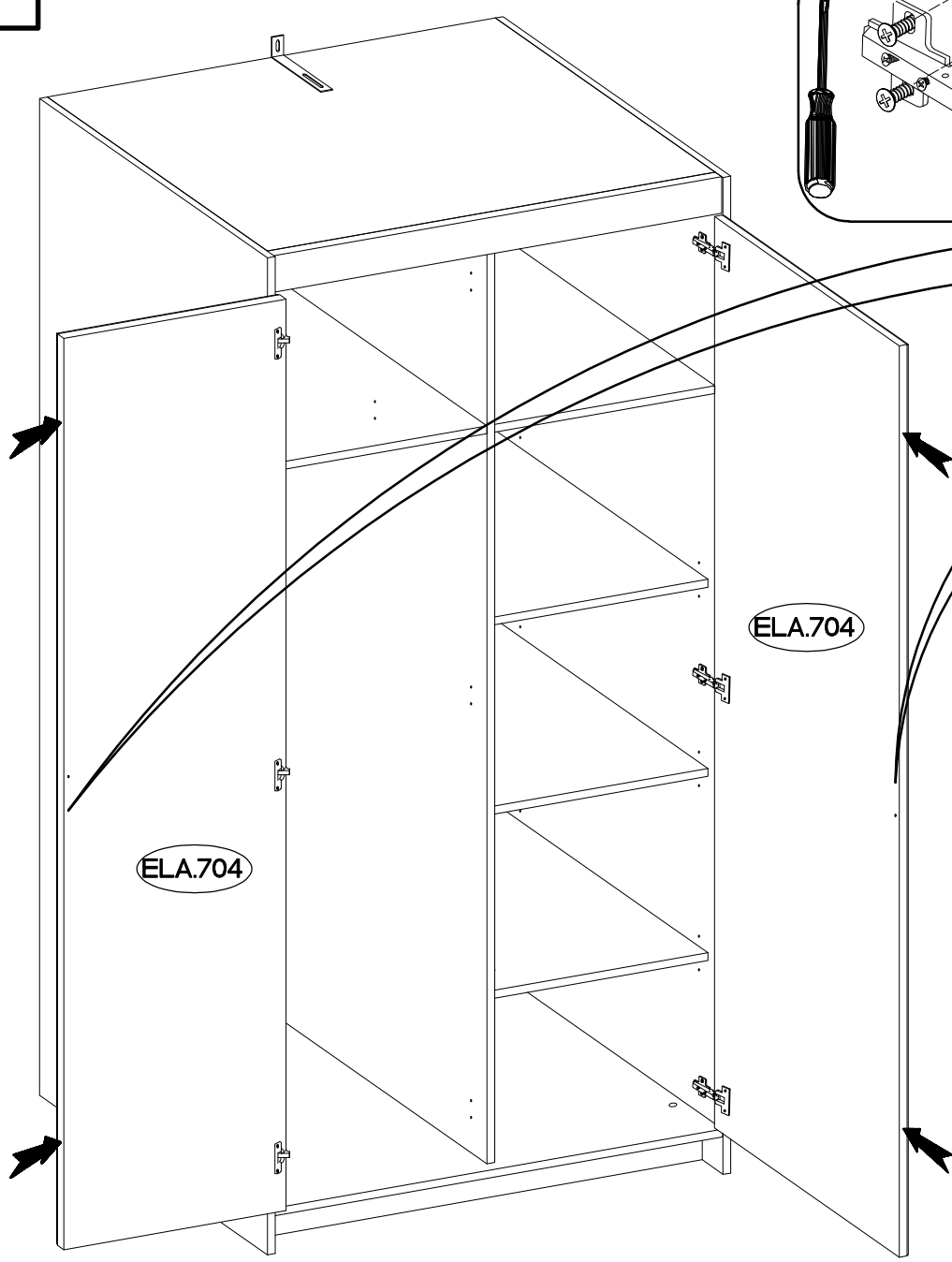


7

±35/16mm	H=0	±3.5x13mm
G2		P5
6	6	12



8



L=64mm
S
2

