

POSSINA

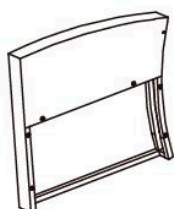
Instruction Manual - Dining Set Caden

CAUTION

- A. Check the package and that all included parts are present
- B. Read the instructions carefully before starting the assembly process

NOTE: Do NOT tighten the screws completely until the assembly is completed

A x3



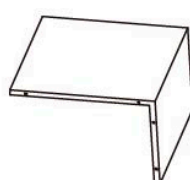
B x3



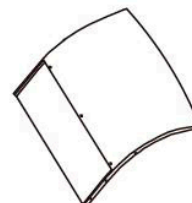
C x2



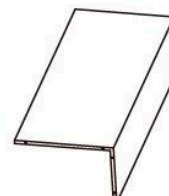
D x2



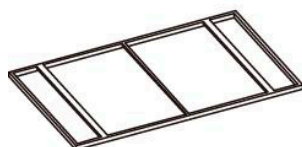
E x1



F x1



G x1



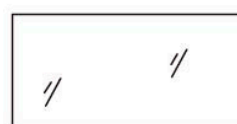
H x2



I x2



J x1



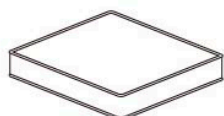
K x55



L x1



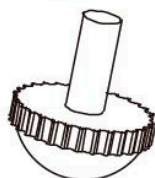
M x5



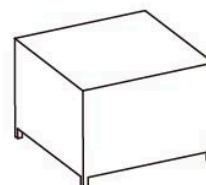
N x5



O x18



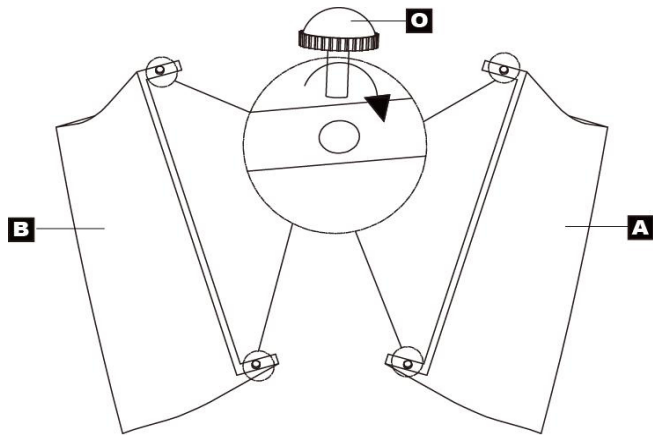
P x2



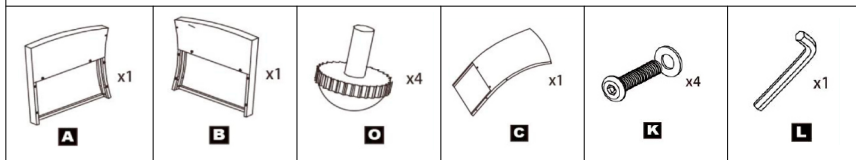
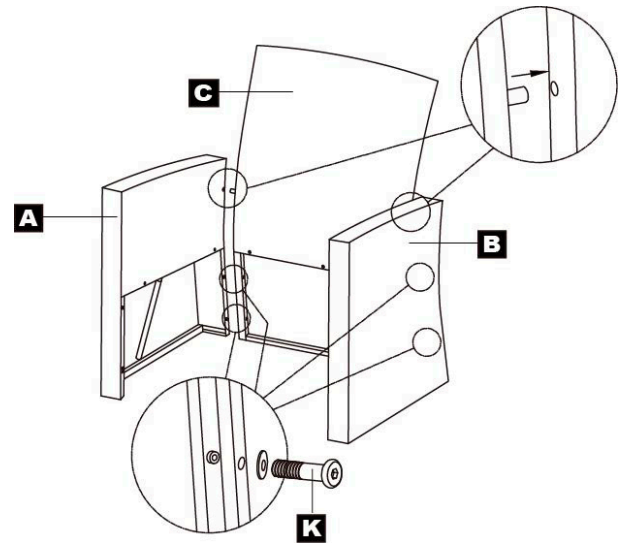
Q x2



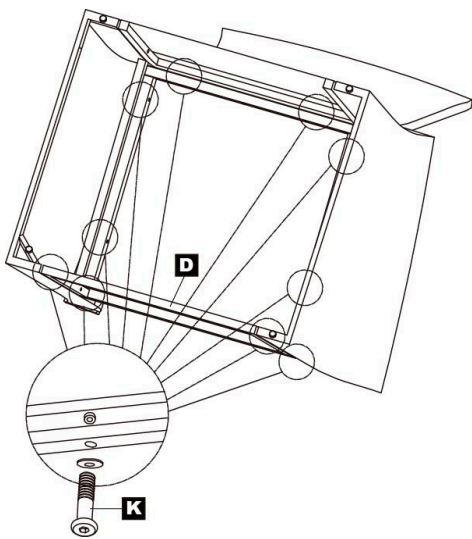
STEP 1



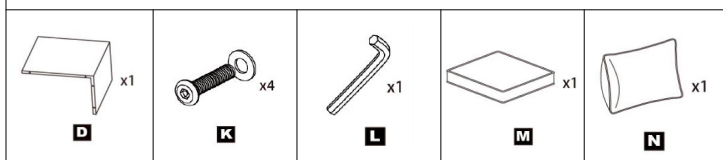
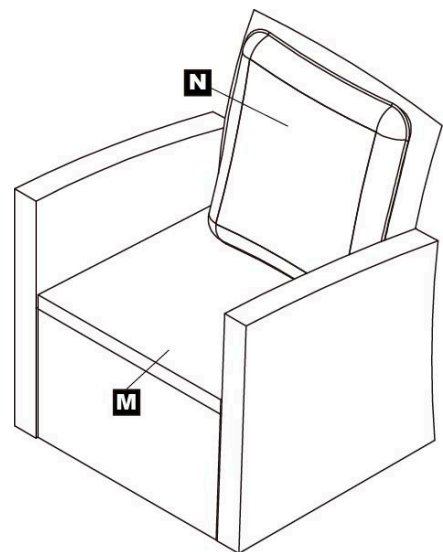
STEP 2



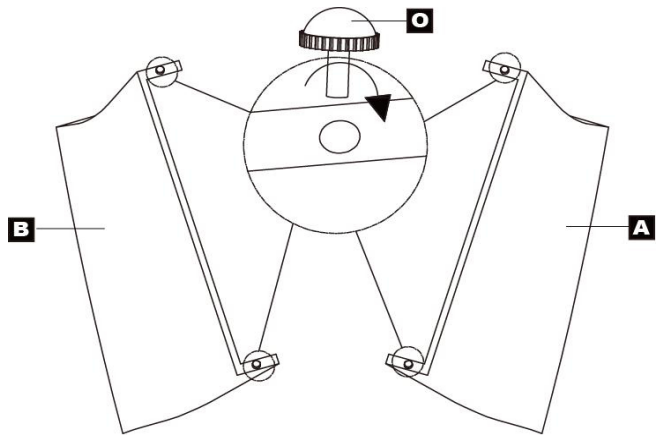
STEP 3



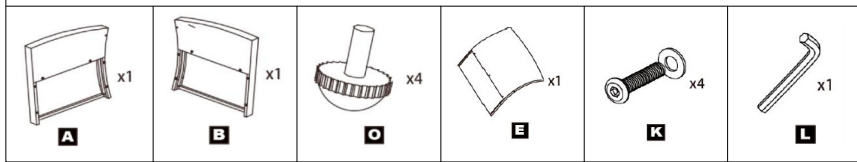
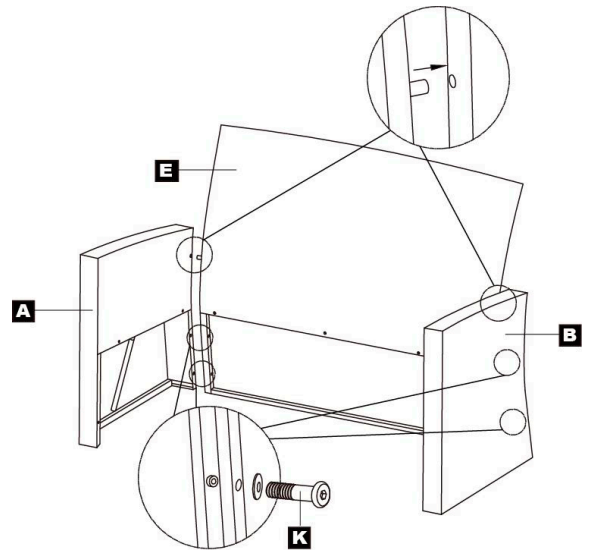
STEP 4



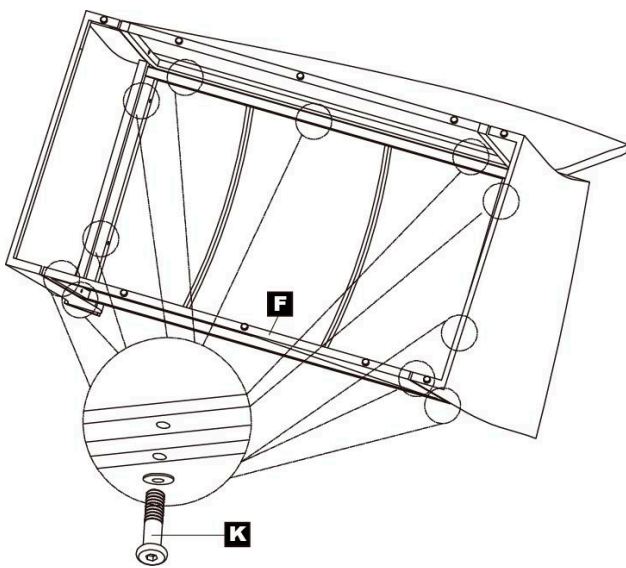
STEP 5



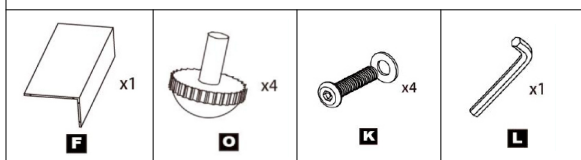
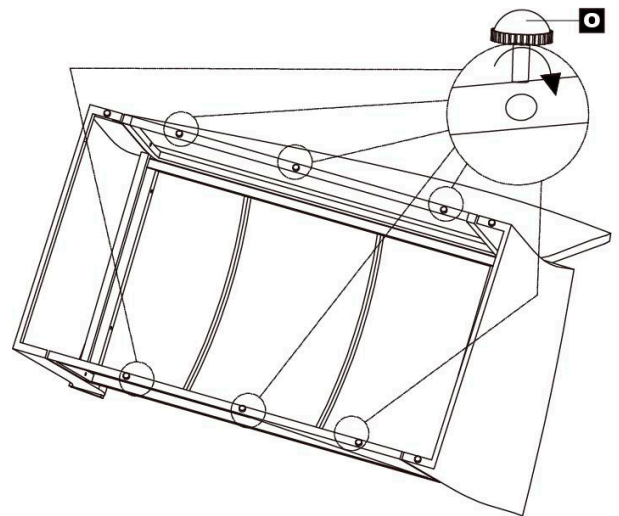
STEP 6



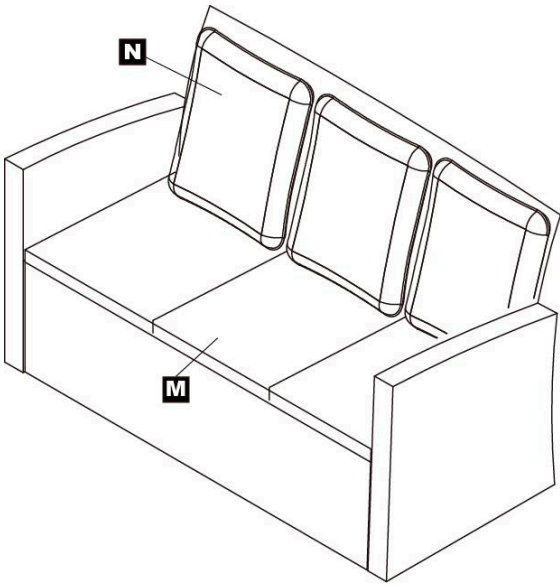
STEP 7



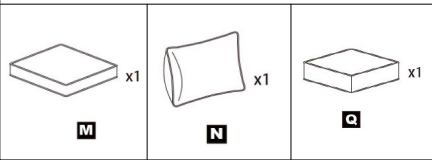
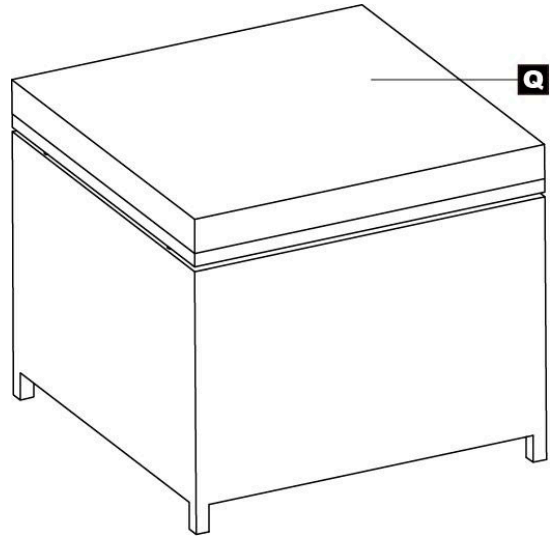
STEP 8



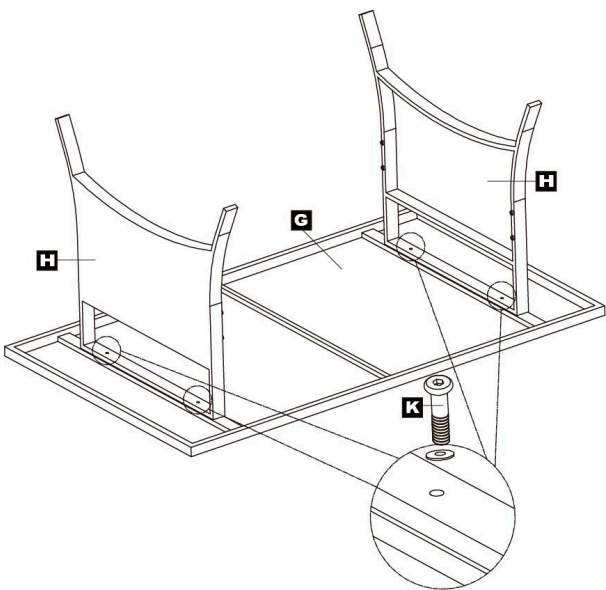
STEP 9



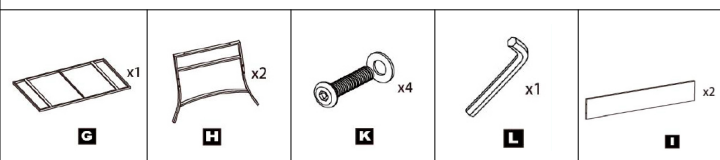
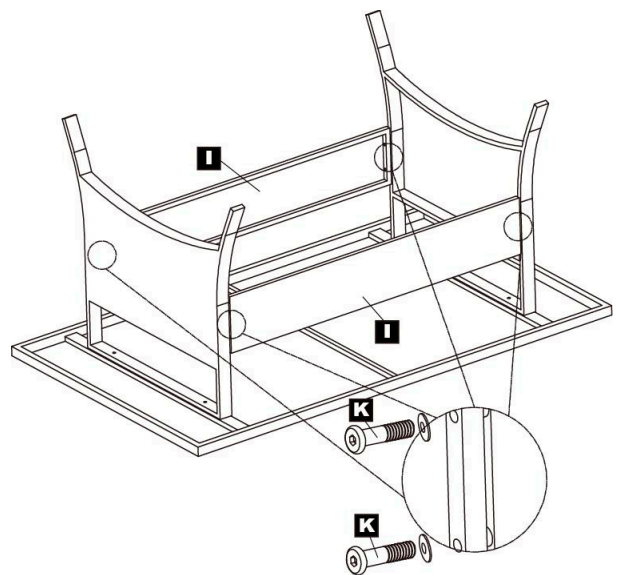
STEP 10



STEP 11



STEP 12



STEP 13



Secure the glass (J) onto the table top (G) ensuring the suction cups are flat and securely holding onto the table top (G).

