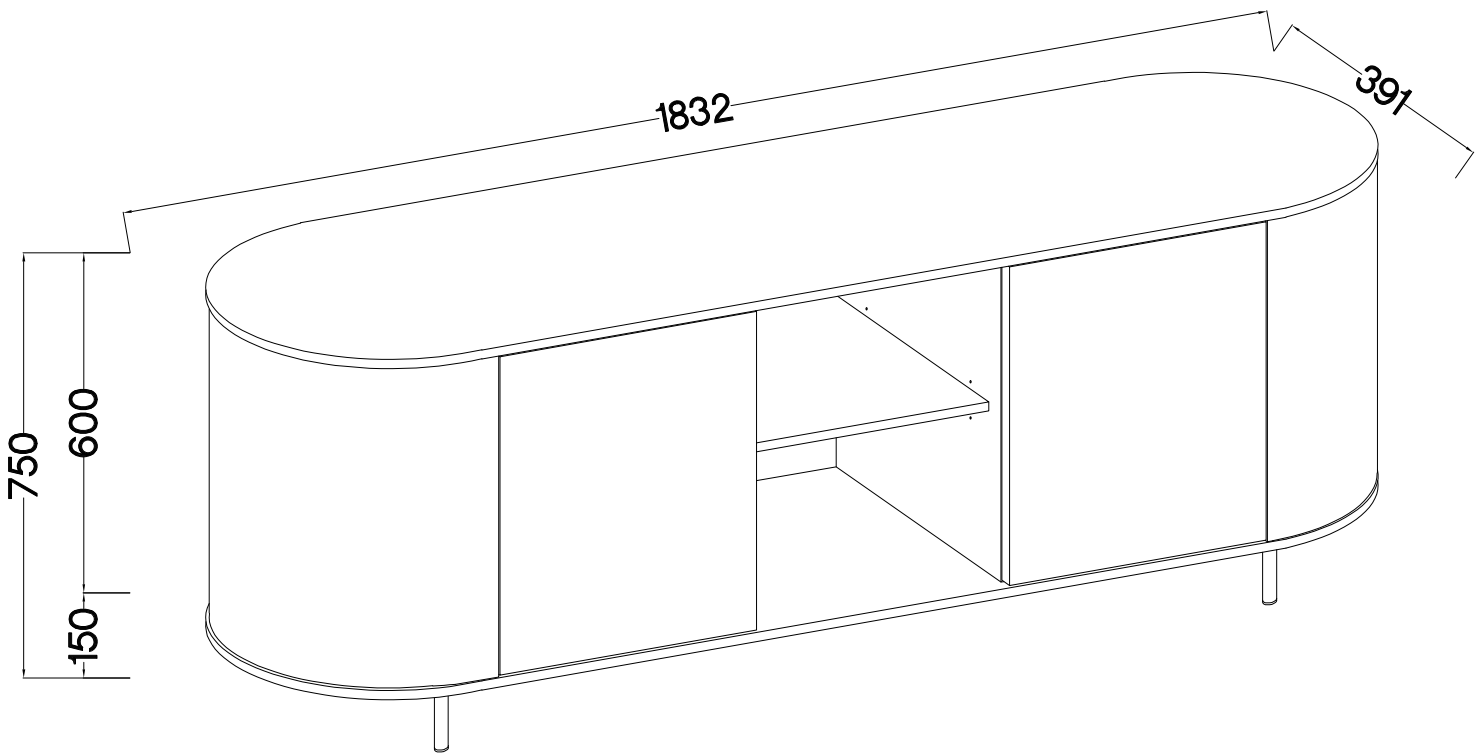
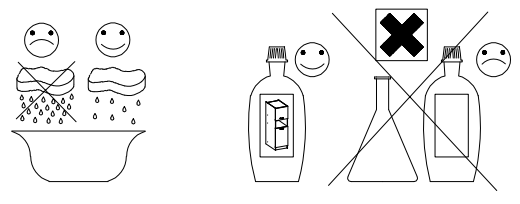
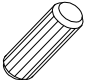

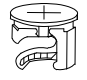
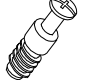
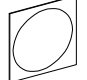

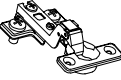
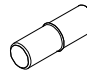
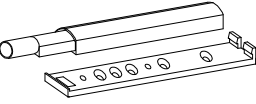
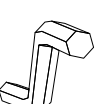




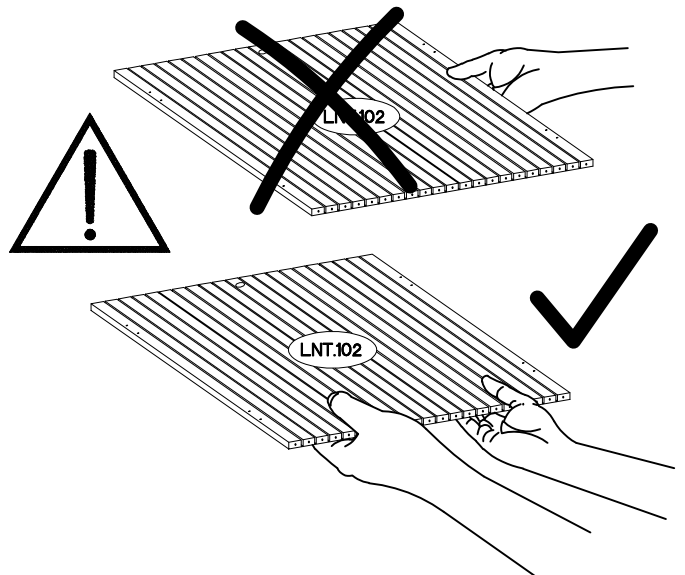
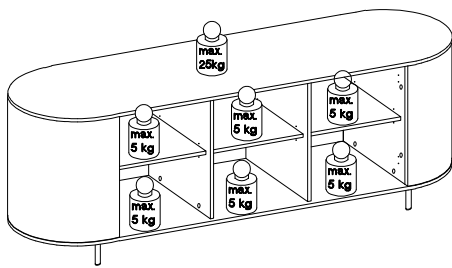
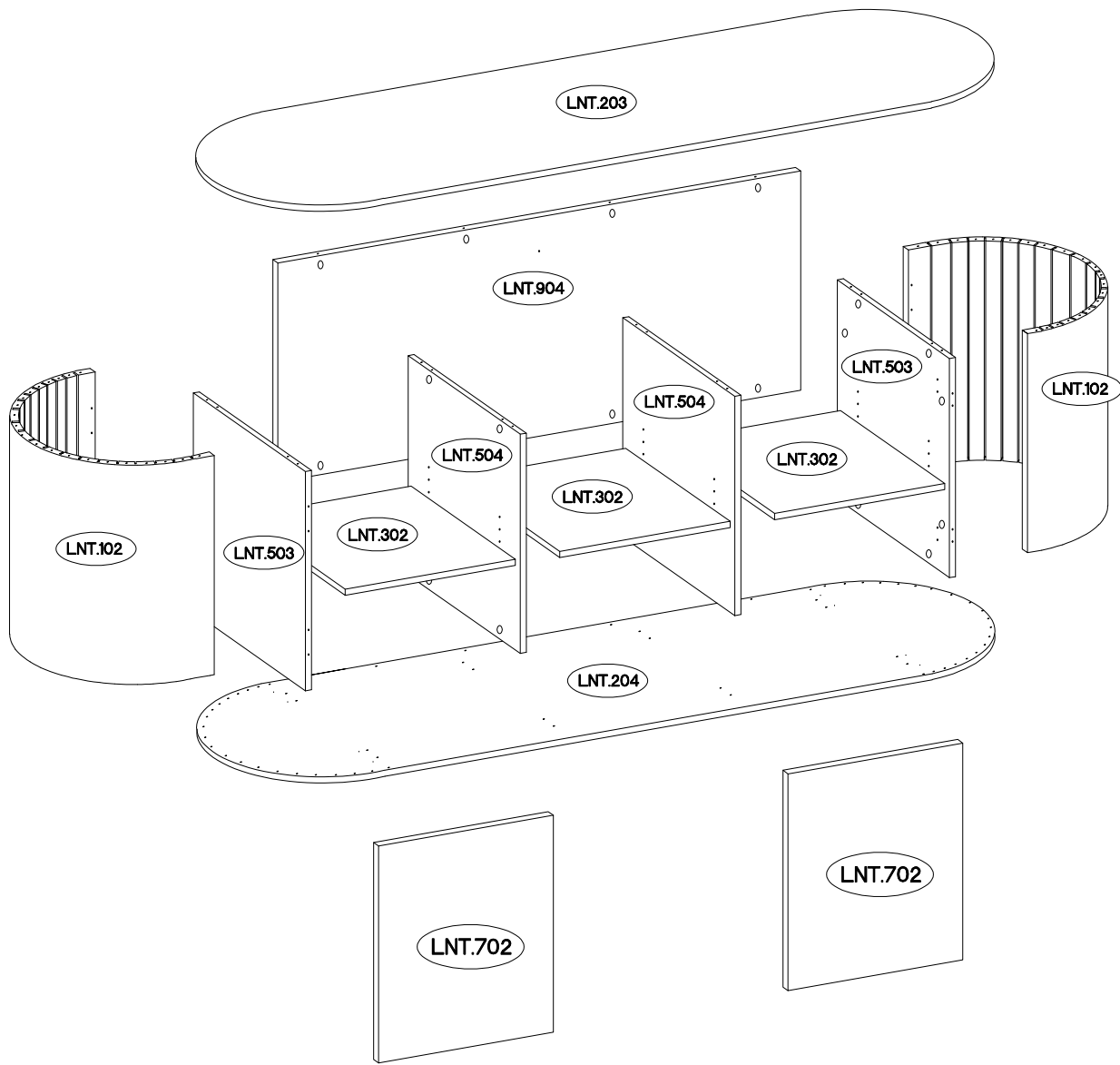


TYP 802

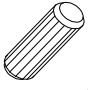

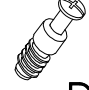


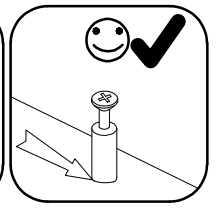
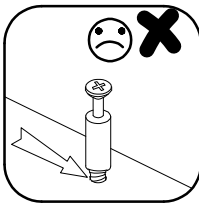
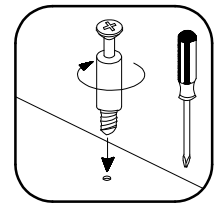
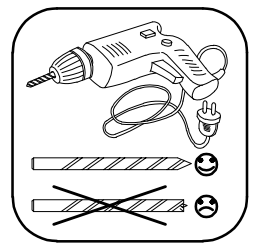
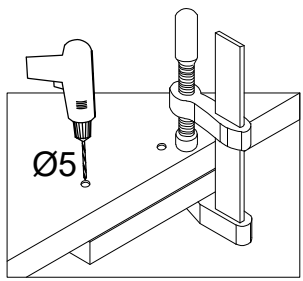
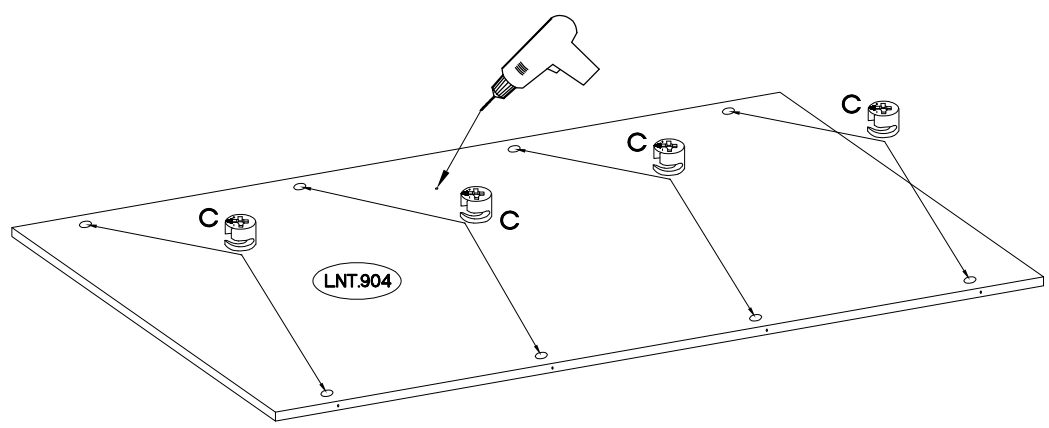
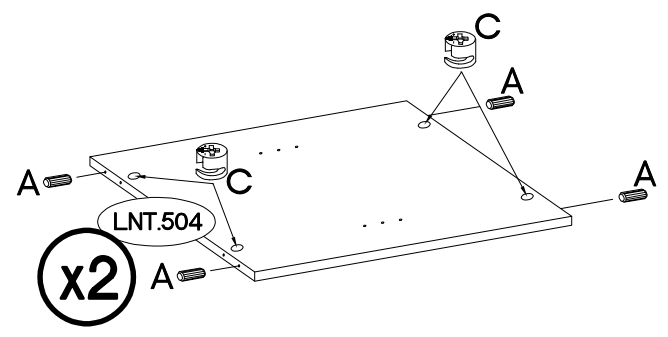
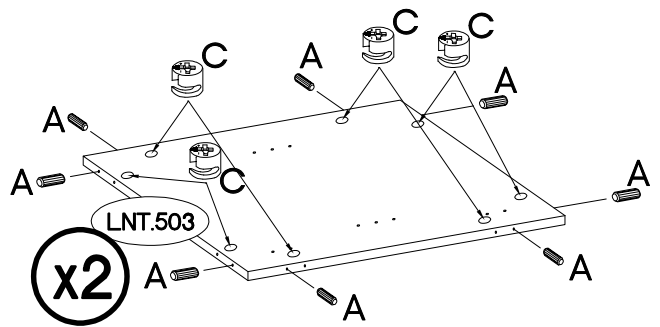
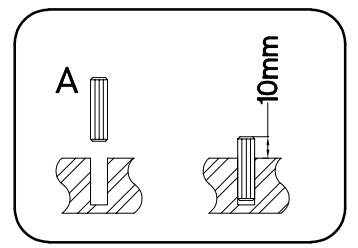
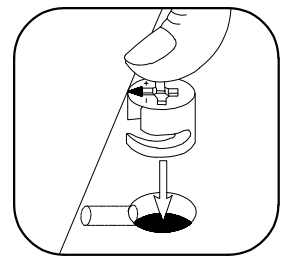
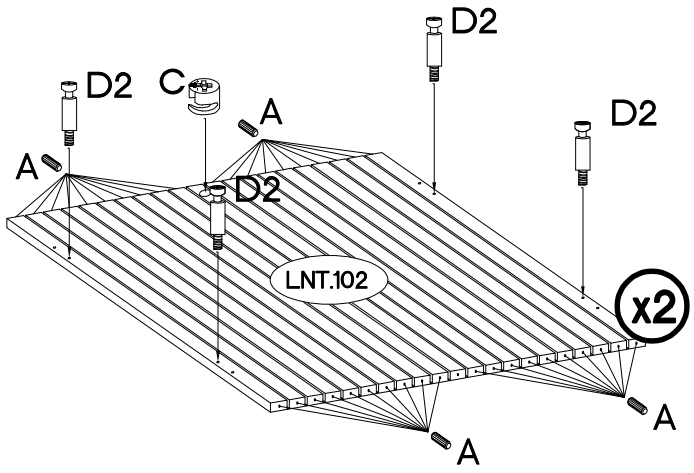
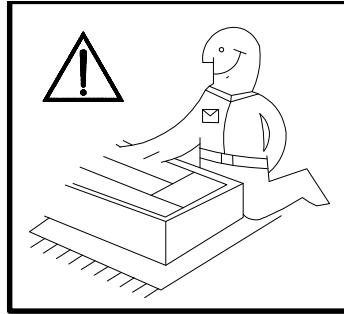
 A 104	 B 2	 C 34	 D2 34	 E11 32	 F40 4	 HG2 4	 J3 12
 L46 2	 O 1	 O7 1	 P1 16	 P5 12	 P12 1		


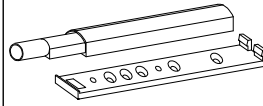

ISM-LNT-004

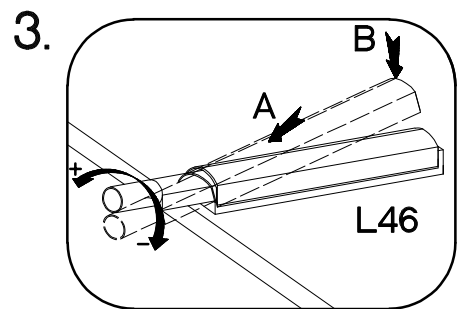
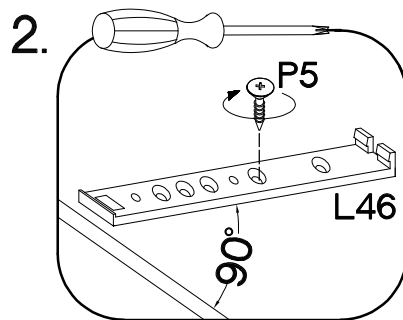
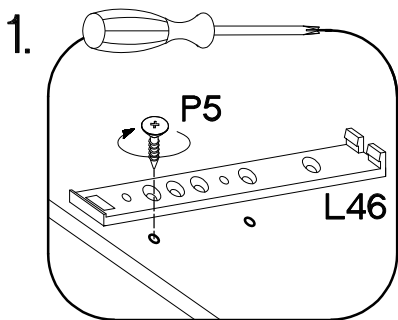
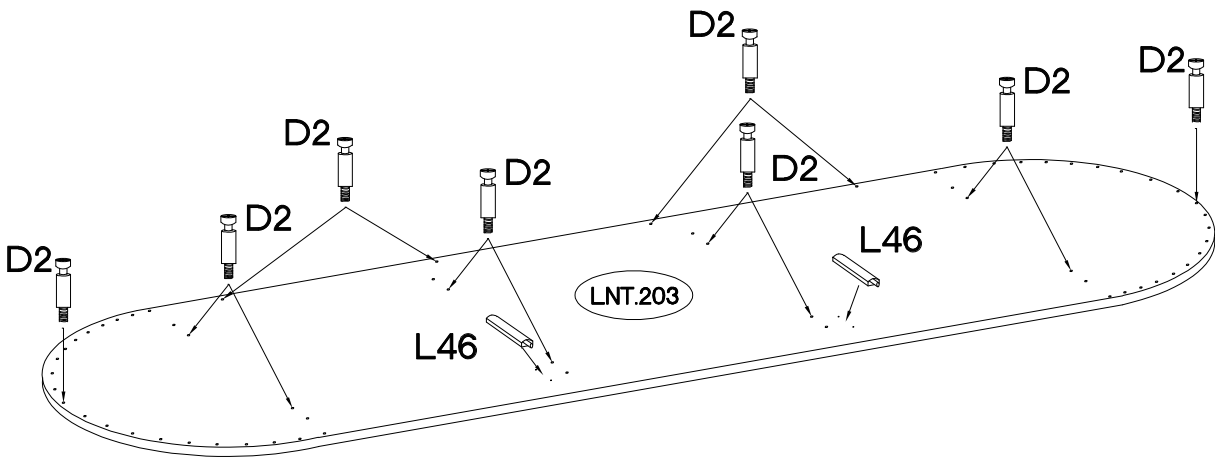
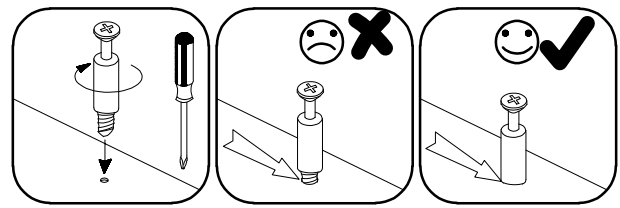
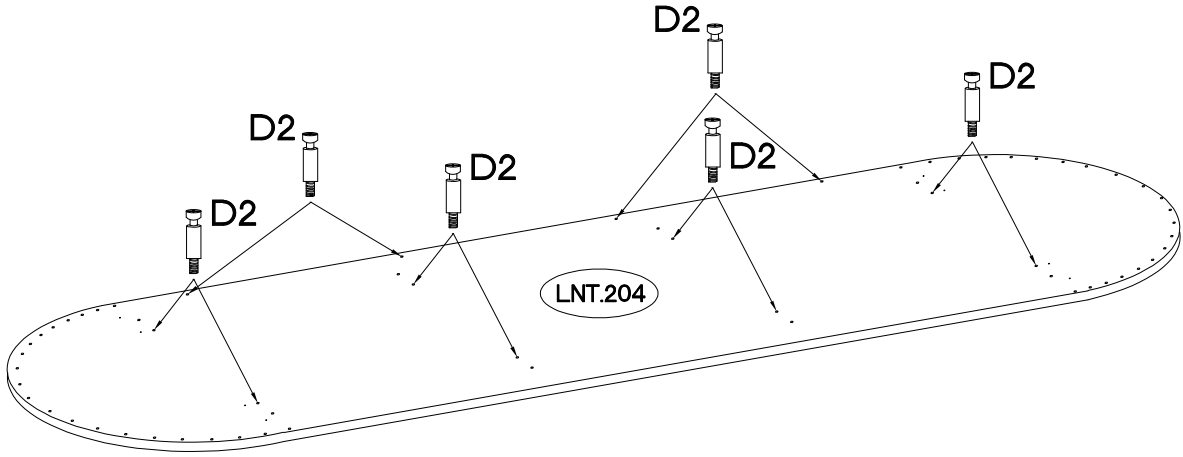
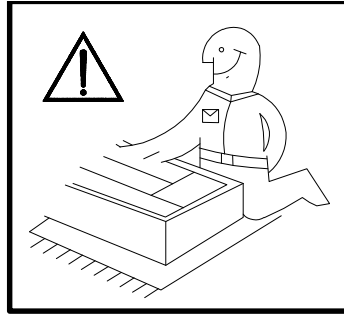


	Ersatzteil Nummer	Dimension
	LNT.102 x2	568x672x16
	LNT.203	1832x391x16
	LNT.204	1832x391x16
	LNT.302 x3	448x330x16
	LNT.503 x2	568x355x16
	LNT.504 x2	568x355x16
	LNT.702 x2	562x460x16
	LNT.904	568x1376x16

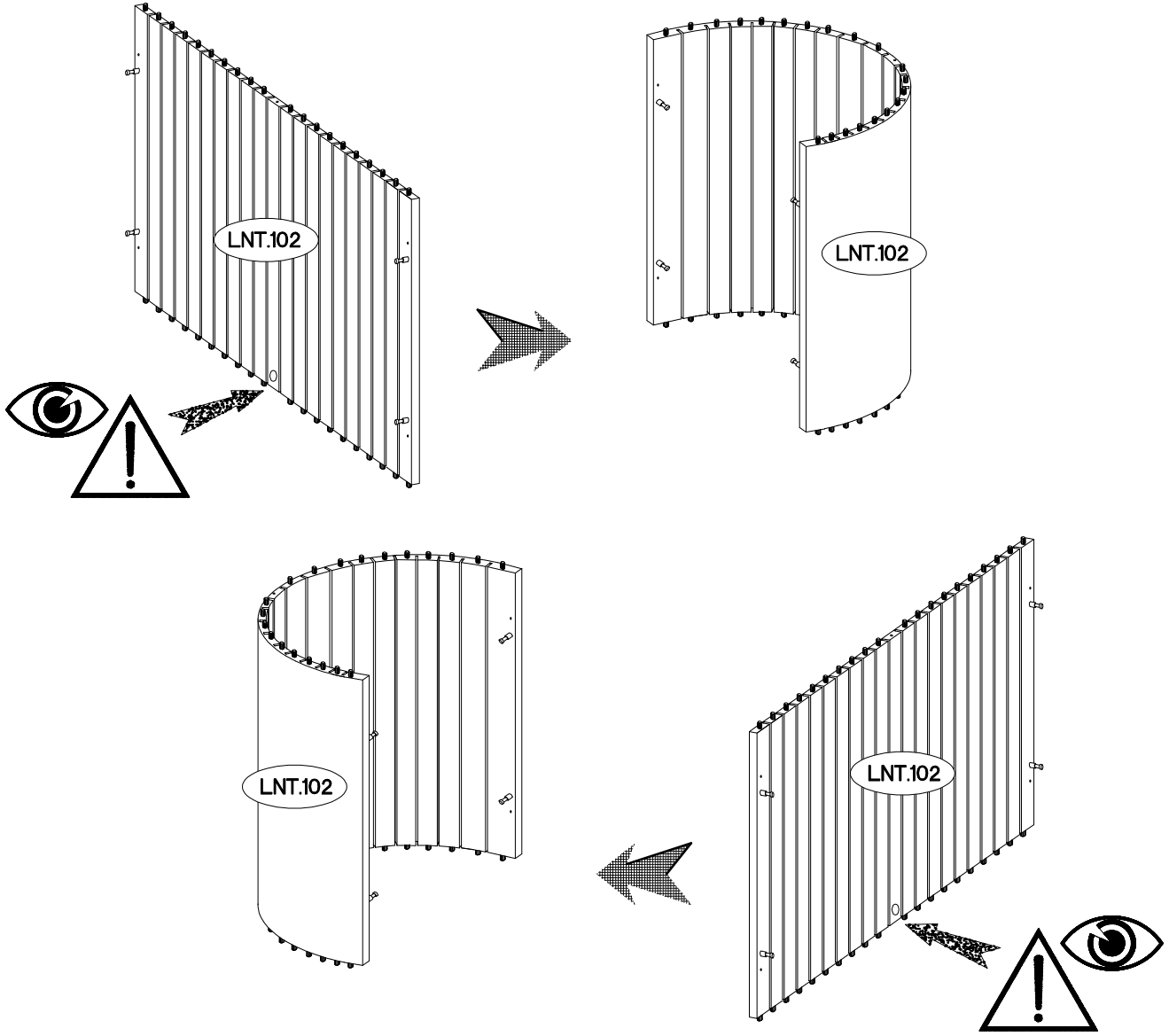
<p>†8x30mm</p>  <p>A</p> <p>104</p>	<p>†15/12mm</p>  <p>C</p> <p>34</p>	<p>L=20mm</p>  <p>D2</p> <p>8</p>
---	---	---



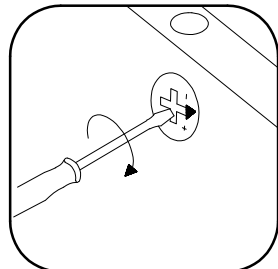
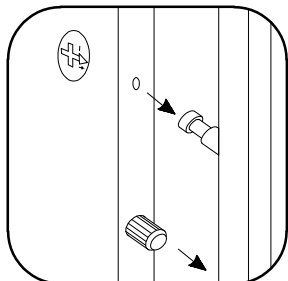
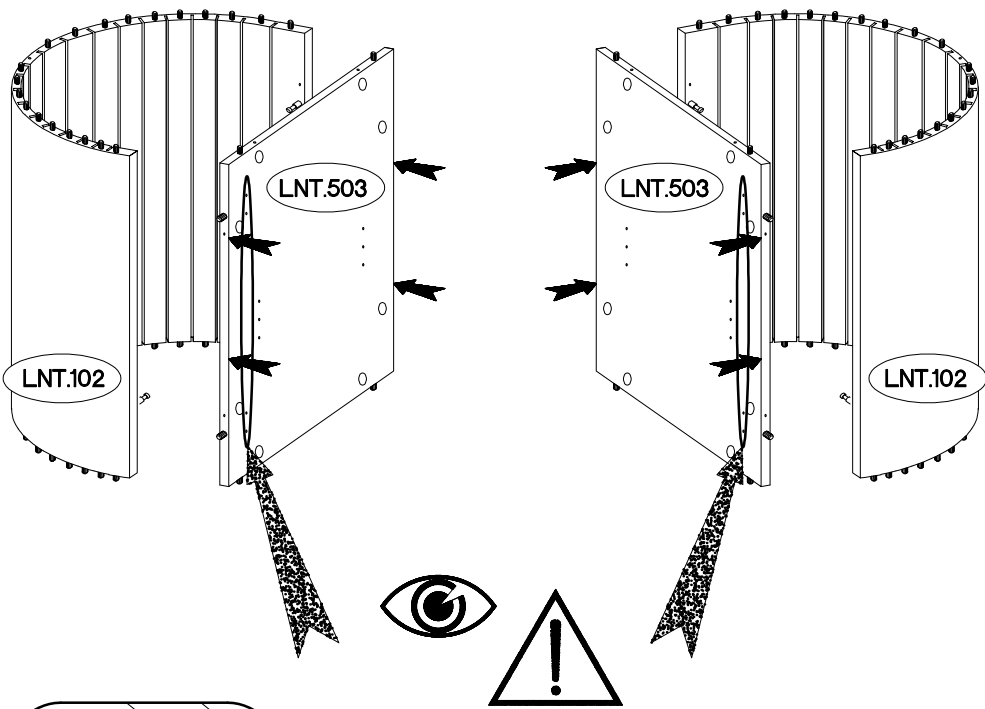
 L=20mm D2	 L46	 3.5x13mm P5
26	2	4



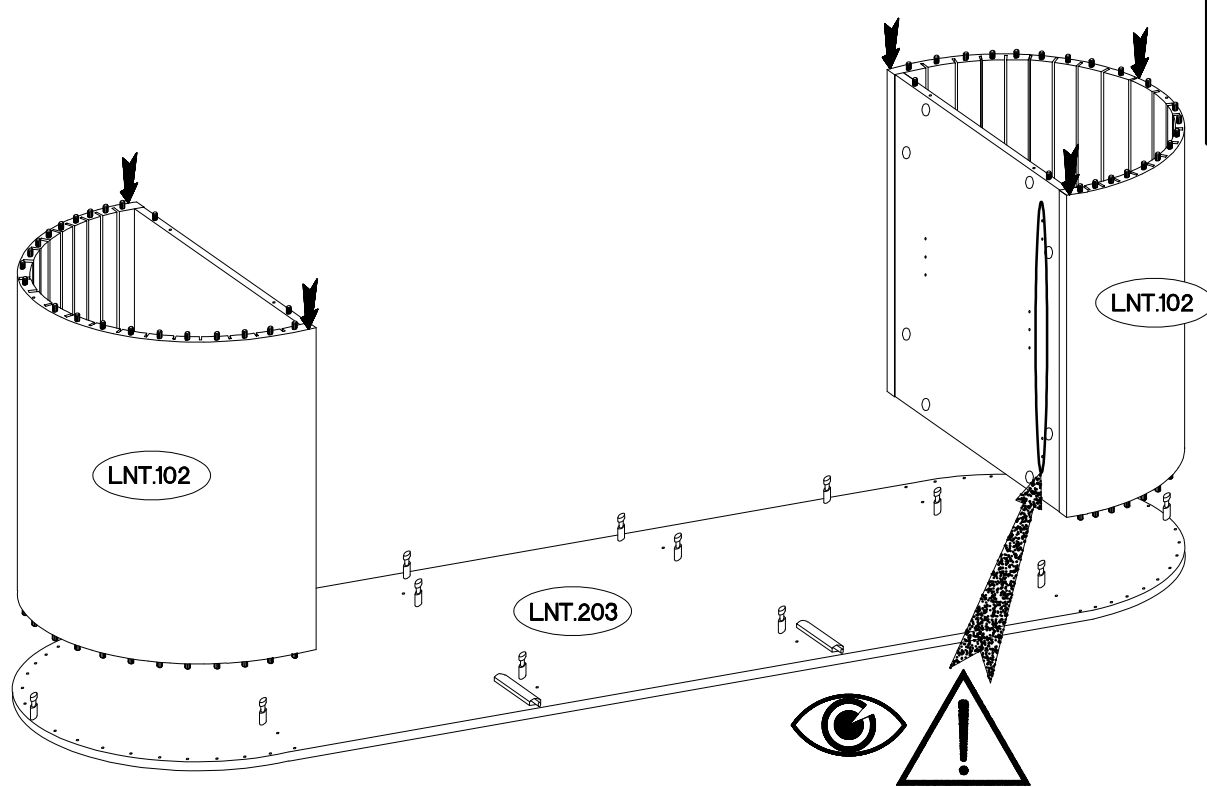
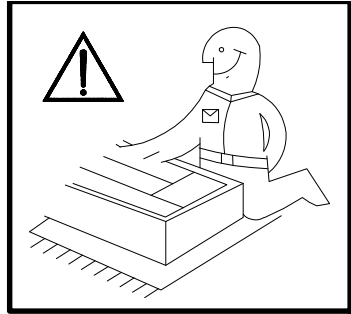
3



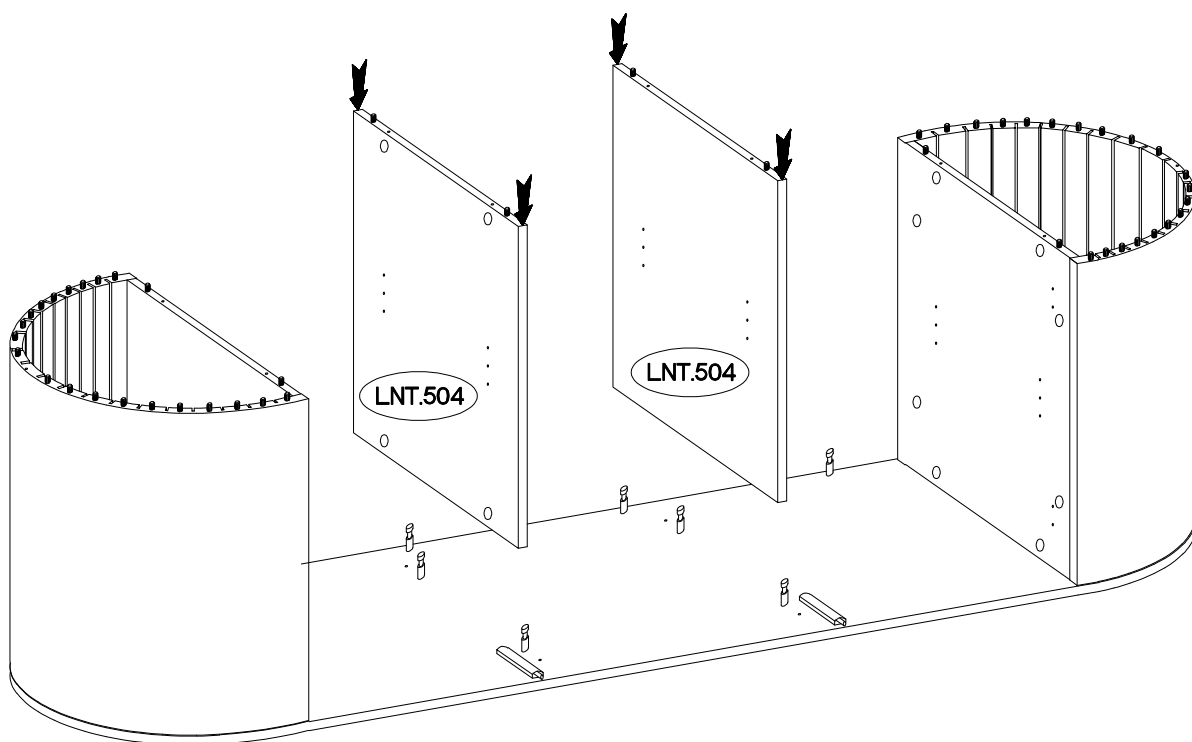
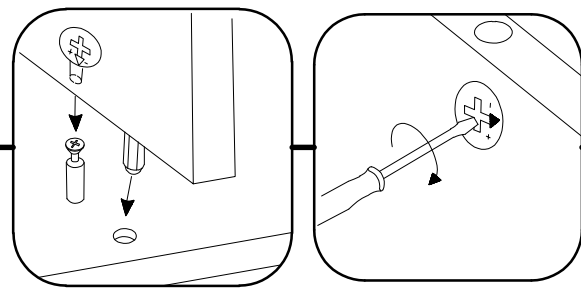
4



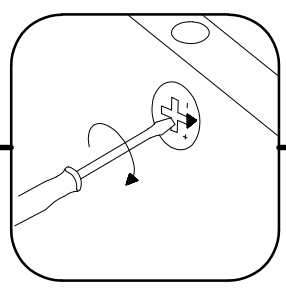
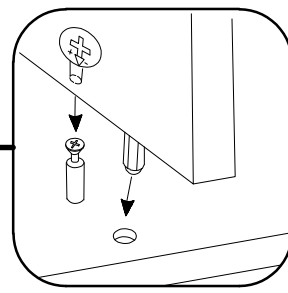
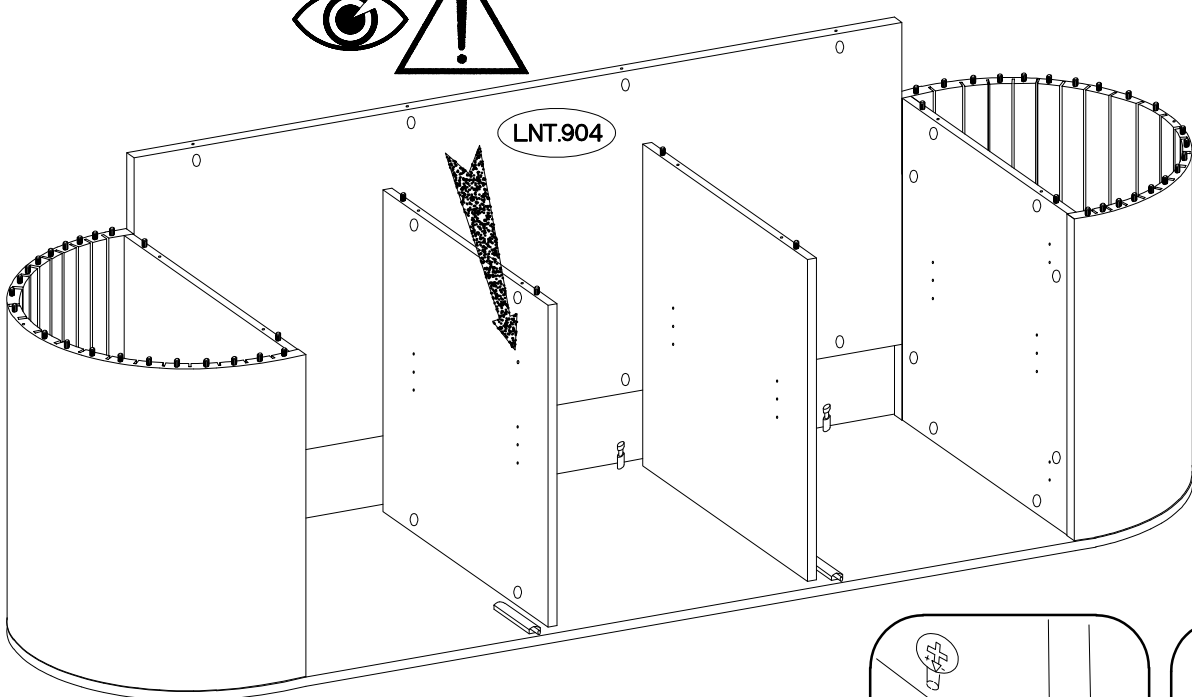
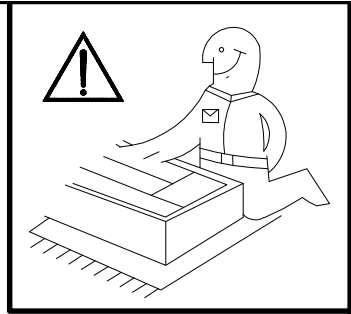
5




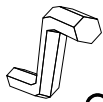
6

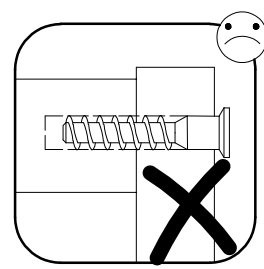
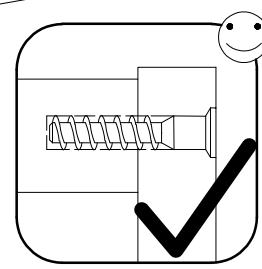
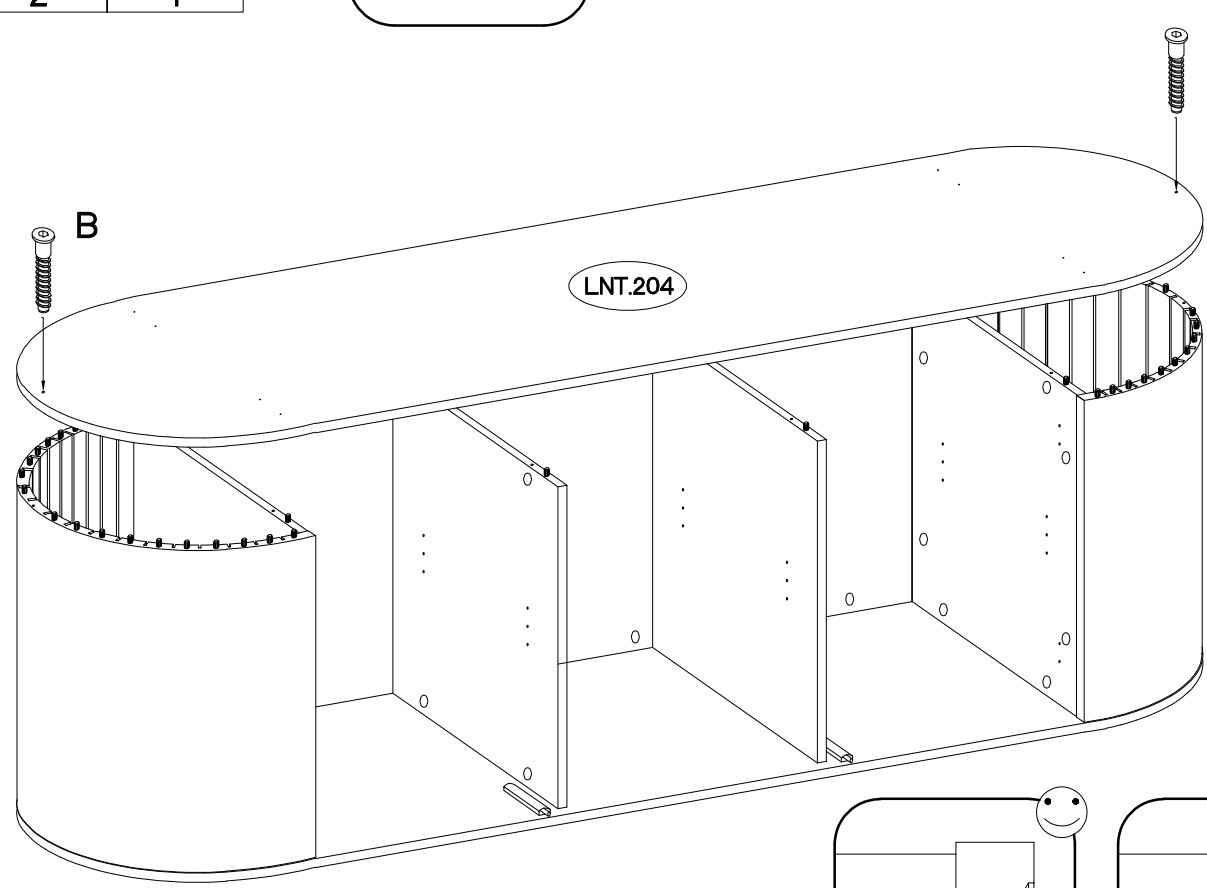
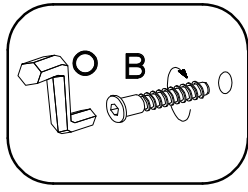


7





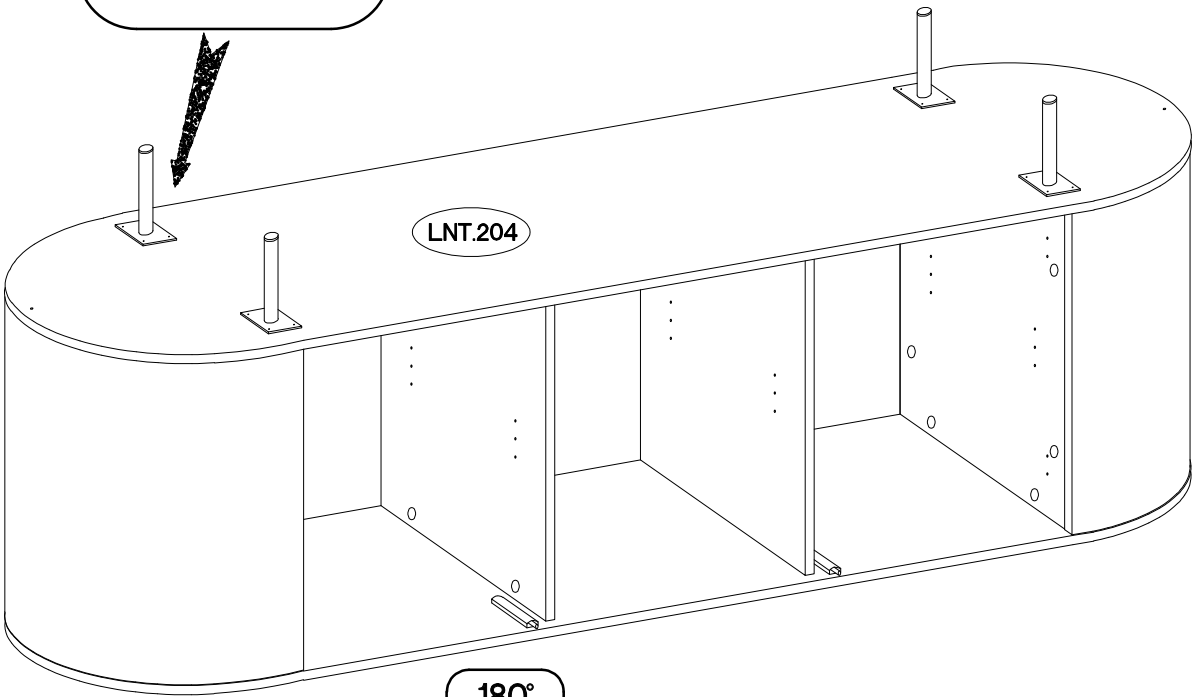
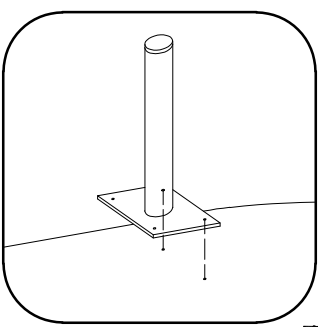
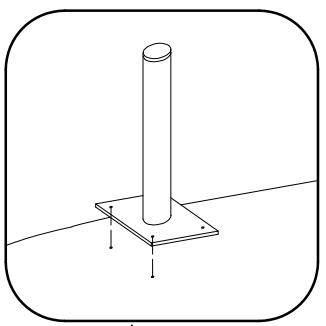
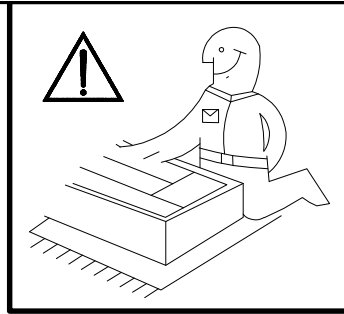
8

6,4 x 50mm	
	
B	O
2	1

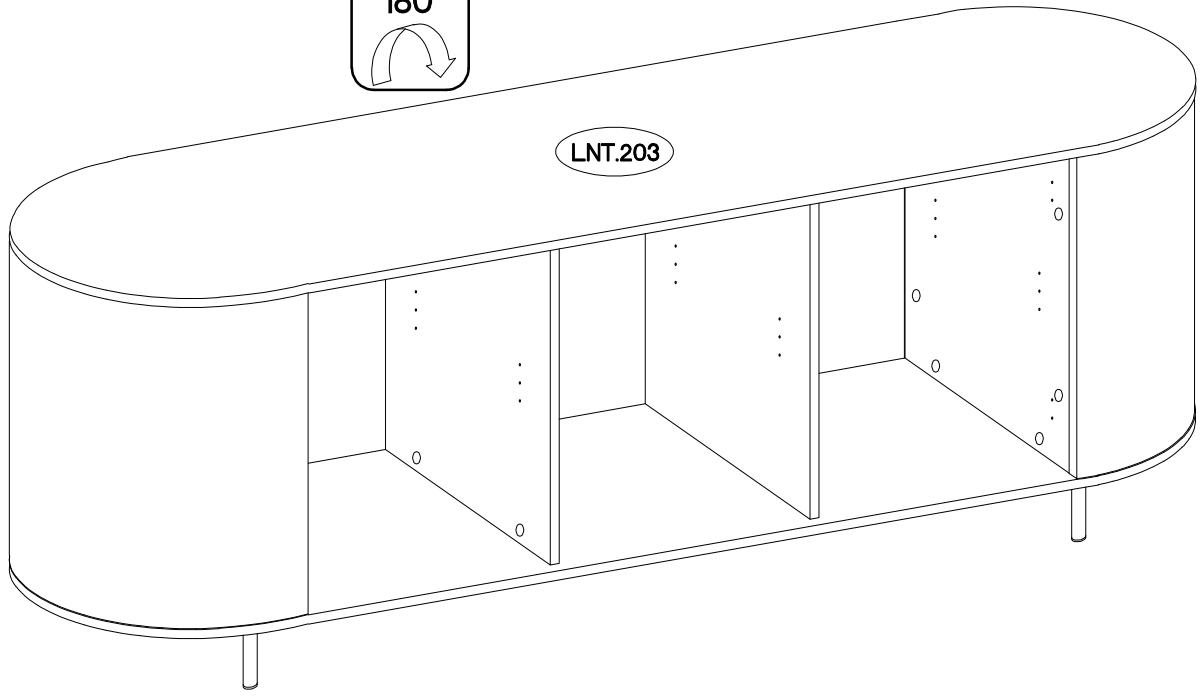
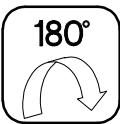


9

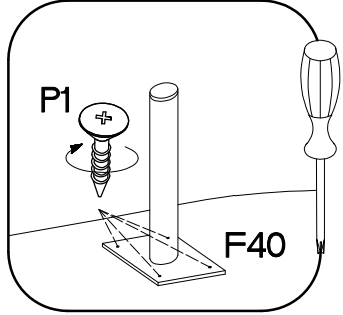
L=150mm	4.0x16mm
	
F40	P1
4	16



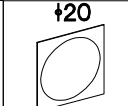


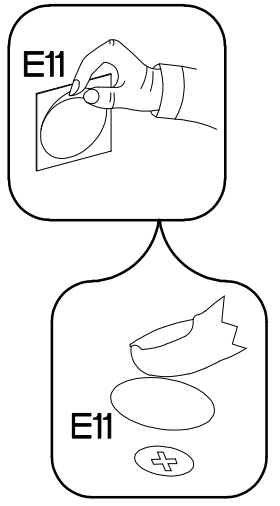
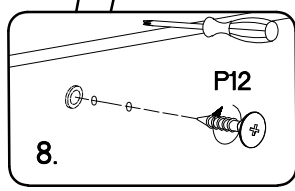
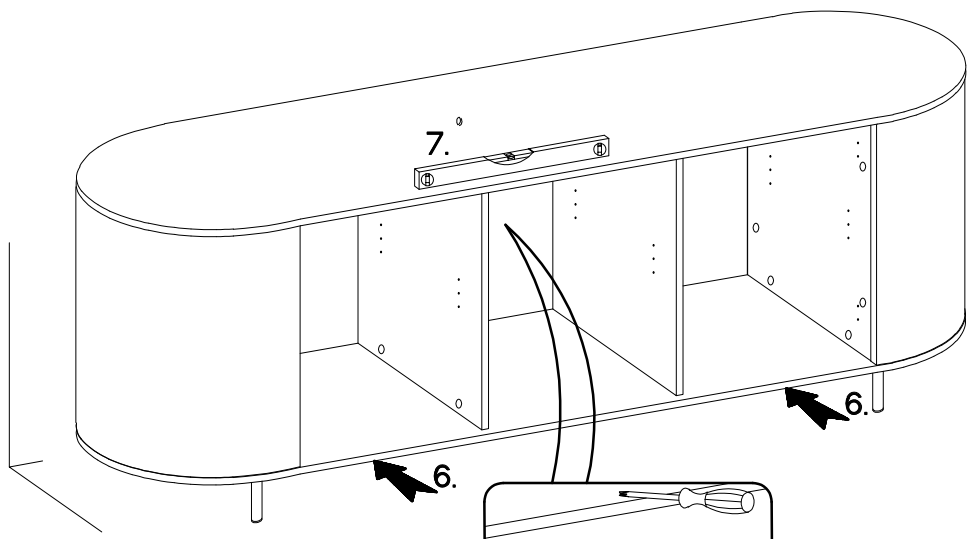
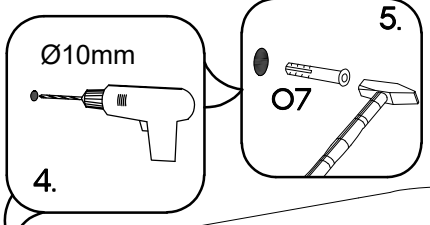
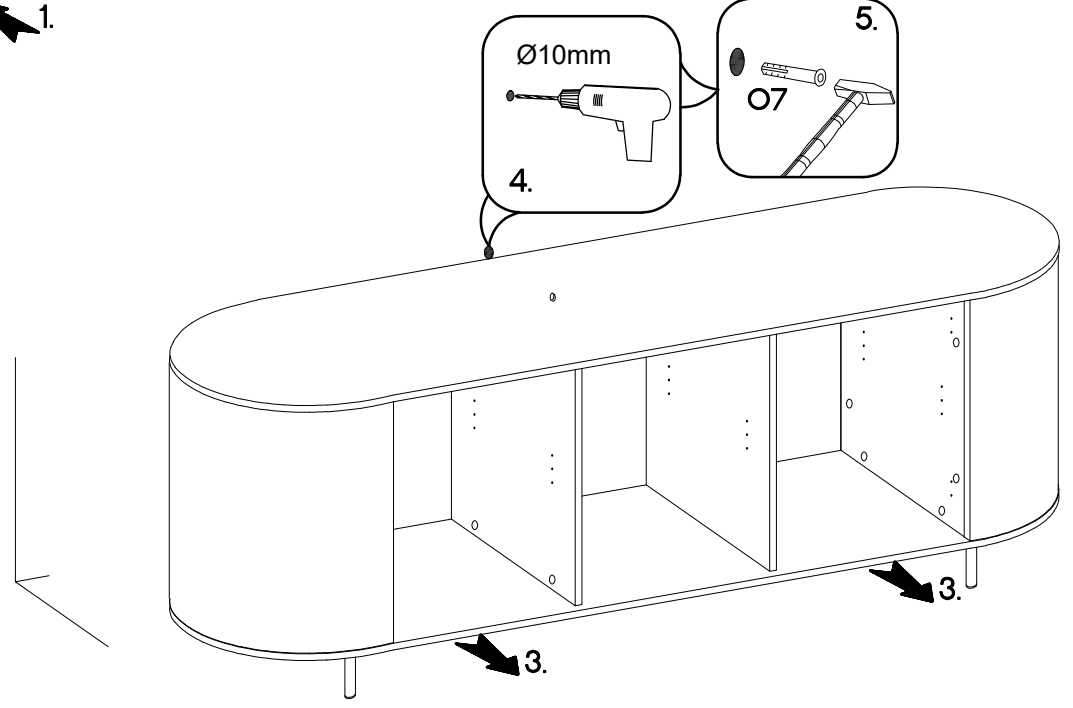
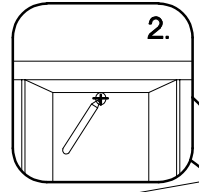
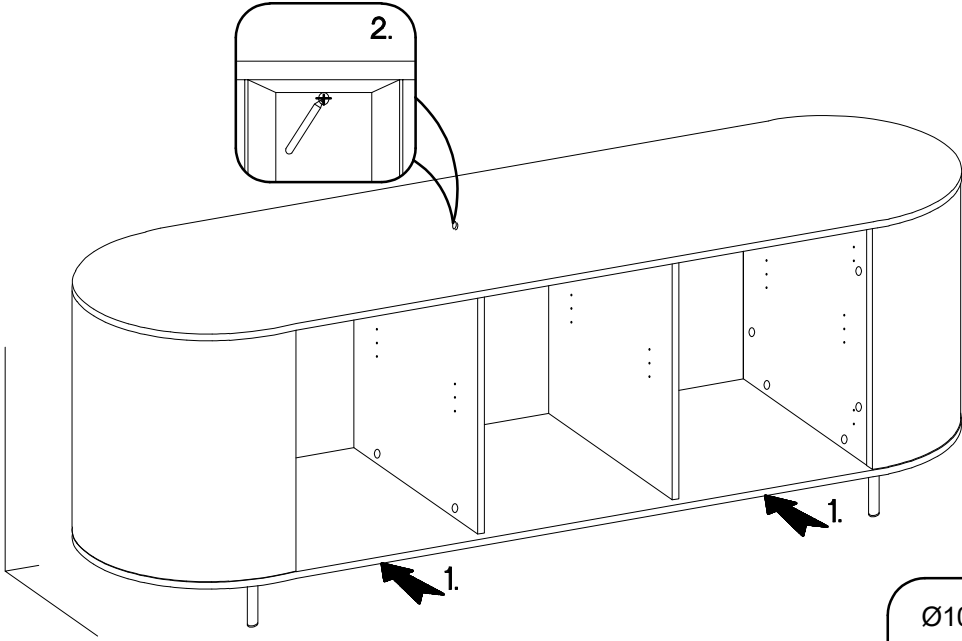
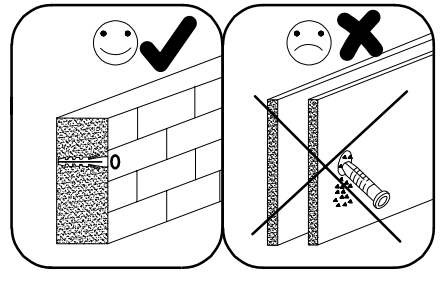
LNT.204



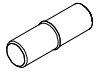
LNT.203

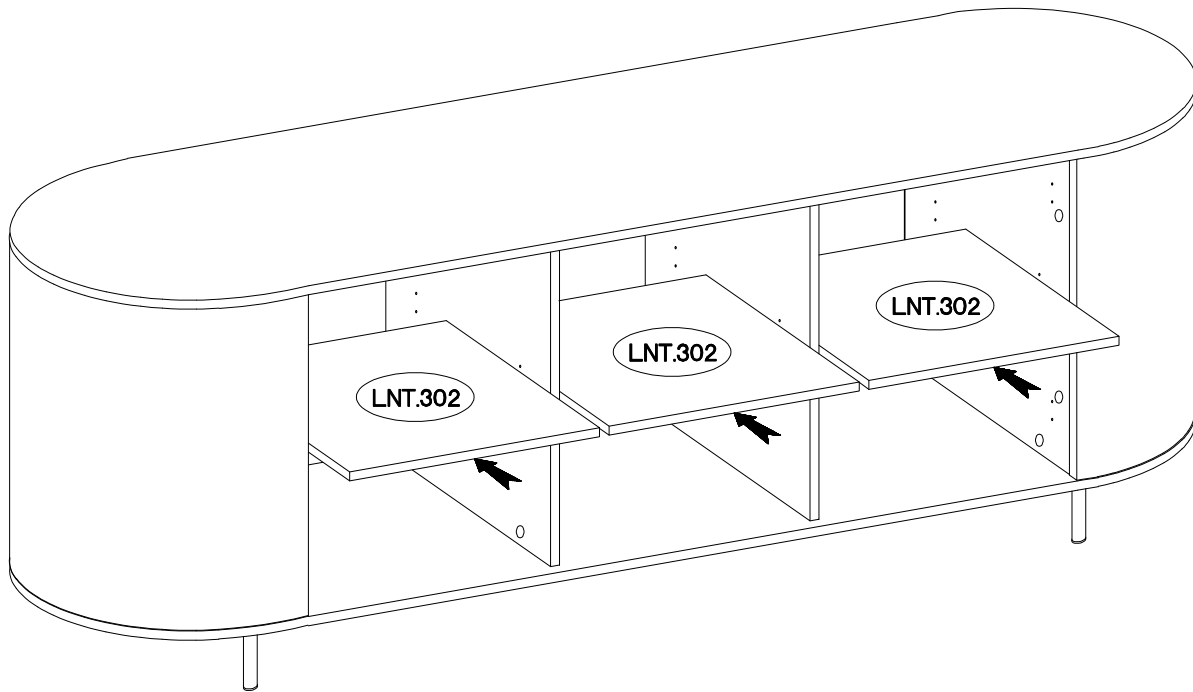
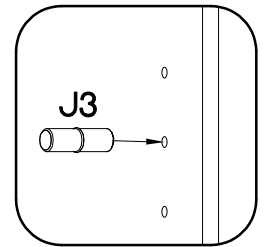


 10x50mm Ø7 1	 5.0x60mm P12 1	 20 E11 32
--	--	---





11

±5/16mm

J3
12



12

±35/16mm	±3.5x13mm
	
HG2	P5
4	8

