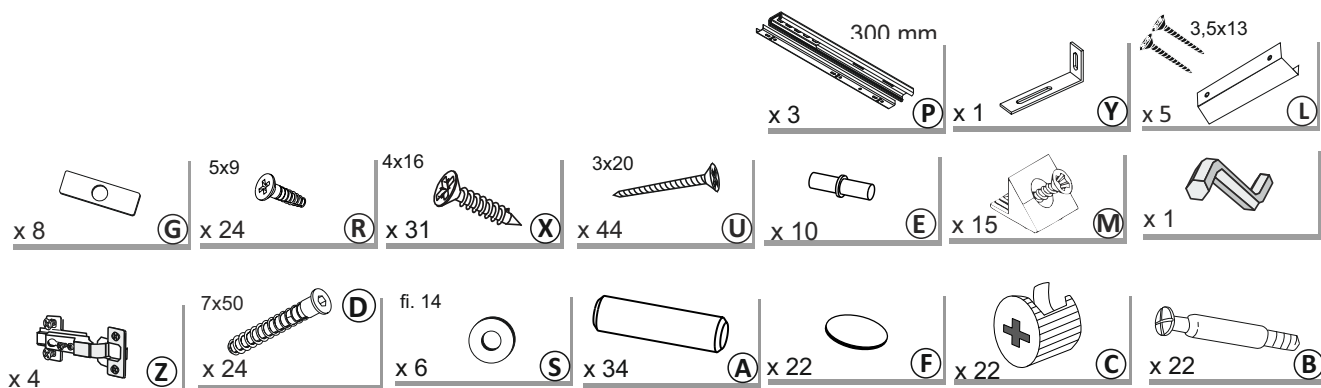
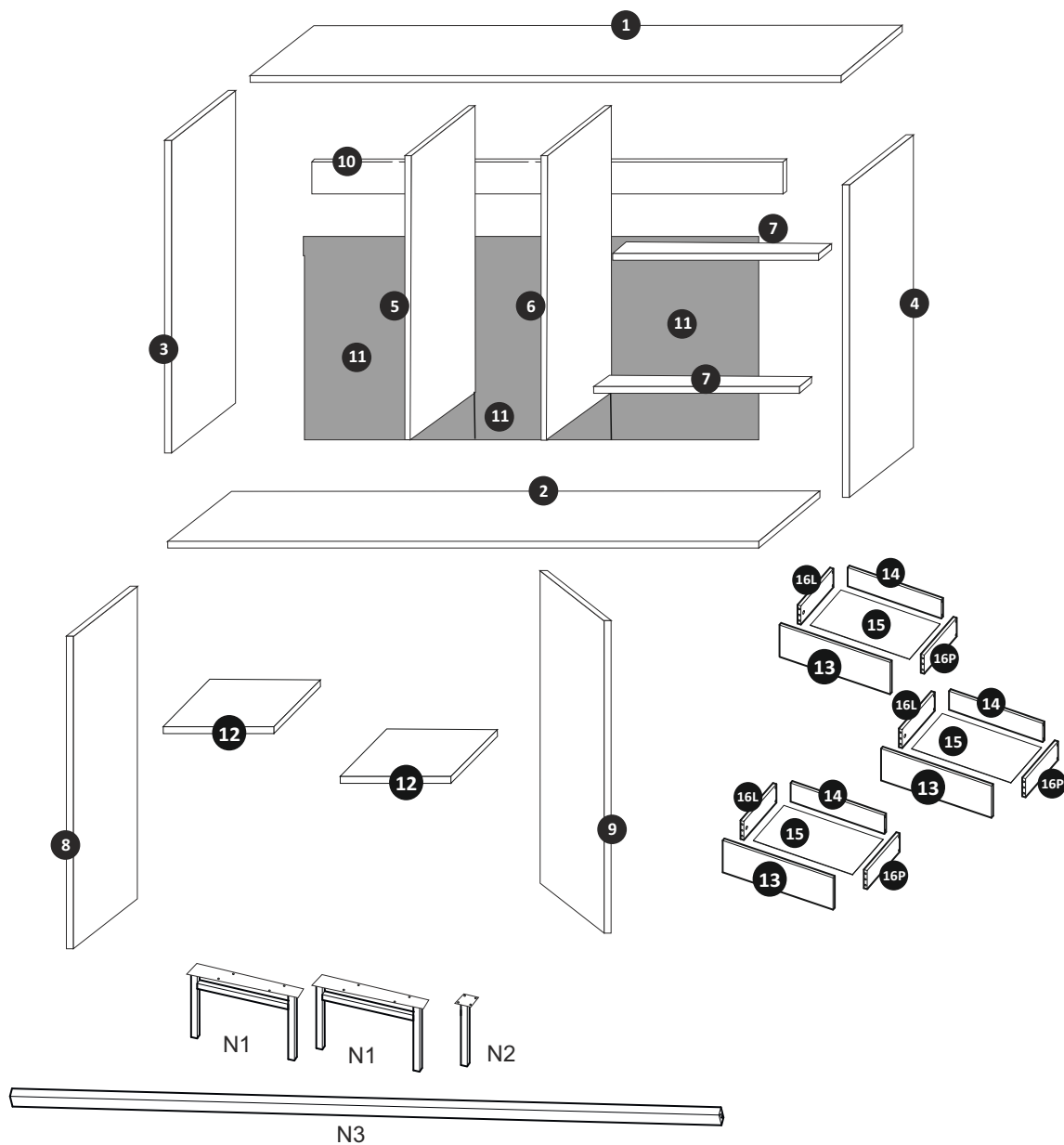
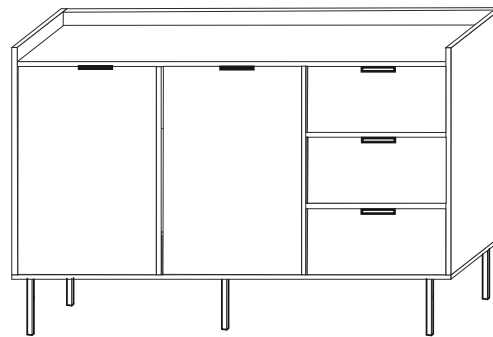
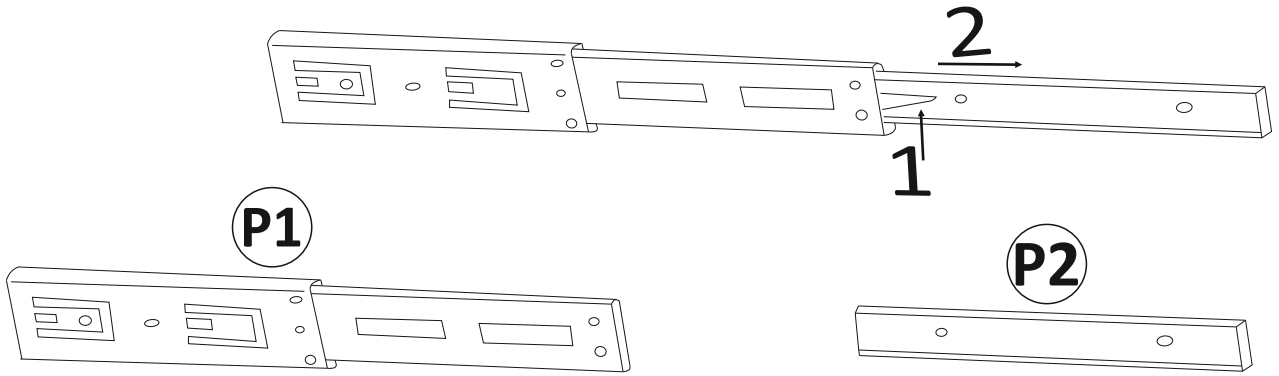


EDISON KOMODA 2D3S



1

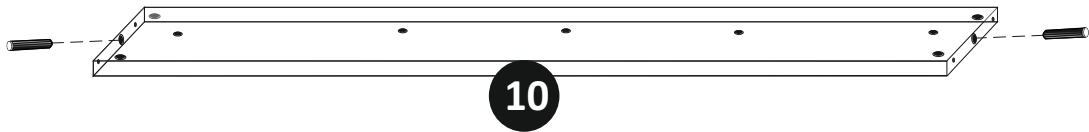
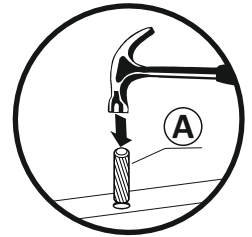
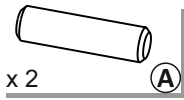
P



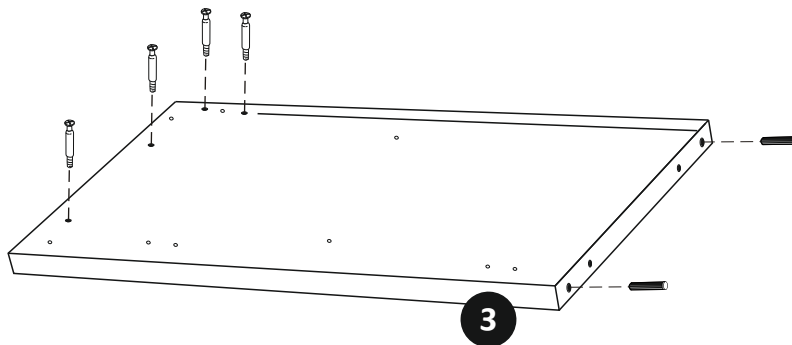
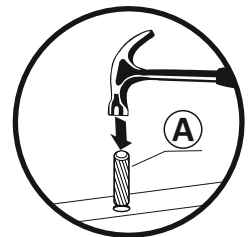
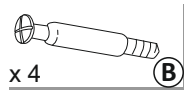
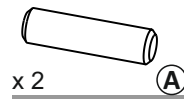
P1

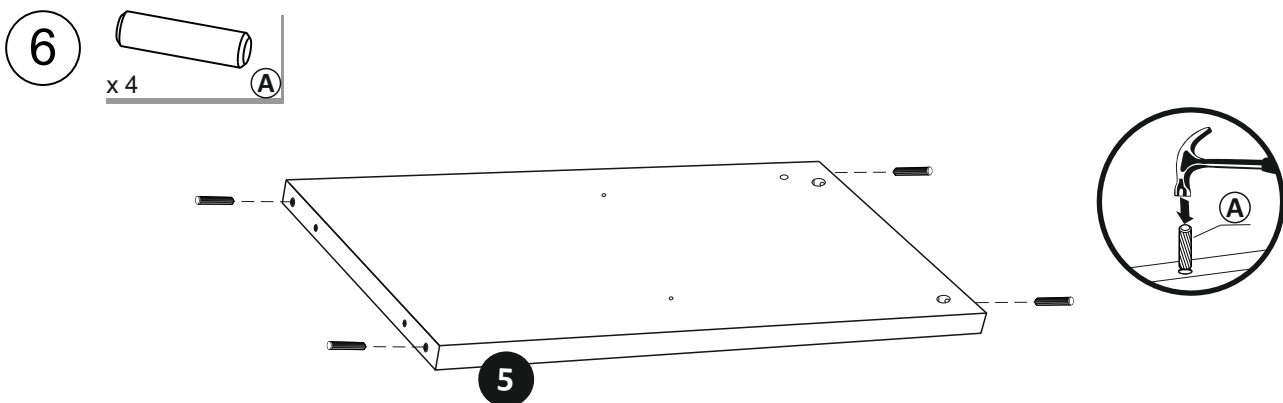
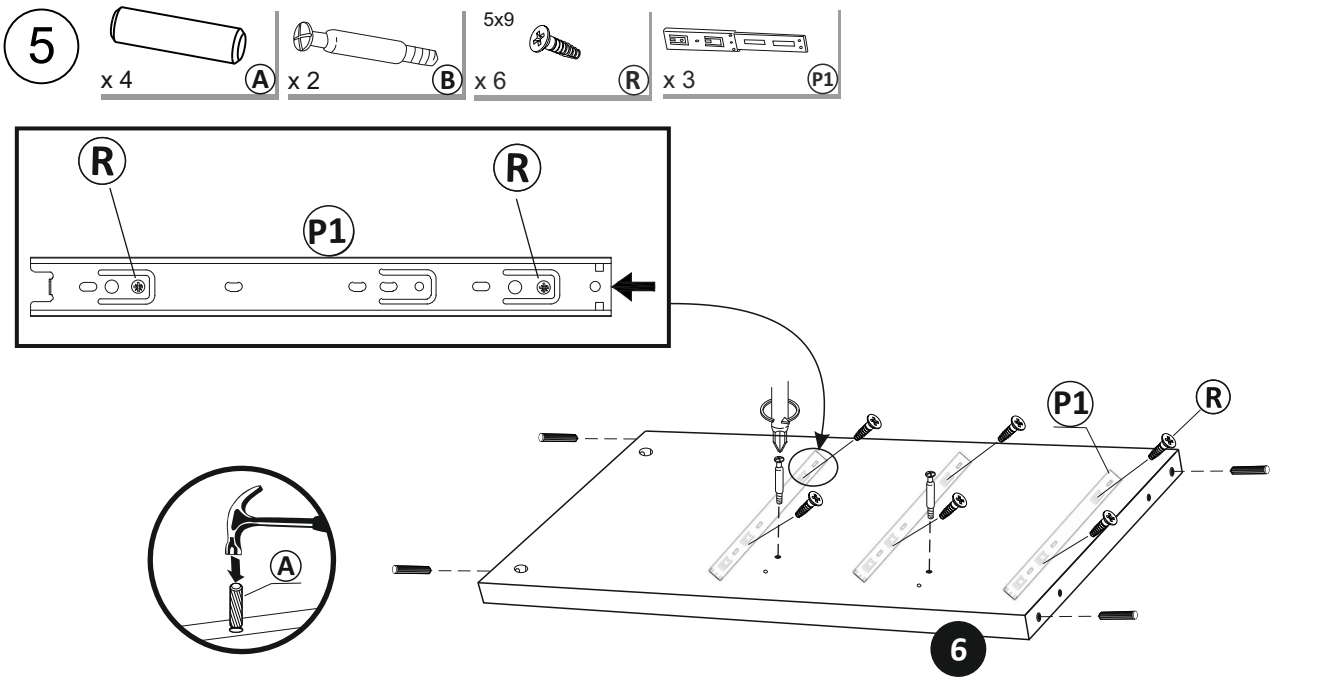
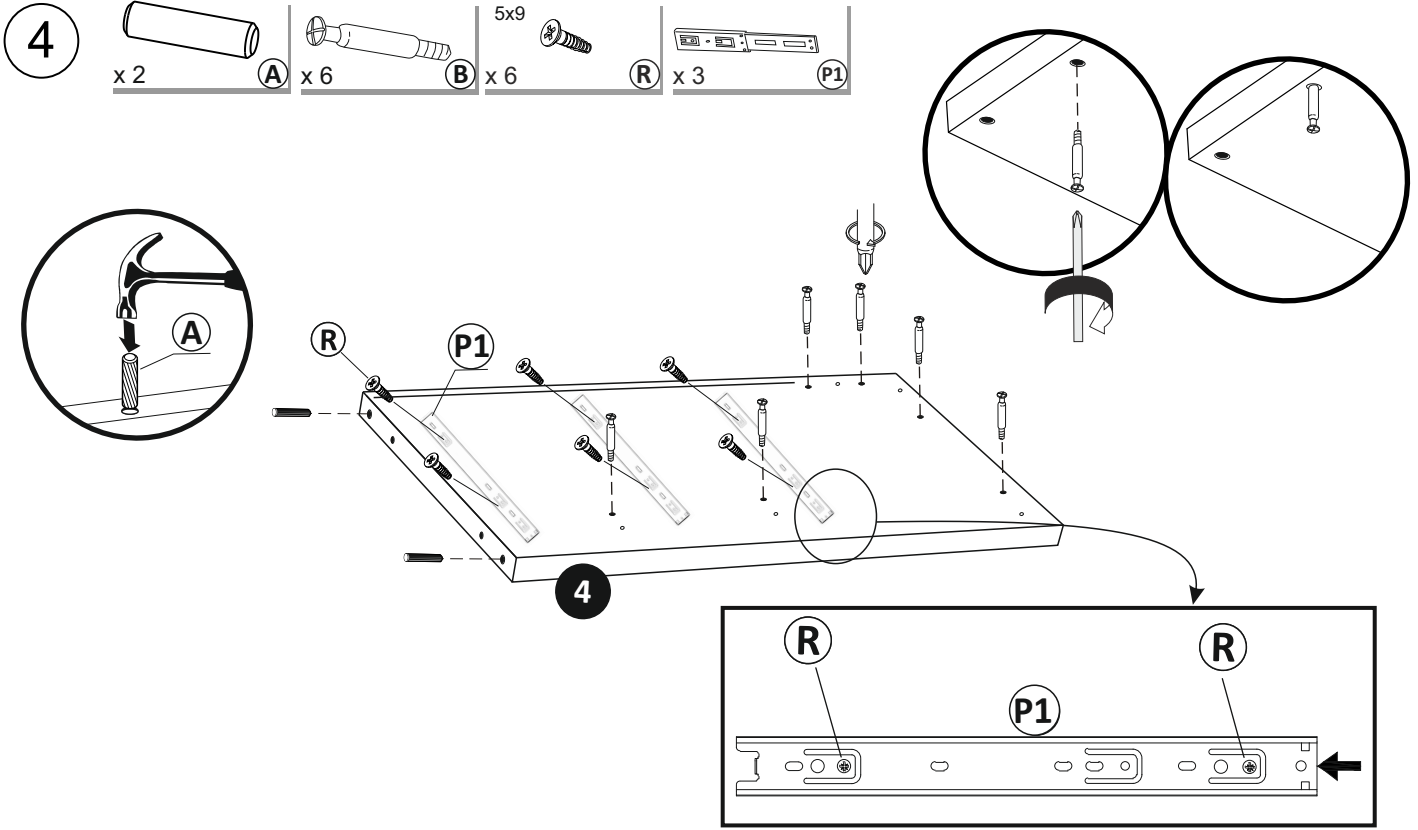
P2

2

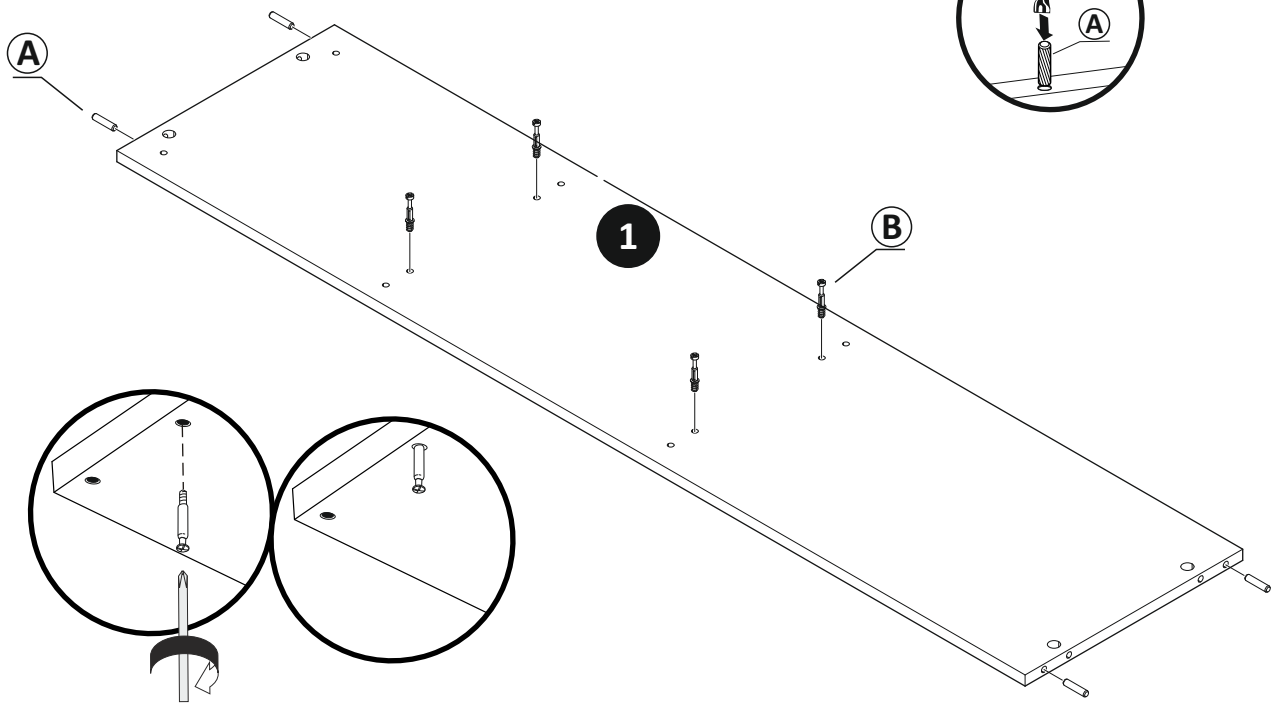
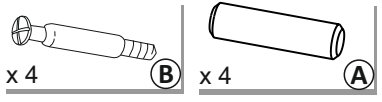


3

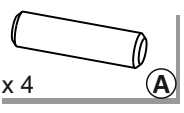




7



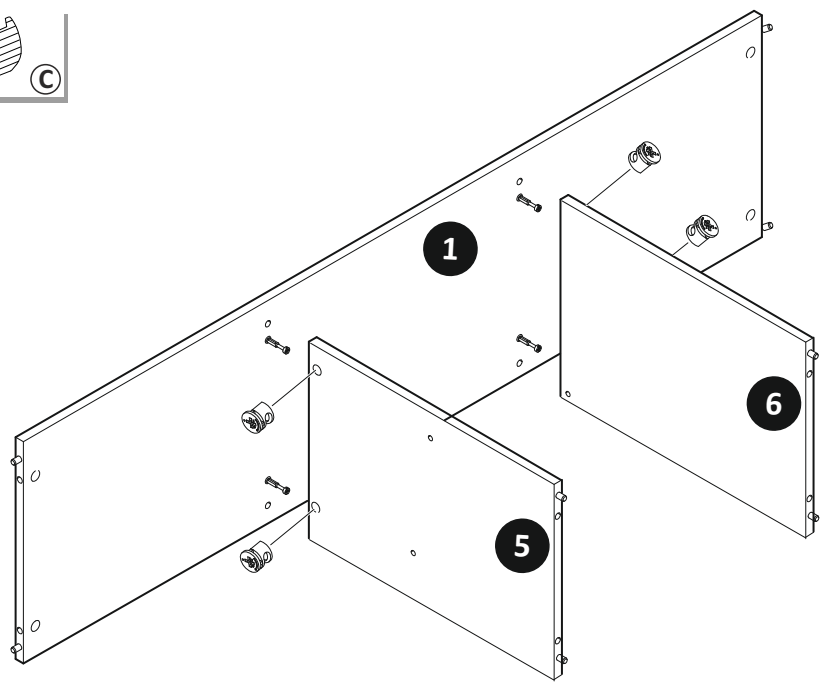
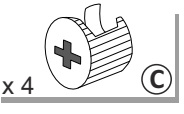
8



! 2x

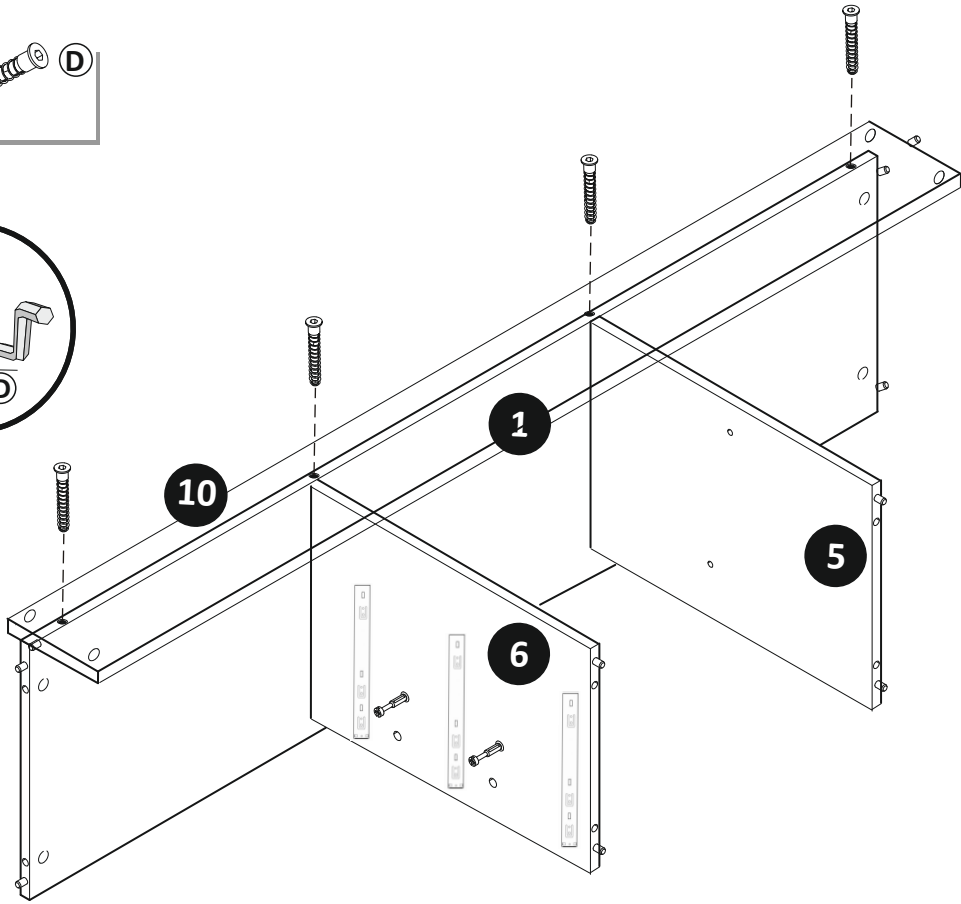
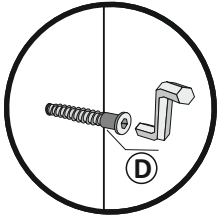


9

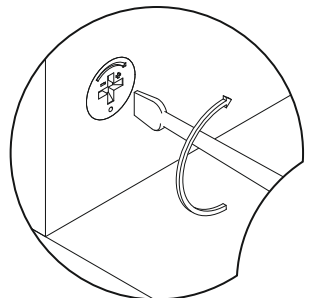
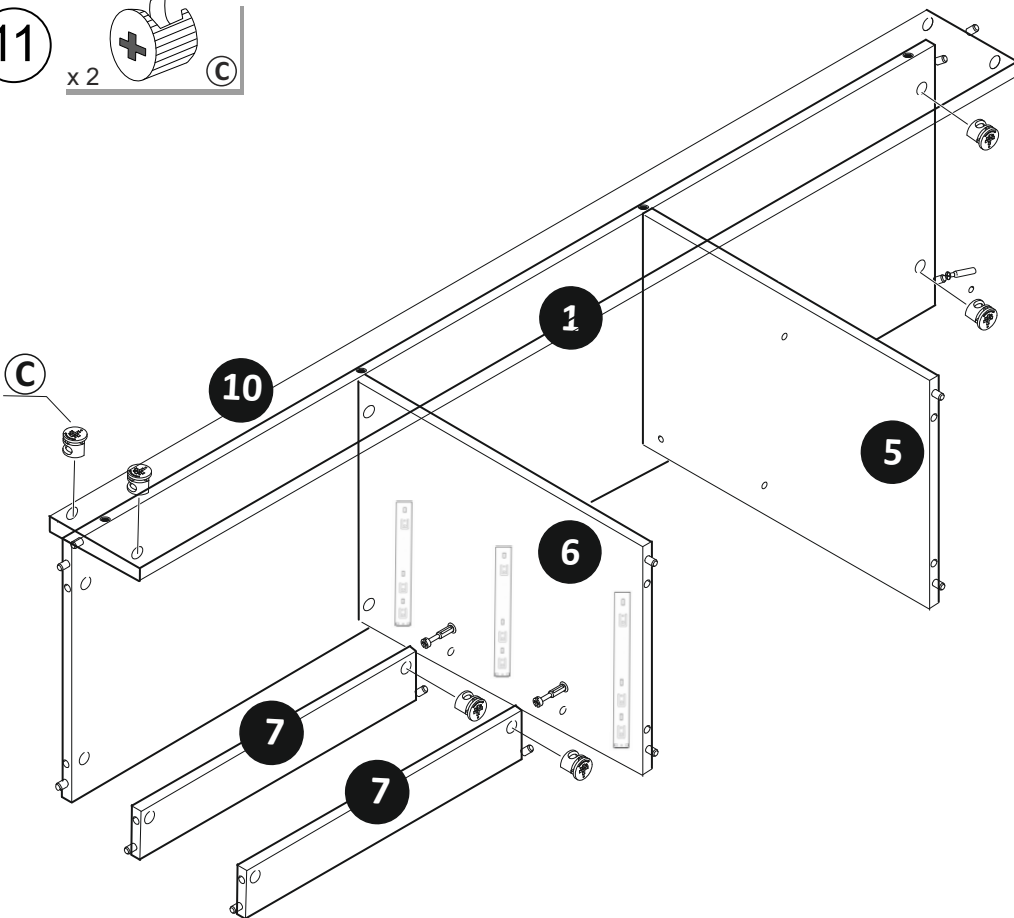
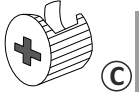


4

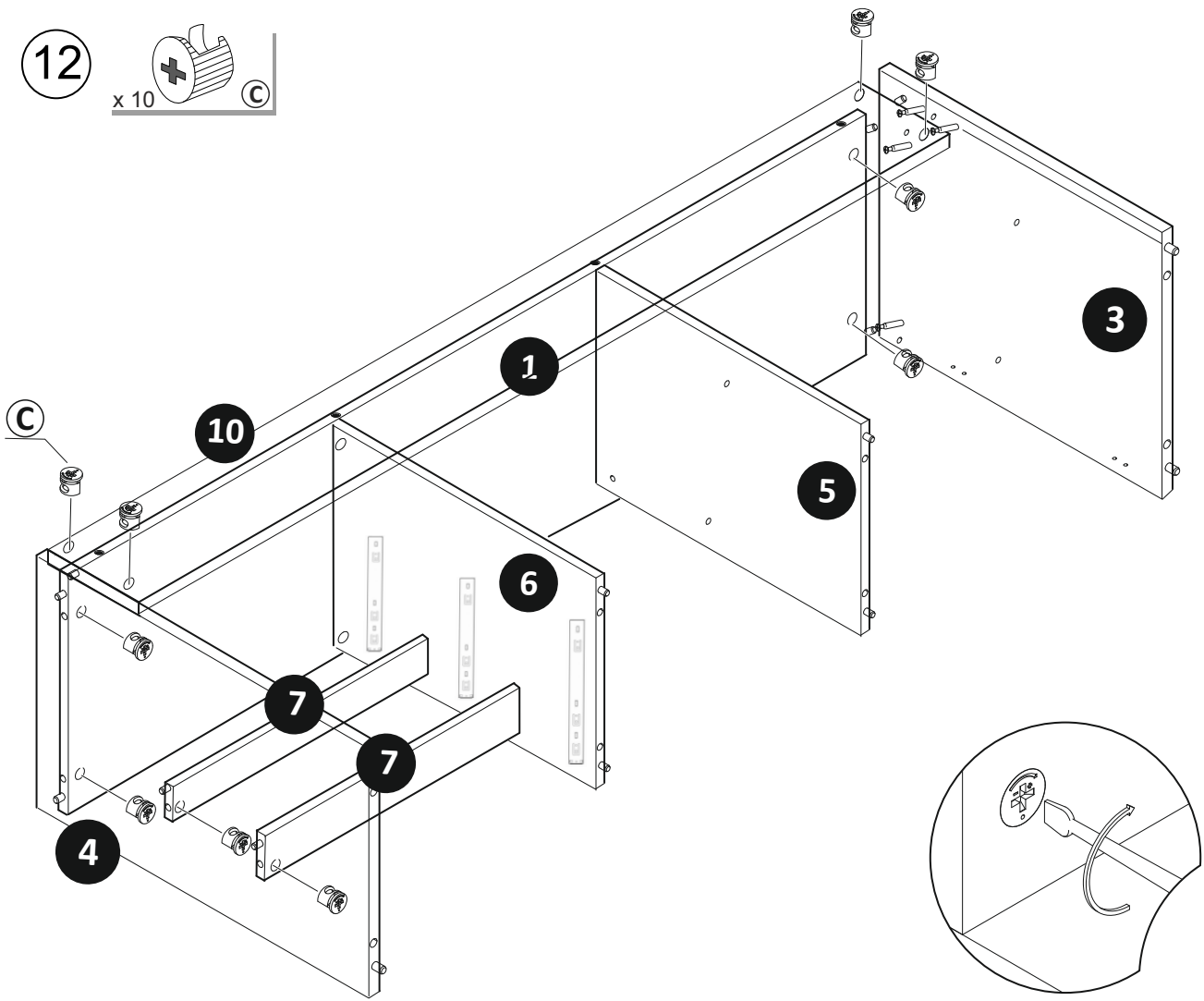
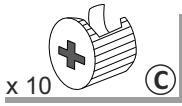
10 7x50
x 4



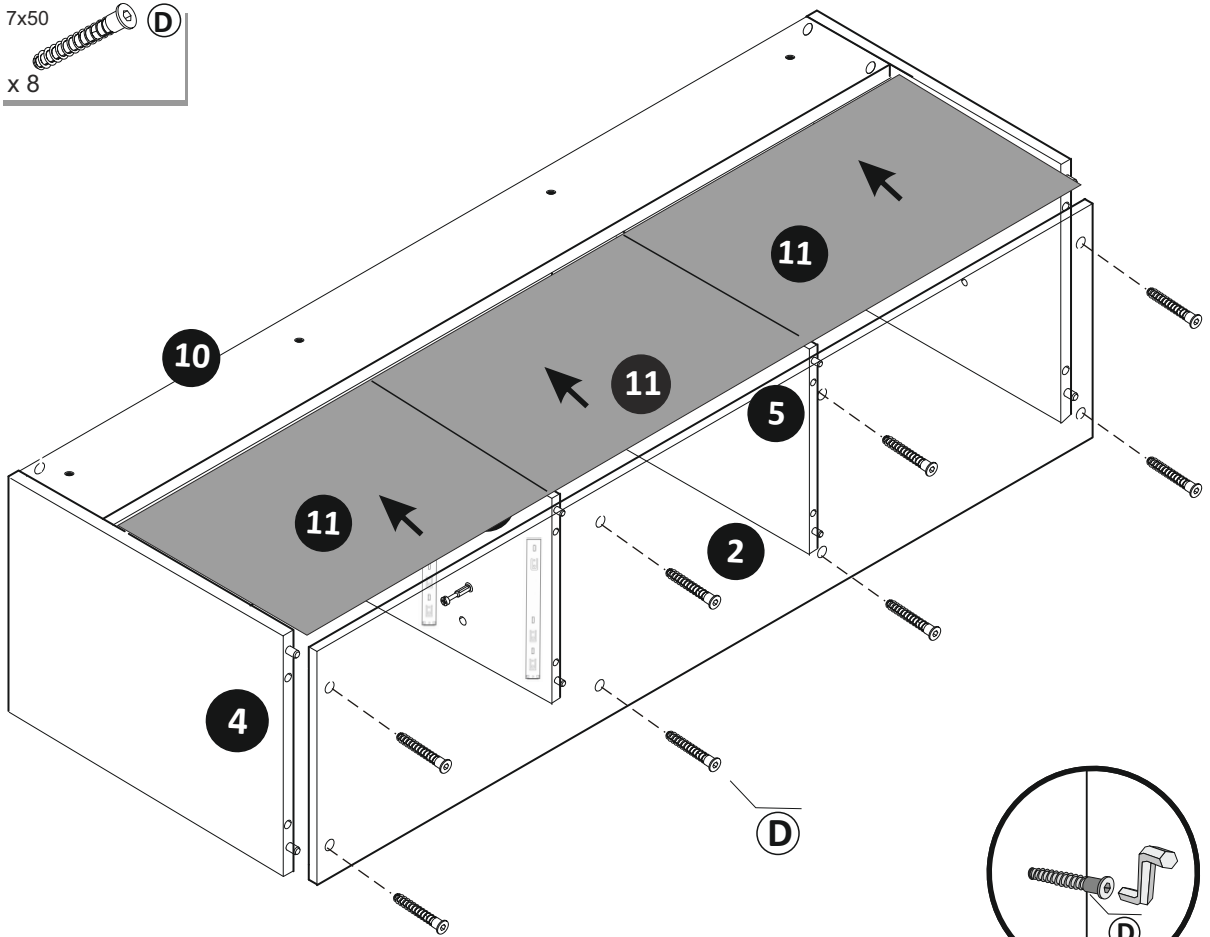
11 x 2



12

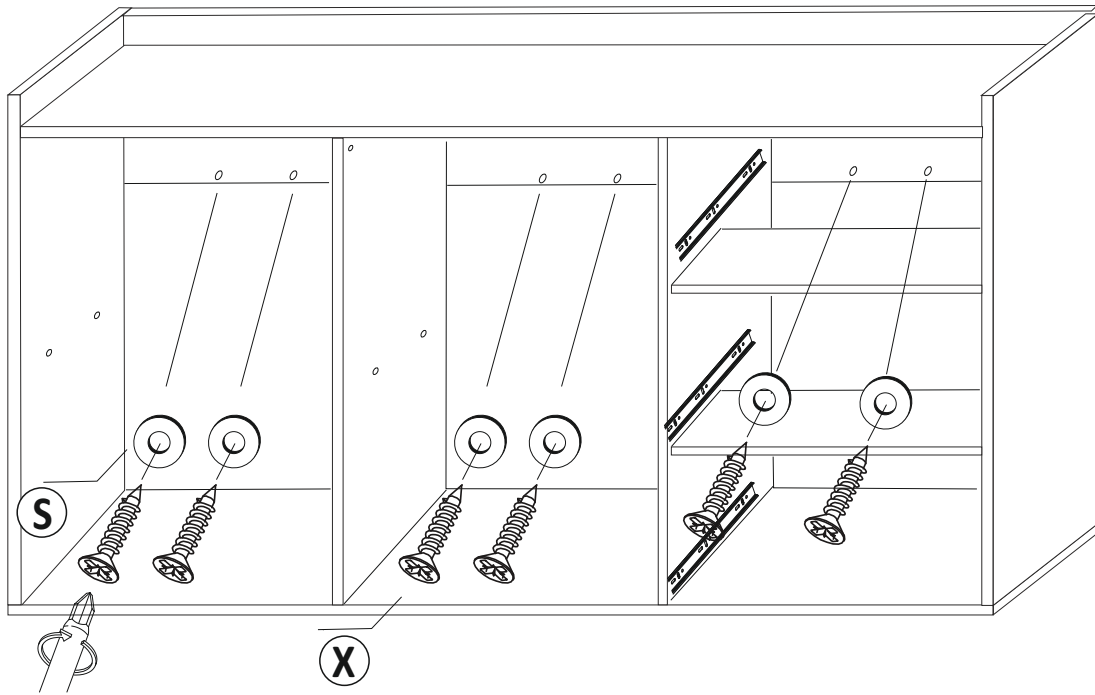


13

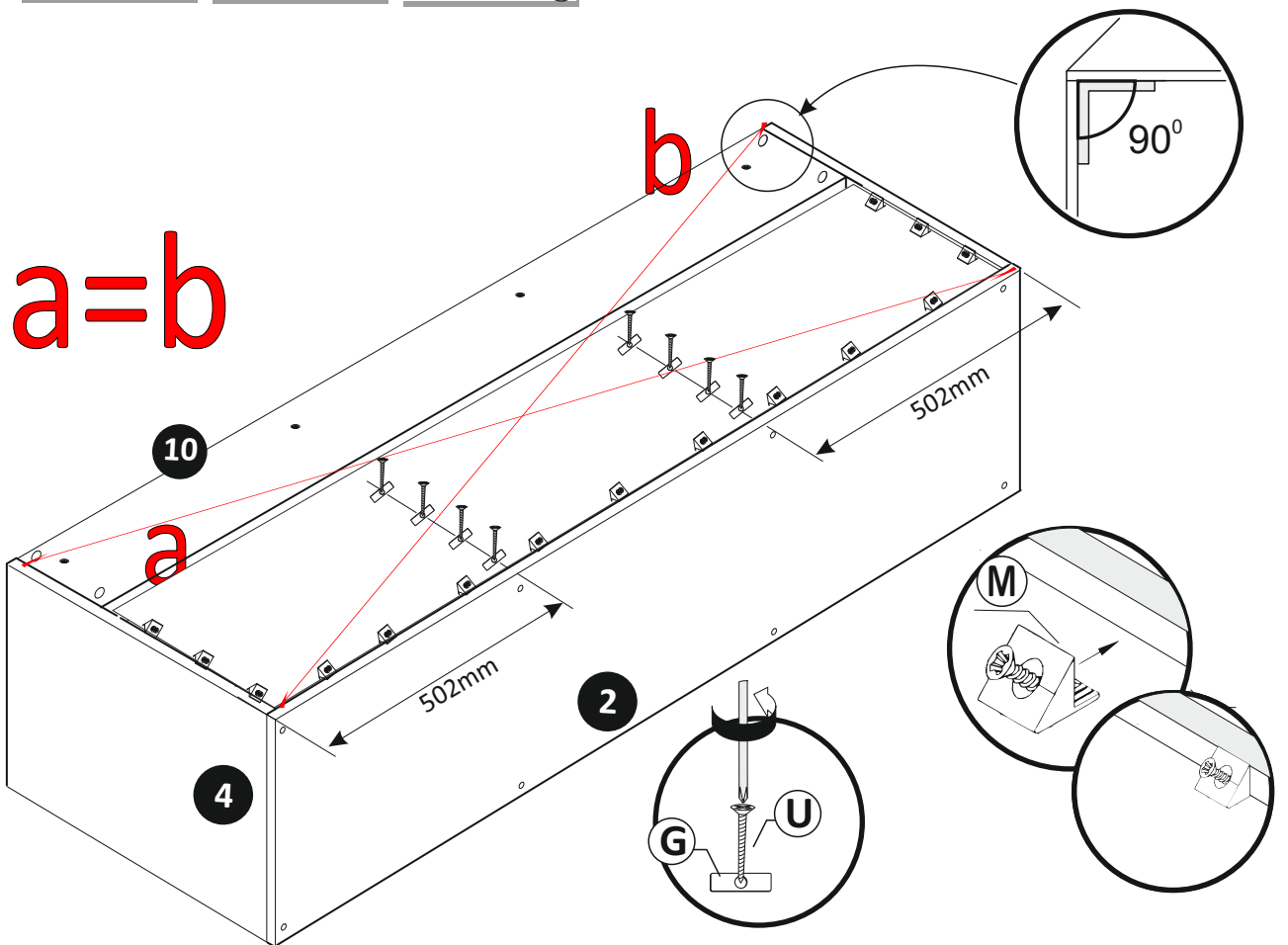


6

- 14 fi. 14 4x16
- x 6 S x 6 X



- 15 x 15 M x 8 G x 8 3x20 U

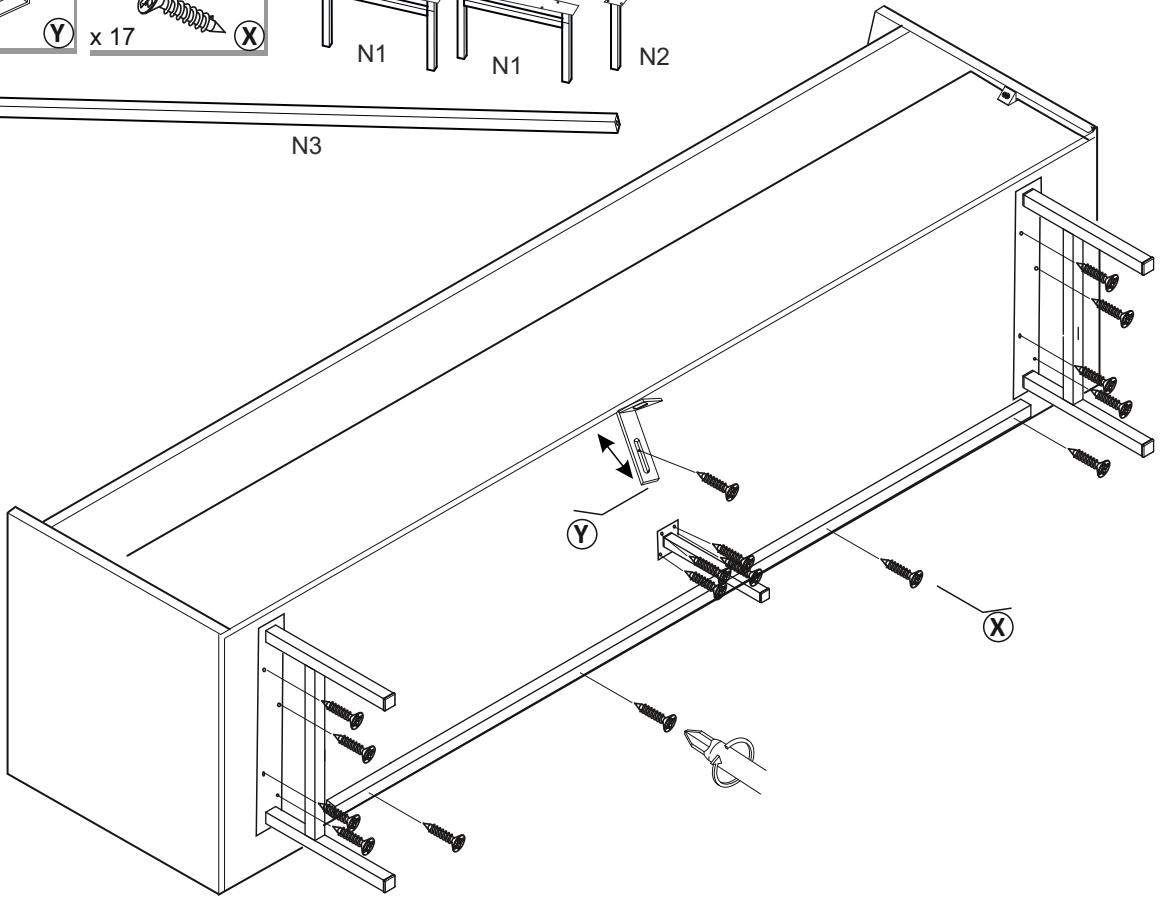


16

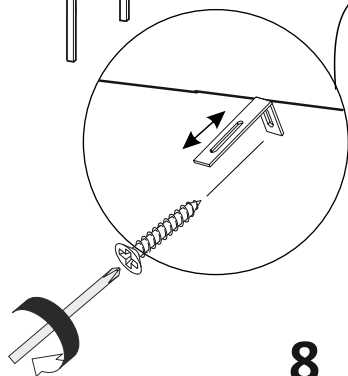
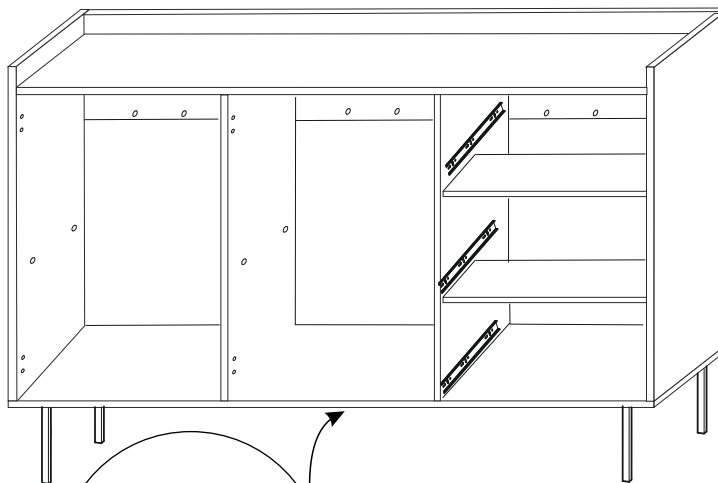
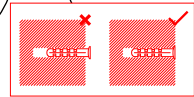
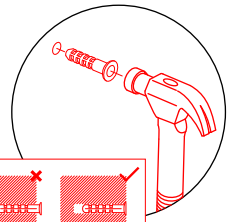
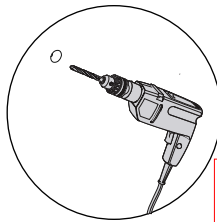
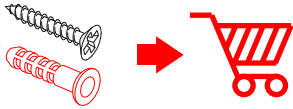
x 1 (Y) x 17 (X)

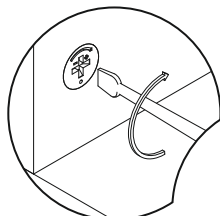
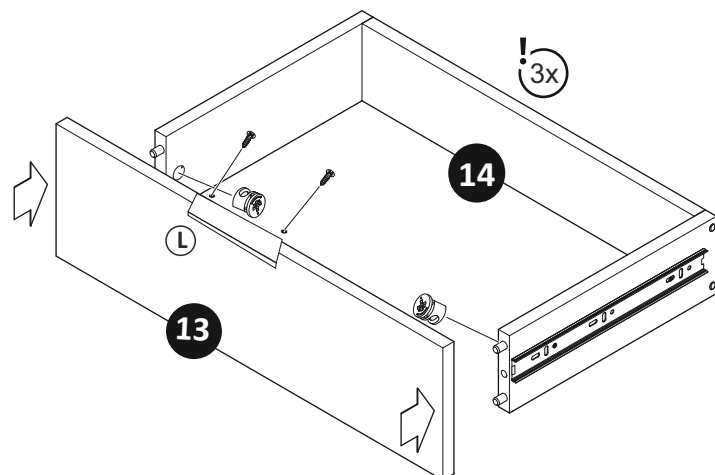
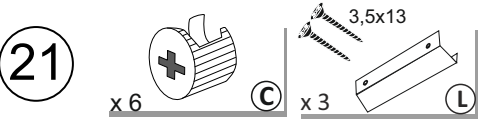
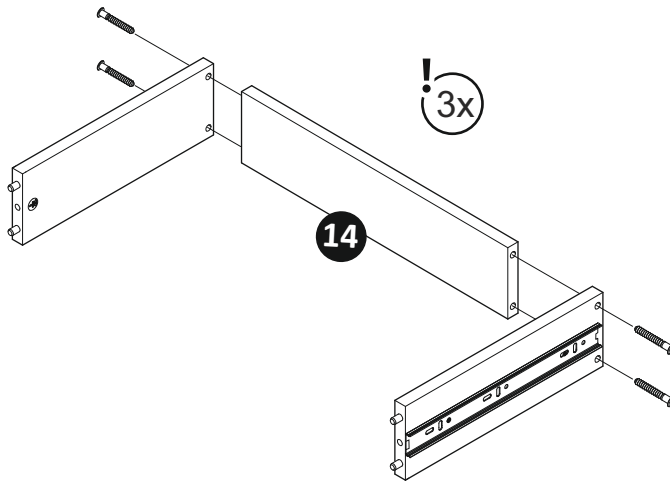
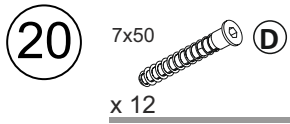
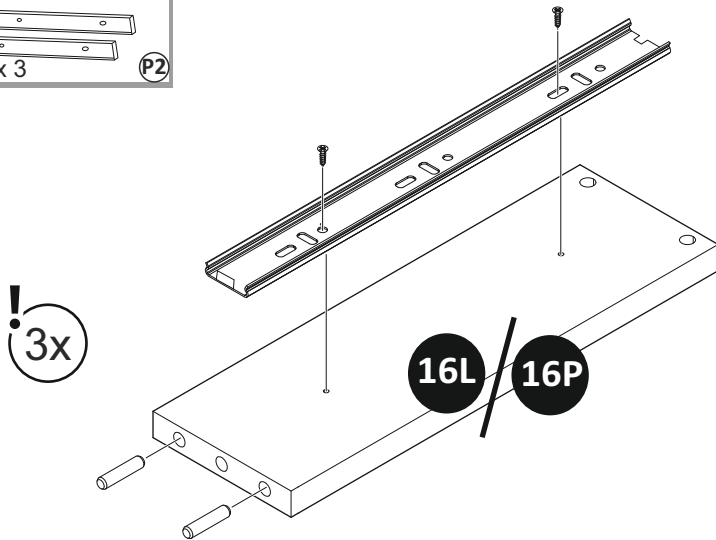
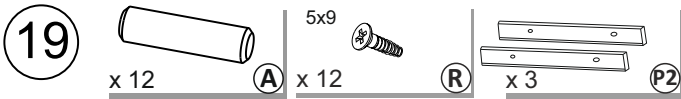
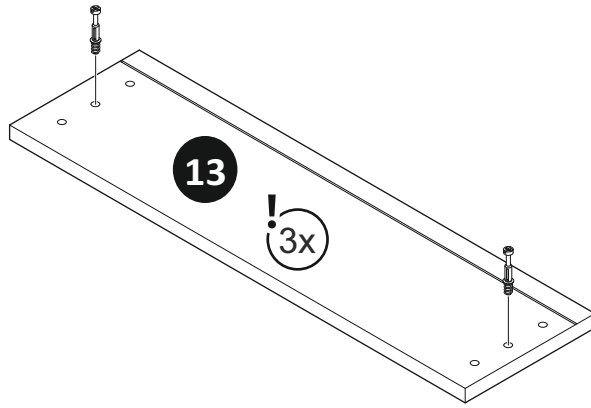
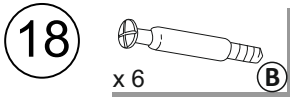
N1 N1 N2

N3

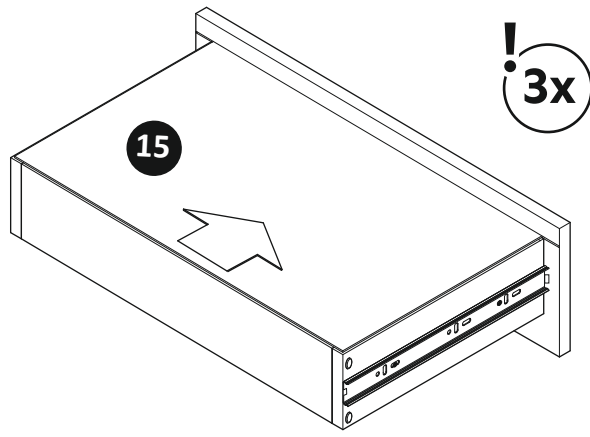


17

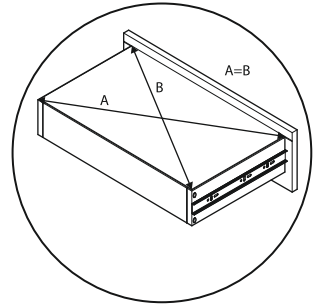
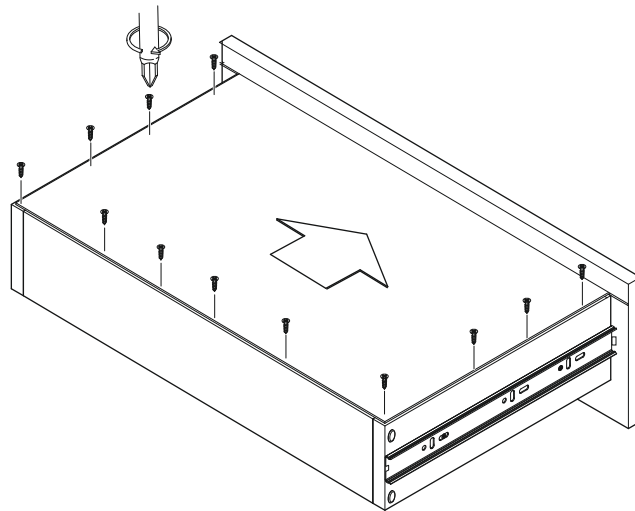
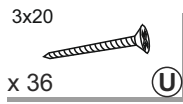




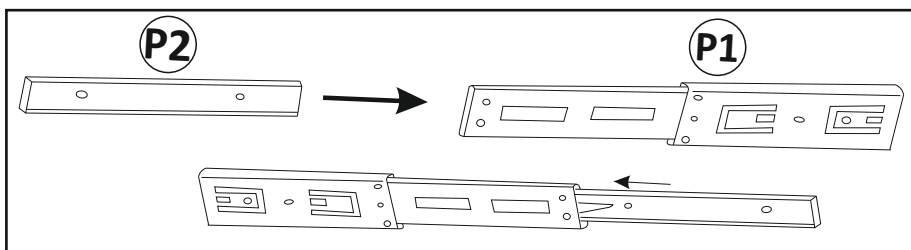
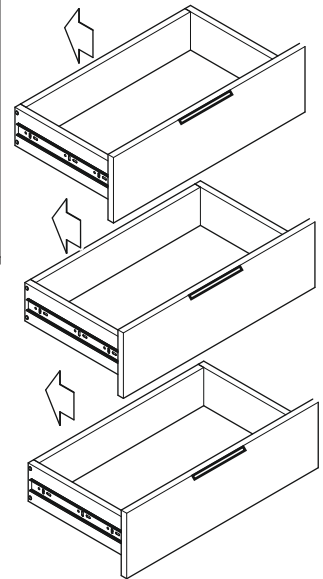
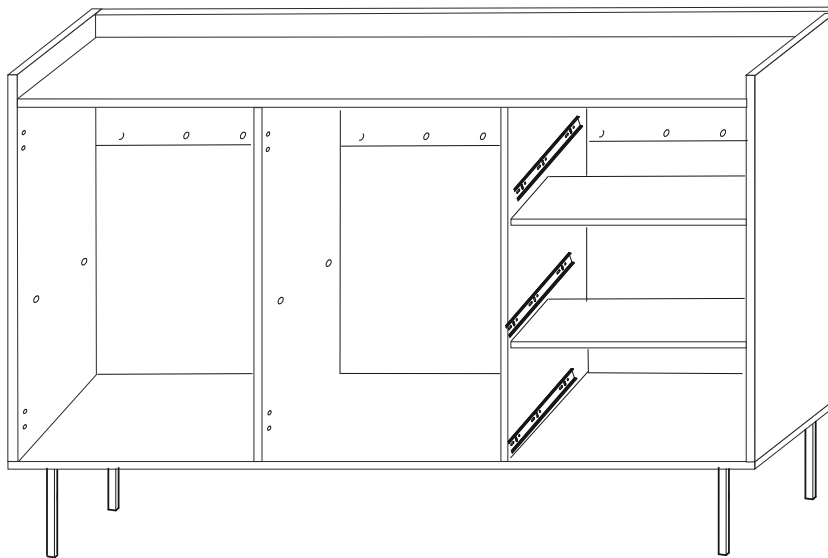
22



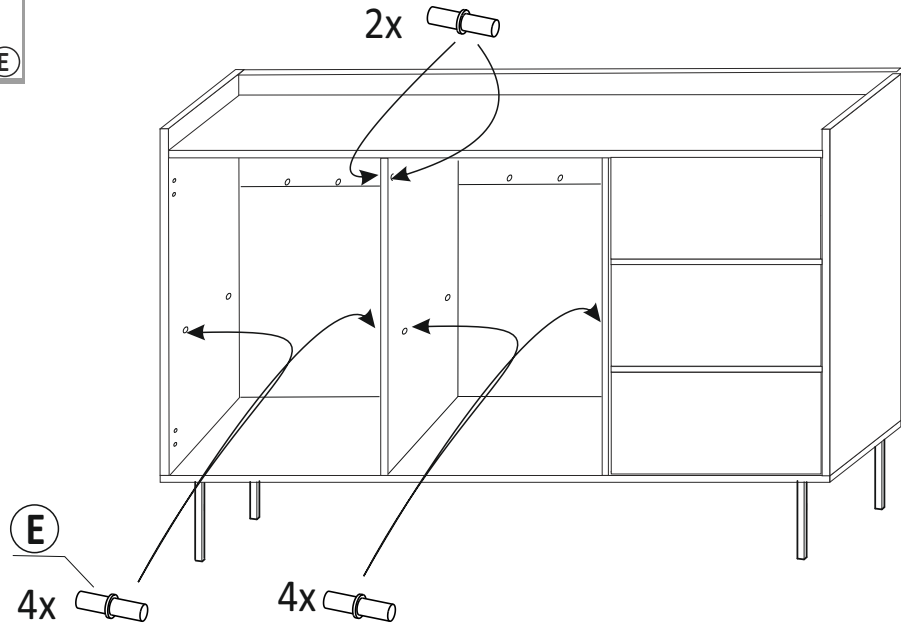
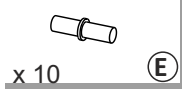
23



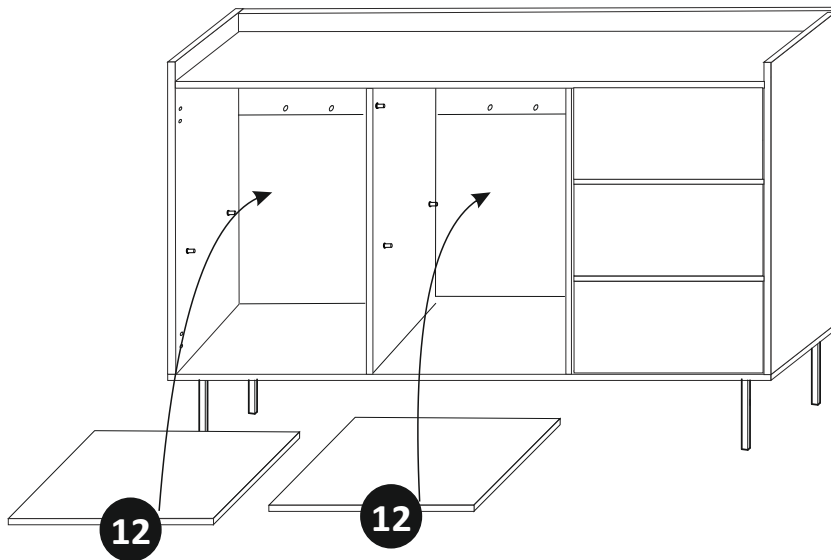
24



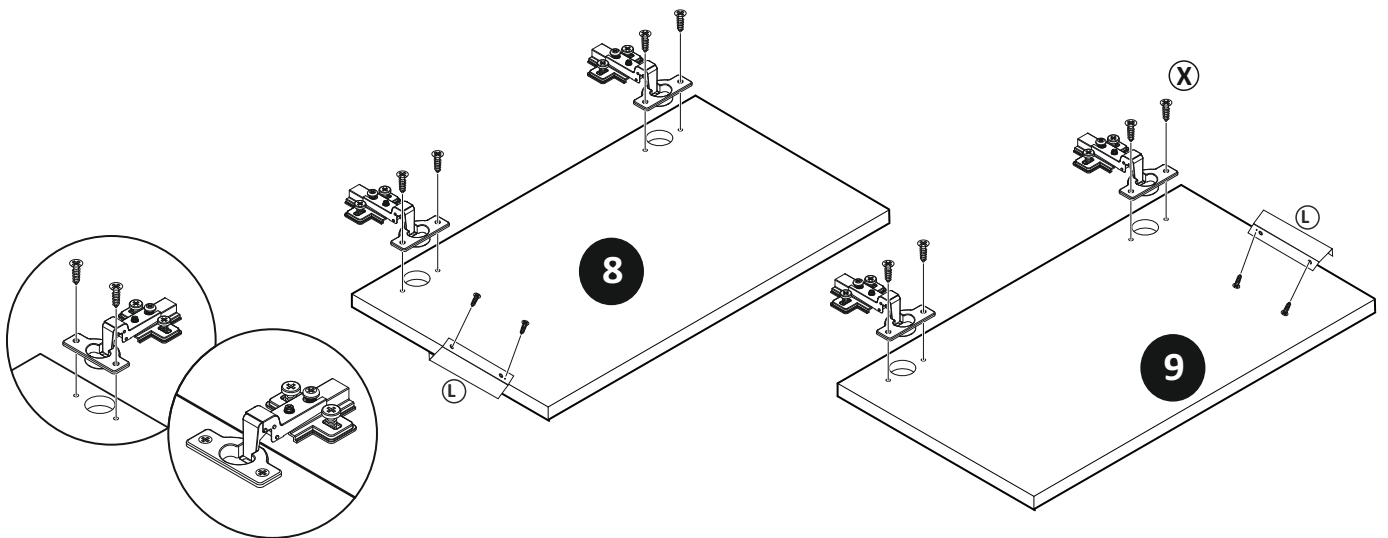
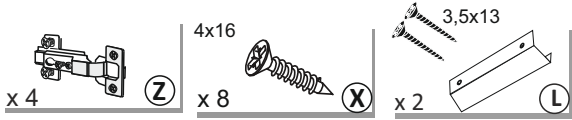
25



26



27



28

x 22



F

