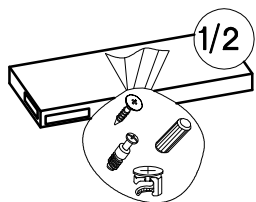
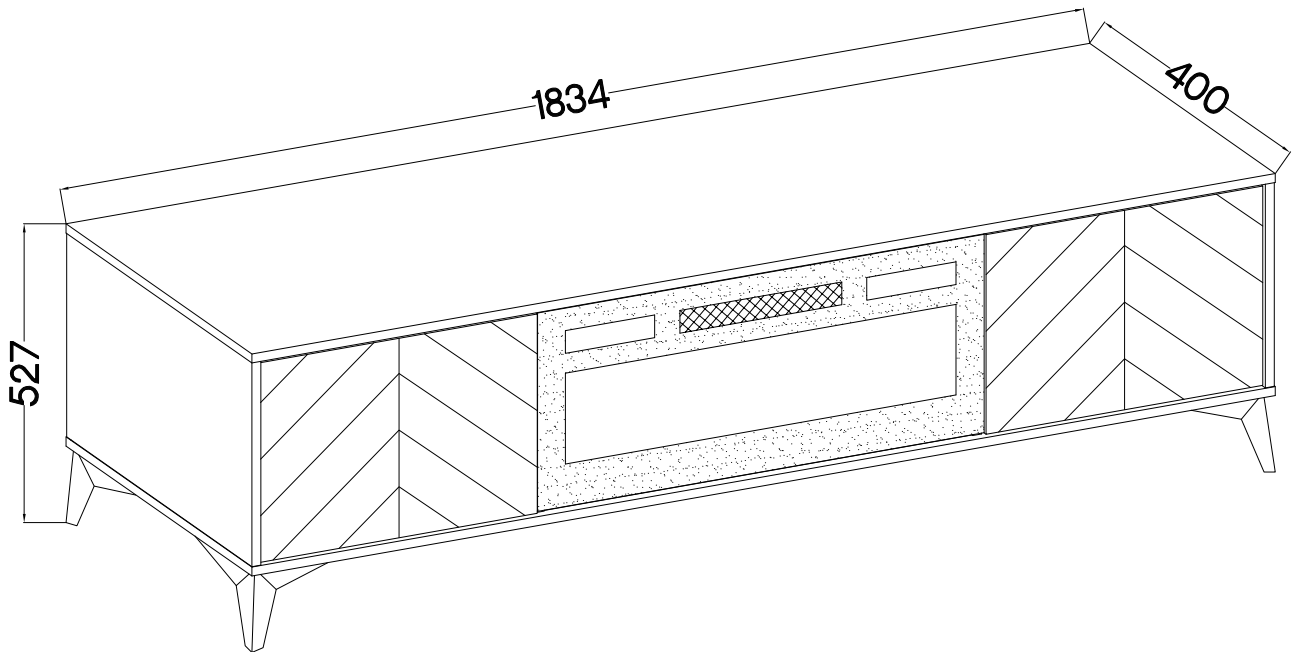
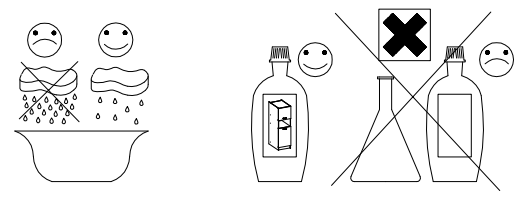
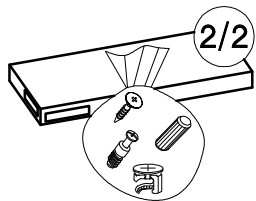


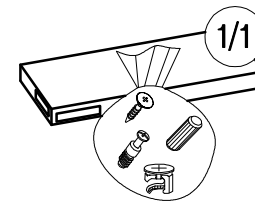
TYP 303



<b>+8x30mm</b> A 16	<b>+15/12mm</b> C 16	<b>L=20mm</b> D2 16	<b>+20</b> E11 16	<b>+35/16mm</b> HG2 4
<b>L</b> 12	<b>L9</b> 1	<b>L33</b> 2	<b>+10x50mm</b> O7 1	<b>+3.5x13mm</b> P5 13
			<b>+3.0x20mm</b> P7 6	<b>+4.0x25mm</b> P14 2
				<b>+4.0x16mm</b> R11 20

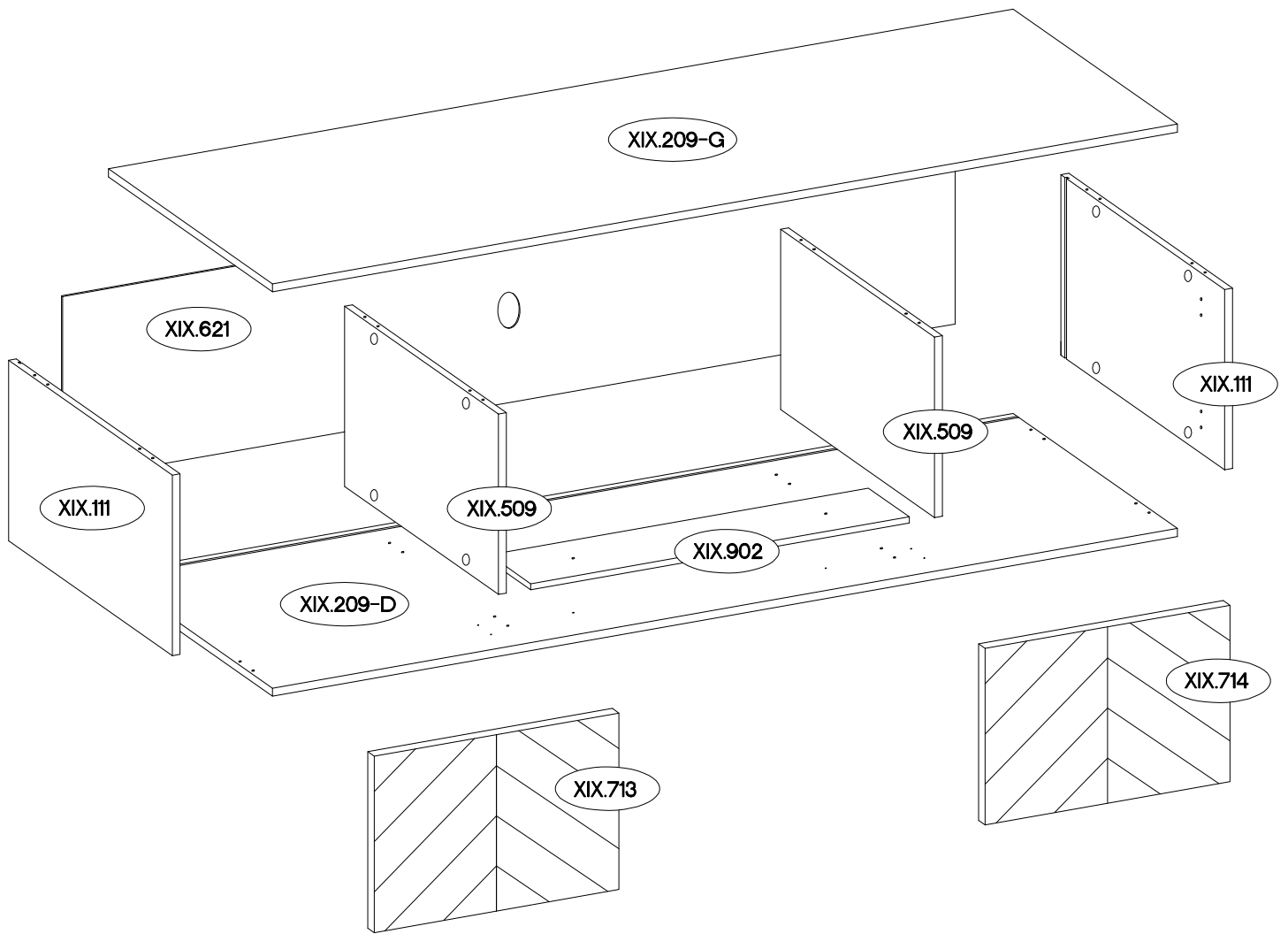


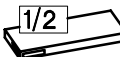
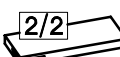
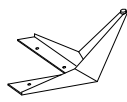
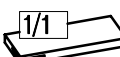
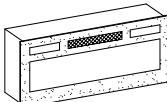
<b>L=130mm</b> F33 5
----------------------------



<b>L44</b> 1
-----------------

ISM-XIX-008



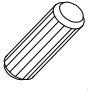


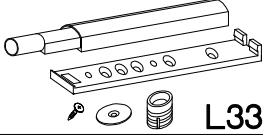

	Ersatzteil Nummer	Dimension
	XIX.111 x2	360x399x16
	XIX.509 x2	360x375x16
	XIX.209 x2	1834x400x16
	XIX.902	768x100x12
	XIX.621	1809x369x2,5
	XIX.713	352x496x16
	XIX.714	352x496x16
		F33 x5
		L44

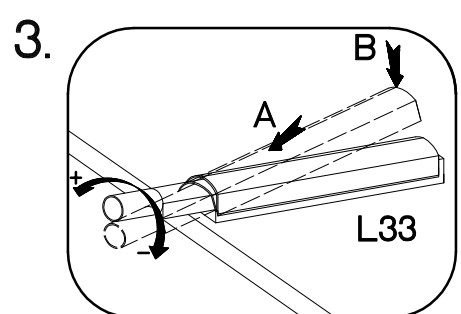
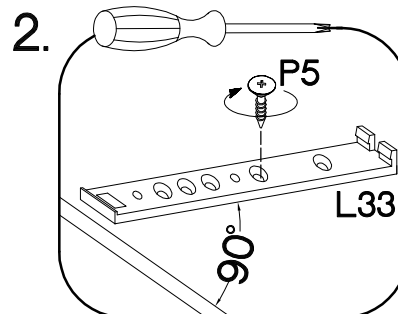
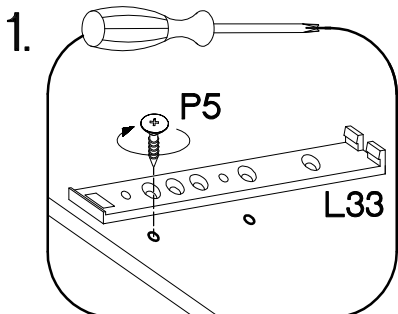
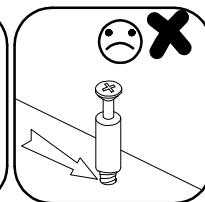
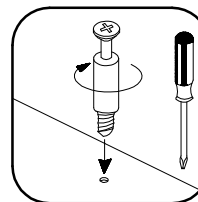
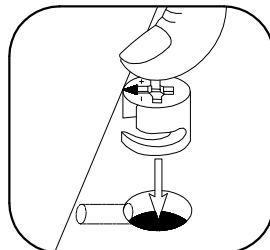
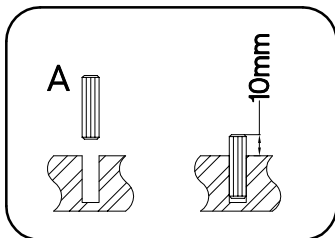
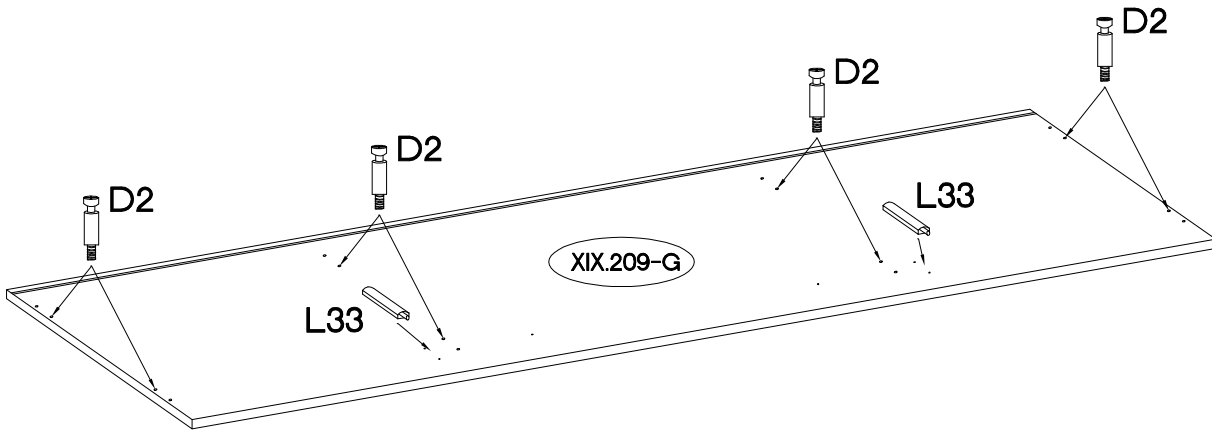
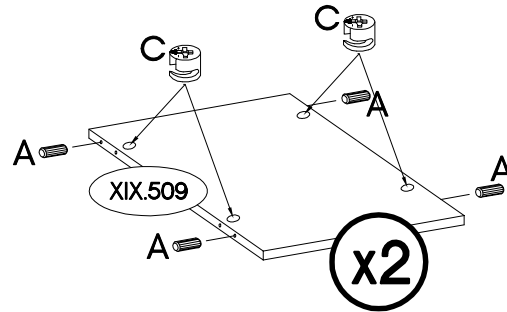
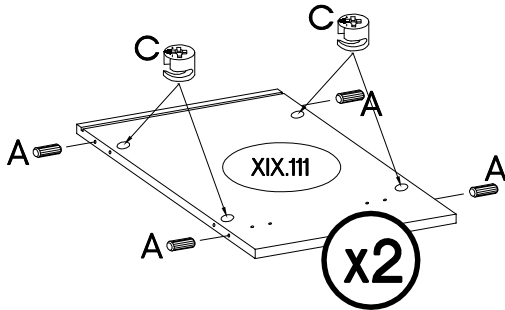
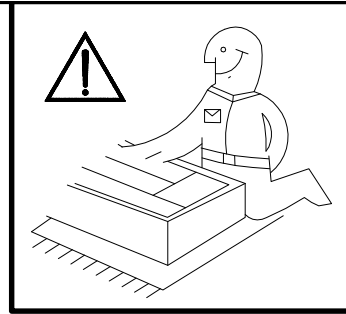


XIX.209-G

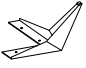

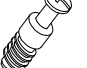


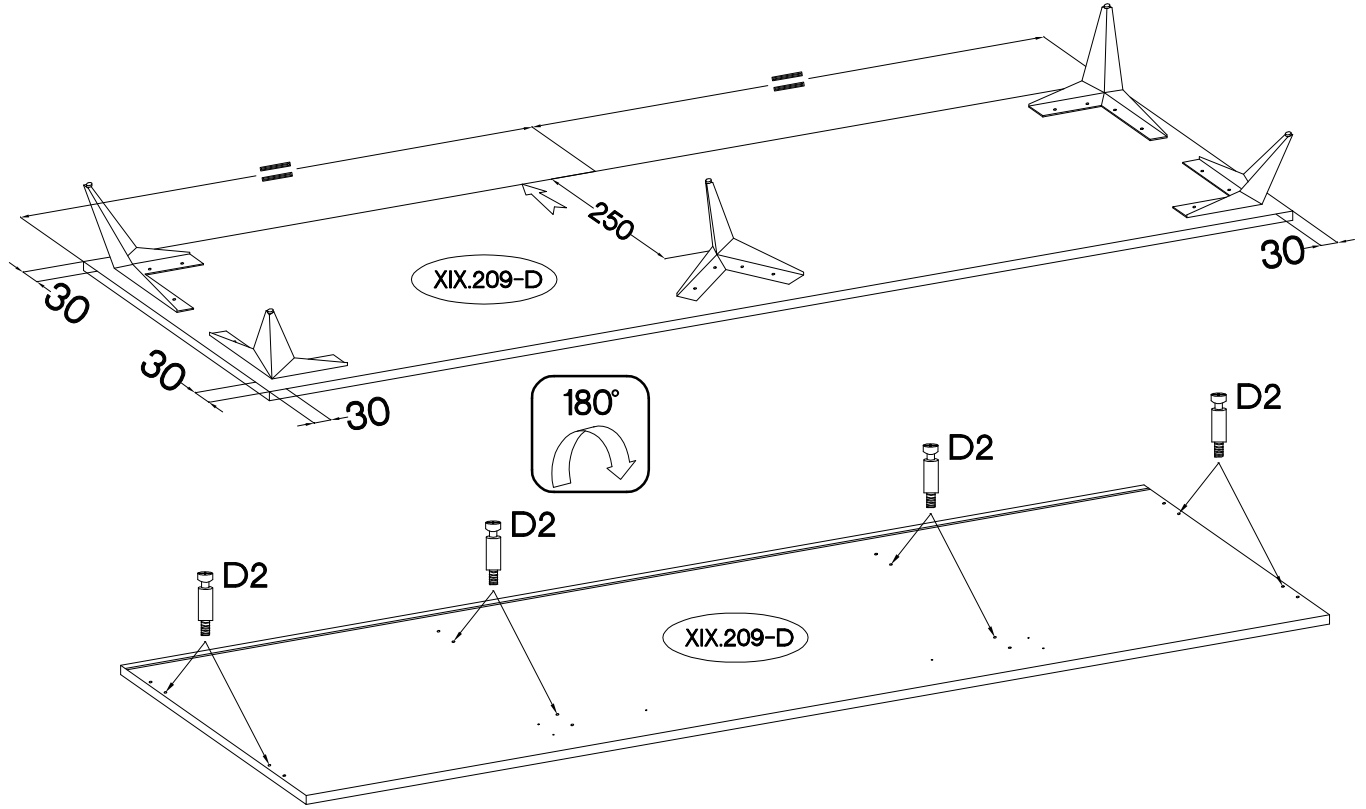
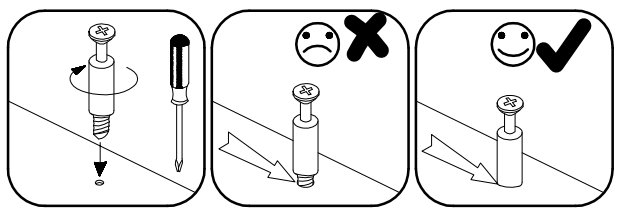
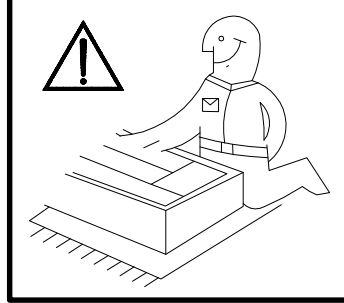
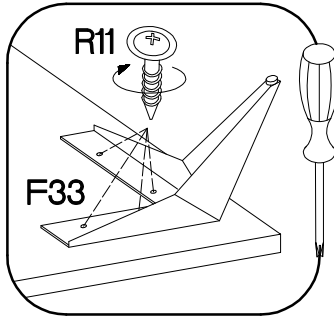
XIX.209-D

 <p>±8x30mm A</p>	 <p>±15/12mm C</p>	 <p>L=20mm D2</p>	 <p>L33</p>	 <p>±3.5x13mm P5</p>
16	16	8	2	4

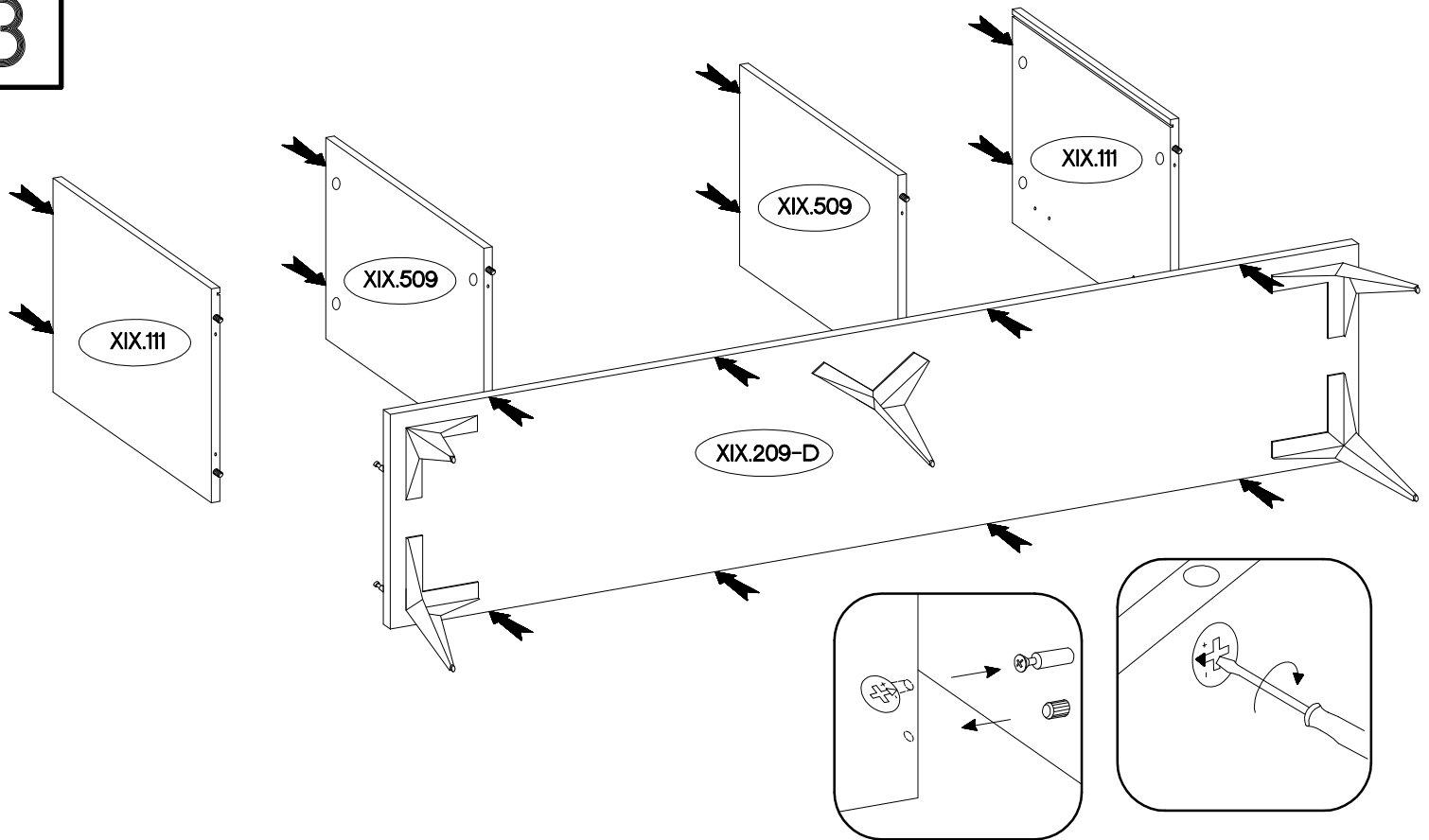


# 2


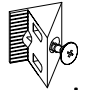
L=130mm	+4.0x16mm	L=20mm
		
F33	R11	D2
5	20	8

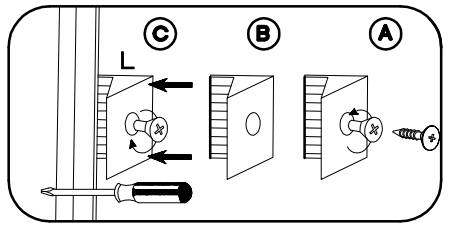
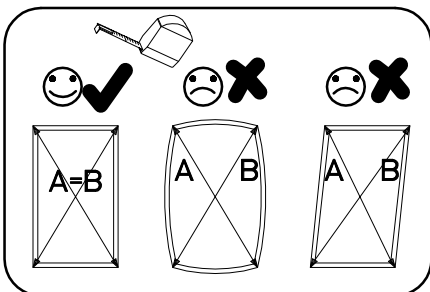
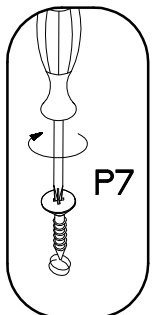
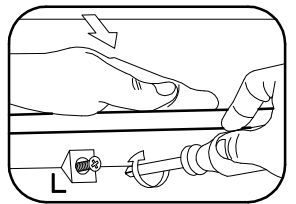
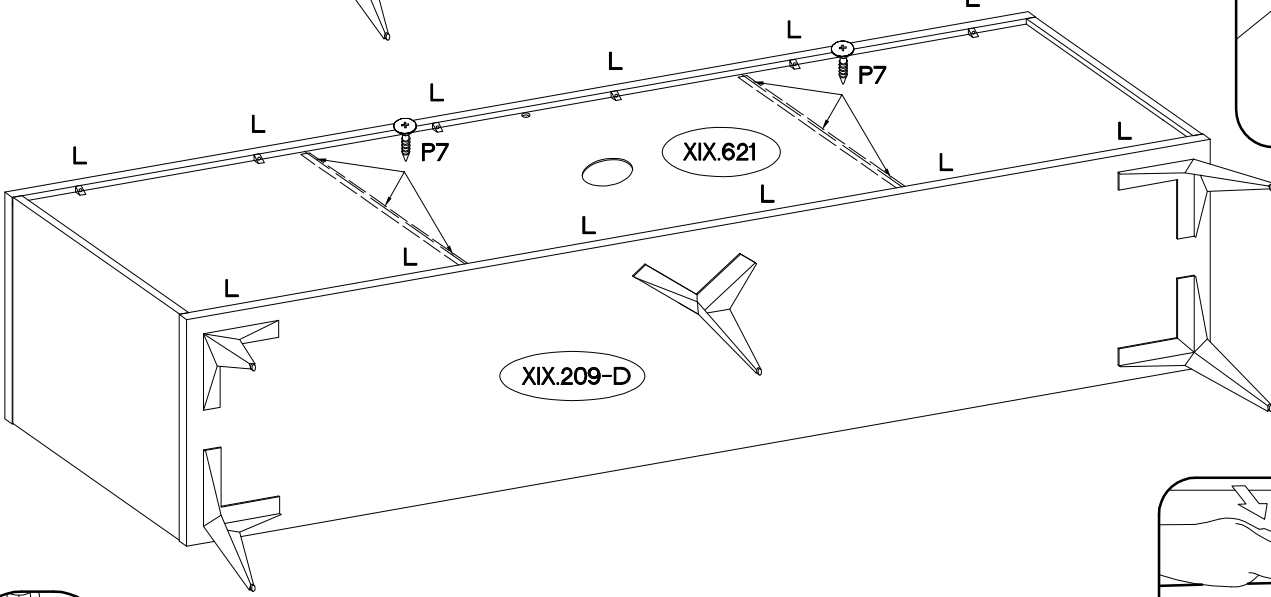
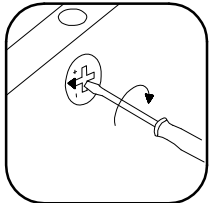
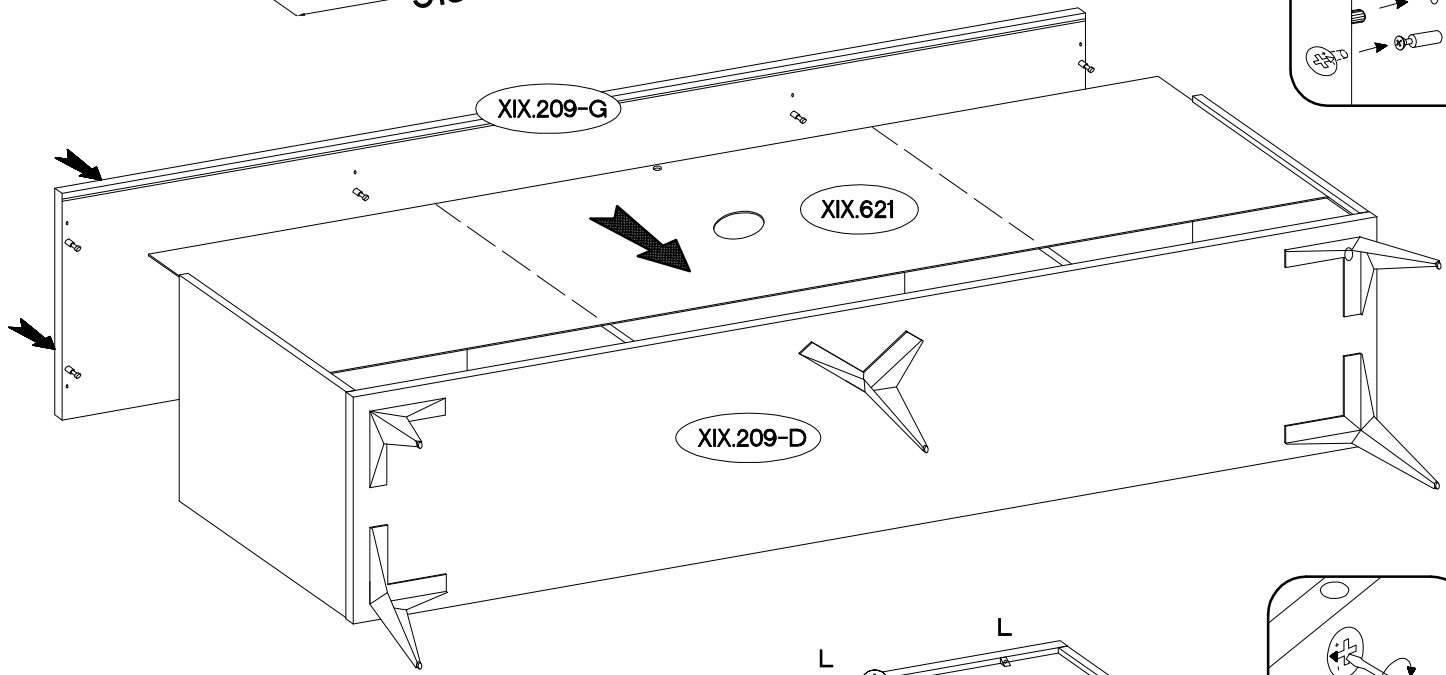
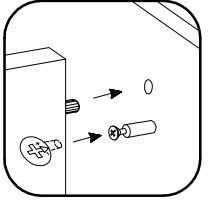
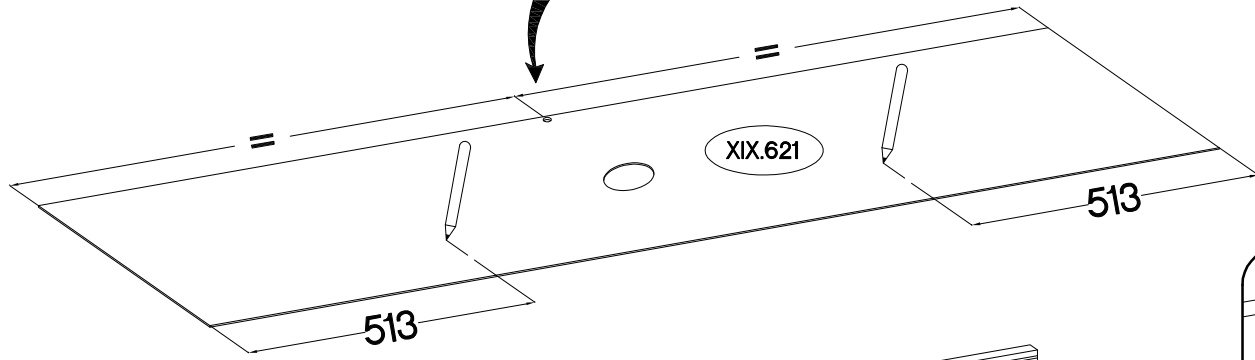
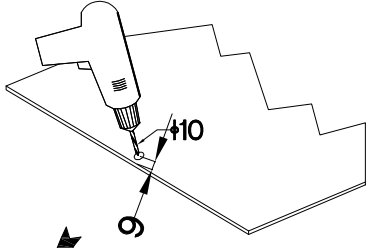
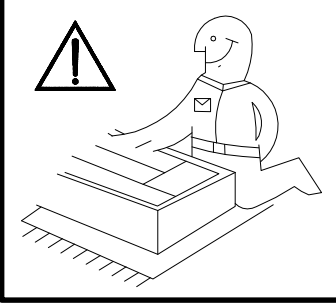


# 3





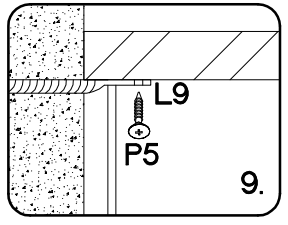
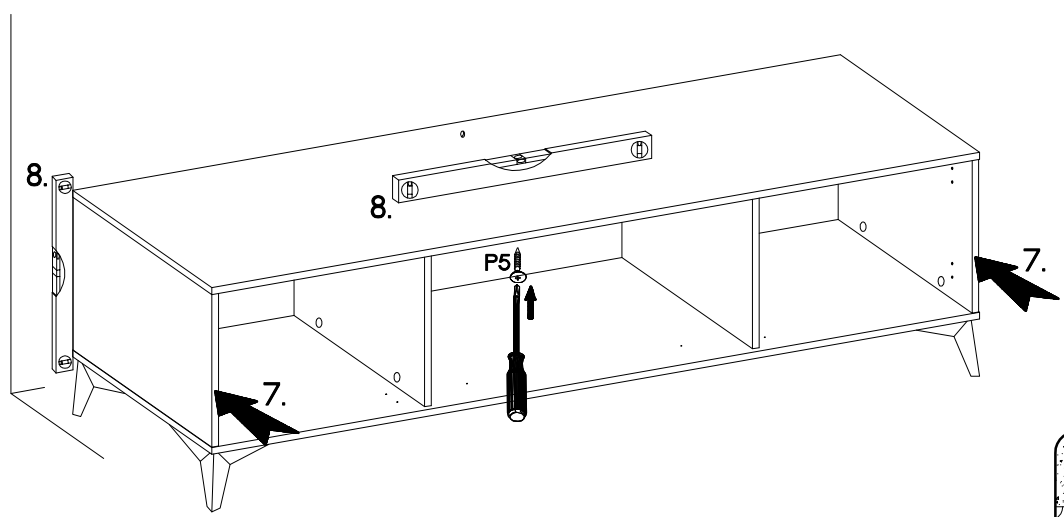
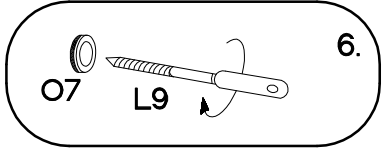
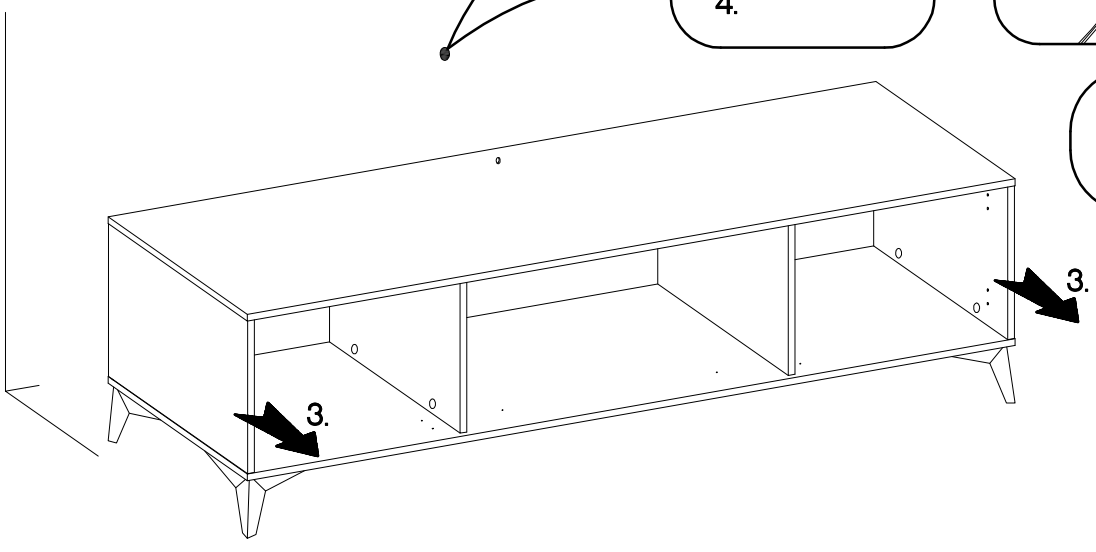
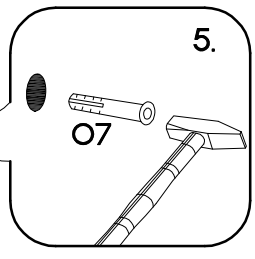
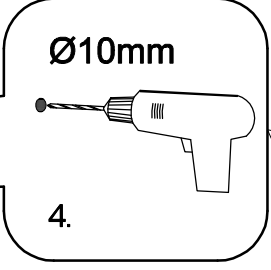
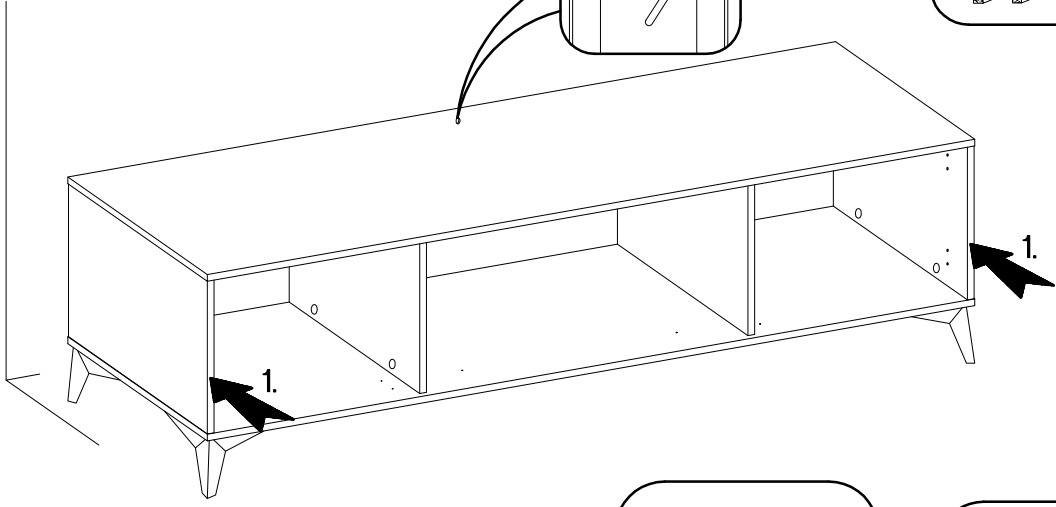
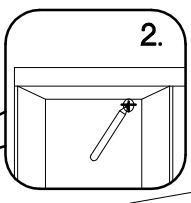
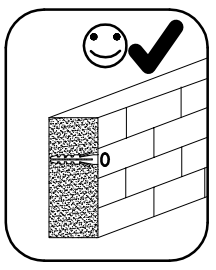
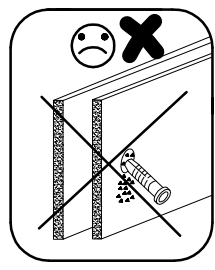
4

†3.0x20mm  <b>P7</b> <b>6</b>	 <b>L</b> <b>12</b>
--	---

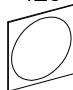



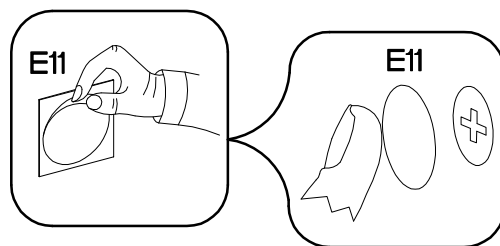
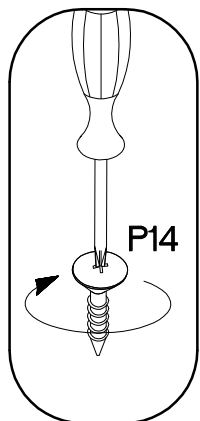
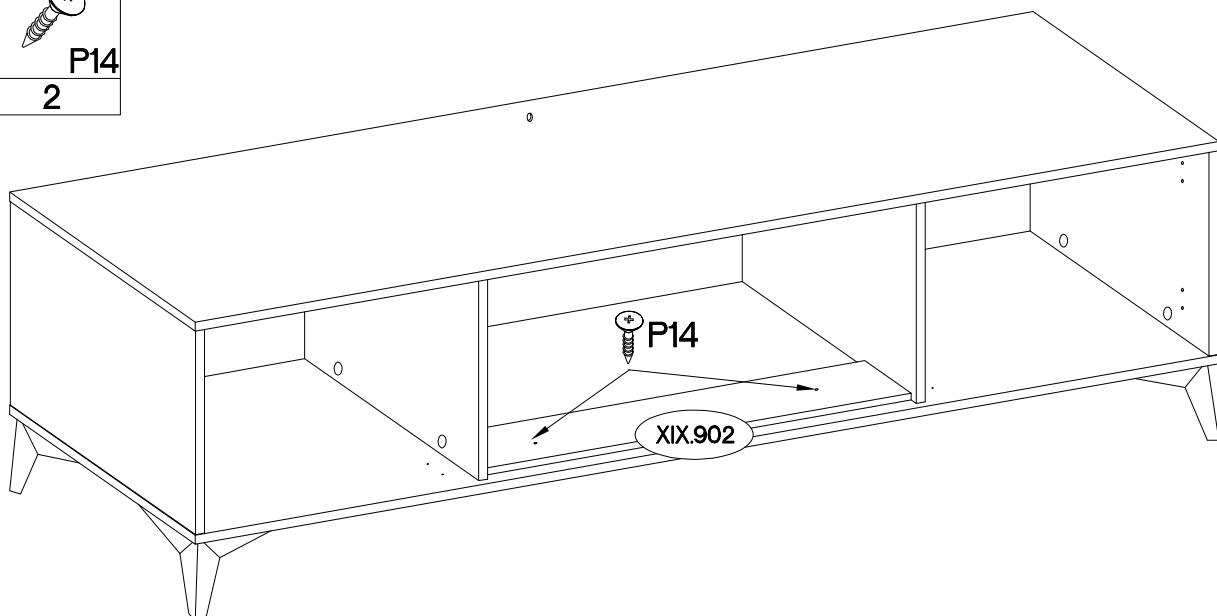
# 5

$\varnothing 10 \times 50 \text{mm}$ 	$\varnothing 3.5 \times 13 \text{mm}$ 	
O7	L9	P5
1	1	1

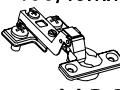

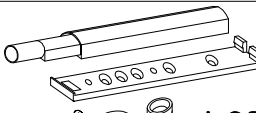


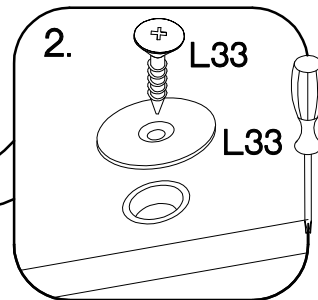
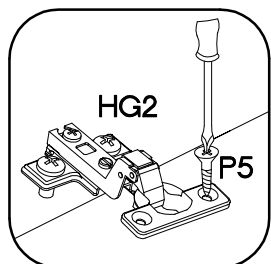
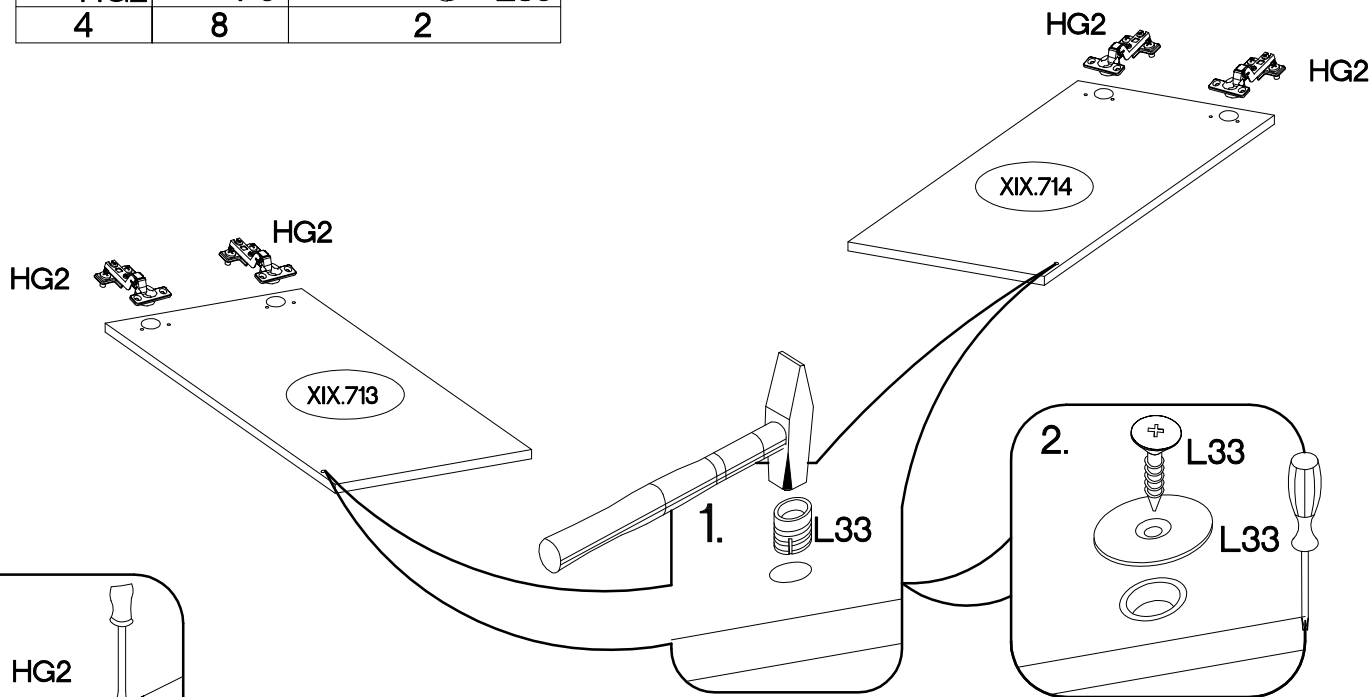
6

$\pm 20$ 	$\pm 4.0 \times 25 \text{mm}$ 
E11	P14
16	2

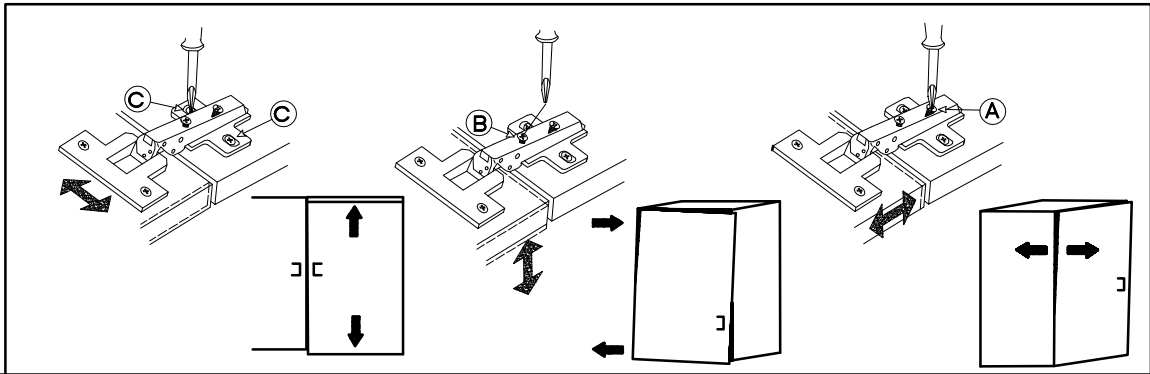
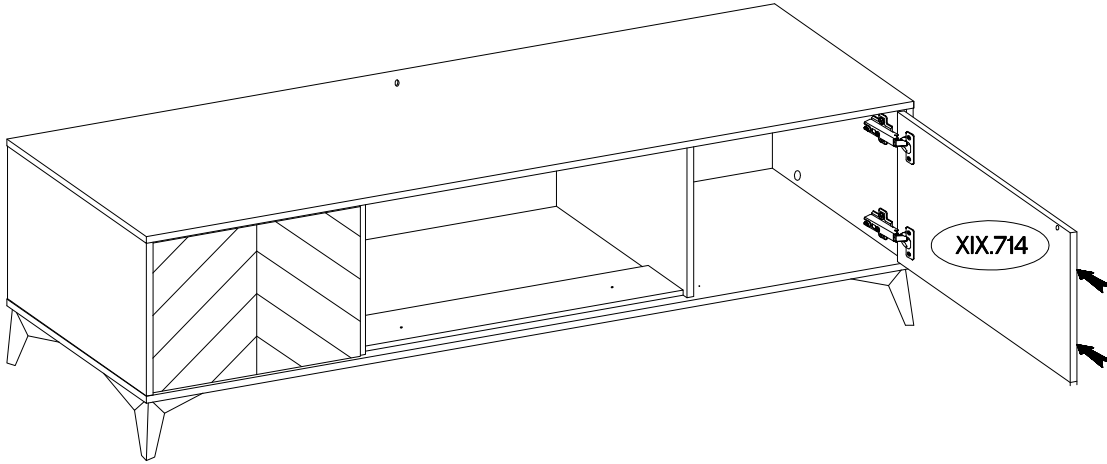
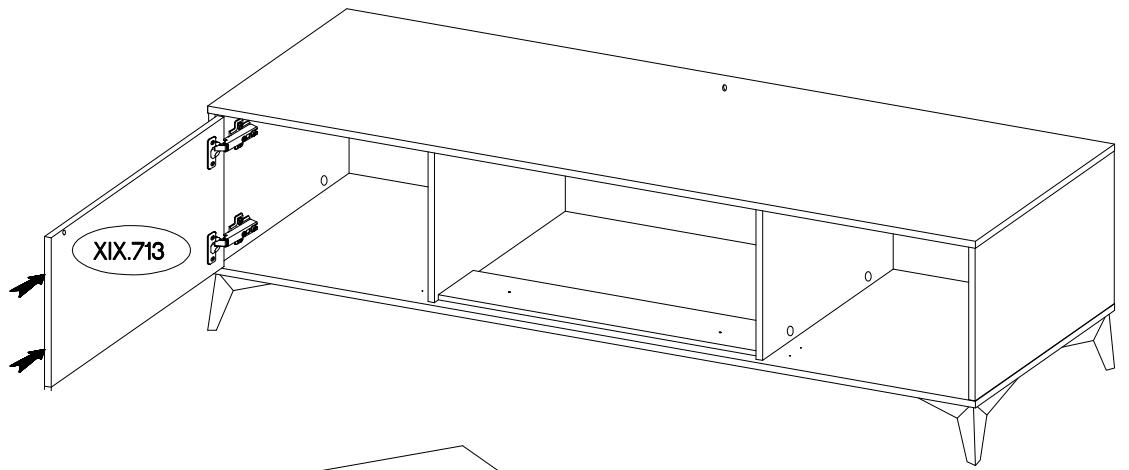
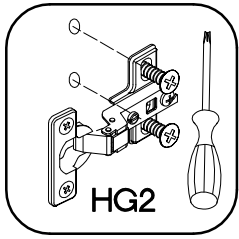


7

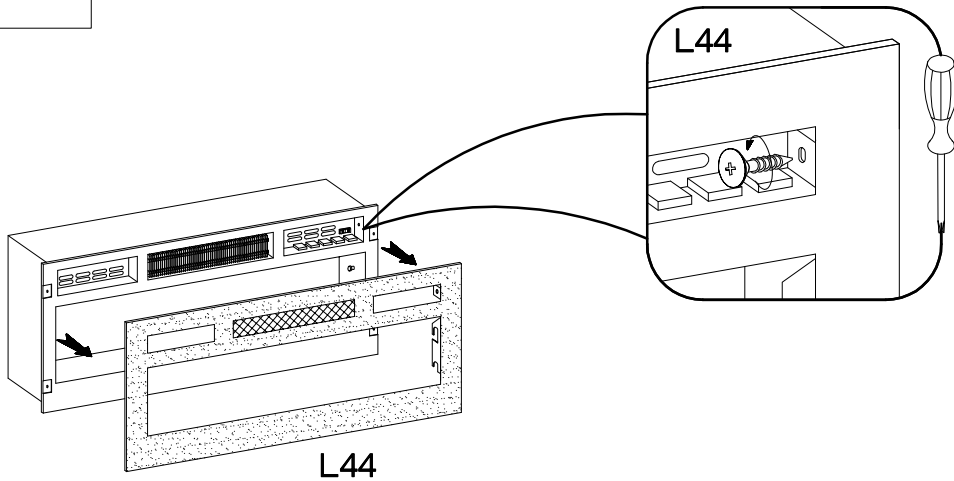
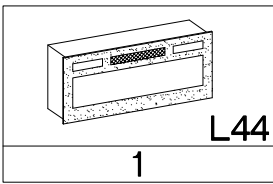
$\pm 35 / 16 \text{mm}$ 	$\pm 3.5 \times 13 \text{mm}$ 	
HG2	P5	L33
4	8	2



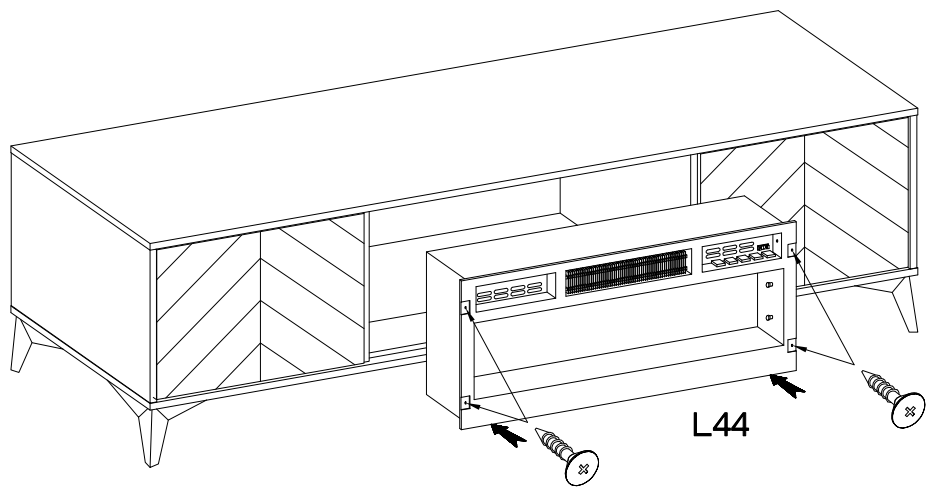
8



9



10



11

