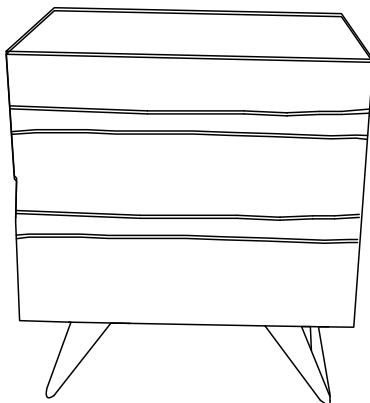
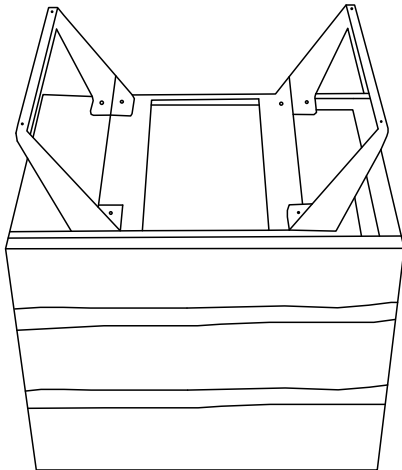
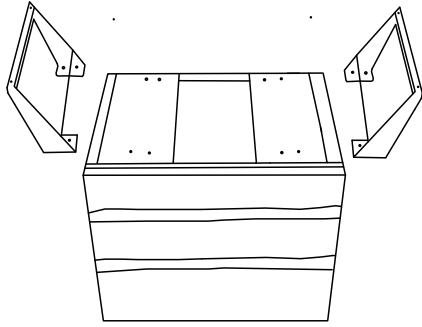


3 DRAWER CHEST ASSEMBLY INSTRUCTIONS



A. Top x1

B. Legs x2

C. Allen Headed Bolts



X8

D. Washers



X8

E. Allen Keyx1



Thank you for purchasing this quality product. This product has been designed for easy assembly and constructed for durability.

Please take the time to read and follow the assembly instructions carefully.

Assembly instructions

1. Ensure that all parts are present using the parts list above
2. Invert the table top (A) ensuring that it will not get scratched or marked.
3. Note the letter label on each leg (B), then place then leg in the corresponding letteredcornerof the top (A) as shown in the diagram above.
4. Align the pre drilled holes in the leg (B) with the pre drilled holes in the top (A).
5. Insert the Allen bolts (C) from the inside through the holes in the corners of the top (A) first placing a washer (D) over the thread and then hand tightening the bolt into the leg (B). Tighten the bolt with the Allen Key (E) provided. Continue to tighten until the leg (B) is held firm but do not over tighten.

Care and Use

Clean with a non-abrasive cleaner and soft damp cloth.
Do not allow the table to get wet.
Do not drag the table to move it.

Ensure that all Bolts are tightened before use. Check and tighten all Bolts periodically throughout use of the product