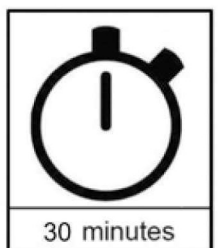
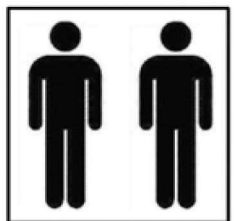
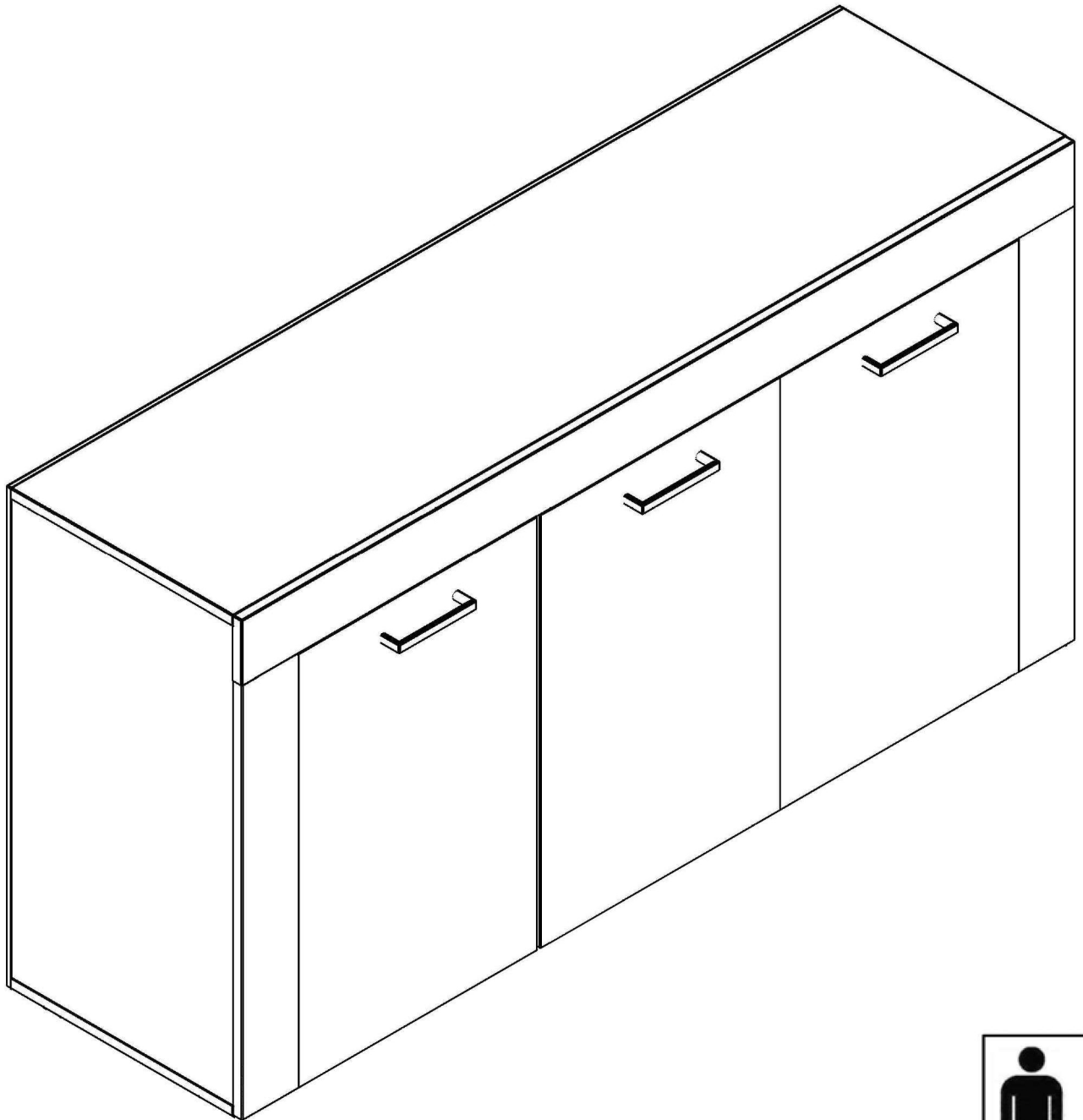
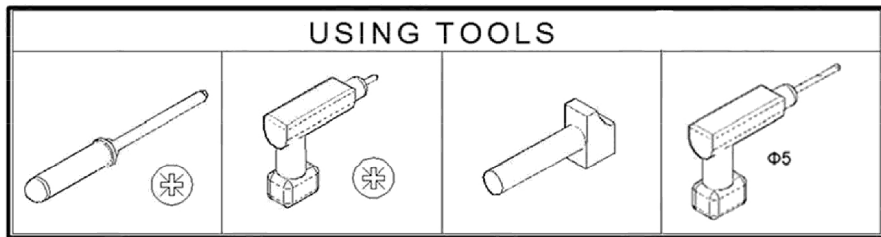
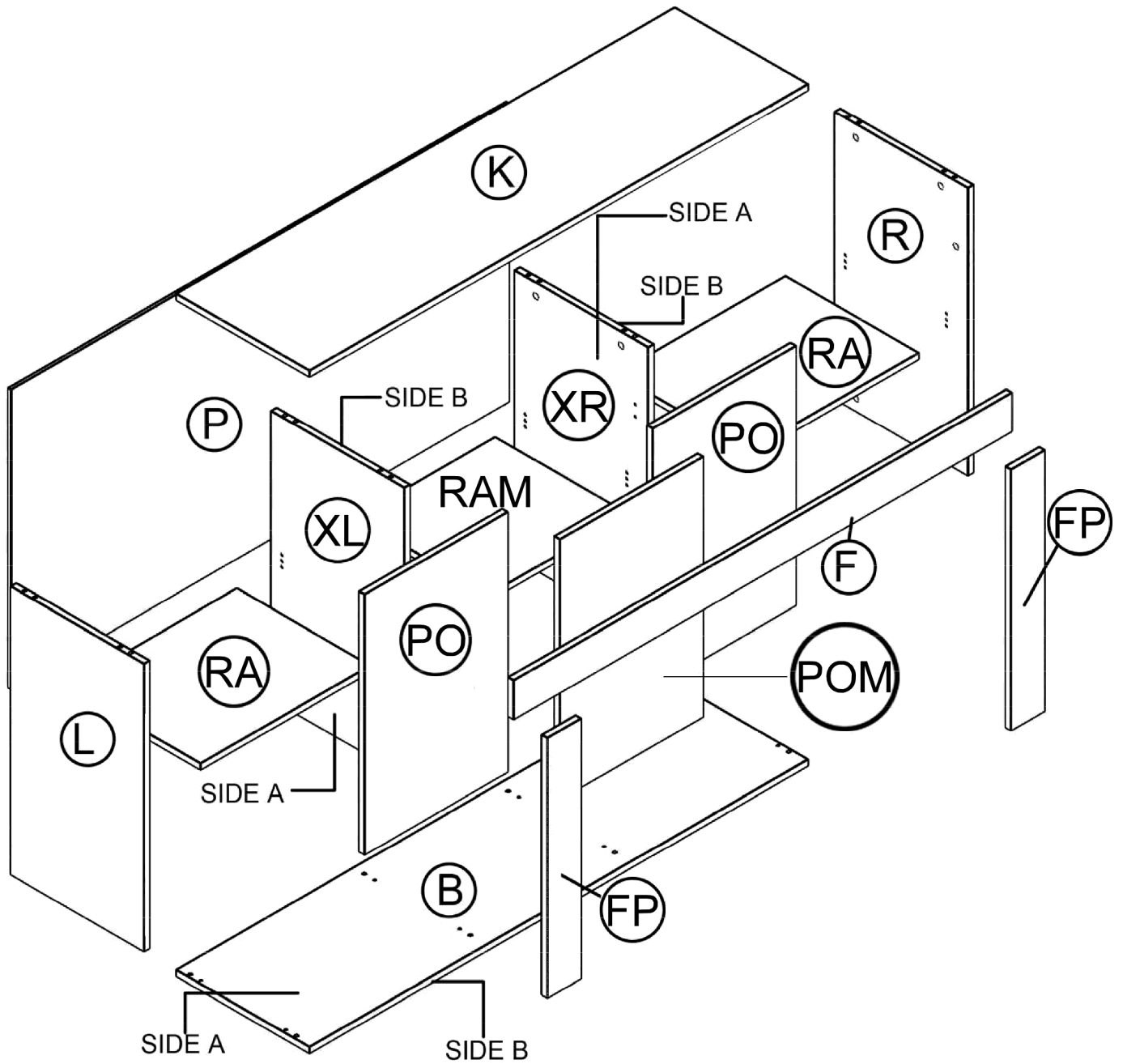





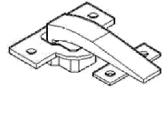
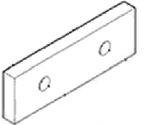
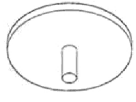
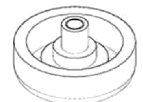


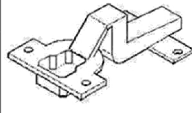
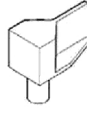
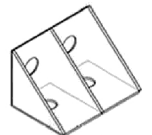


GRK1001

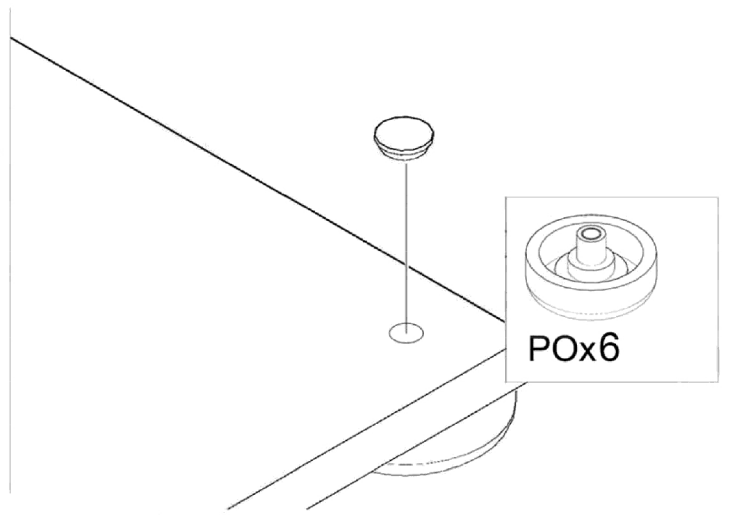
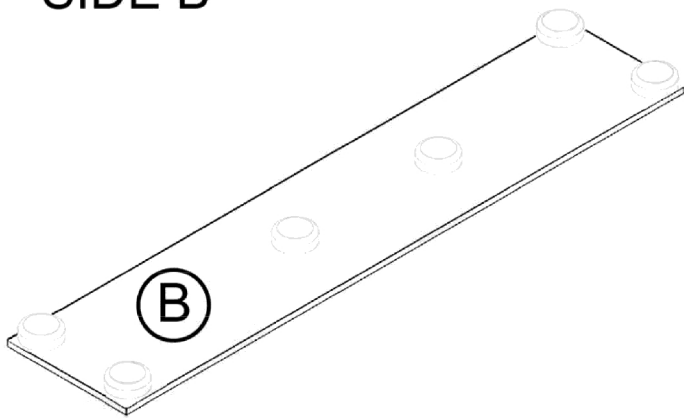




 P x 16	 K x 16	 F x 16	 PO x 3	 4.0x3.5 B2 x 6	 M2 x 4	 BAP x 2
 TP x 16	 PO x 6	 K2 x 40	 3.5x16 16 mm B3 x 64	 M x 2	 Tx12	 GP x 9

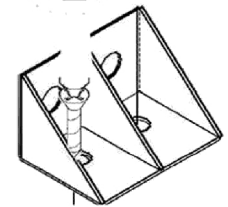
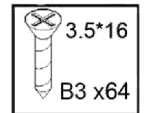
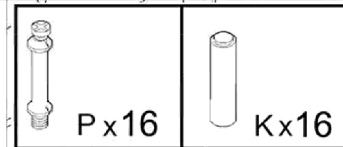
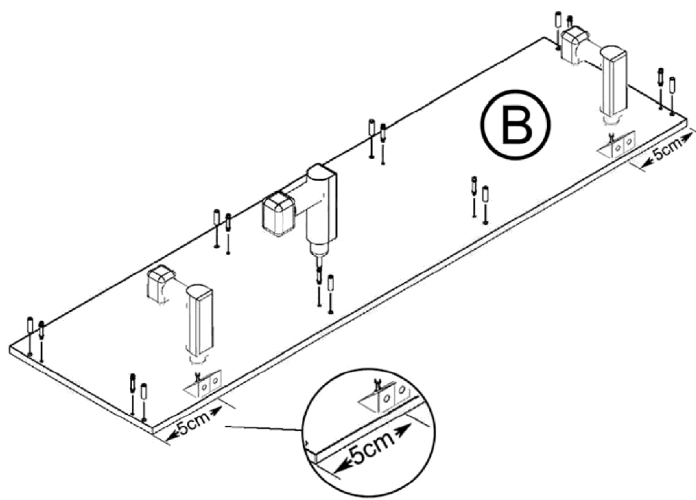
1

SIDE B

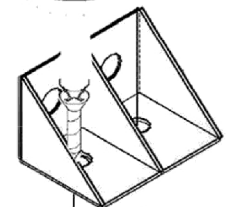
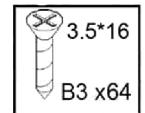
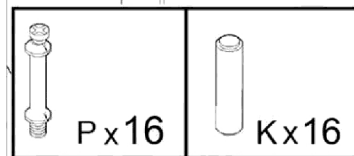
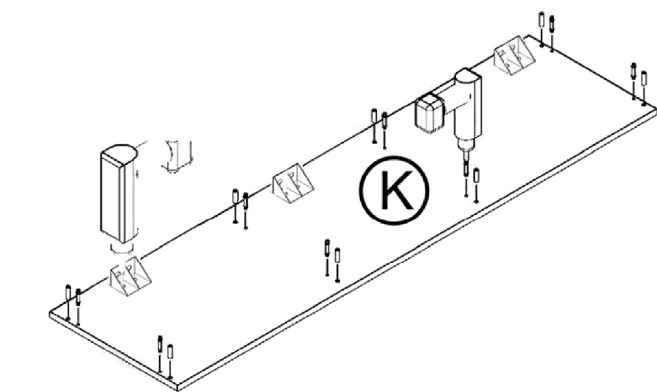


2

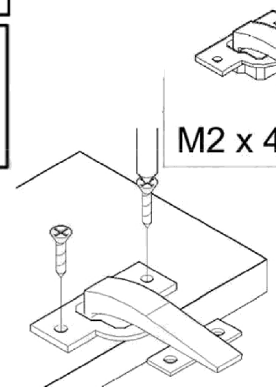
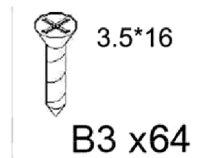
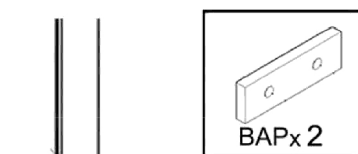
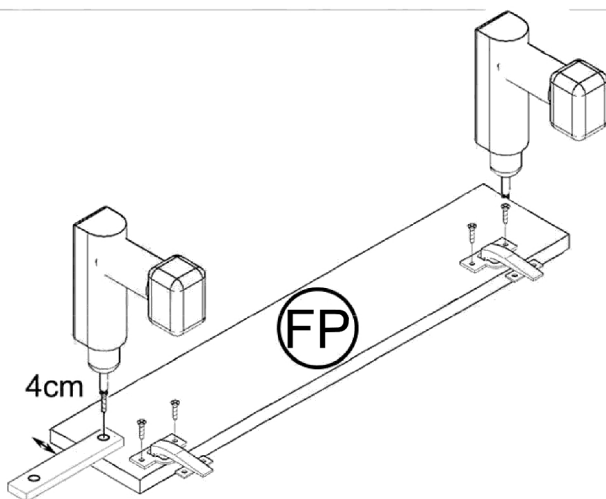
SIDE A



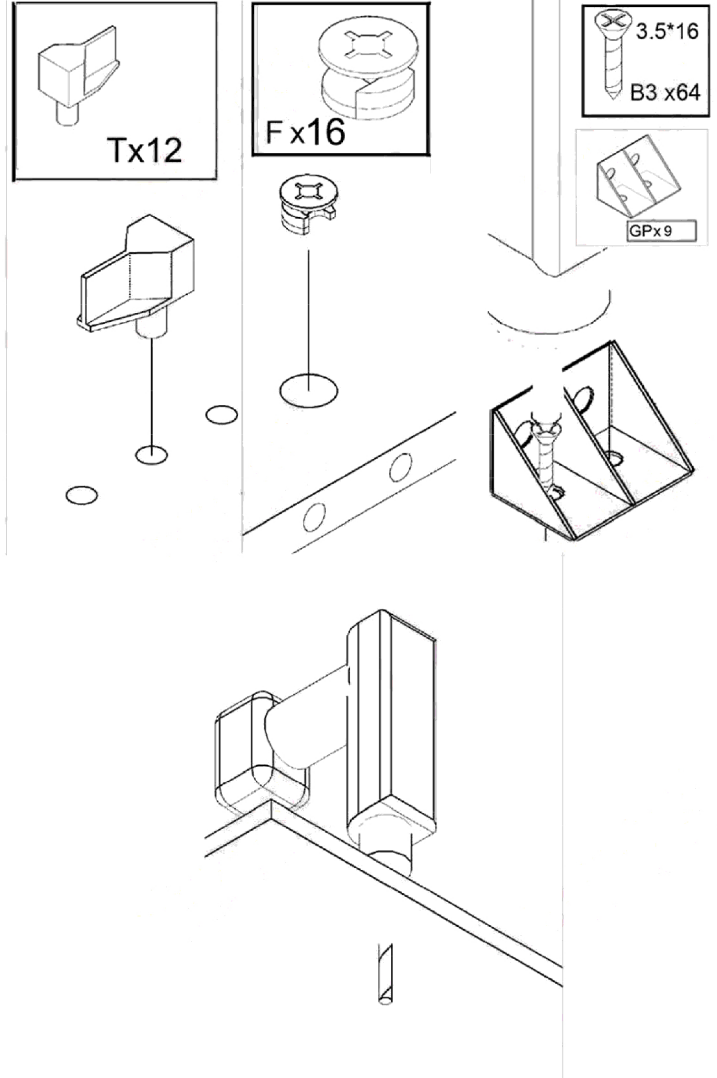
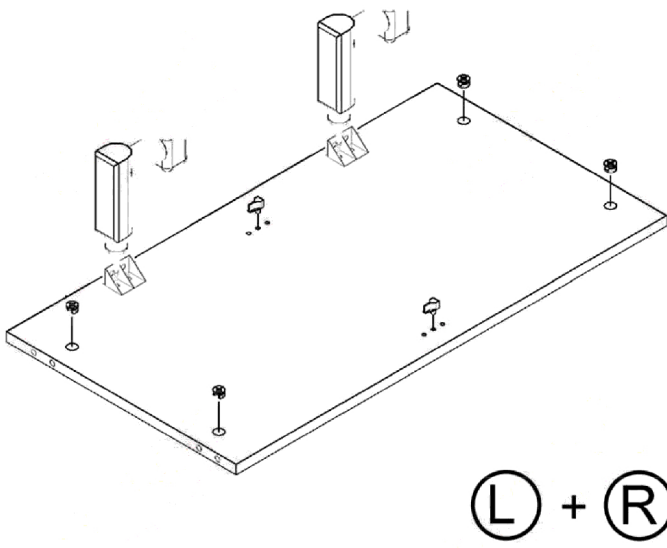
3



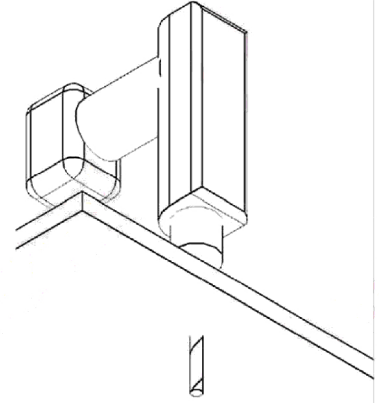
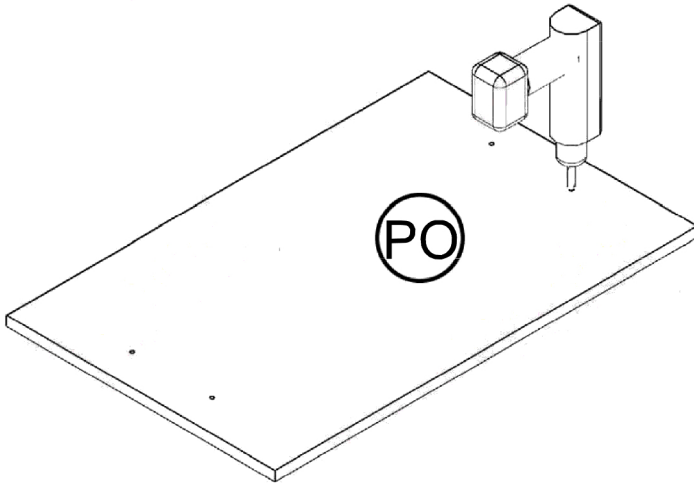
4



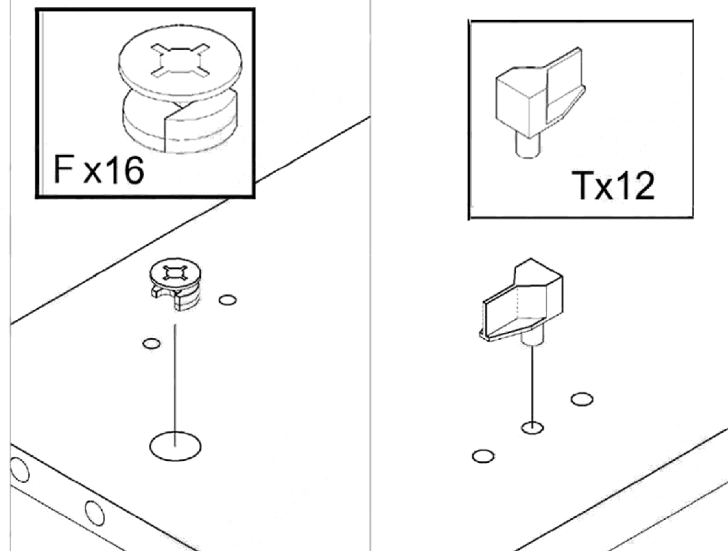
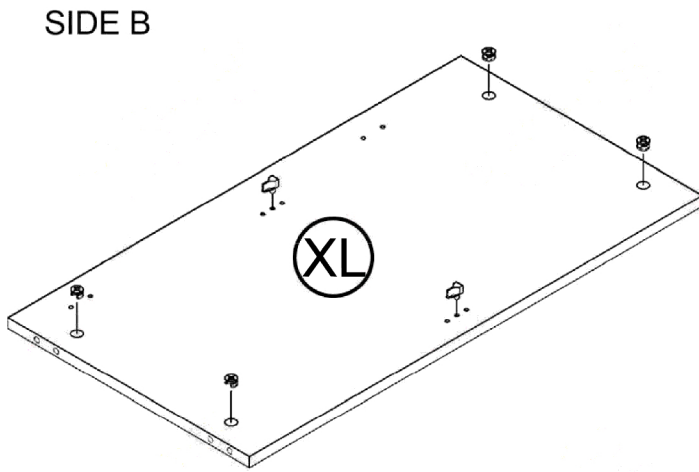
5



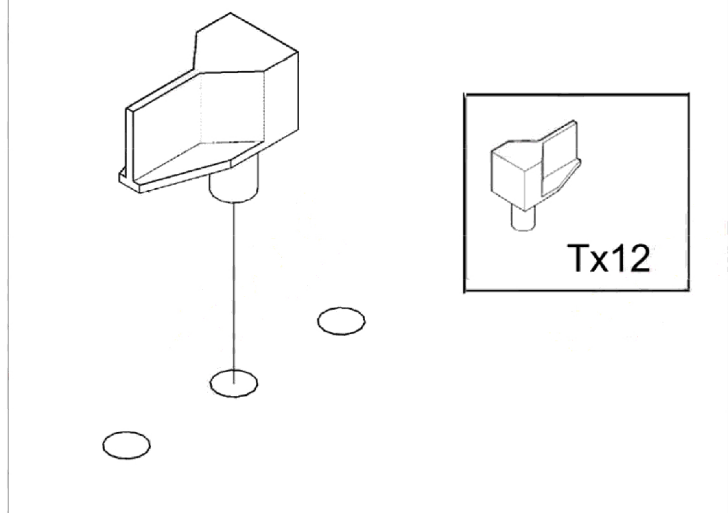
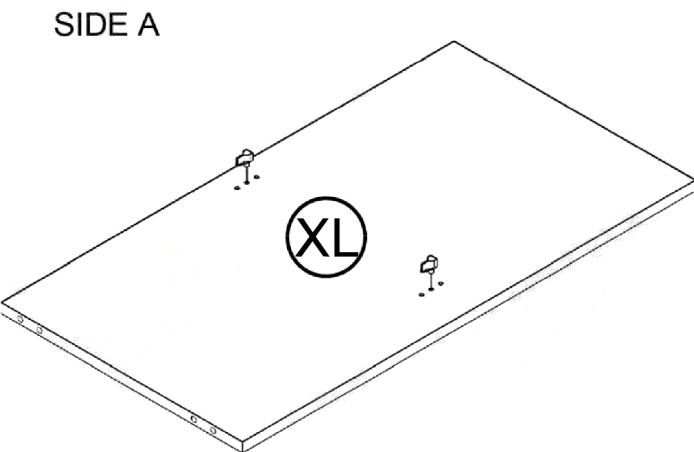
6



7

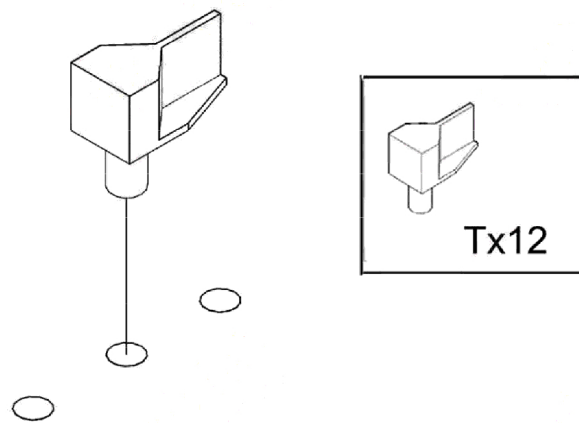
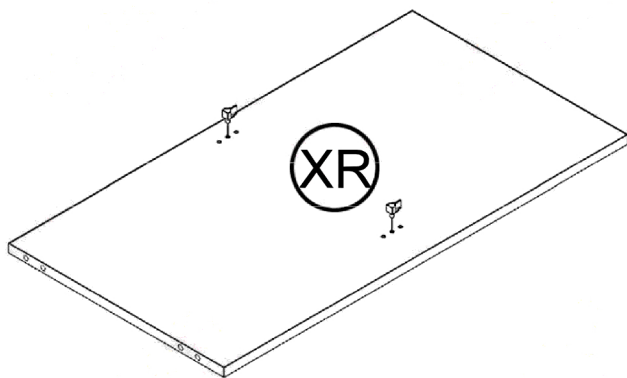


8



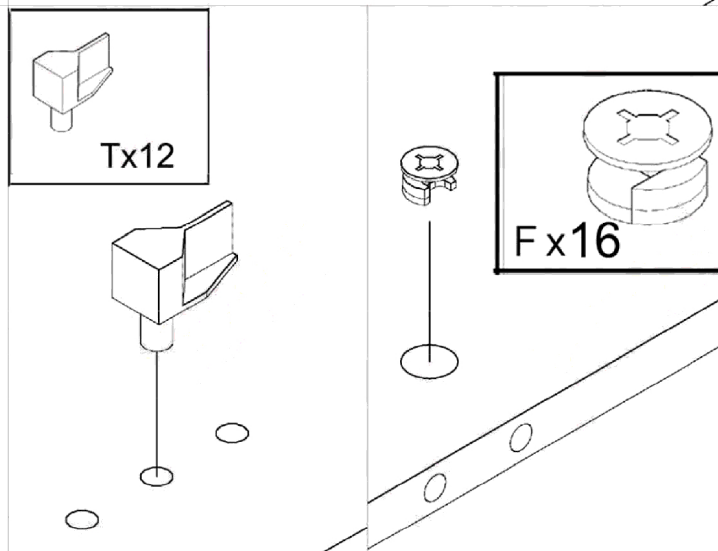
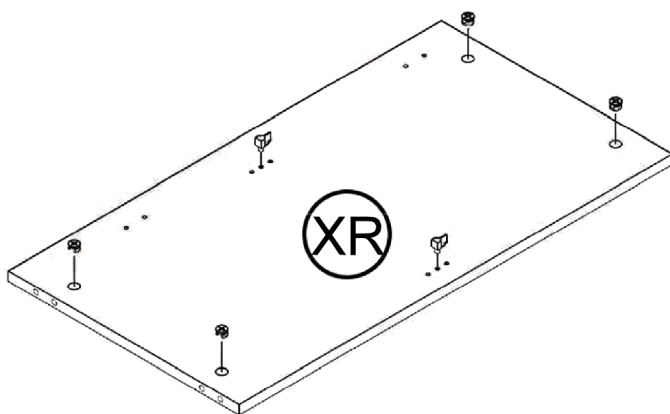
SIDE B

9

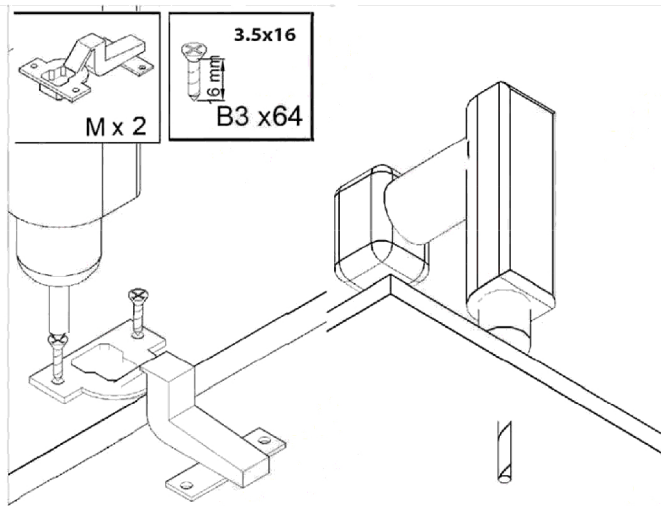
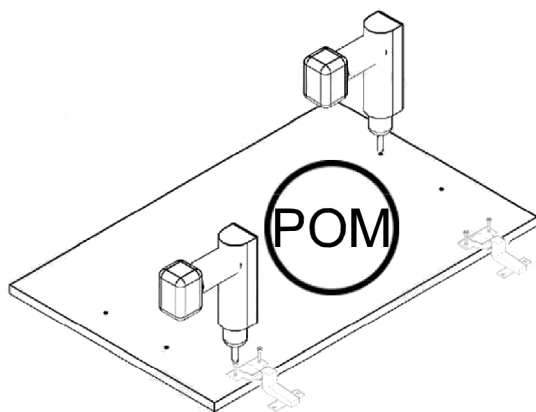


10

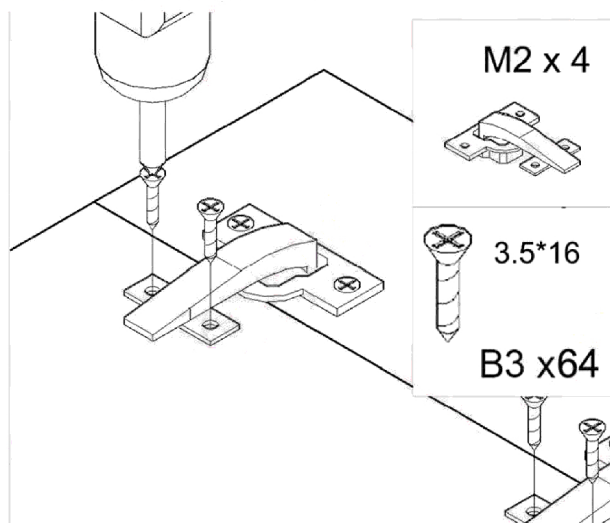
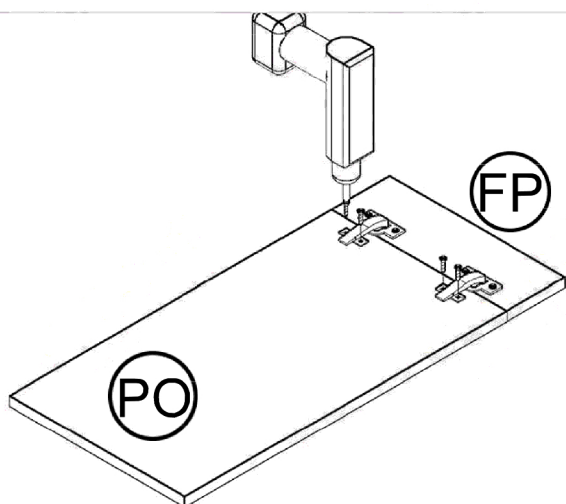
SIDE A



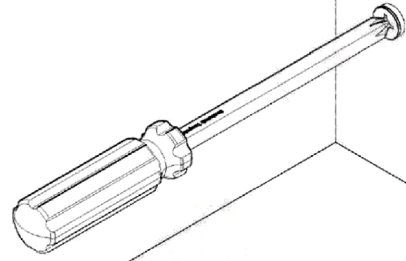
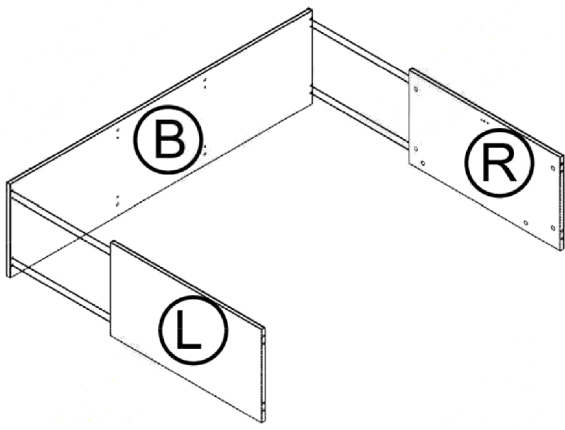
11



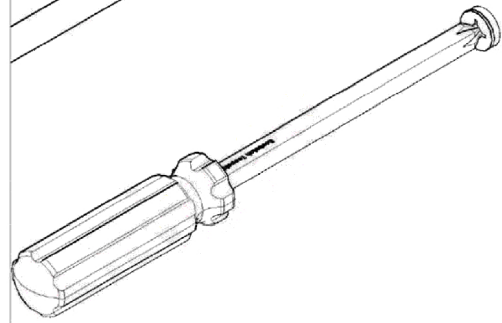
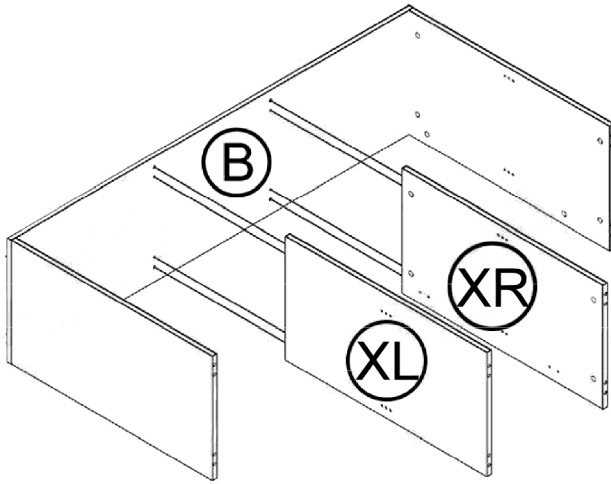
12



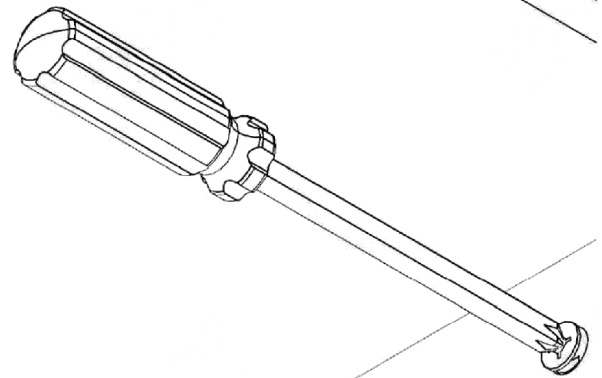
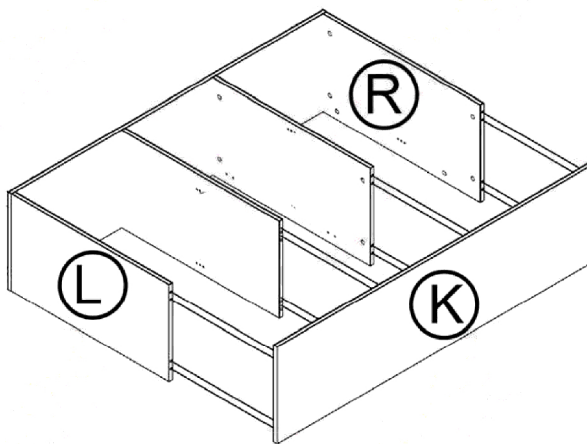
13



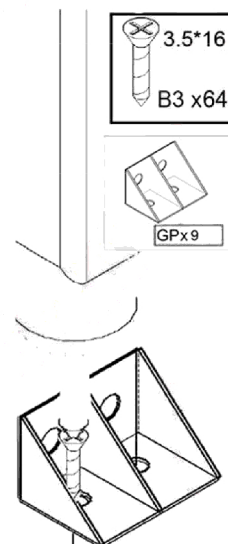
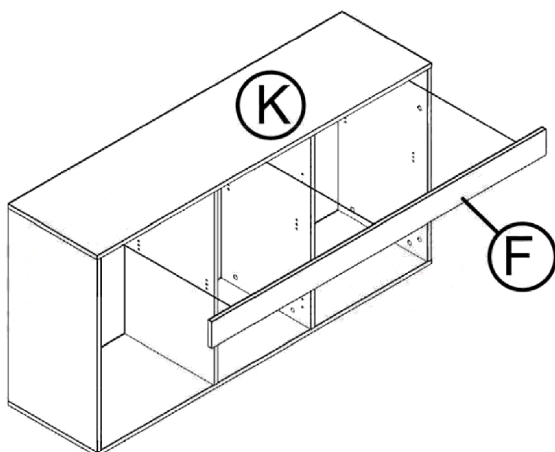
14



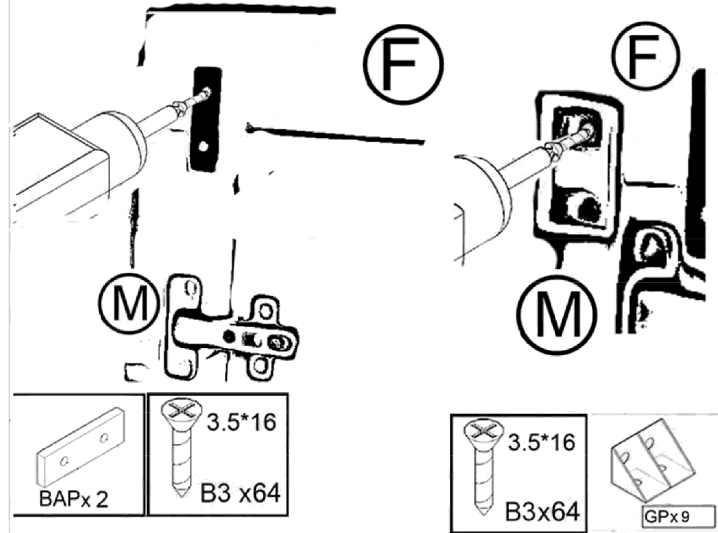
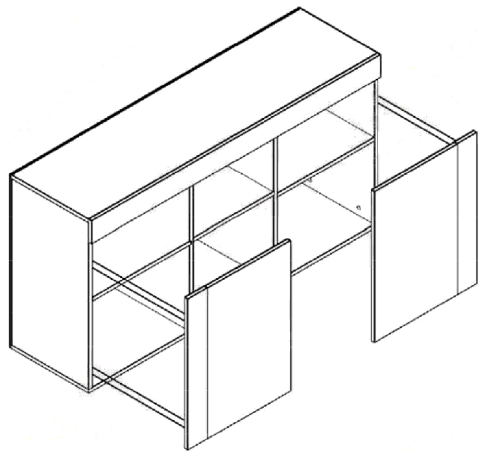
15



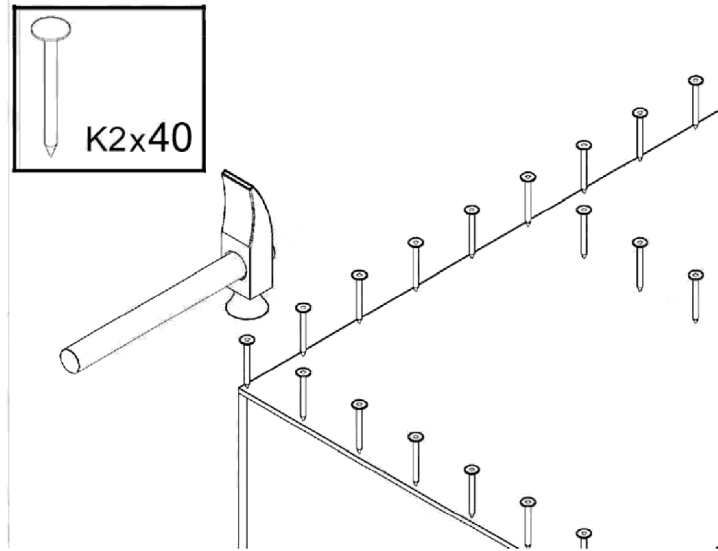
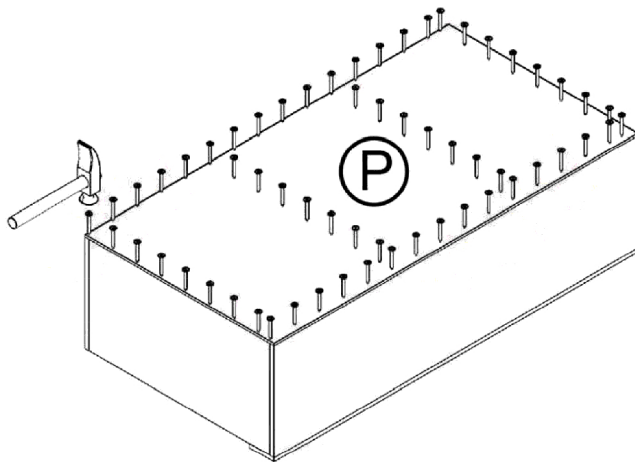
16



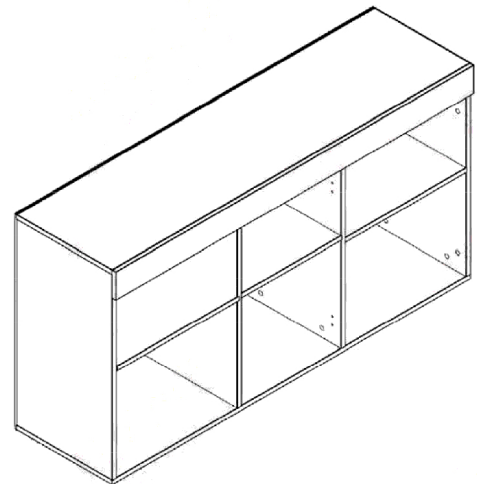
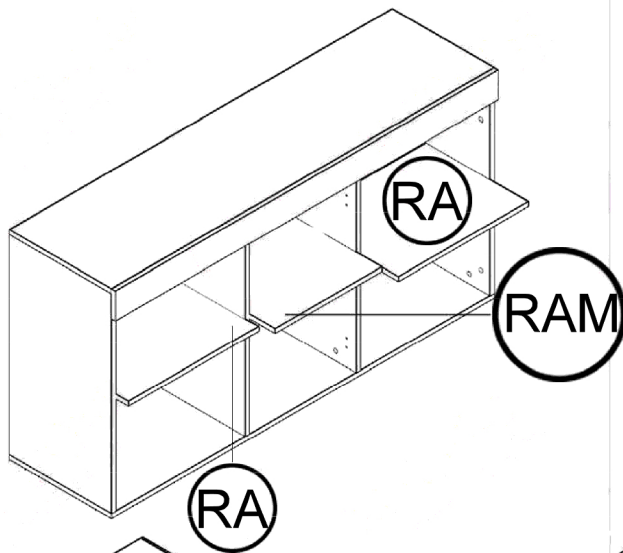
17



18

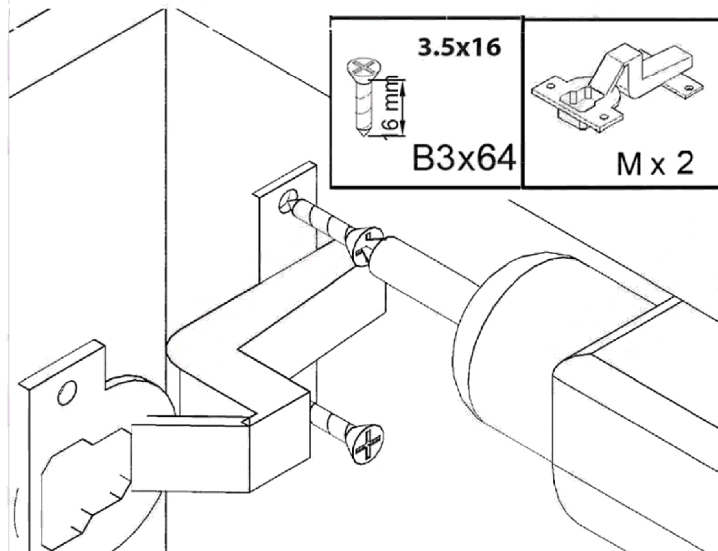
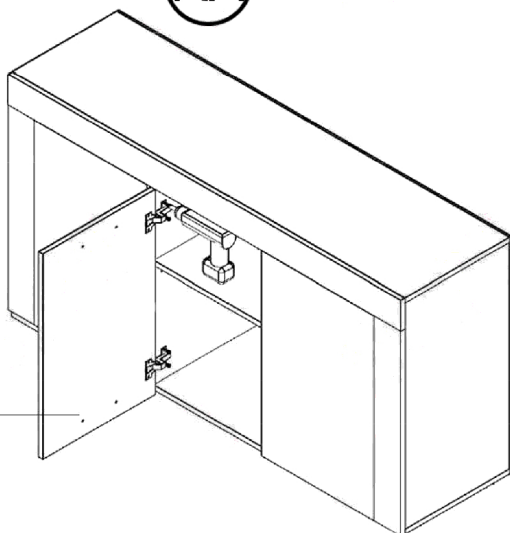


19

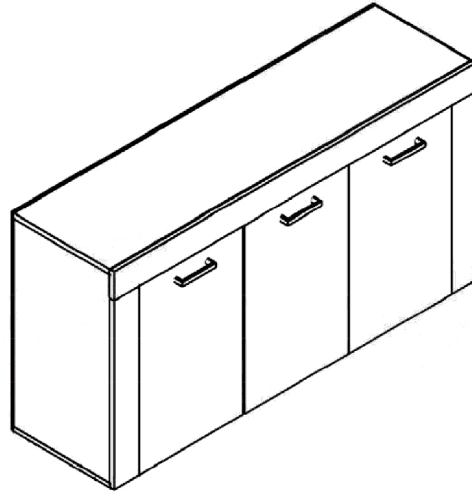
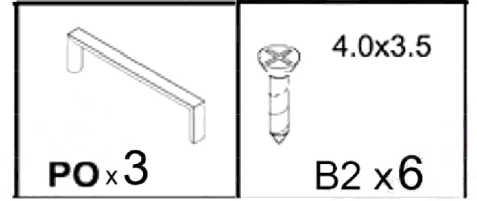
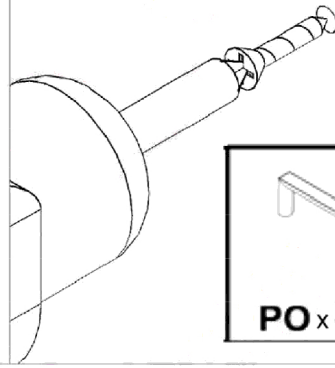
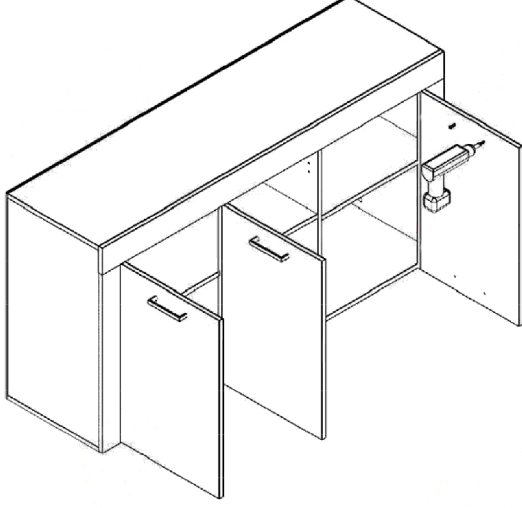


20

POM



21



PLASTIC COVER CAPS FOR SCREWS

