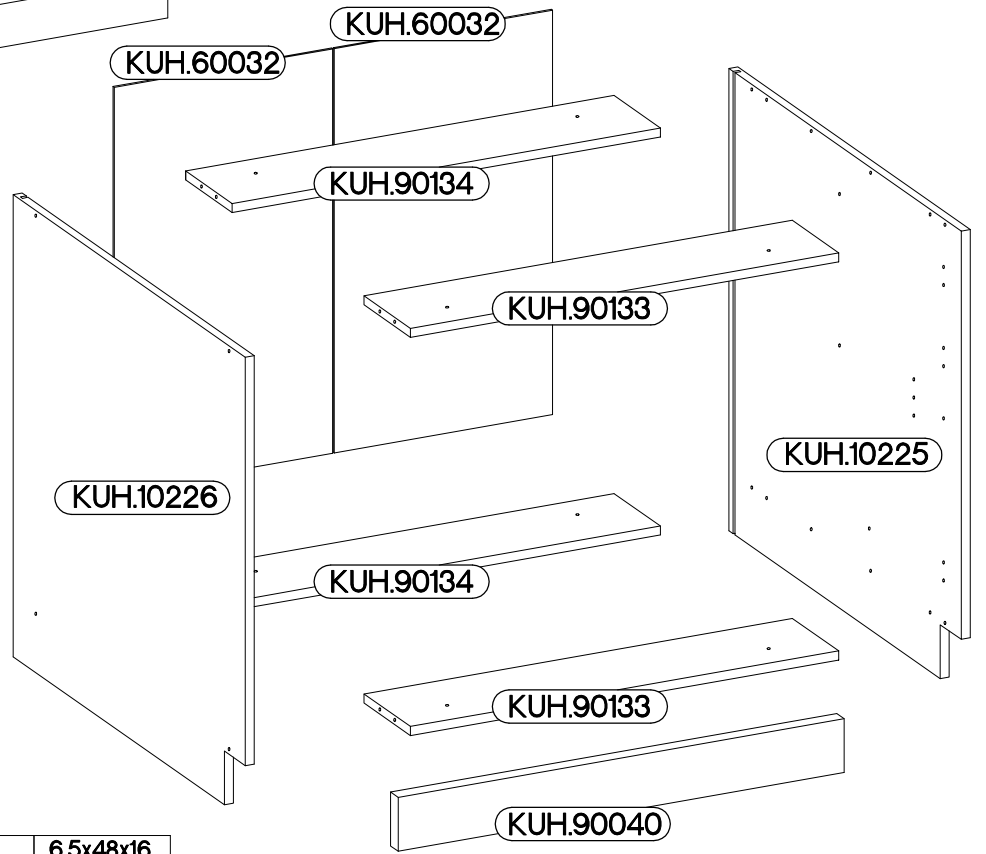
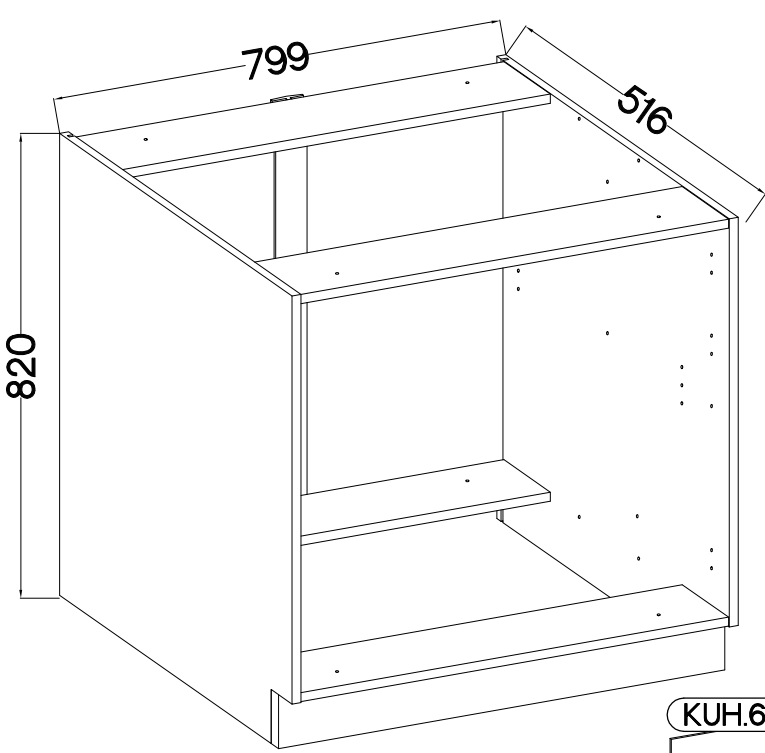
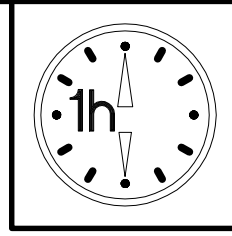
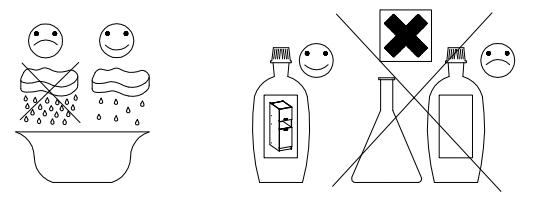
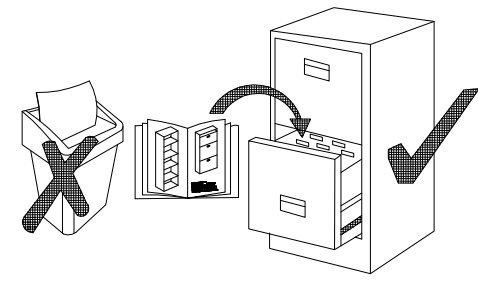


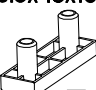
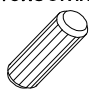
80 D 3S BB Premium Box

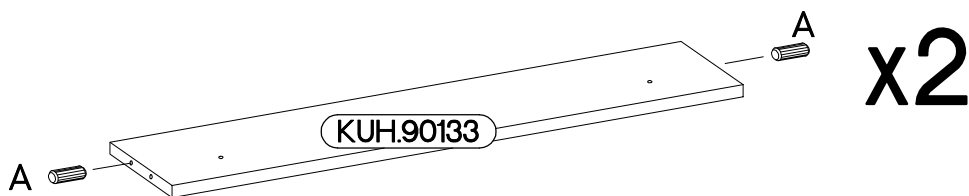
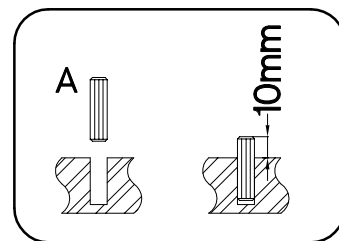
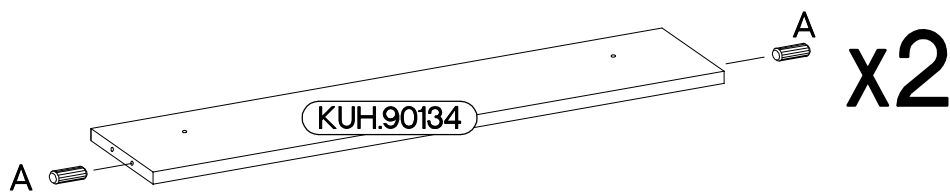
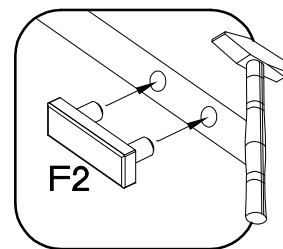
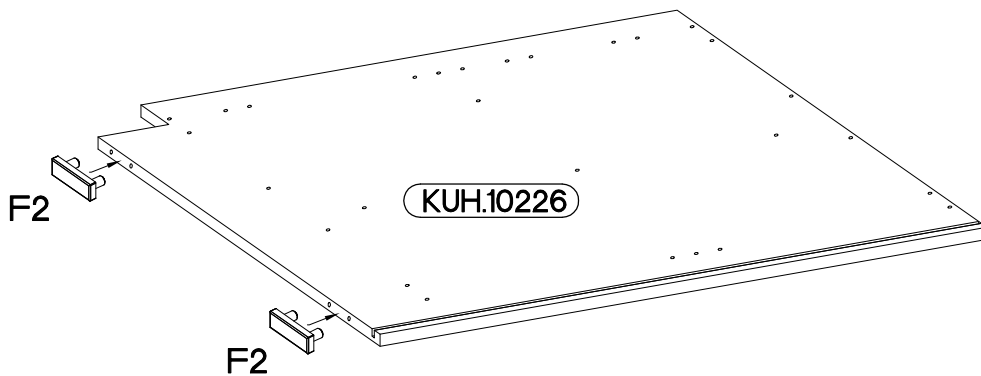
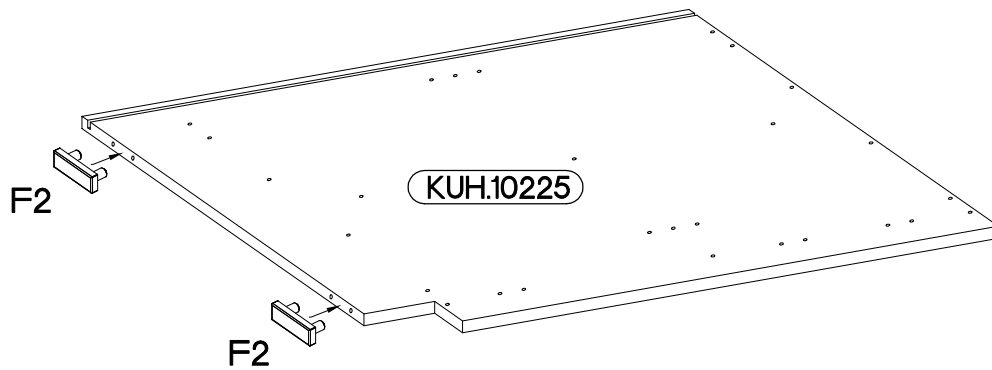
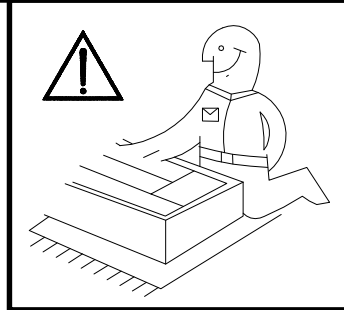


+8x30mm A	6,4 x 50mm B	 E1	 E9	6.5x48x16 F2
8	8	8	2	4
L1=680mm L1	 O	+4.0x45mm P4	+3.0x20mm P7	+4.0x35mm R3
1	1	2	10-15	4



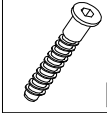
1

6.5x48x16  F2 4	+8x30mm  A 8
----------------------------------------------------------------------------------------------------------	-------------------------------------------------------------------------------------------------------



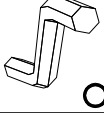
2

6,4 x 50mm



B

4



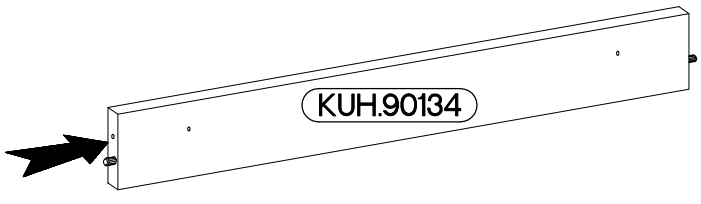
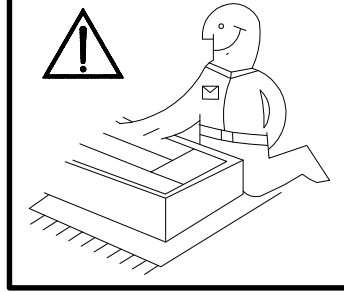
O

1

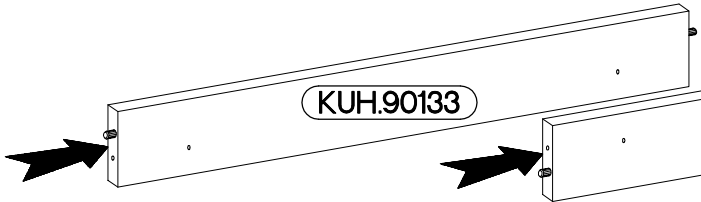


E1

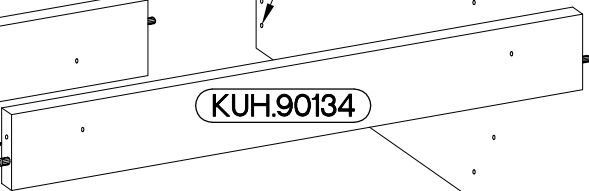
4



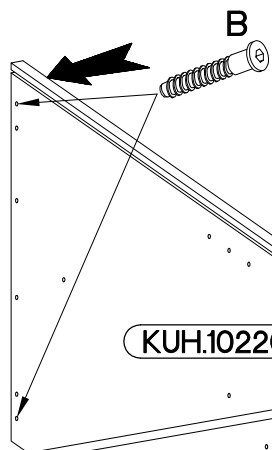
KUH.90134



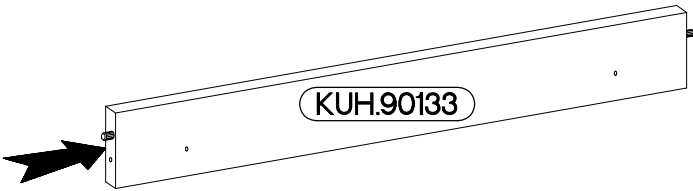
KUH.90133



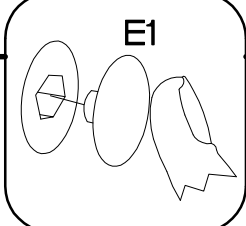
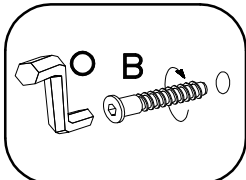
KUH.90134



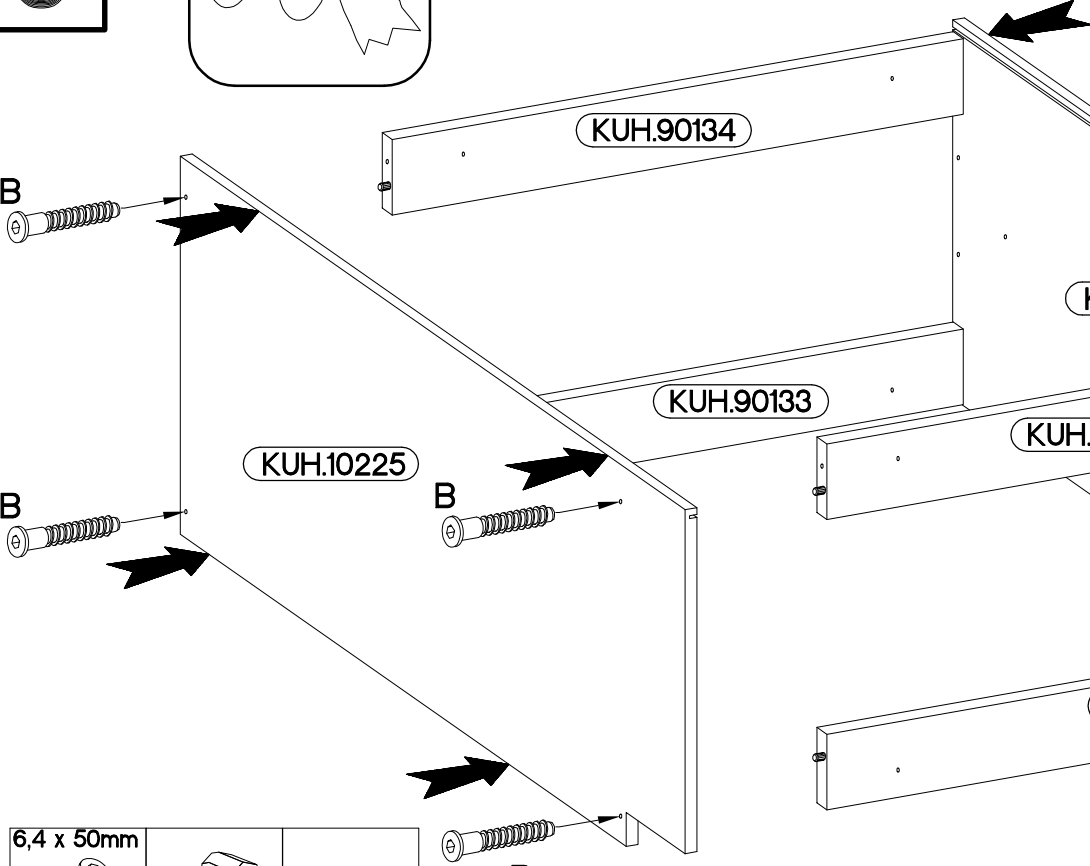
KUH.10226



KUH.90133



3



KUH.10225

KUH.90134

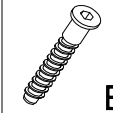
KUH.90133

KUH.10226

KUH.90134

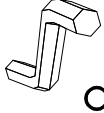
KUH.90133

6,4 x 50mm



B

4



O

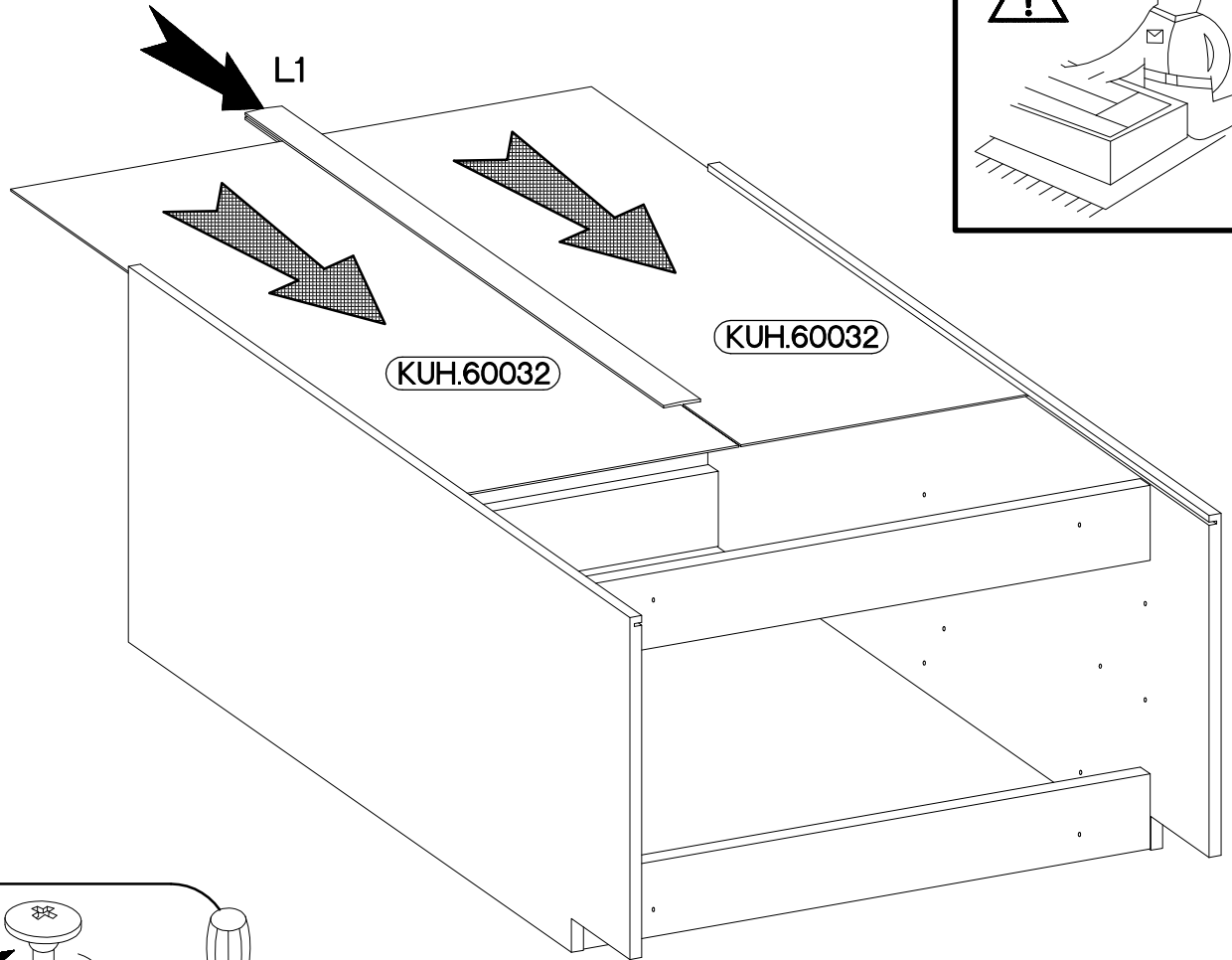
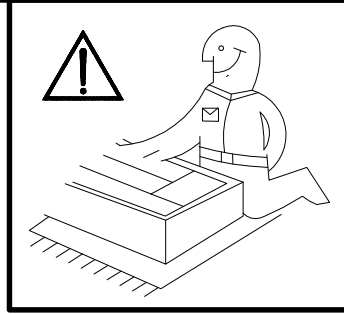
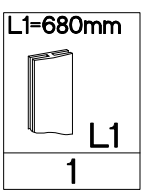
1



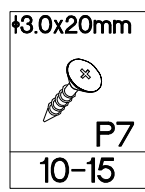
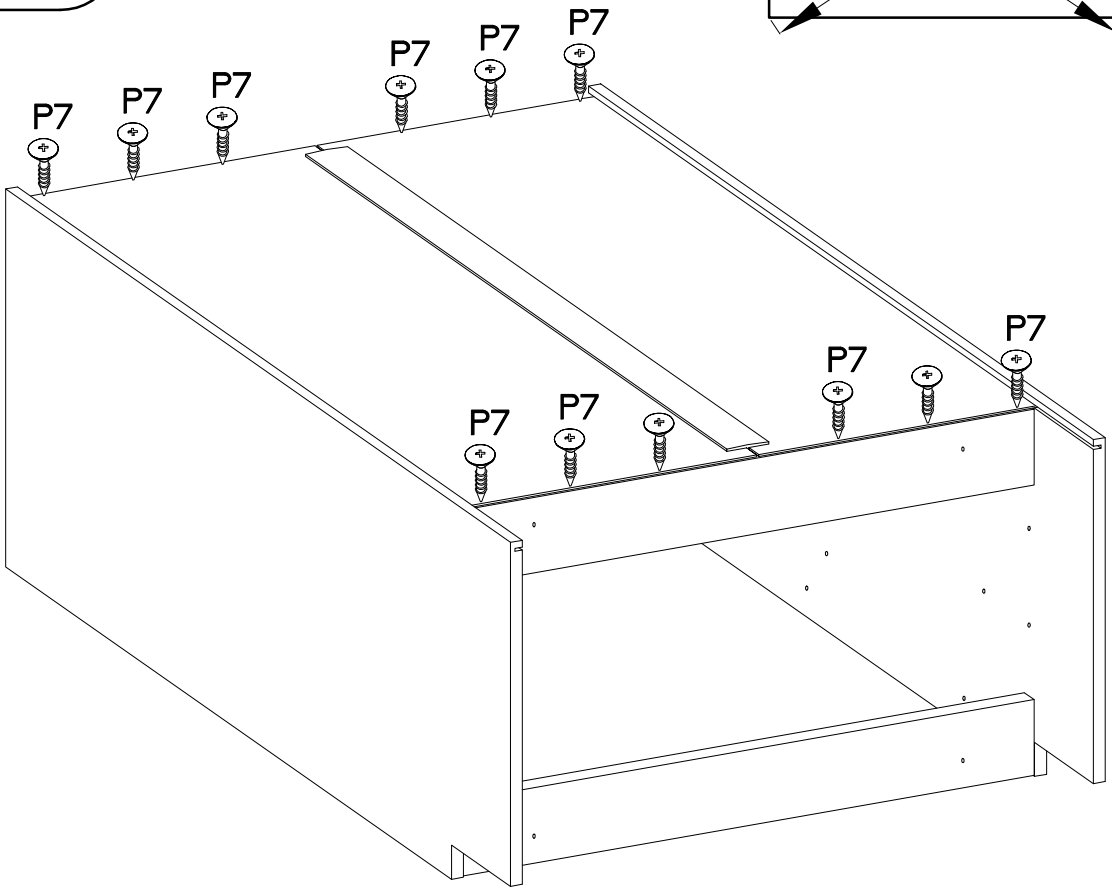
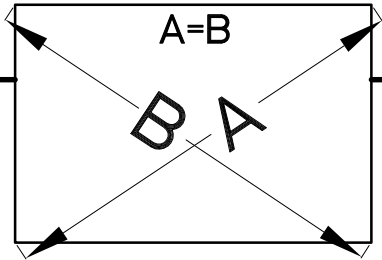
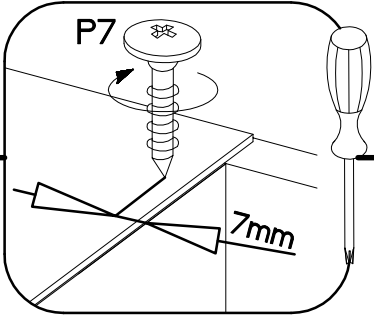
E1

4

4



5



6

4.0x45mm



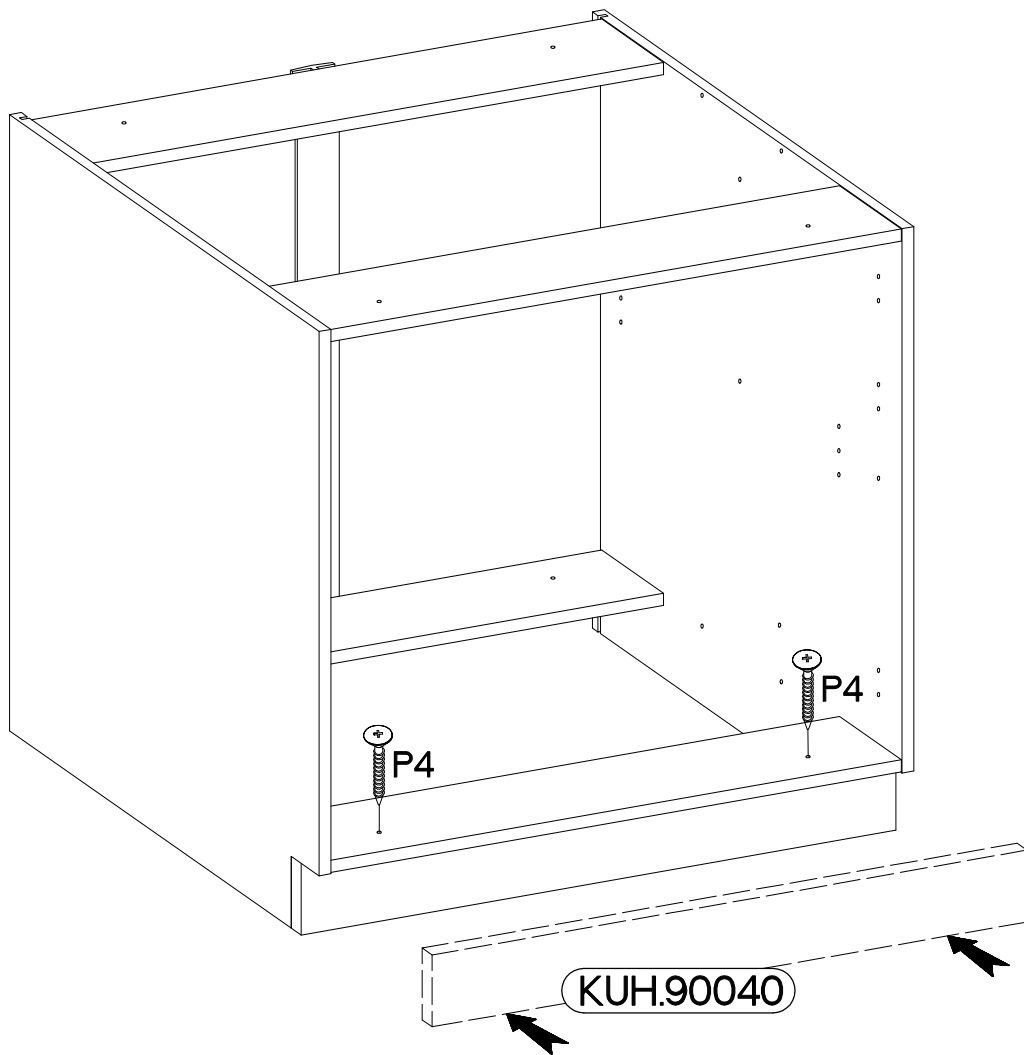
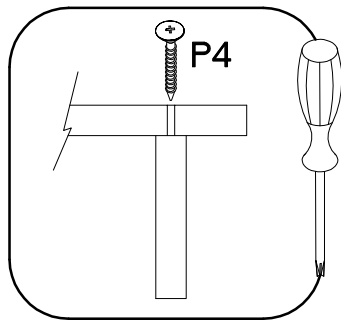
P4

2



E9

2



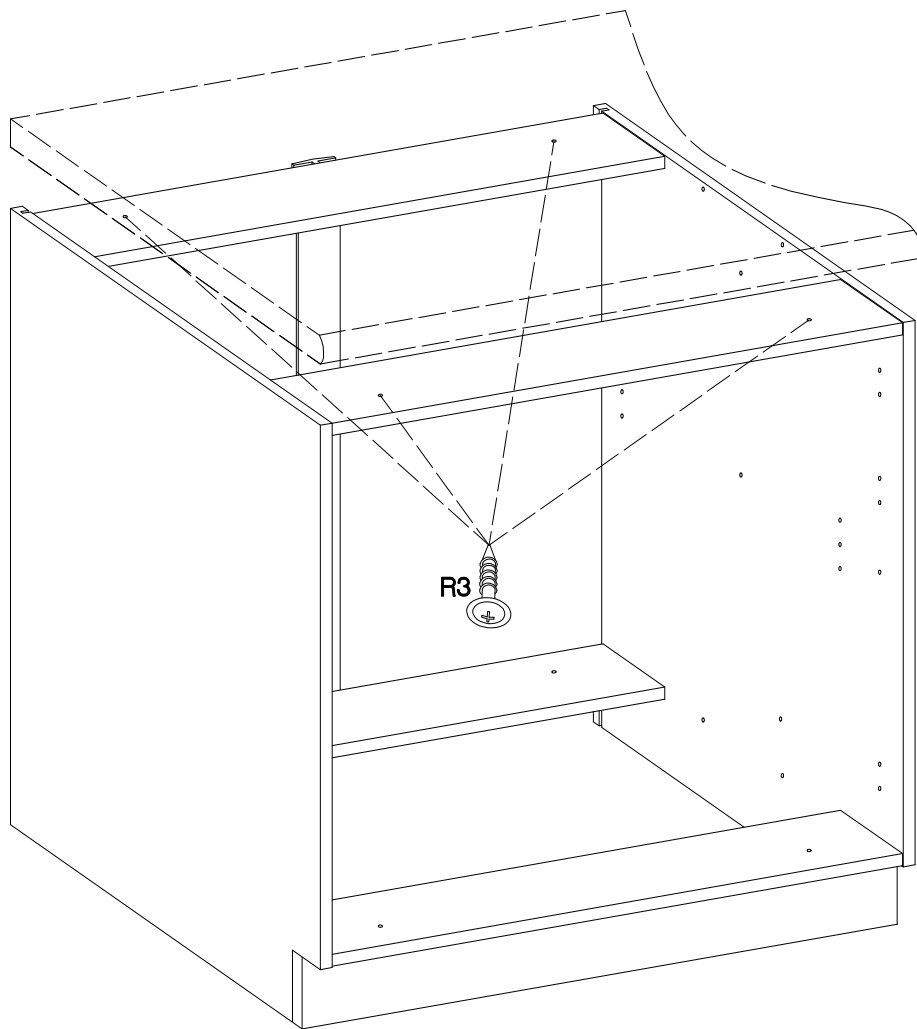
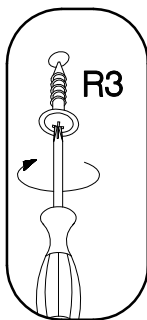
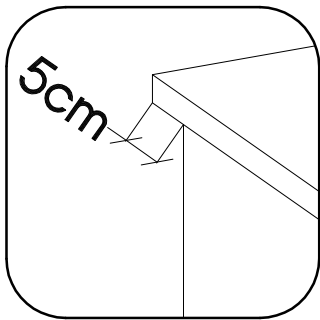
7

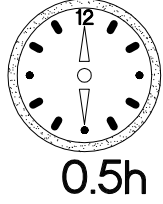
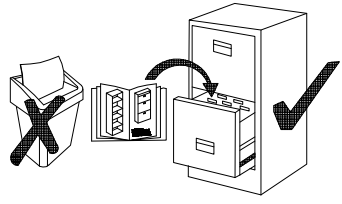
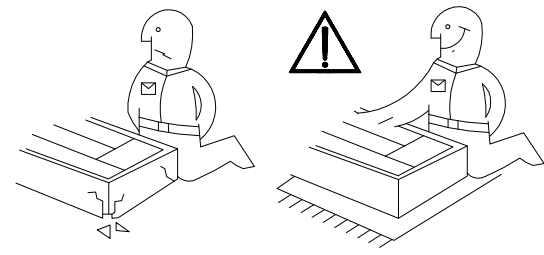
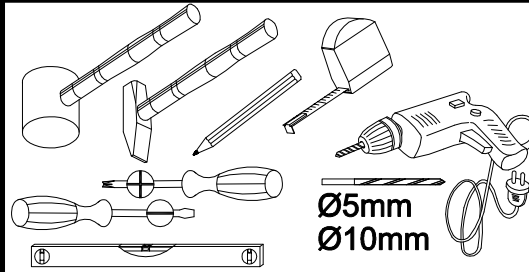
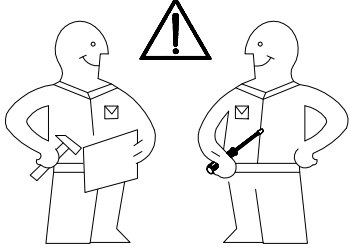
4.0x35mm



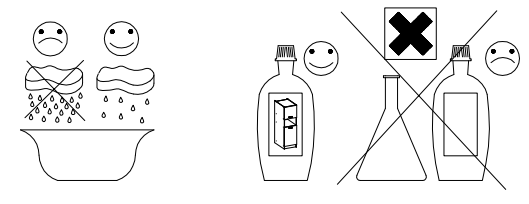
R3

4



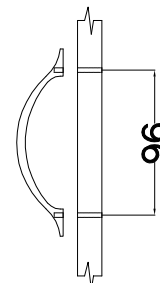
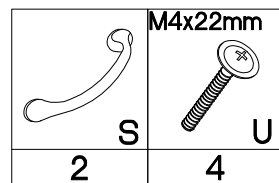
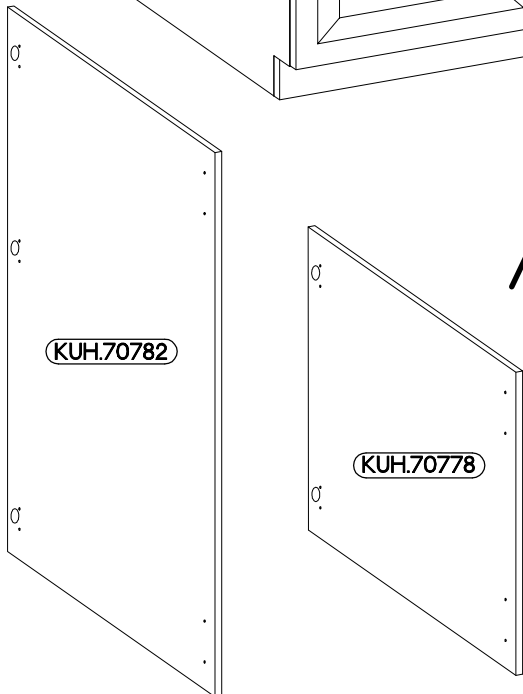
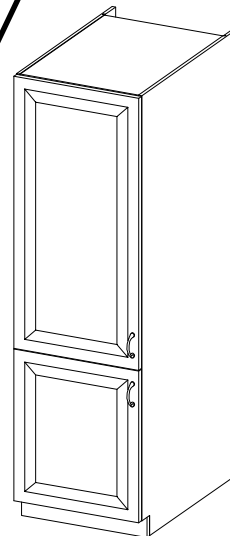
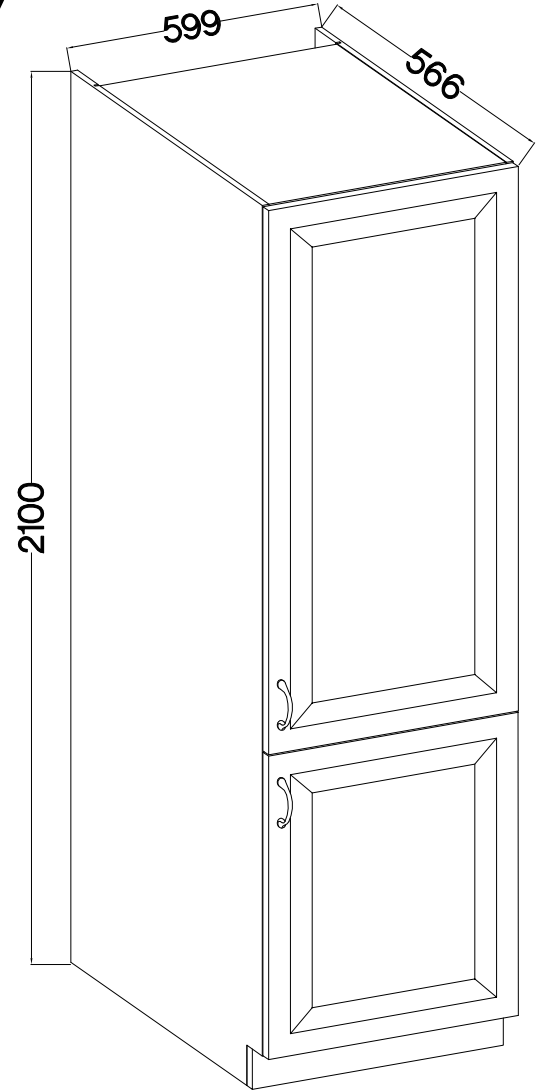
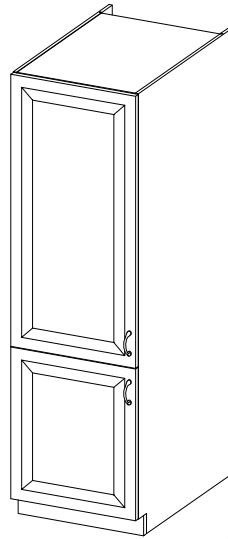
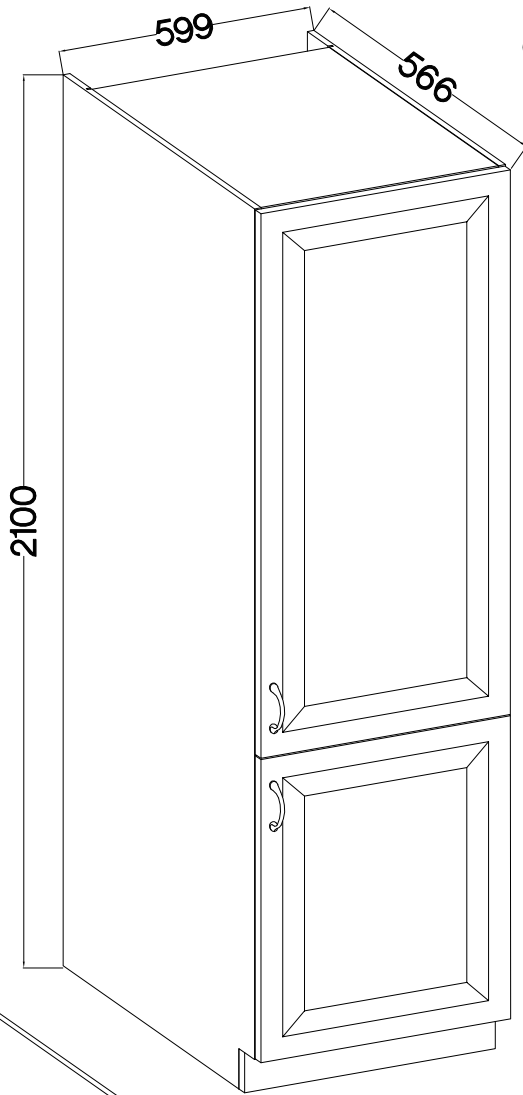


FRONT



60 DK-2100 2F

60 LO-2100

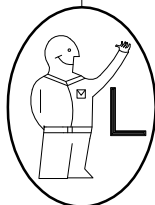
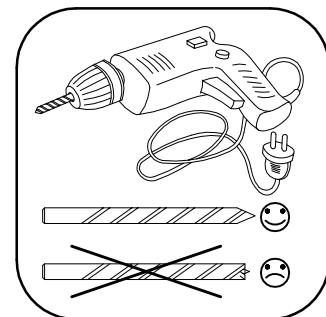


ISM-KUH-01205

1 60 DK-2100 2F

LEFT

RIGHT

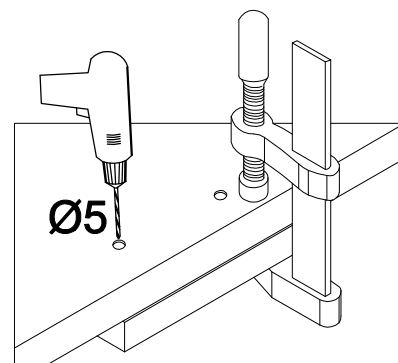


KUH.70782



KUH.70782

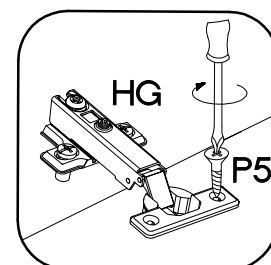
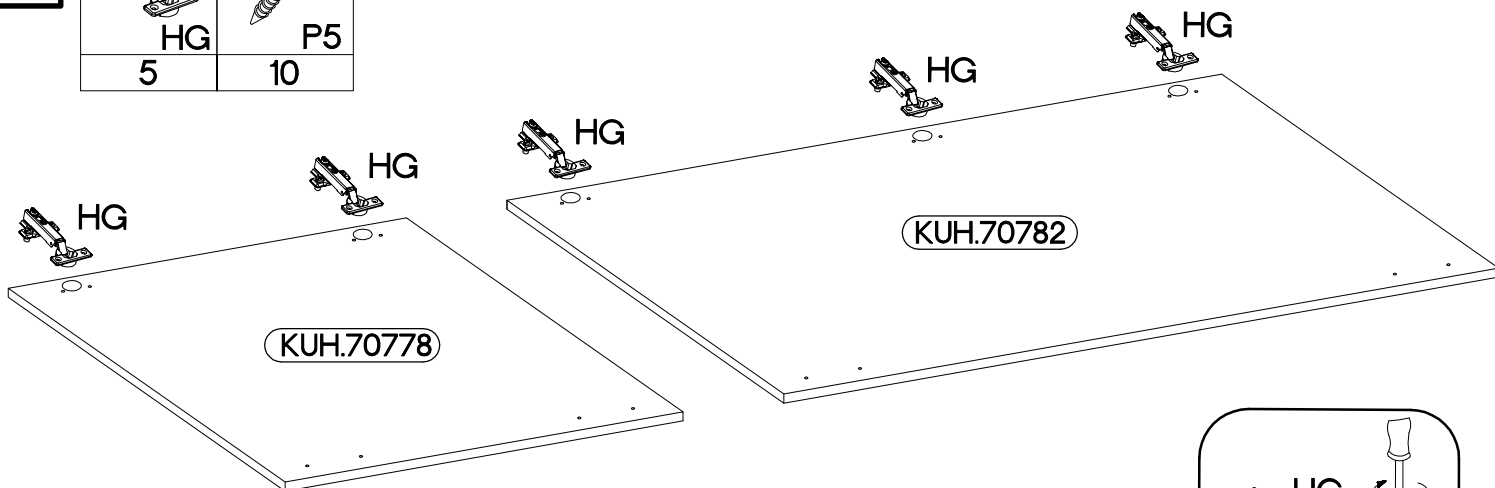
KUH.70778

KUH.70778



2

 †35/0mm HG 5	 †3.5x13mm P5 10
-----------------------------------------------------------------------------------------------------------	--------------------------------------------------------------------------------------------------------------



M4x22mm



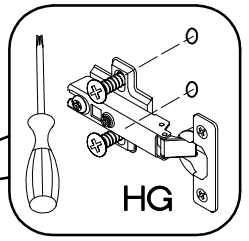
U

4

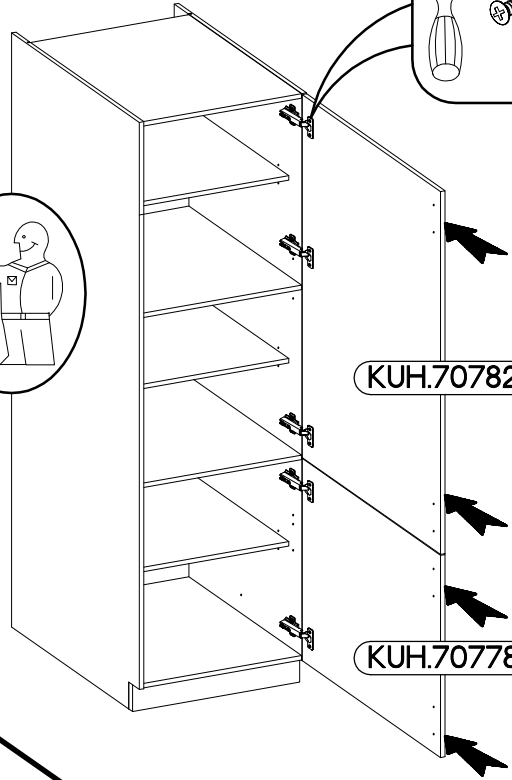
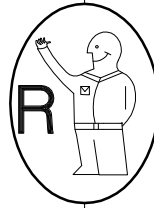


S

2

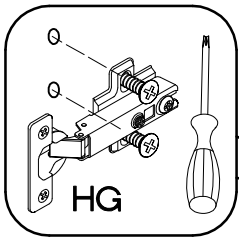


HG



KUH.70782

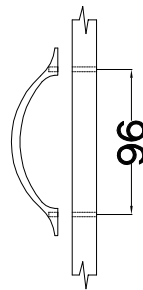
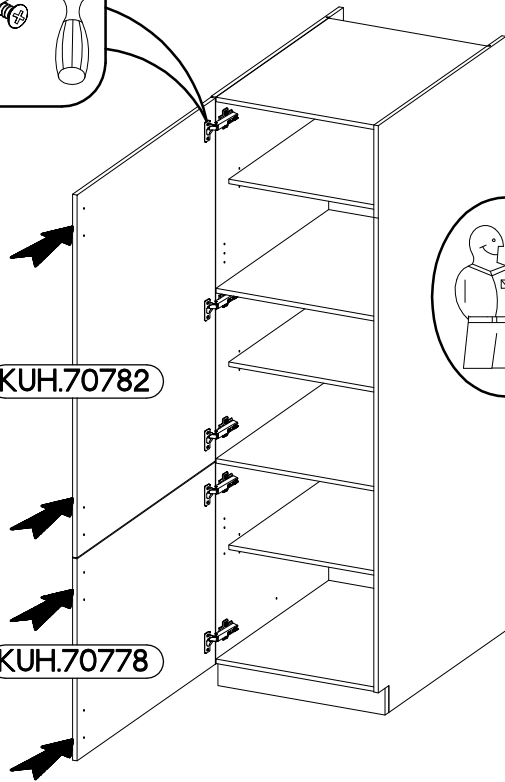
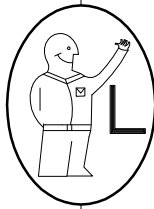
KUH.70778



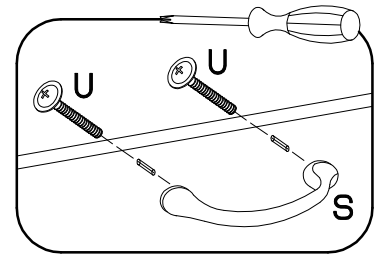
HG

KUH.70782

KUH.70778

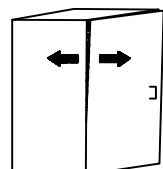
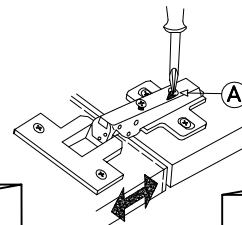
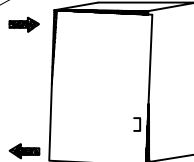
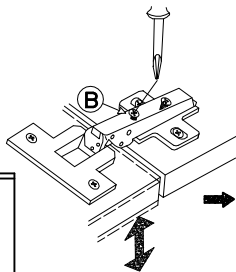
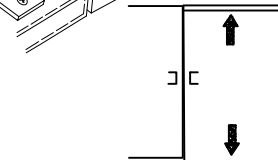
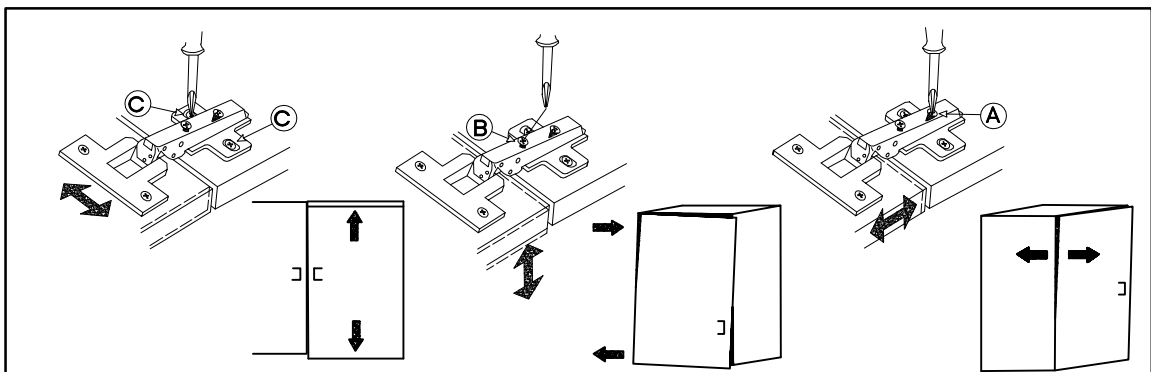


96



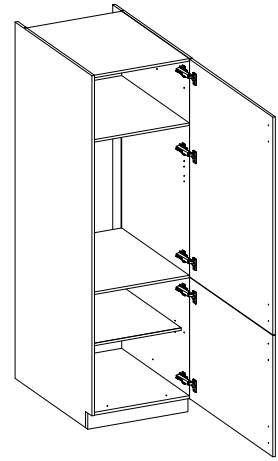
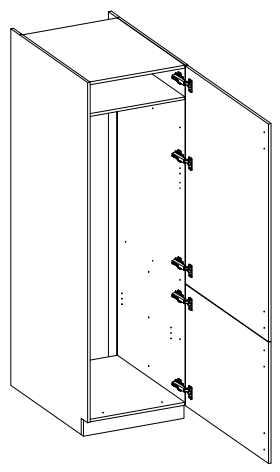
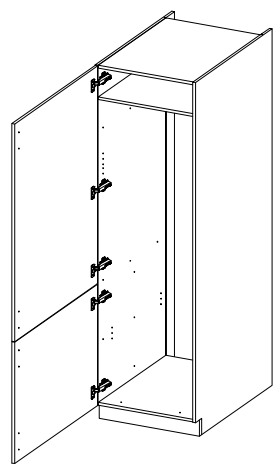
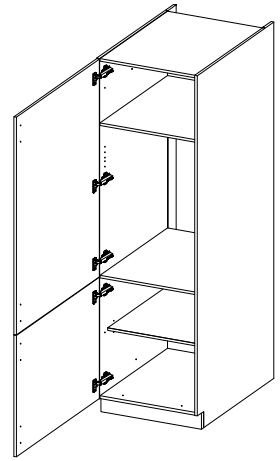
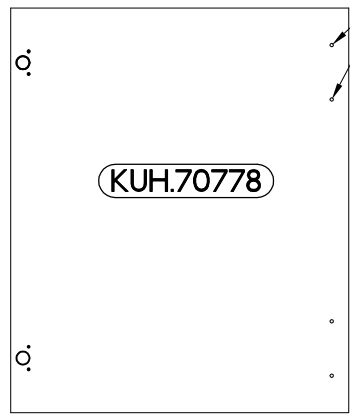
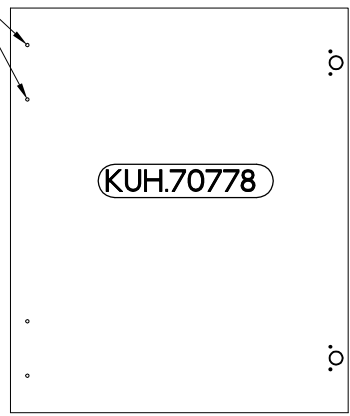
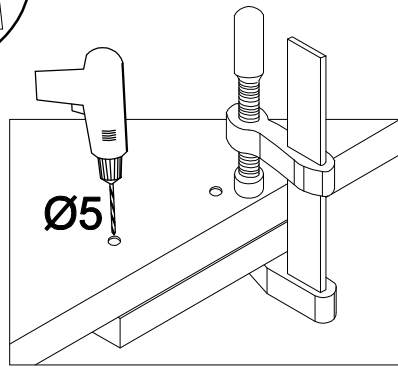
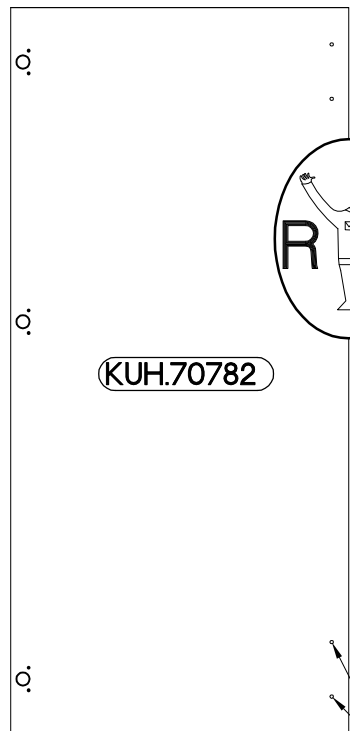
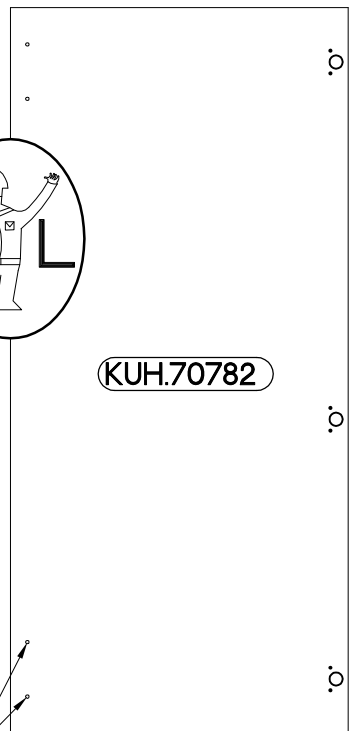
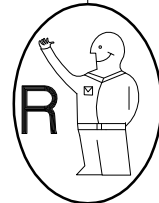
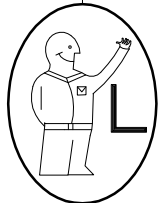
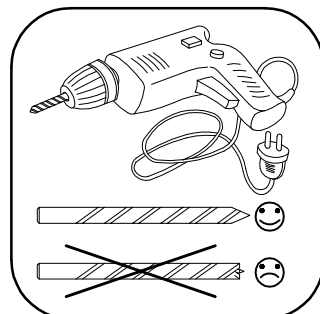
U

S

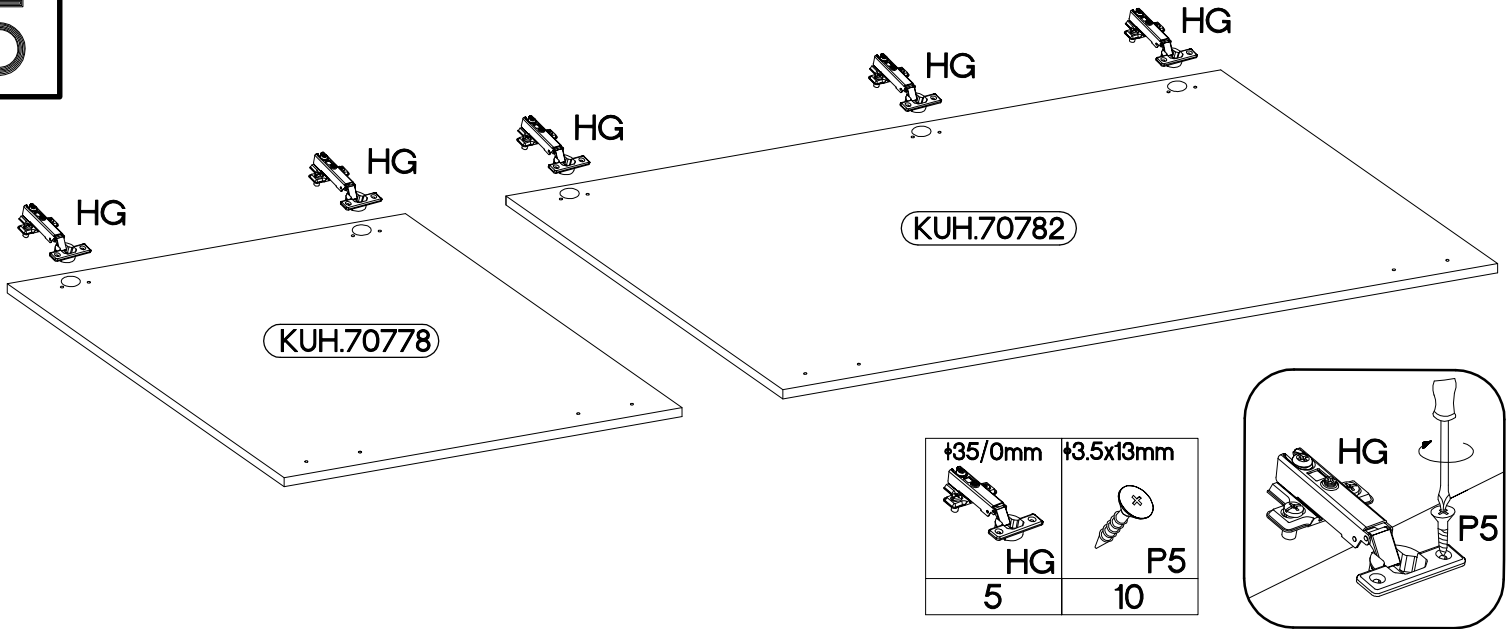


LEFT

RIGHT

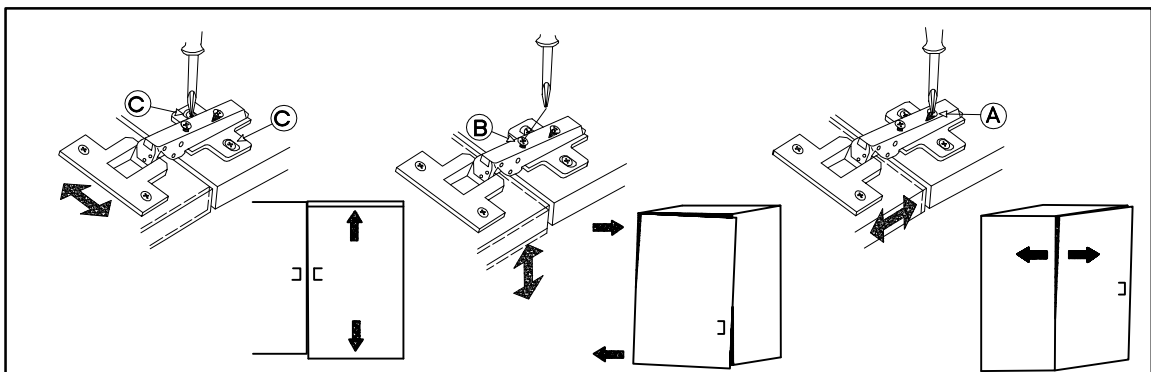
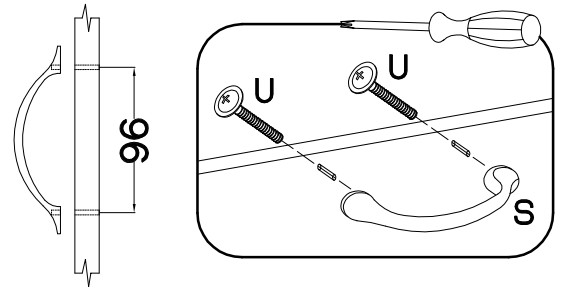
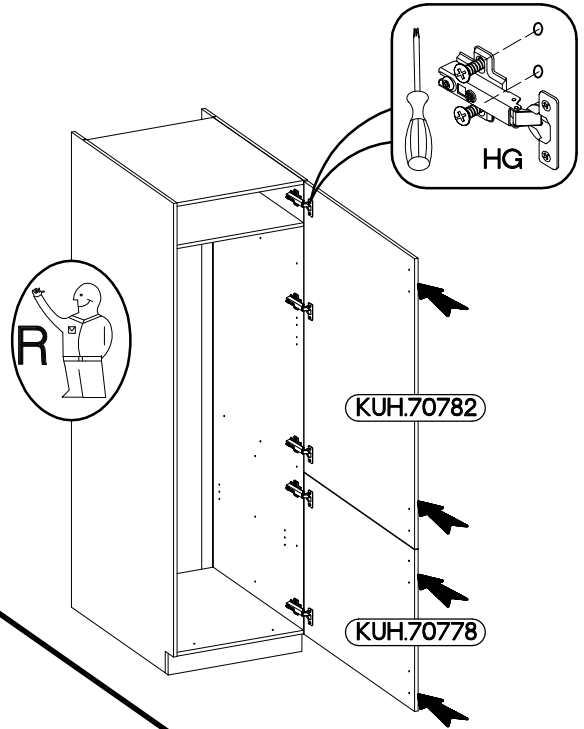
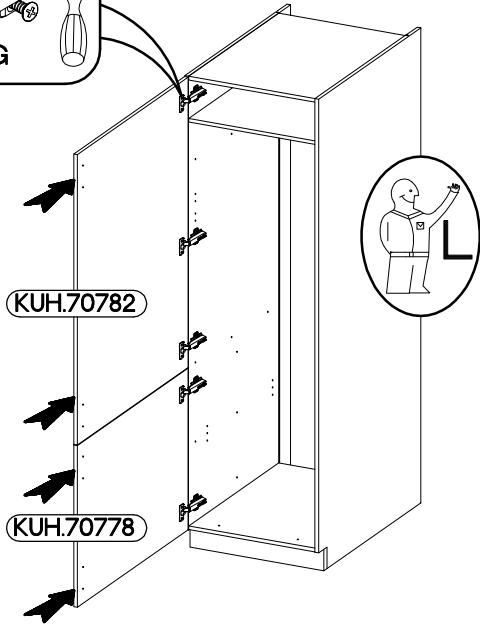
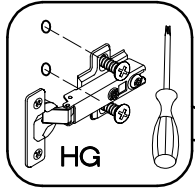


5





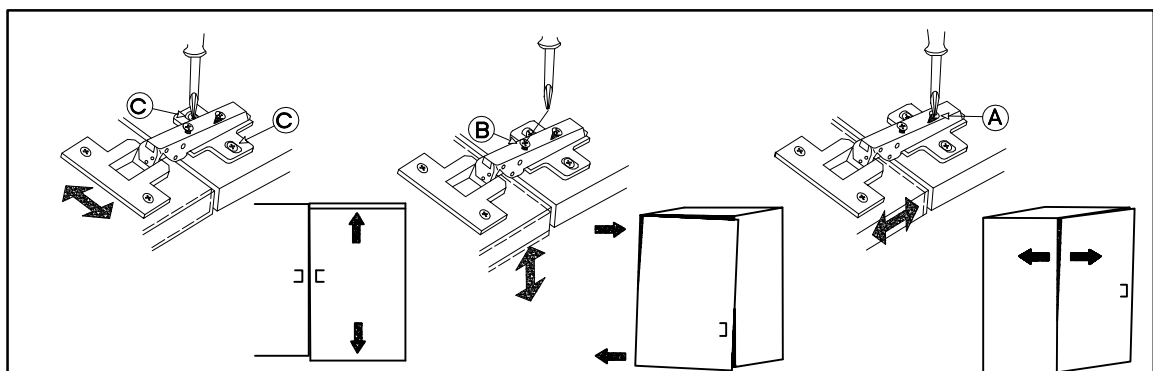
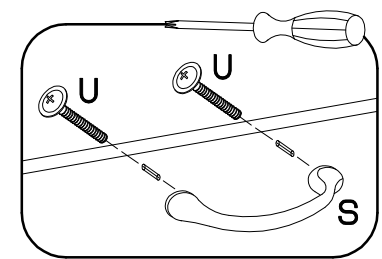
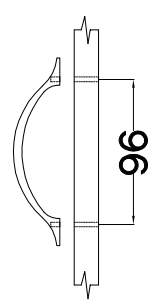
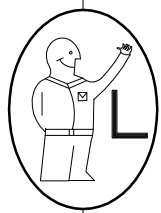
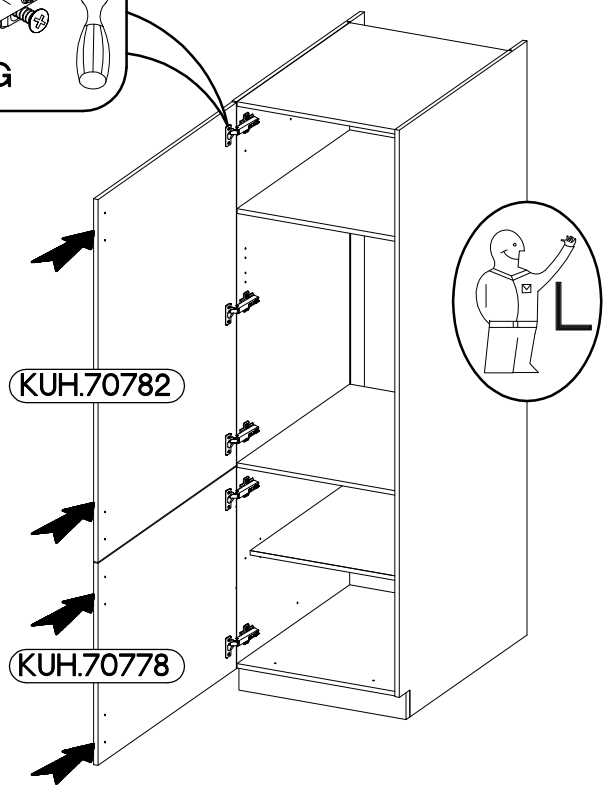
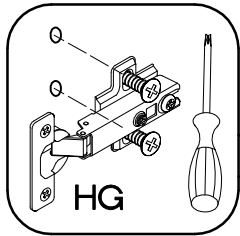
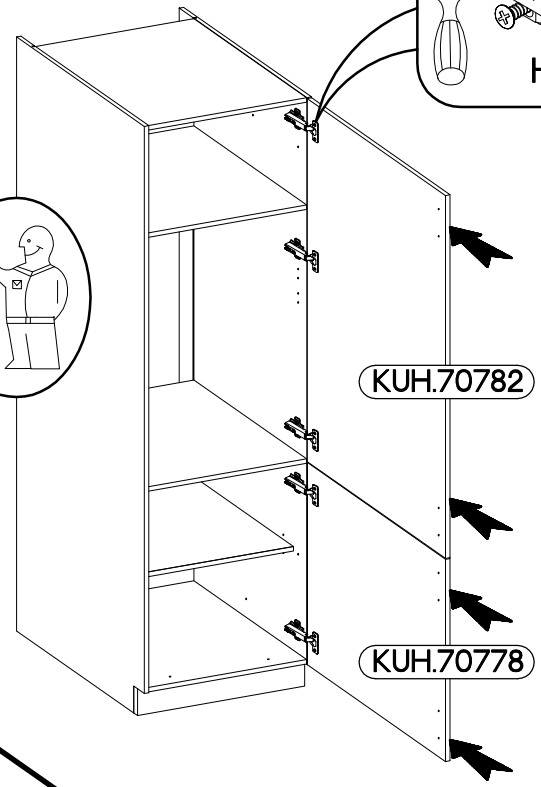
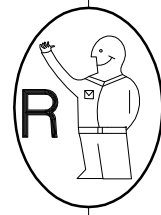
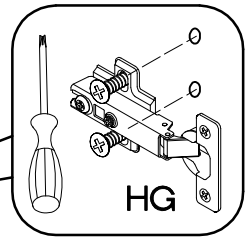
6 WARIANT A

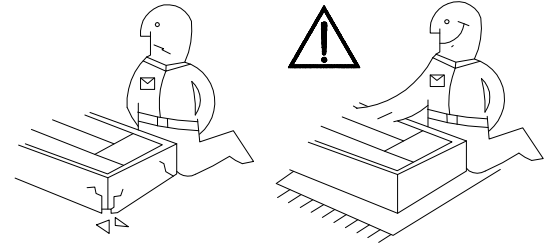
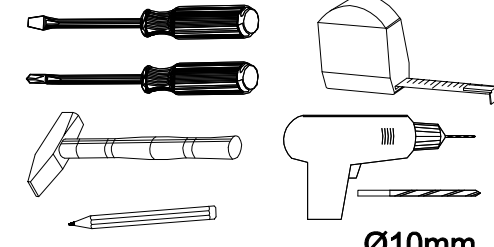
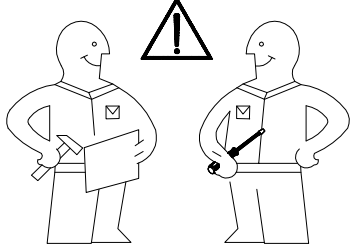
M4x22mm U 4	S 2
-------------------	--------



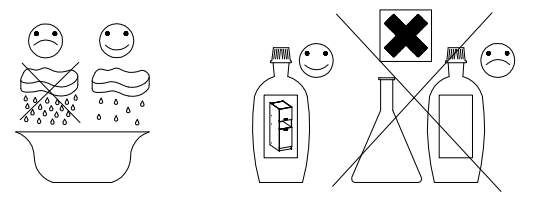
7 | WARIANT B

M4x22mm	
	
U	S
4	2



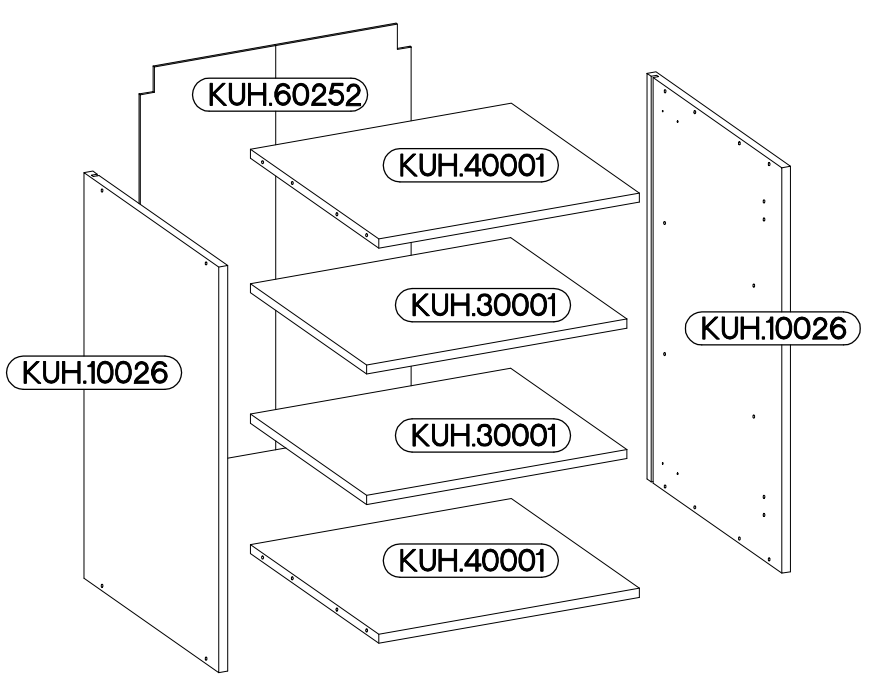
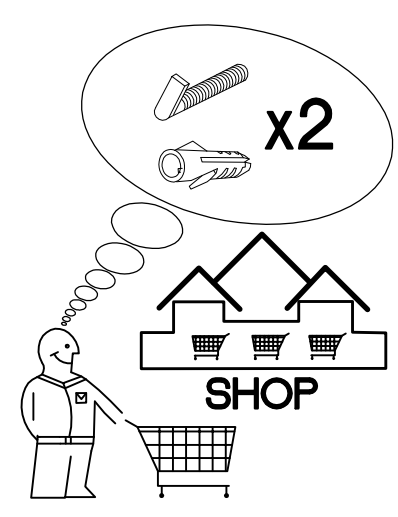
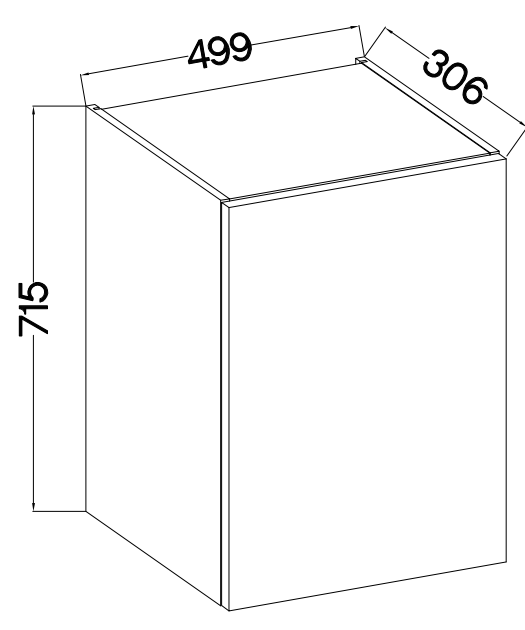
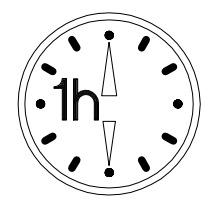


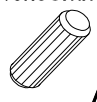
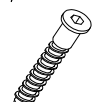


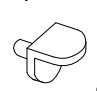
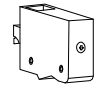
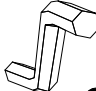

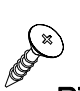
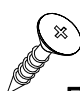
Ø10mm
50 G-72 1F

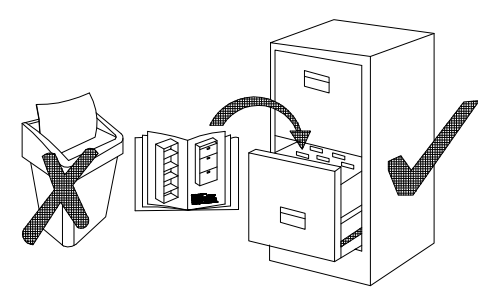


max.
5kg

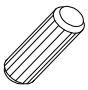
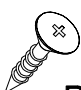

KUH.30001
KUH.40001

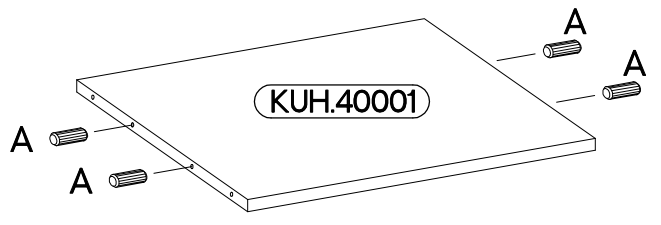
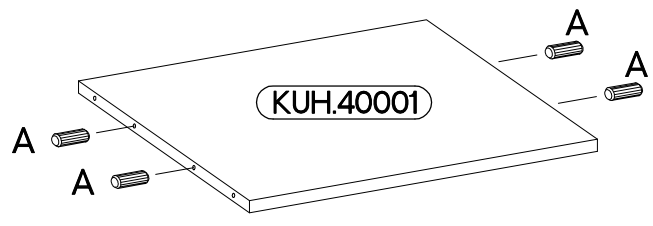
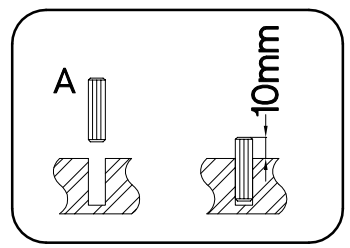
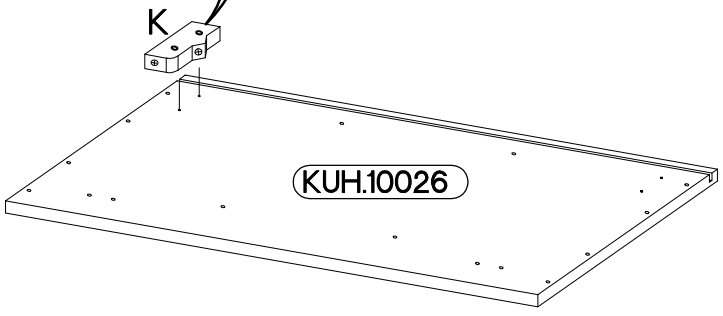
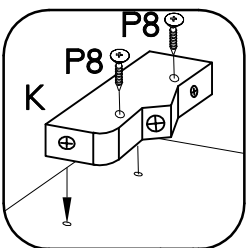
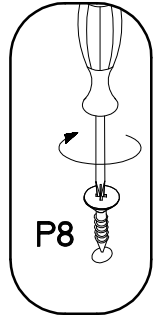
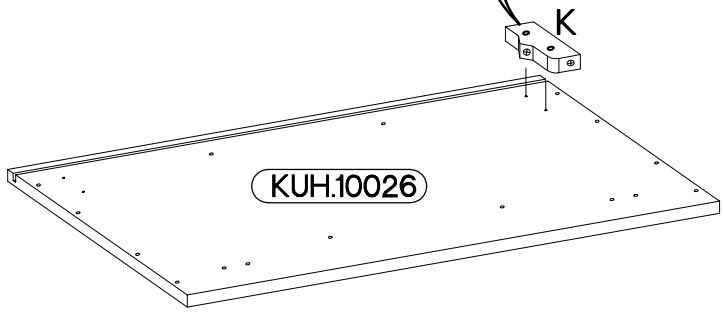
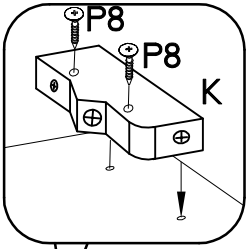
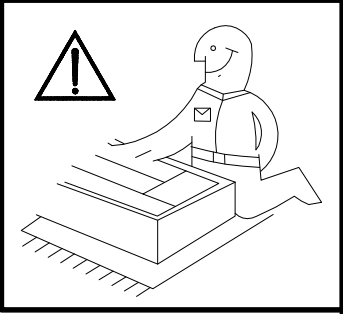


 8x30mm A 8	 6,4 x 50mm B 8	 E1 8	 †35/0mm HG 2
 †5/19mm J 8	 K 2	 O 1	 †3.5x13mm P5 4
			 †3.0x20mm P7 8-10
			 †4.0x30mm P8 4

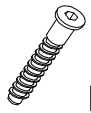
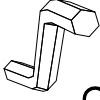



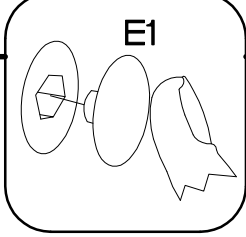
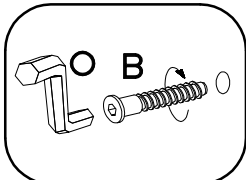
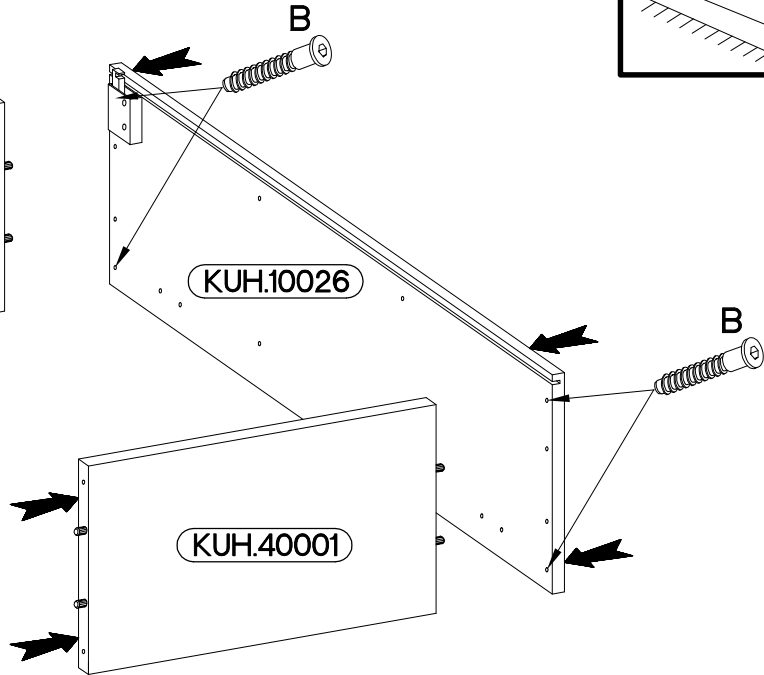
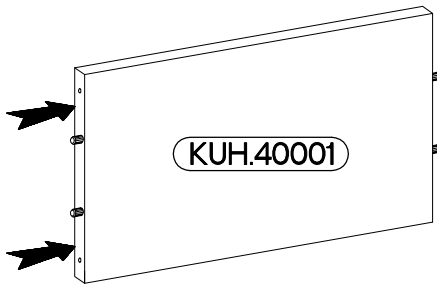
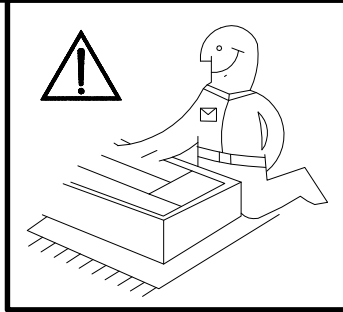
ISM-KUH-01137

$\pm 8 \times 30 \text{mm}$  A 8	$\pm 4.0 \times 30 \text{mm}$  P8 4	 K 2
---------------------------------------------------------------------------------------------------------------------------	------------------------------------------------------------------------------------------------------------------------------	--------------------------------------------------------------------------------------------

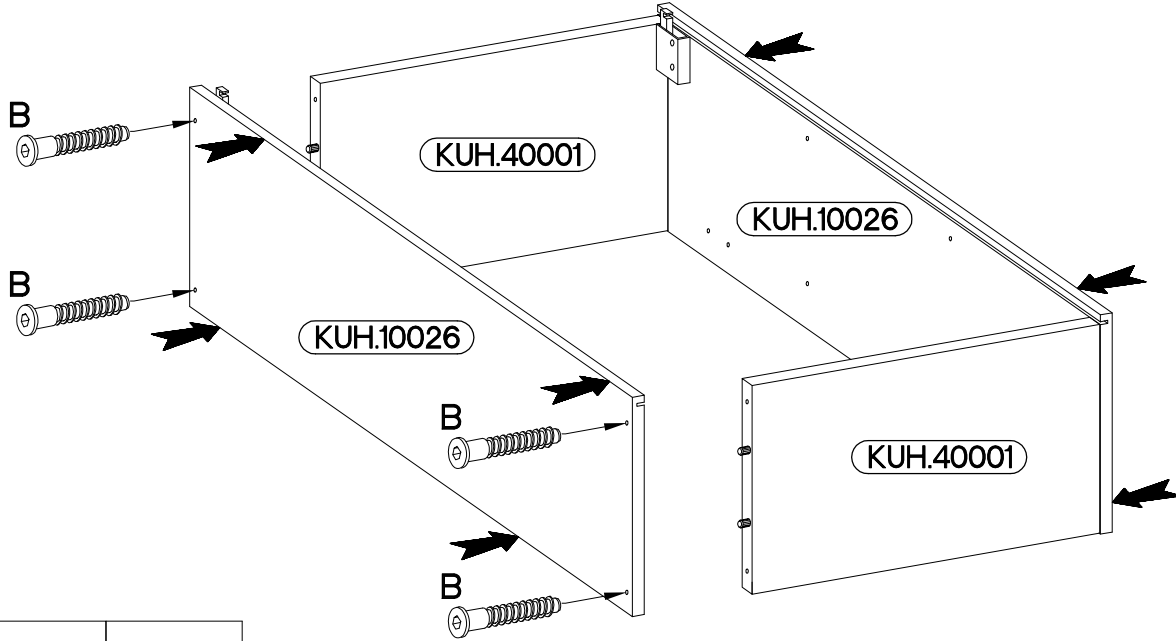



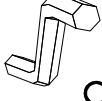

2

6,4 x 50mm		
		
B	O	E1
4	1	4

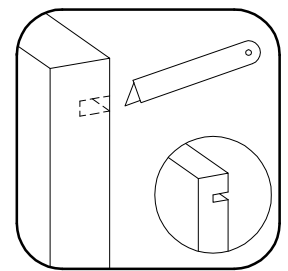
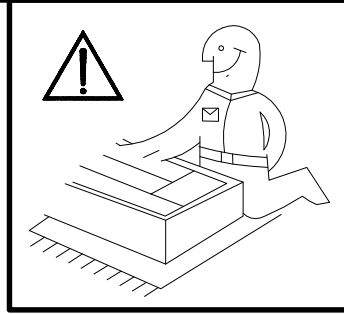
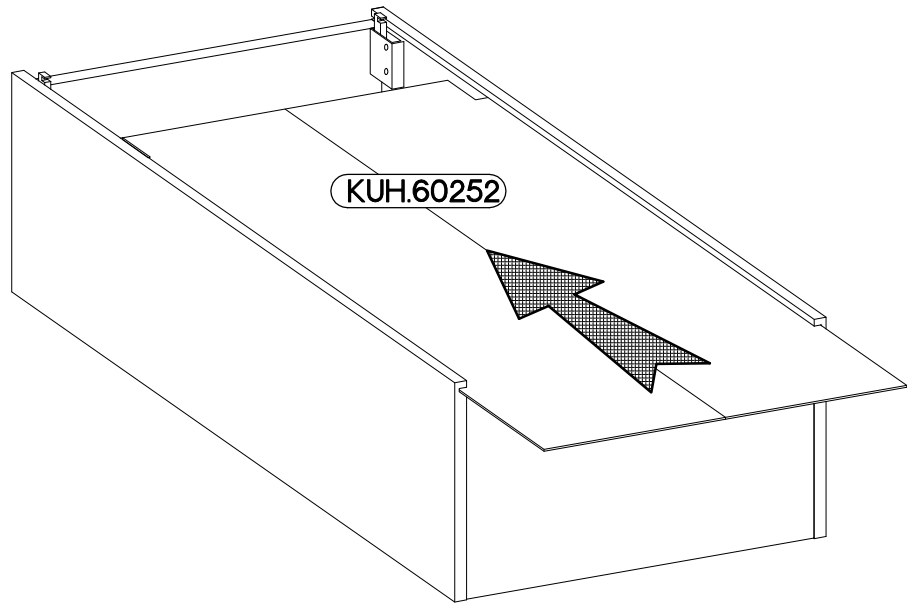


3

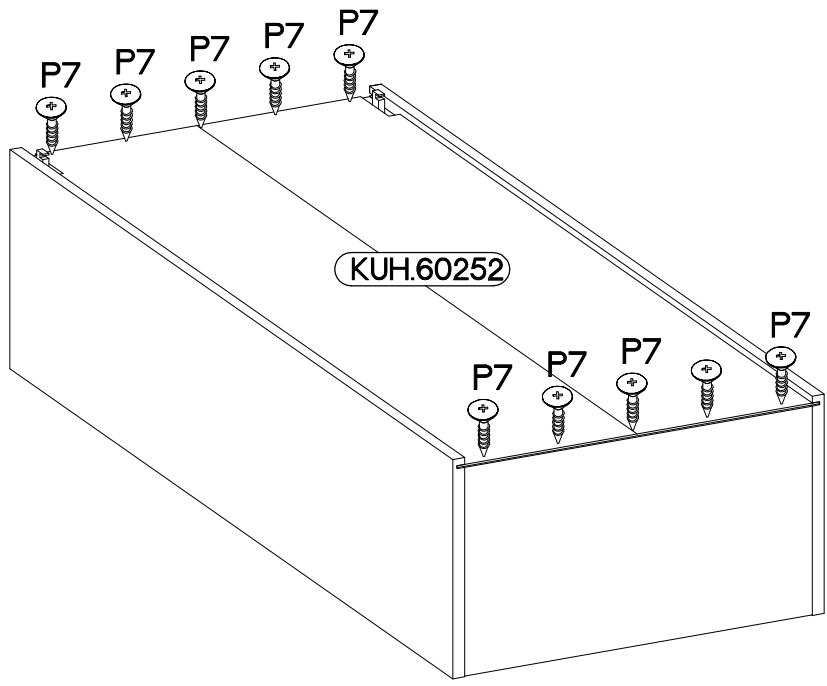
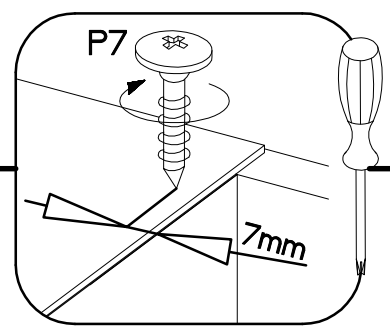
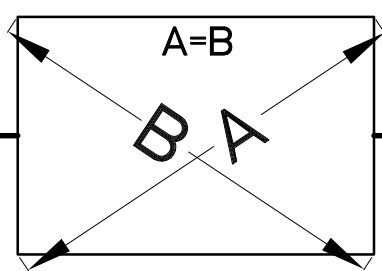
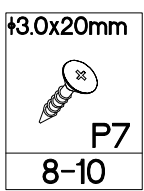


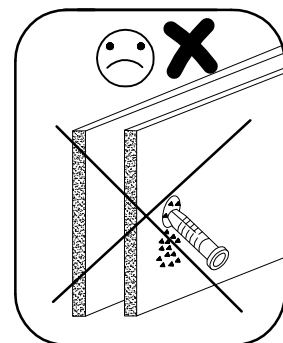
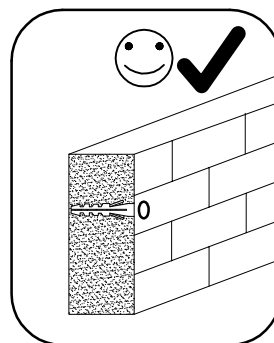
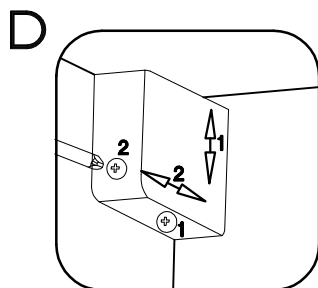
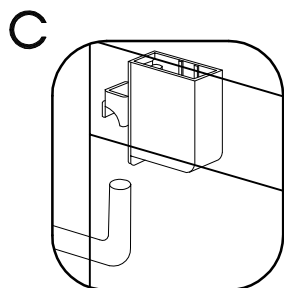
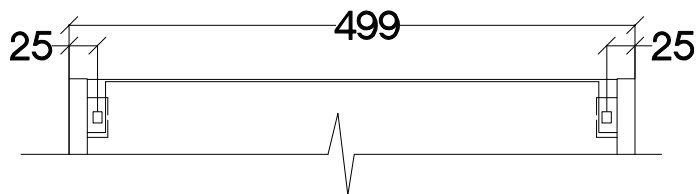
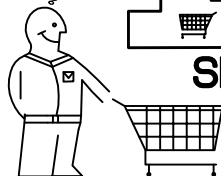
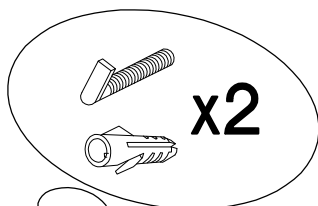
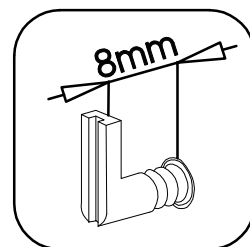
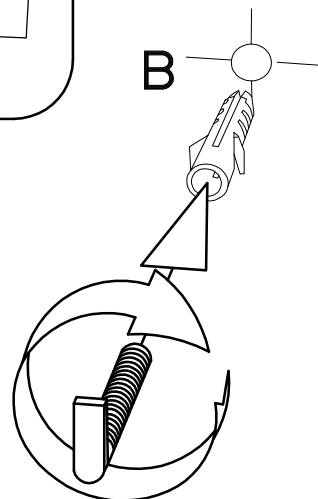
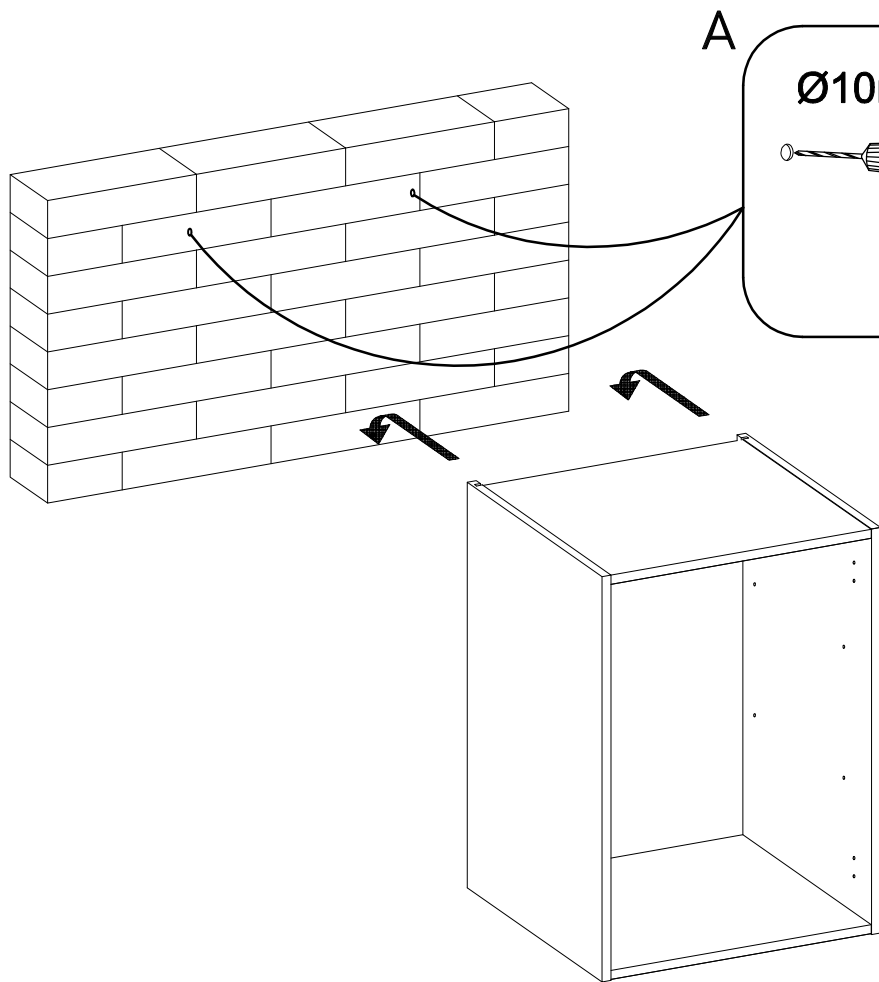
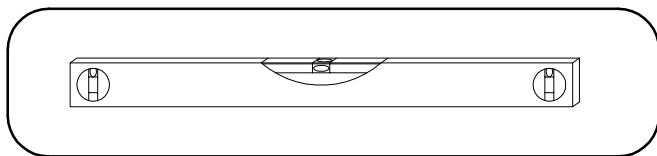
6,4 x 50mm		
		
B	O	E1
4	1	4

4

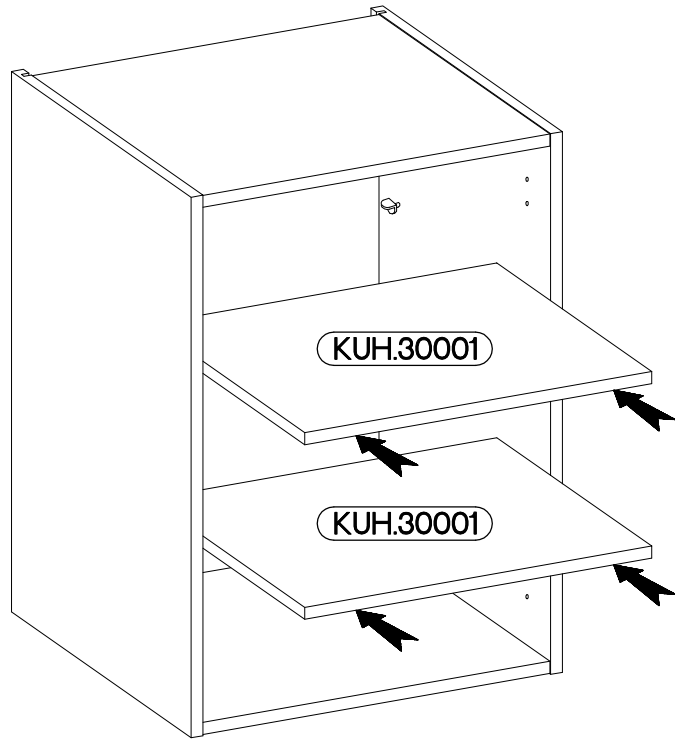
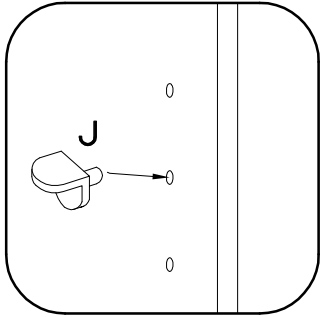
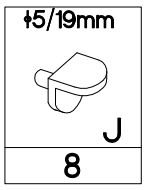


5



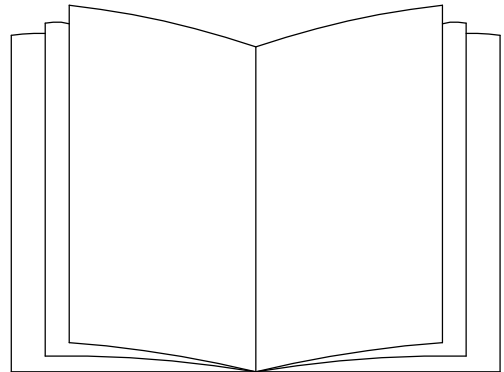
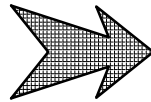
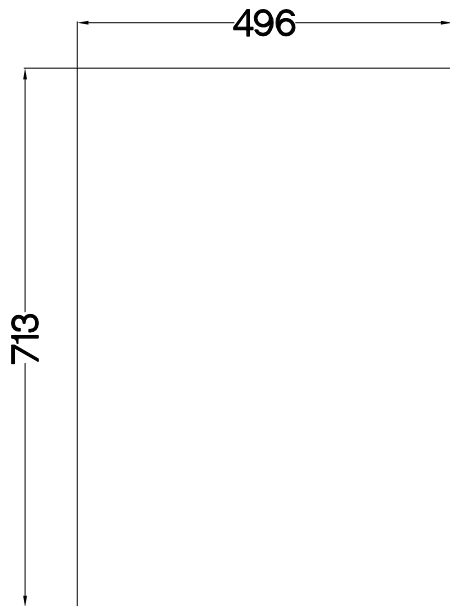


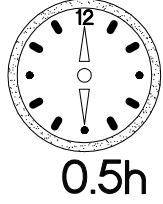
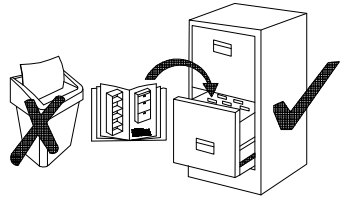
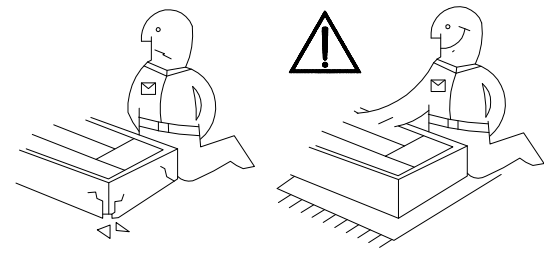
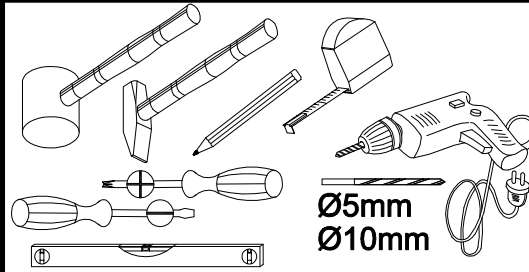
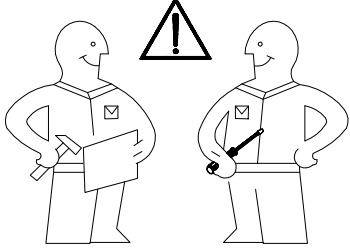
7



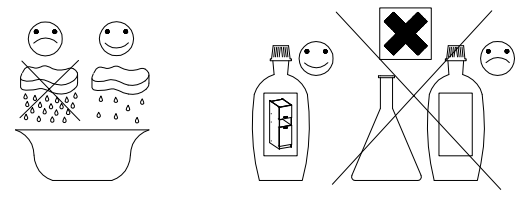
8

FRONT

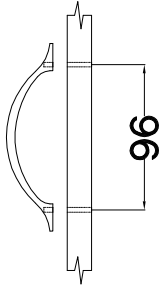
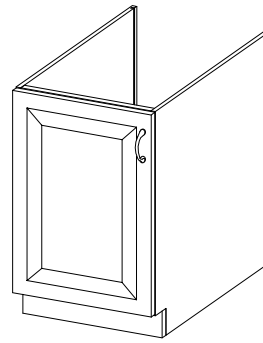
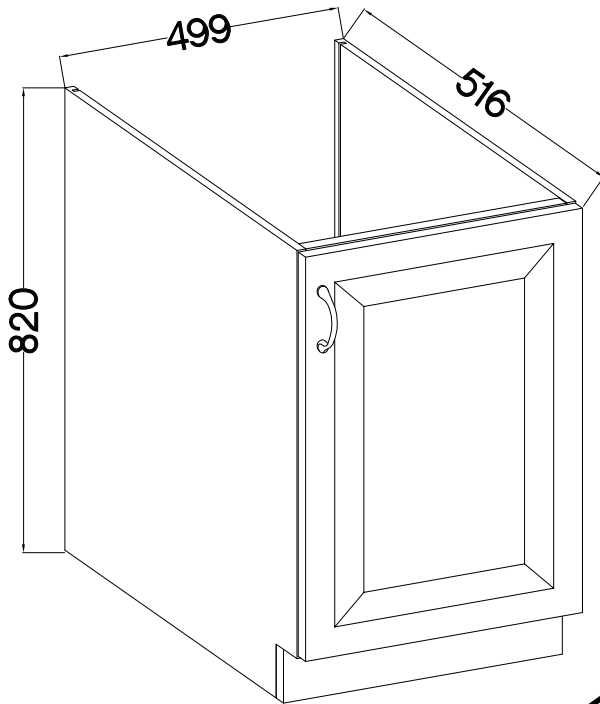




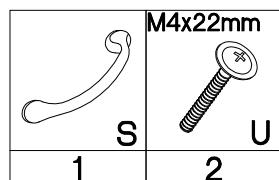
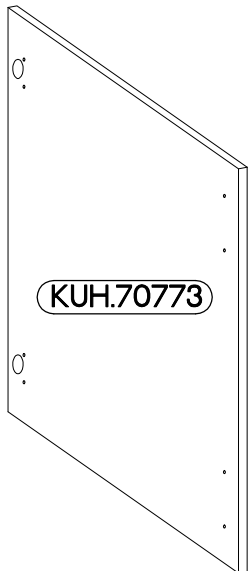
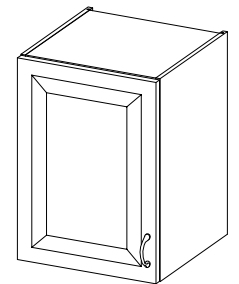
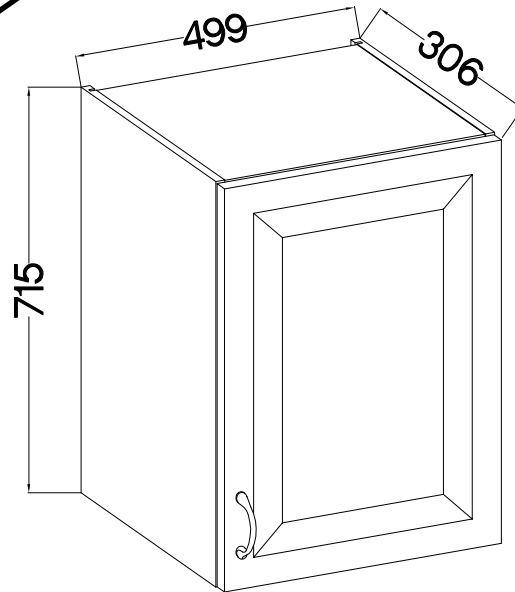
FRONT



50 ZL 1F BB



50 G-72 1F



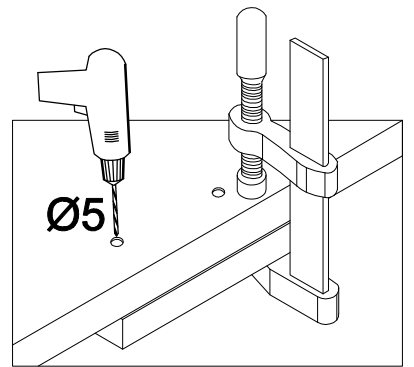
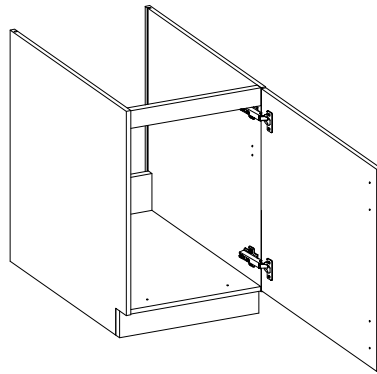
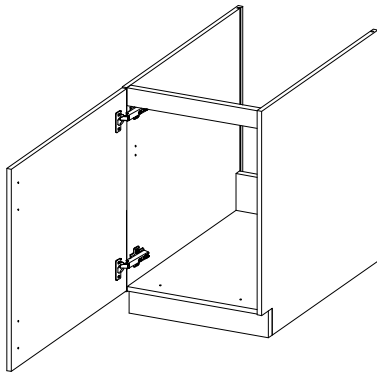
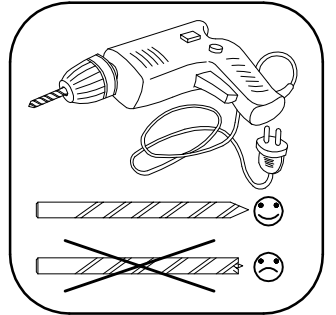
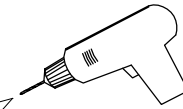
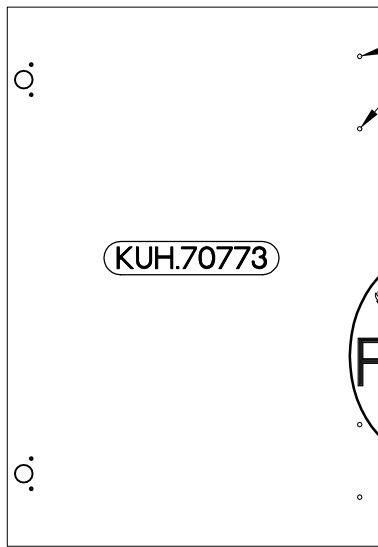
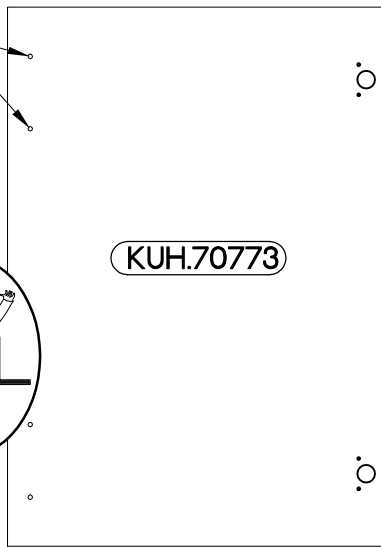
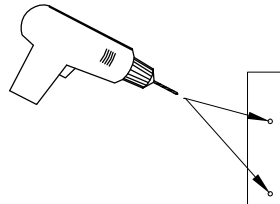
ISM-KUH-01191

1

50 ZL 1F BB

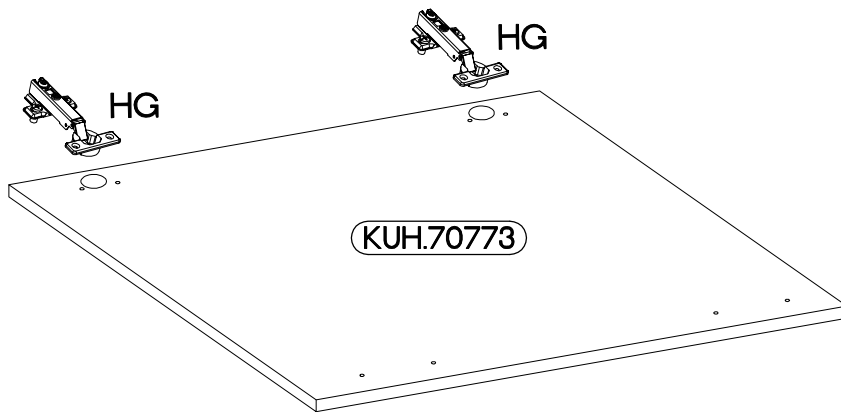
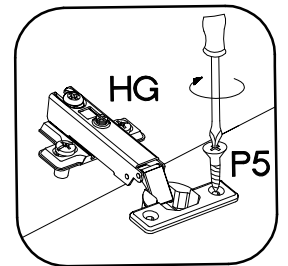
LEFT

RIGHT





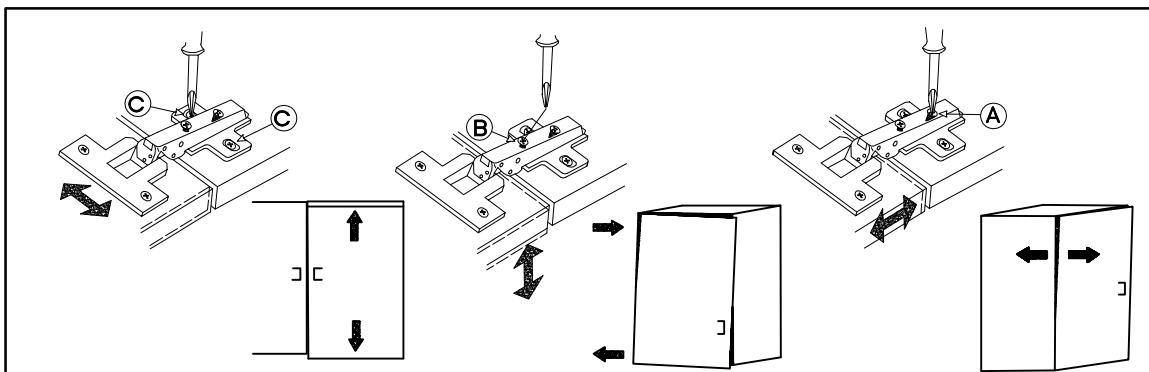
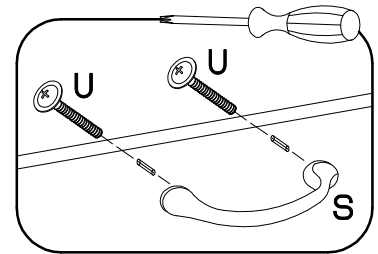
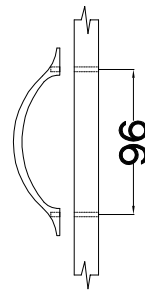
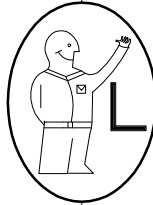
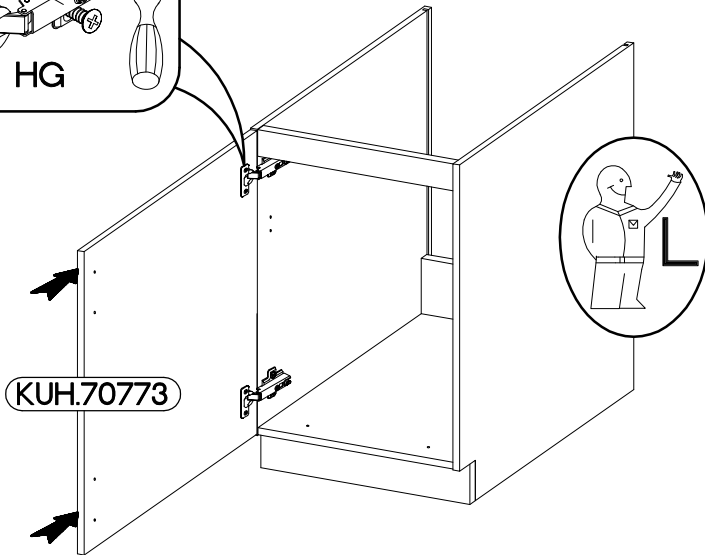
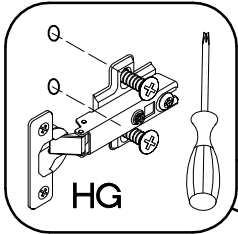
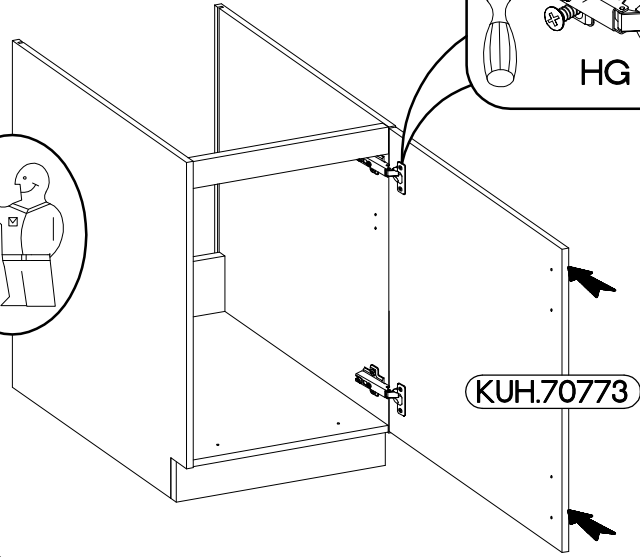
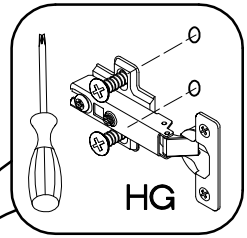
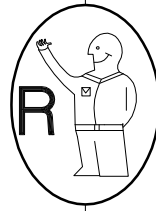
2

+35/0mm	+3.5x13mm
HG	P5
2	4



3

M4x22mm	
	
U	S
2	1

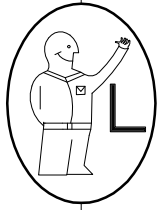
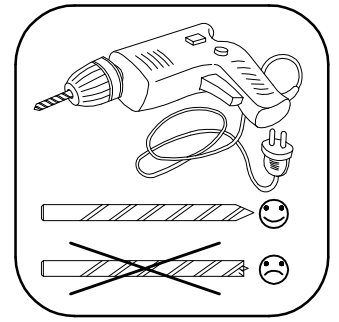


4

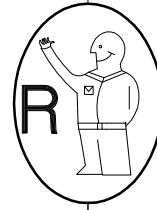
50 G-72 1F

LEFT

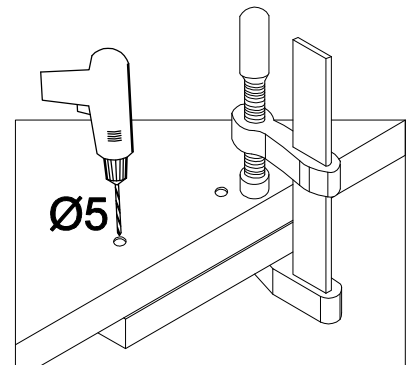
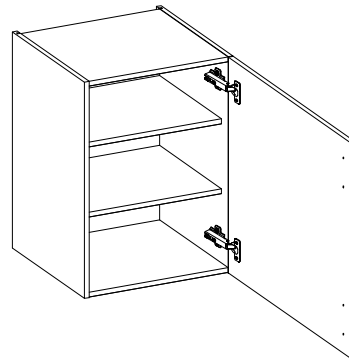
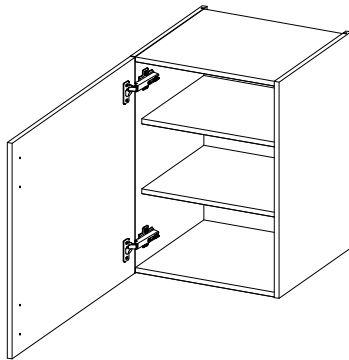
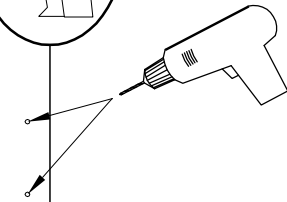
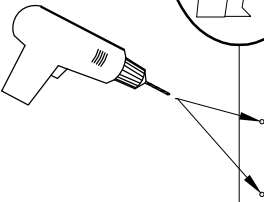
RIGHT





KUH.70773

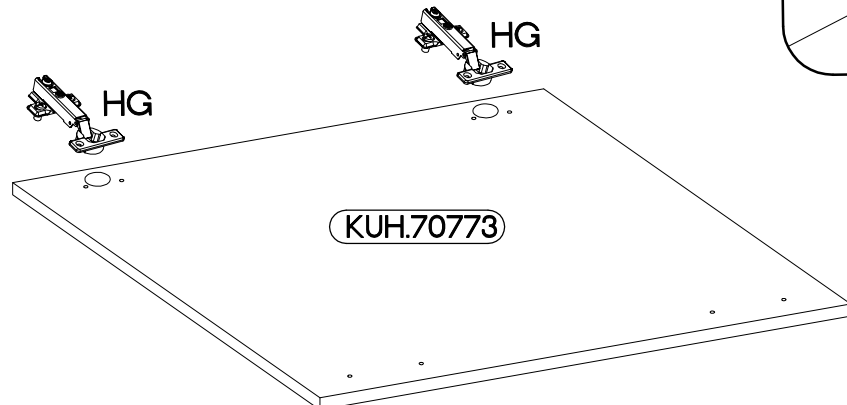
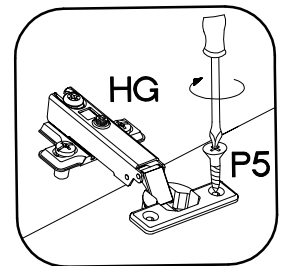


KUH.70773



5

 HG 2	 P5 4
------------------------------------------------------------------------------------------------	------------------------------------------------------------------------------------------------



6

M4x22mm



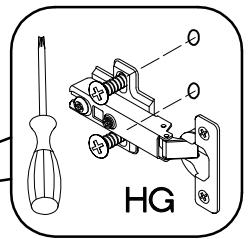
U

2

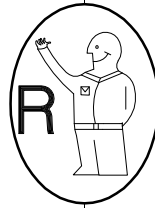


S

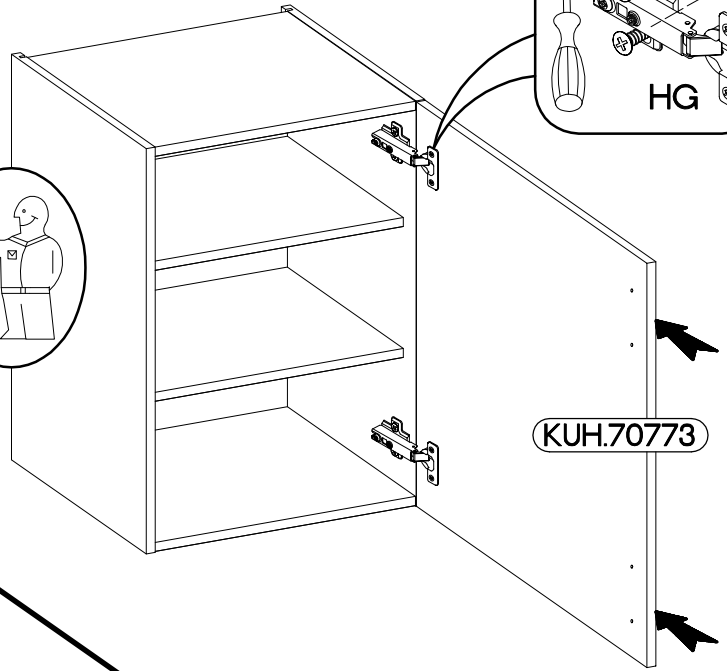
1



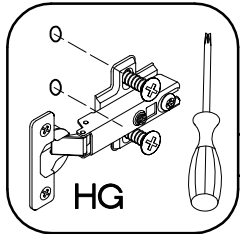
HG



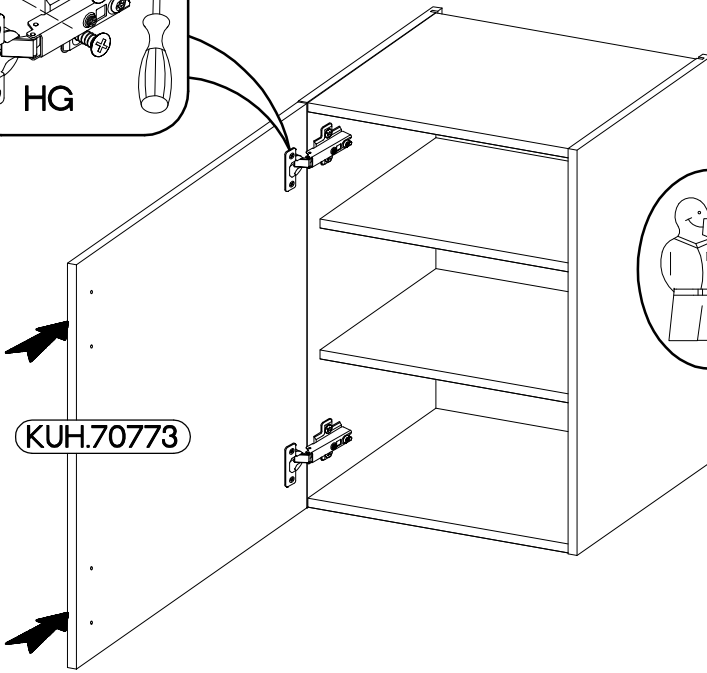
R



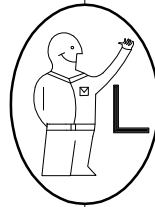
KUH.70773



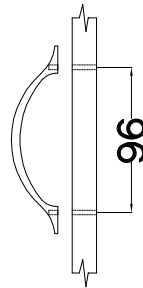
HG



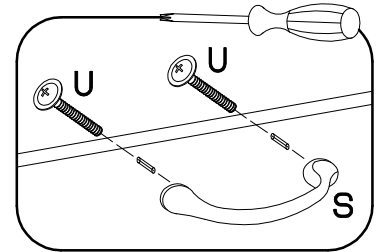
KUH.70773



L

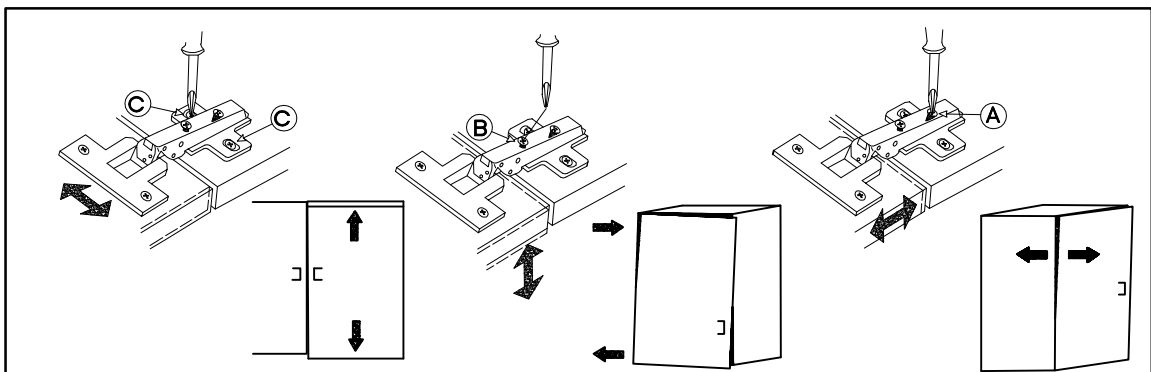


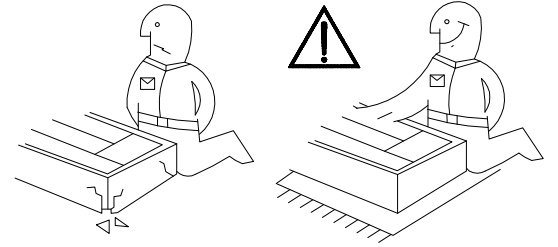
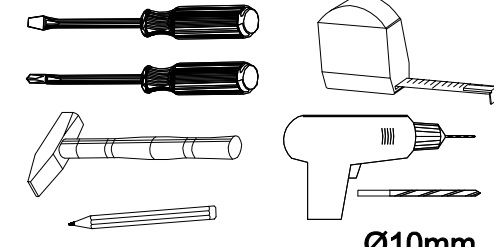
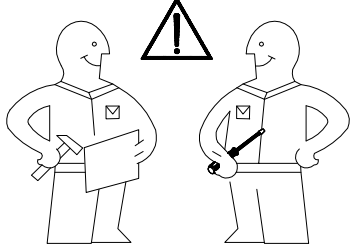
96



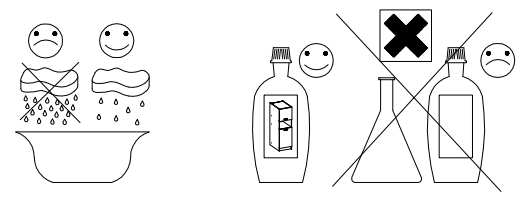
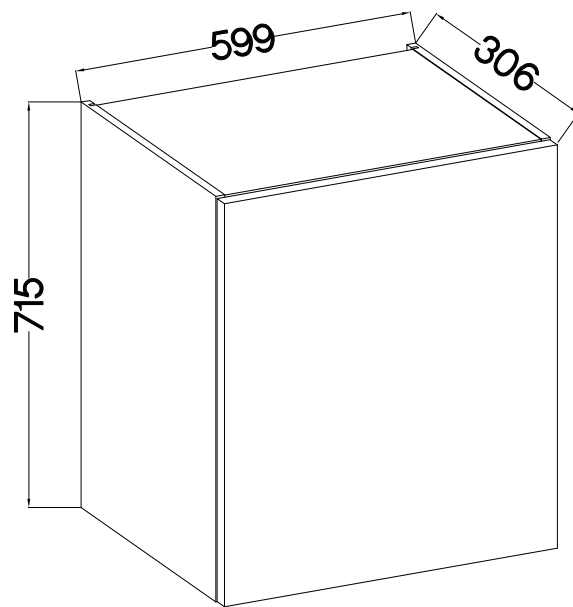
U

S

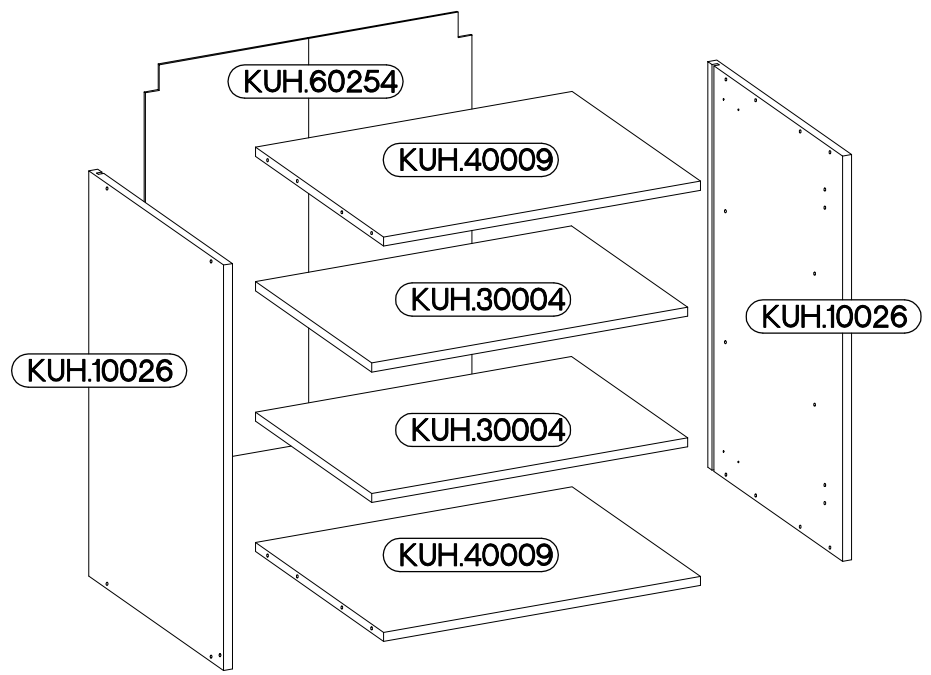
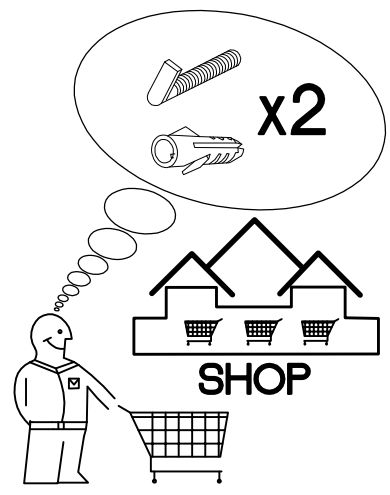
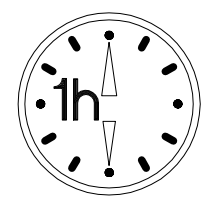


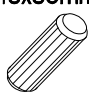


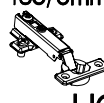

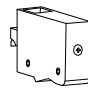
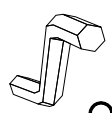





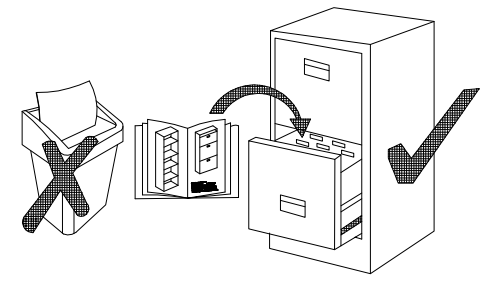
Ø10mm
60 G-72 1F



KUH.30004
KUH.40009

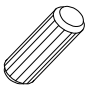
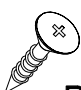
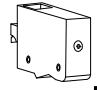


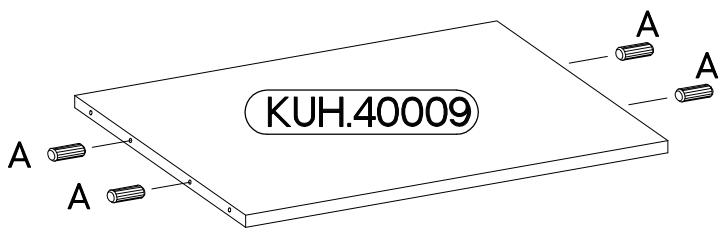
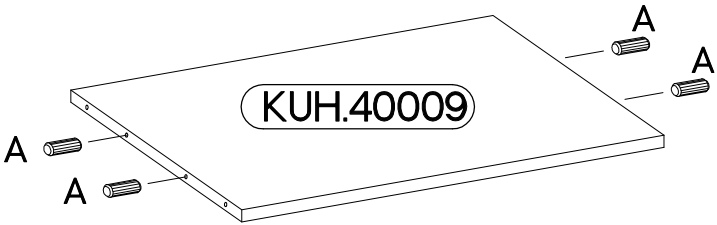
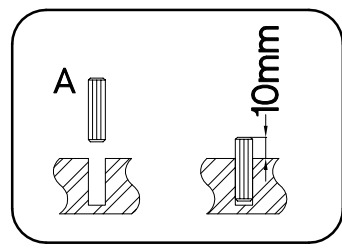
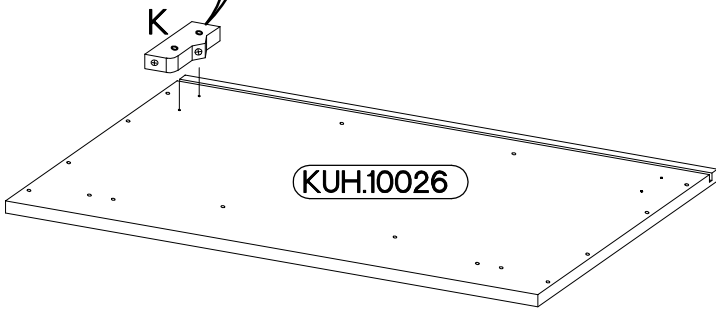
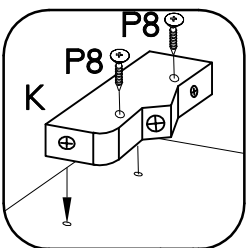
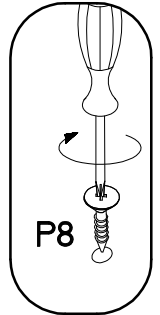
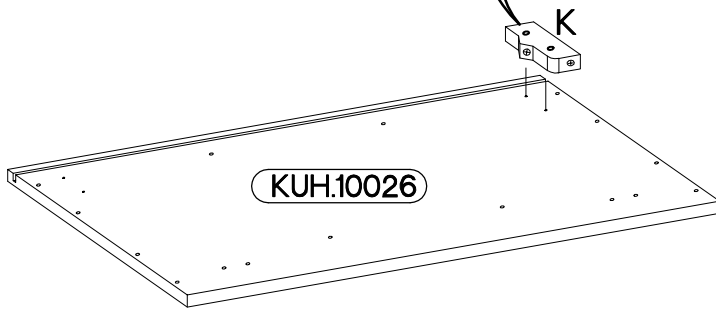
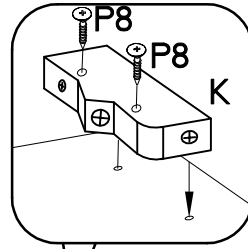
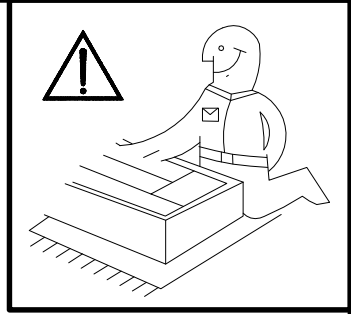
 8x30mm A 8	 6,4 x 50mm B 8	 E1 8	 †35/0mm HG 2	 †5/19mm J 8	 K 2	 O 1	 †3.5x13mm P5 4	 †3.0x20mm P7 8-10	 †4.0x30mm P8 4
----------------------------------------------------------------------------------------------------------------------	---------------------------------------------------------------------------------------------------------------------------	-------------------------------------------------------------------------------------------------------	-------------------------------------------------------------------------------------------------------------------------	-----------------------------------------------------------------------------------------------------------------------	------------------------------------------------------------------------------------------------------	------------------------------------------------------------------------------------------------------	---------------------------------------------------------------------------------------------------------------------------	------------------------------------------------------------------------------------------------------------------------------	---------------------------------------------------------------------------------------------------------------------------



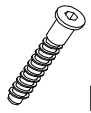
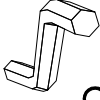

ISM-KUH-01142

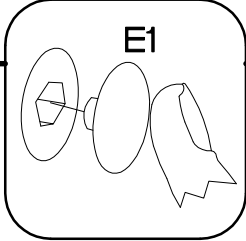
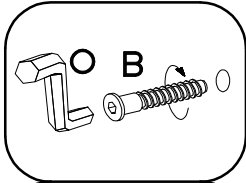
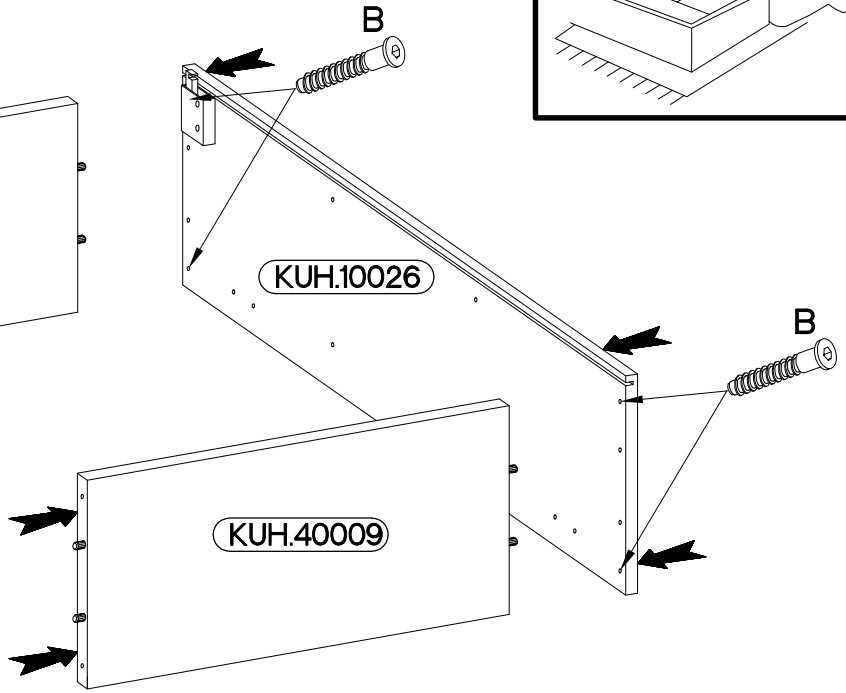
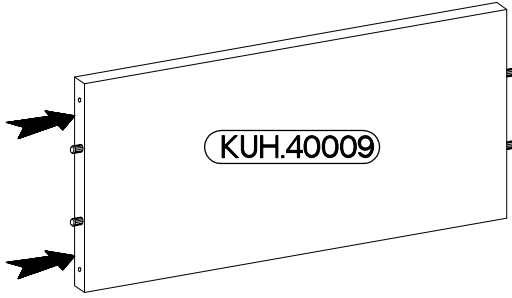
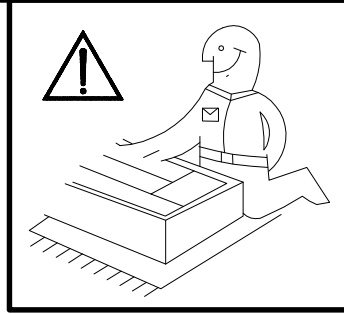
1

$\pm 8 \times 30 \text{mm}$  A 8	$\pm 4.0 \times 30 \text{mm}$  P8 4	 K 2
---------------------------------------------------------------------------------------------------------------------------	------------------------------------------------------------------------------------------------------------------------------	--------------------------------------------------------------------------------------------

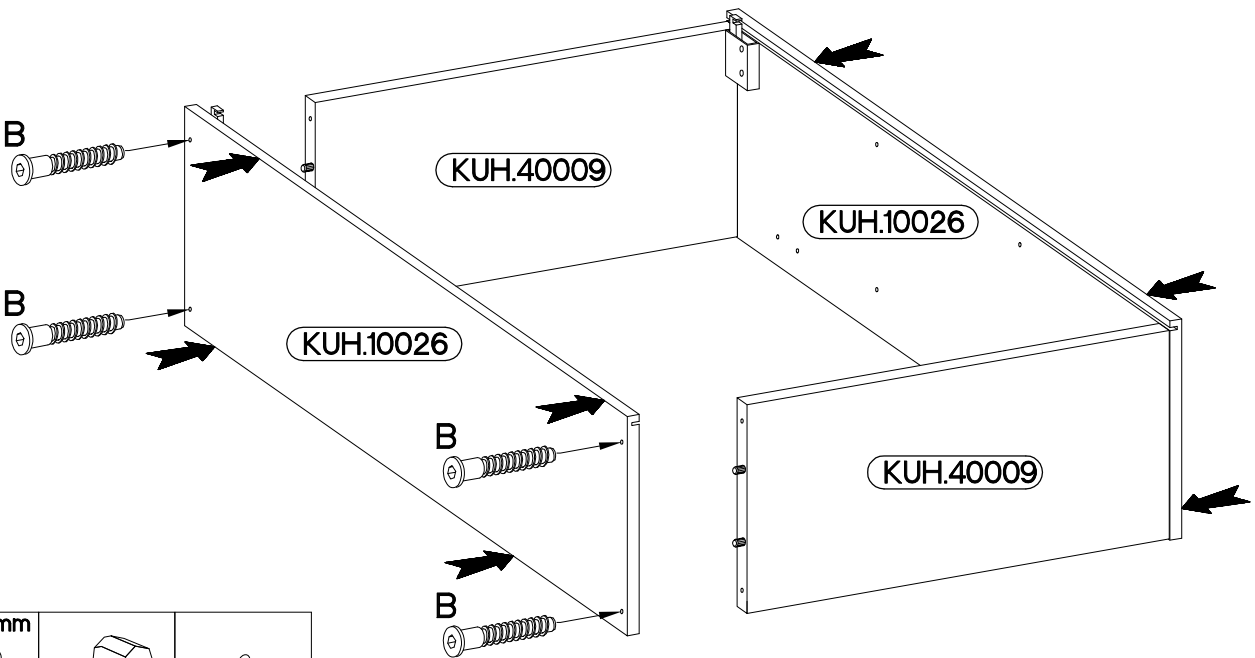



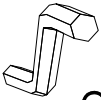

2

6,4 x 50mm		
		
B	O	E1
4	1	4

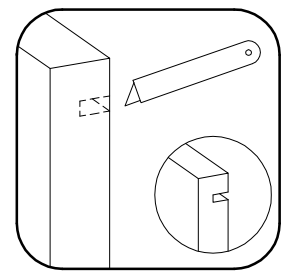
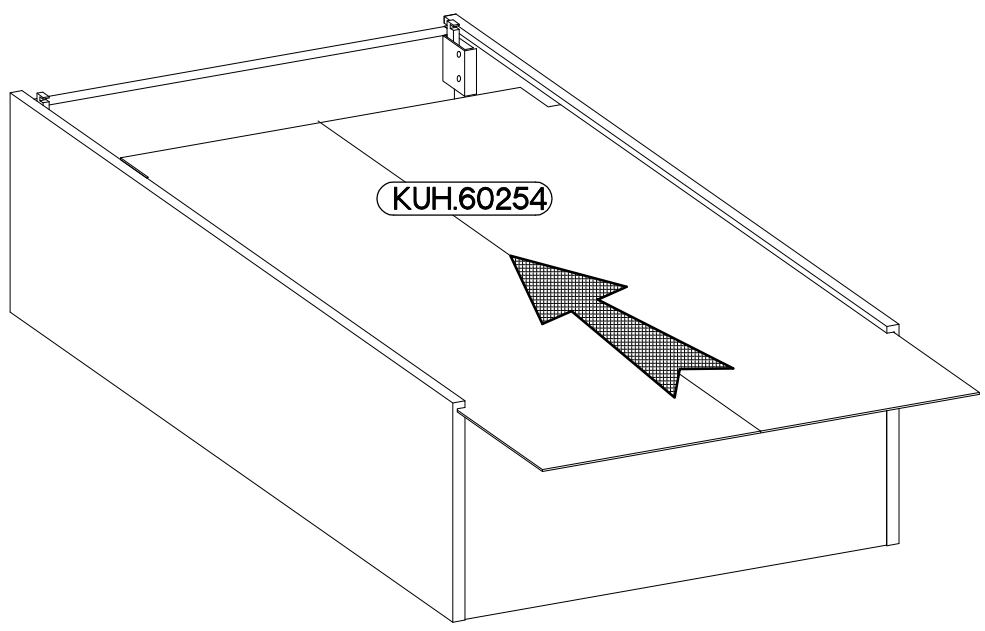
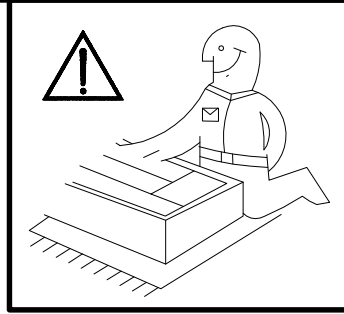


3

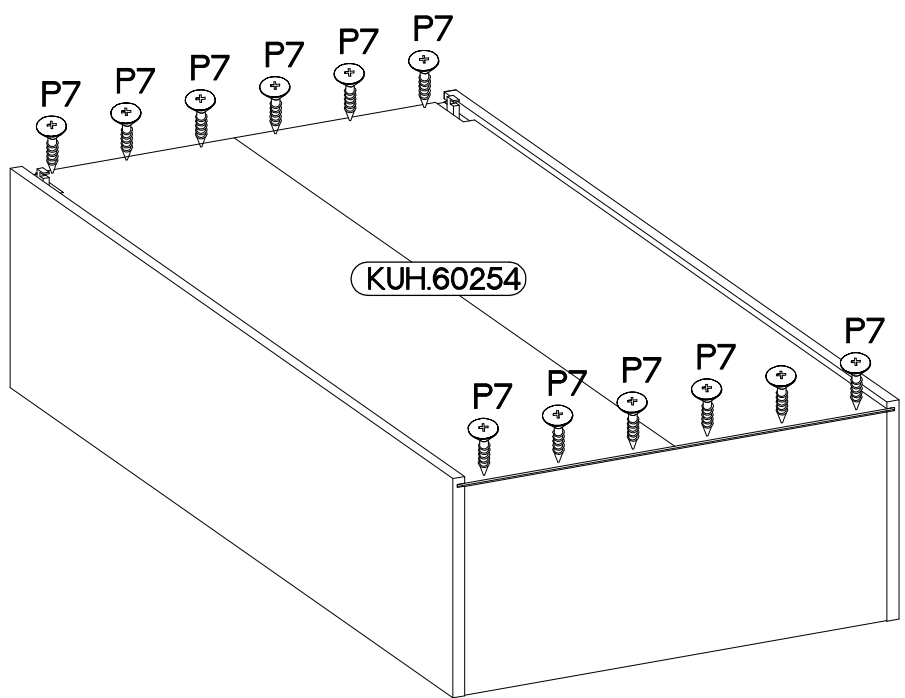
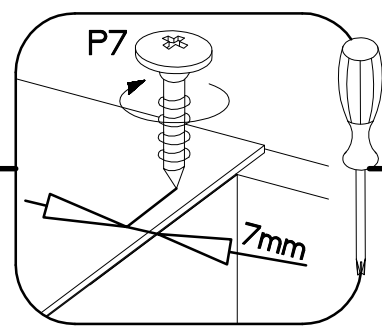
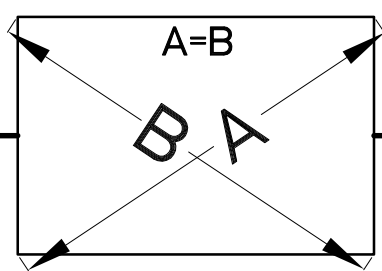
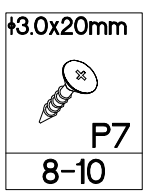


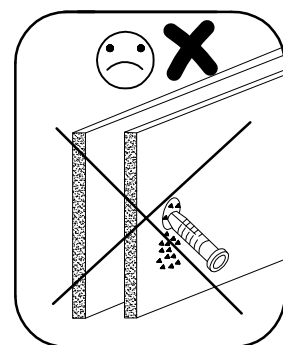
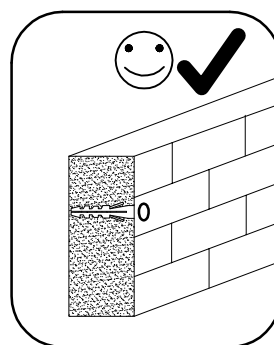
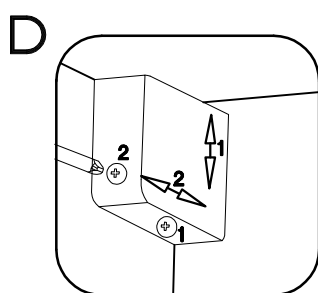
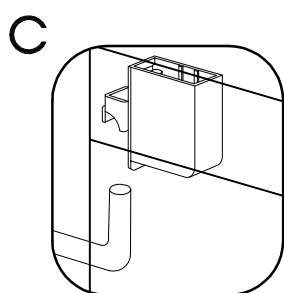
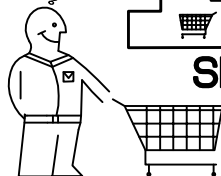
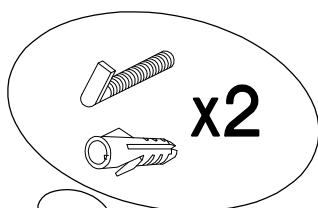
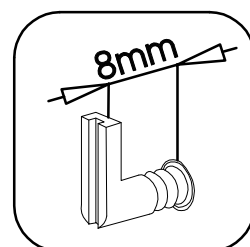
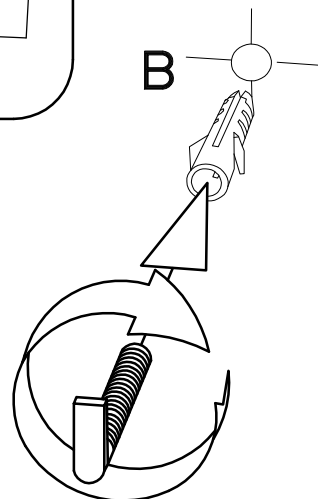
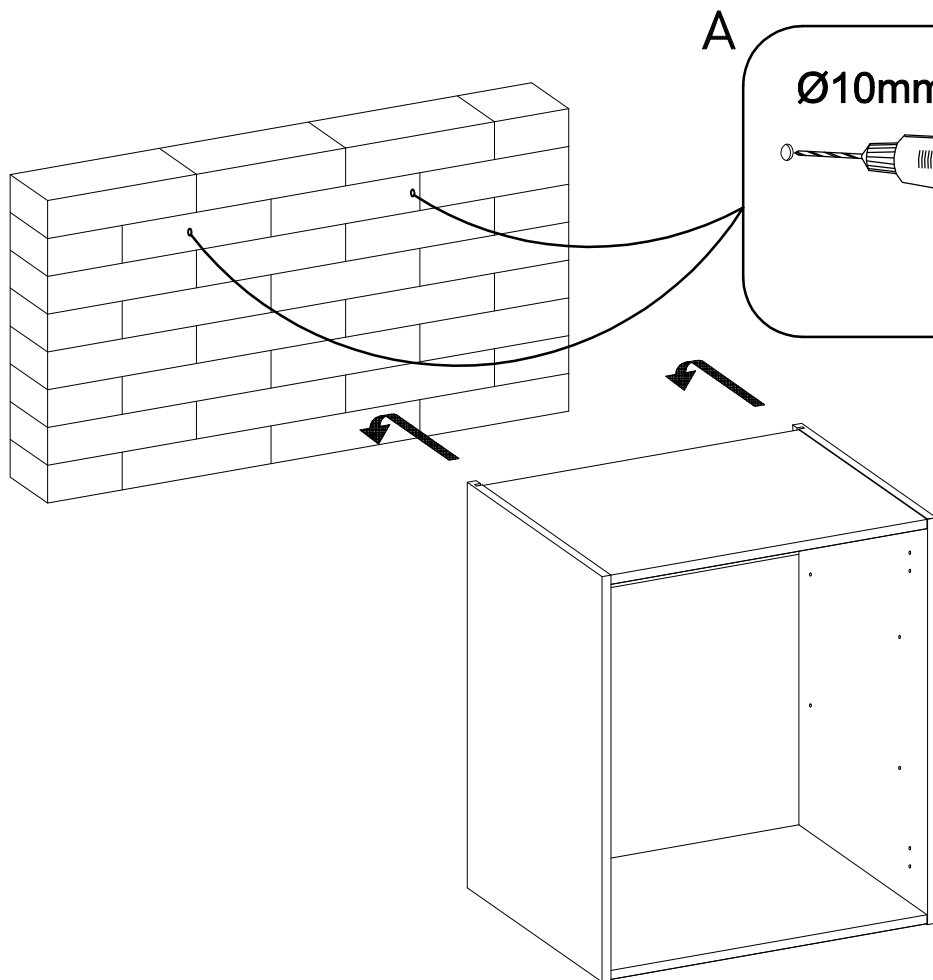
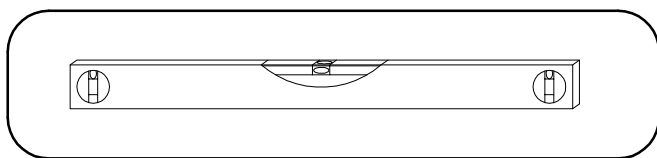
6,4 x 50mm		
		
B	O	E1
4	1	4

4

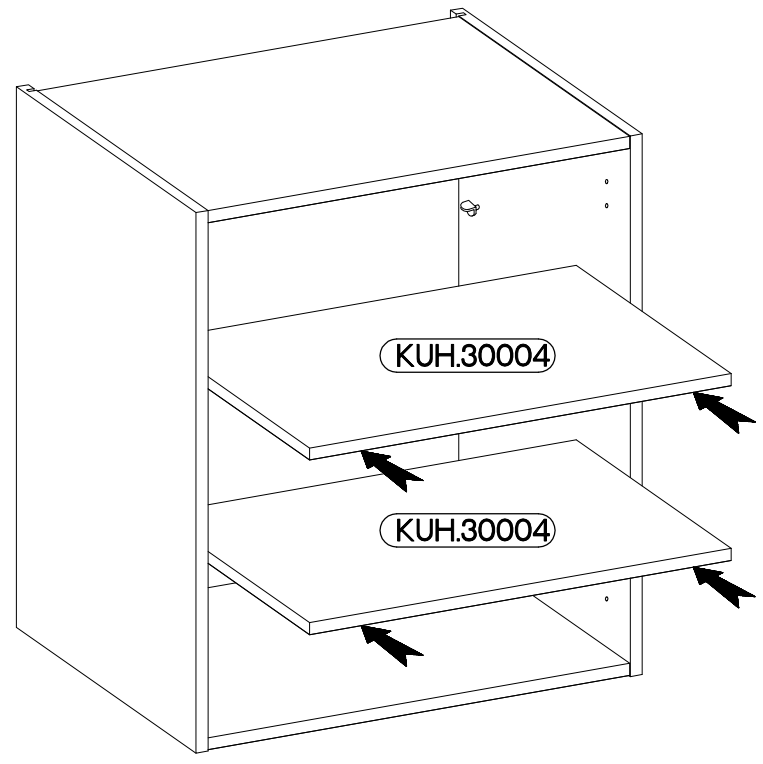
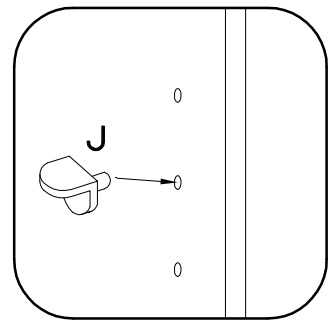
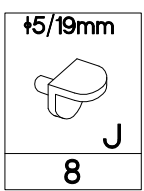


5



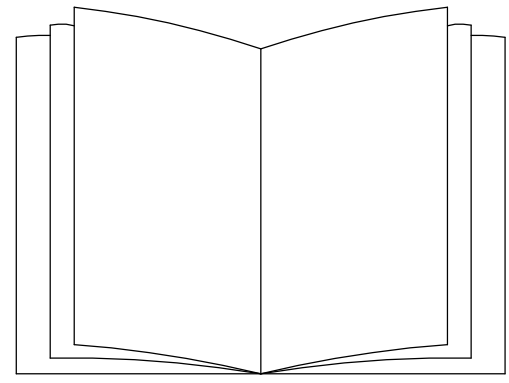
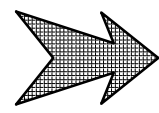
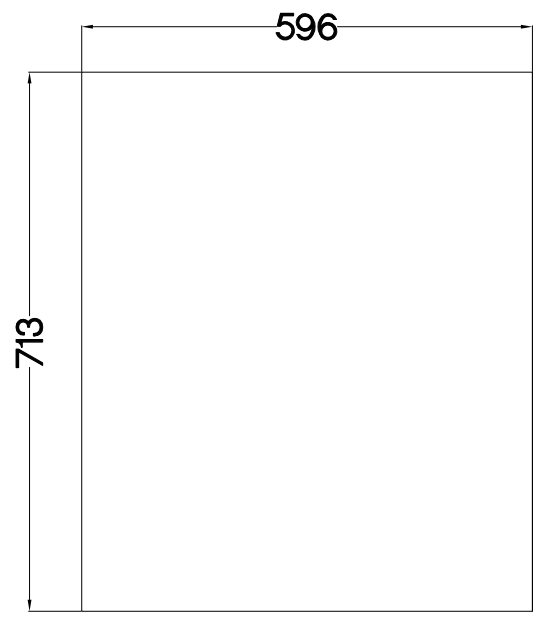


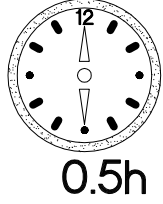
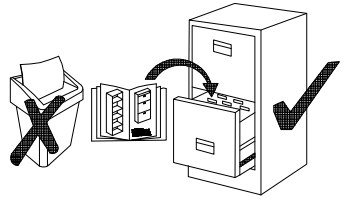
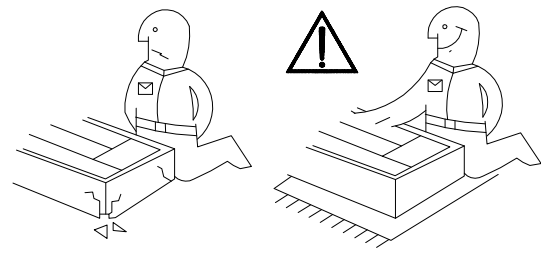
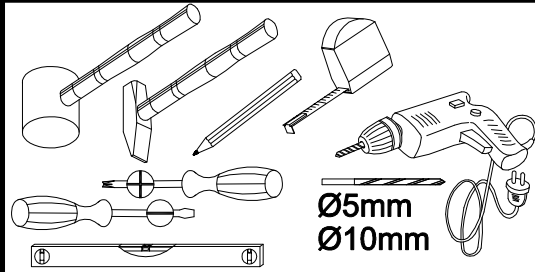
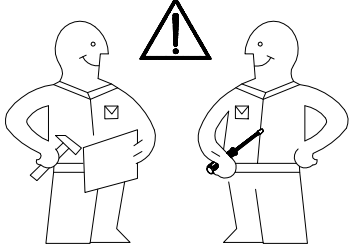
7



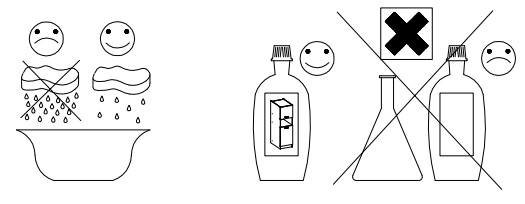
8

FRONT

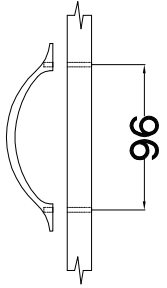
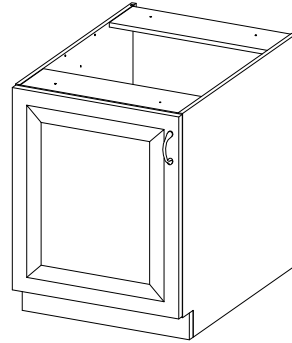
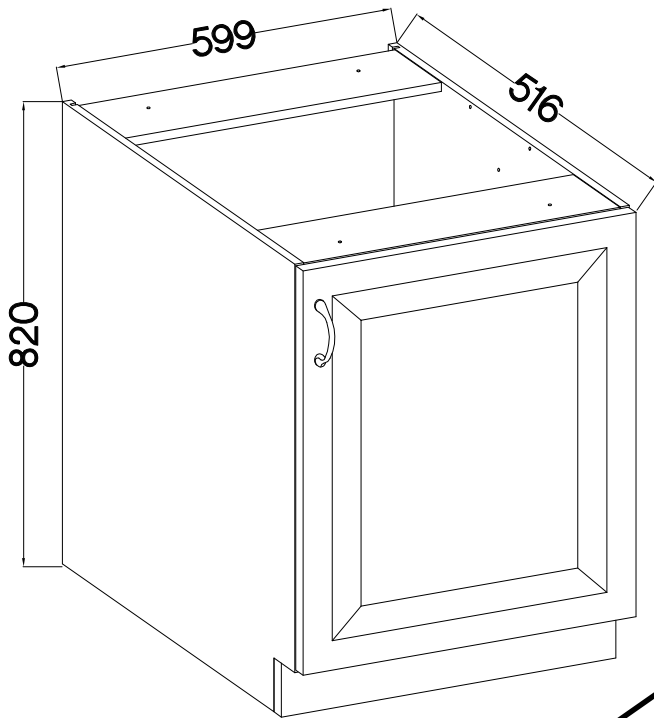




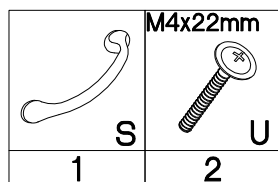
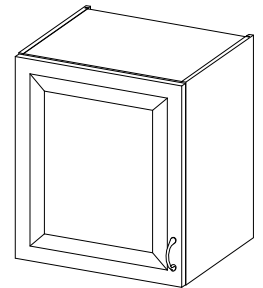
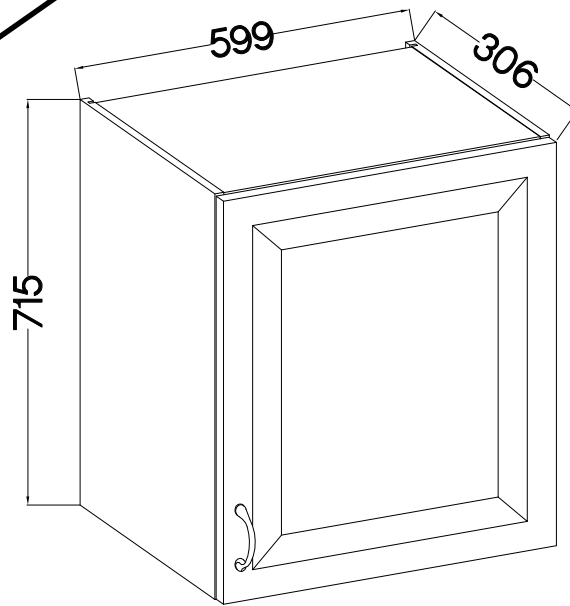
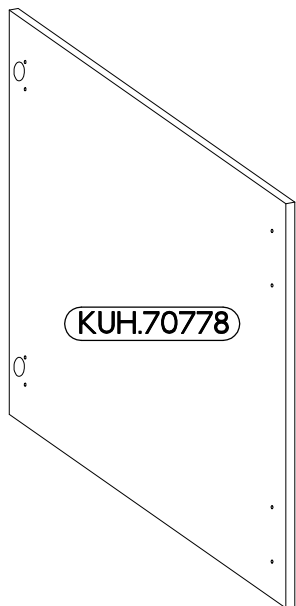
FRONT



60 D 1F BB



60 G-72 1F



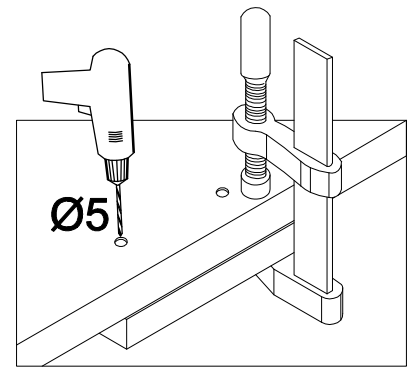
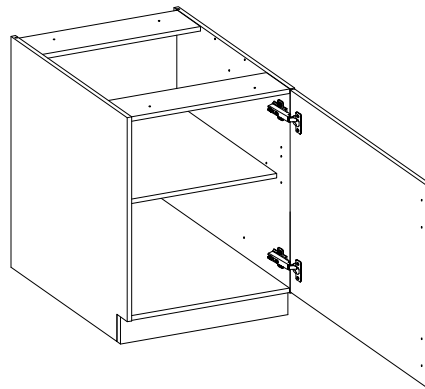
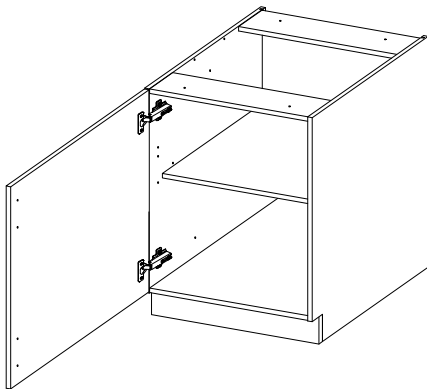
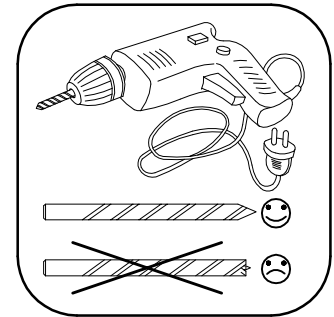
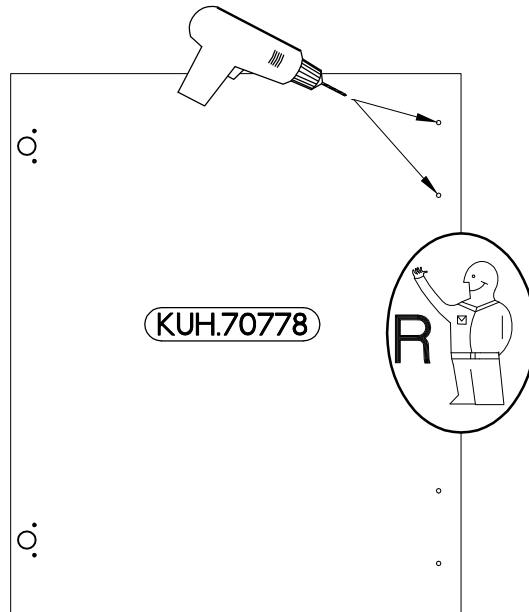
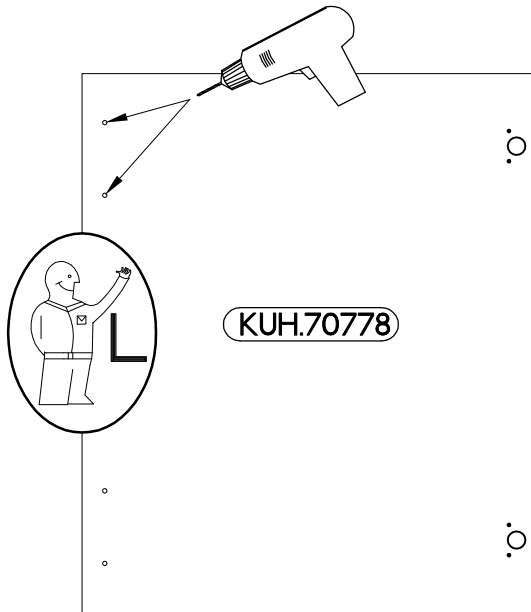
ISM-KUH-01192

1

60 D 1F BB

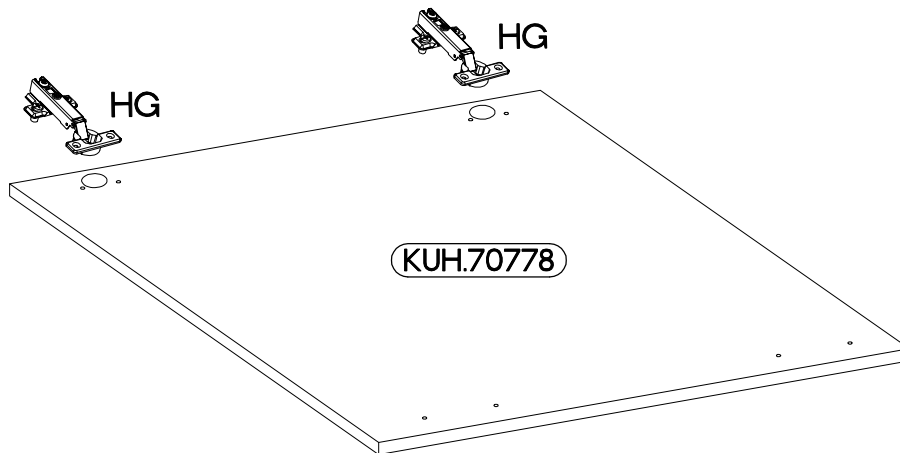
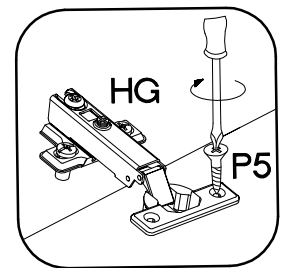
LEFT

RIGHT



2

±35/0mm	±3.5x13mm
HG	P5
2	4



M4x22mm



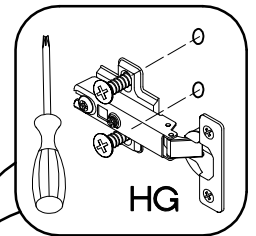
U

2

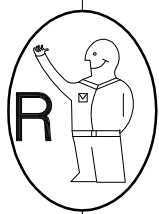


S

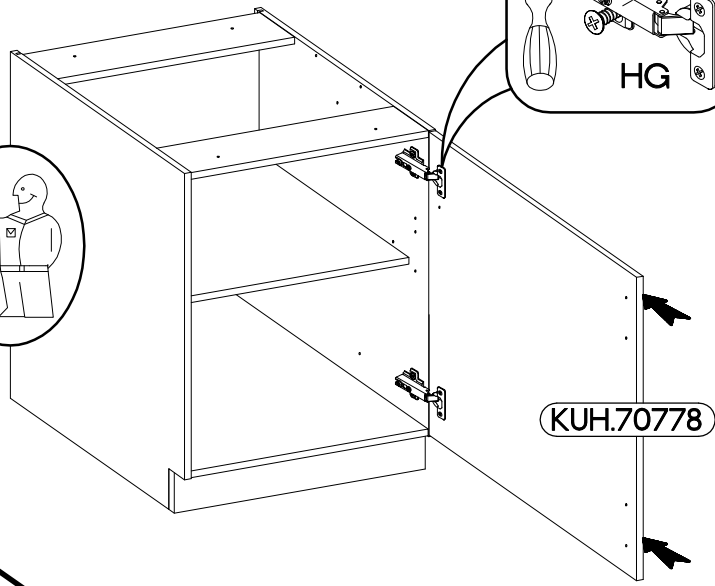
1



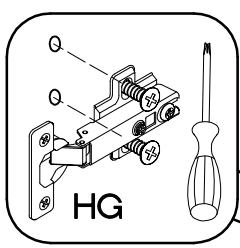
HG



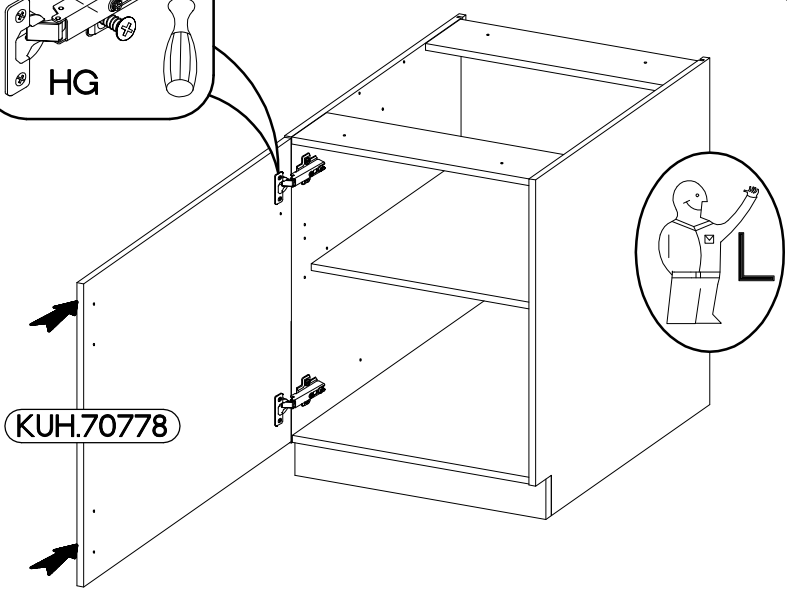
R



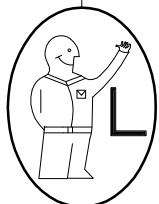
KUH.70778



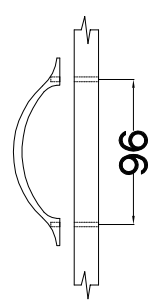
HG



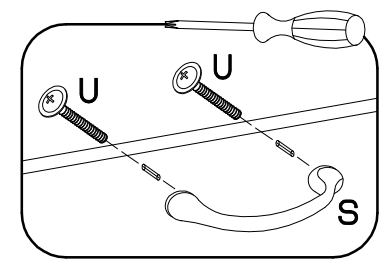
KUH.70778



L

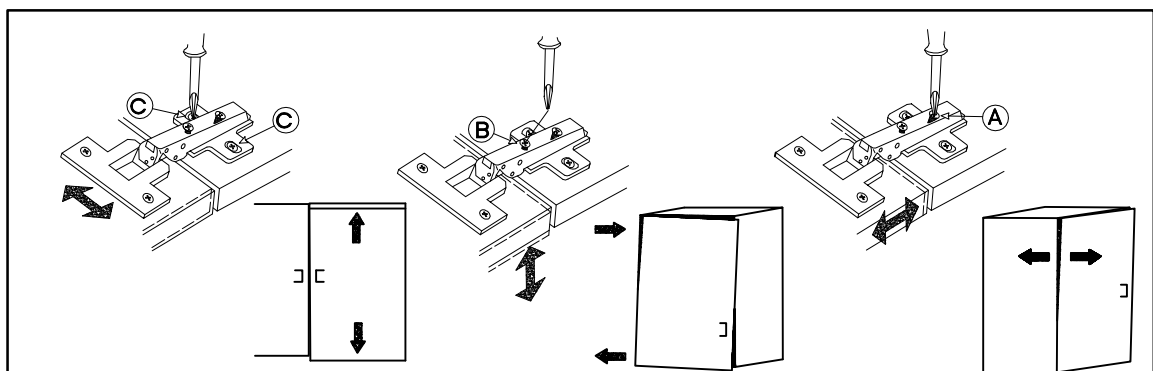


96

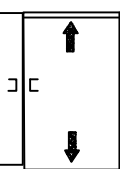


U

S

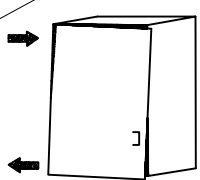


C



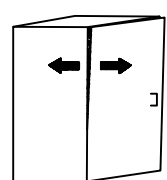
C

B



B

A



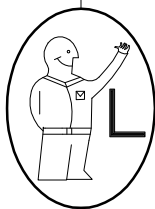
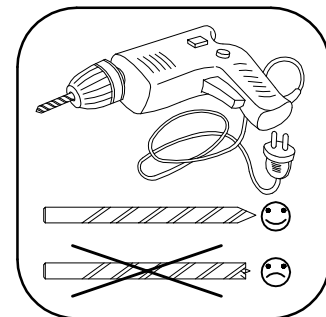
A

4

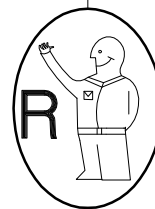
60 G-72 1F

LEFT

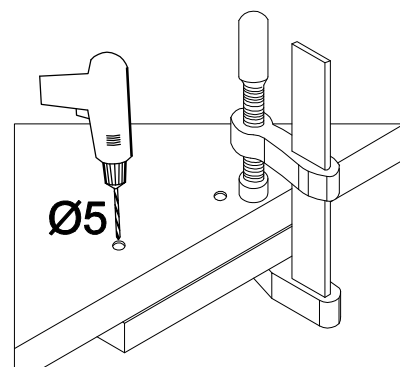
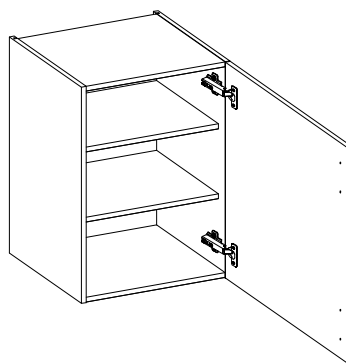
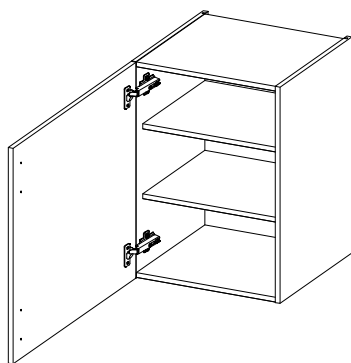
RIGHT





KUH.70778

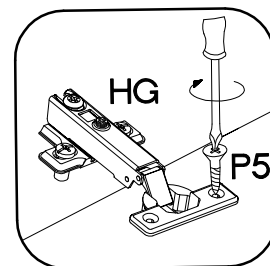
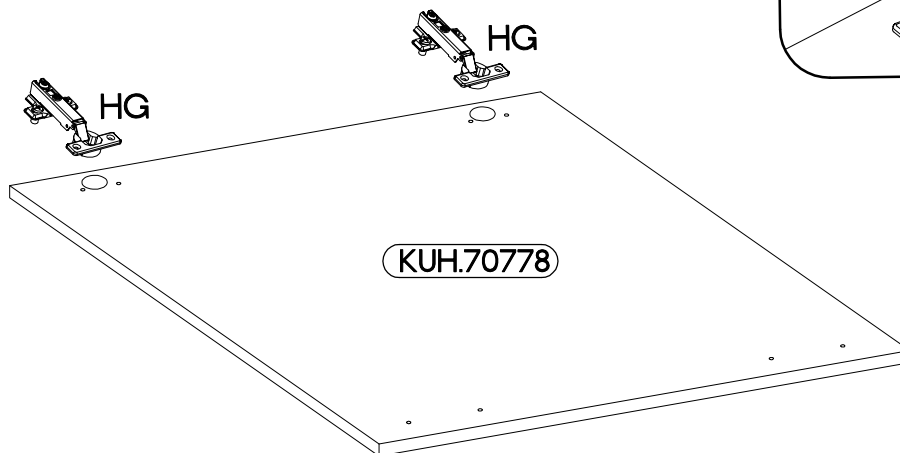


KUH.70778



5

 HG 2	 P5 4
------------------------------------------------------------------------------------------------	------------------------------------------------------------------------------------------------



6

M4x22mm



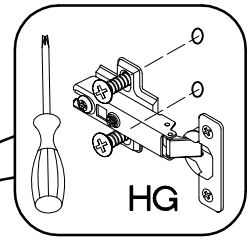
U

2

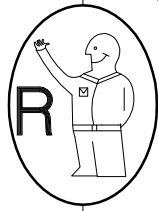


S

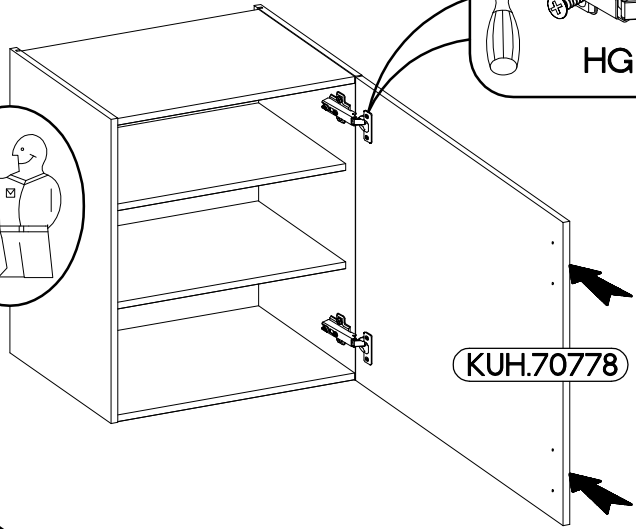
1



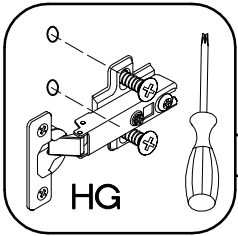
HG



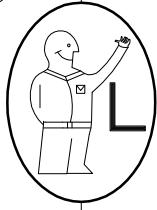
R



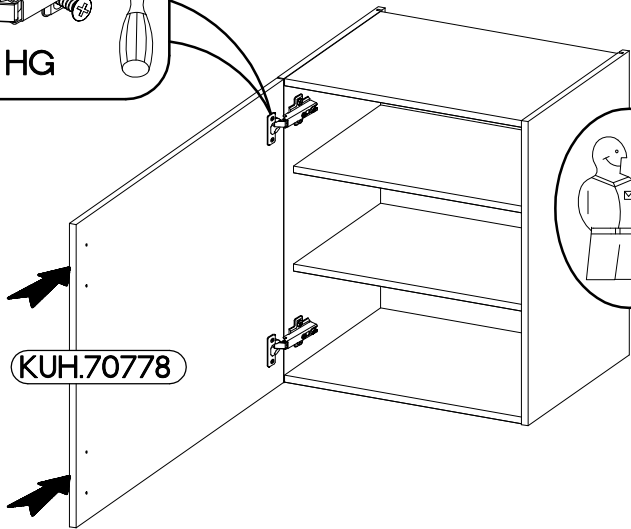
KUH.70778



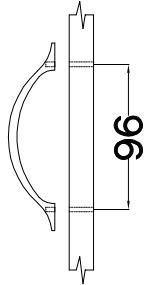
HG



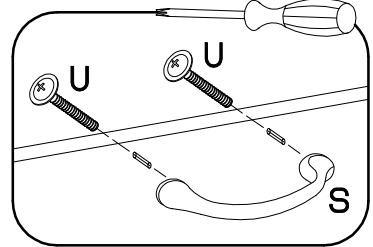
L



KUH.70778

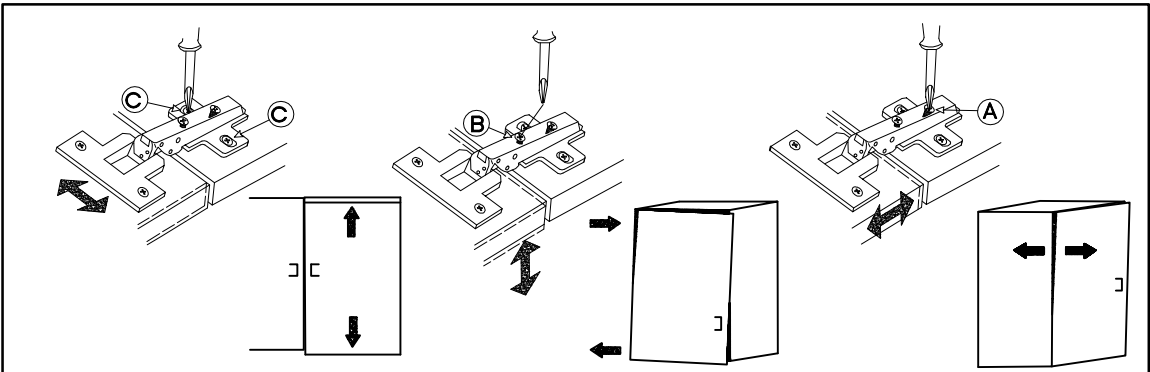


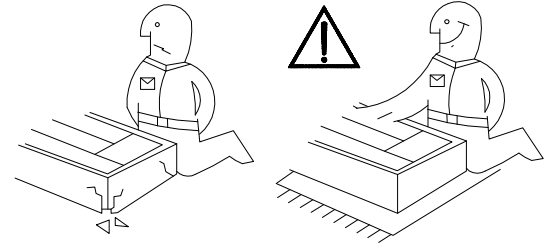
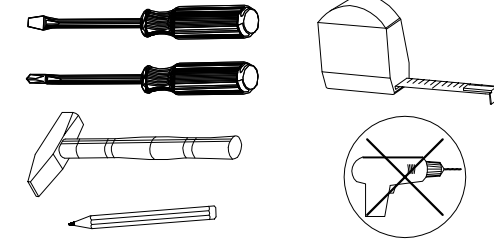
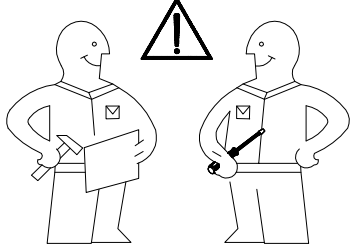
96



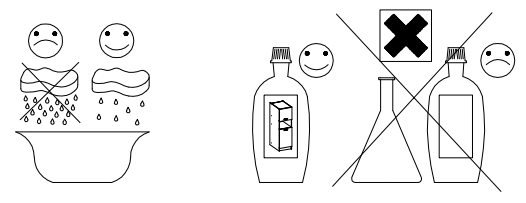
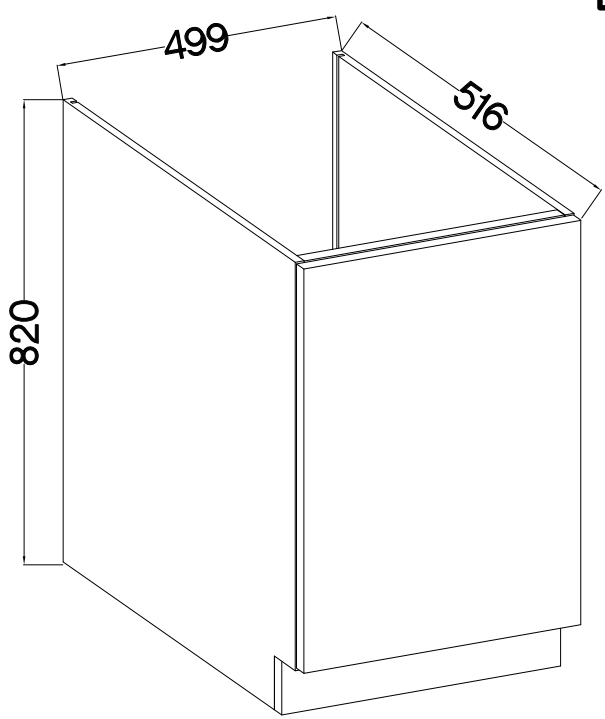
U

S

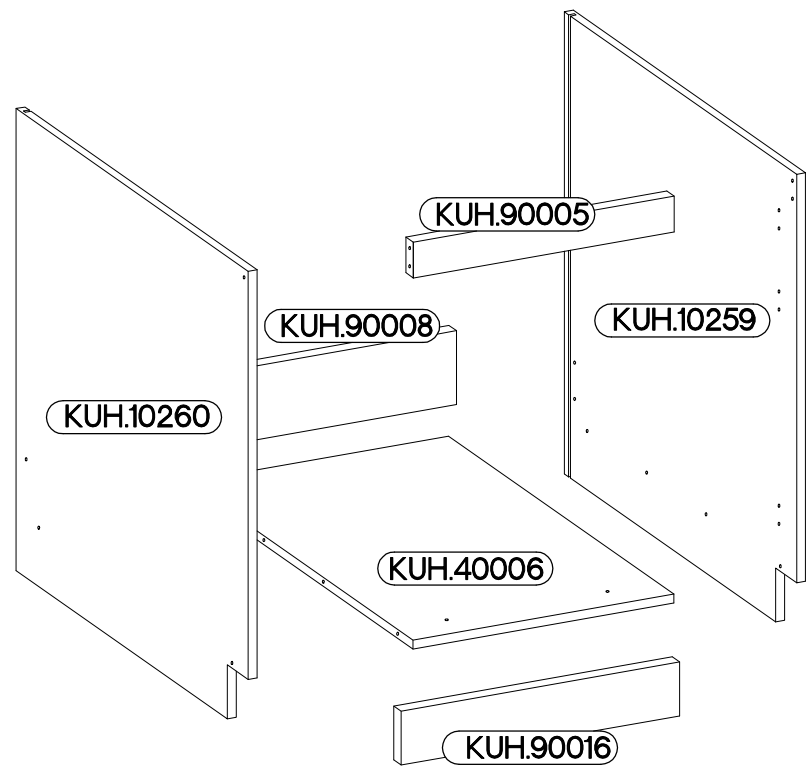
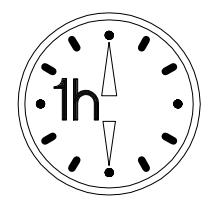




50 ZL 1F BB

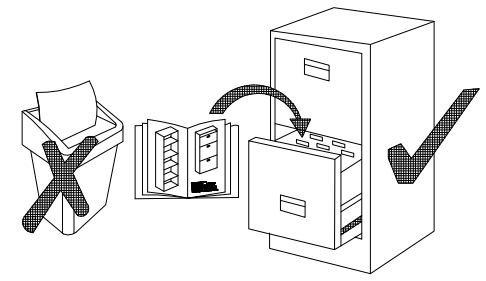


KUH.40006

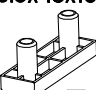
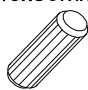


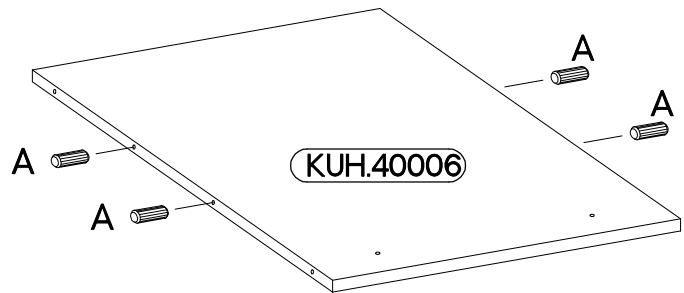
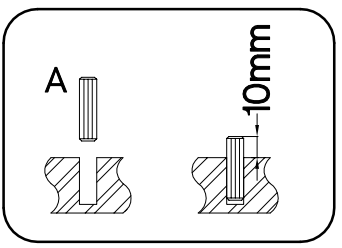
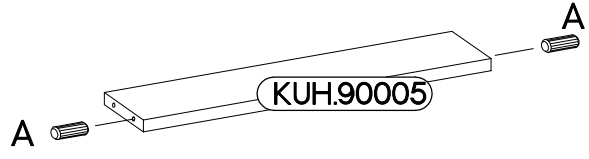
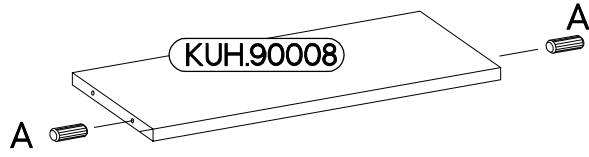
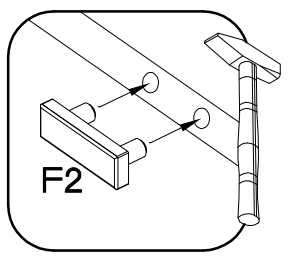
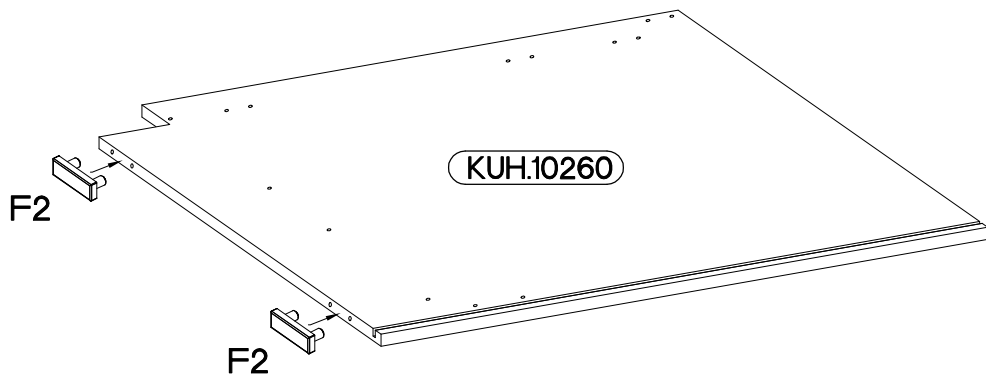
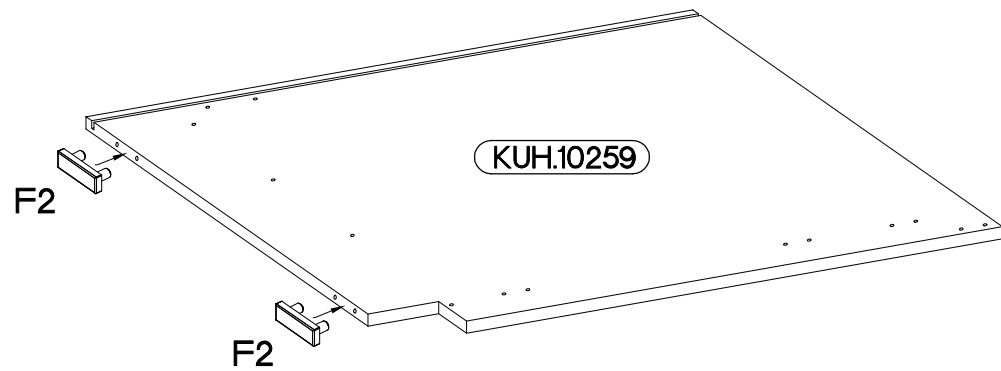
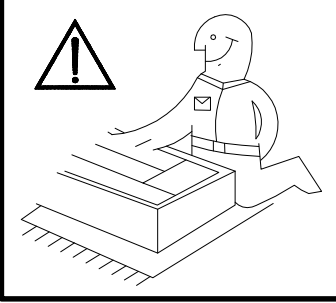
$\pm 8 \times 30 \text{mm}$	$6,4 \times 50 \text{mm}$
A	B
8	8

E1	E9	F2	HG	O	P4	P5
8	2	4	2	1	2	4

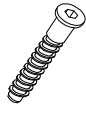
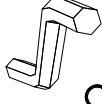



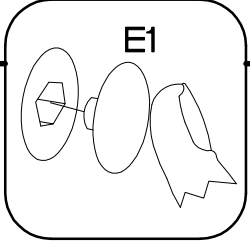
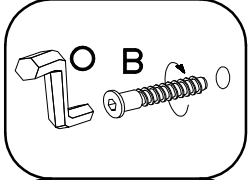
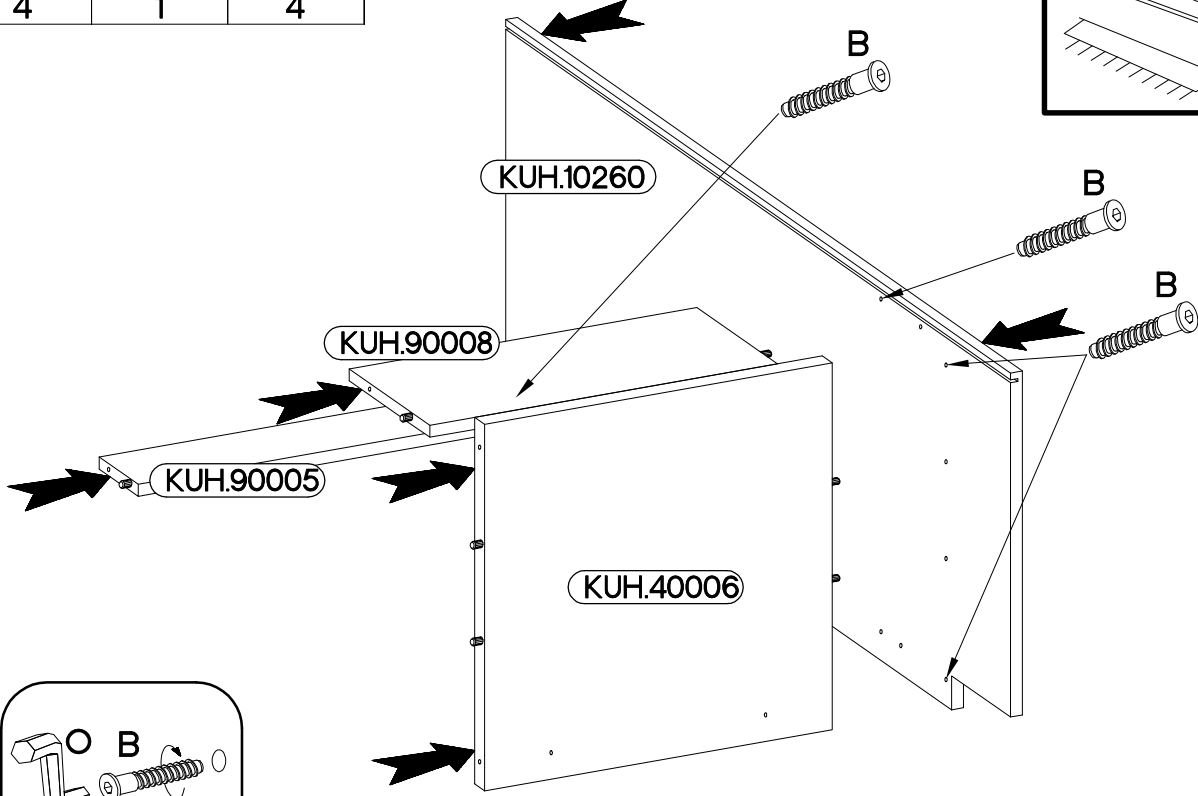
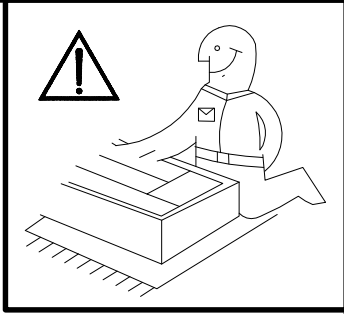
ISM-KUH-01126

6.5x48x16  F2 4	+8x30mm  A 8
----------------------------------------------------------------------------------------------------------	-------------------------------------------------------------------------------------------------------

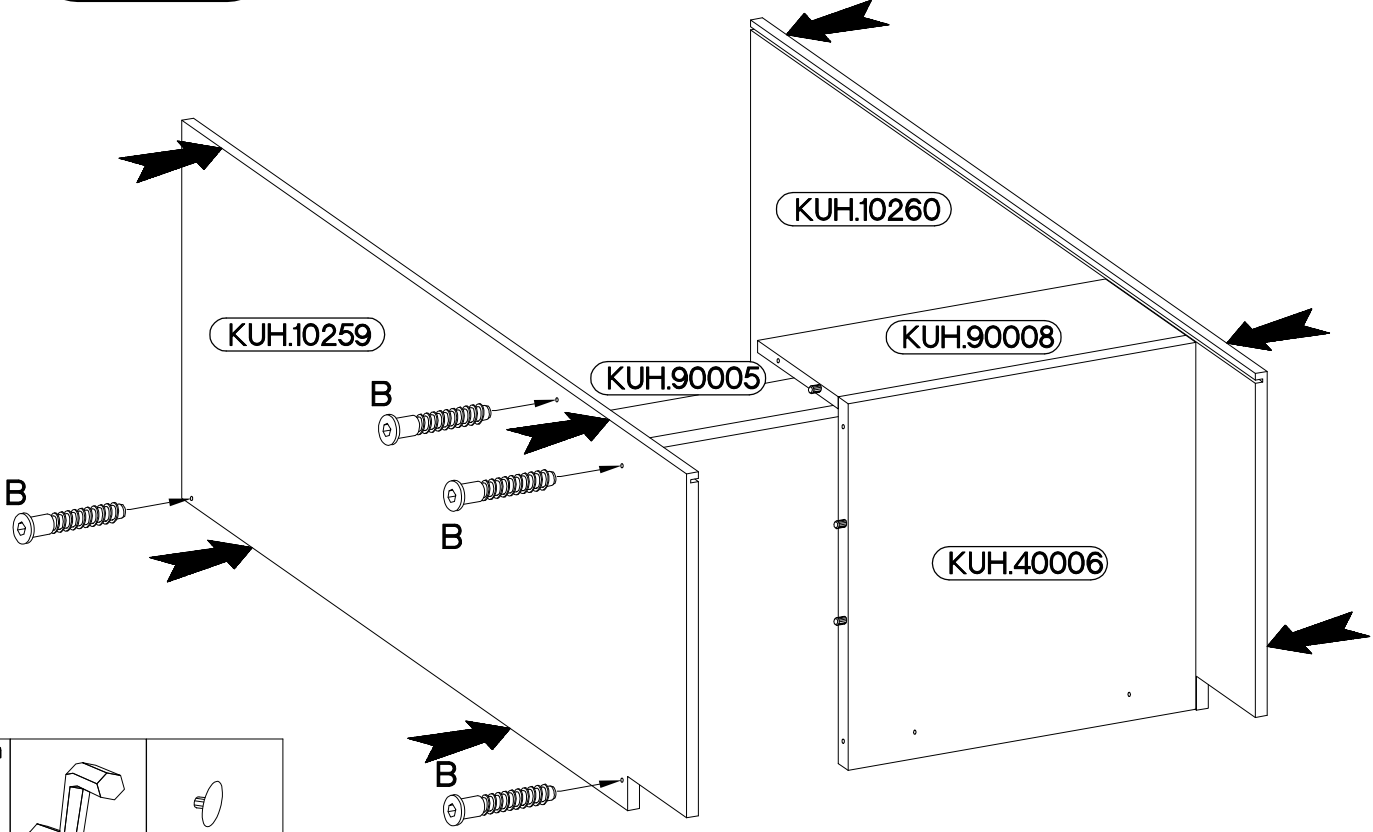



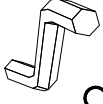

2

6,4 x 50mm		
		
B	O	E1
4	1	4





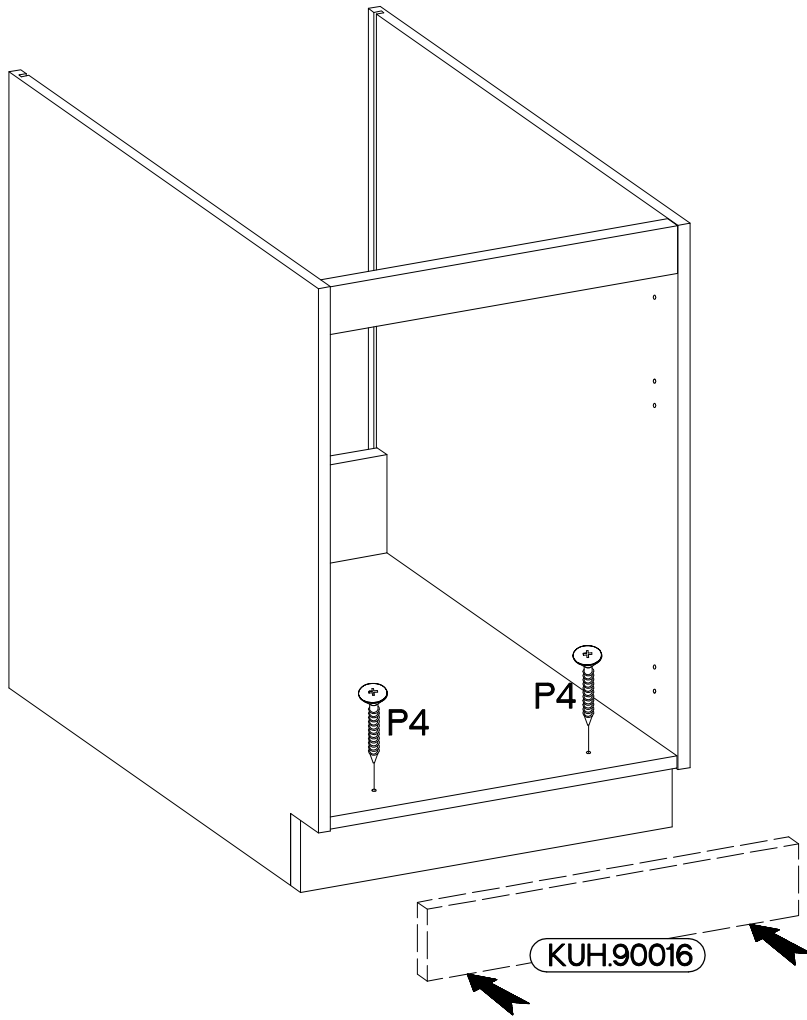
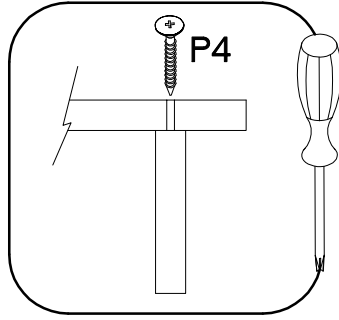
3



6,4 x 50mm		
		
B	O	E1
4	1	4

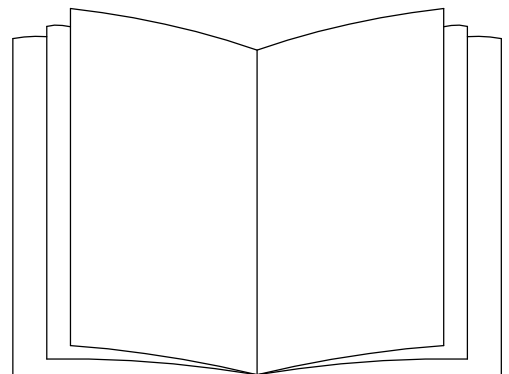
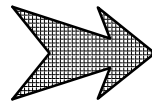
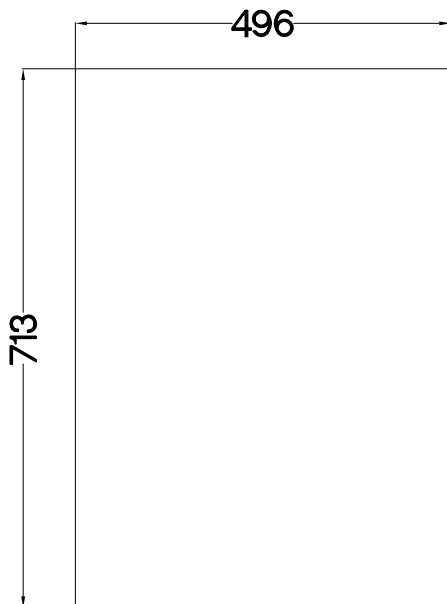
4

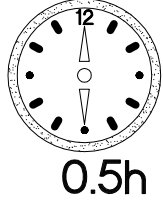
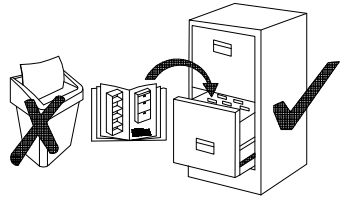
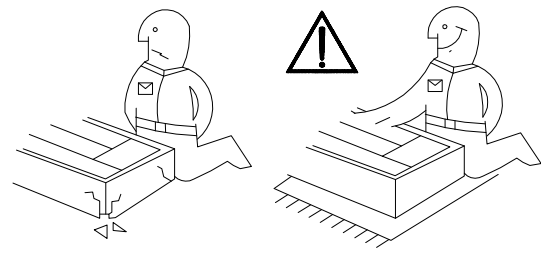
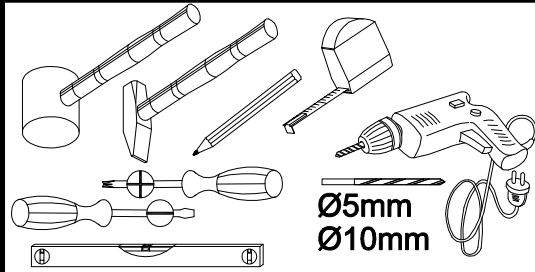
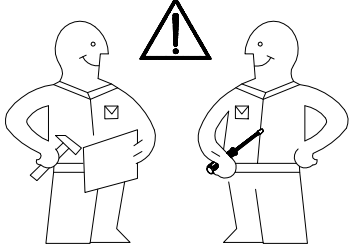
4.0x45mm	
	E9
P4	E9
2	2



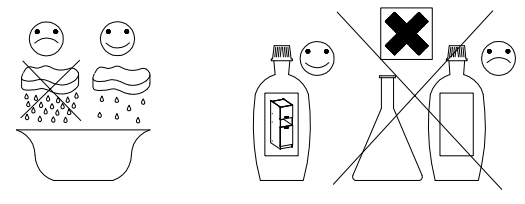
5

FRONT

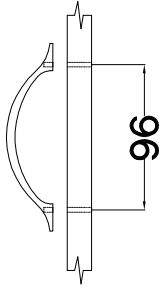
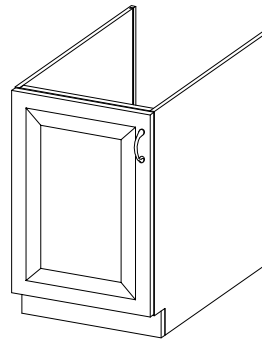
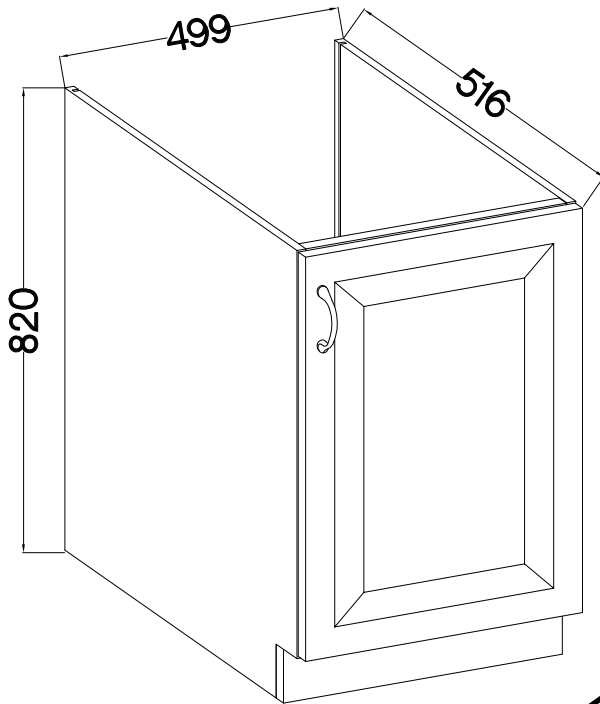




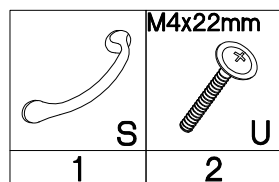
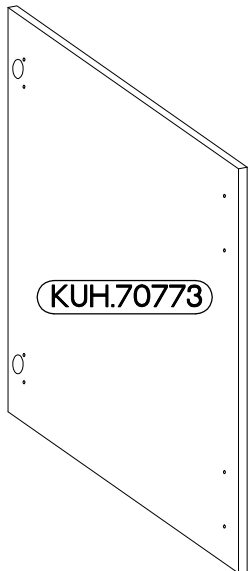
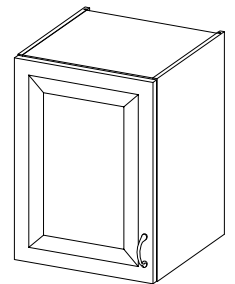
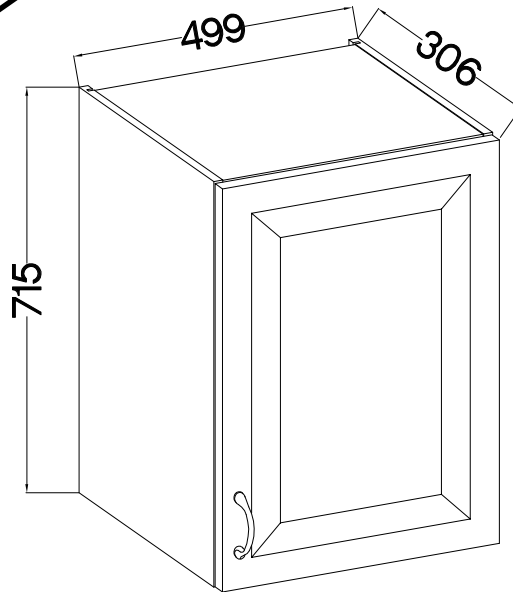
FRONT



50 ZL 1F BB



50 G-72 1F



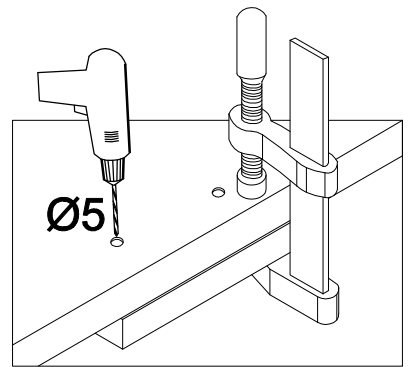
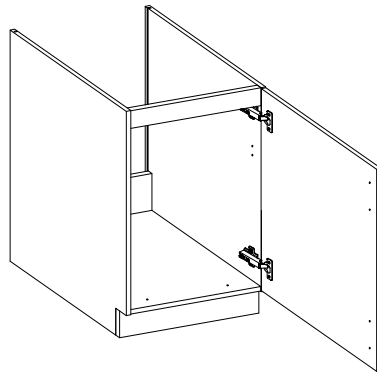
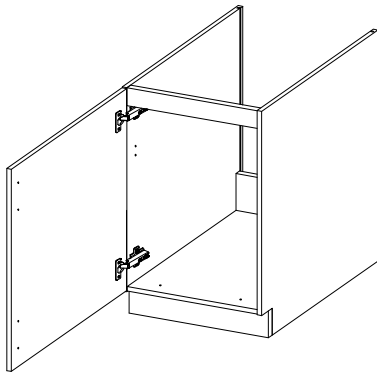
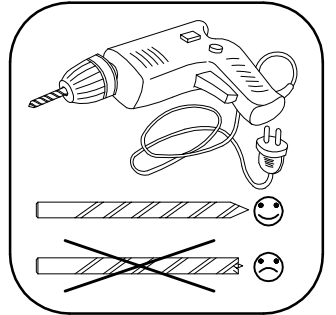
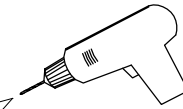
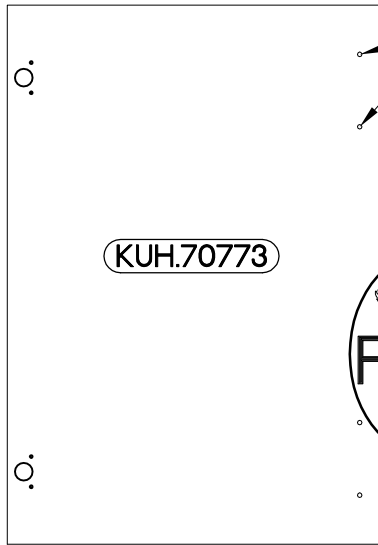
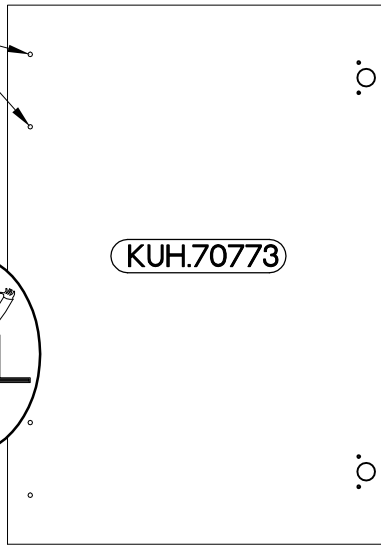
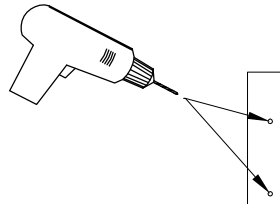
ISM-KUH-01191

1

50 ZL 1F BB

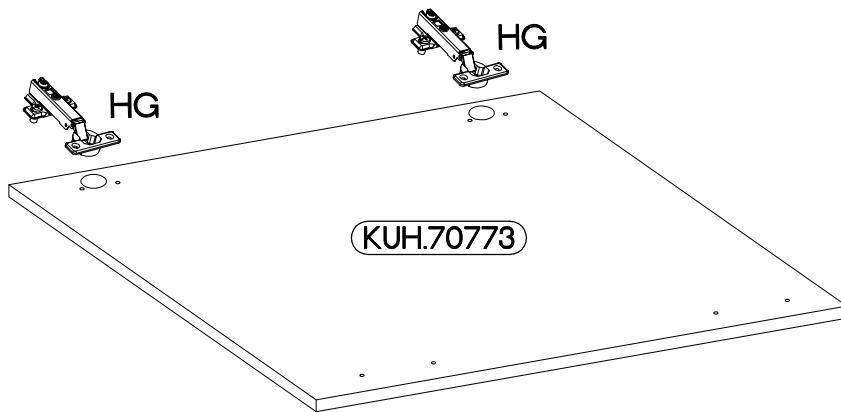
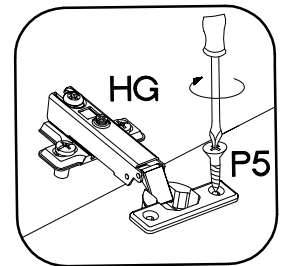
LEFT

RIGHT





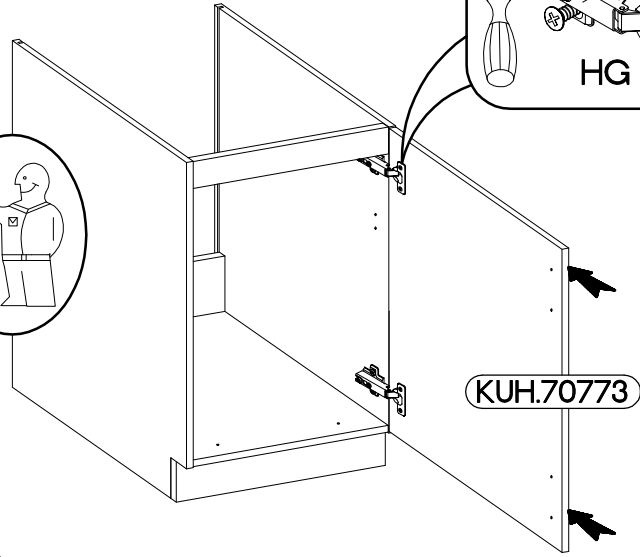
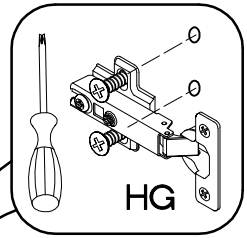
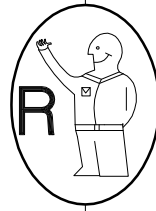
2

+35/0mm	+3.5x13mm
HG	P5
2	4

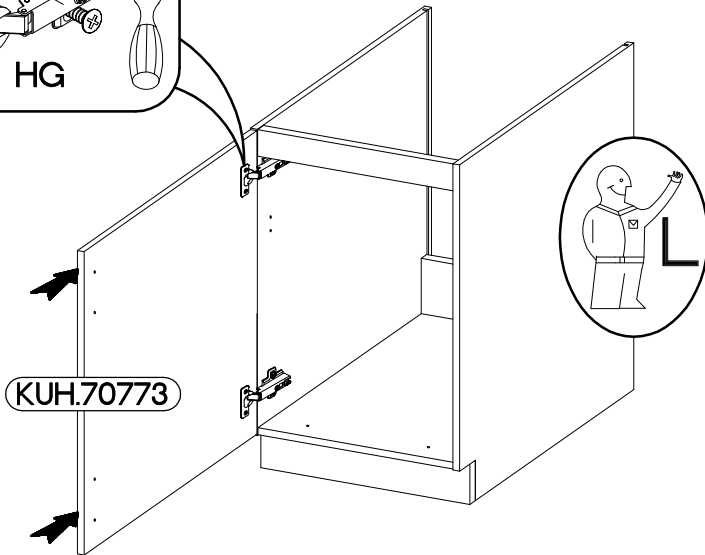
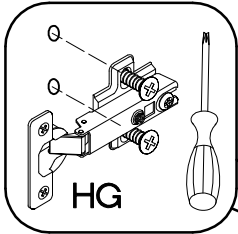


3

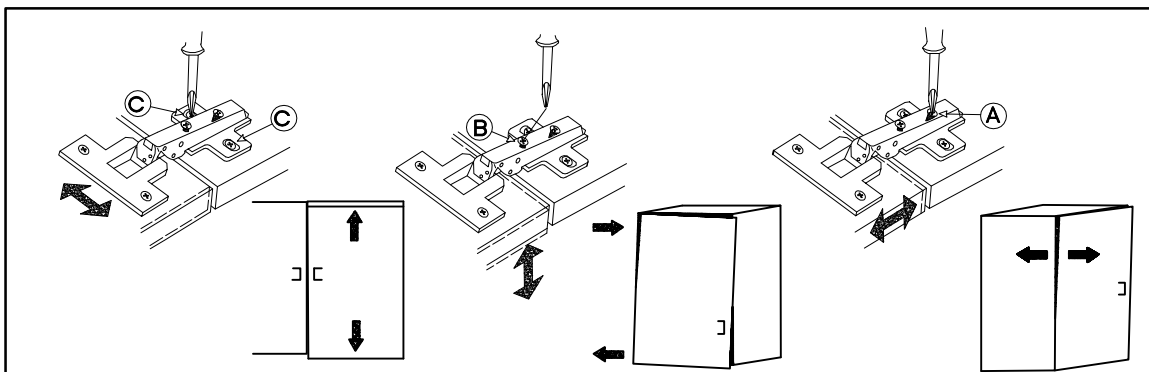
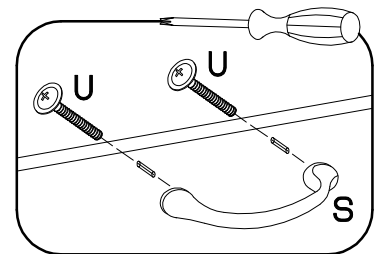
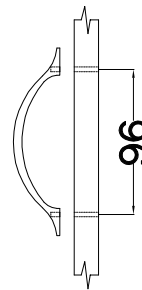
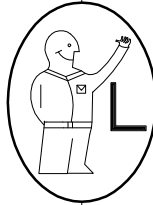
M4x22mm	
	
U	S
2	1



KUH.70773



KUH.70773

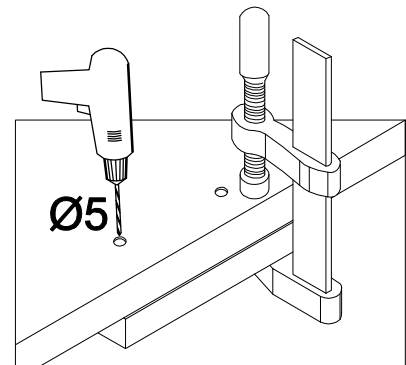
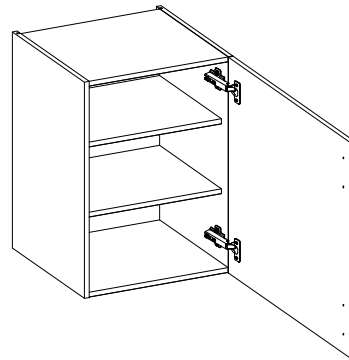
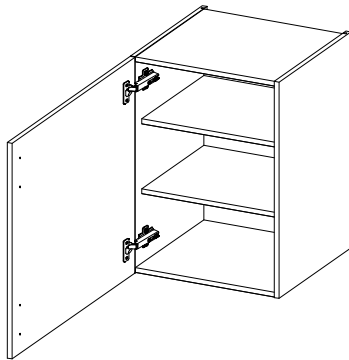
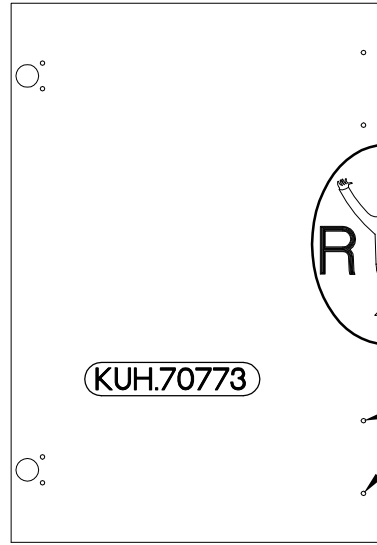
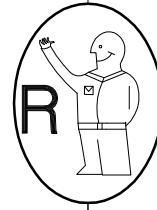
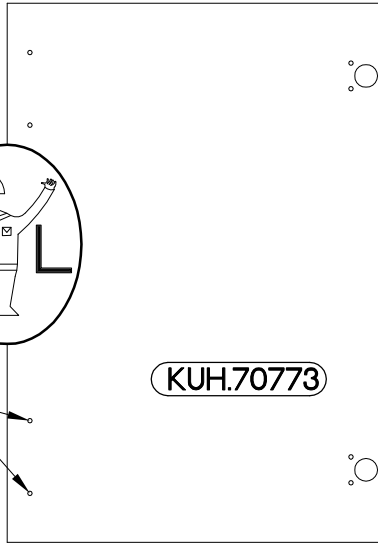
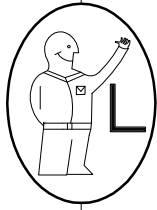
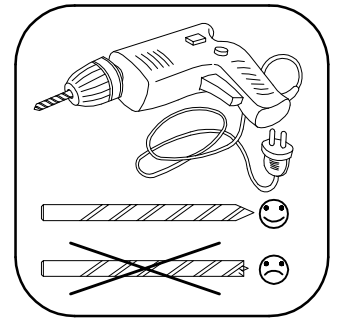


4



50 G-72 1F

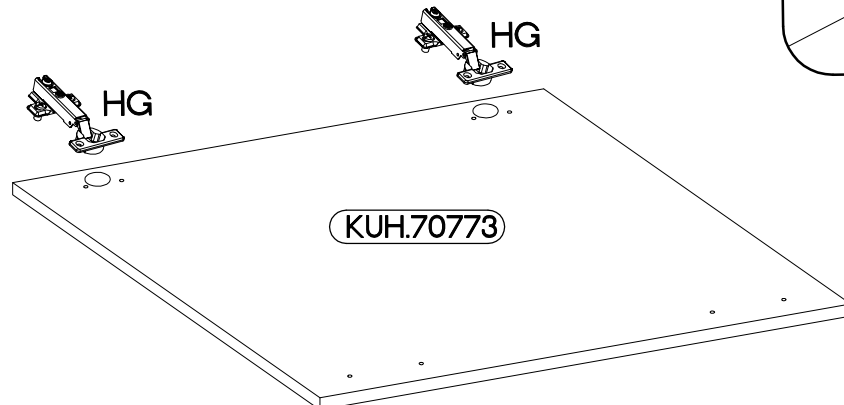
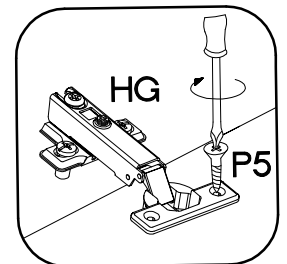
LEFT

RIGHT



5

 HG 2	 P5 4
------------------------------------------------------------------------------------------------	------------------------------------------------------------------------------------------------



6

M4x22mm



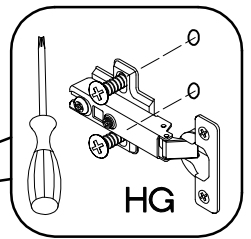
U

2

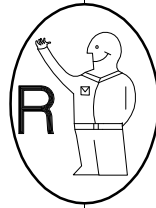


S

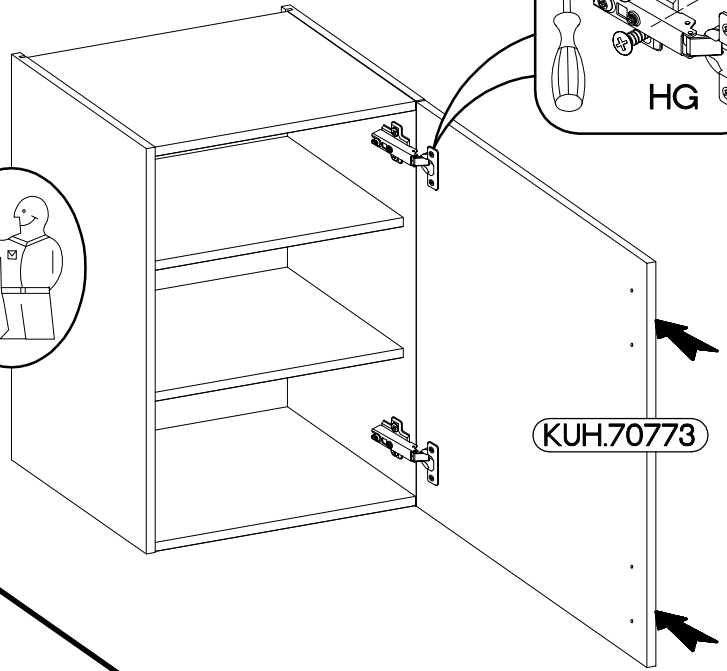
1



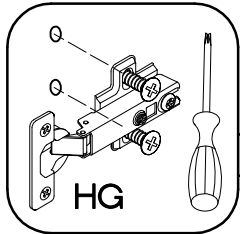
HG



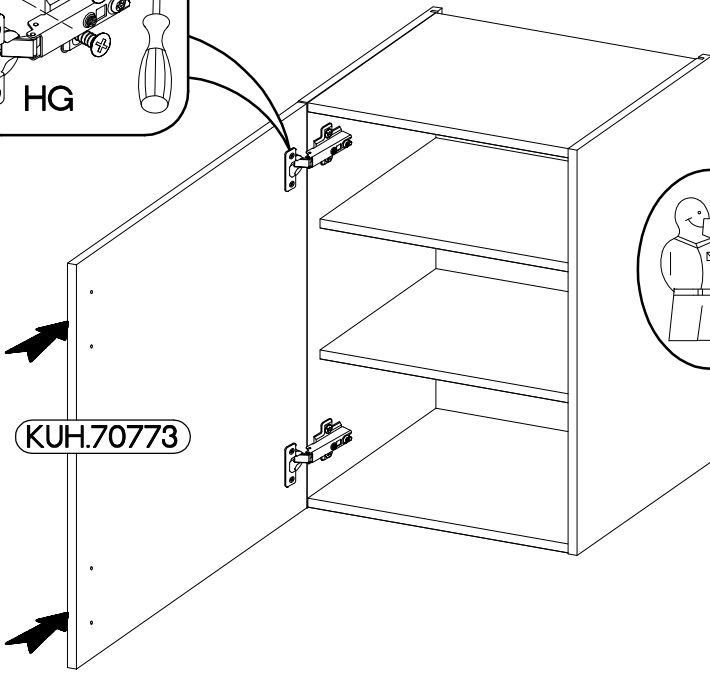
R



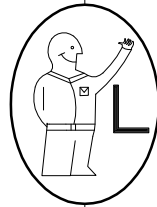
KUH.70773



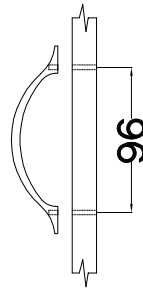
HG



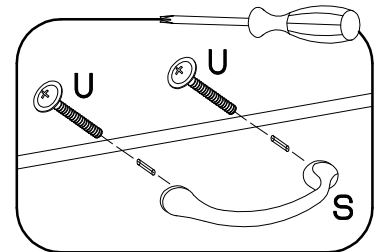
KUH.70773



L

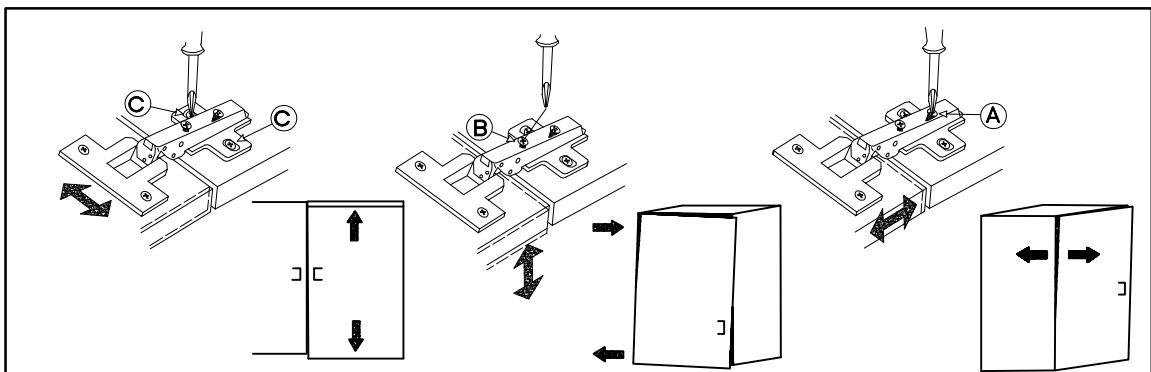


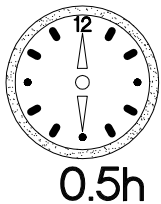
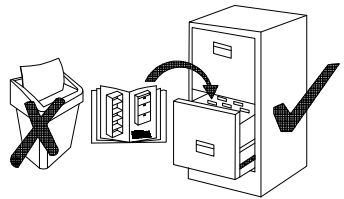
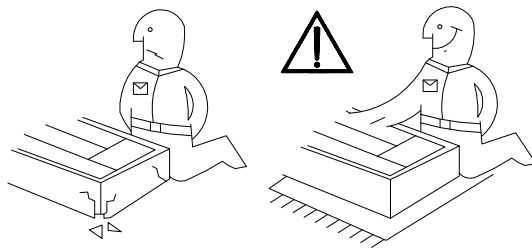
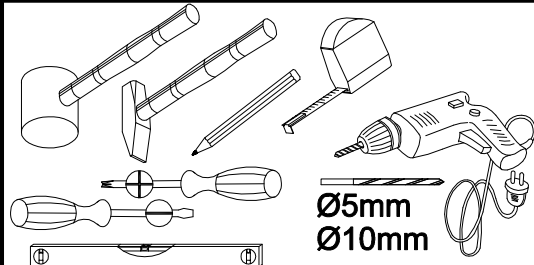
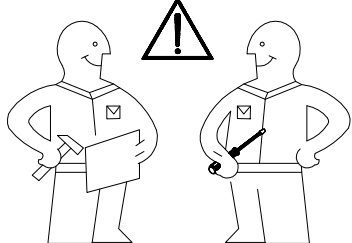
96



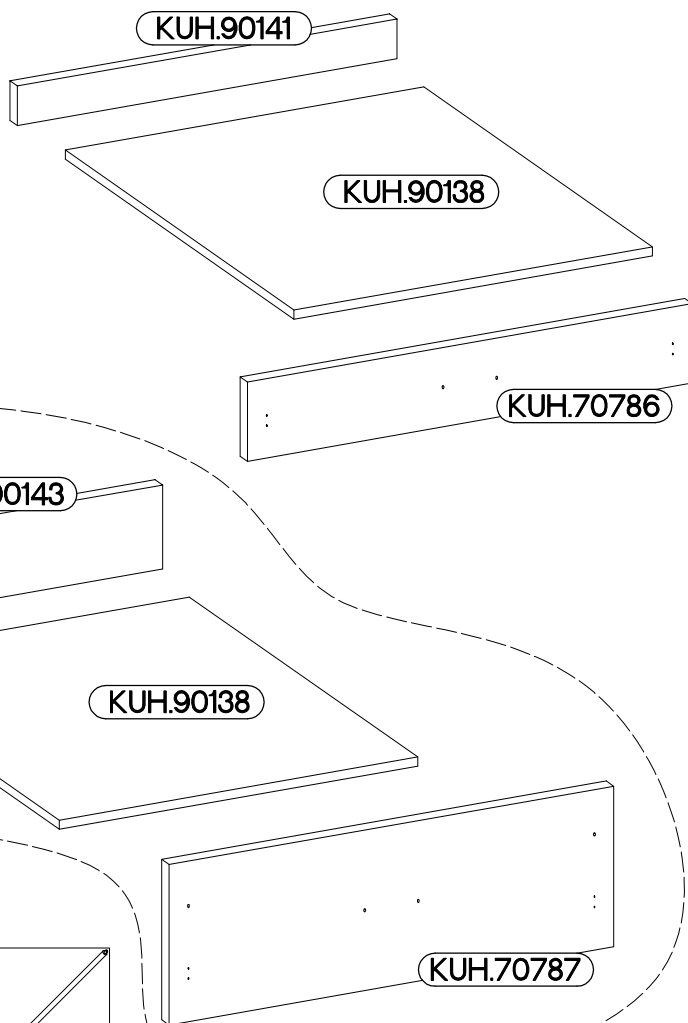
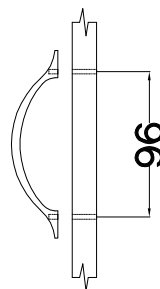
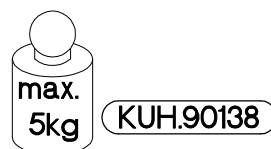
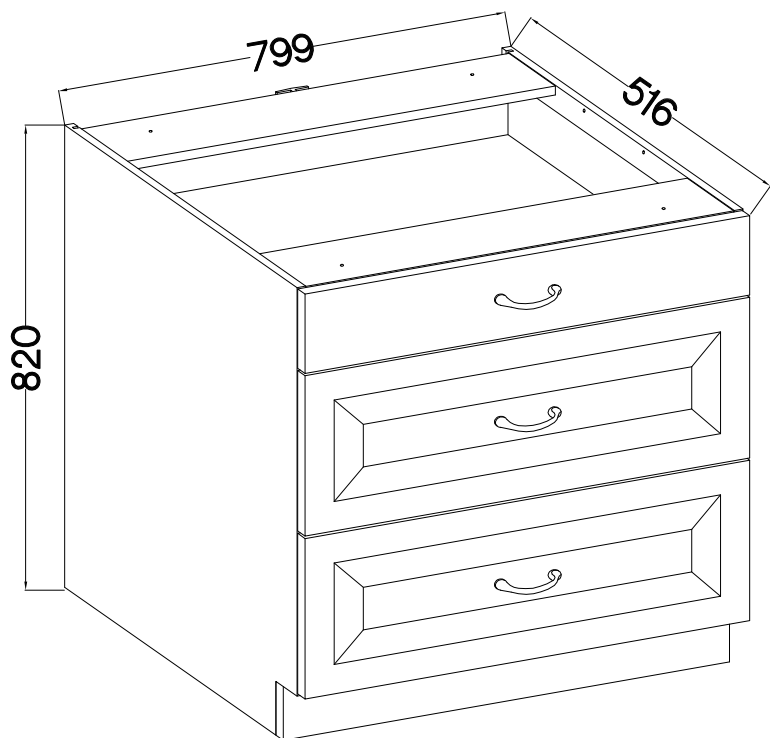
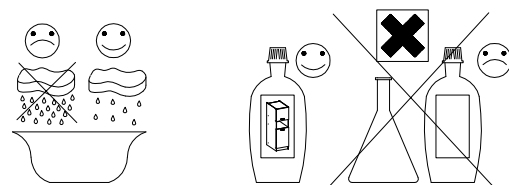
U

S





80 D 3S BB
Premium Box

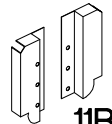
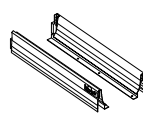
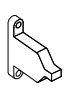
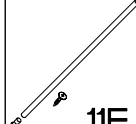



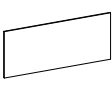


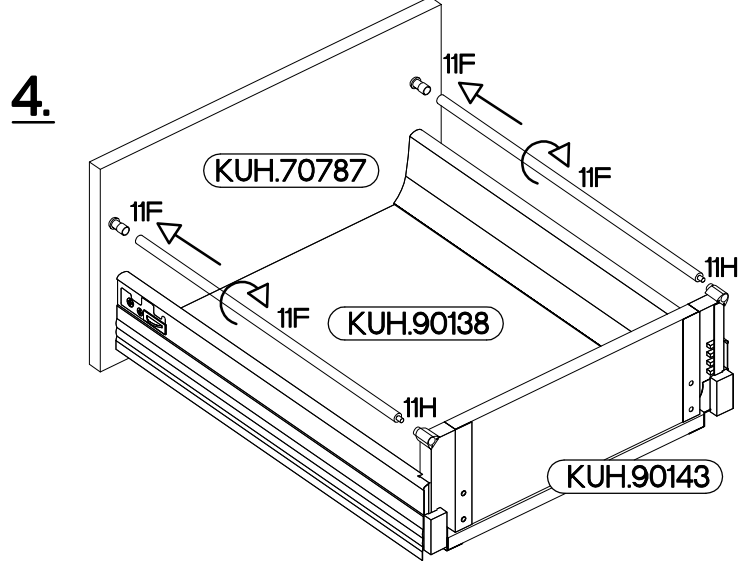
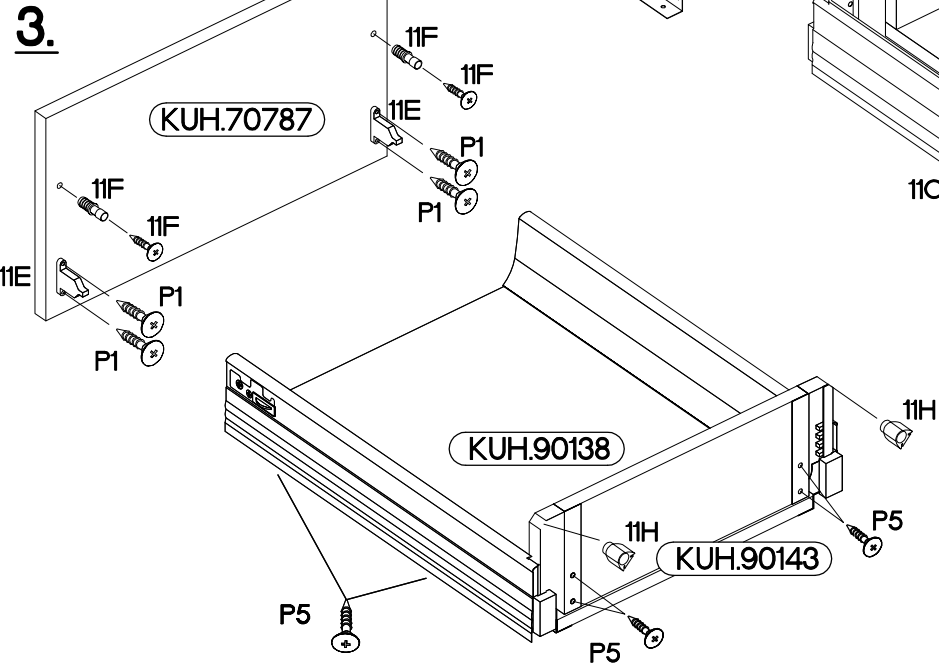
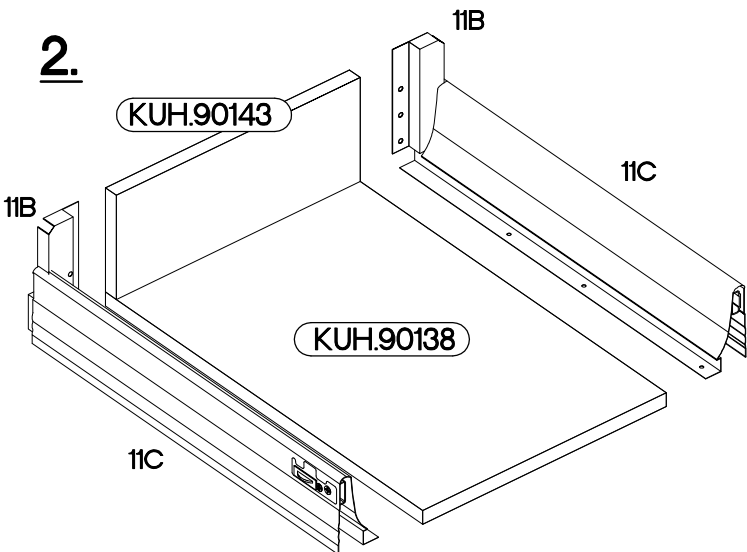
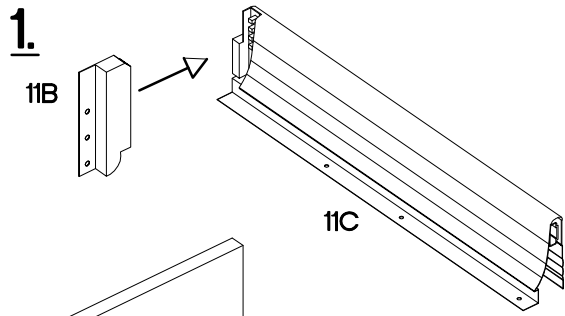
x2

3	2	3	1	6	4
6	4	+6.3x13mm	+4.0x16mm	+3.5x13mm	M4x22mm
		12	24	24	3
					6

ISM-KUH-01194

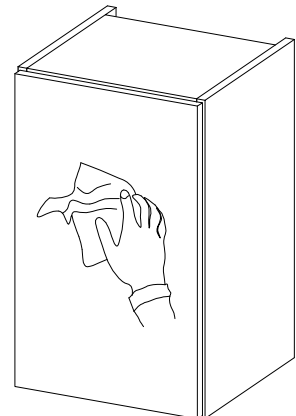
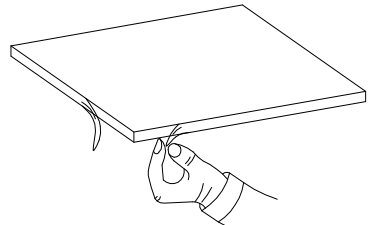
1

							
11B	11C	11E	11F	11H	P1	P5	11G
2	2	4	4	4	8	16	4

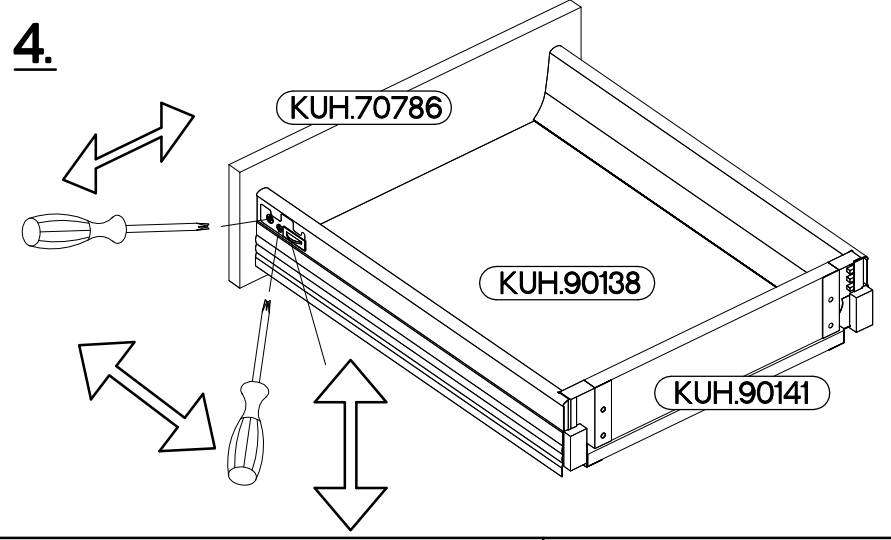
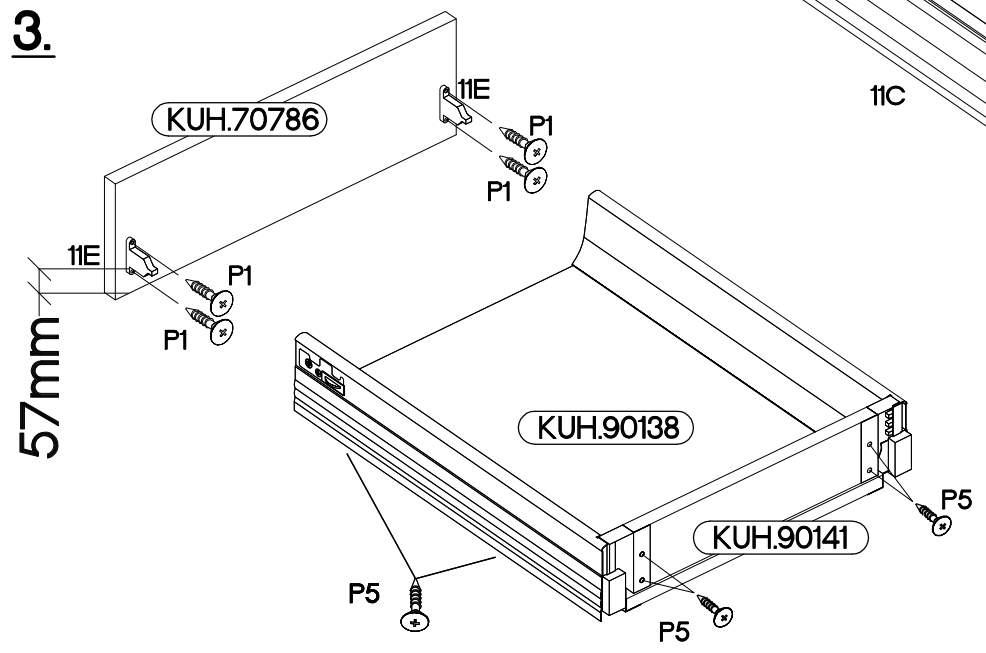
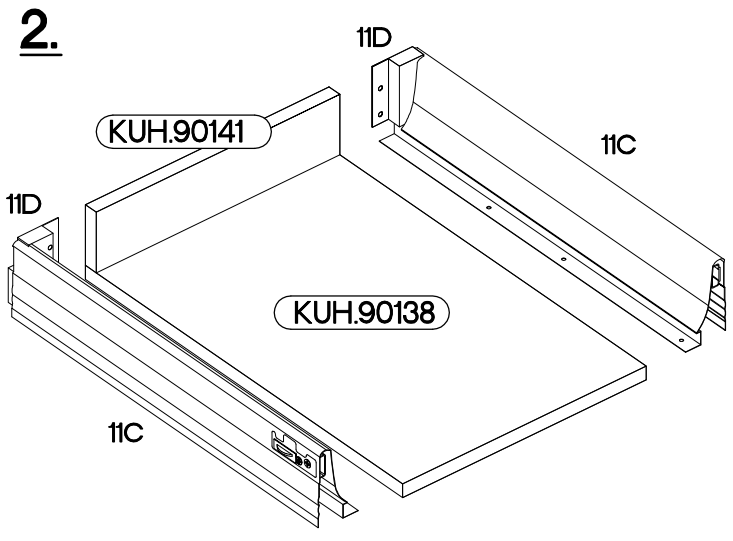
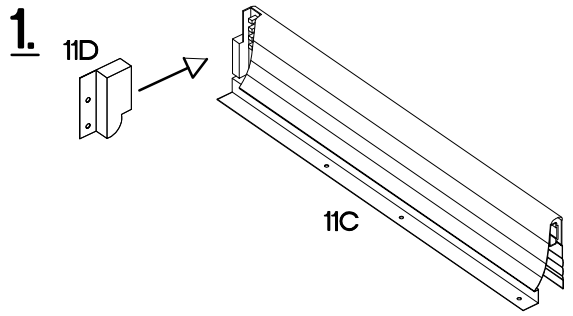


x2

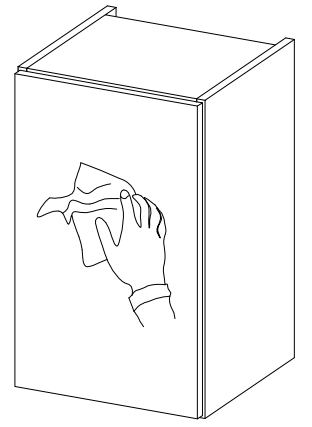
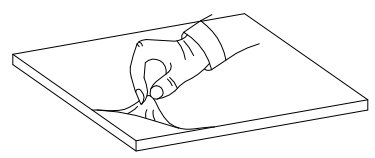
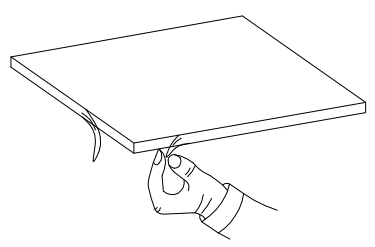
VARIANT HIGH GLOSS

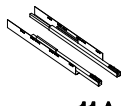




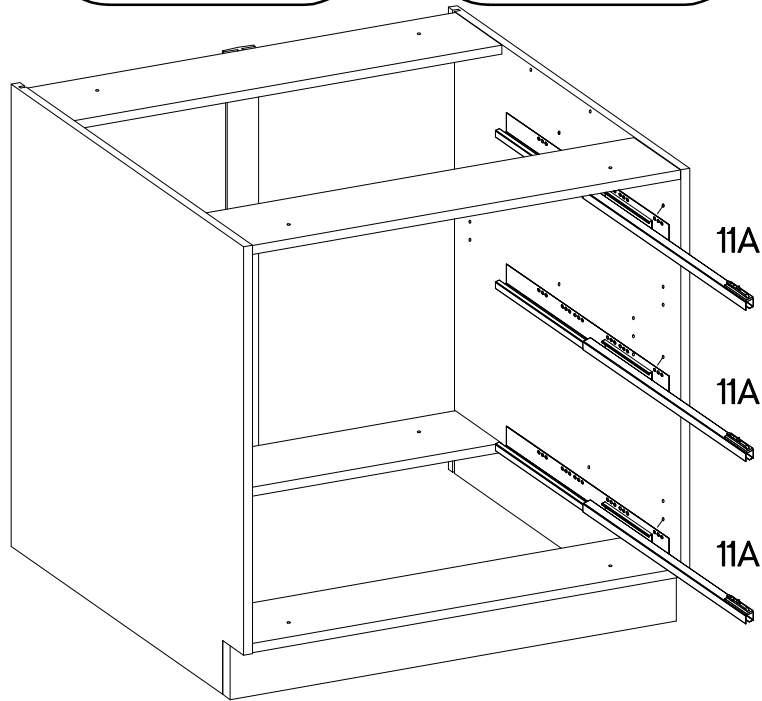
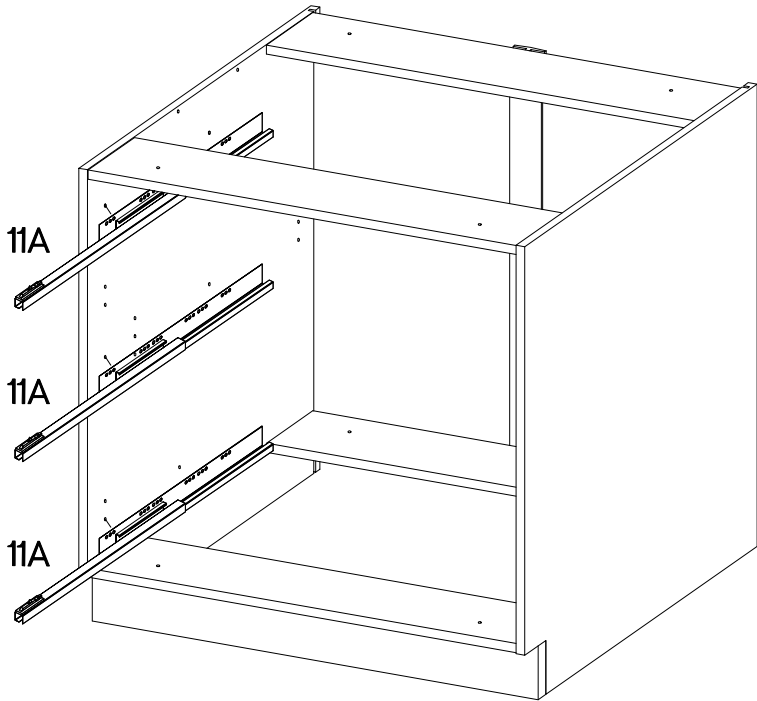
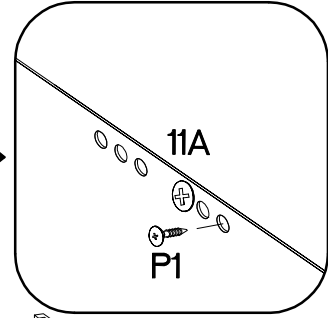
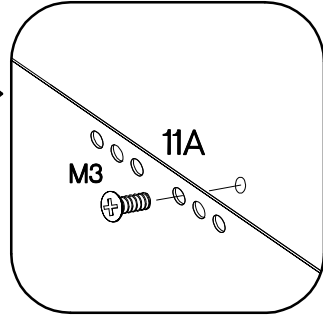
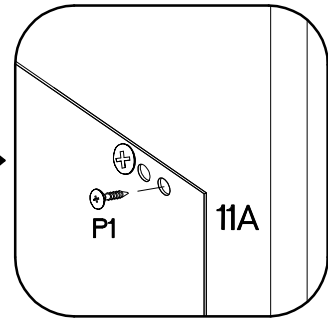
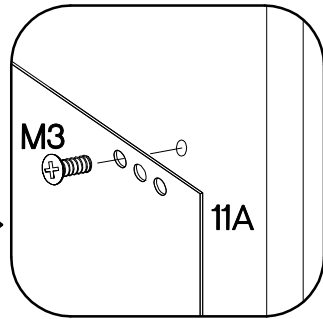
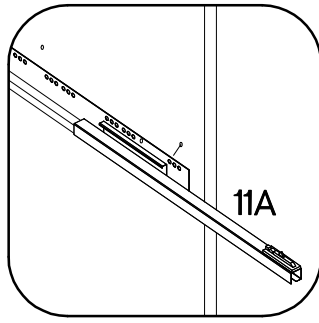
11D	11C	11E	P1	P5	11G
1	1	2	4	8	2





VARIANT HIGH GLOSS

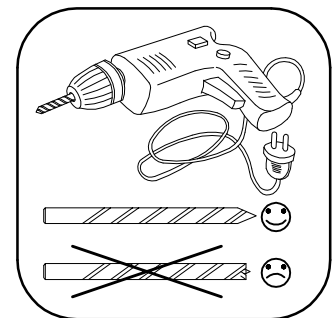
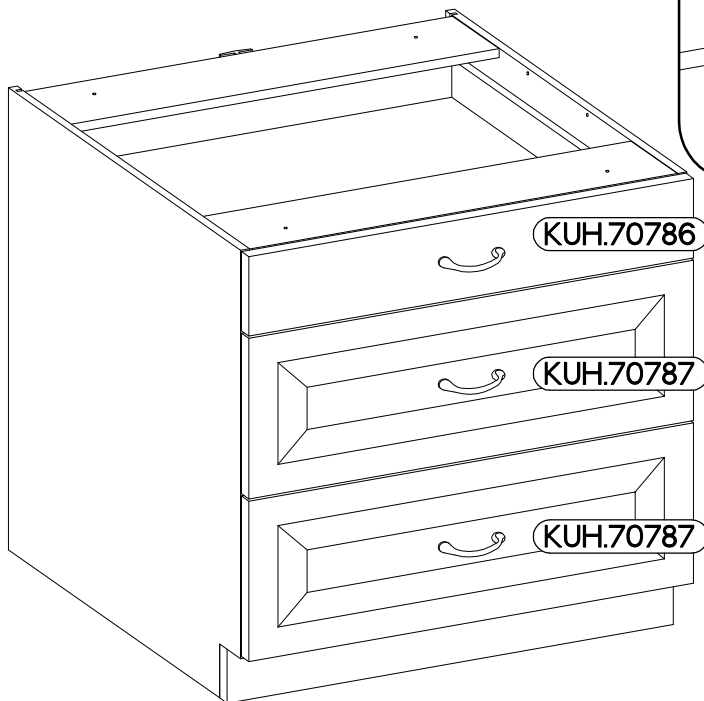
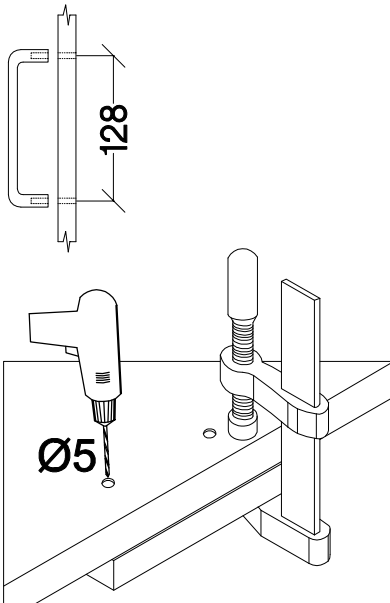
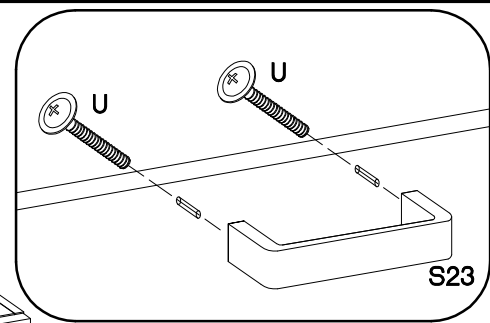


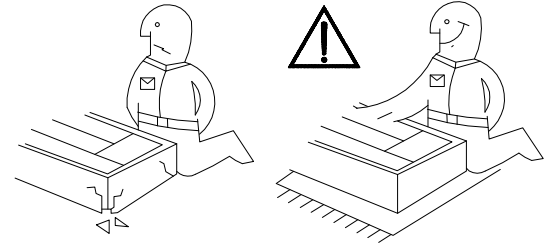
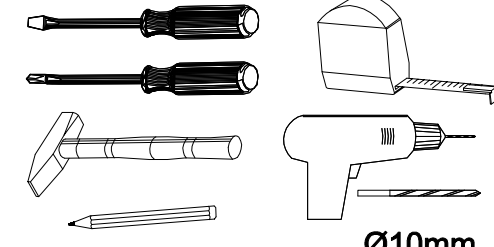
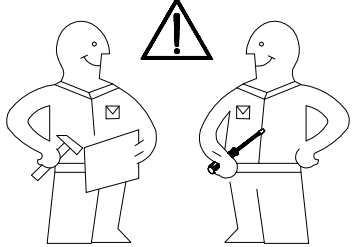
	+6.3x13mm 	+4.0x16mm 
11A 3	M3 12	P1 12



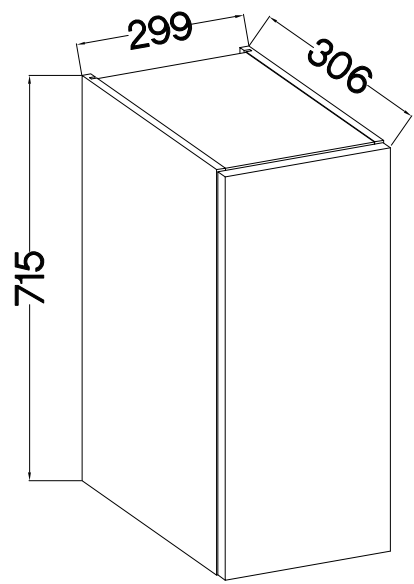
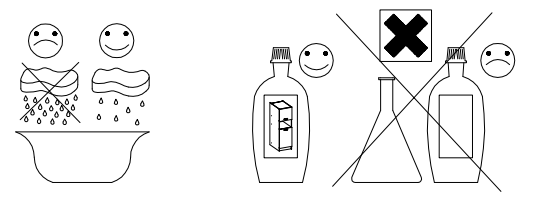
4

M4x22mm 	
U 6	S 3



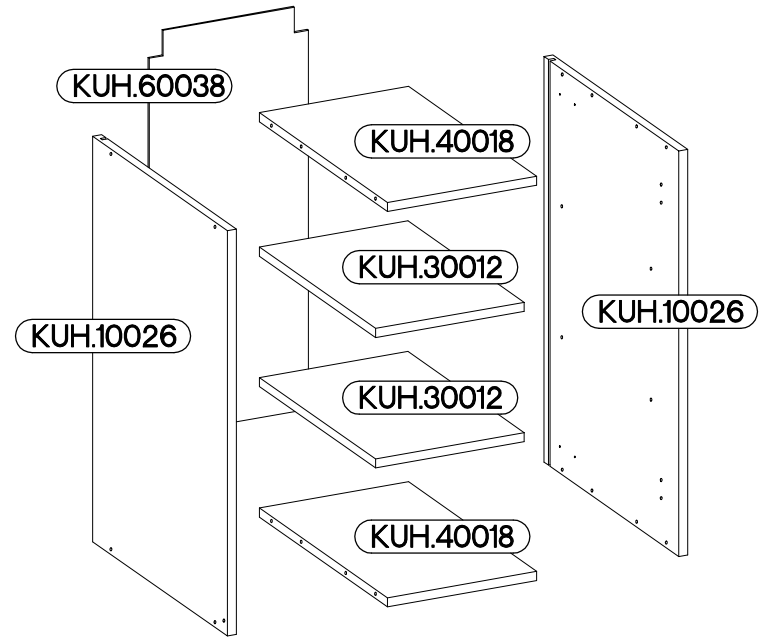
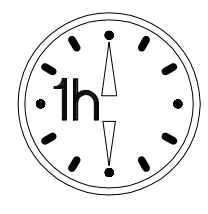


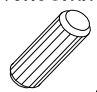


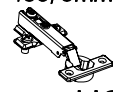

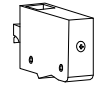
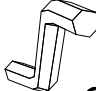


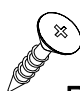
Ø10mm
30 G-72 1F

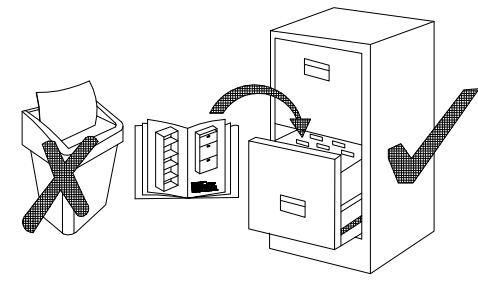


max.
5kg

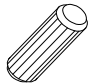
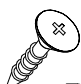
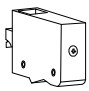
KUH.30012
KUH.40018

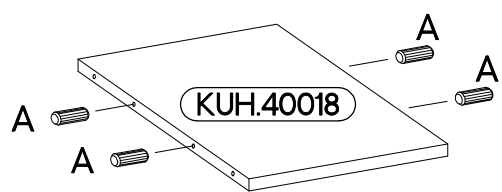
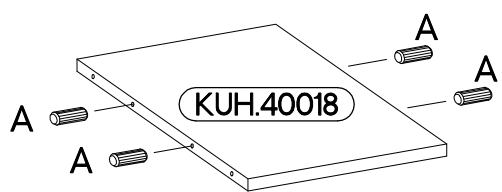
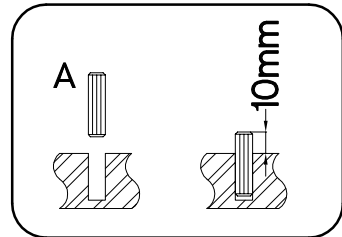
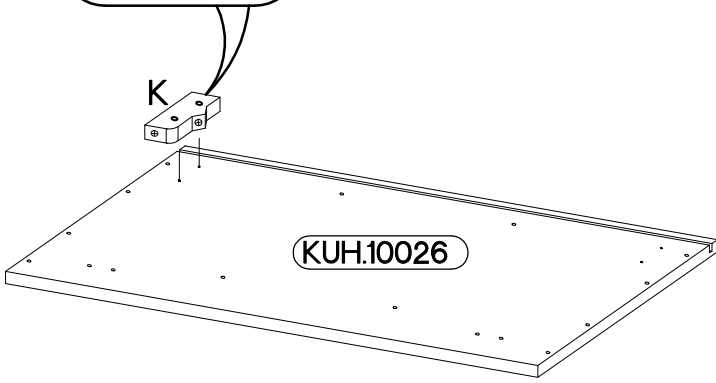
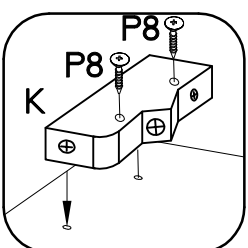
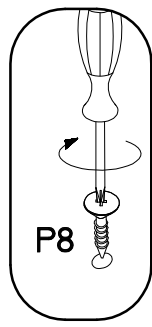
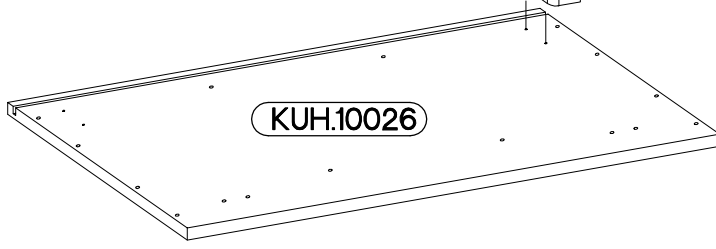
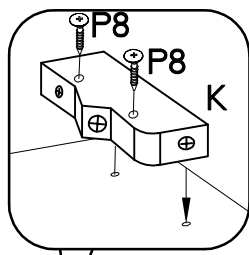
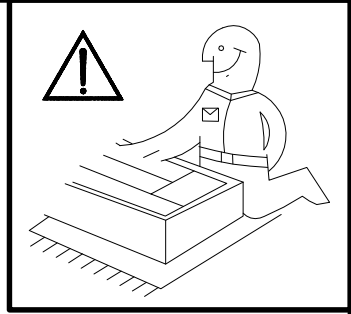


 8x30mm A 8	 6,4 x 50mm B 8	 E1 8	 †35/0mm HG 2		
 †5/19mm J 8	 K 2	 O 1	 †3.5x13mm P5 4	 †3.0x20mm P7 8-10	 †4.0x30mm P8 4


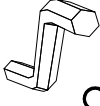



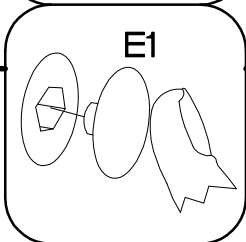
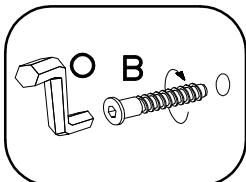
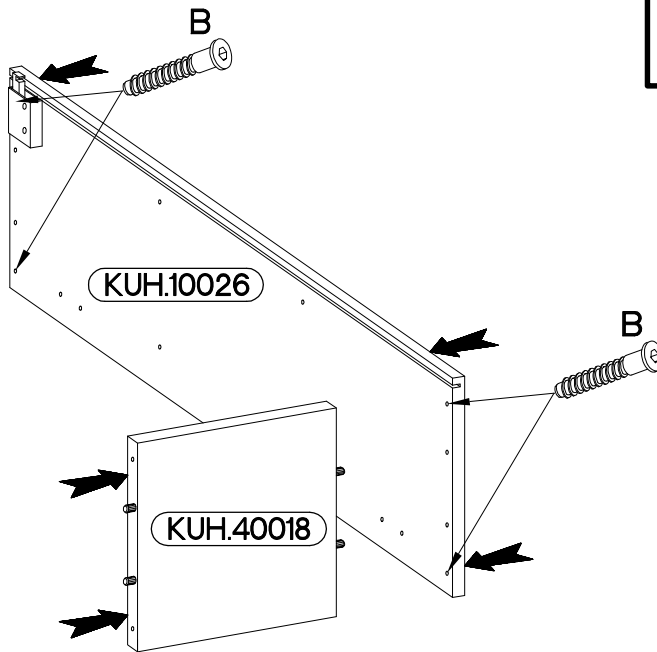
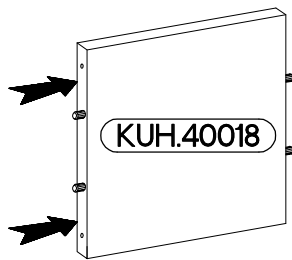
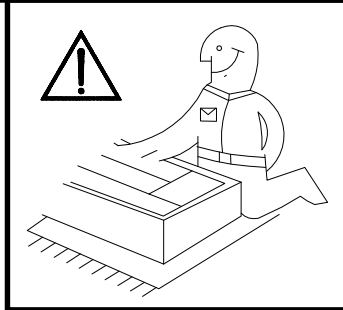
ISM-KUH-01132

 ±8x30mm A	 ±4.0x30mm P8	 K
8	4	2

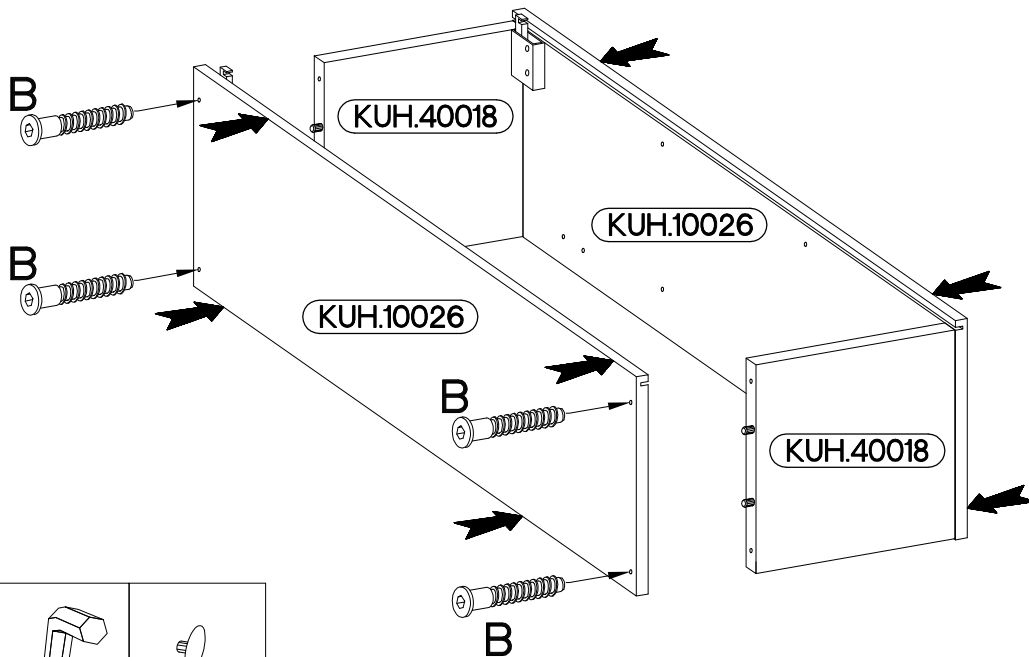



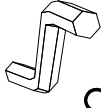

2

6,4 x 50mm		
		
B	O	E1
4	1	4

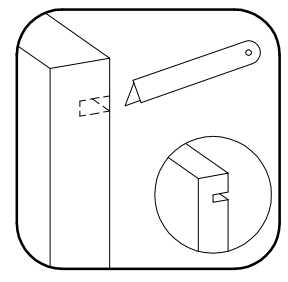
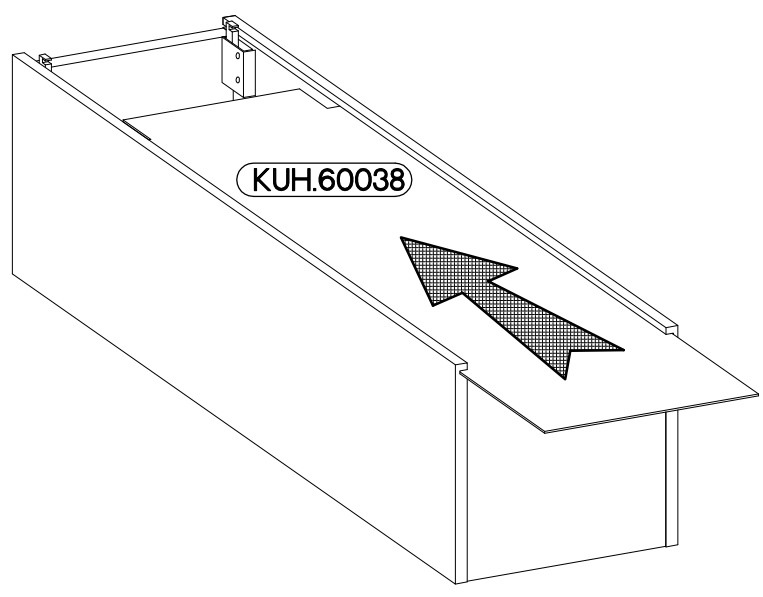
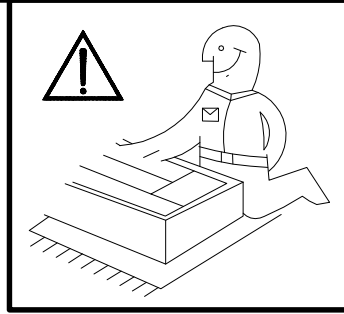


3

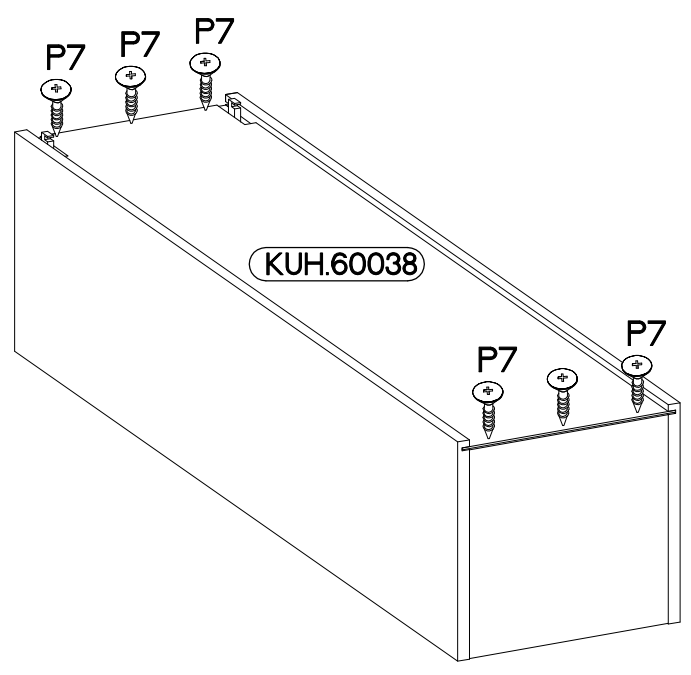
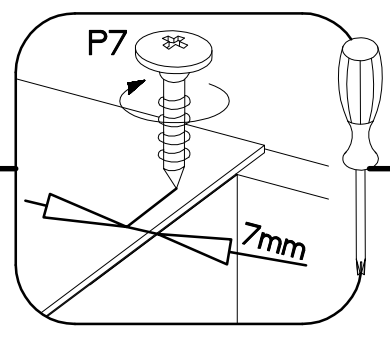
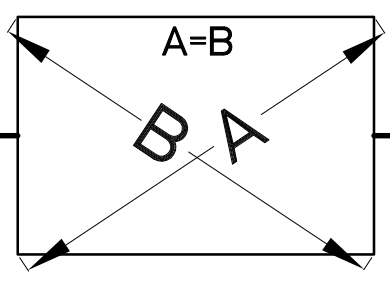
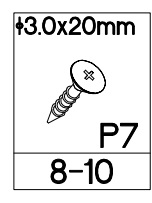


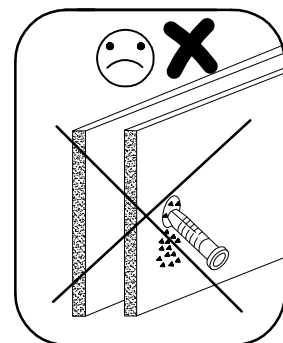
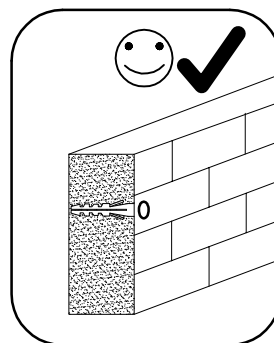
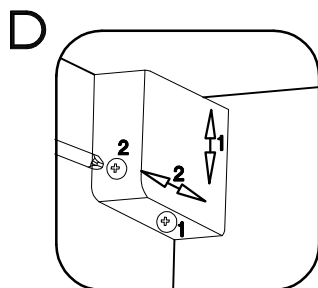
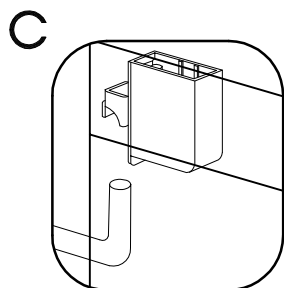
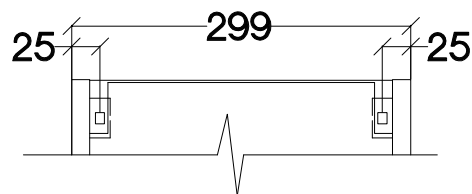
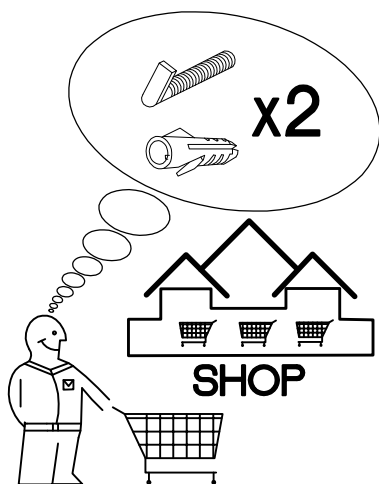
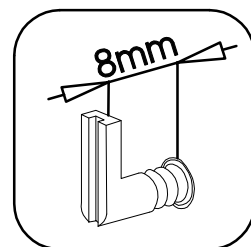
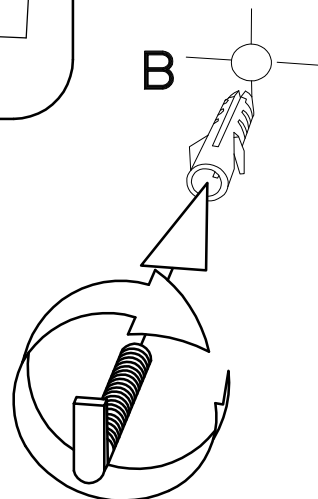
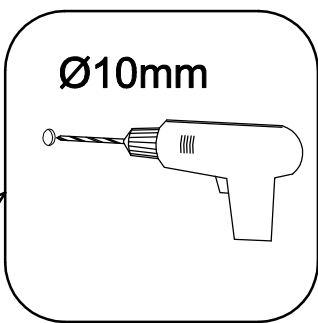
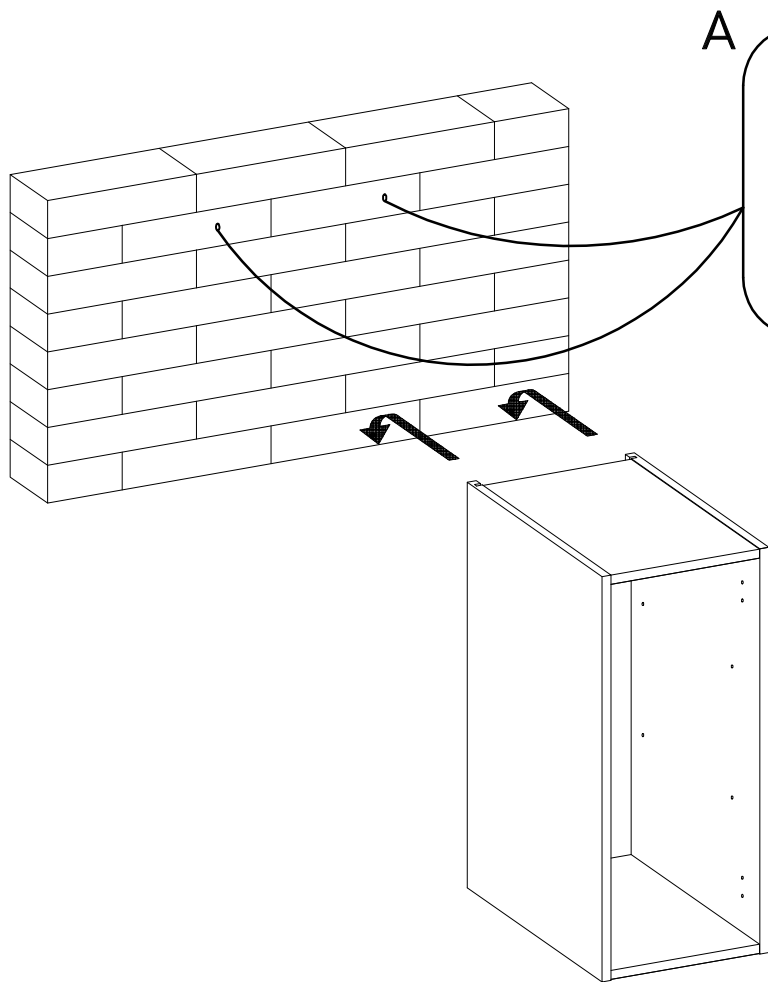
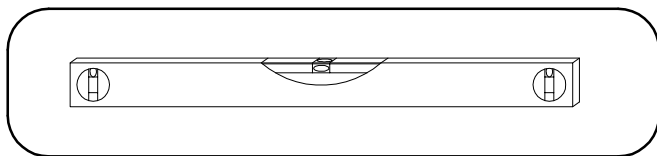
6,4 x 50mm		
		
B	O	E1
4	1	4

4



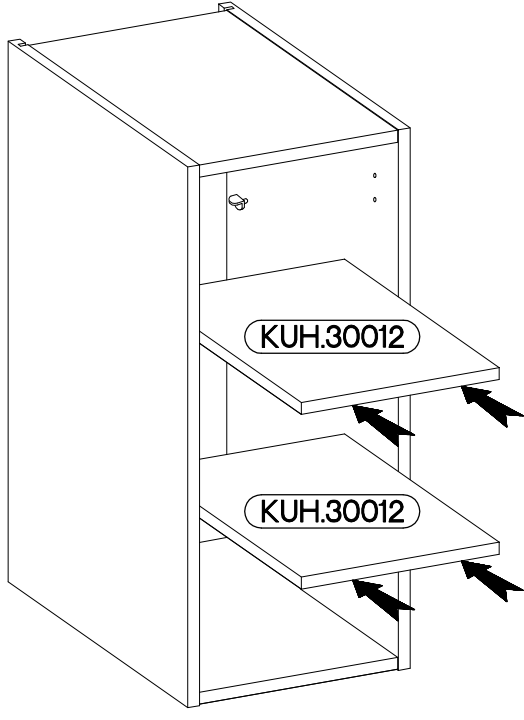
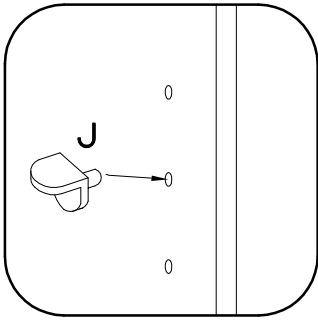
5





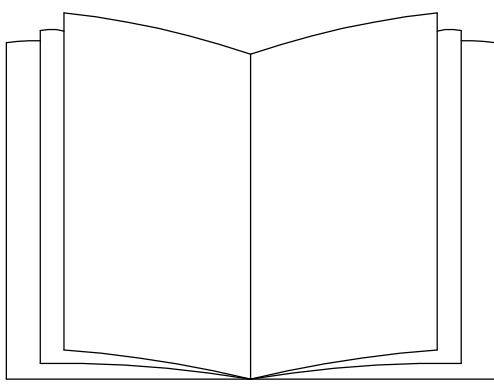
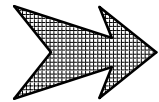
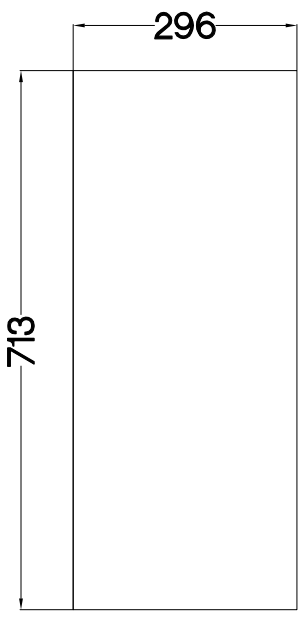
7

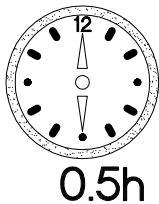
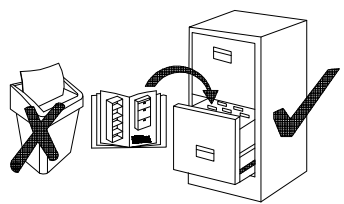
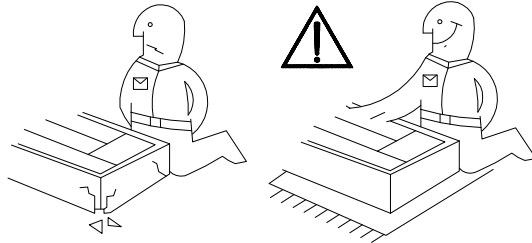
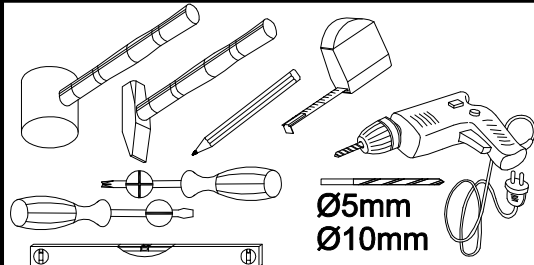
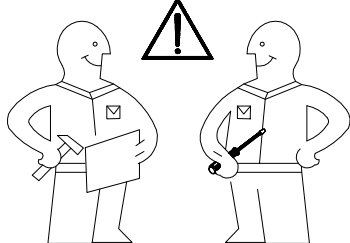
±5/19mm
J
12



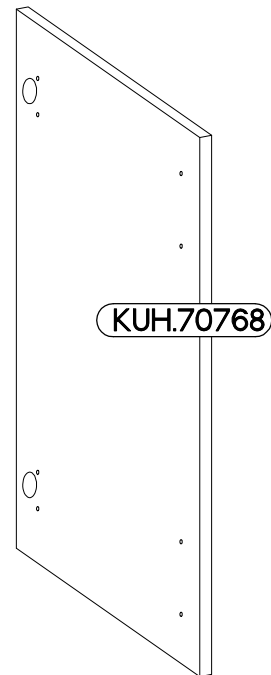
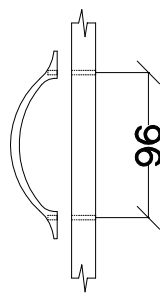
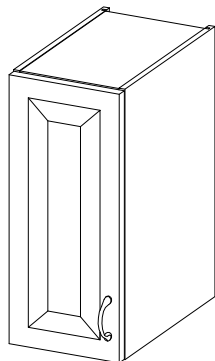
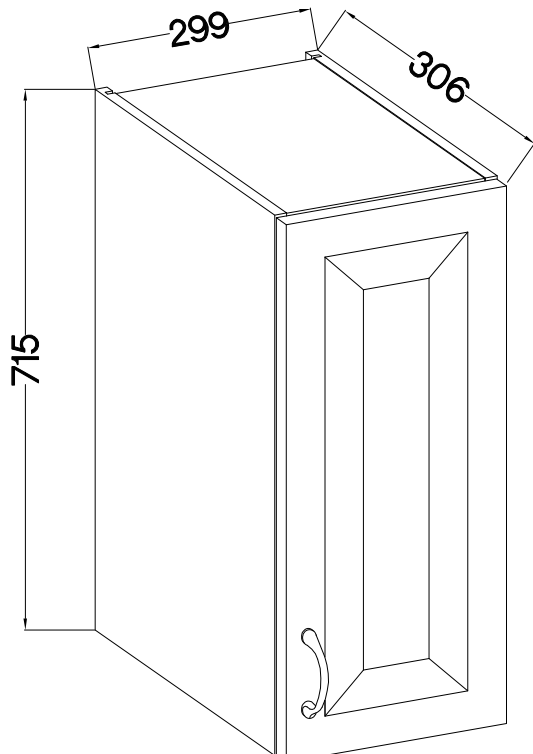
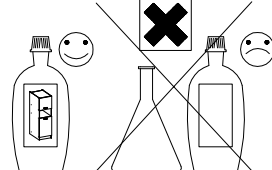
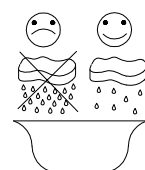
8



FRONT





30 G-72 1F
FRONT

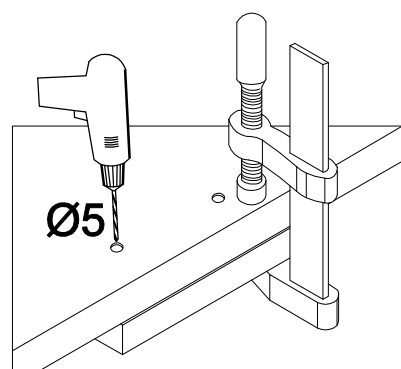
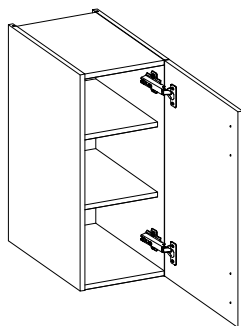
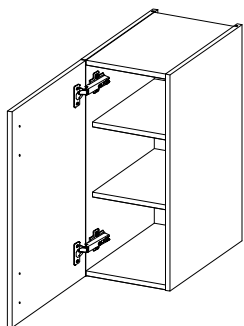
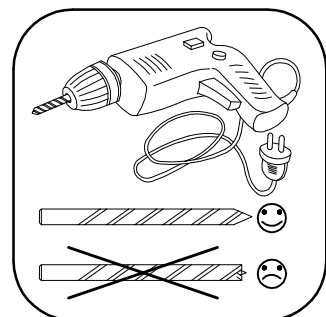
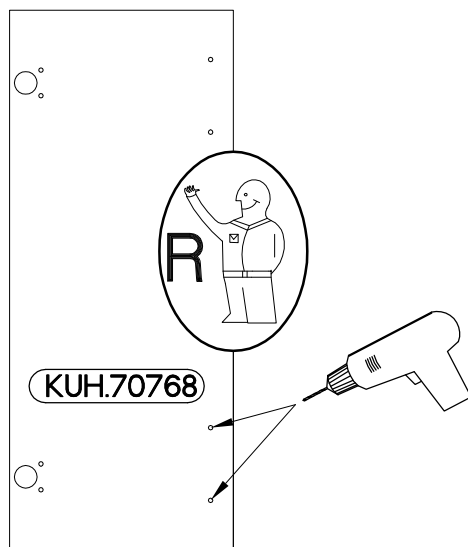
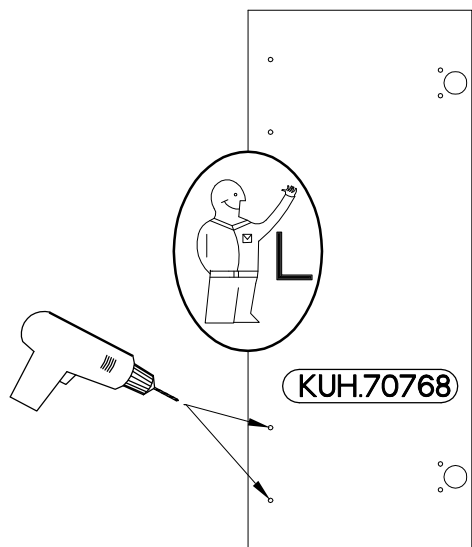


M4x22mm	
	
U	S
2	1



1

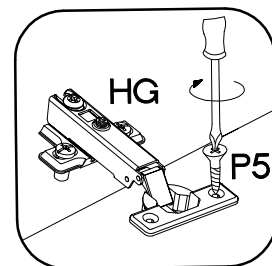
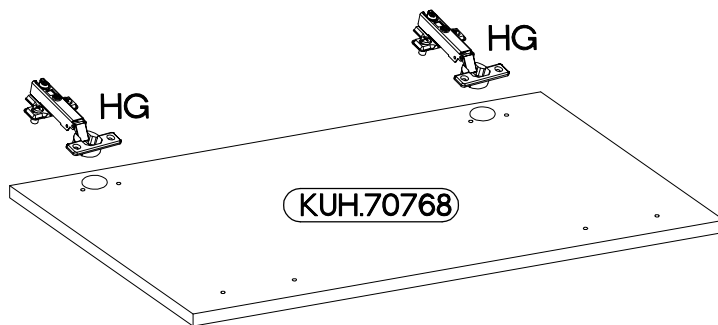
LEFT

RIGHT

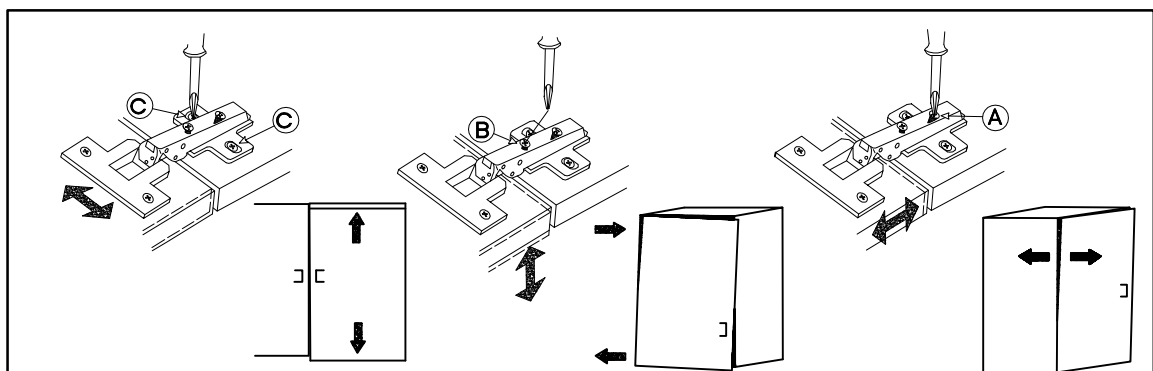
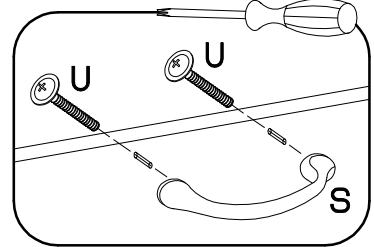
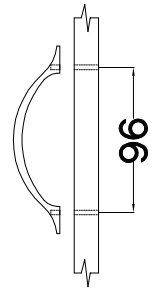
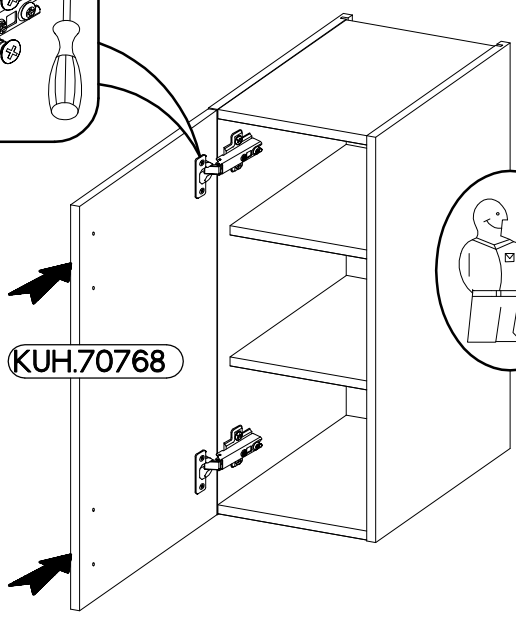
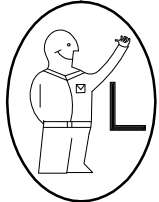
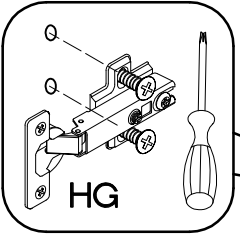
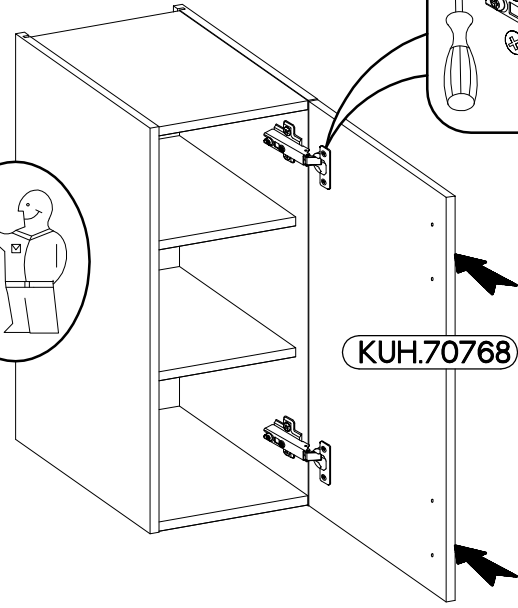
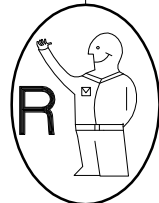
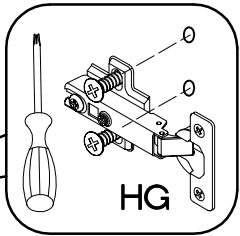
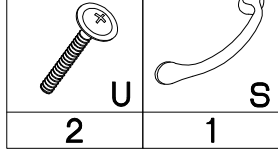


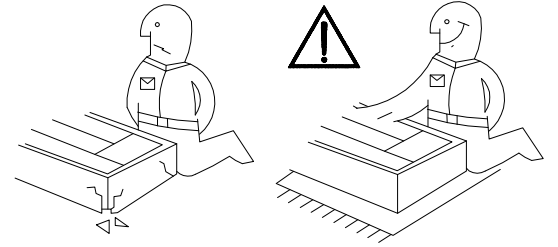
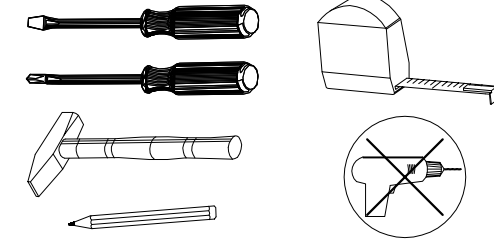
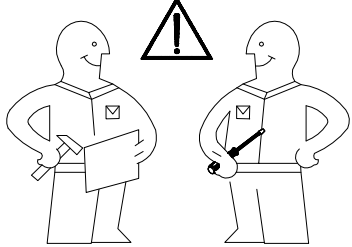
2

 HG 2	 P5 4
------------------------------------------------------------------------------------------------	------------------------------------------------------------------------------------------------

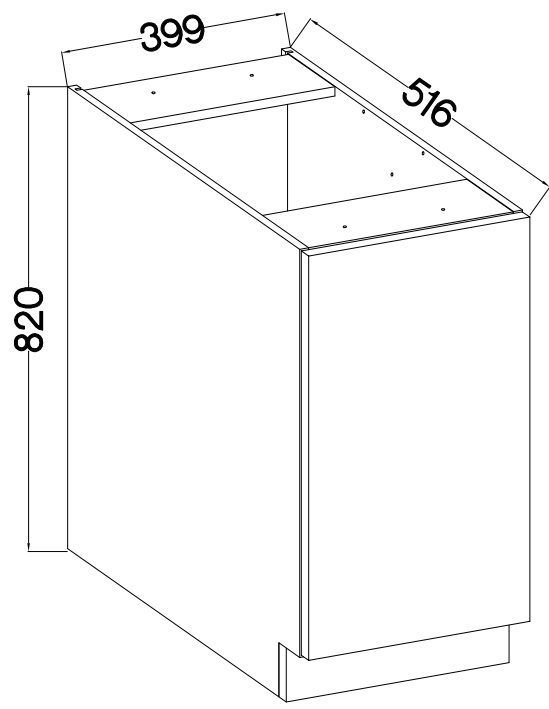
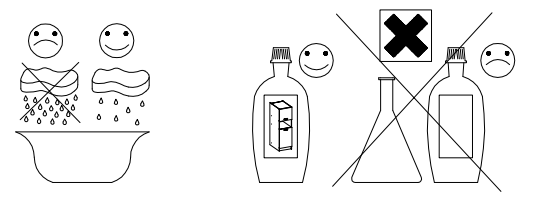


M4x22mm

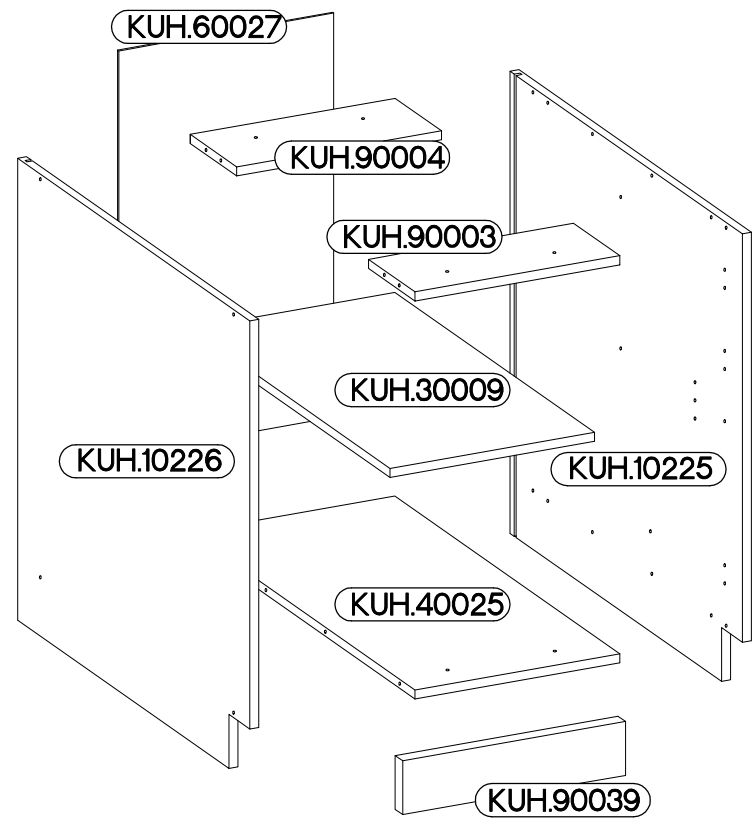
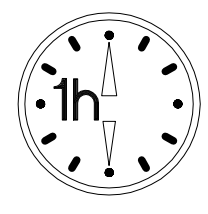




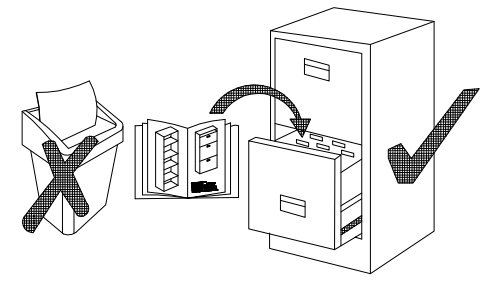
40 D 1F BB



max. 10kg
 KUH.30009
 KUH.40025

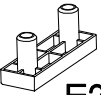
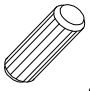


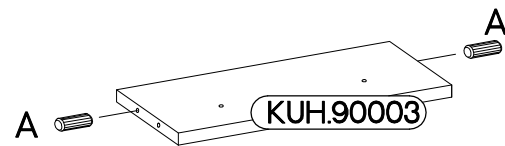
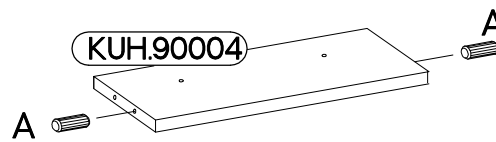
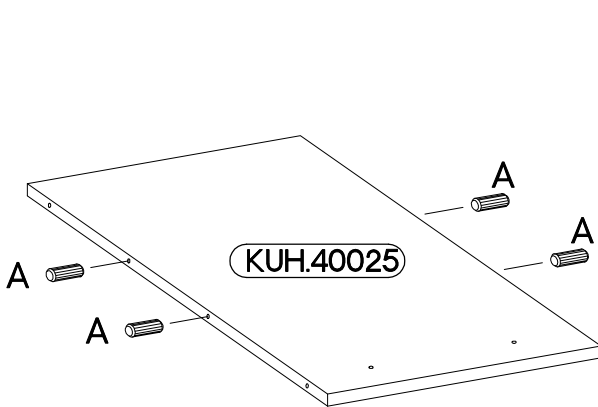
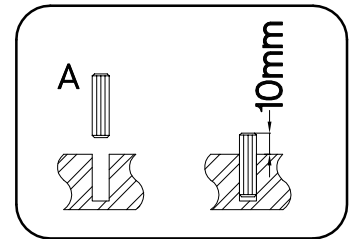
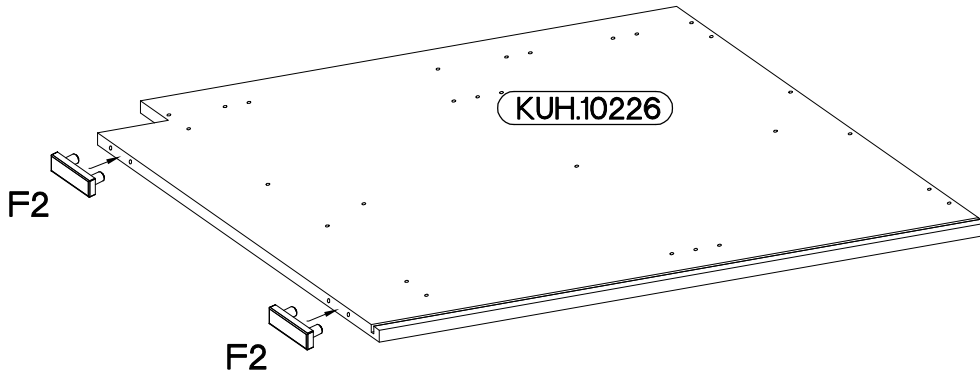
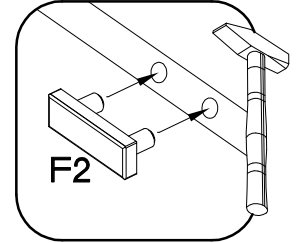
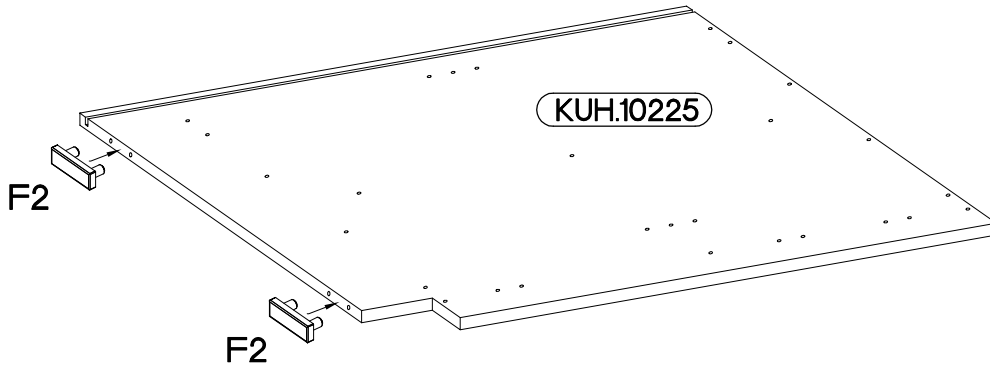
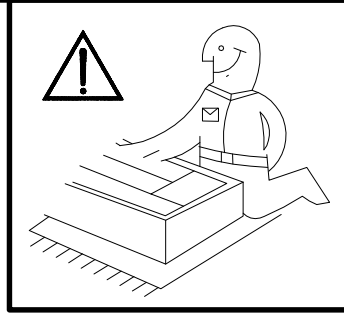
 A 8	 B 8	 E1 8	 E9 2	 F2 4		
 HG 2	 J 4	 O 1	 P4 2	 P5 4	 P7 8-10	 R3 4




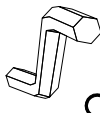

ISM-KUH-01133

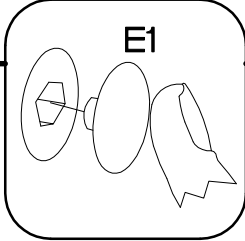
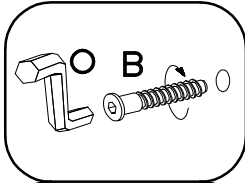
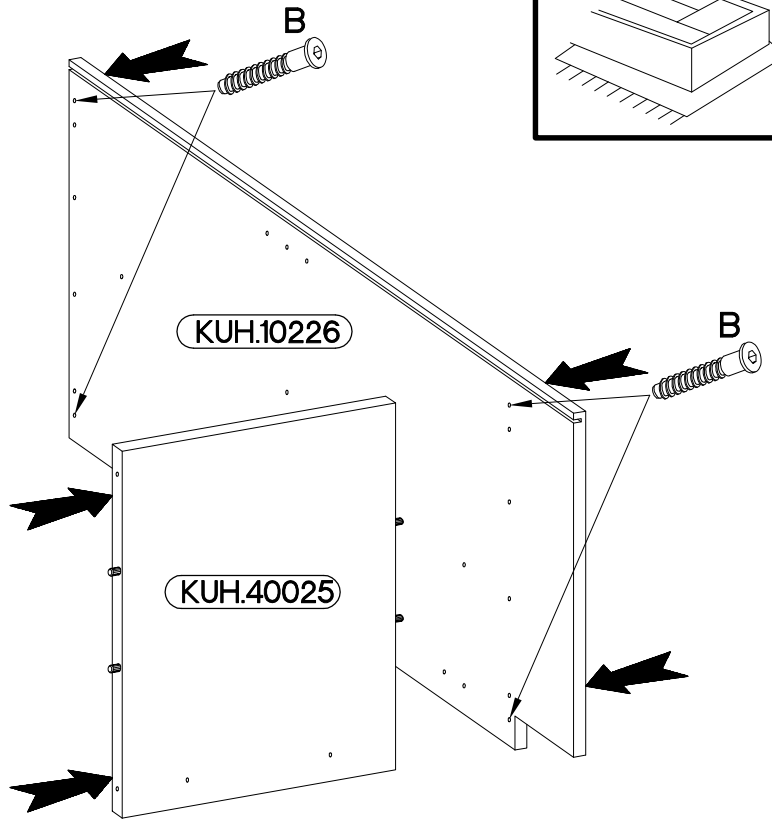
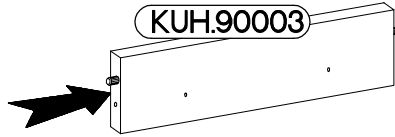
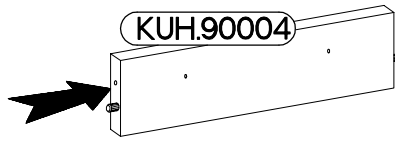
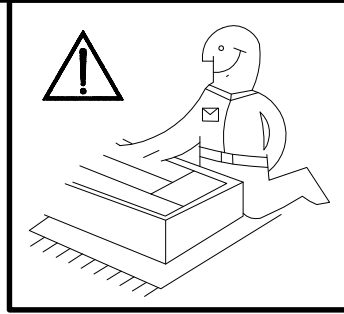
1

6.5x48x16  F2 4	+8x30mm  A 8
----------------------------------------------------------------------------------------------------------	-------------------------------------------------------------------------------------------------------

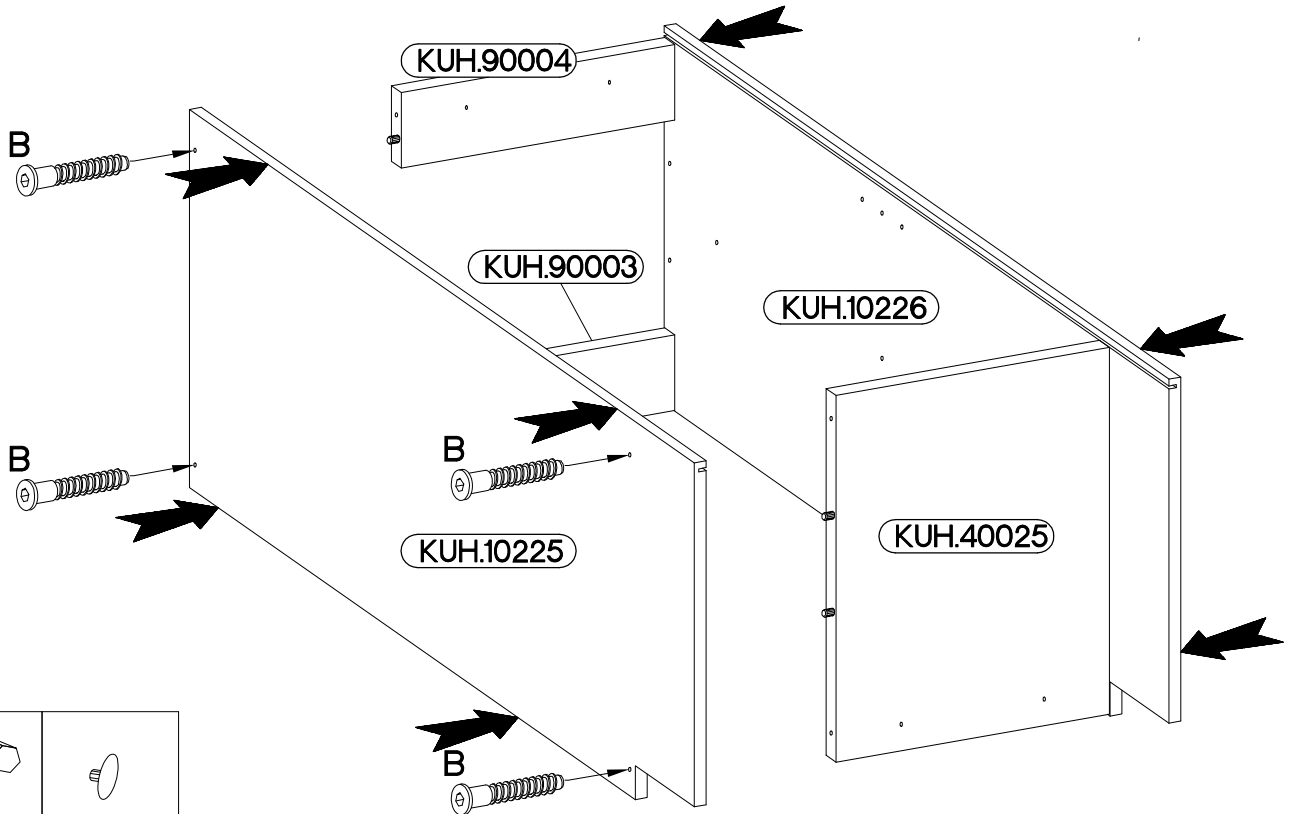





2

6,4 x 50mm		
		
B	O	E1
4	1	4

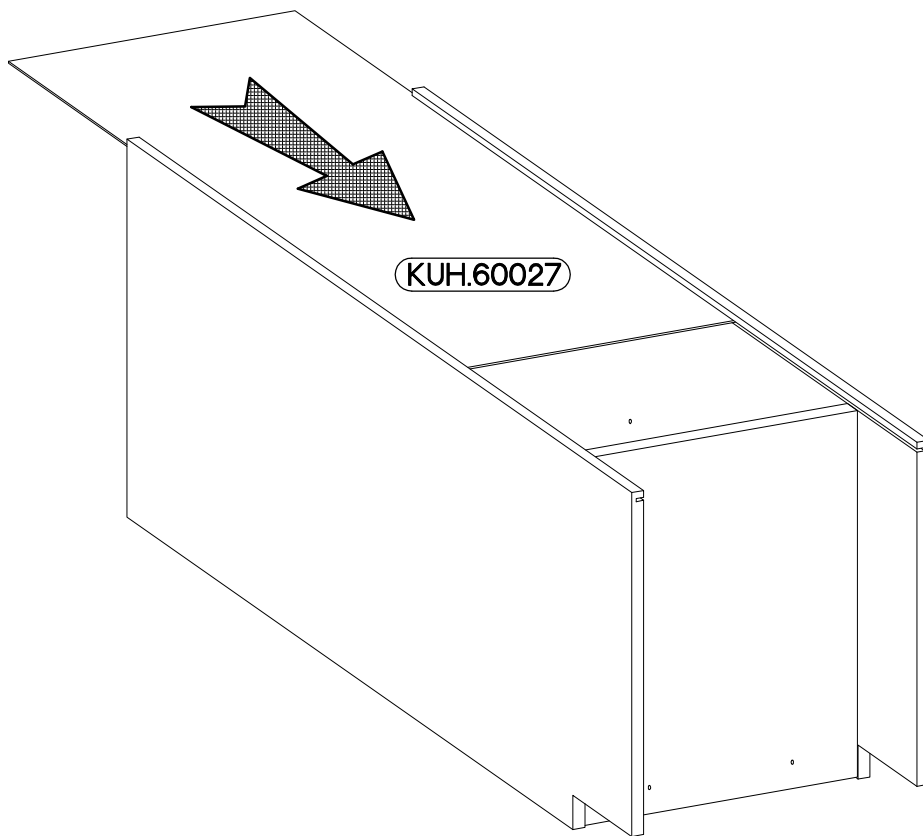
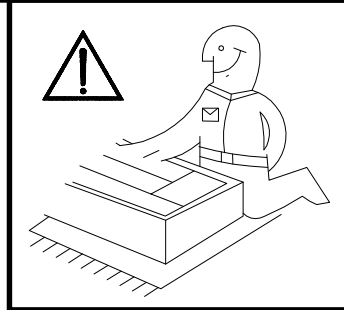


3

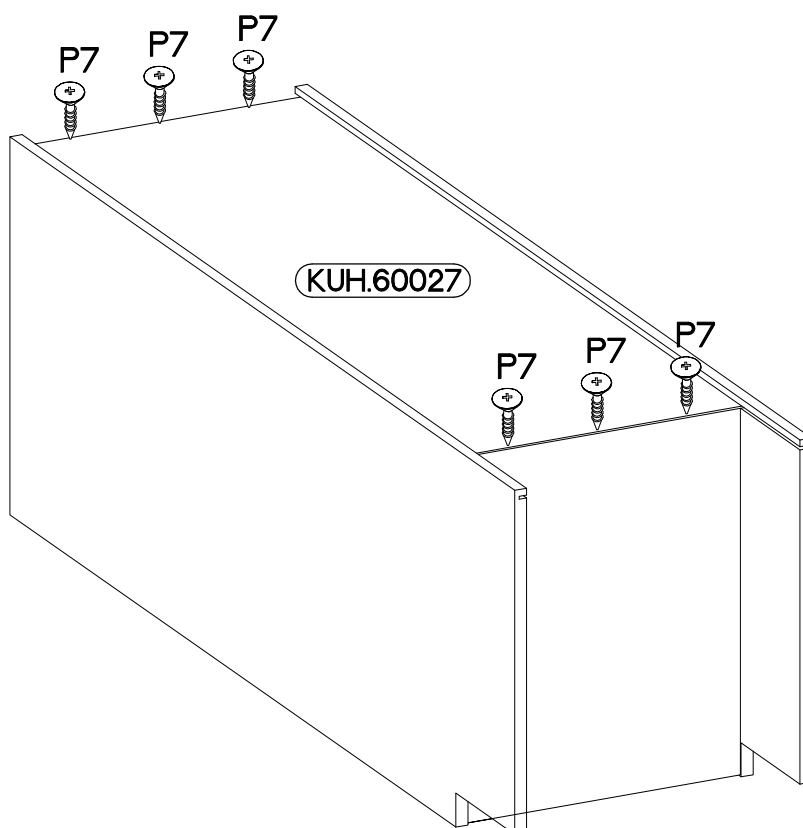
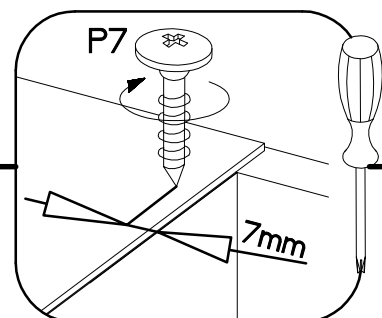
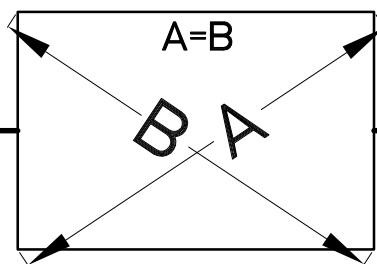
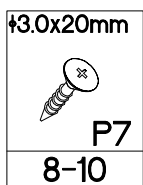


6,4 x 50mm		
		
B	O	E1
4	1	4



4

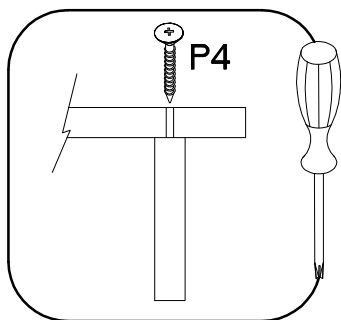
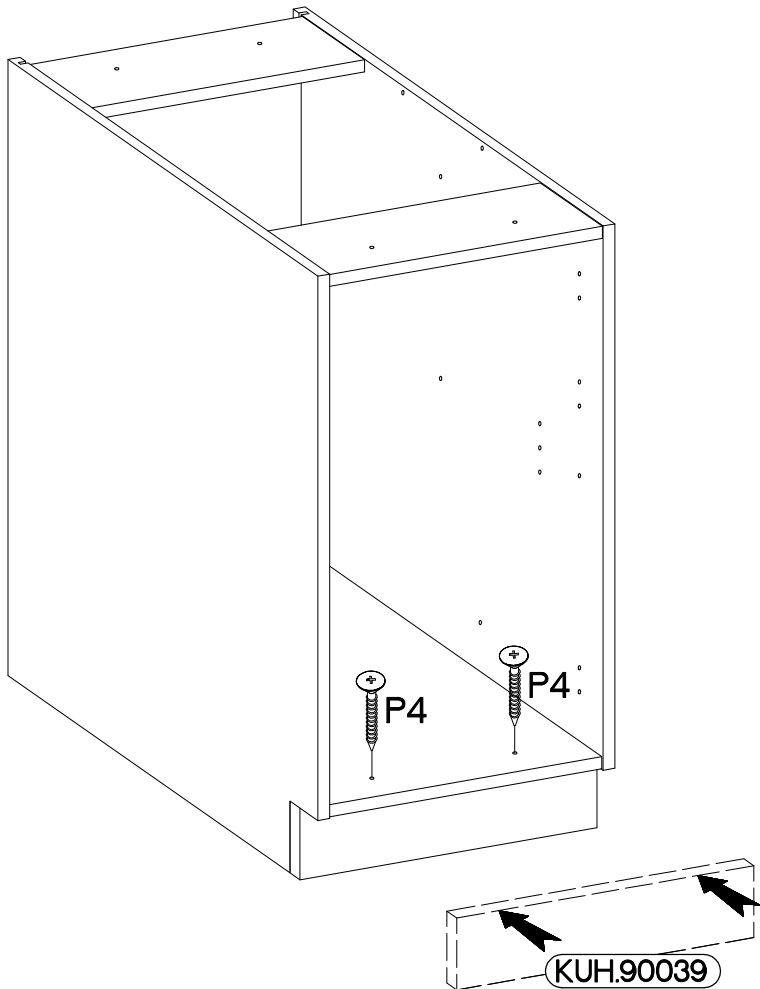


5




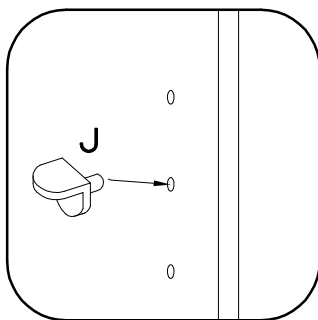
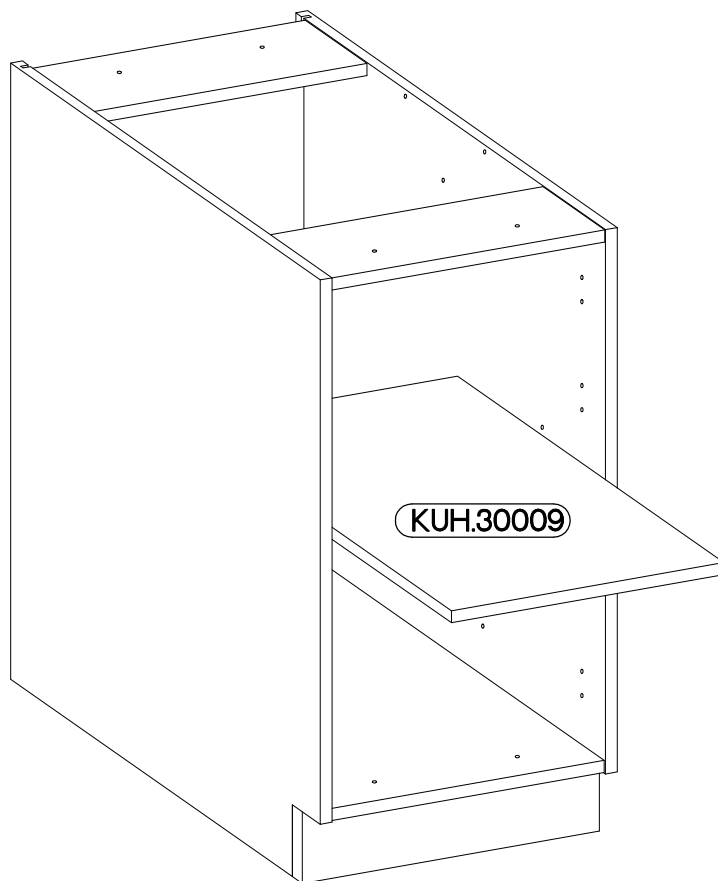
6

4.0x45mm	
	E9
2	2

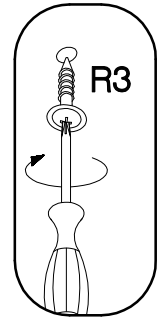
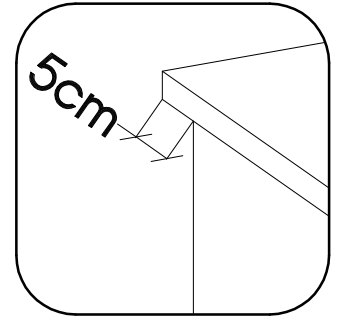
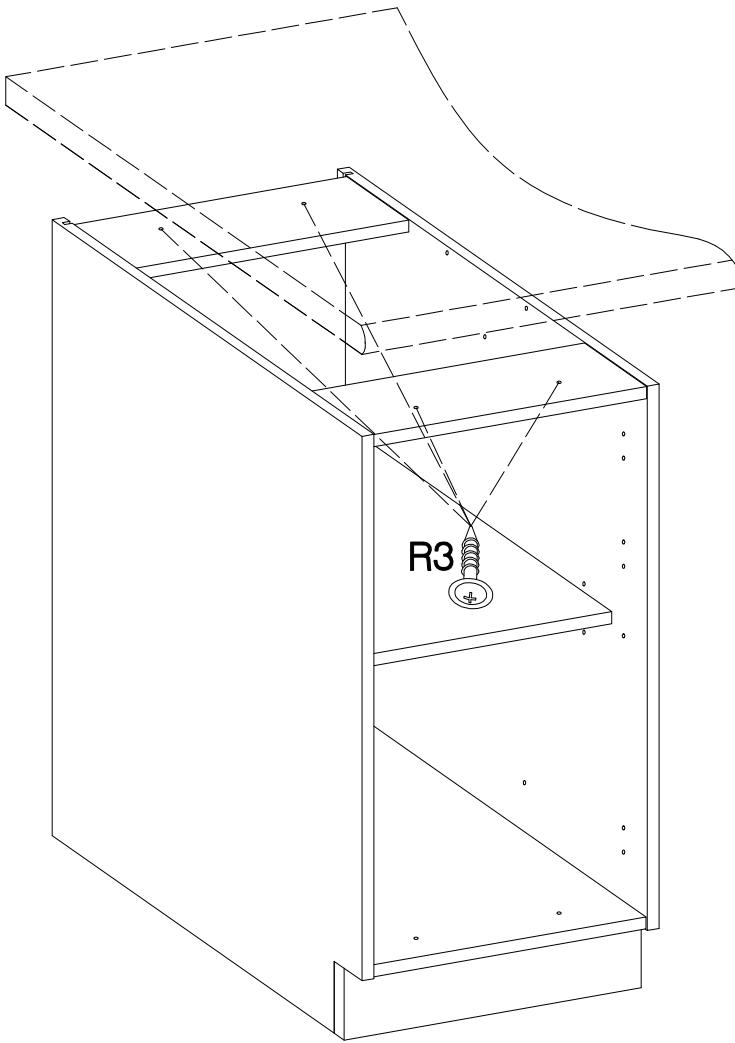
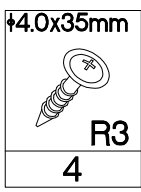


7

5/19mm

J
4

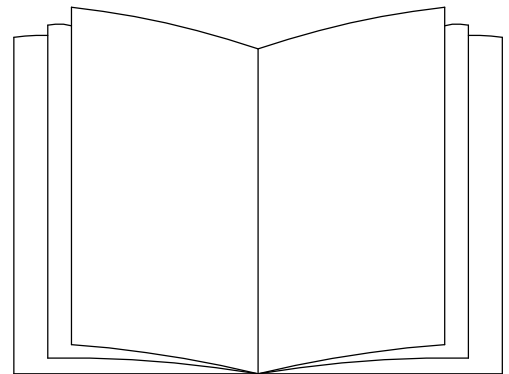
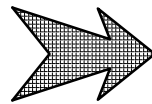
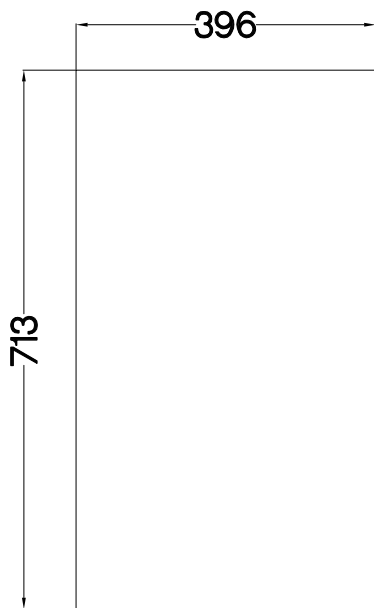


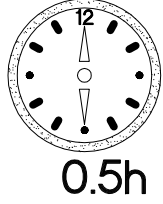
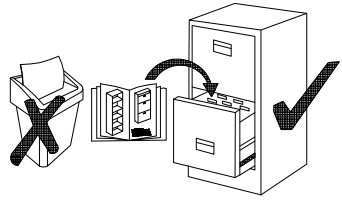
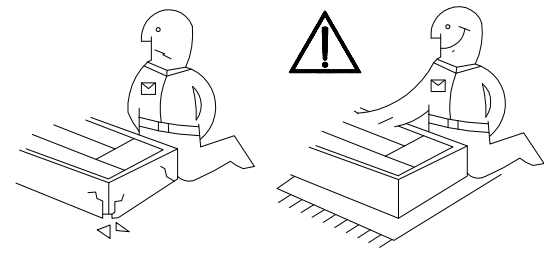
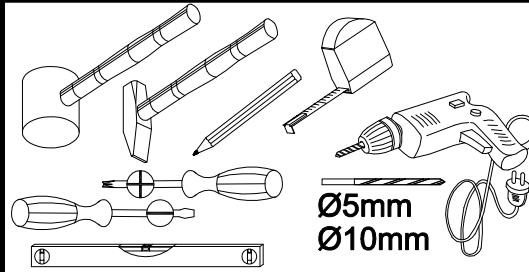
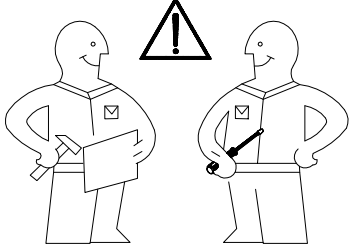
8



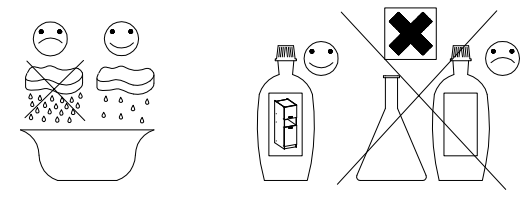
9

FRONT

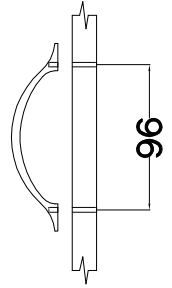
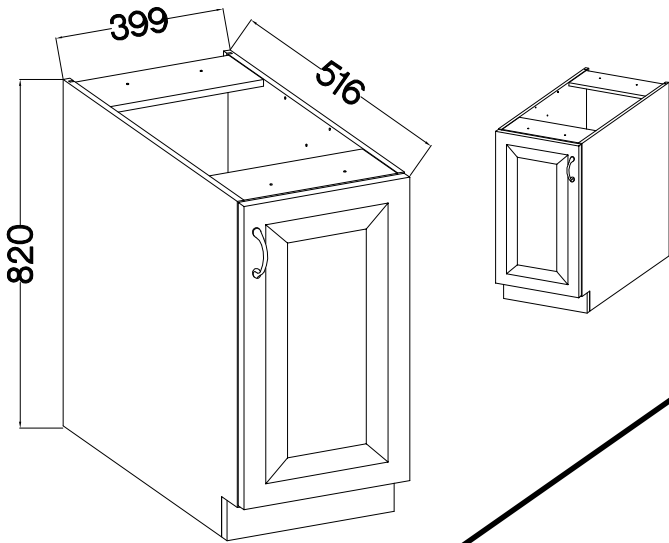




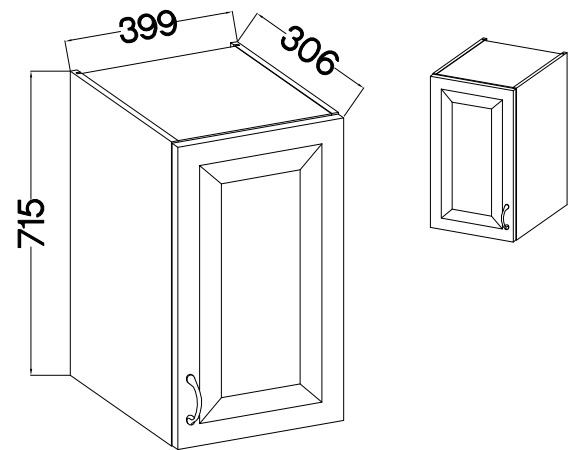
FRONT



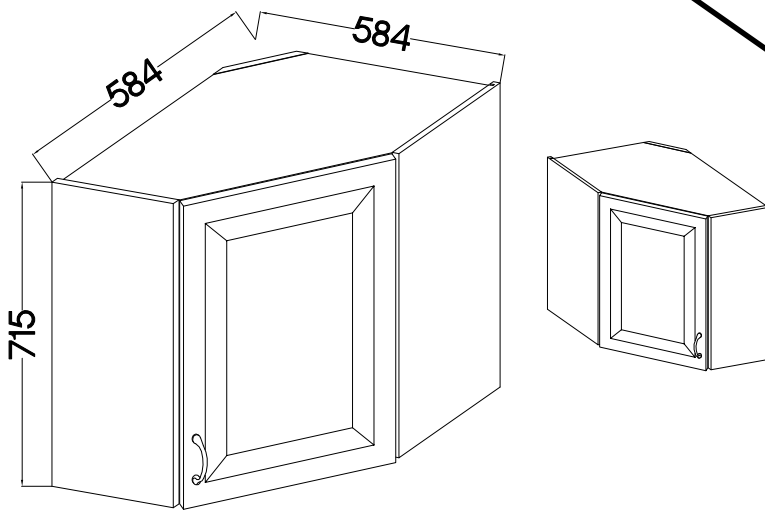
40 D 1F BB



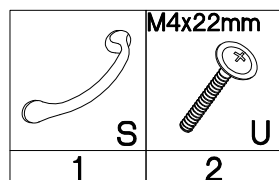
40 G-72 1F



58x58 GN-72 1F



KUH.70769



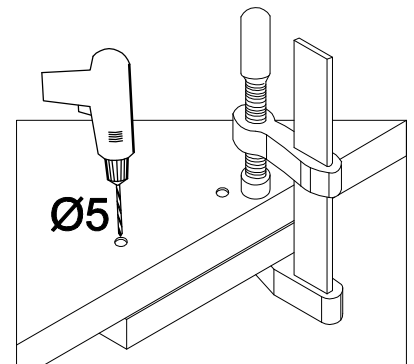
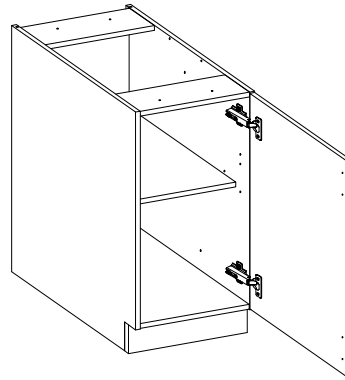
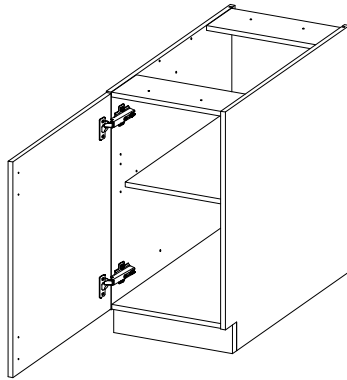
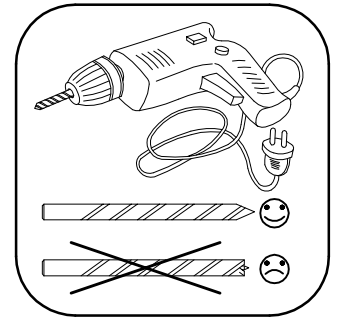
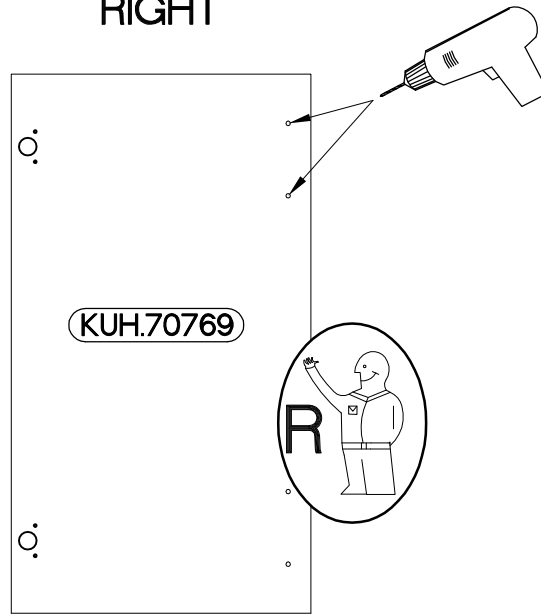
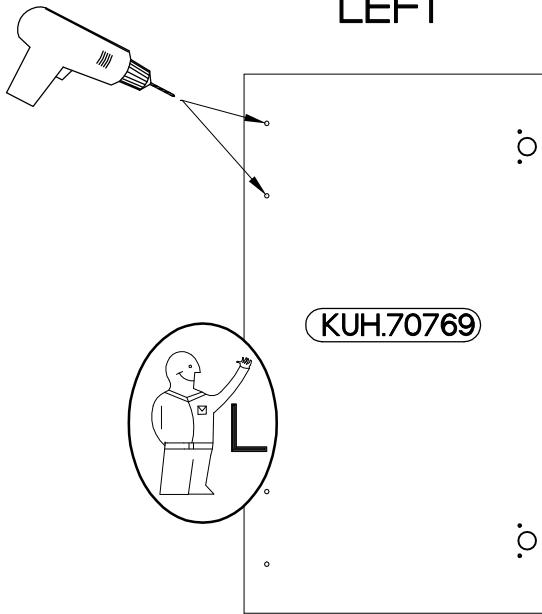
ISM-KUH-01198

1

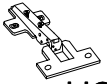

40 D 1F BB

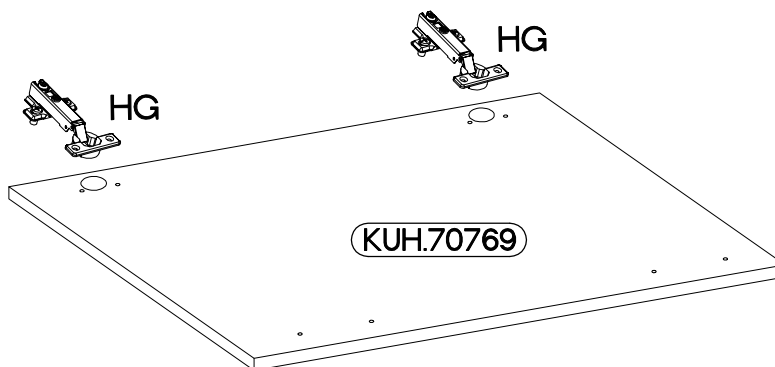
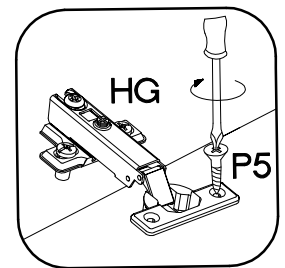
LEFT

RIGHT



2

+35/0mm	+3.5x13mm
	
HG	P5
2	4



3

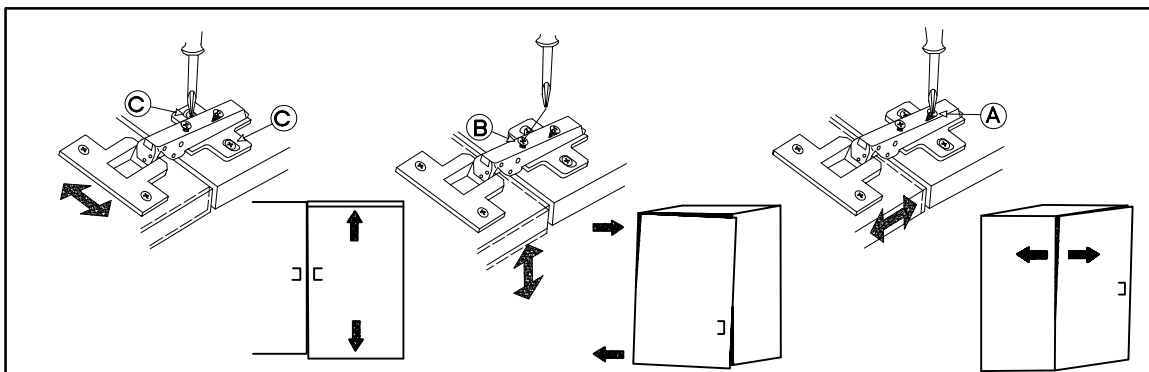
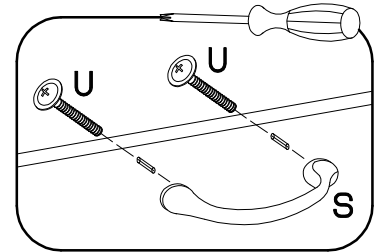
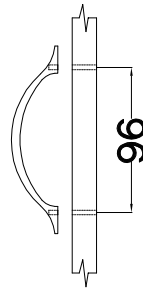
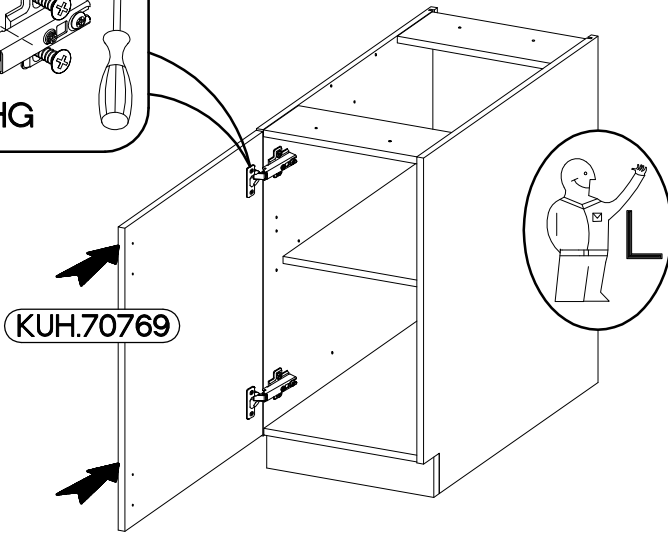
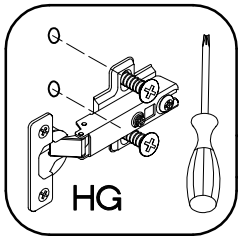
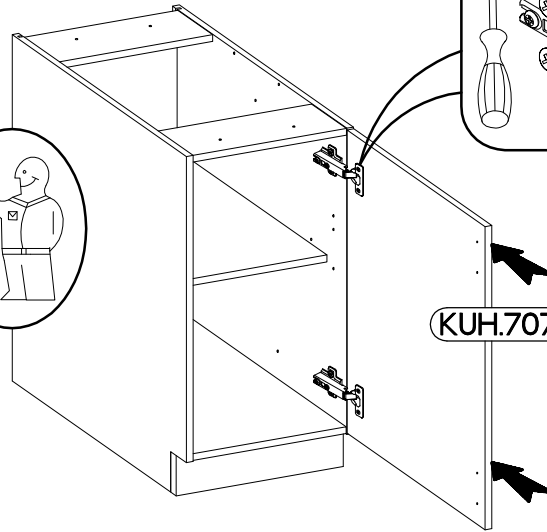
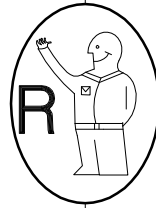
M4x22mm



2



1

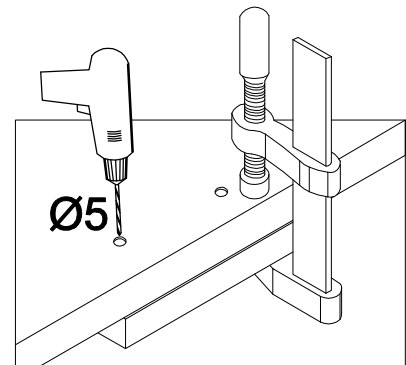
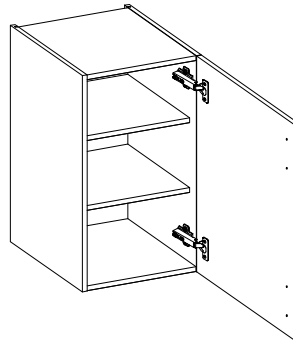
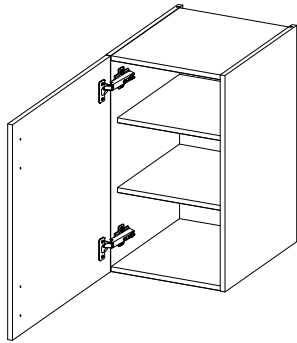
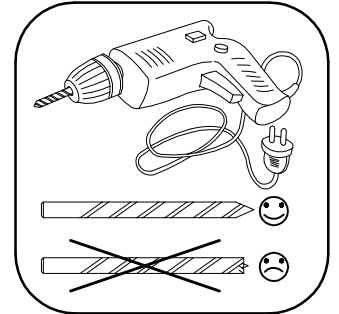
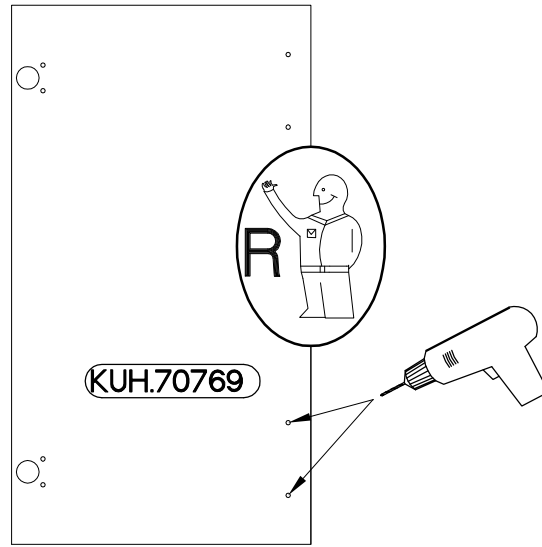
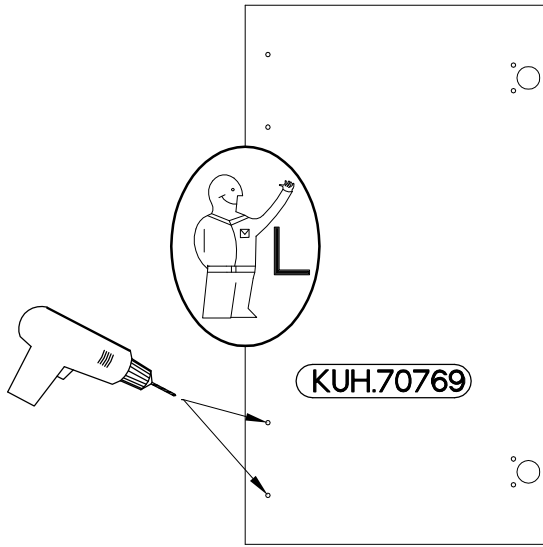


4



40 G-72 1F

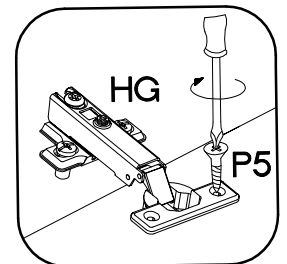
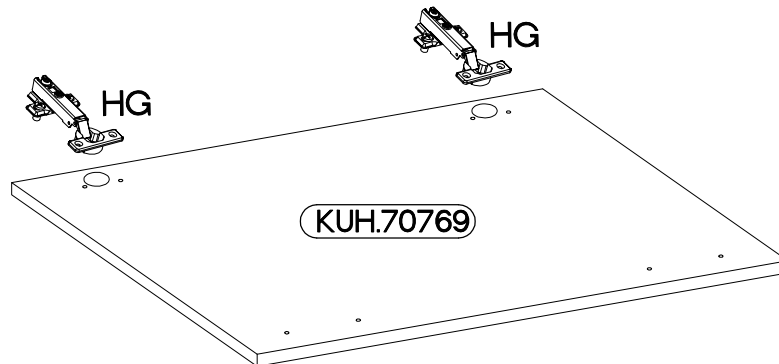
LEFT

RIGHT



5

 HG 2	 P5 4
------------------------------------------------------------------------------------------------	------------------------------------------------------------------------------------------------

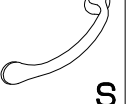


6

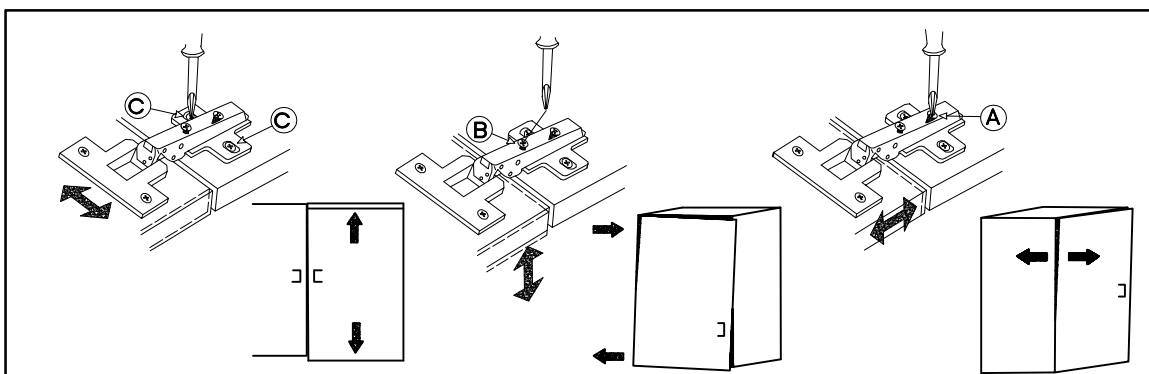
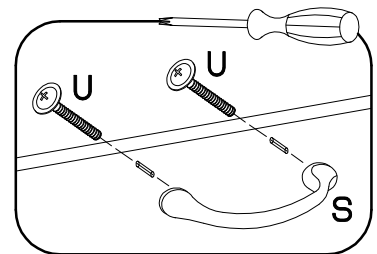
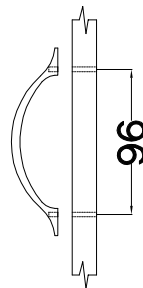
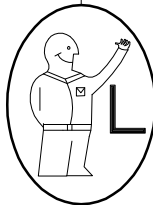
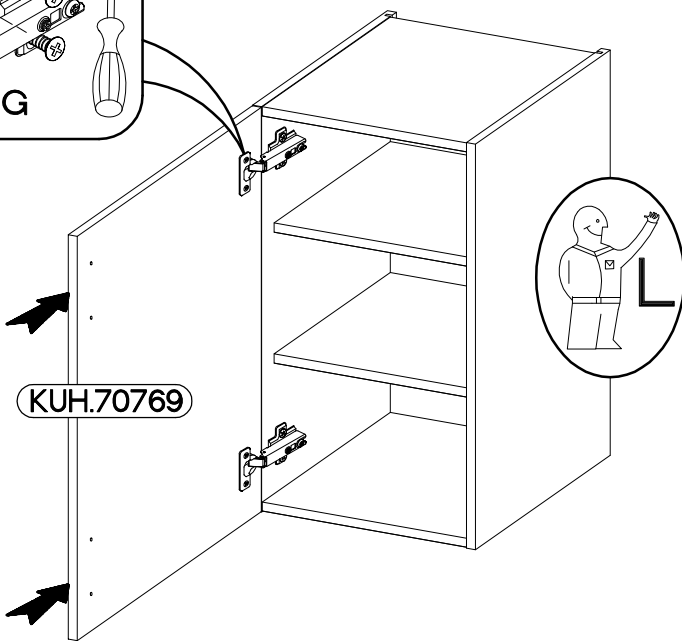
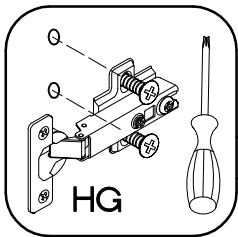
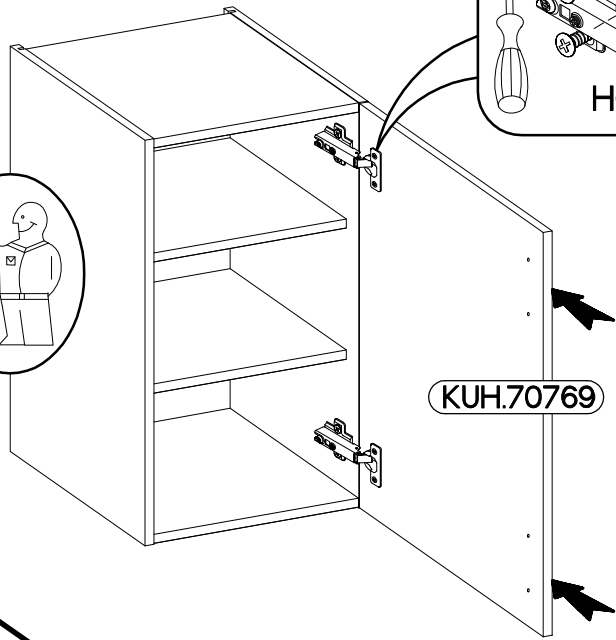
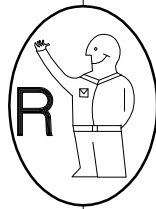
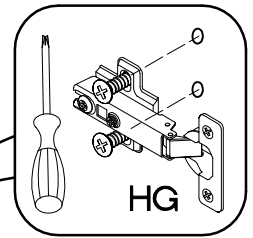
M4x22mm



2

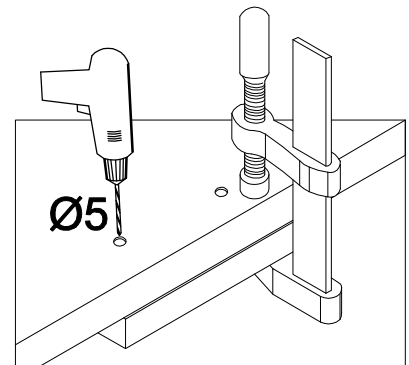
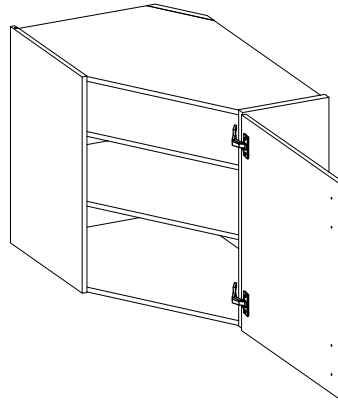
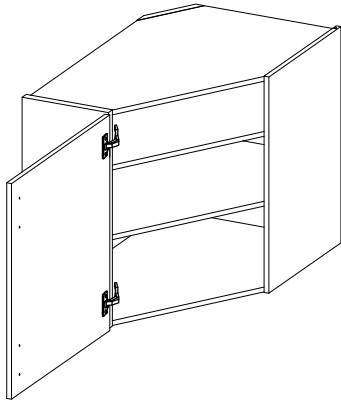
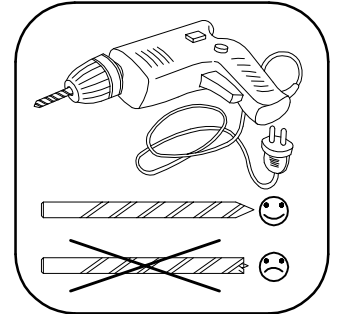
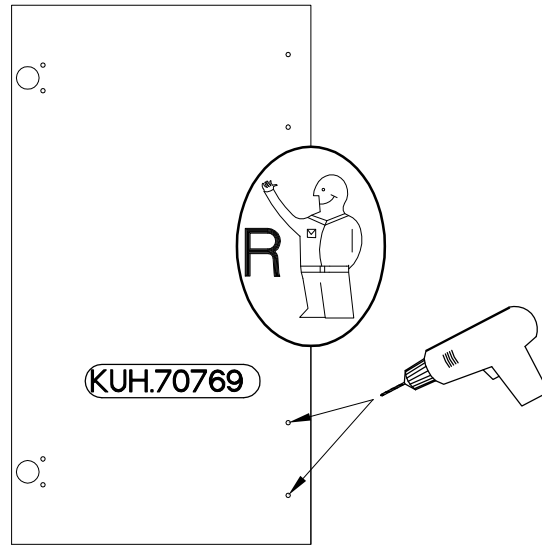
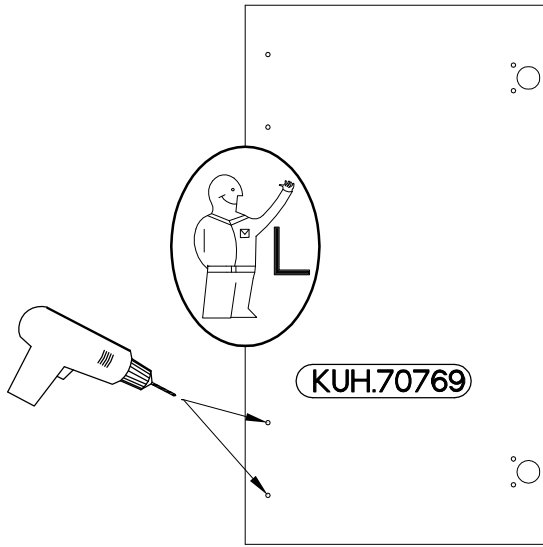


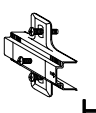


1

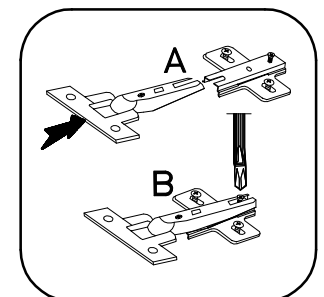
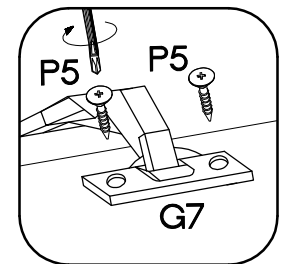
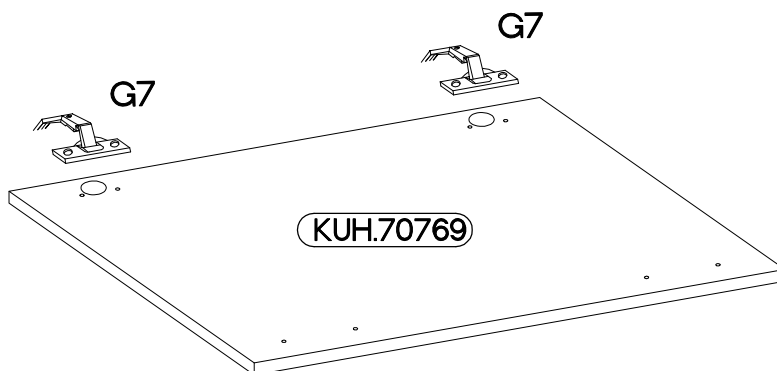


LEFT

RIGHT



		
H	G7	P5
2	2	4



9

M4x22mm



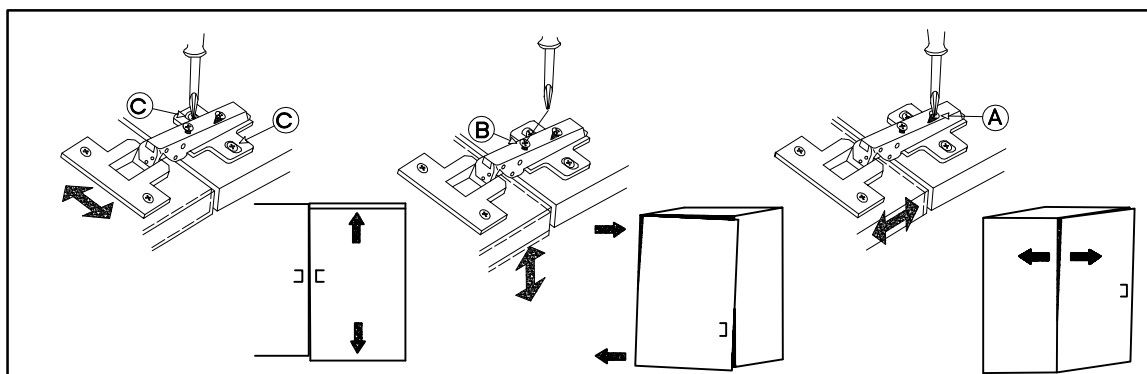
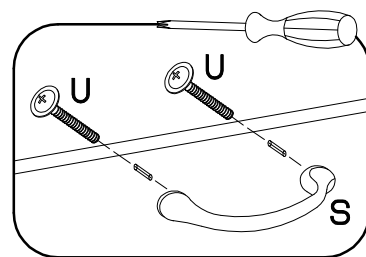
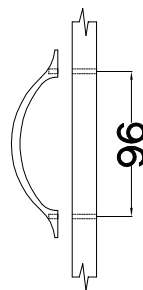
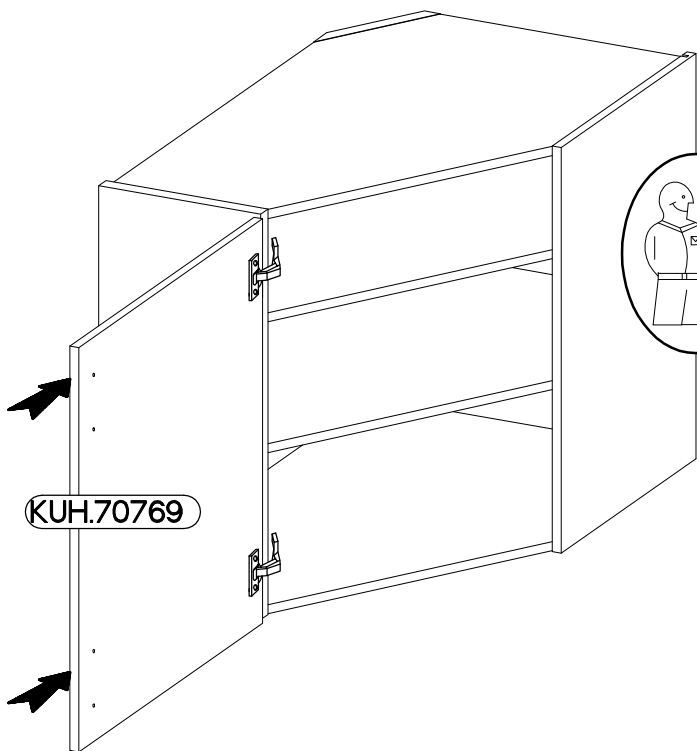
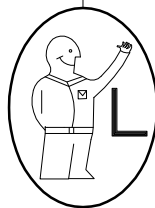
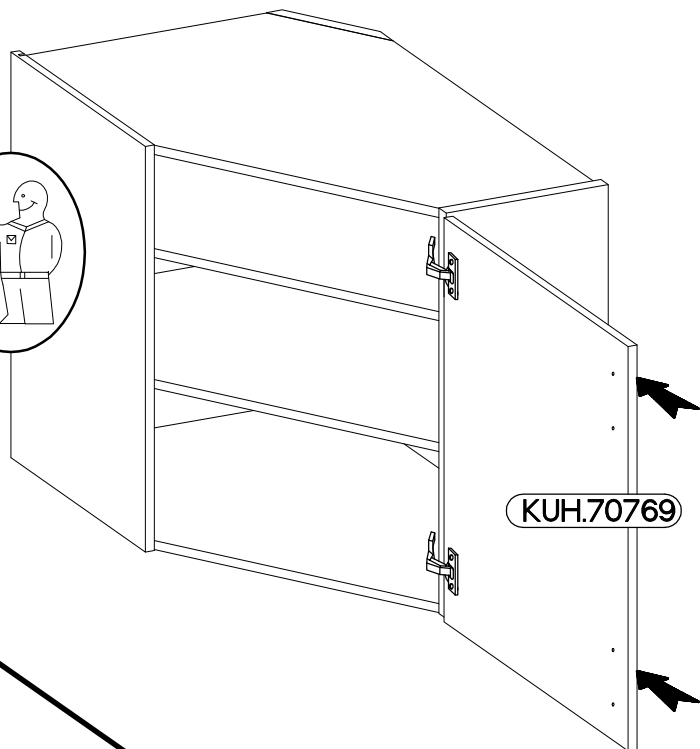
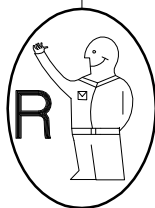
U

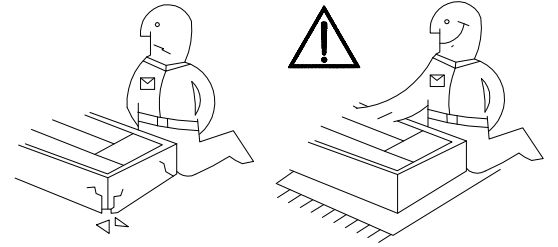
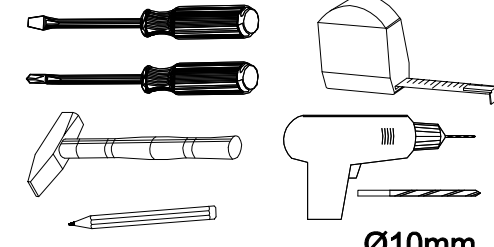
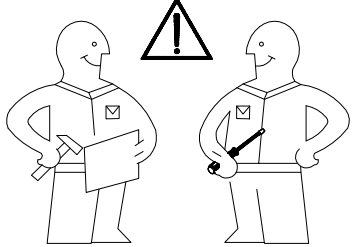
2



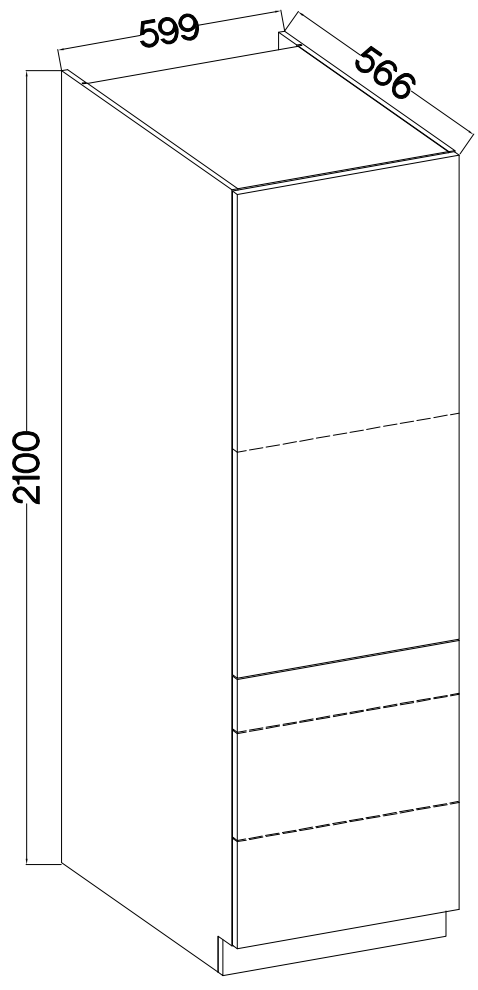
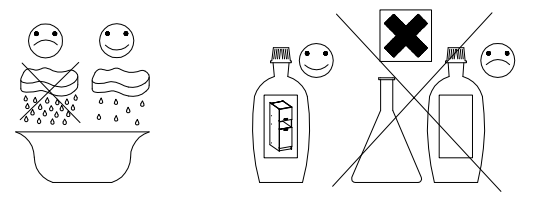
S

1

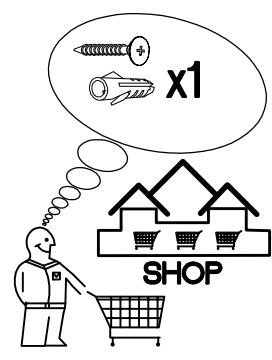
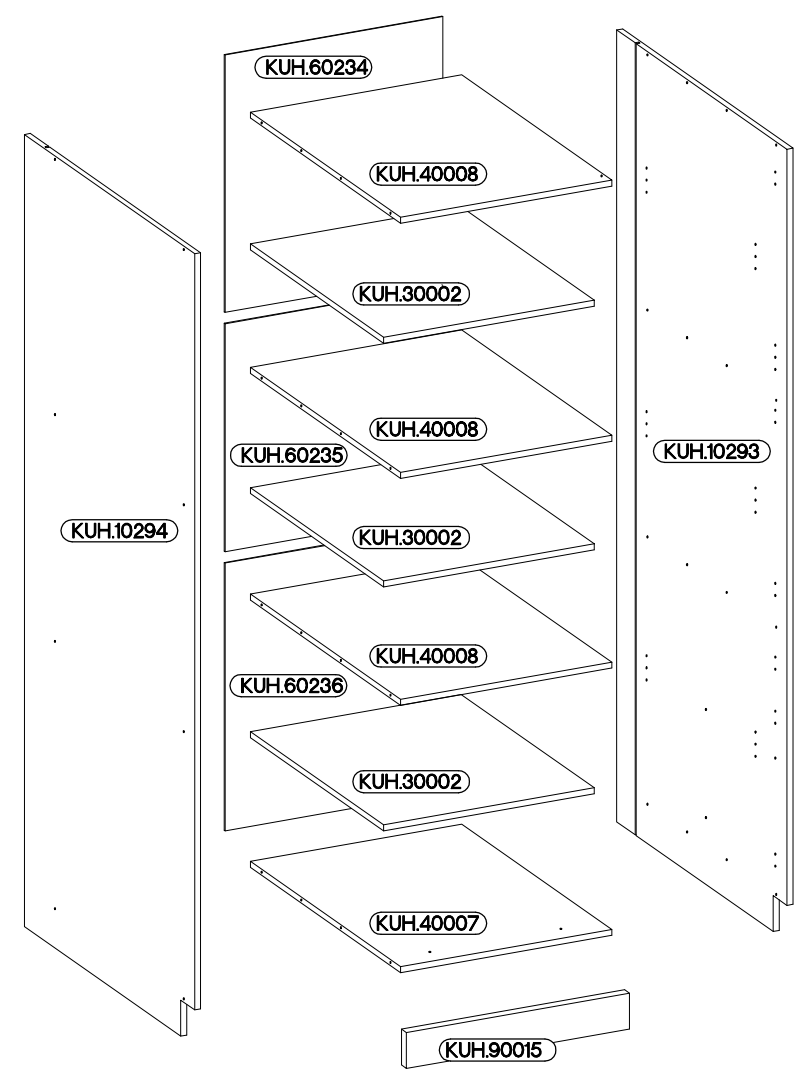
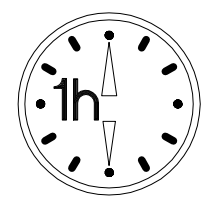




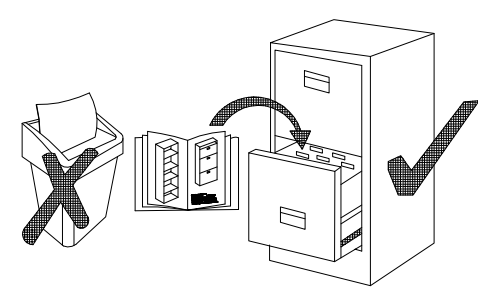
60 DP/DK-2100



max. 10kg
 KUH.30002
 KUH.40007
 KUH.40008

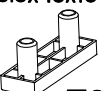
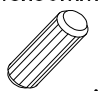


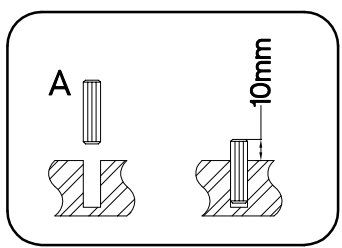
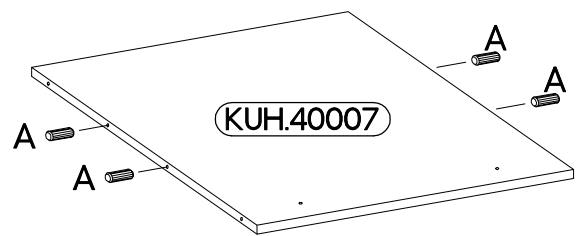
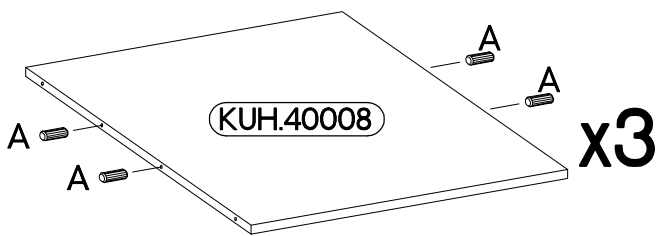
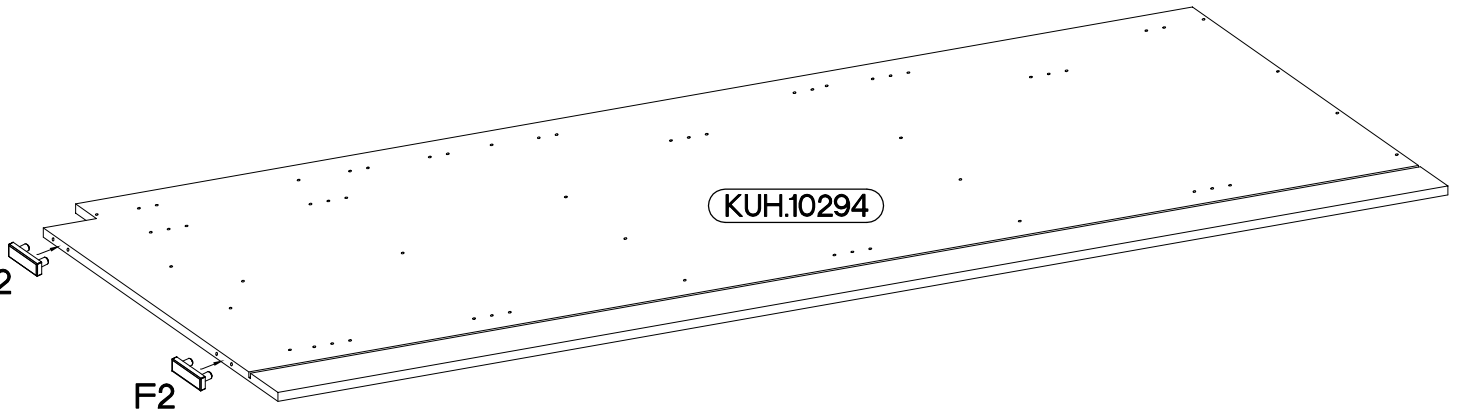
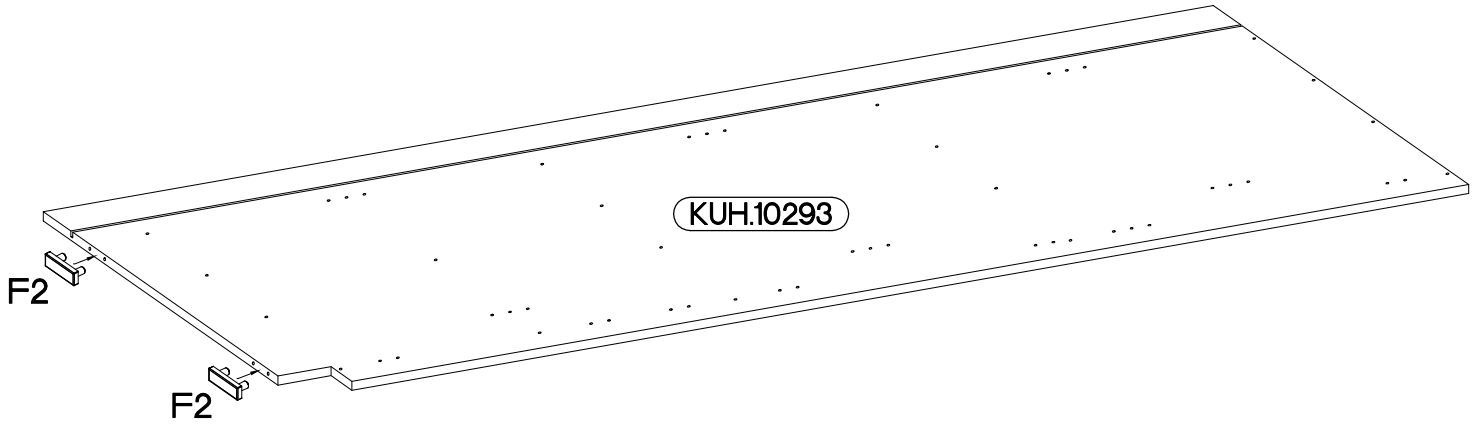
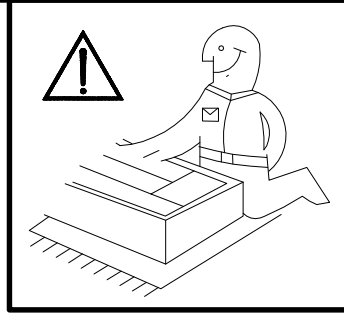
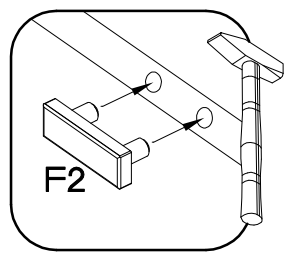
+8x30mm A 16	6,4 x 50mm B 16	E1 16	E9 2	6.5x48x16 F2 4	+35/0mm HG 5	
+5/19mm J 12	L2 8	L25 1	O 1	+4.0x45mm P4 2	+3.5x13mm P5 12	+3.0x20mm P7 15-20



ISM-KUH-01147

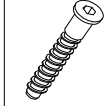
1

6.5x48x16	+8x30mm
	
F2	A
4	16



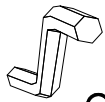
2

6,4 x 50mm



B

8



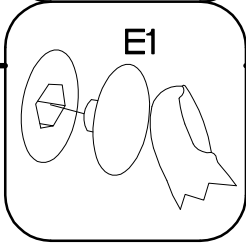
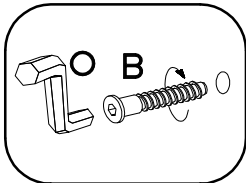
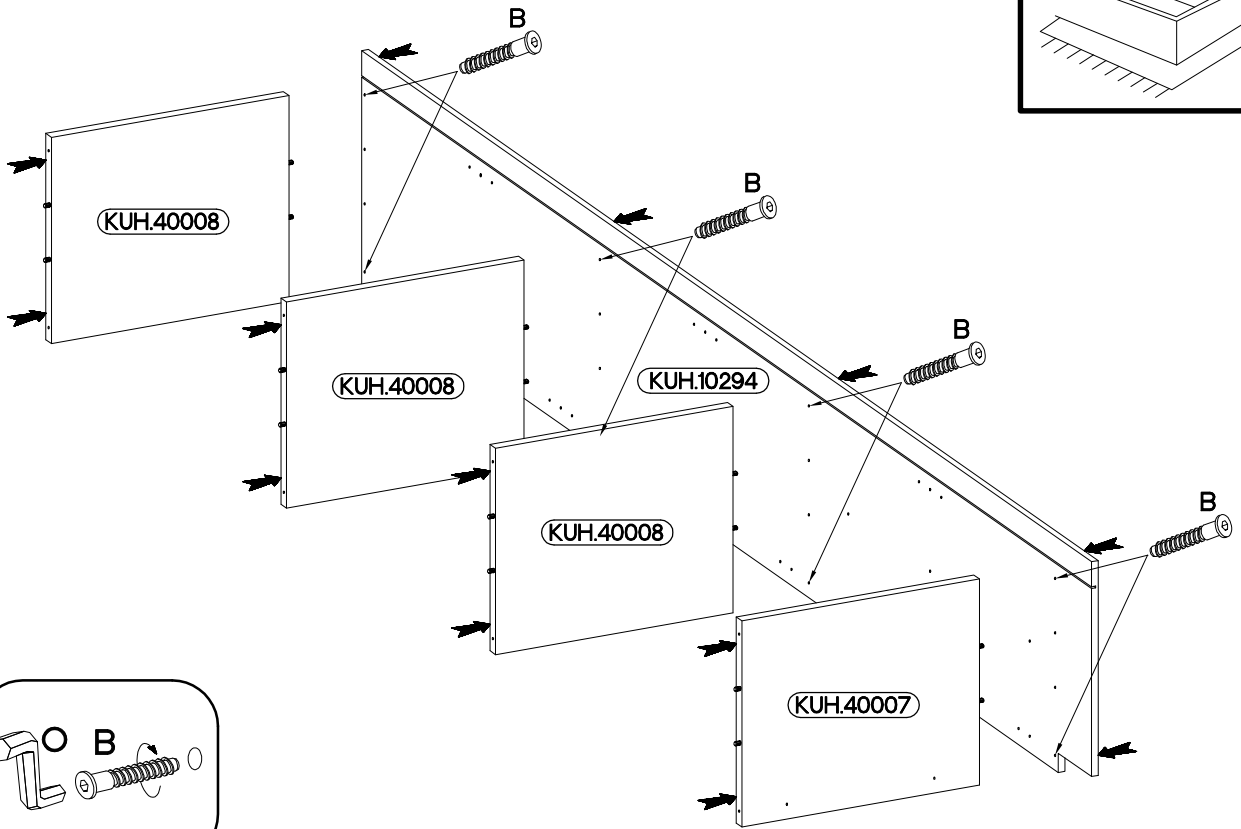
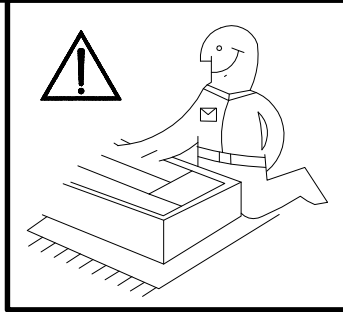
O

1

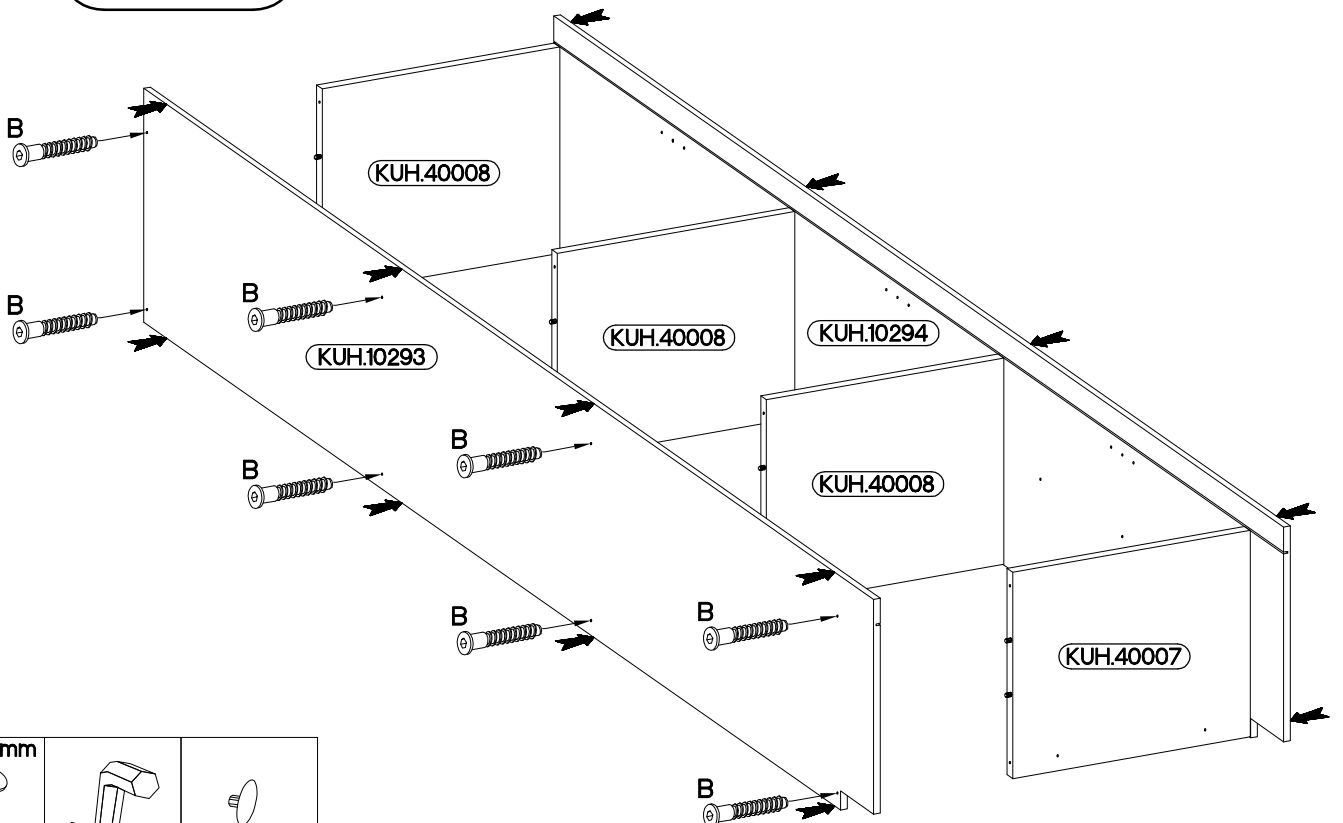


E1

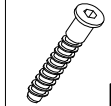
8



3

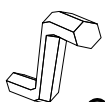


6,4 x 50mm



B

8



O

1

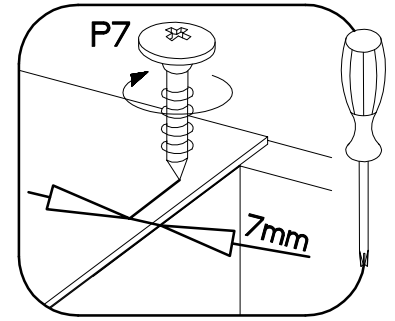
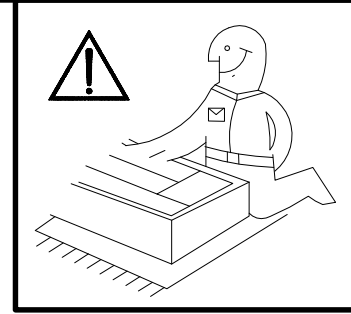
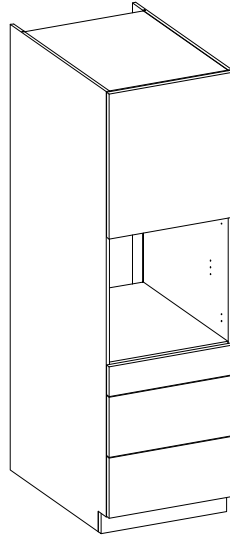
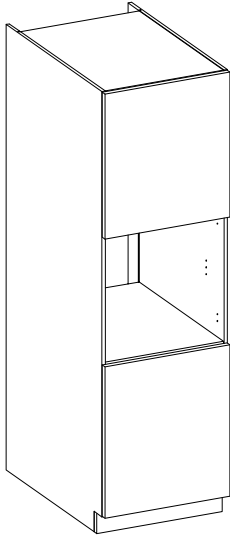


E1

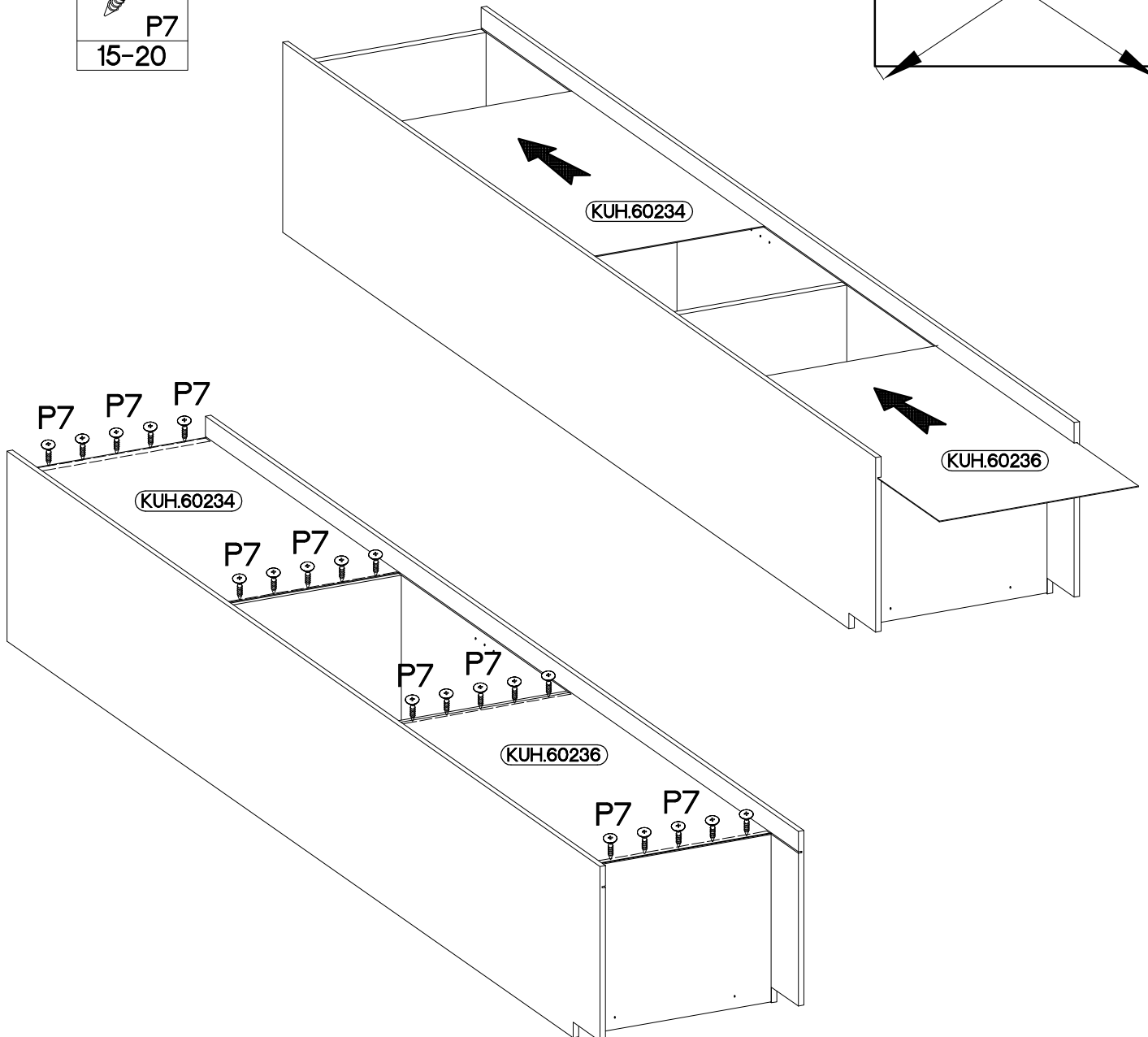
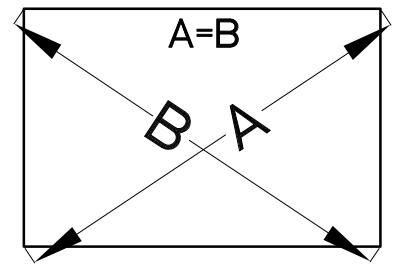
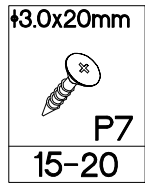
8

60 DP-2100 2F

60 DPS-2100 1F 3S

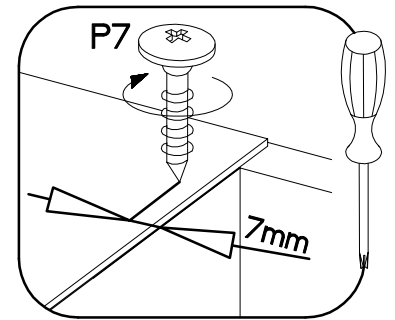
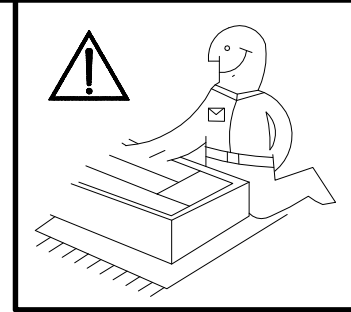
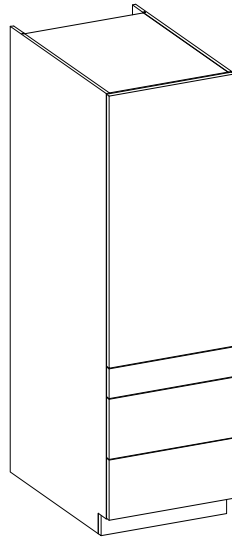
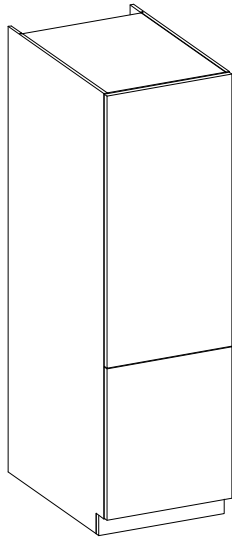


4



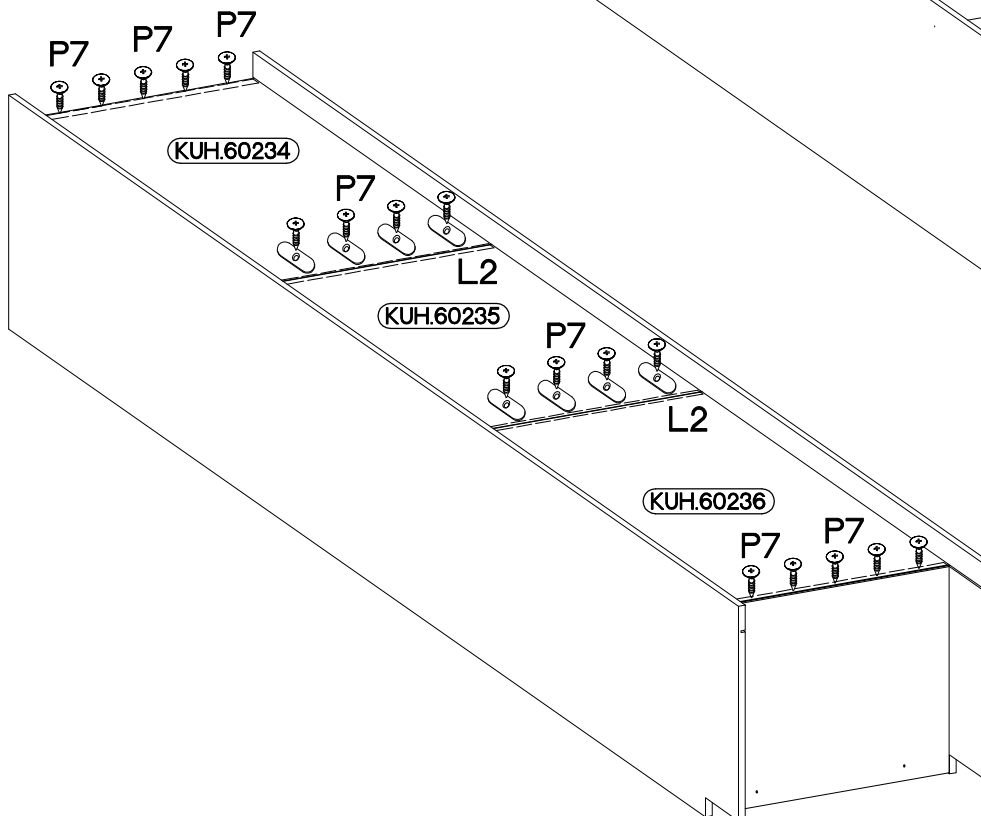
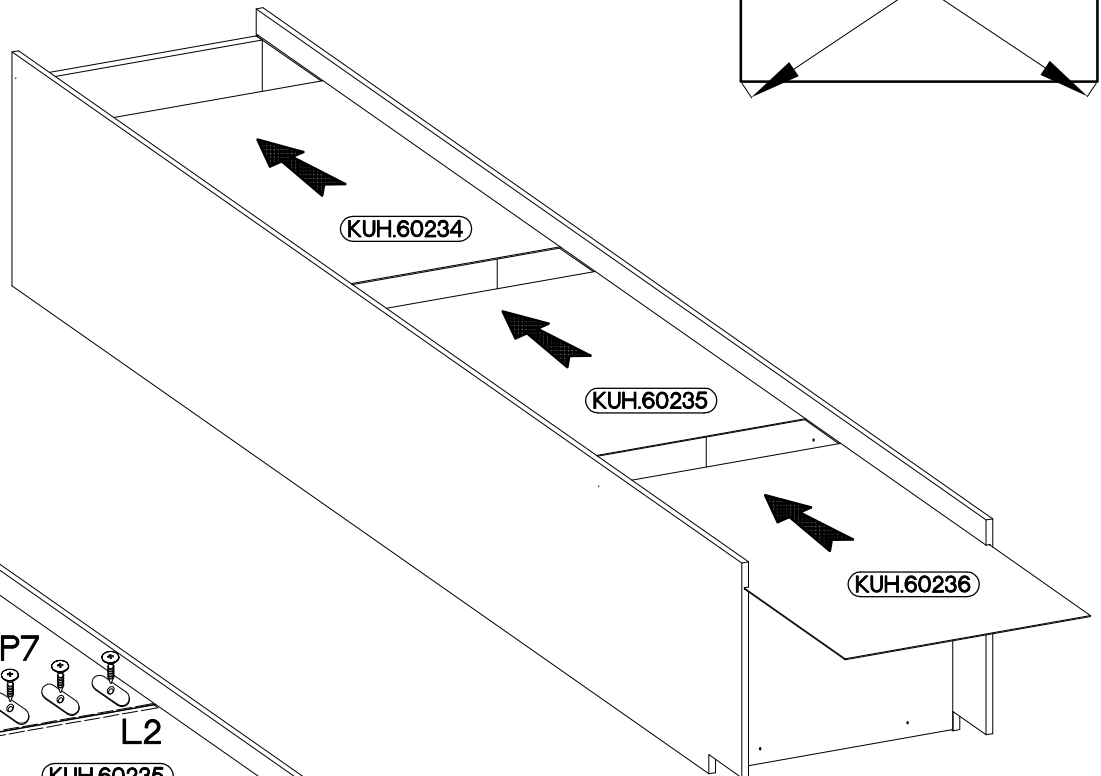
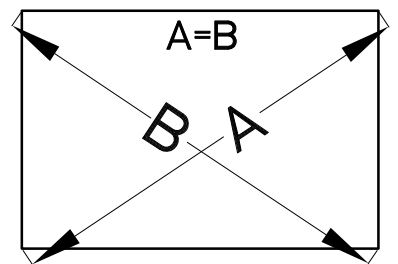
60 DK-2100 2F

60 DKS-2100 1F 3S



5

±3.0x20mm	
P7	L2
15-20	8



6

+4.0x45mm



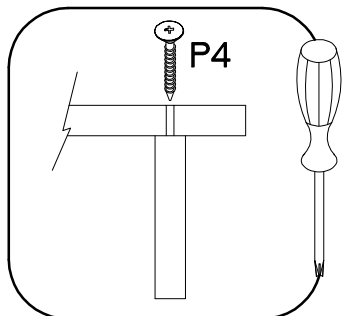
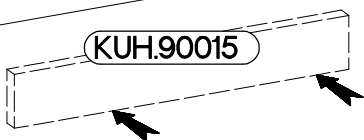
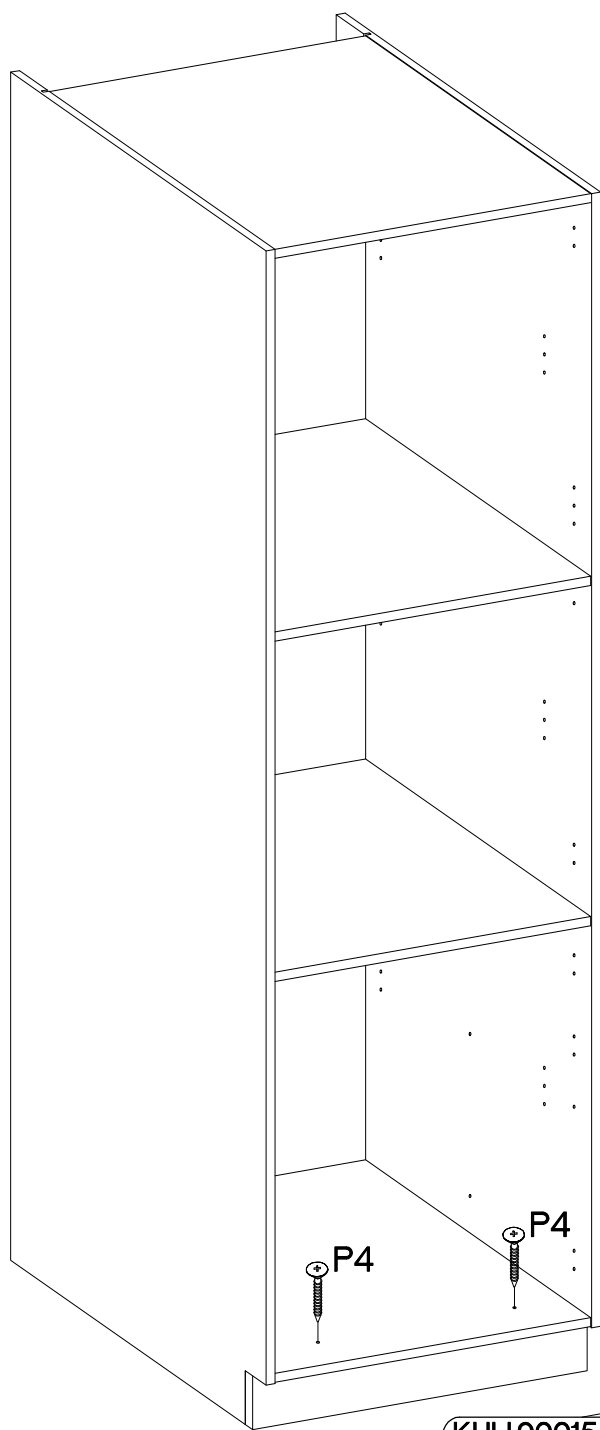
P4

2



E9

2



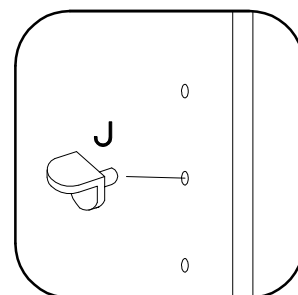
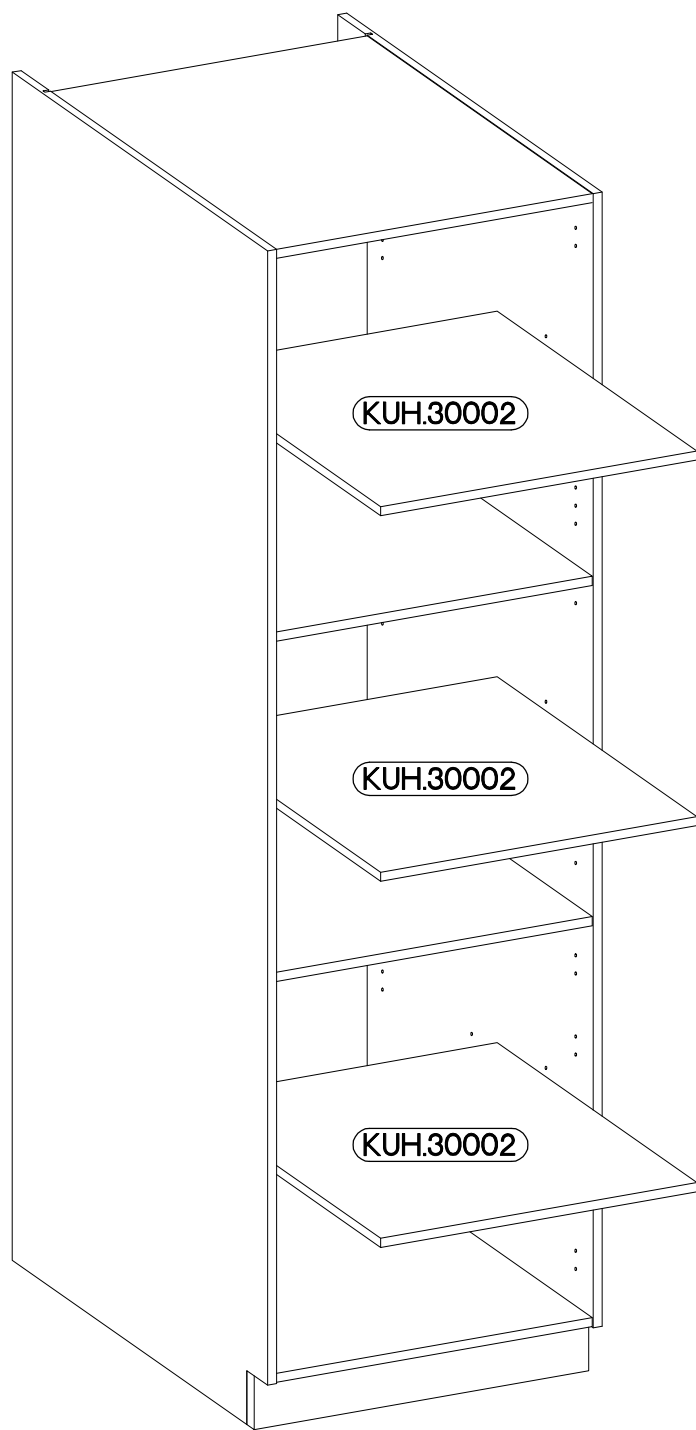
7

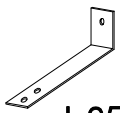

+5/19mm

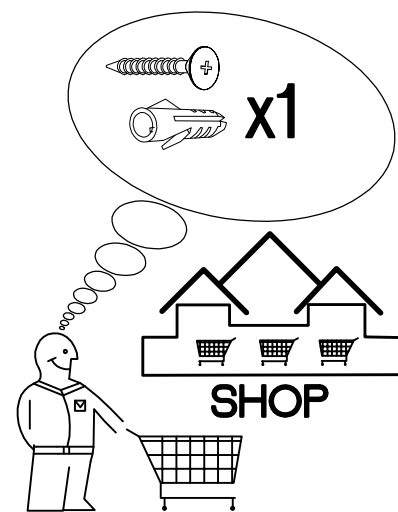
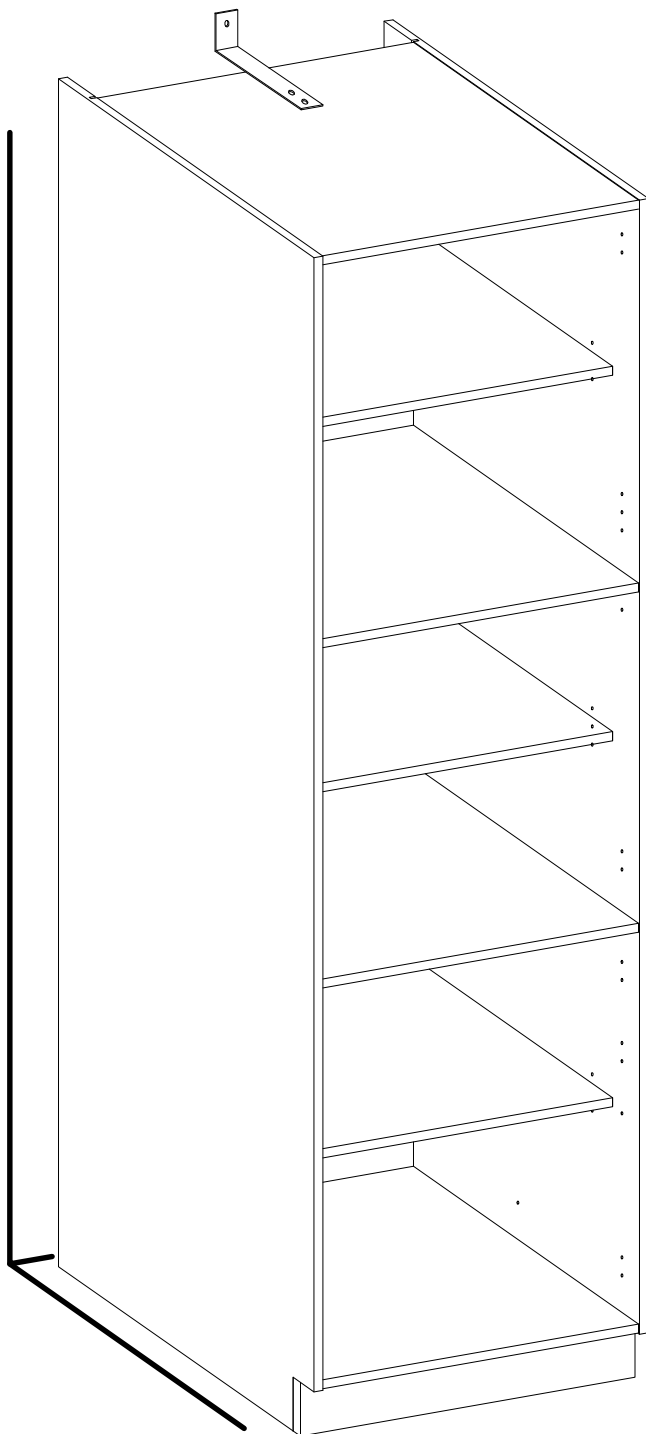
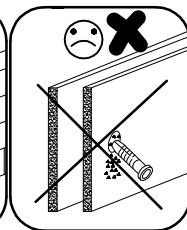
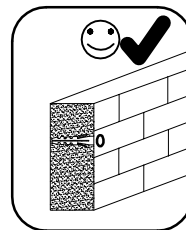
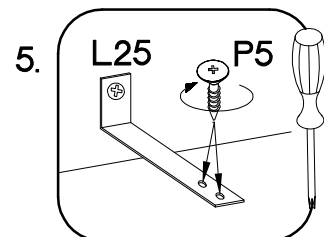
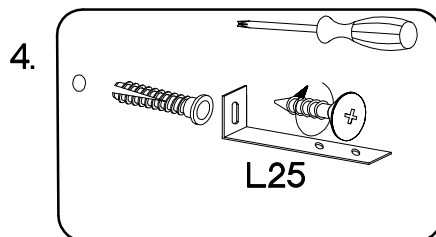
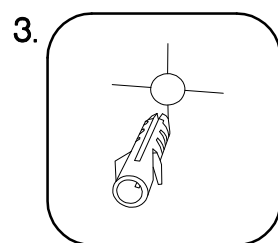
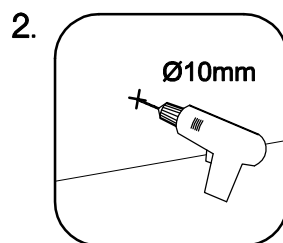
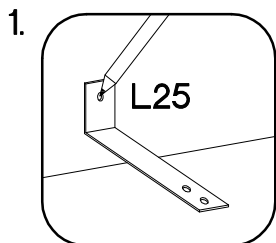


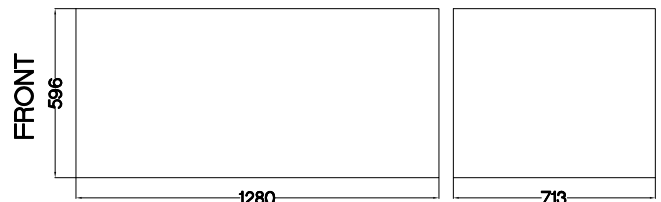
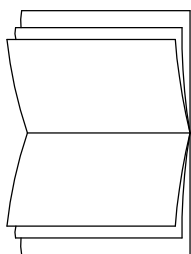
J

12

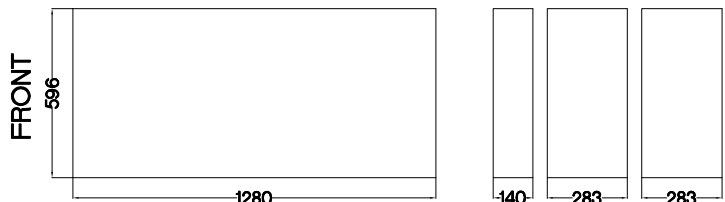
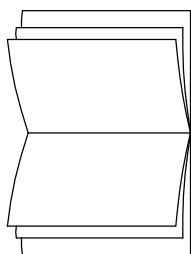
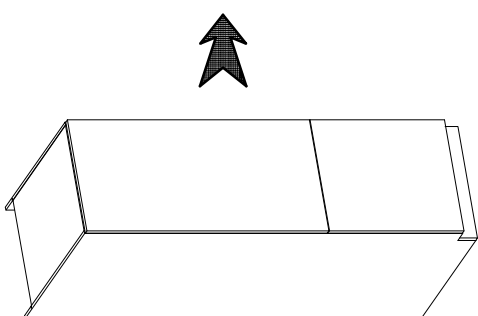


 L25 1	$\pm 3.5 \times 13 \text{mm}$  P5 2
----------------------------------------------------------------------------------------------	------------------------------------------------------------------------------------------------------------------------------

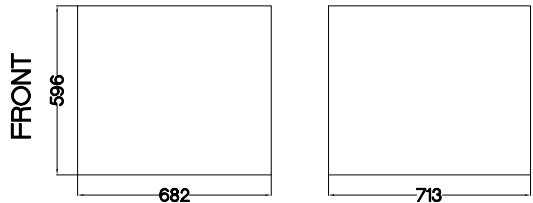
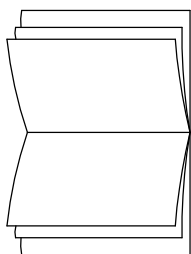
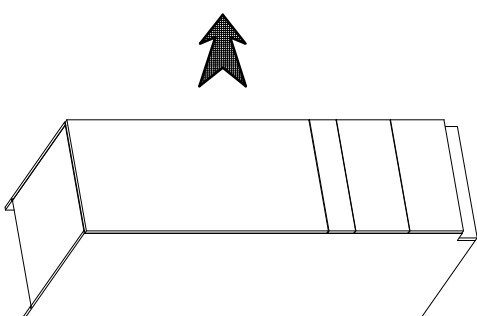




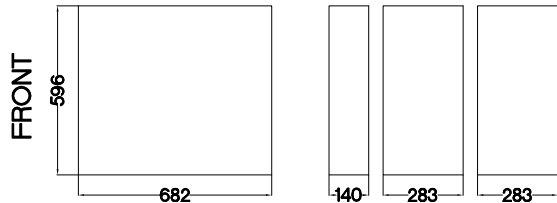
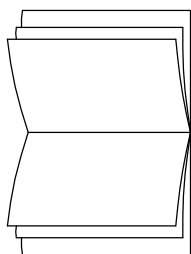
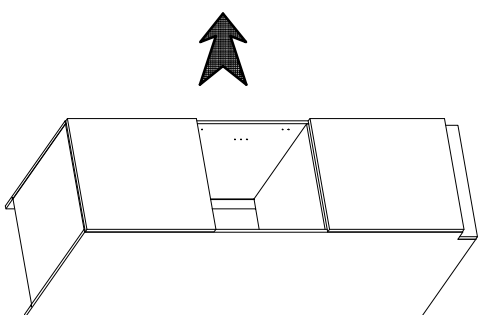
60 DK-2100 2F



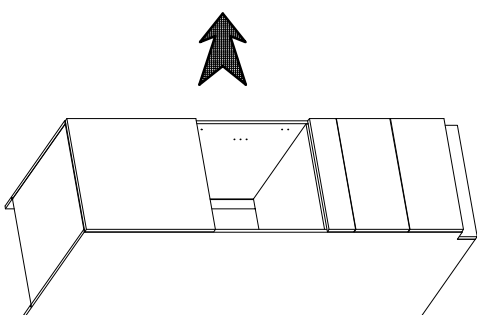
60 DKS-2100 1F 3S



60 DP-2100 2F



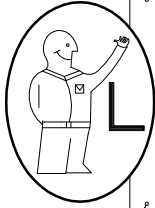
60 DPS-2100 1F 3S



1

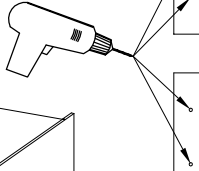
LEFT

RIGHT



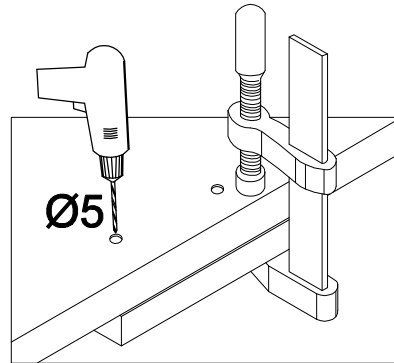
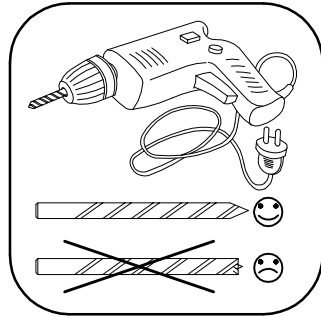
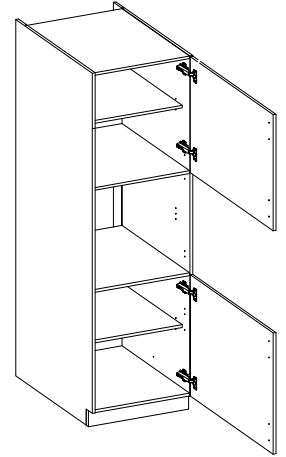
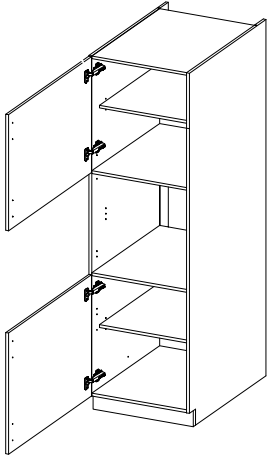
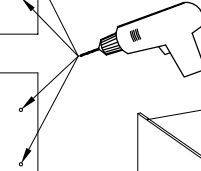
KUH.70783

KUH.70783





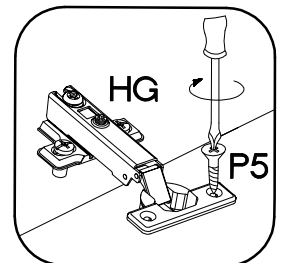
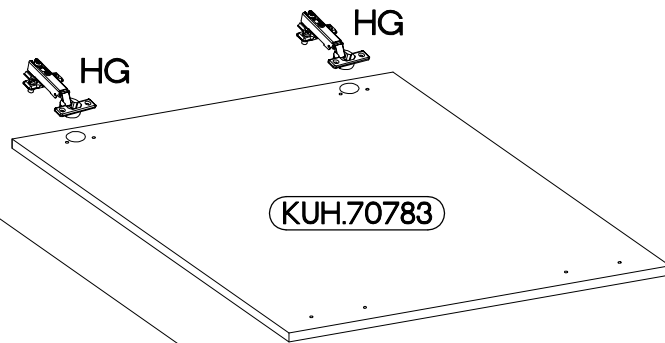
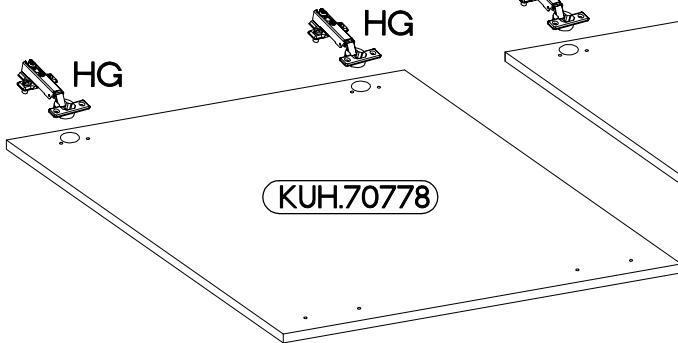
KUH.70778

KUH.70778



2

±35/0mm  HG 4	±3.5x13mm  P5 8
-----------------------------------------------------------------------------------------------------------	-------------------------------------------------------------------------------------------------------------



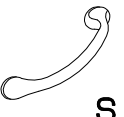
3

M4x22mm



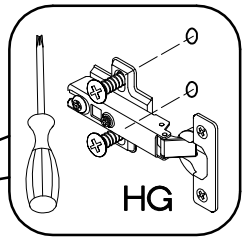
U

4



S

2



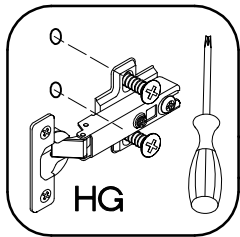
HG



R

KUH.70783

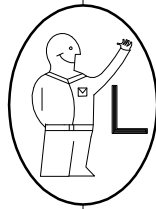
KUH.70778



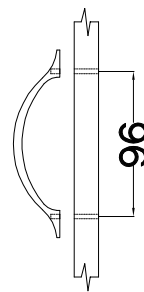
HG

KUH.70783

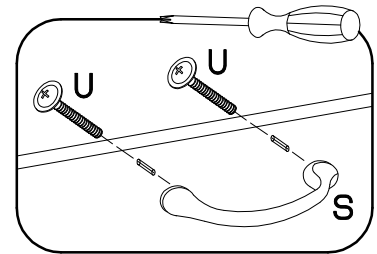
KUH.70778



L



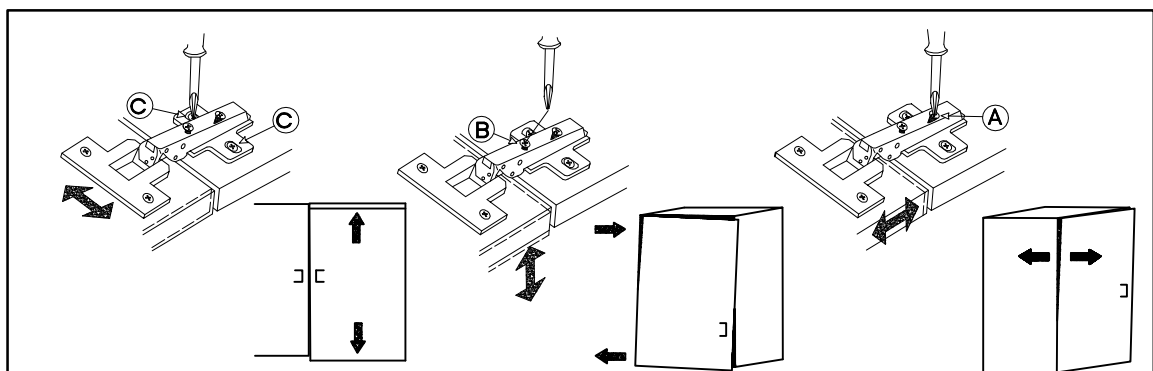
96

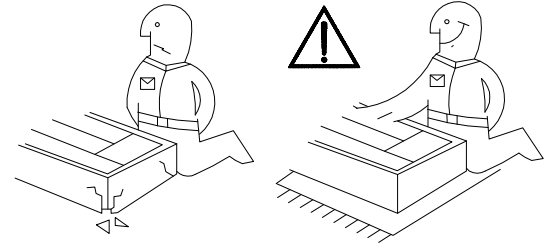
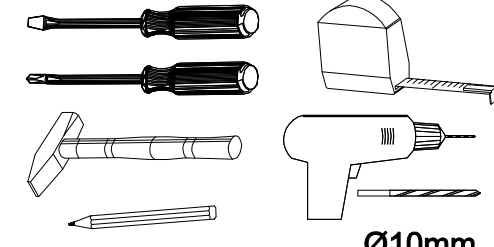
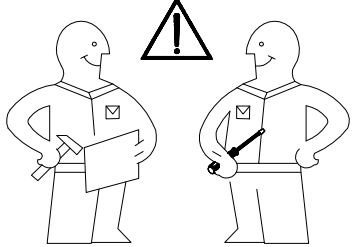


U

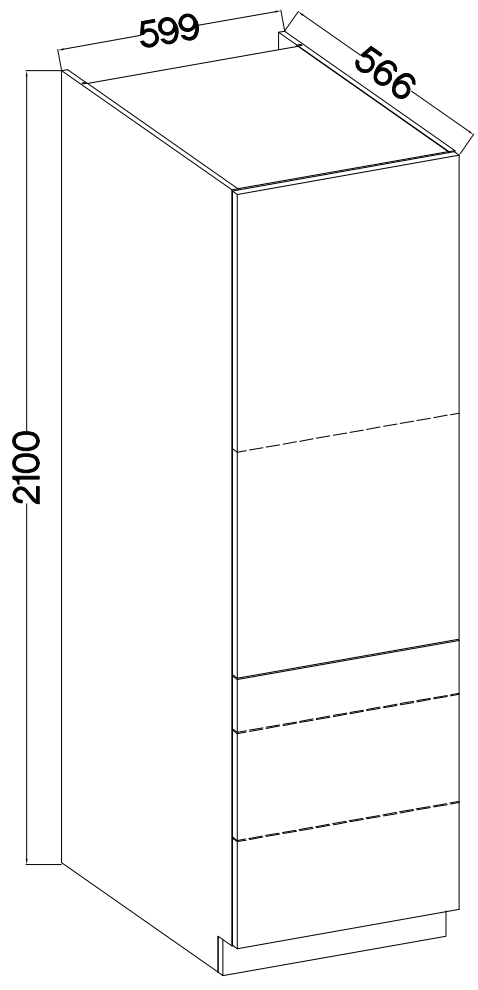
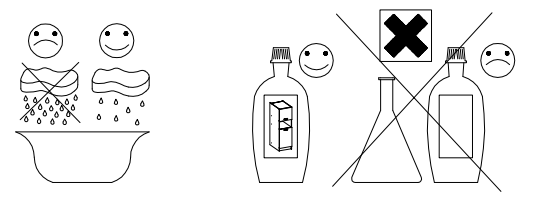
U

S

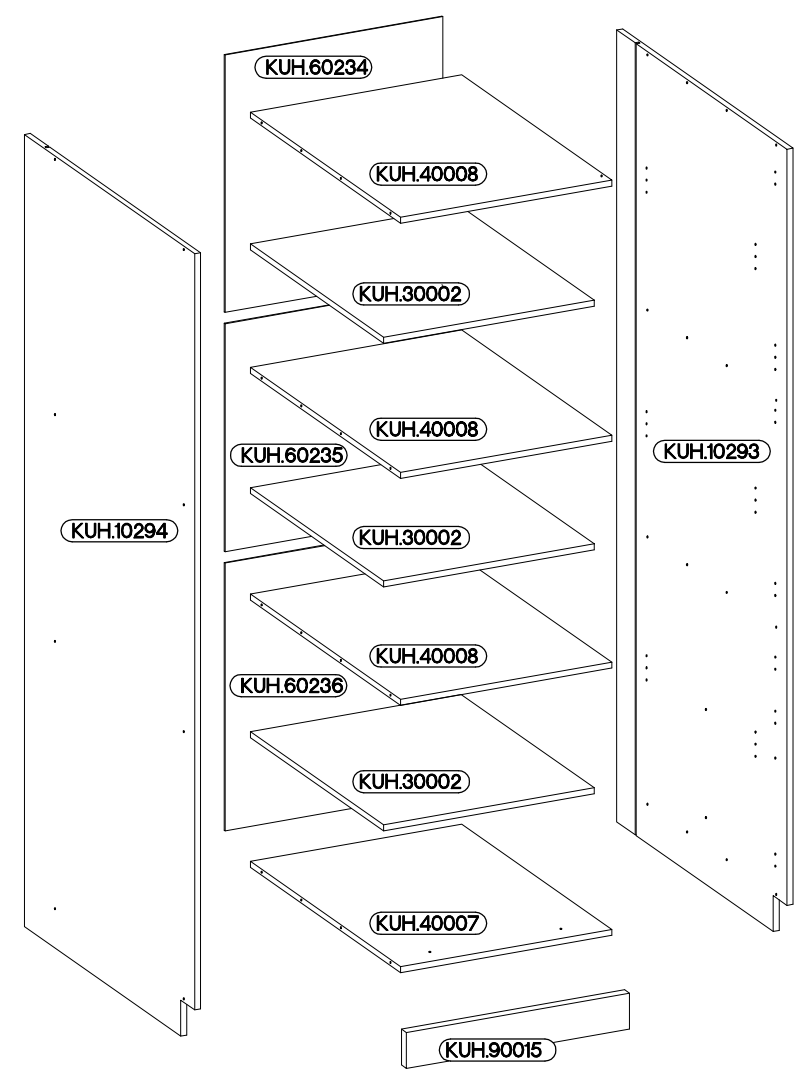
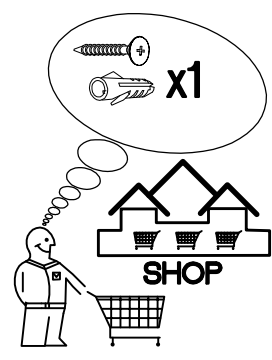
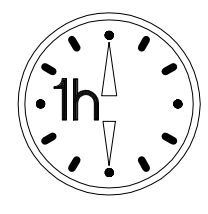




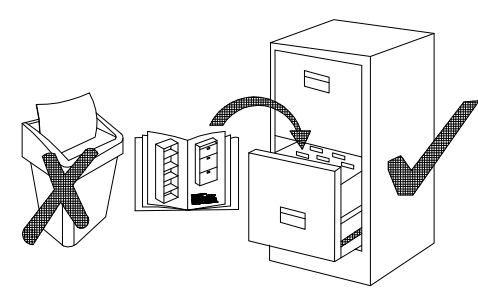
60 DP/DK-2100



max. 10kg
 KUH.30002
 KUH.40007
 KUH.40008

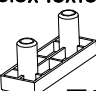
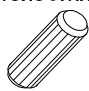


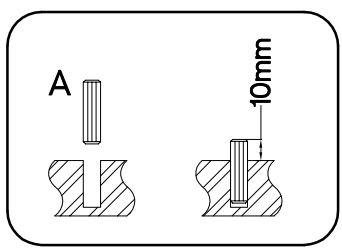
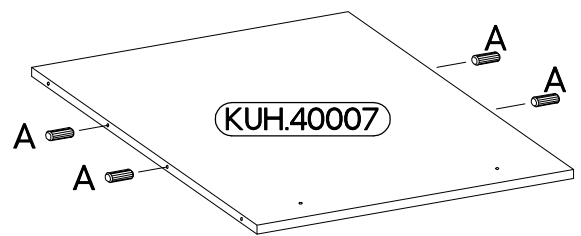
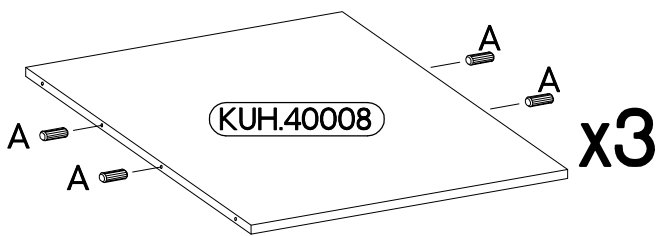
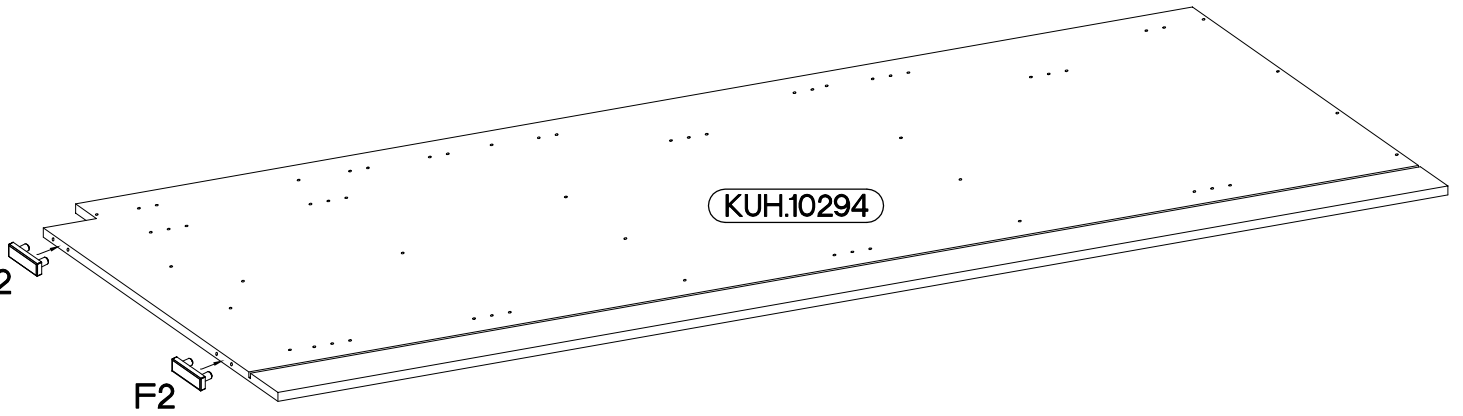
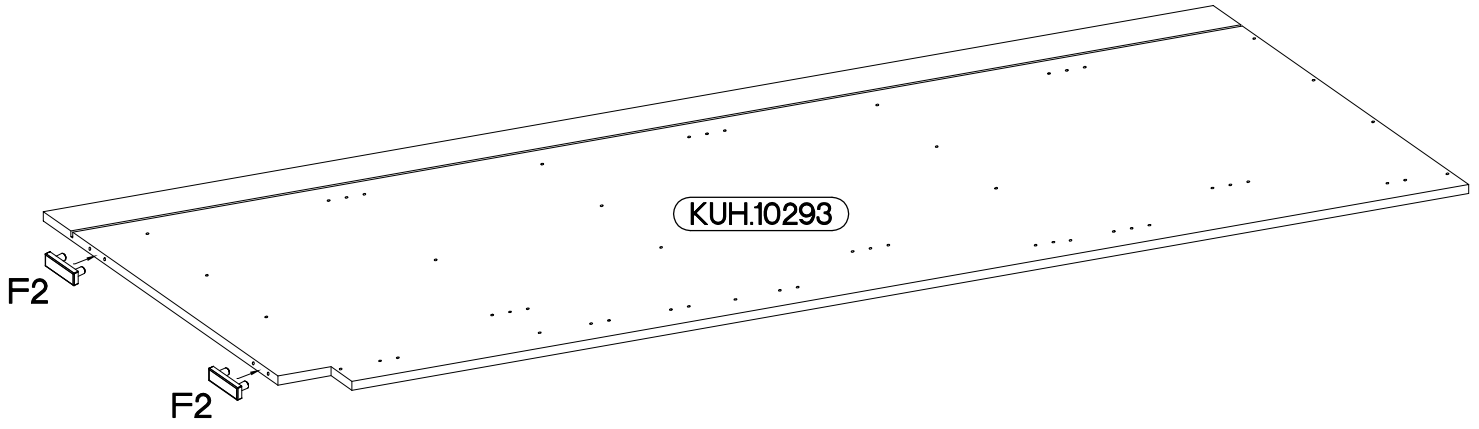
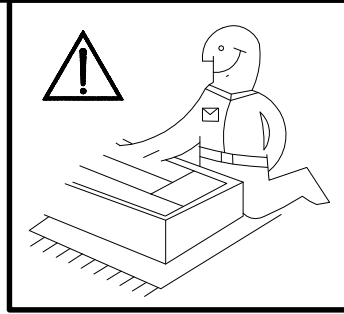
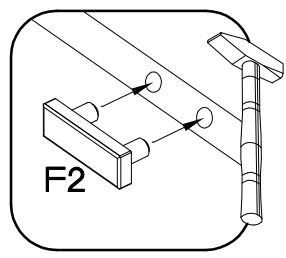
+8x30mm A 16	6,4 x 50mm B 16	E1 16	E9 2	6.5x48x16 F2 4	+35/0mm HG 5
+5/19mm J 12	L2 8	L25 1	O 1	+4.0x45mm P4 2	+3.5x13mm P5 12
				+3.0x20mm P7 15-20	



ISM-KUH-01147

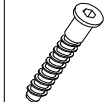
1

6.5x48x16	+8x30mm
	
F2	A
4	16



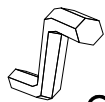
2

6,4 x 50mm



B

8



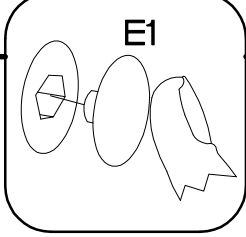
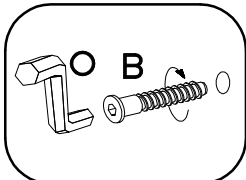
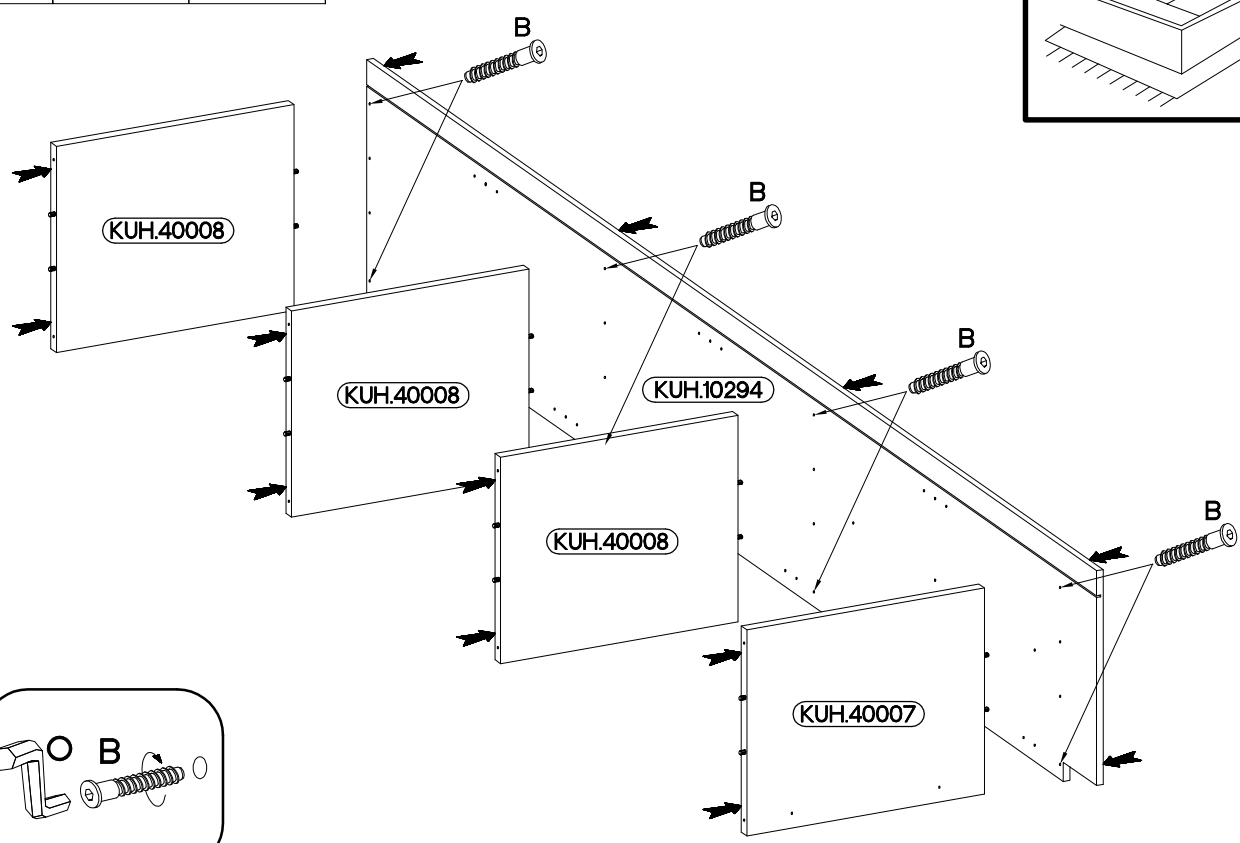
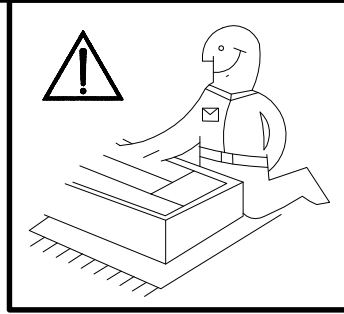
O

1

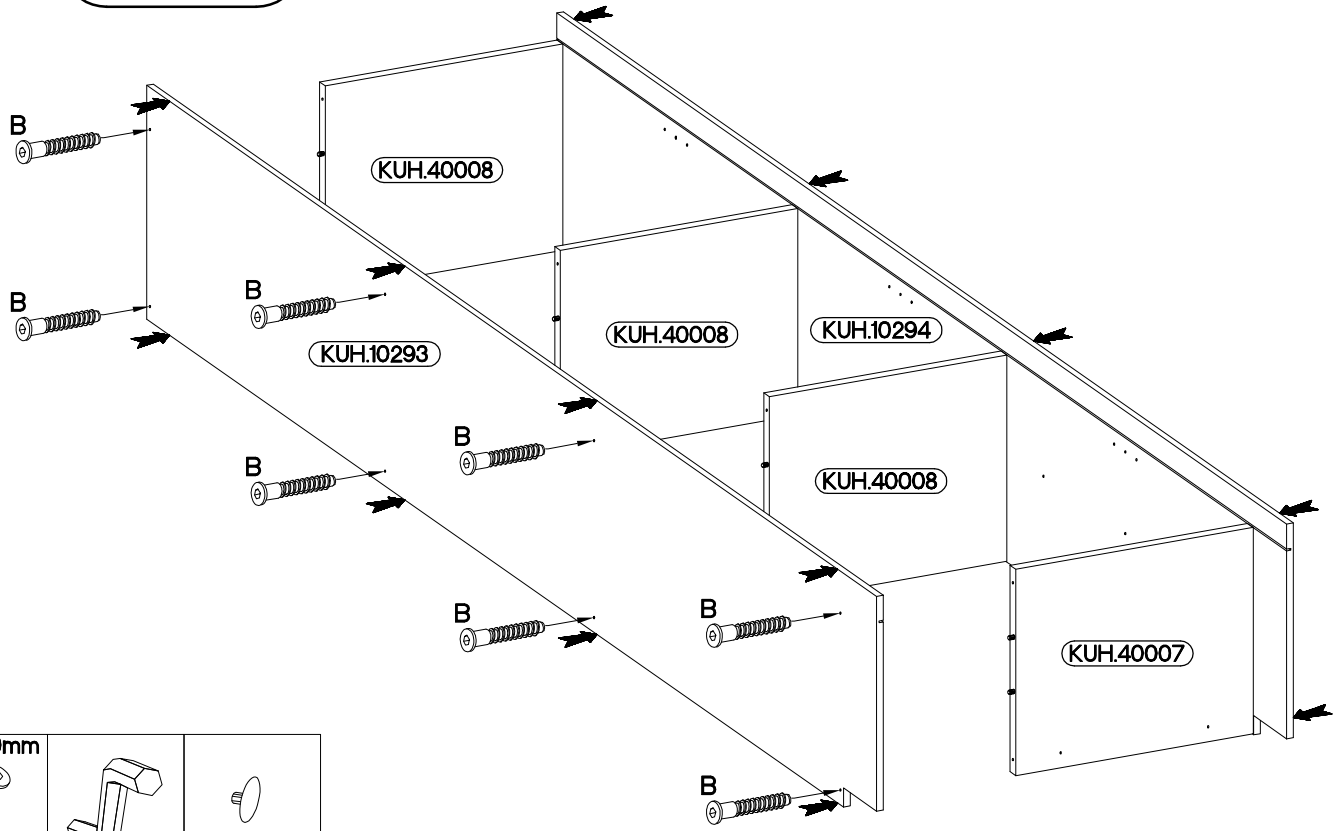


E1

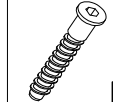
8



3

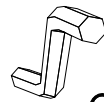


6,4 x 50mm



B

8



O

1

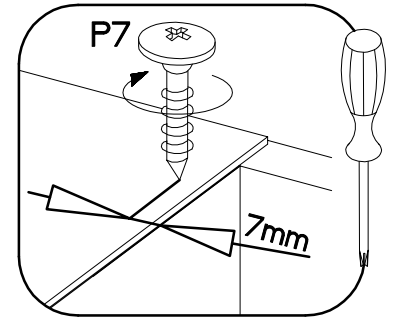
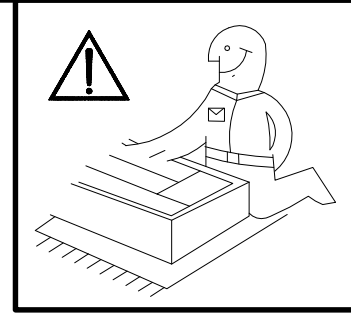
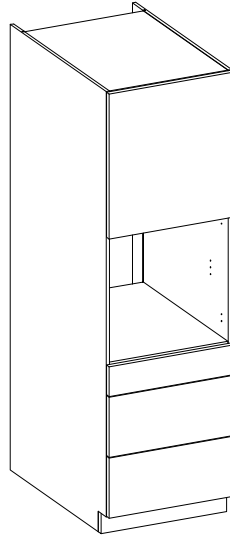
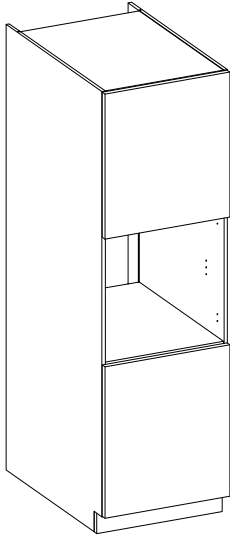


E1

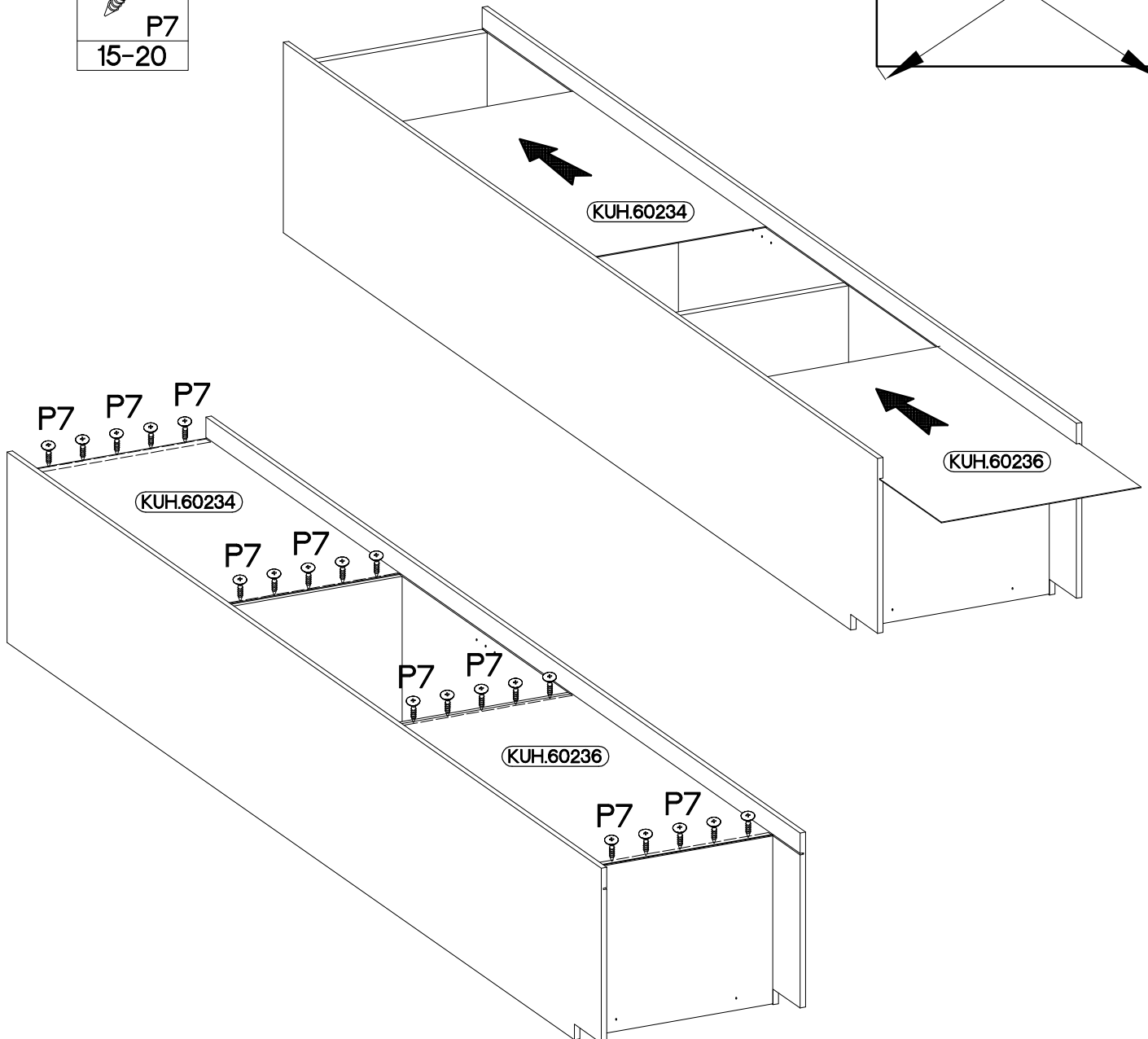
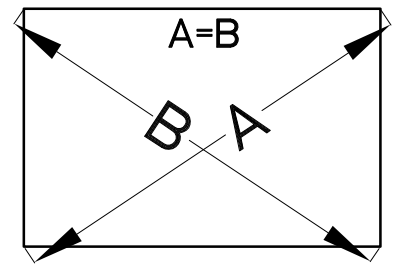
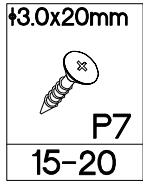
8

60 DP-2100 2F

60 DPS-2100 1F 3S

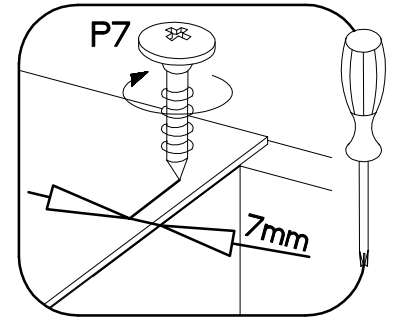
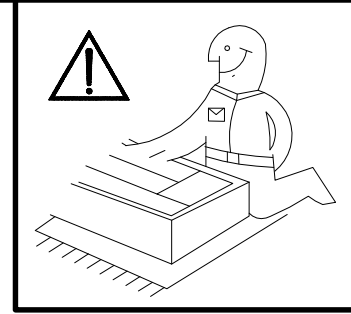
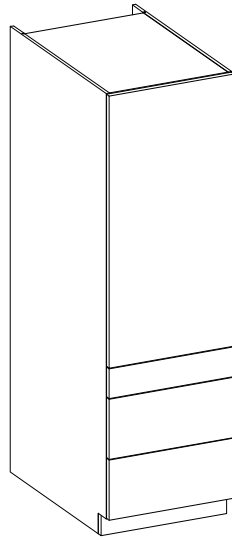
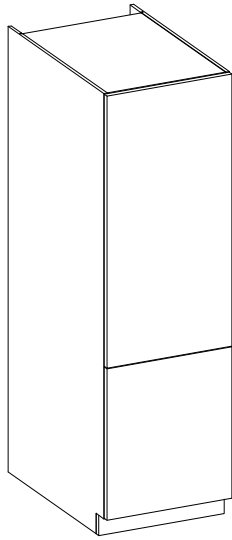


4



60 DK-2100 2F

60 DKS-2100 1F 3S



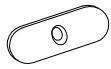
5

±3.0x20mm



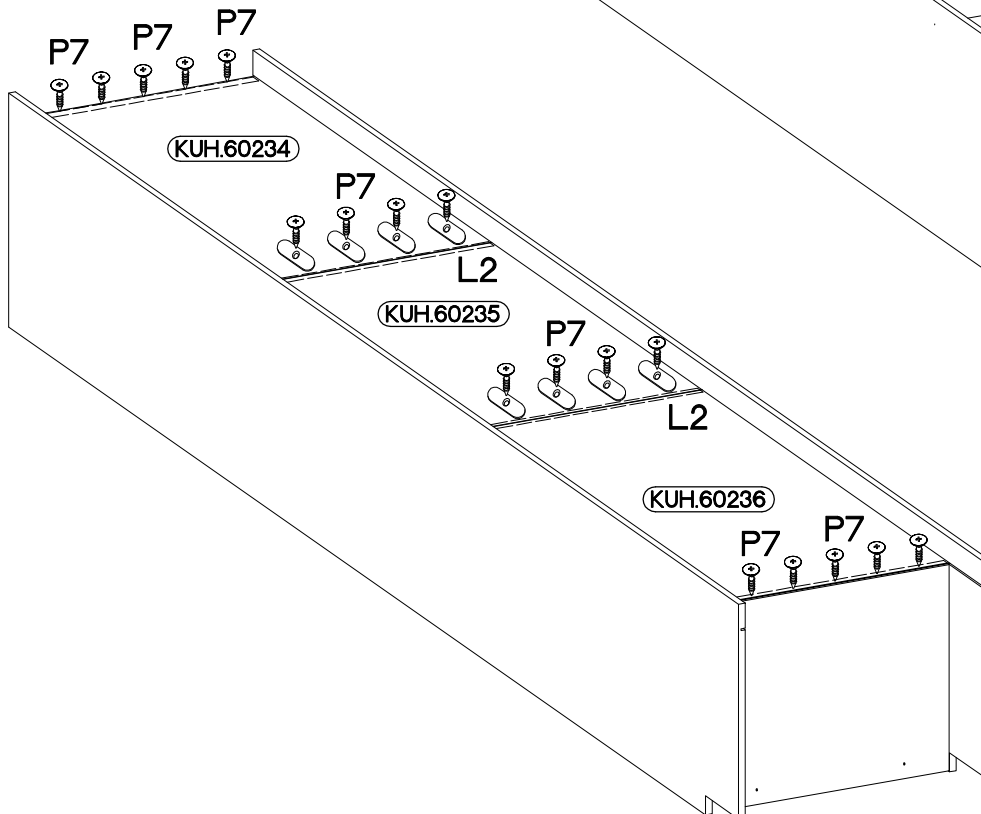
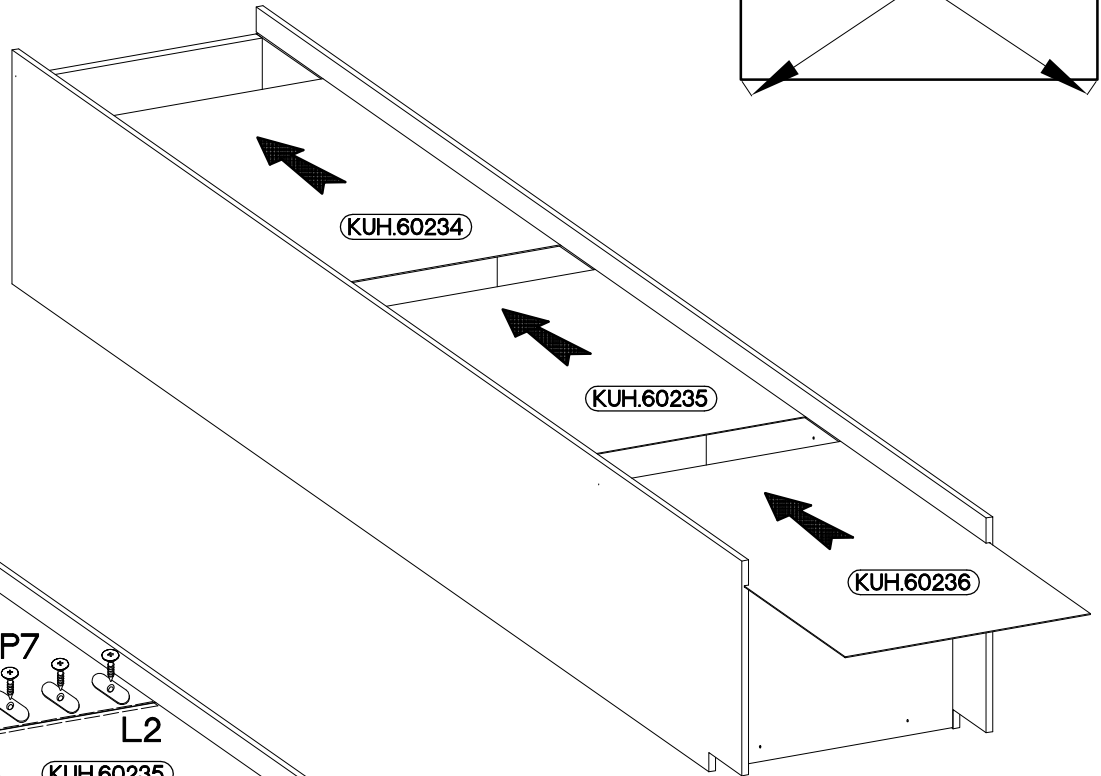
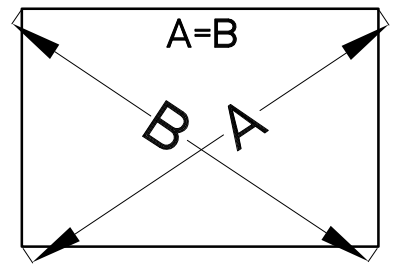
P7

15-20



L2

8



6

+4.0x45mm



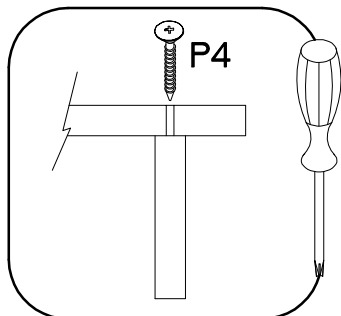
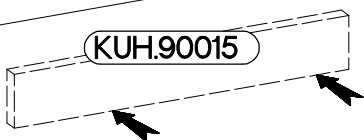
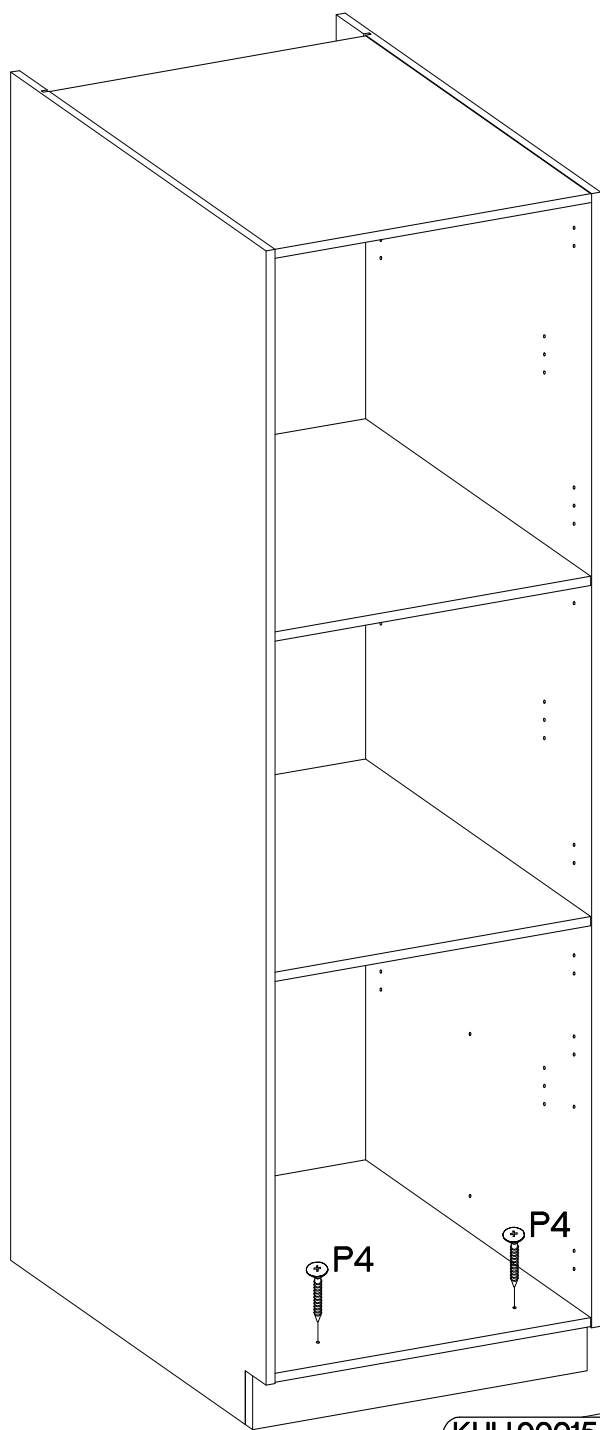
P4

2



E9

2



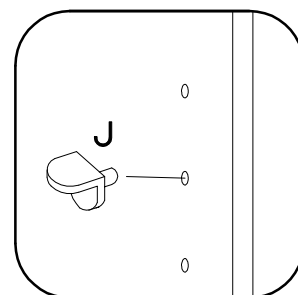
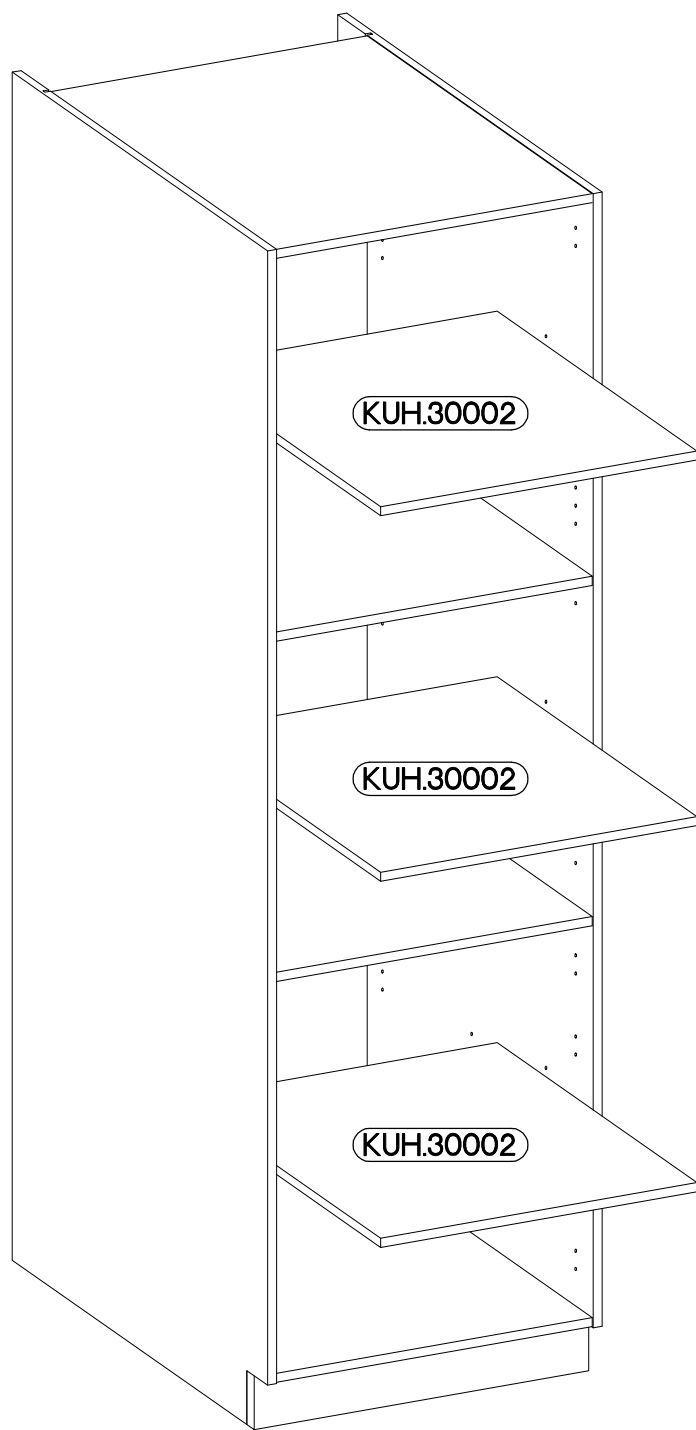
7

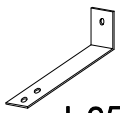

+5/19mm

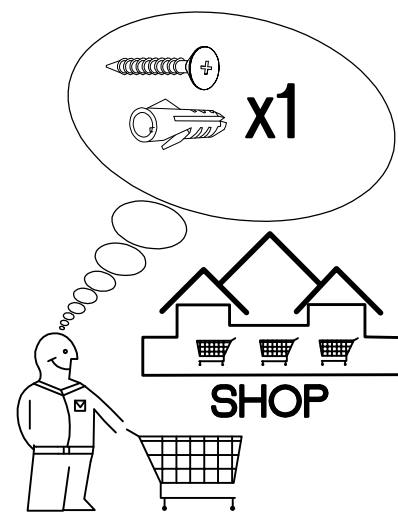
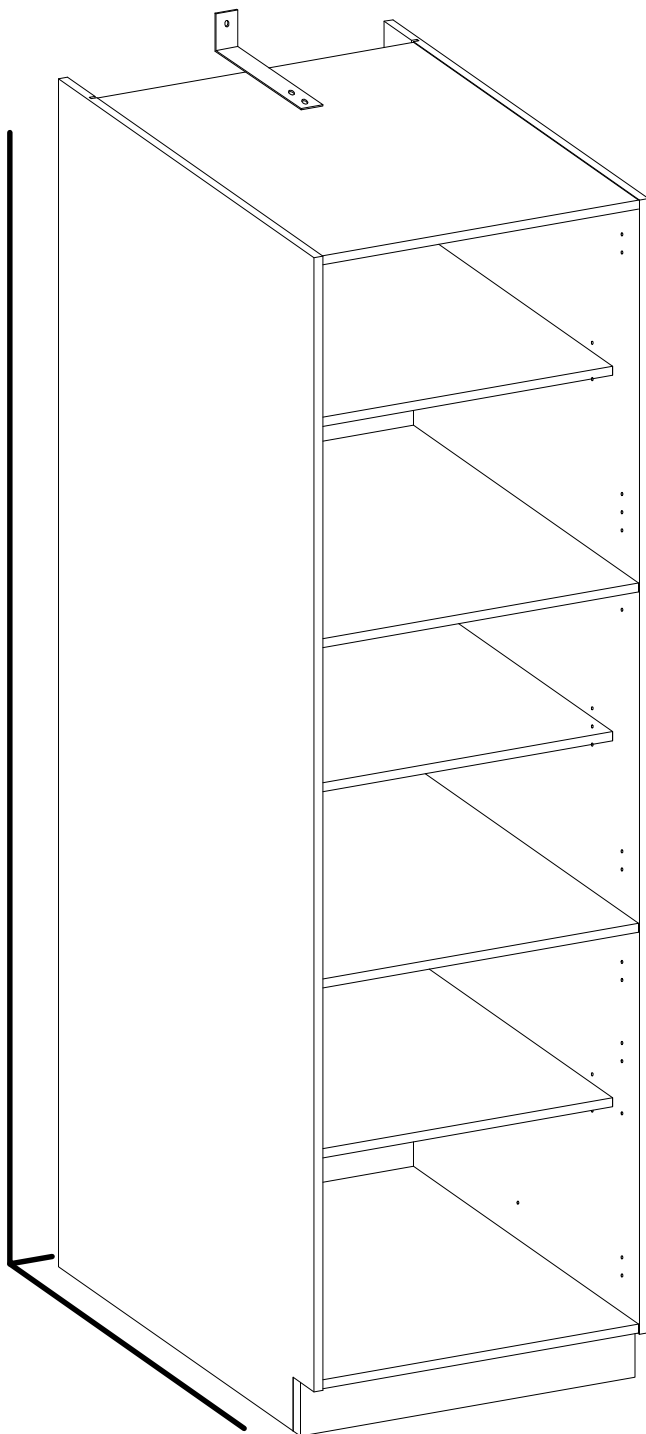
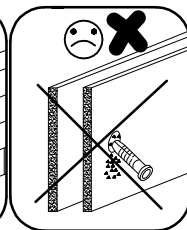
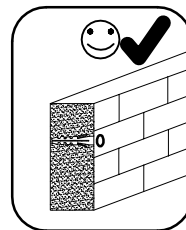
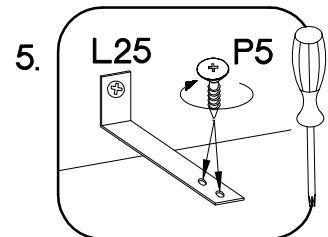
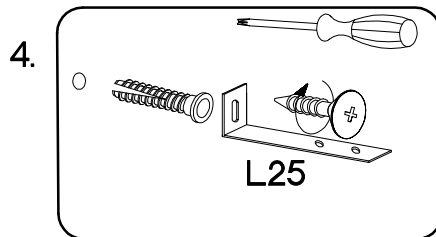
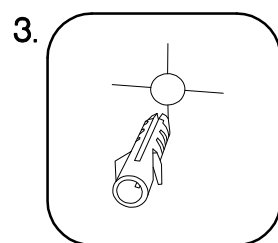
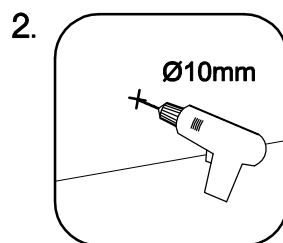
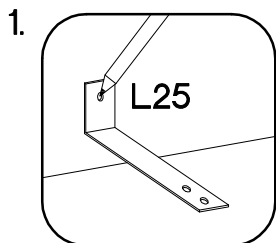


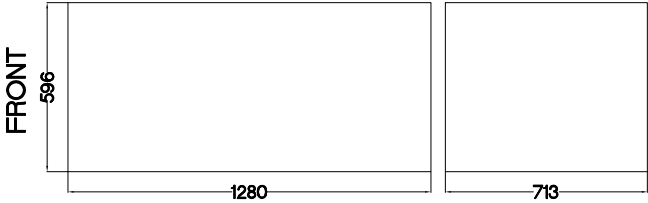
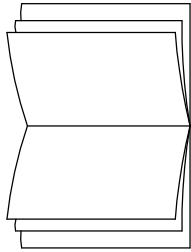
J

12

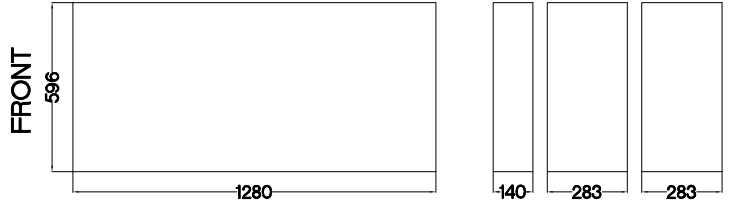
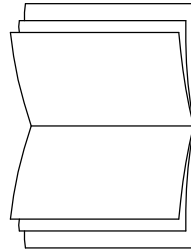
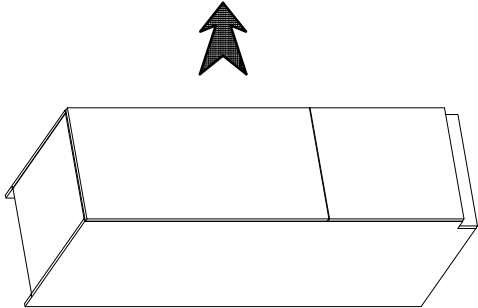


 L25 1	$\pm 3.5 \times 13 \text{mm}$  P5 2
----------------------------------------------------------------------------------------------	------------------------------------------------------------------------------------------------------------------------------

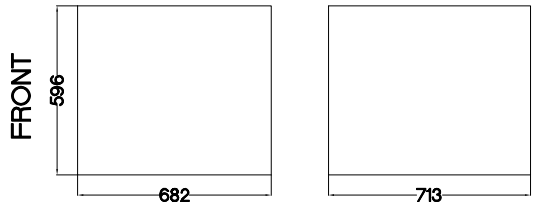
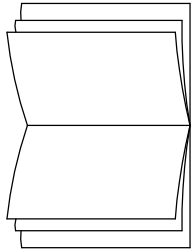
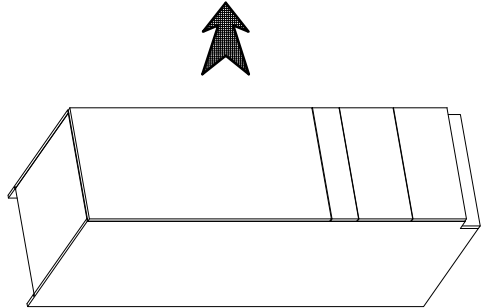




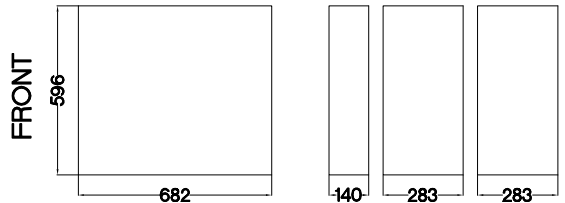
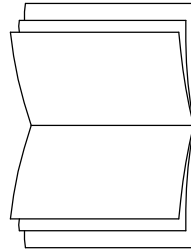
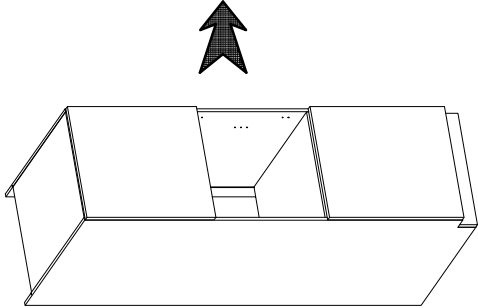
60 DK-2100 2F



60 DKS-2100 1F 3S



60 DP-2100 2F



60 DPS-2100 1F 3S

