





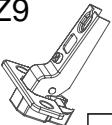
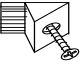


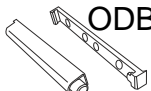


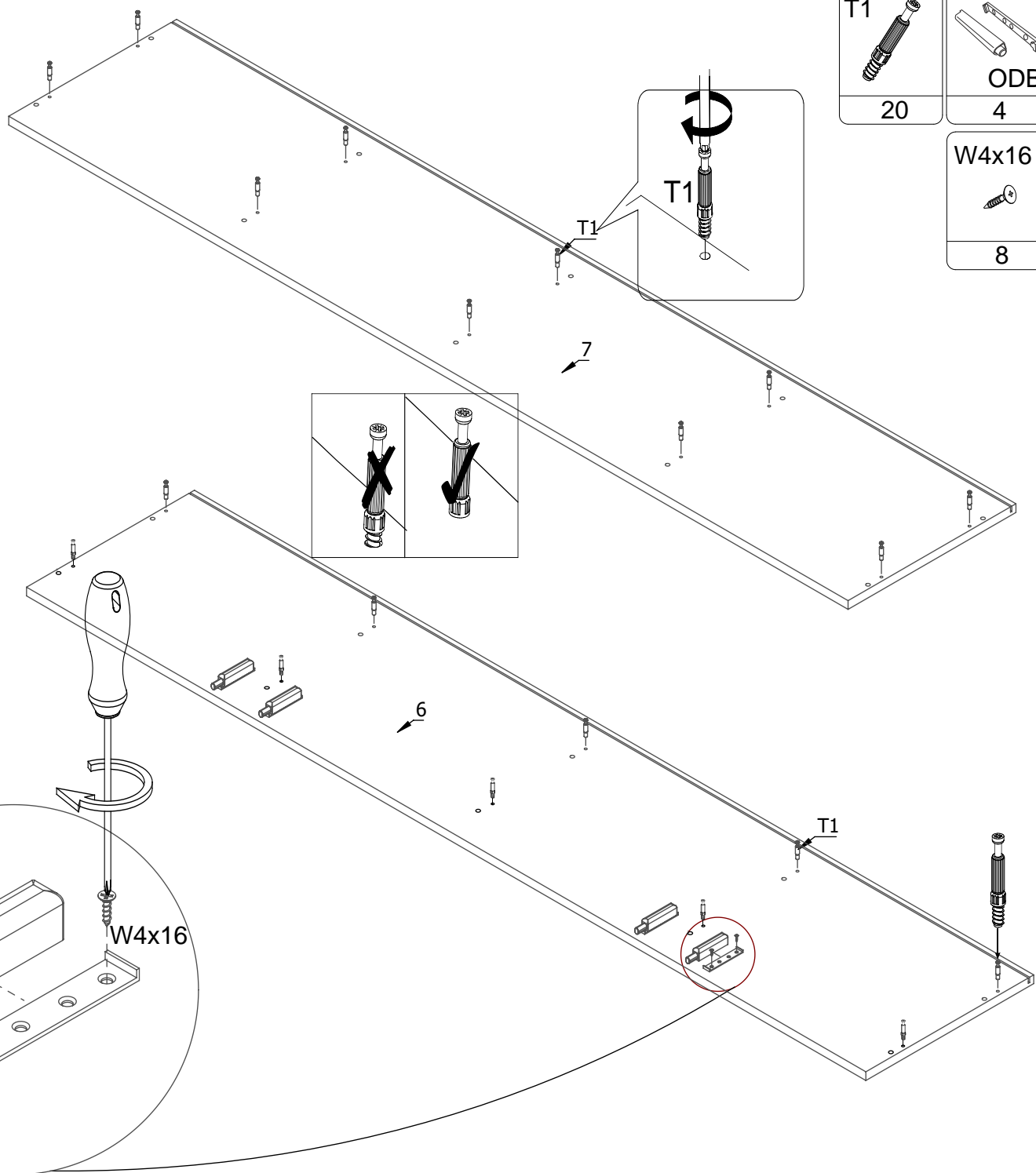
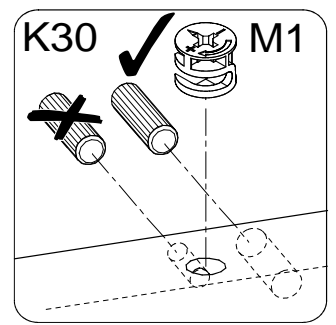
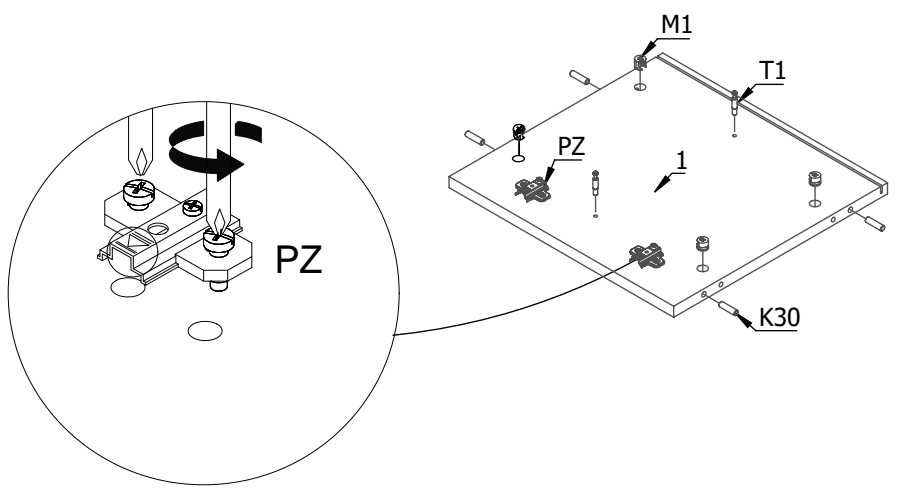





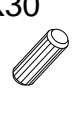

K30  20	T1  28	M1  28	Z15  4	PZ  4	X  28	Z9  4
STB  16	W4x16  44	NB  5	ODB  4	PP  8	PZ9  4	

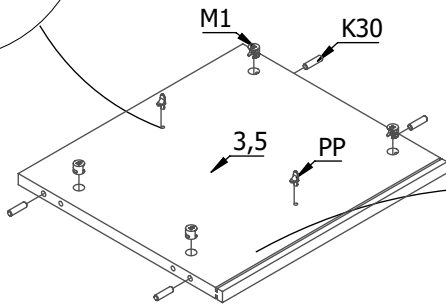
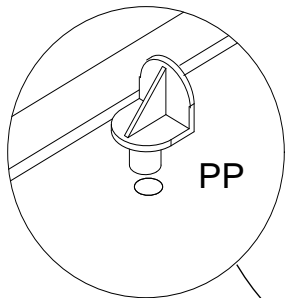
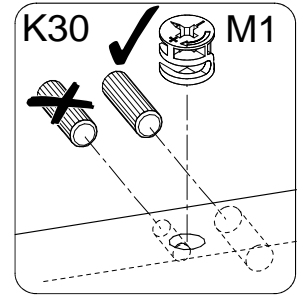
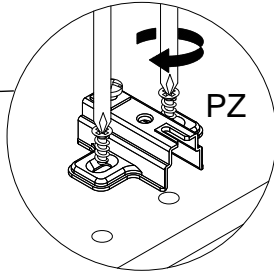
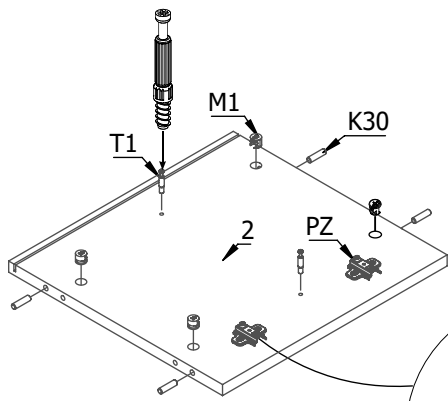


T1		20
ODB		4
W4x16		8

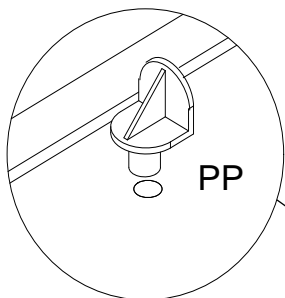
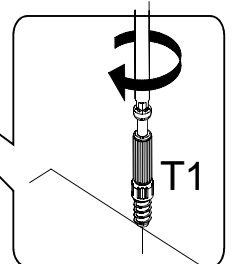
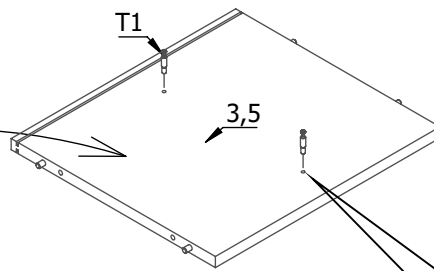
T1		2
PZ		2
M1		4
K30		4


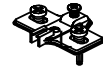

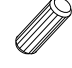


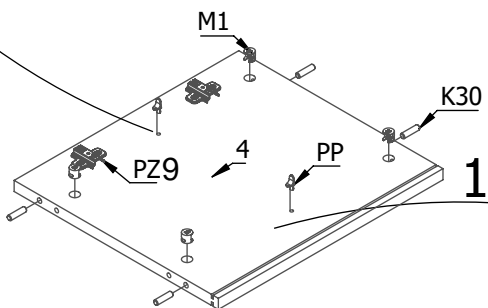
T1  6	PZ  2	M1  12	K30  12
PP  4			



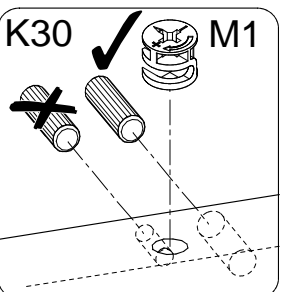
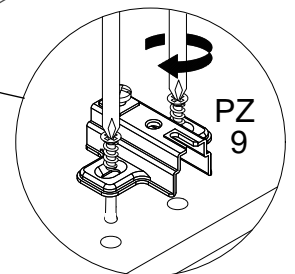
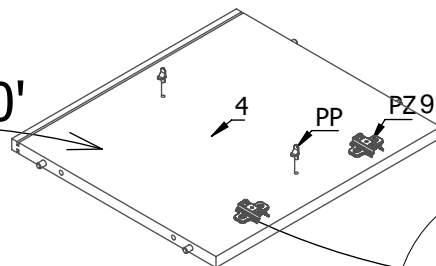
180'
x2


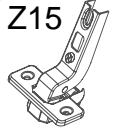
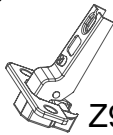


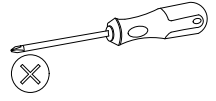
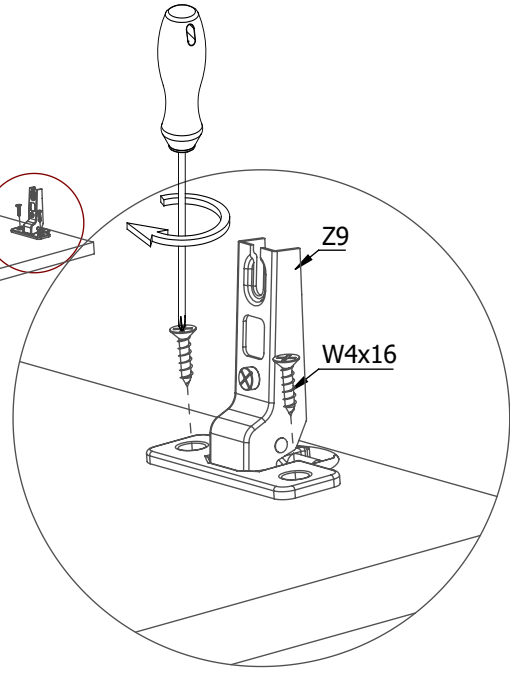
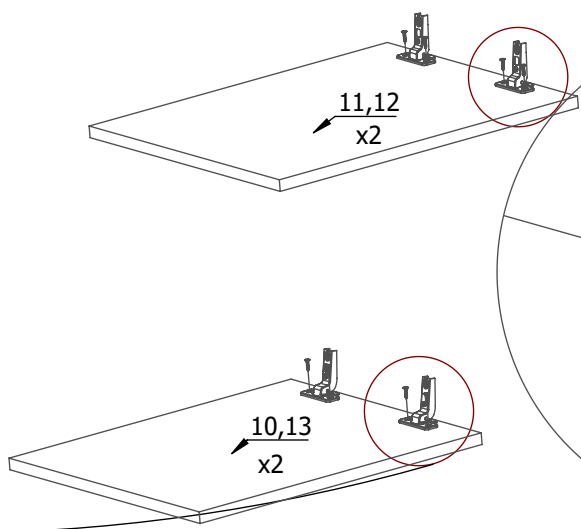
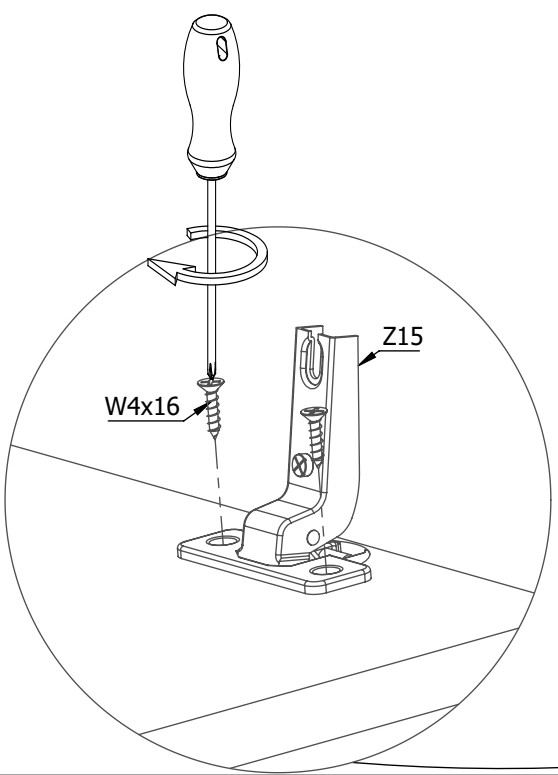
PP  4	PZ9  4	M1  4	K30  4
--	---	--	---




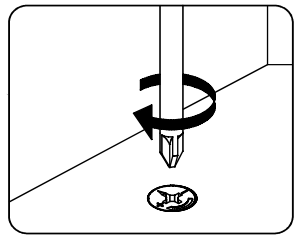
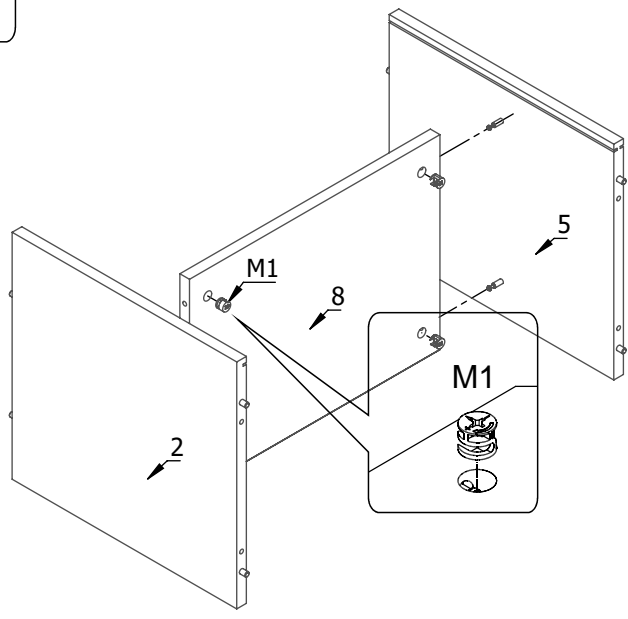
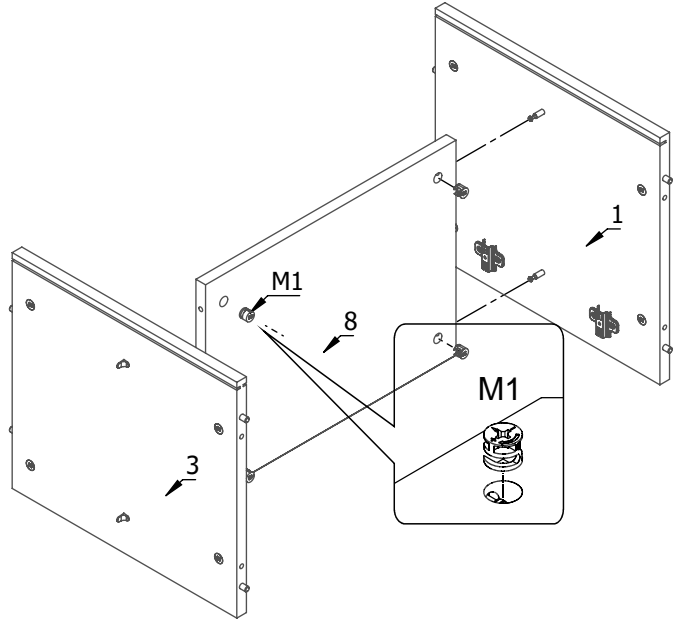
180'

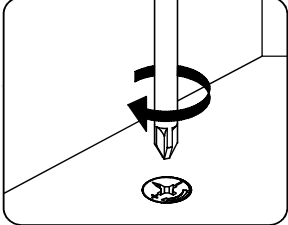
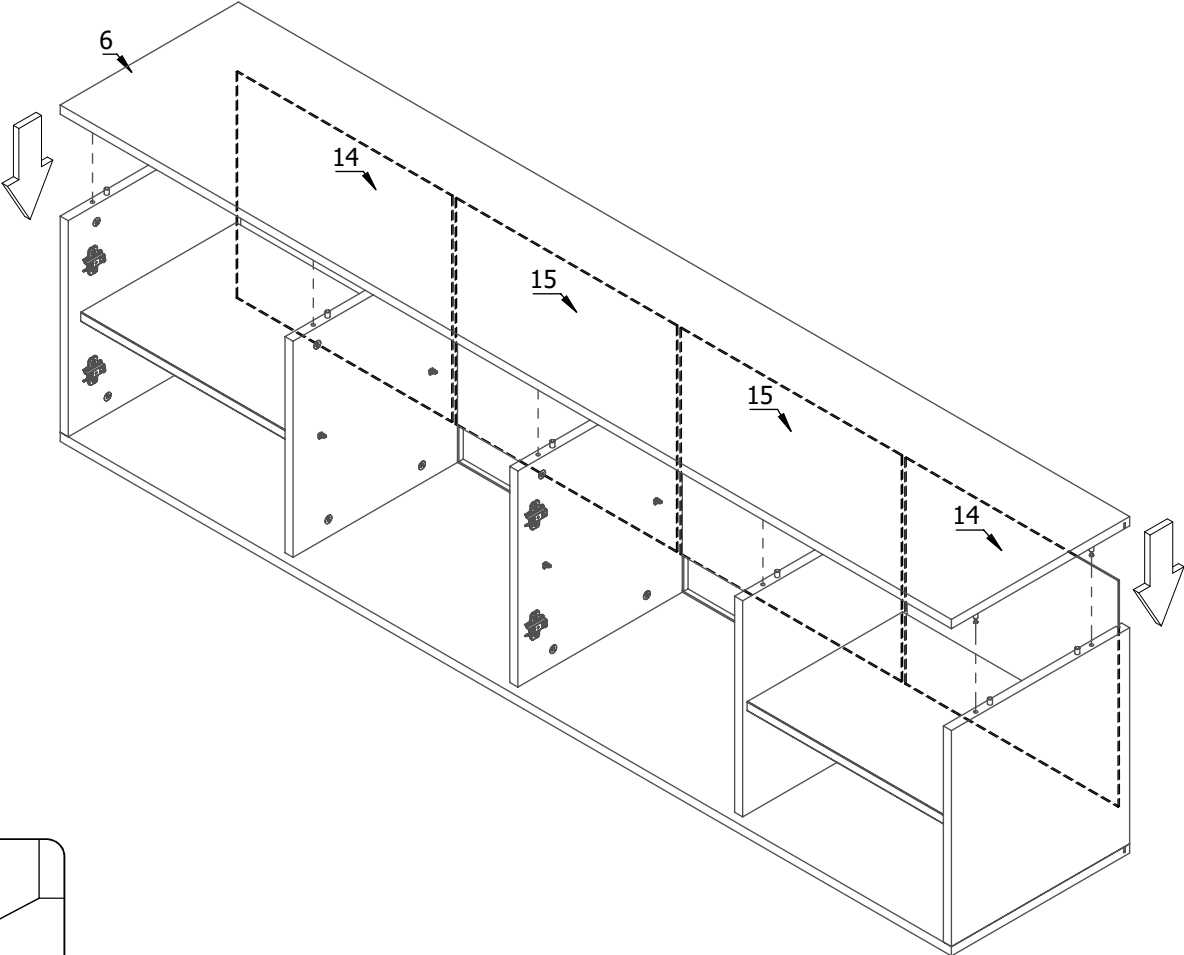
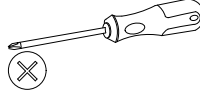
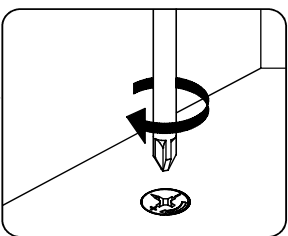
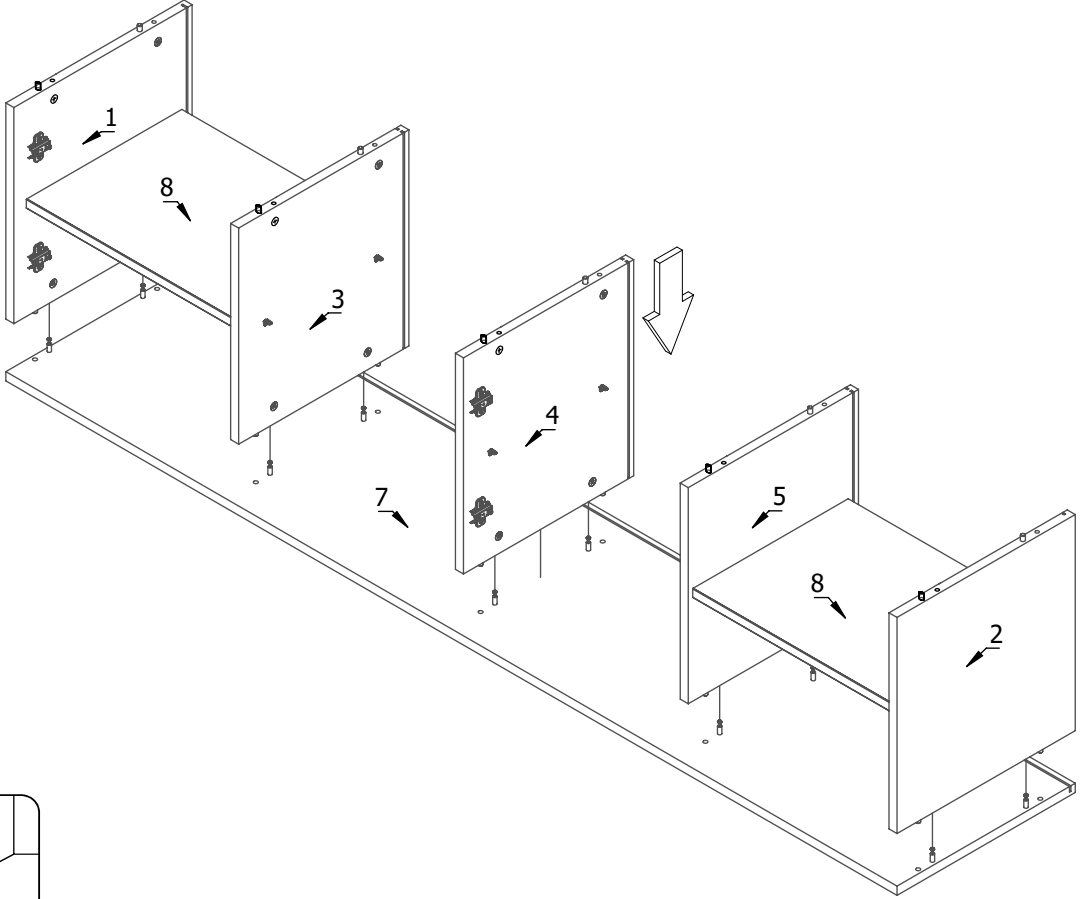
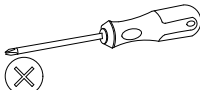





W4x16  16	Z15  4	Z9  4
--	--	---

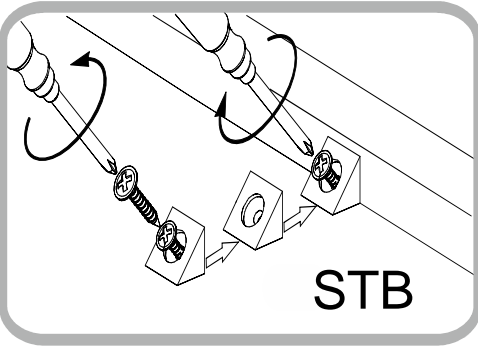


M1  8

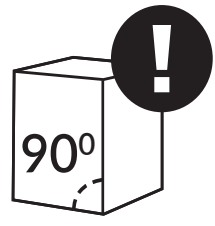
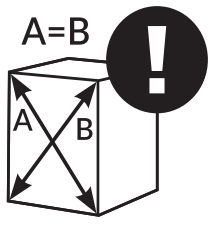
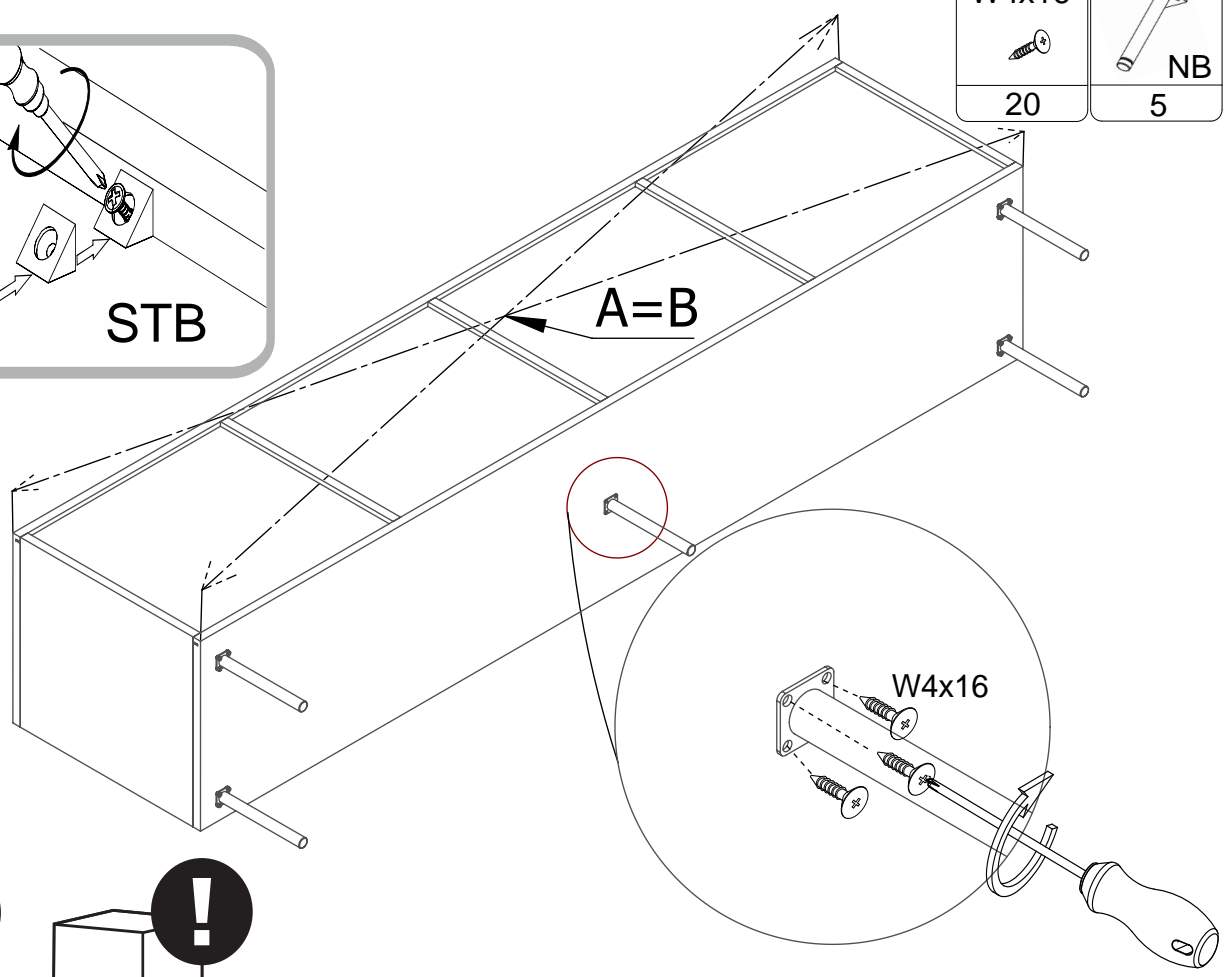





W4x16 	 NB	 STB
20	5	16



STB



X 
28

