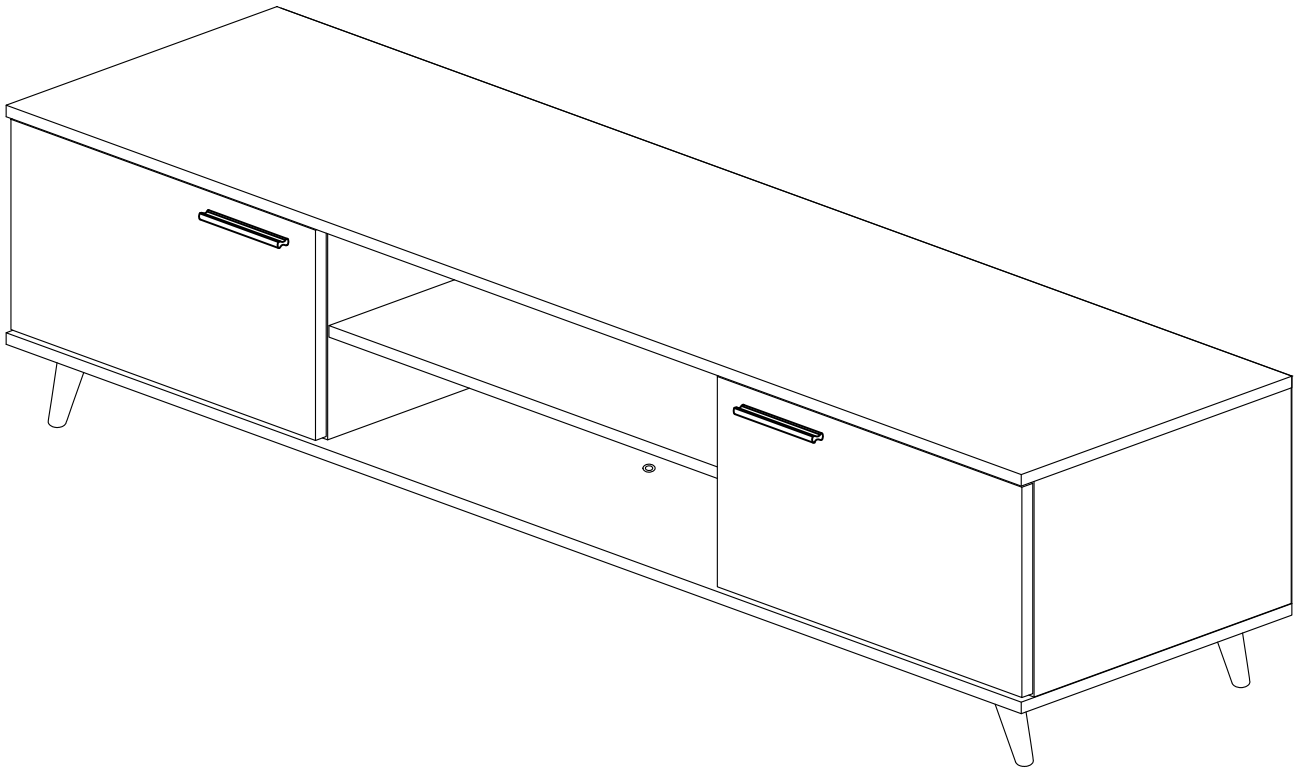


ASSEMBLY INSTRUCTION

TV 57

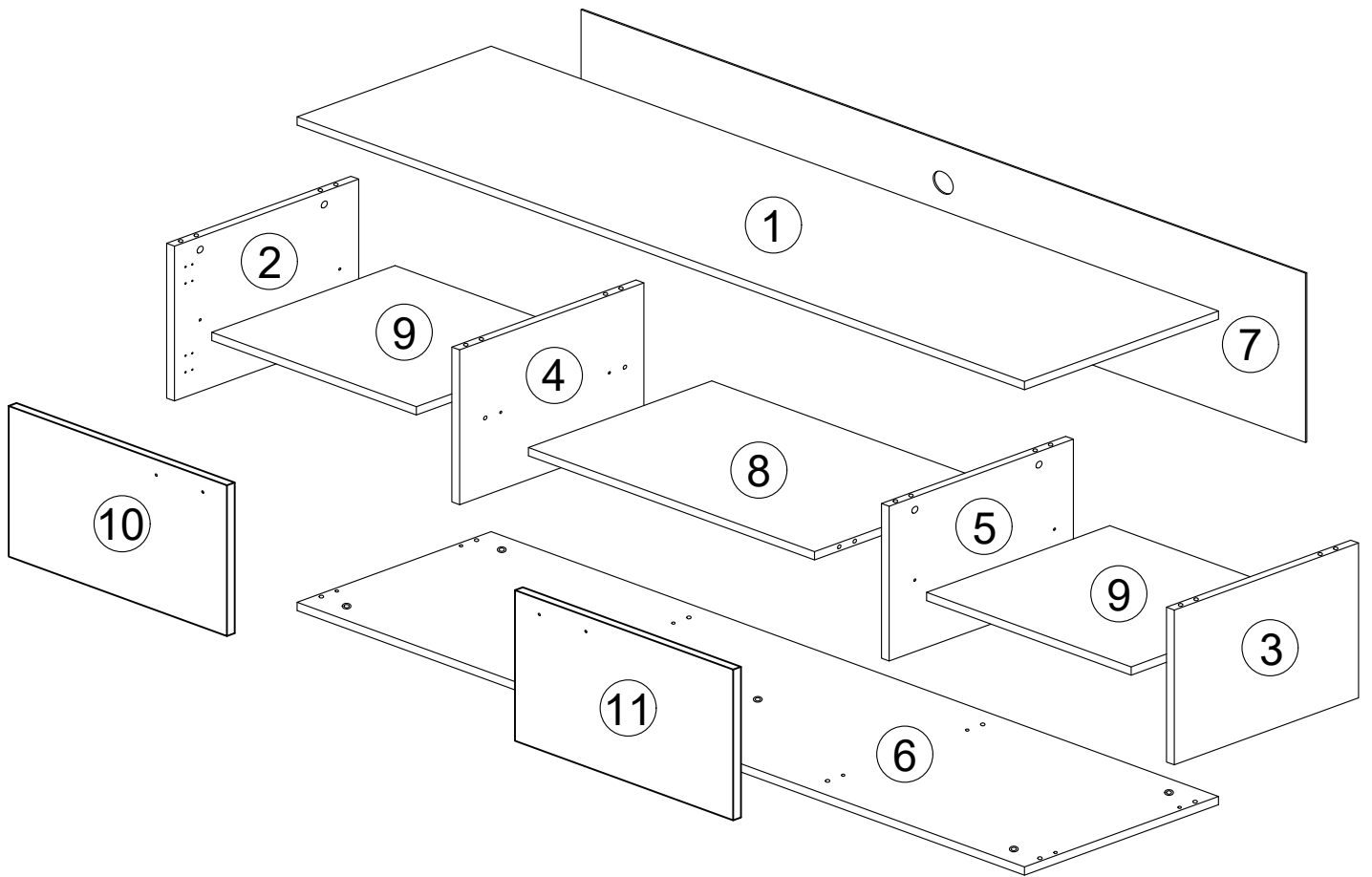
TV Cabinet



ASSEMBLY INSTRUCTION

TV 57

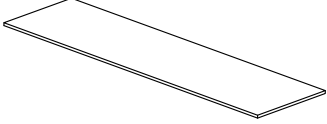
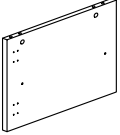
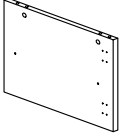
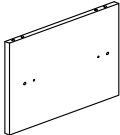
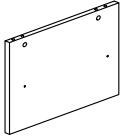
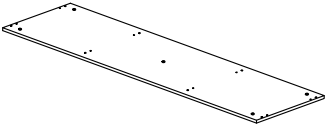
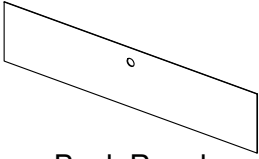
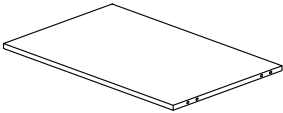
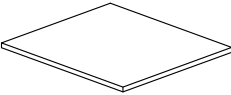
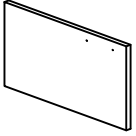
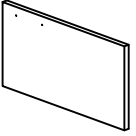
TV Cabinet



ASSEMBLY INSTRUCTION

TV 57 TV Cabinet







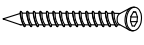




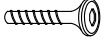




PART LIST

<p>1</p>  <p>Top Panel 1 PC</p>	<p>2</p>  <p>Side Panel L 1 PC</p>	<p>3</p>  <p>Side Panel R 1 PC</p>	<p>4</p>  <p>Center Panel L 1 PC</p>
<p>5</p>  <p>Center Panel R 1 PC</p>	<p>6</p>  <p>Bottom Panel 1 PC</p>	<p>7</p>  <p>Back Panel 1 PC</p>	<p>8</p>  <p>Middle Panel 1 PC</p>
<p>9</p>  <p>Shelf Panel 2 PCS</p>	<p>10</p>  <p>Door Panel L 1 PC</p>	<p>11</p>  <p>Door Panel R 1 PC</p>	

ASSEMBLY INSTRUCTION

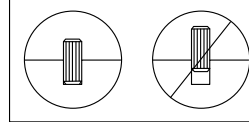
TV 57 TV Cabinet

HARDWARE LIST

<p>A</p>  <p>Camlock 15MM 12 PCS</p>	<p>B</p>  <p>Camlock Bolt 15MM 12 PCS</p>	<p>C</p>  <p>M8x25MM Wood Dowel 20 PCS</p>	<p>D</p>  <p>CB Screw M3.5x16MM 24 PCS</p>
<p>E</p>  <p>Sticker 12 PCS</p>	<p>F</p>  <p>Nail 5/8 20 PCS</p>	<p>G</p>  <p>Csk M6x50MM 8 PCS</p>	<p>H</p>  <p>M5 Allen Key 1 PC</p>
<p>I</p>  <p>M4 Allen Key 1 PC</p>	<p>J</p>  <p>Soft Close Hinges 5/8 4 PCS</p>	<p>K</p>  <p>Shelf Support 8 PCS</p>	<p>L</p>  <p>M8x30MM JCBB Screw 5 PCS</p>
<p>M</p>  <p>Handle Screw M4x20MM 4 PCS</p>	<p>N</p>  <p>PVC Handle 2 PCS</p>	<p>O</p>  <p>Wood Leg (Slope) 4 PCS</p>	<p>P</p>  <p>Wood Leg (Straight) 1 PC</p>

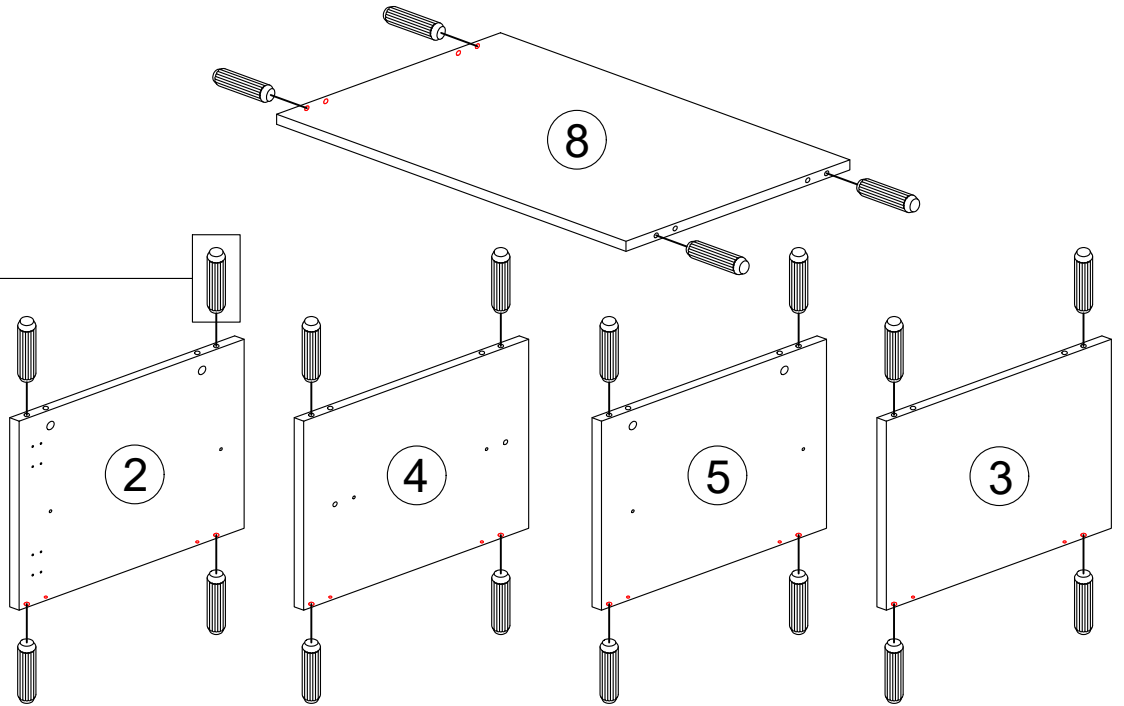
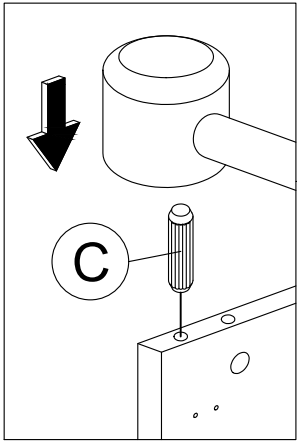
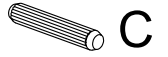
ASSEMBLY INSTRUCTION

Step 1



Required/Requis/Requerido

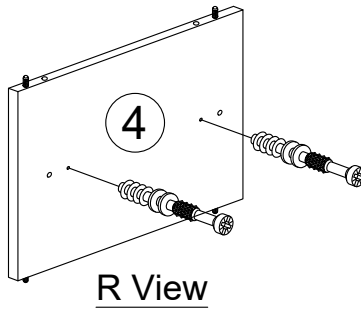
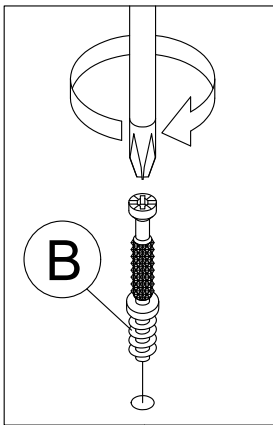
x20



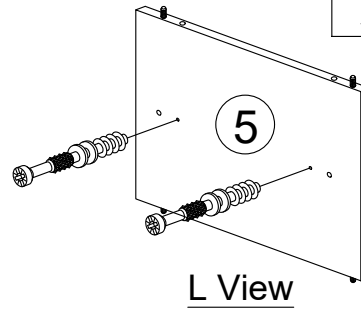
Step 2

Required/Requis/Requerido

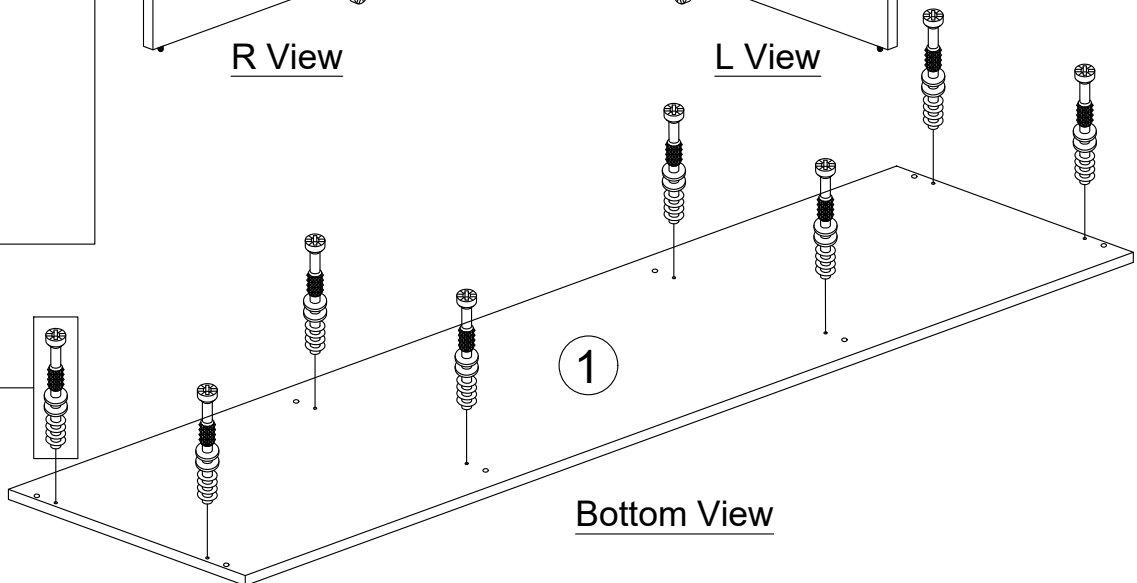
x12



R View



L View



Bottom View

ASSEMBLY INSTRUCTION

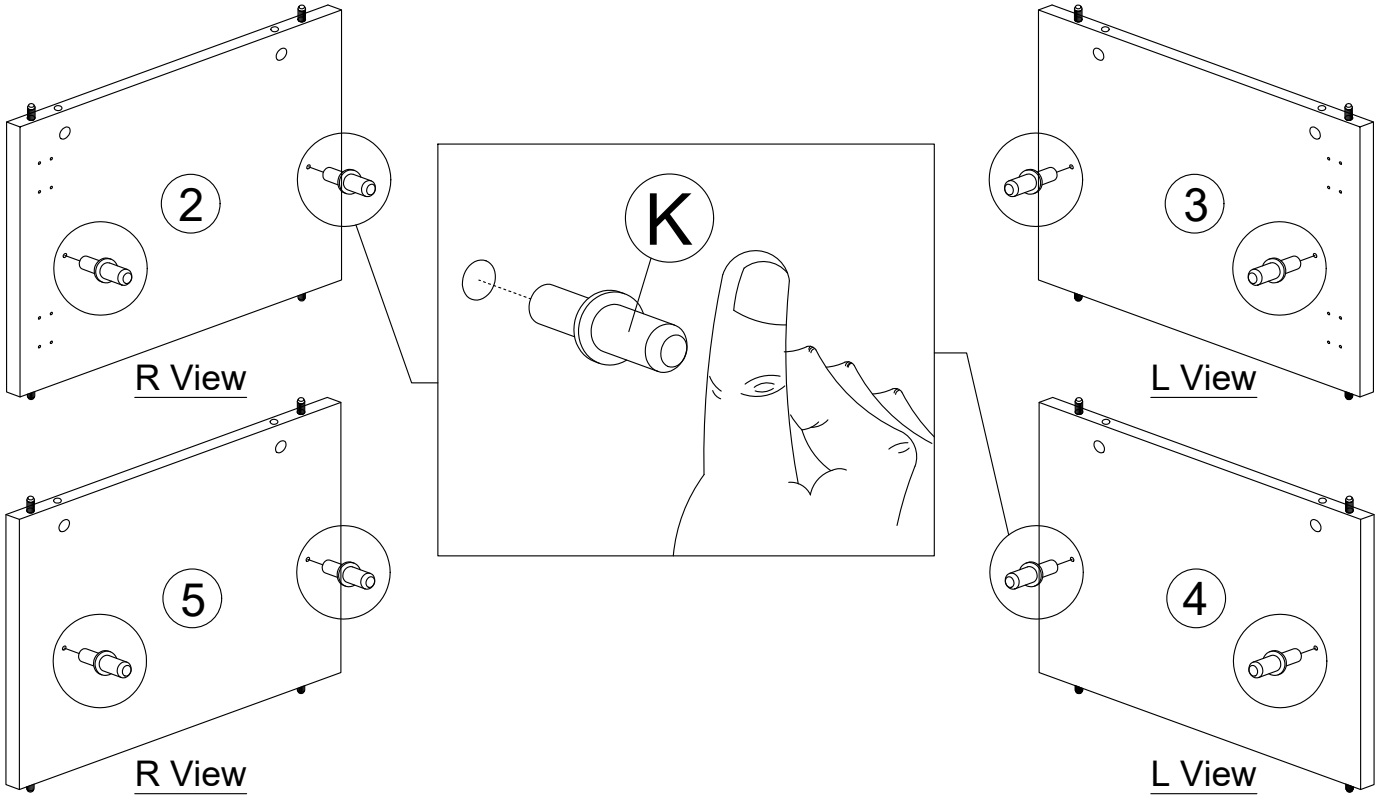
Step 3

Required/Requis/Requerido

x8



K



Step 4

Required/Requis/Requerido

x1



H

x5



L

x4

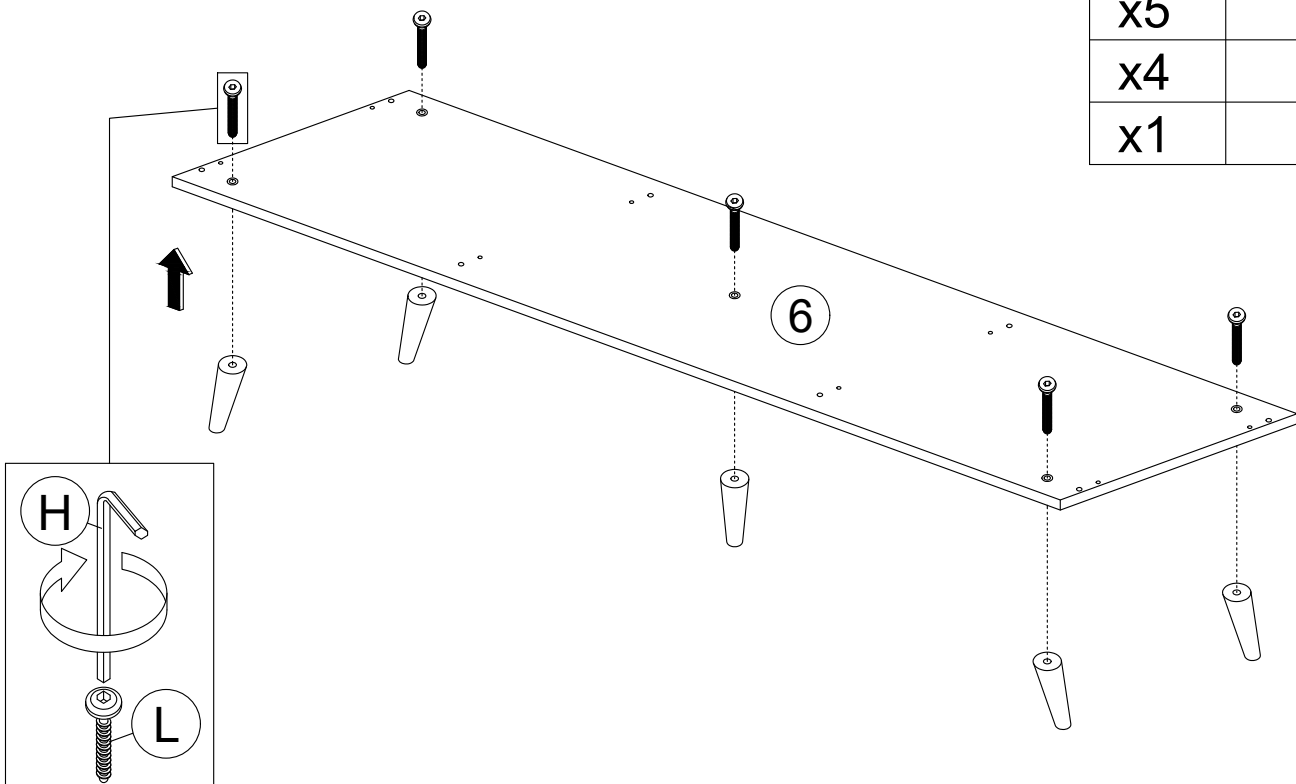


O

x1



P



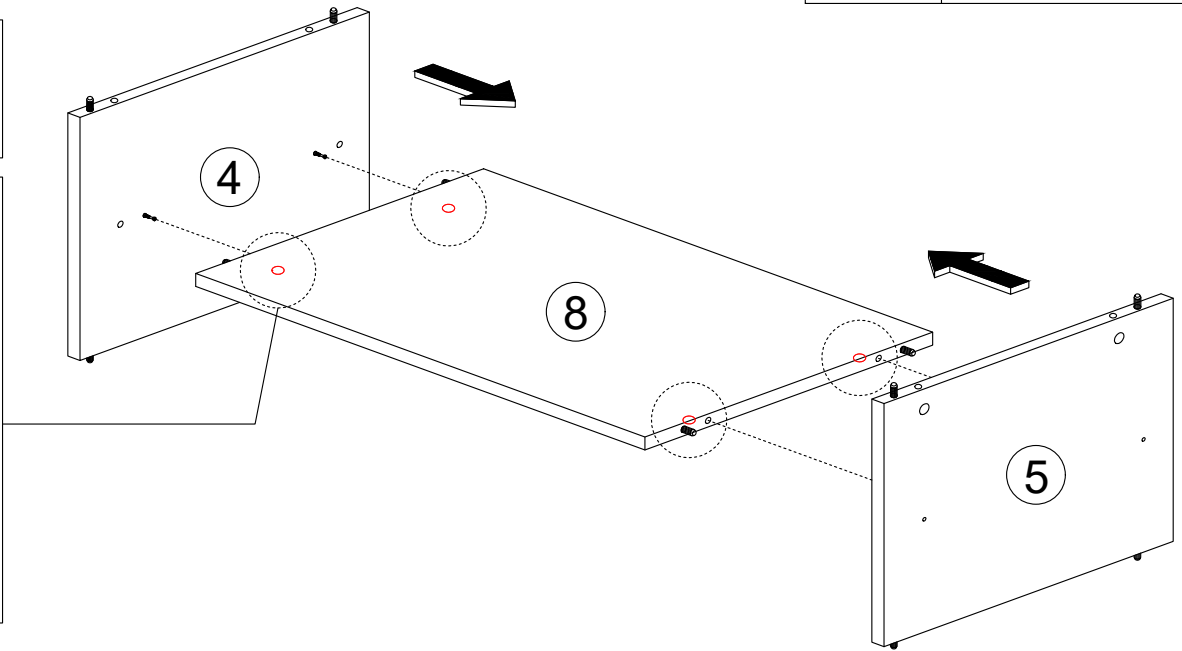
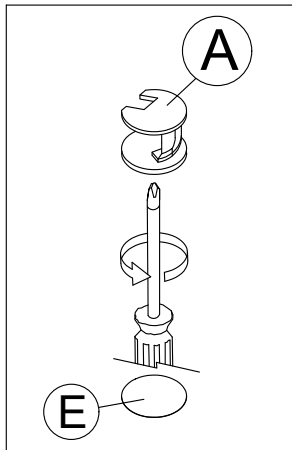
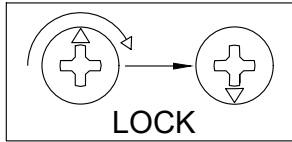
ASSEMBLY INSTRUCTION

Step 5

Required/Requis/Requerido

x4  A


x4  E




Step 6

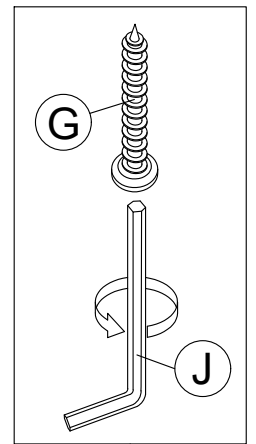
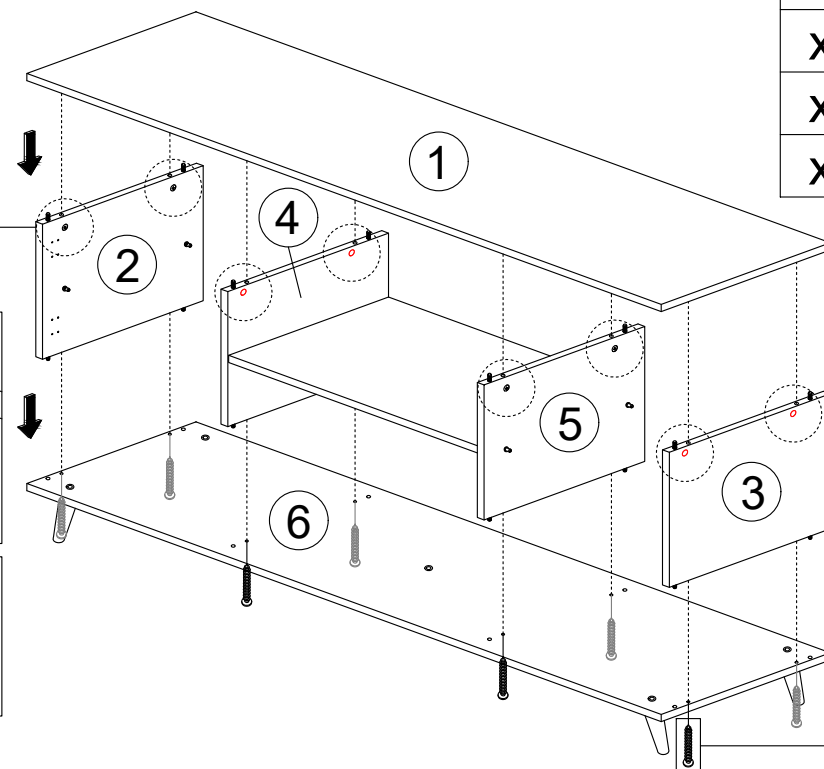
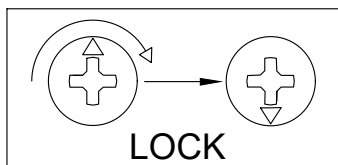
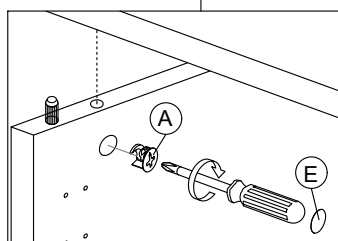
Required/Requis/Requerido

x8  A

x8  E

x8  G

x1  I

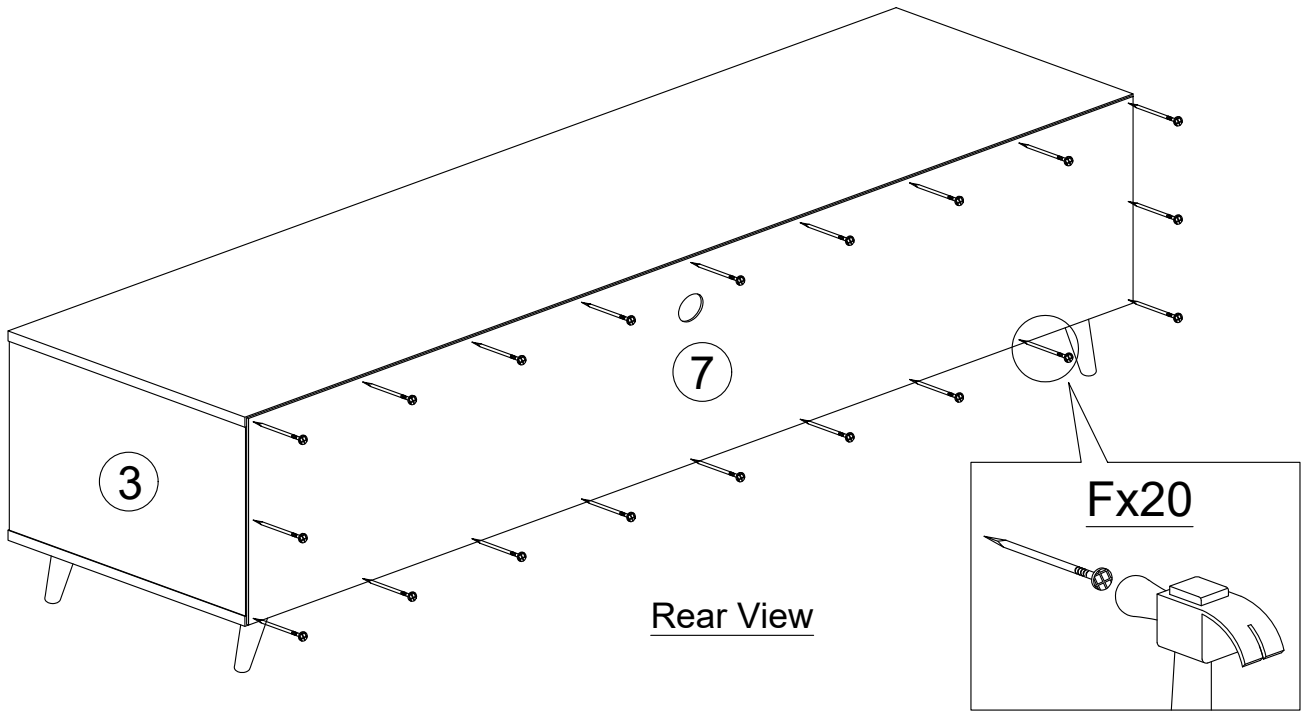
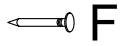


ASSEMBLY INSTRUCTION

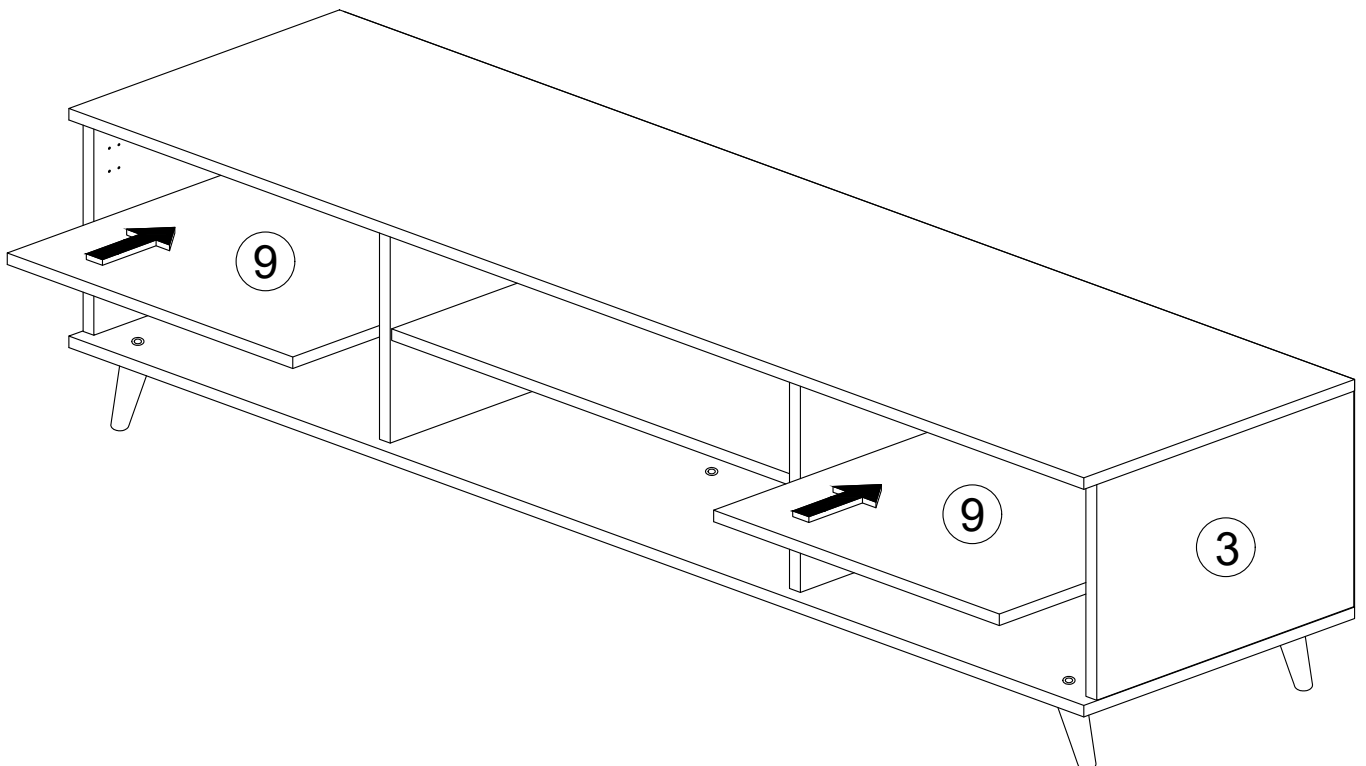
Step 7

Required/Requis/Requerido

x20



Step 8



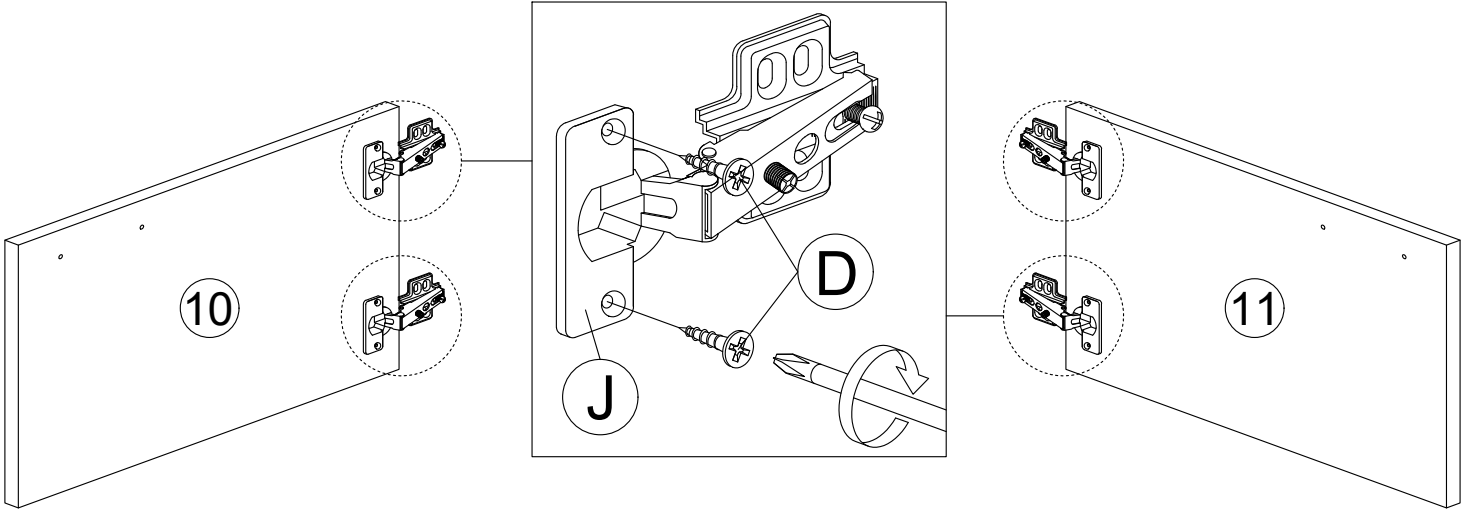
ASSEMBLY INSTRUCTION

Step 9

Required/Requis/Requerido

x8  D

x4  J

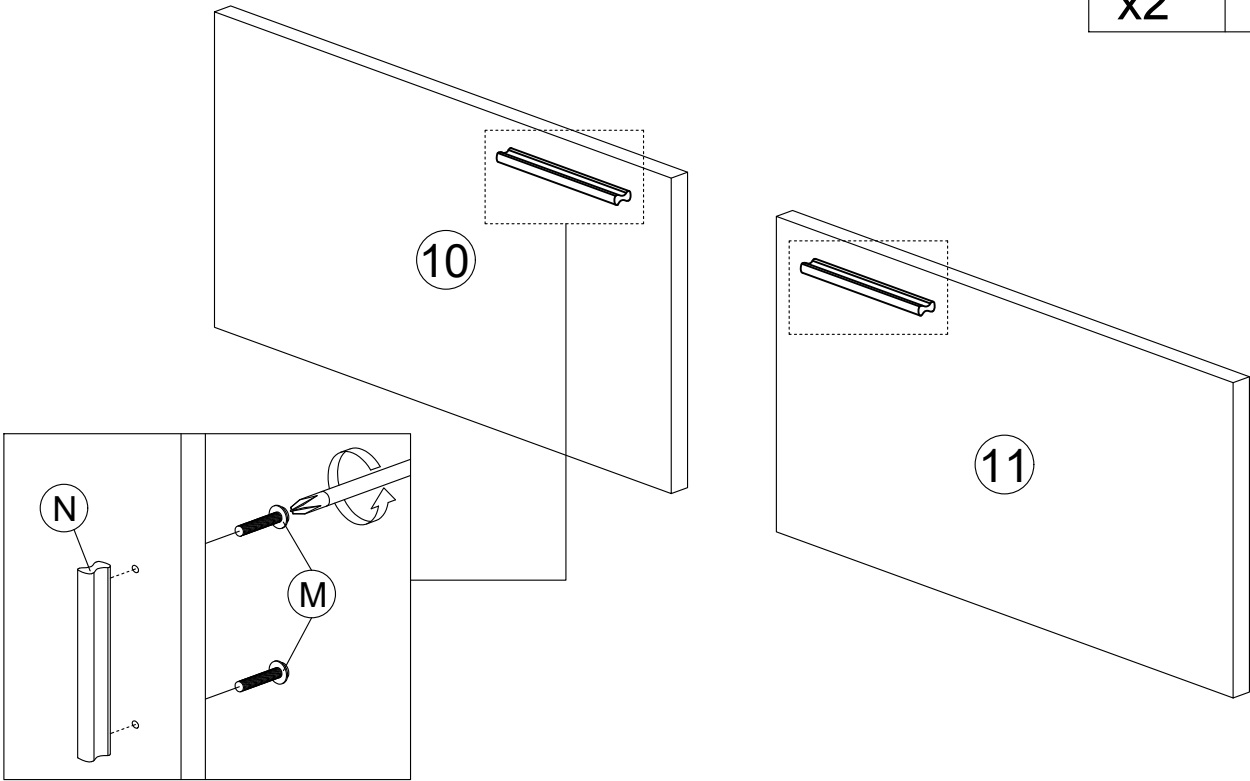


Step 10

Required/Requis/Requerido

x4  M

x2  N

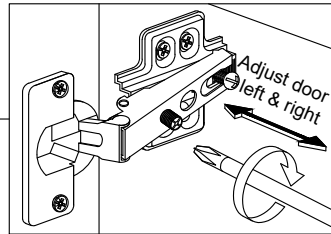
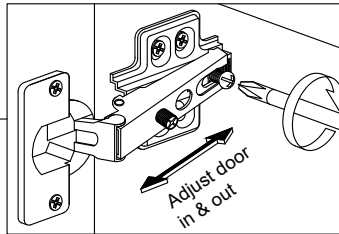
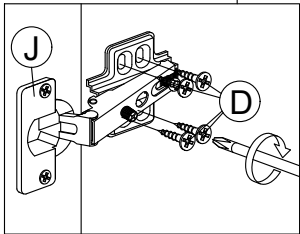
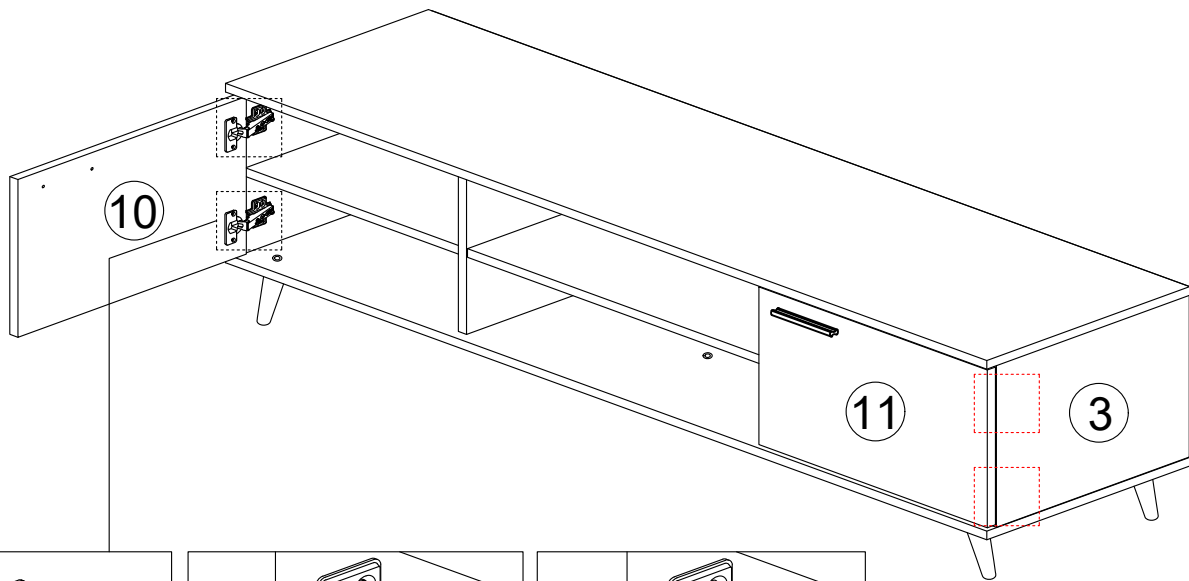


ASSEMBLY INSTRUCTION

Step 11

Required/Requis/Requerido

x16



Completed

