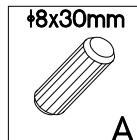
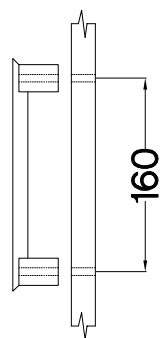
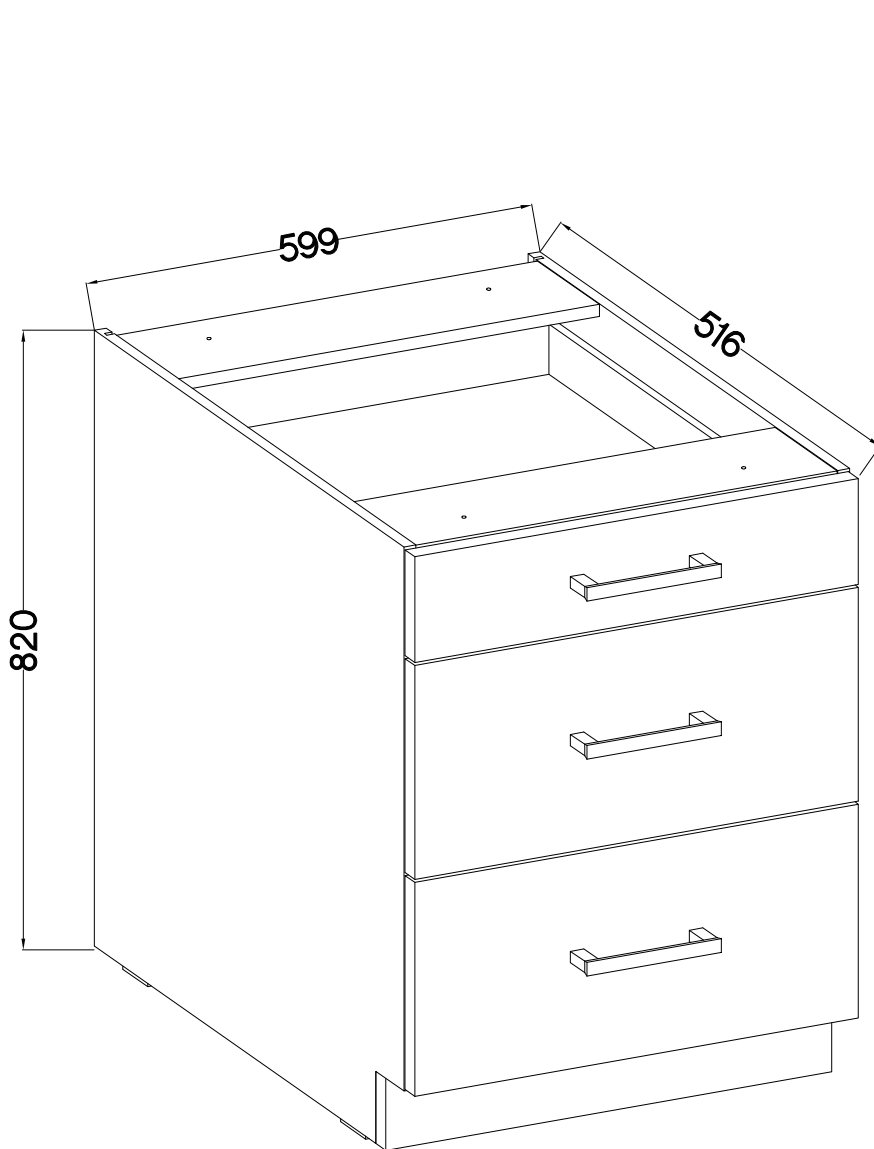
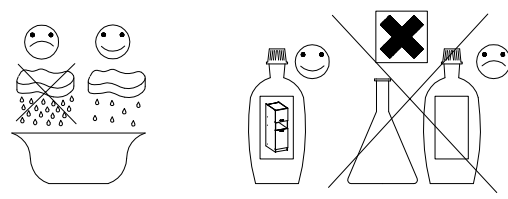


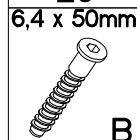
60 min

60 D 3S -
QUADRO



A

20



B

8



B2

10



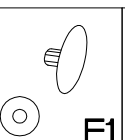
C5

6



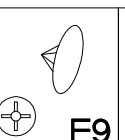
D2

6



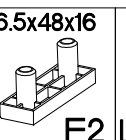
E1

8



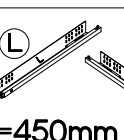
E9

2



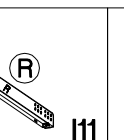
F2

4



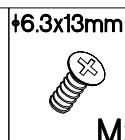
I1

3



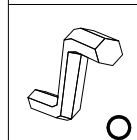
L

6



M2

24



O

1



O1

1



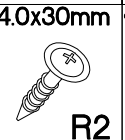
P4

2



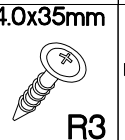
P7

8-10



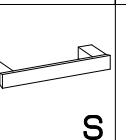
R2

6



R3

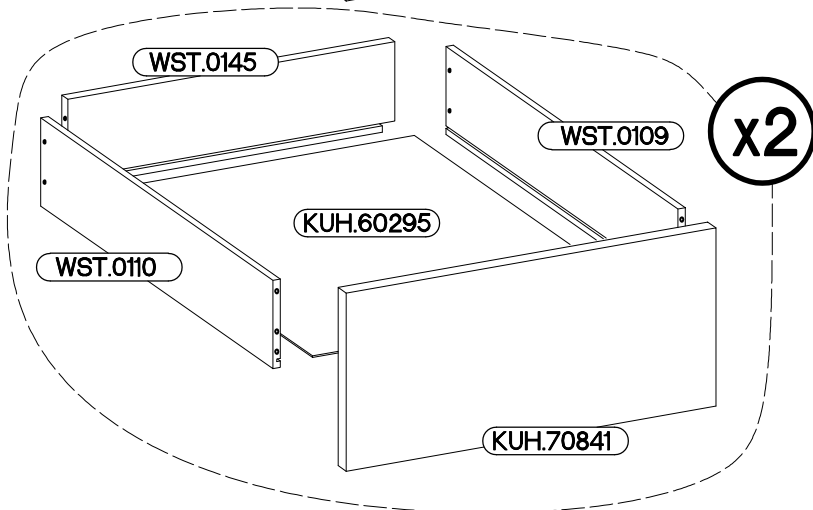
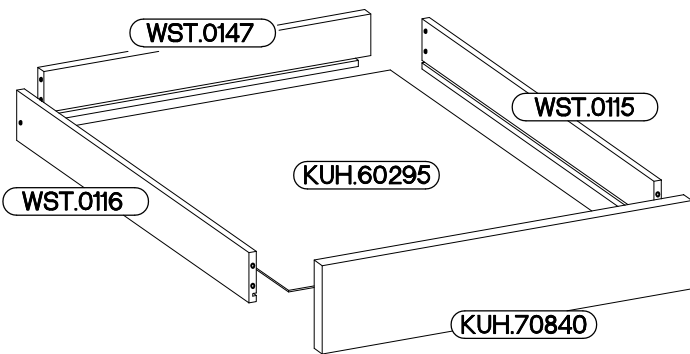
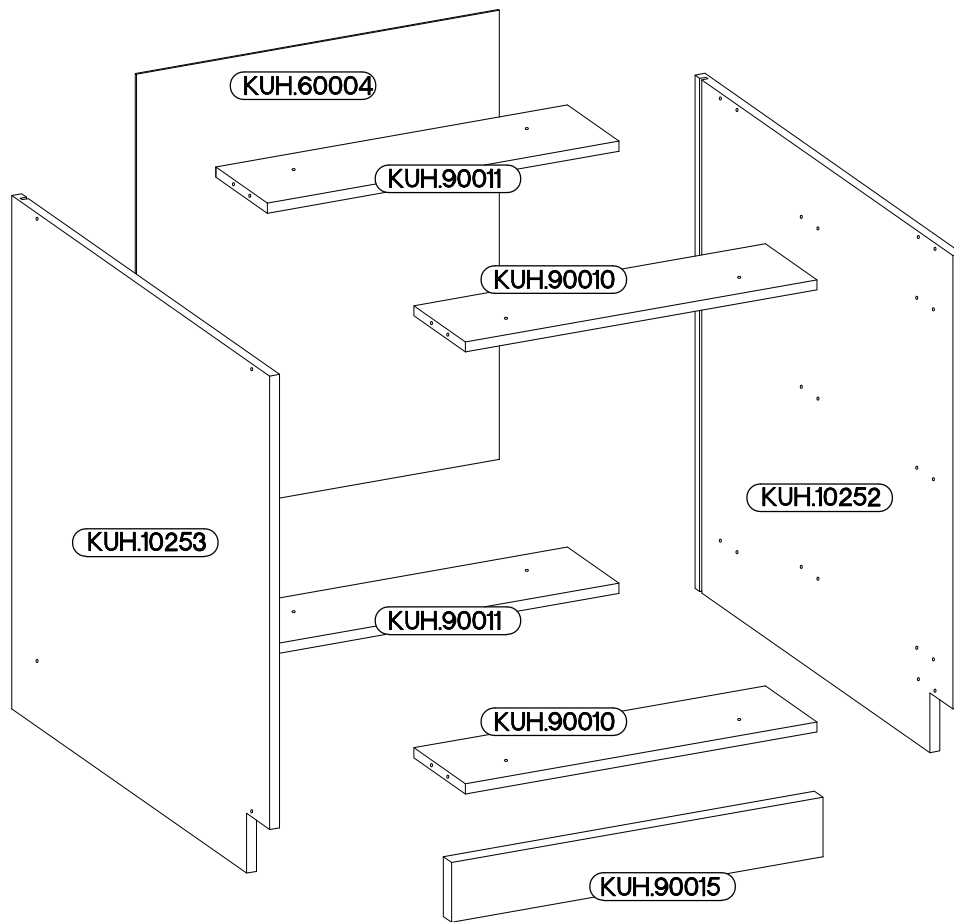
4



S

3


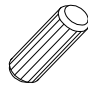

ISM-KUH-01290

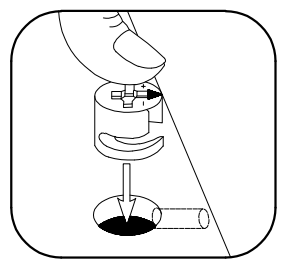
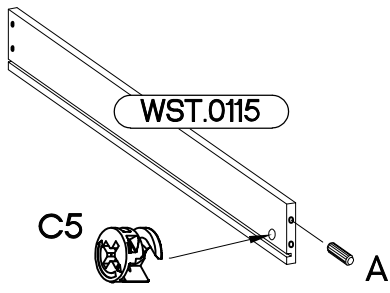
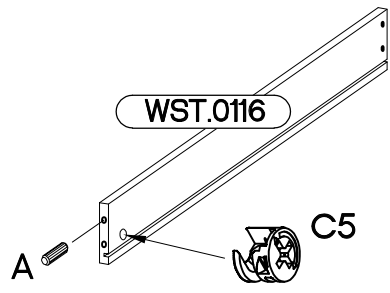
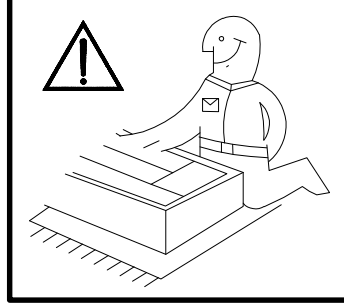
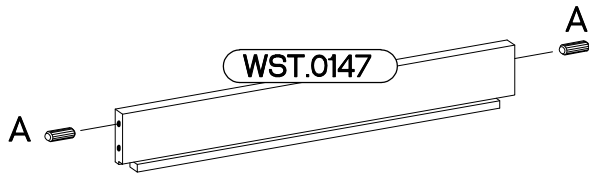


Ersatzteil Nummer	Dimension
KUH.10252	815x500x16
KUH.10253	815x500x16
KUH.60004	713x585x2,5
KUH.60295 x3	537x448x2,5
KUH.70840	596x140x16
KUH.70841 x2	596x283x16
KUH.90010 x2	567x100x16
KUH.90011 x2	567x100x16
KUH.90015	599x95x16
WST.0109 x2	450x140x12
WST.0110 x2	450x140x12
WST.0115	450x80x12
WST.0116	450x80x12
WST.0145 x2	527x140x12
WST.0147	527x80x12





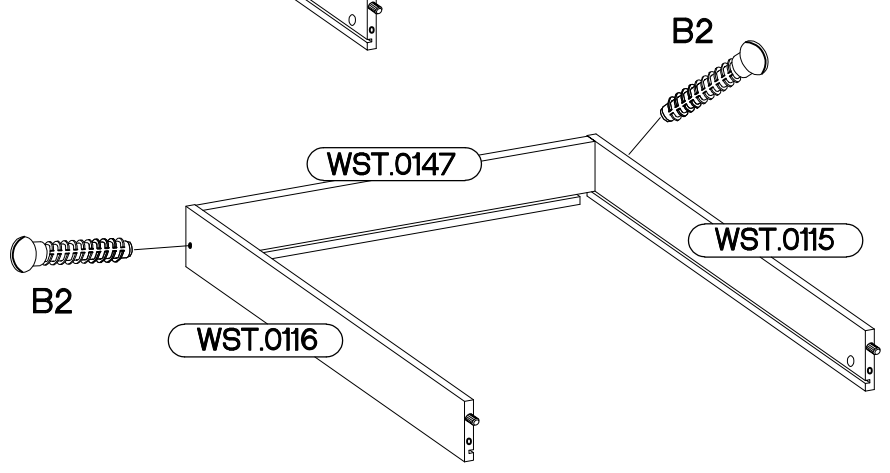
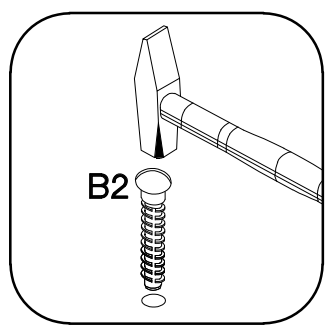
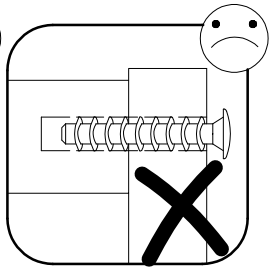
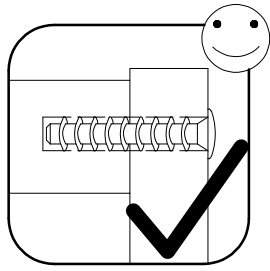
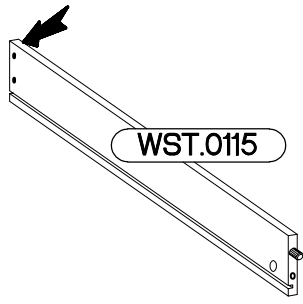
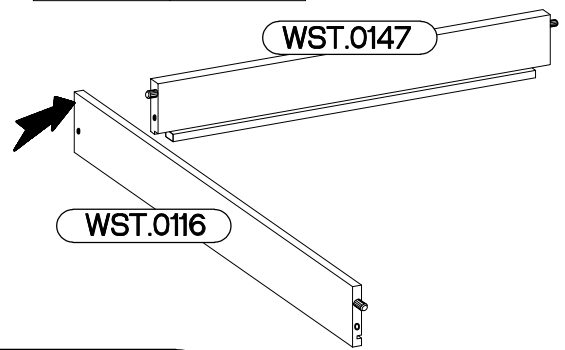
1

<p>†12/10mm</p>  <p>C5</p> <p>2</p>	<p>†8x30mm</p>  <p>A</p> <p>4</p>	 <p>O1</p> <p>1</p>
---	---	---




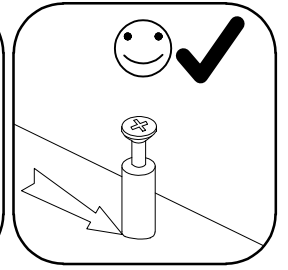
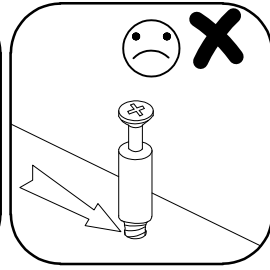
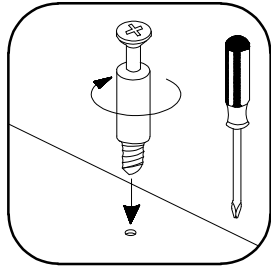
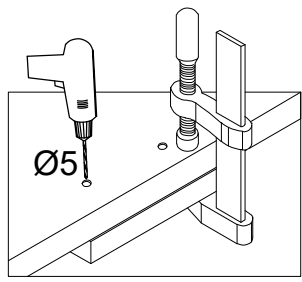
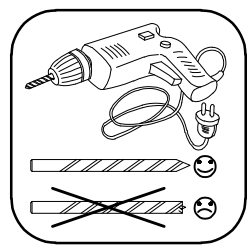
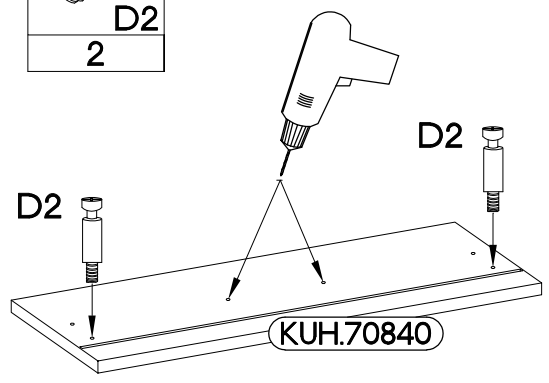
2

<p>†6x42mm</p>  <p>B2</p> <p>2</p>	 <p>O1</p> <p>1</p>
---	--

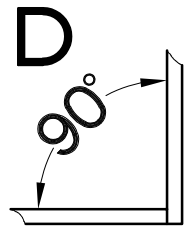
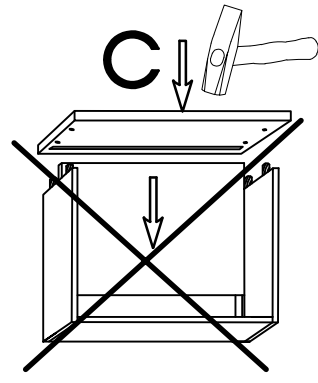
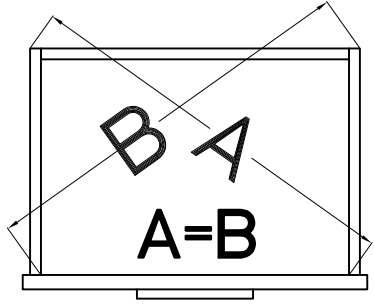
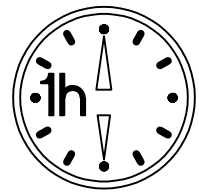
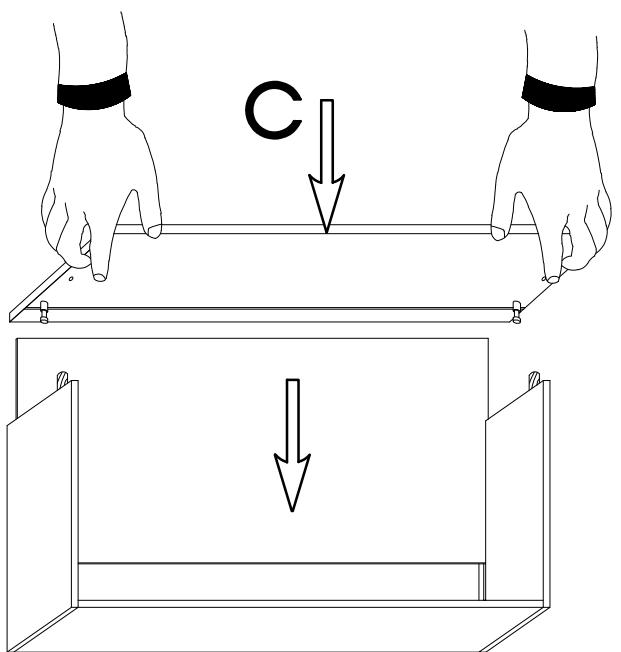
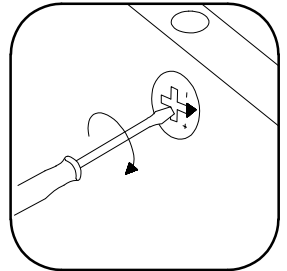
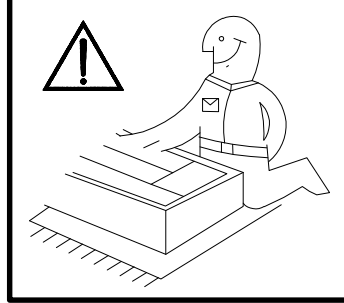
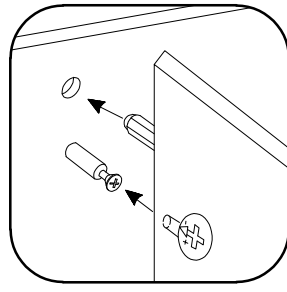
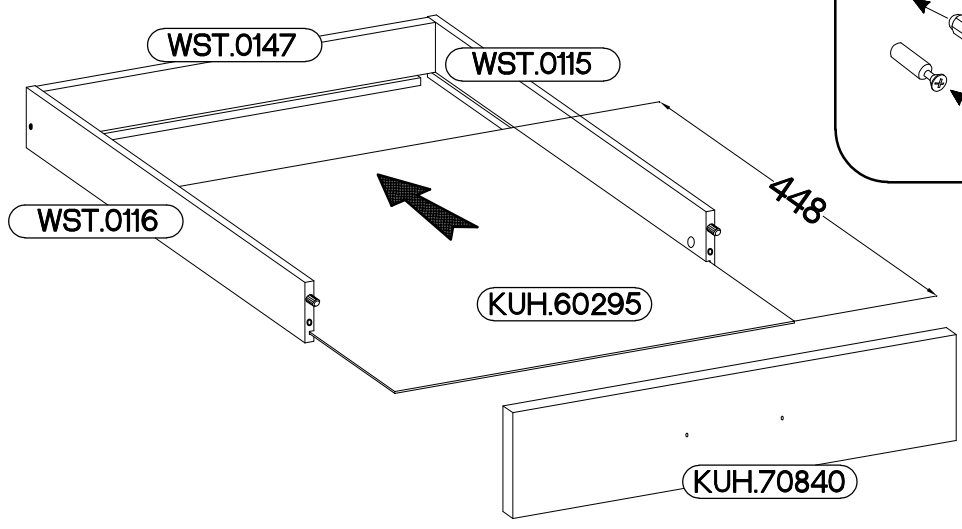


3

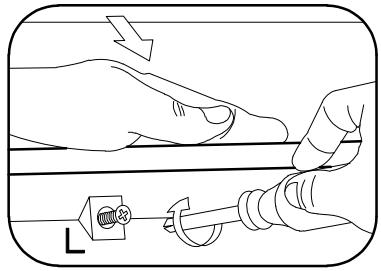
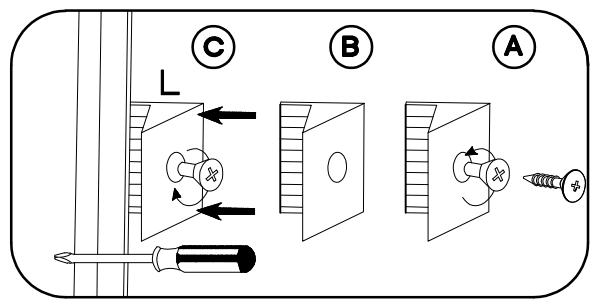
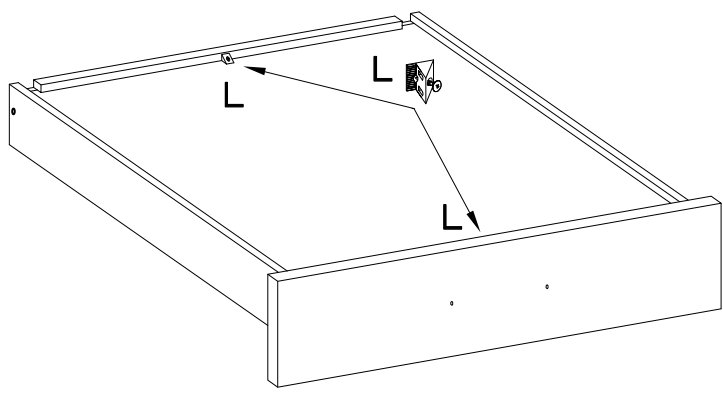
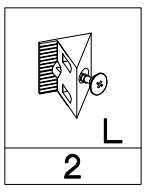
<p>L=20mm</p>  <p>D2</p> <p>2</p>
--






4



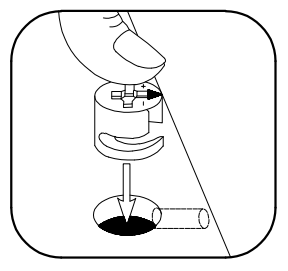
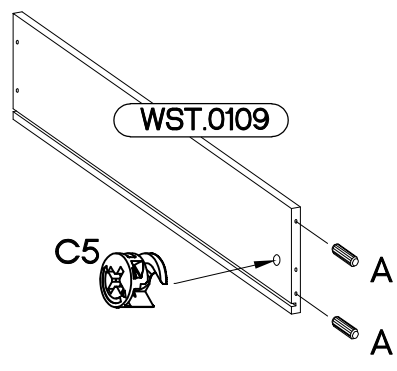
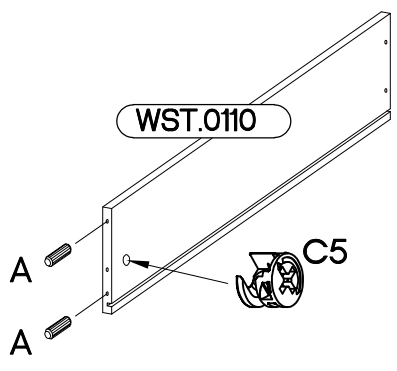
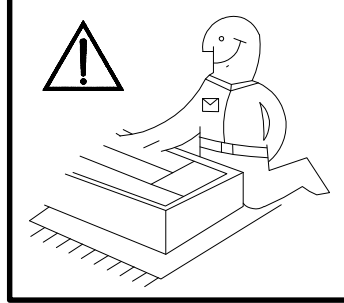
5




6

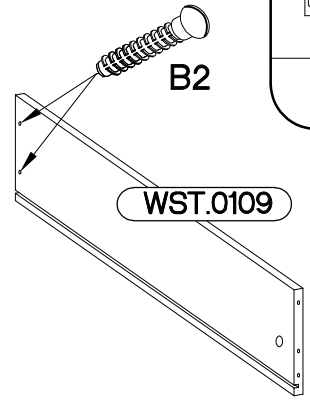
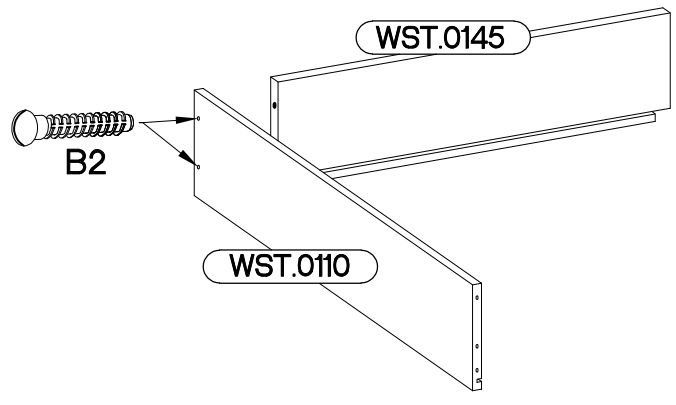
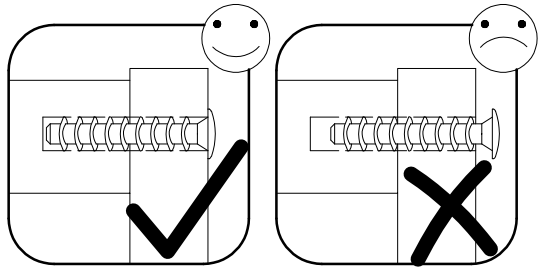
#12/10mm  C5 4	#8x30mm  A 8	 O1 1
---	---	---

x2

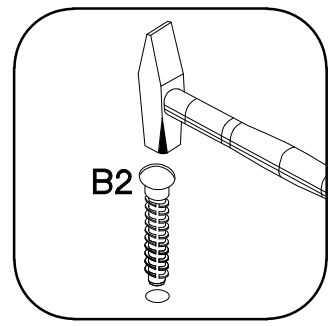


7


#6x42mm  B2 8



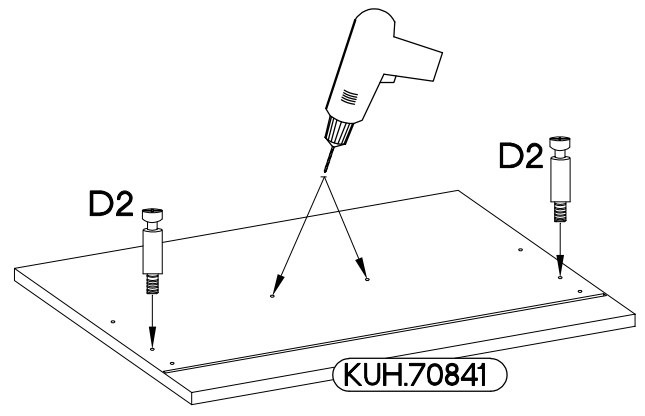
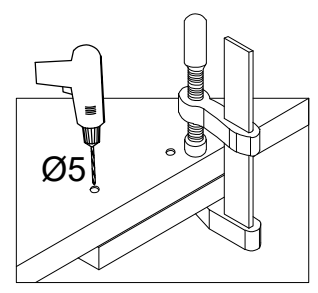
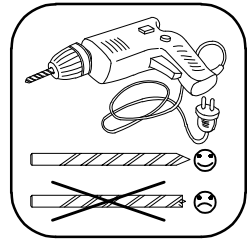
x2



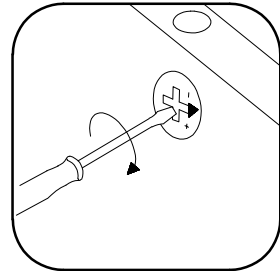
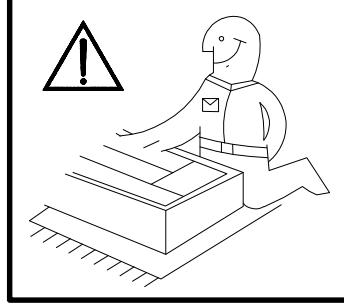
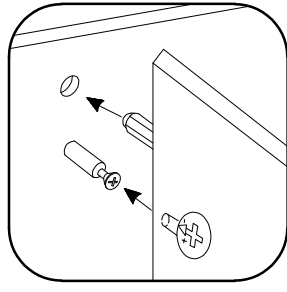
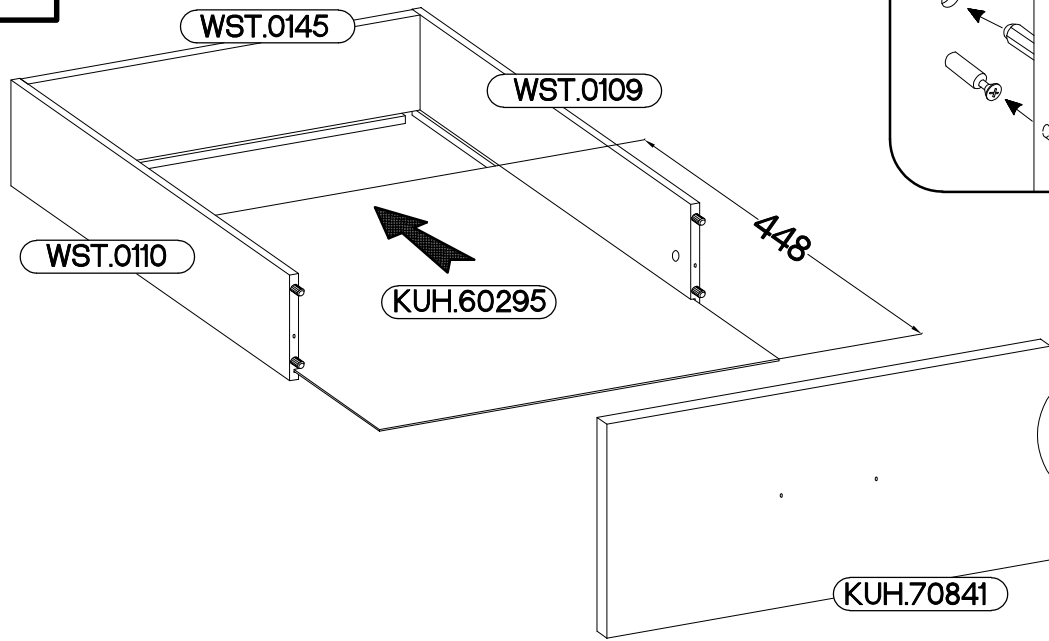
8

L=20mm  D2 4
--

x2

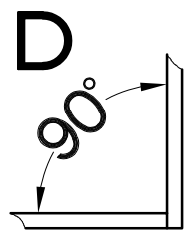
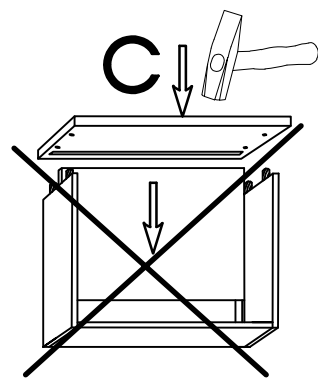
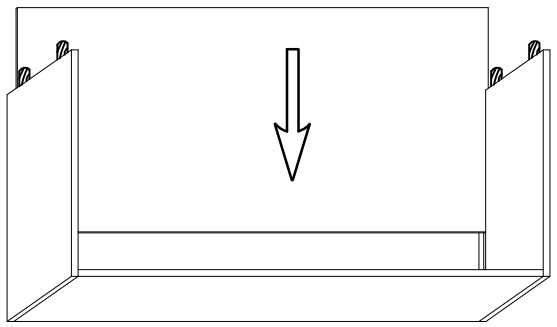
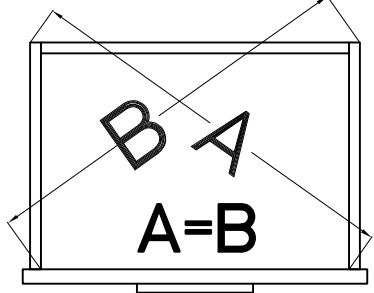
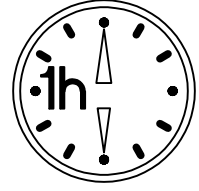
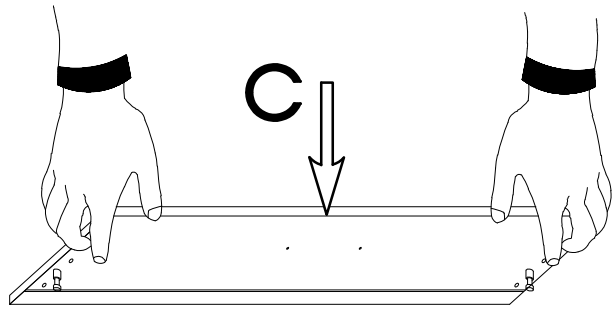


9

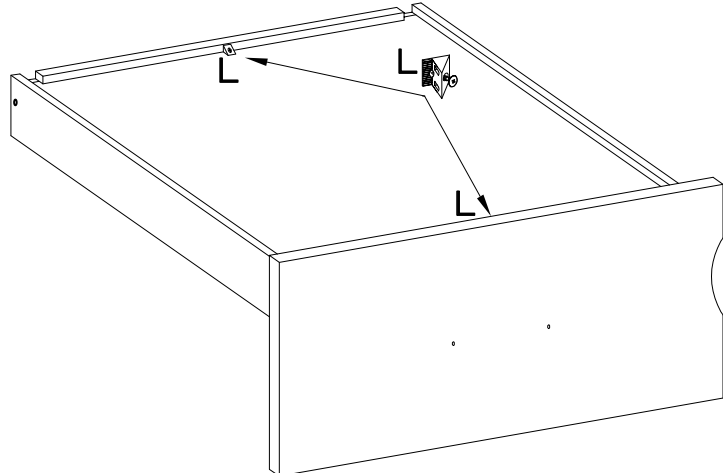
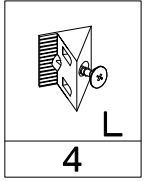


x2

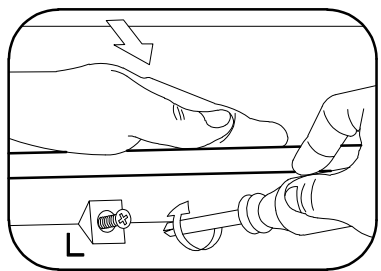
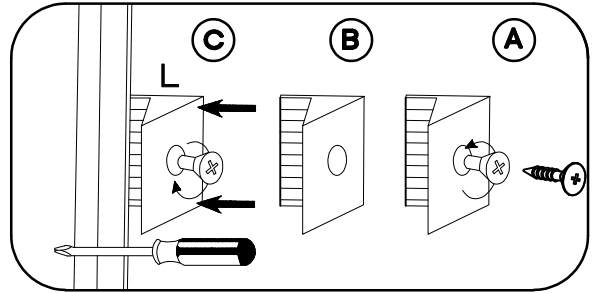
KUH.70841



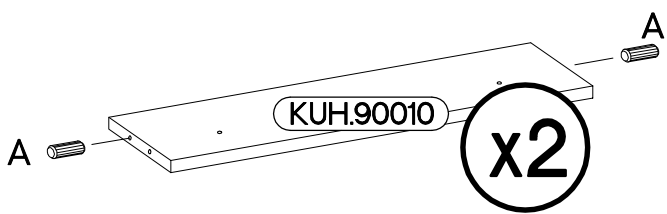
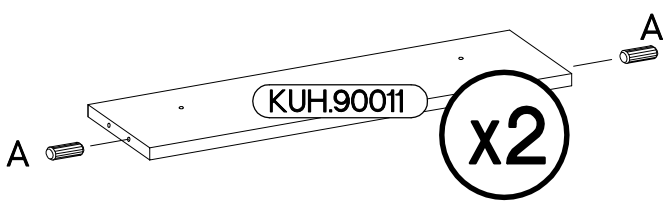
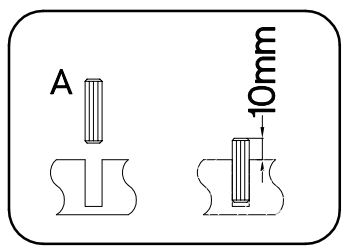
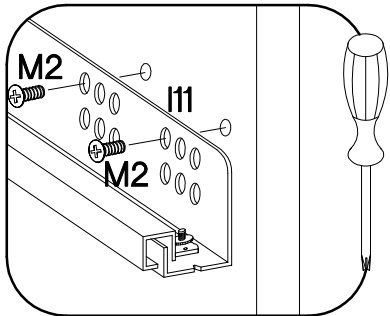
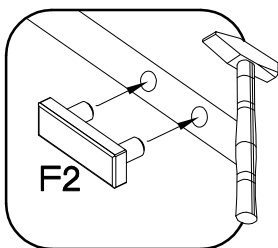
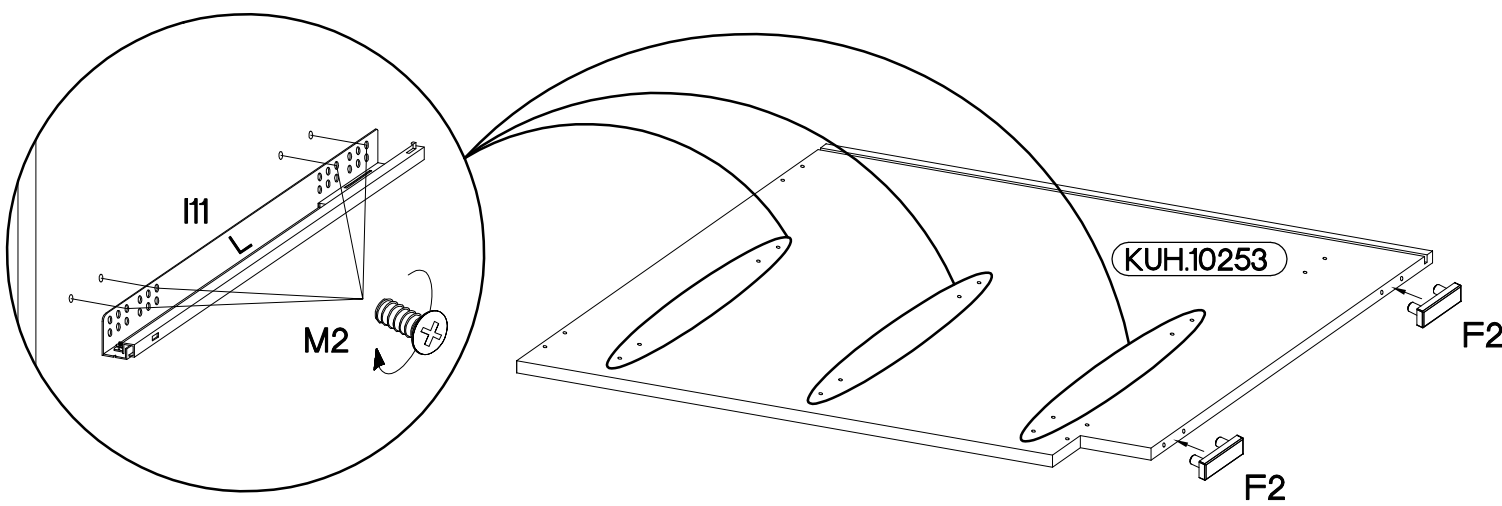
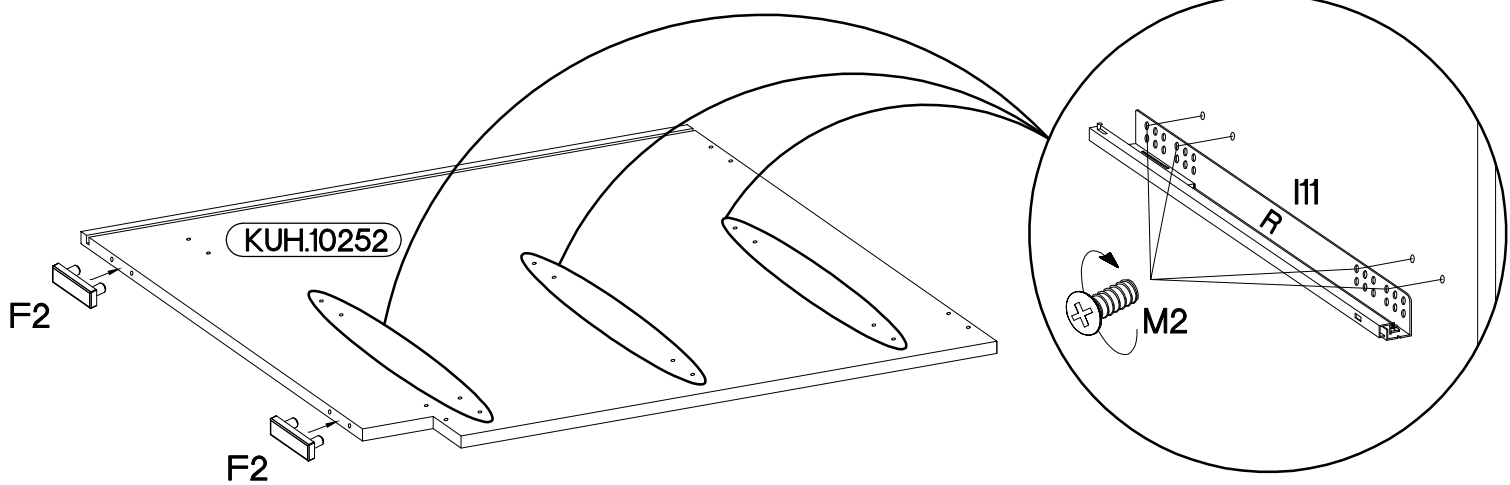
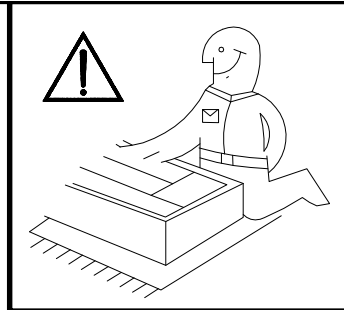
10



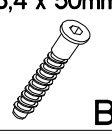
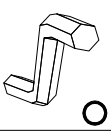
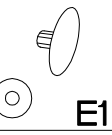
x2

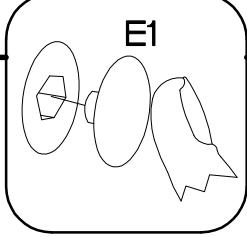
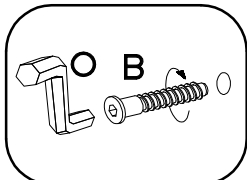
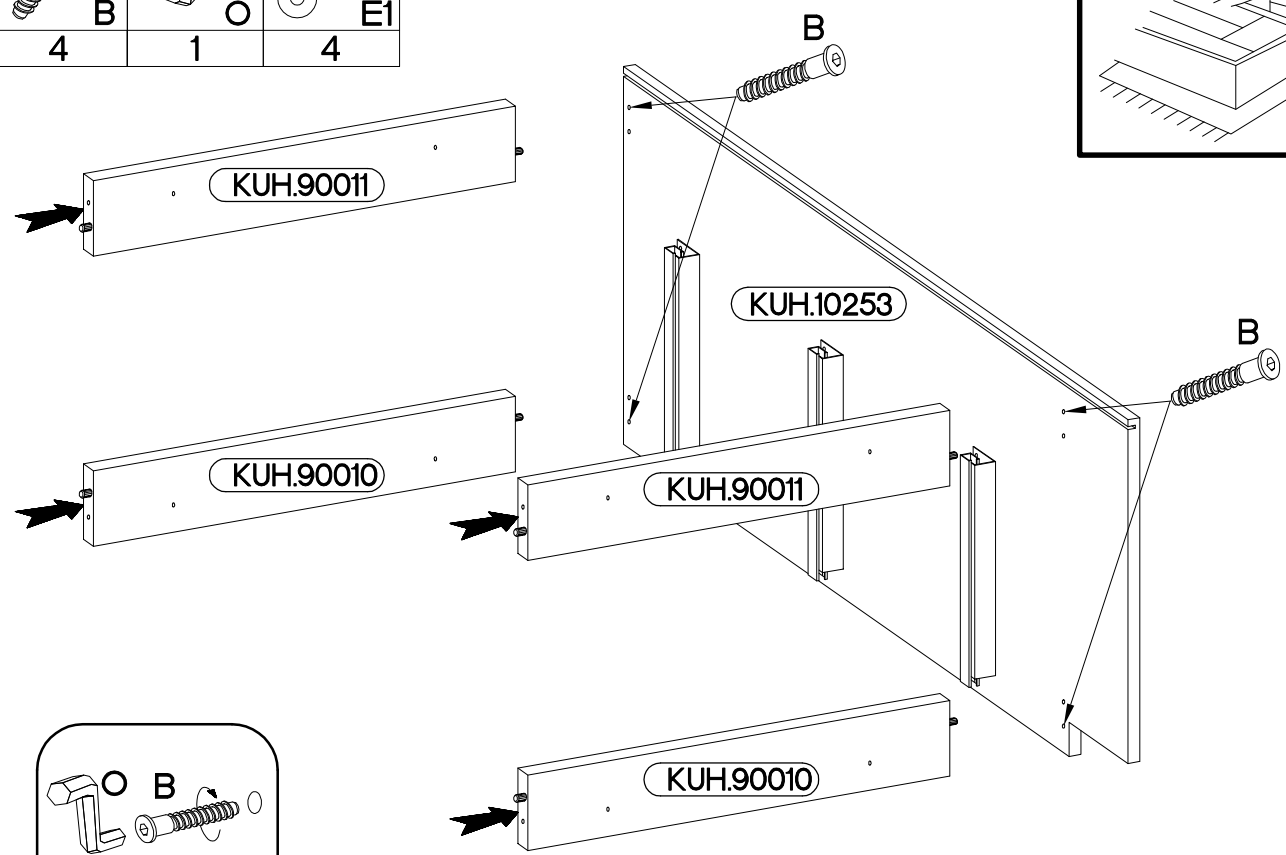
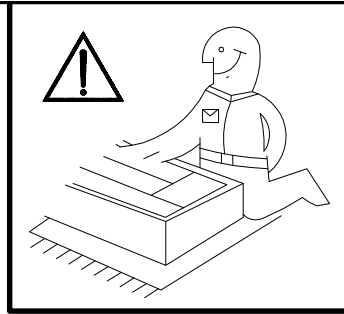


6.5x48x16 F2 4	±8x30mm A 8	L L=450mm I11 3	±6.3x13mm M2 24
----------------------	-------------------	--------------------------	-----------------------

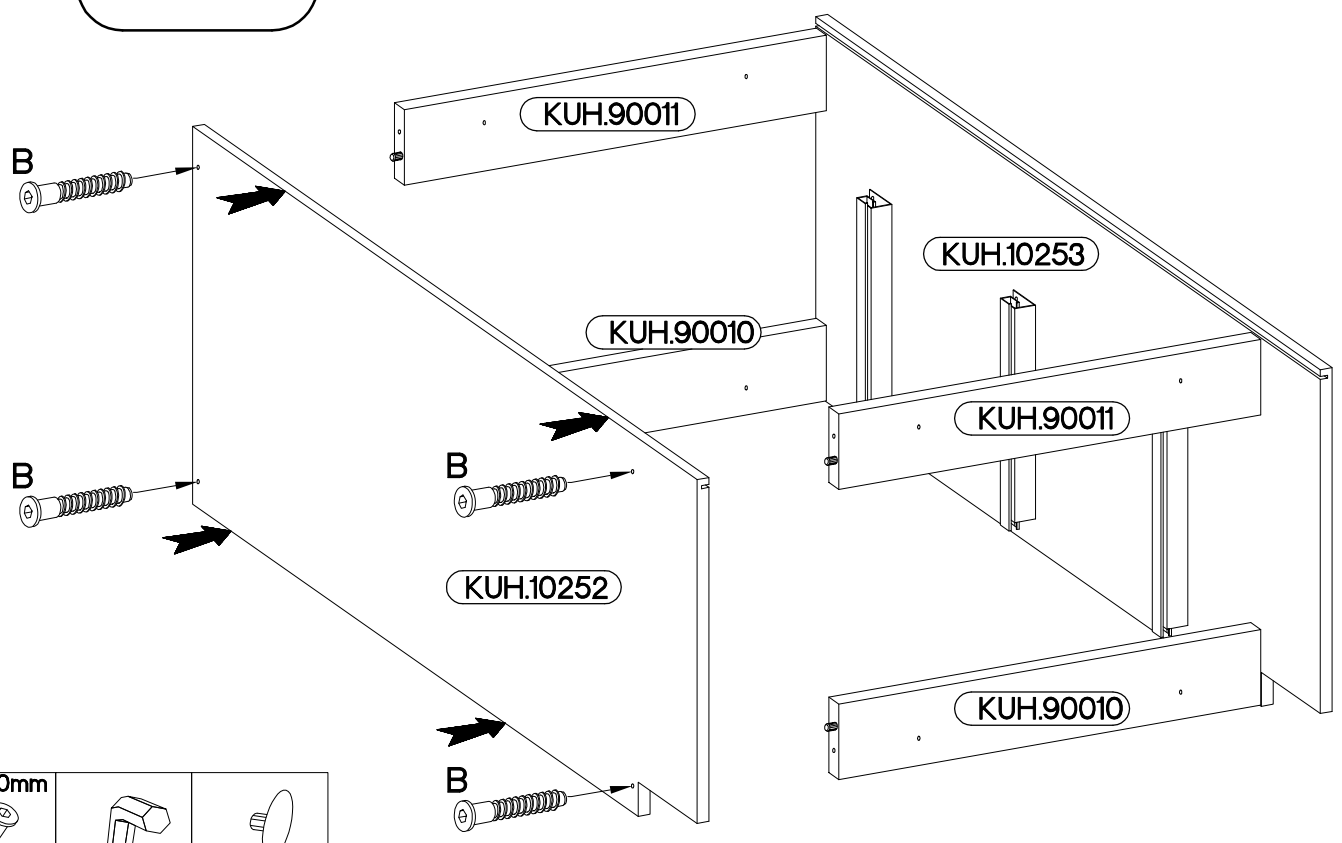


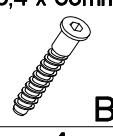
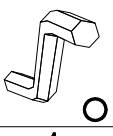
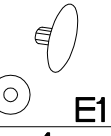
12

6,4 x 50mm		
		
B	O	E1
4	1	4

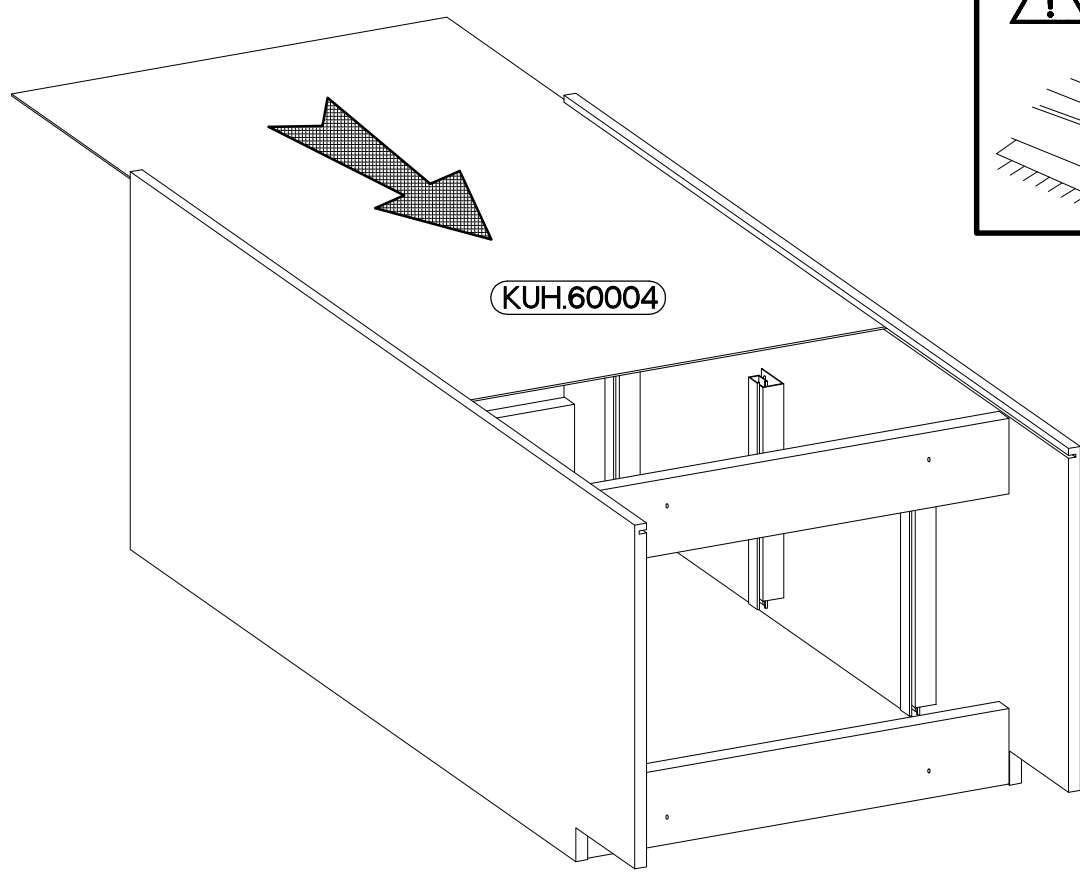
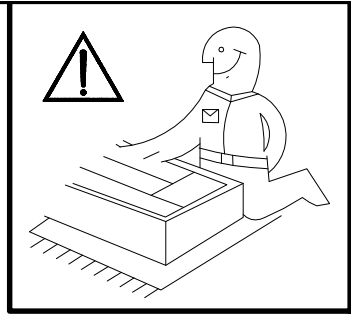


13

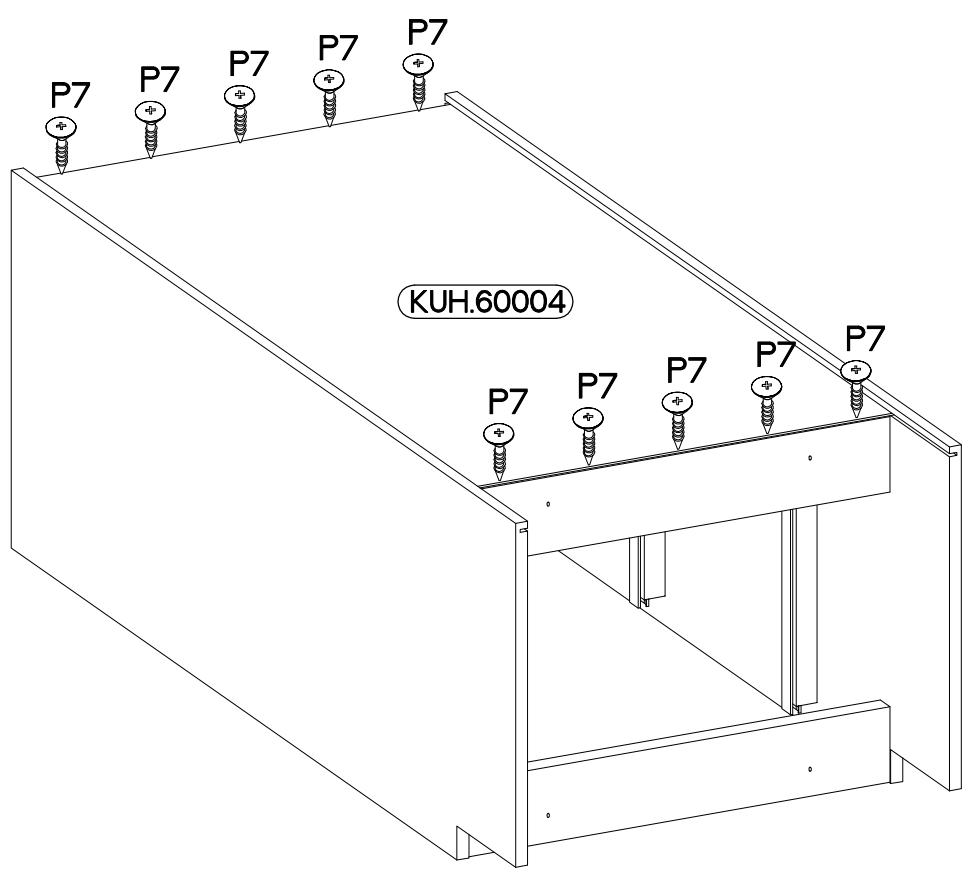
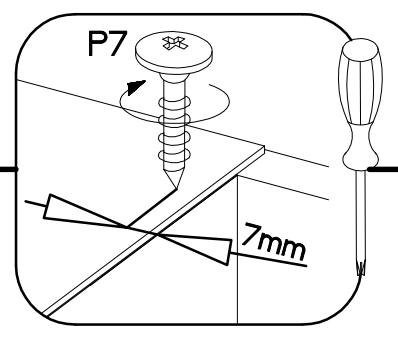
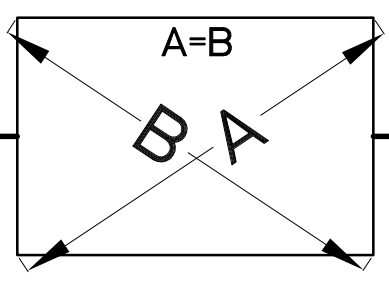
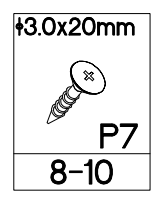





6,4 x 50mm		
		
B	O	E1
4	1	4

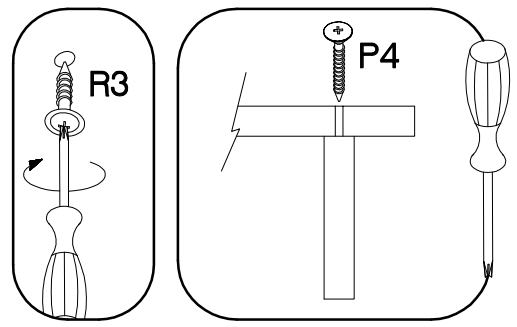
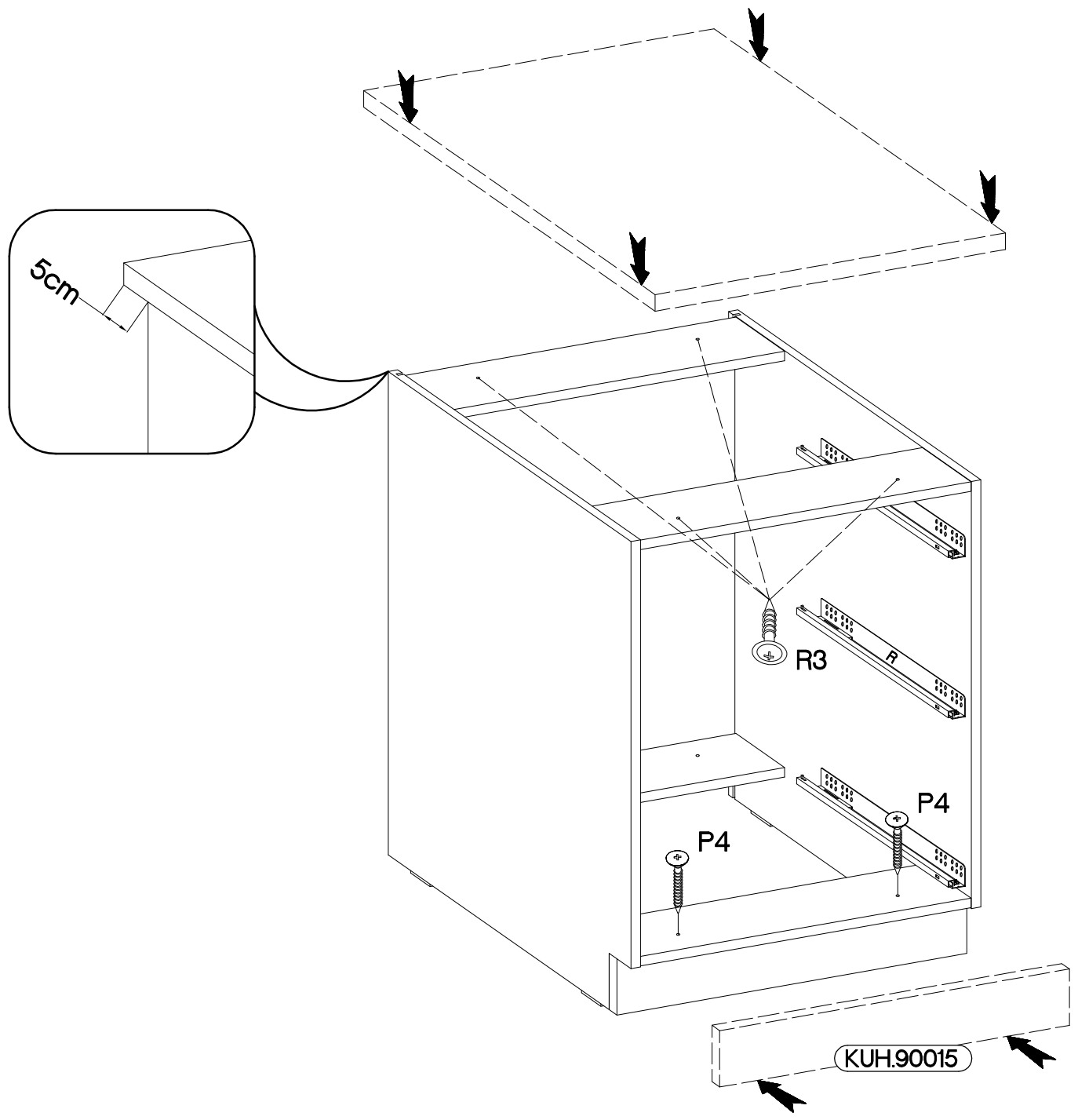
14

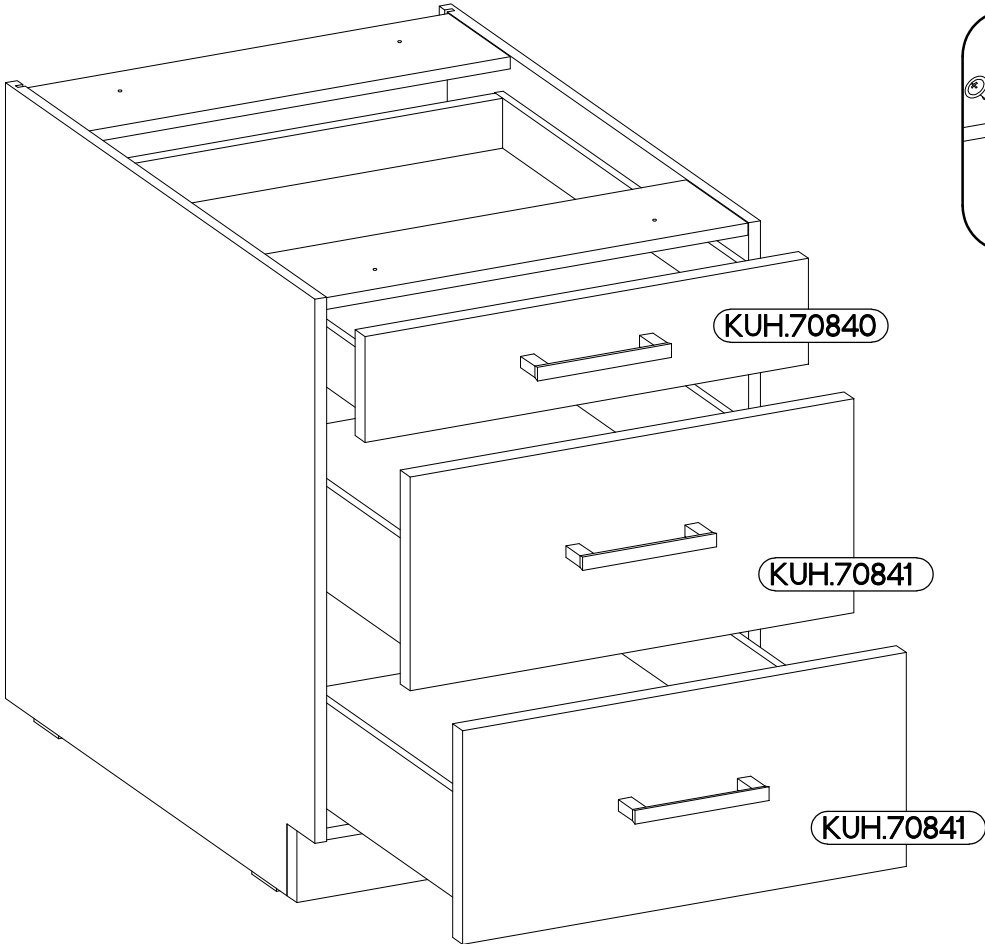
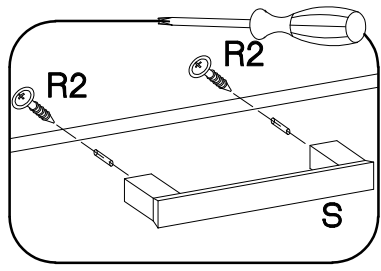


15

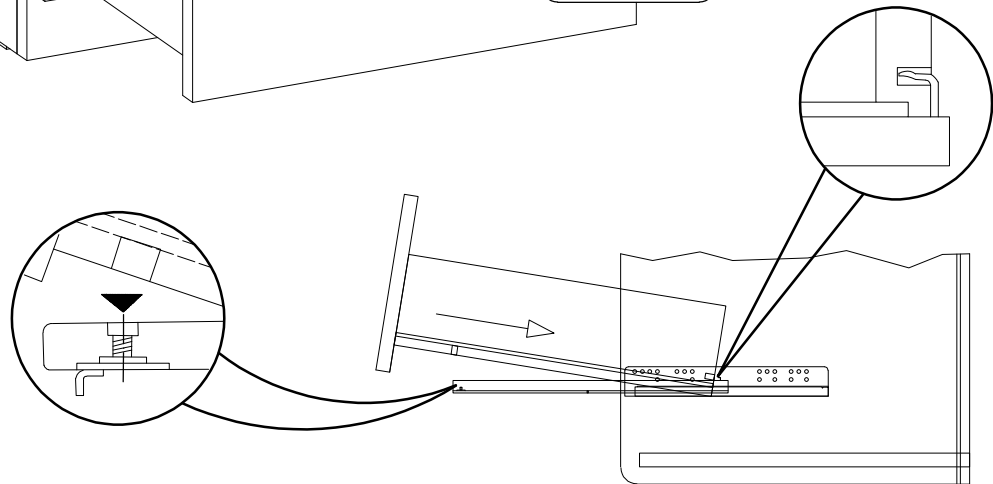


$\pm 4.0 \times 45 \text{mm}$  P4 2	 E9 2	$\pm 4.0 \times 35 \text{mm}$  R3 4
--	---	--

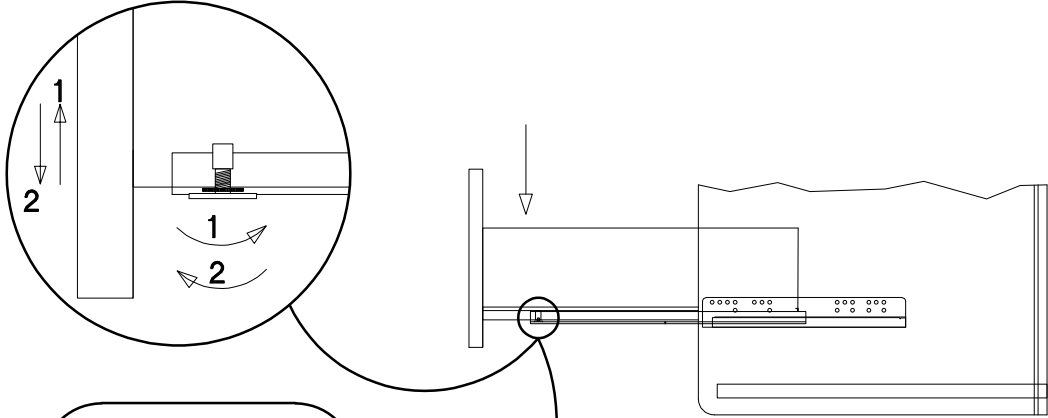




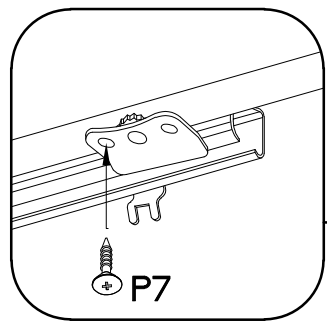
1.



2.



3.



±3.0x20mm	±4.0x30mm	
P7	R2	S
6	6	3