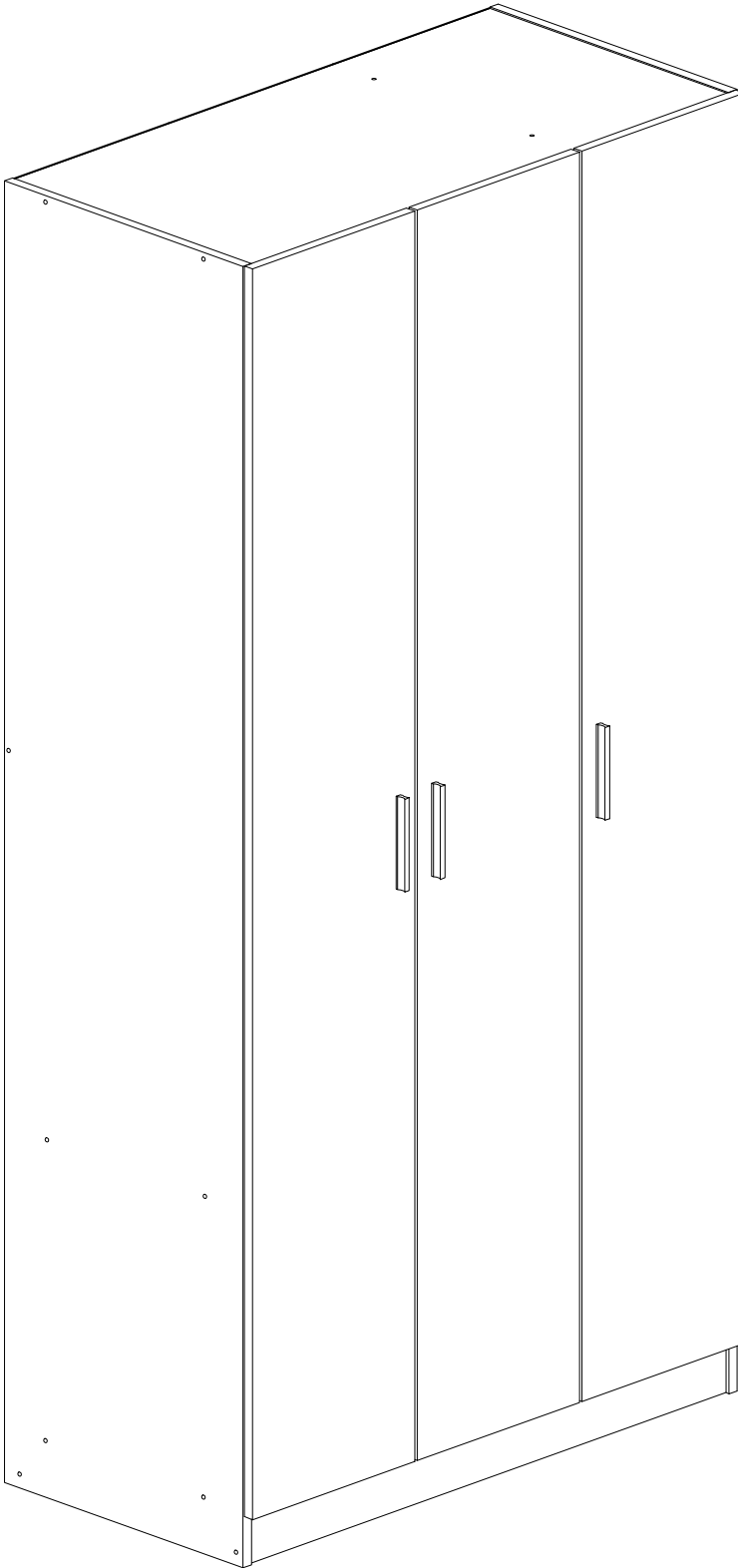





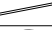


POSSINA

Assembly Instruction

Model : WILSON 3D

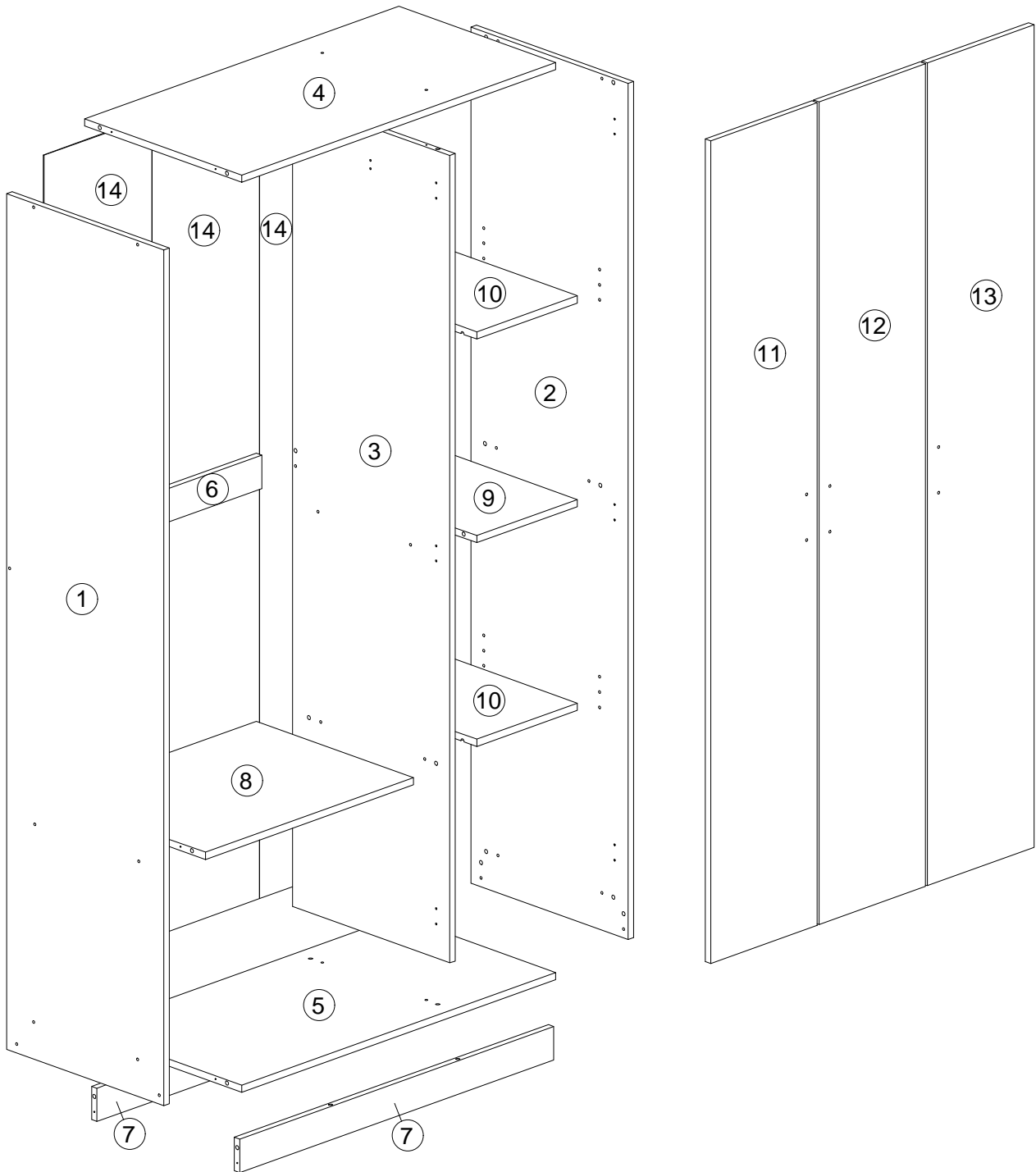


Hardware List			
No.	SHAPE	DESCRIPTION	Qty.
A		8x25mm Dowel (Wood)	30Pcs
B		M3.5x16mm Screw	74Pcs
C		M4x45mm Screw	26Pcs
D		Hinges 5/8	6Pcs
E		Hinges 2/8	3Pcs
F		V Bracket	2Pcs
G		Handle 7050.96	3Pcs
H		M4x25mm Screw	6Pcs
I		Shelf Support	8Pcs
J		5/8 Nail With Pin	6Pcs
K		6/8 Power Pin	40Pcs
L		L Bracket	4Pcs
M		Aluminium Pipe(569mm)	1Pc
N		Sticker	17Pcs

Part List			
No.	Descriptions		Qty.
1	Side Left Panel	1795x435x15	1PC
2	Side Right Panel	1795x435x15	1PC
3	Center Panel	1693x435x15	1PC
4	Top Panel	870x435x15	1PC
5	Bottom Panel	870x435x15	1PC
6	Back Rail	576x70x15	1PC
7	Leg Panel	870x70x15	2PCS
8	Partition Panel Big	435x576x15	1PC
9	Partition Center Panel Small	279x395x15	1PC
10	Adjust Panel Small	279x395x15	2PCS
11	Door Left	1725x295x15	1PC
12	Door Center	1725x295x15	1PC
13	Door Right	1725x295x15	1PC
14	Back Panel	1721x298.5x2.5	3PCS

Assembly Instruction

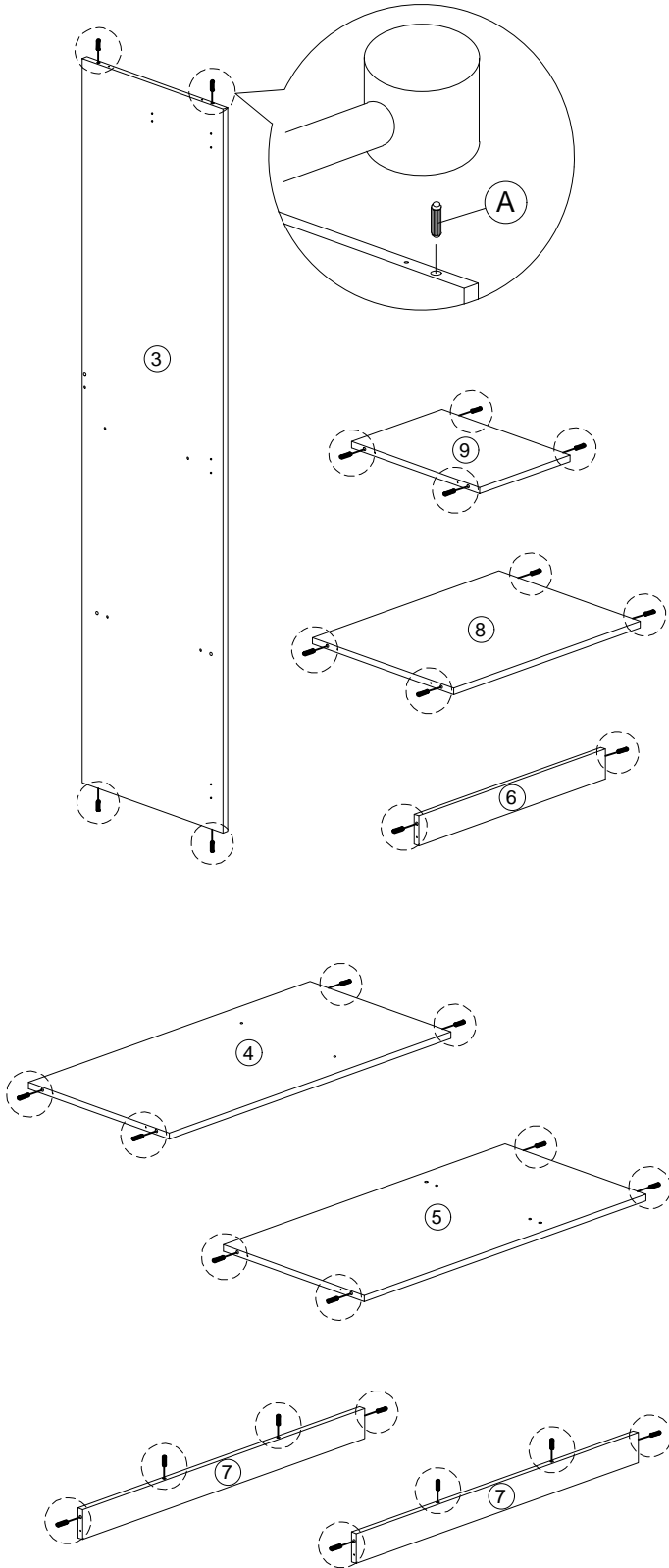
Part List



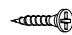

Assembly Instruction

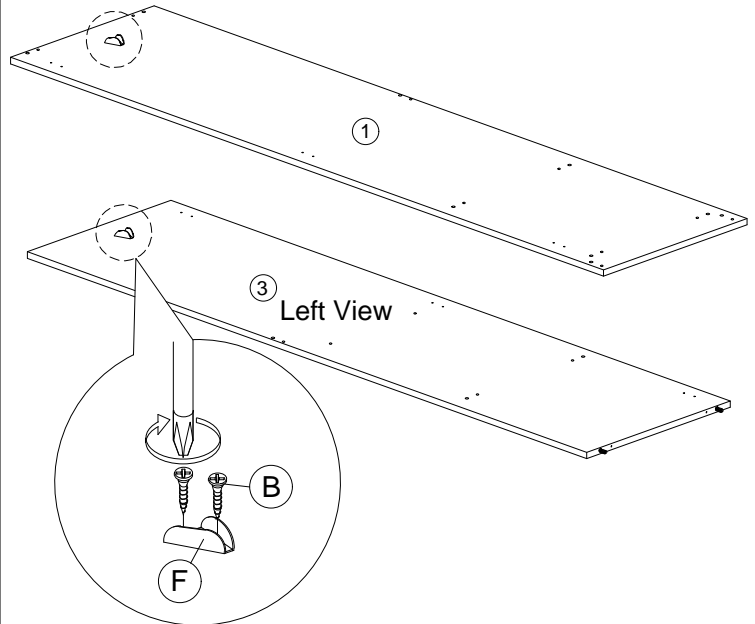
Step 1

A		8x25mm Dowel (Wood)	30Pcs
---	---	---------------------	-------




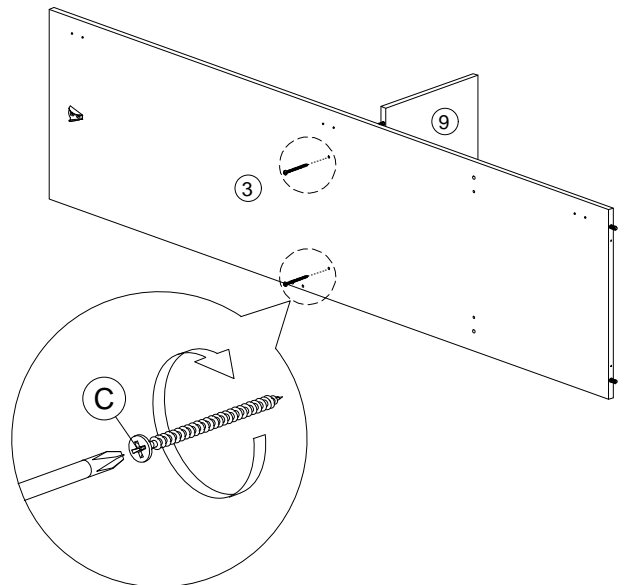
Step 2

B		M3.5x16mm Screw	4Pcs
F		V Bracket	2Pcs




Step 3

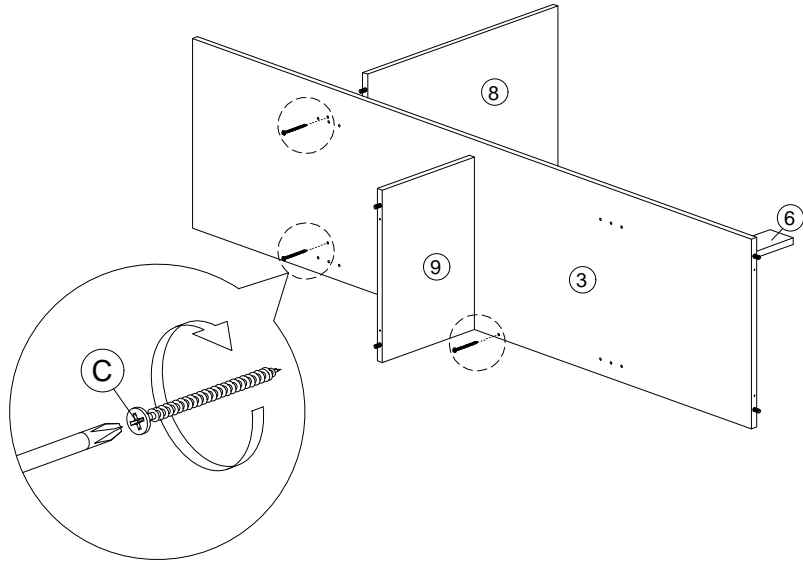
C		M4x45mm Screw	2Pcs
---	---	---------------	------




Assembly Instruction

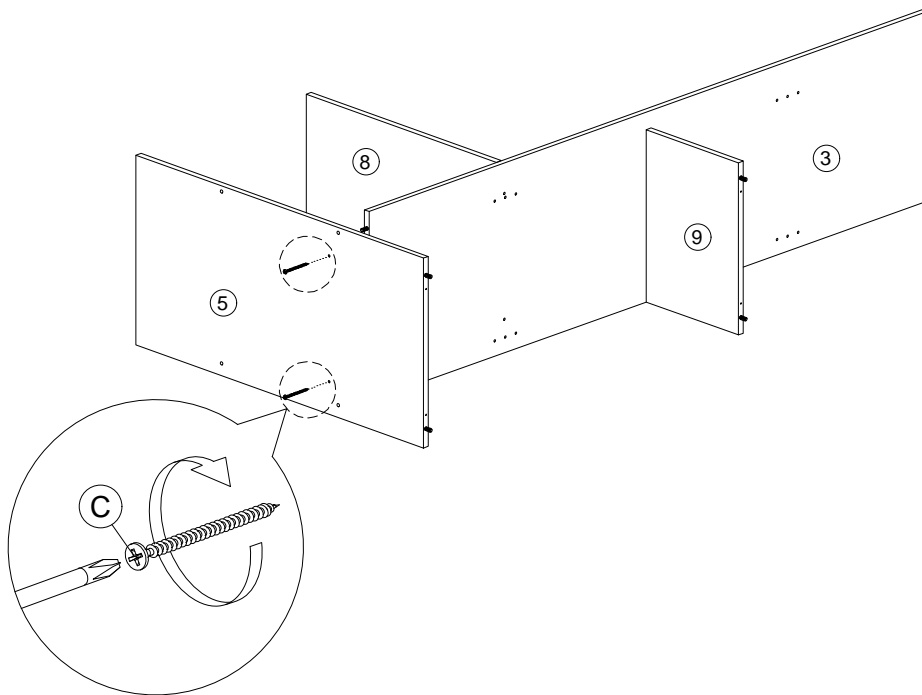
Step 4

C		M4x45mm Screw	3Pcs
---	---	---------------	------



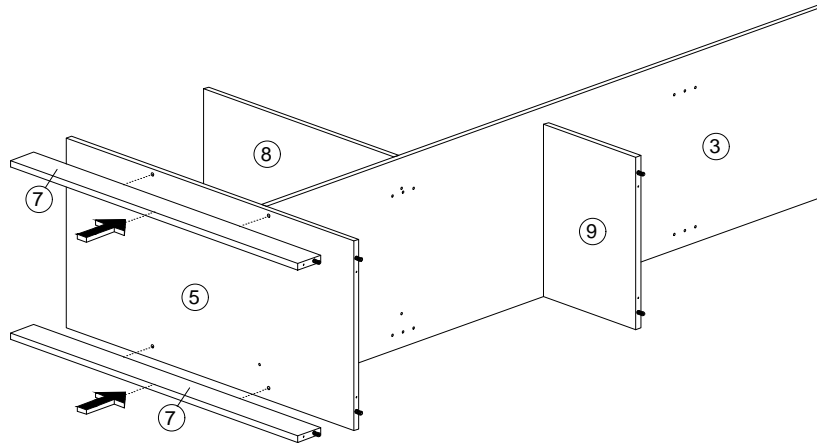
Step 5

C		M4x45mm Screw	2Pcs
---	---	---------------	------




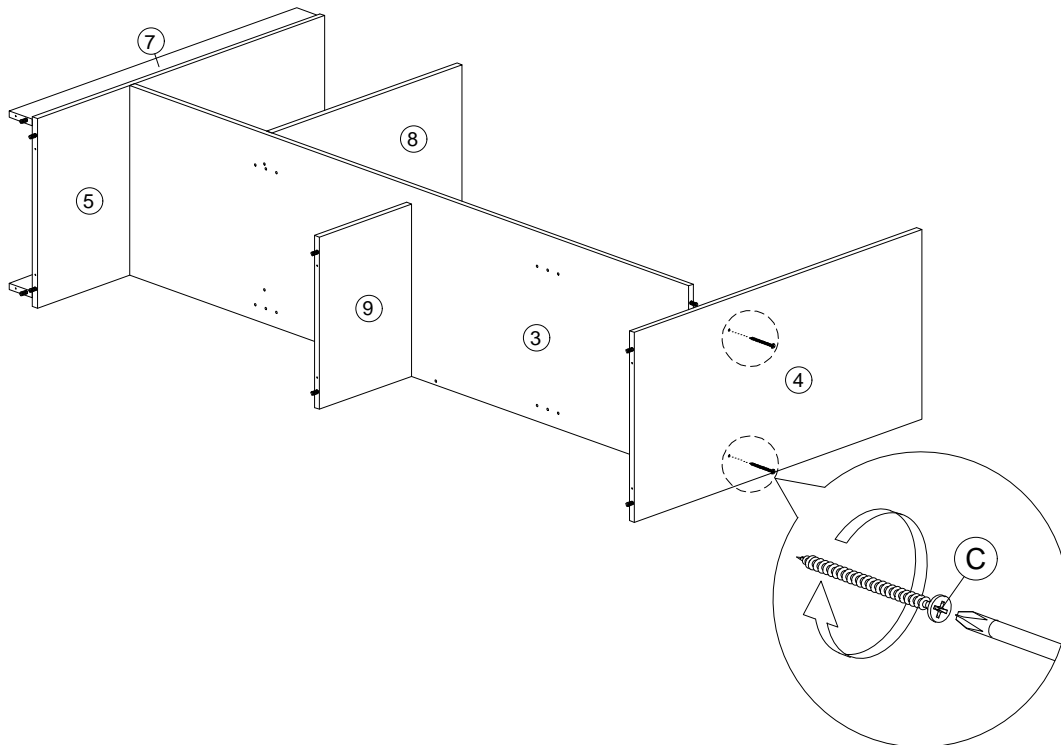
Assembly Instruction

Step 6




Step 7


C		M4x45mm Screw	2Pcs
---	---	---------------	------

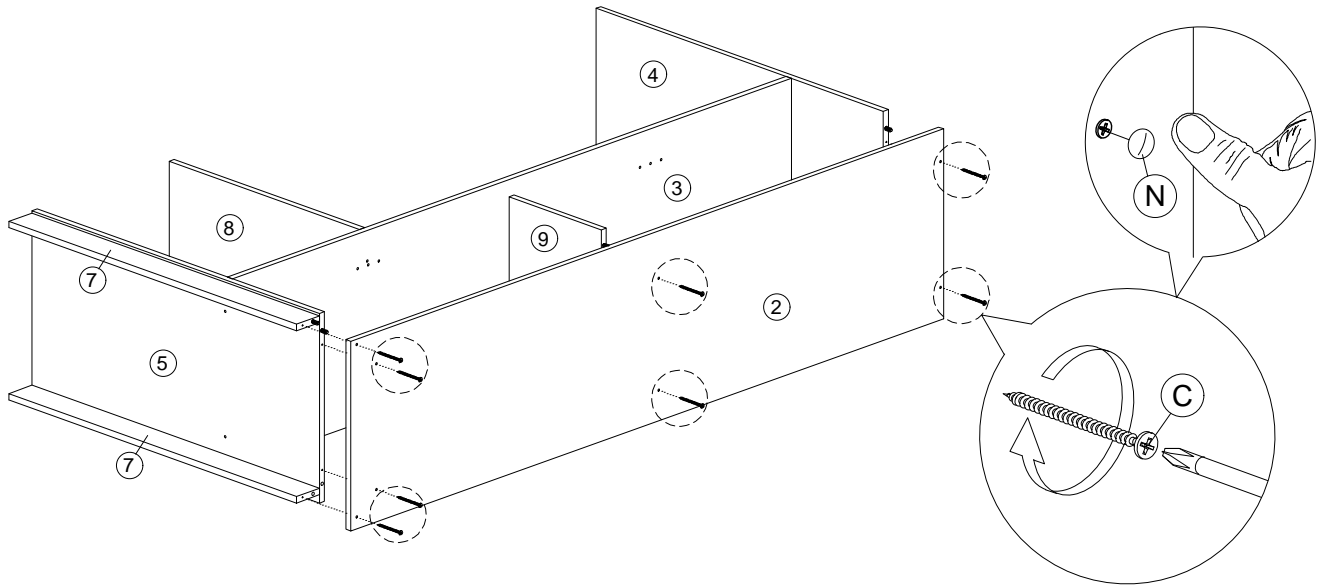


Assembly Instruction


Step 8


C		M4x45mm Screw	8Pcs
---	---	---------------	------

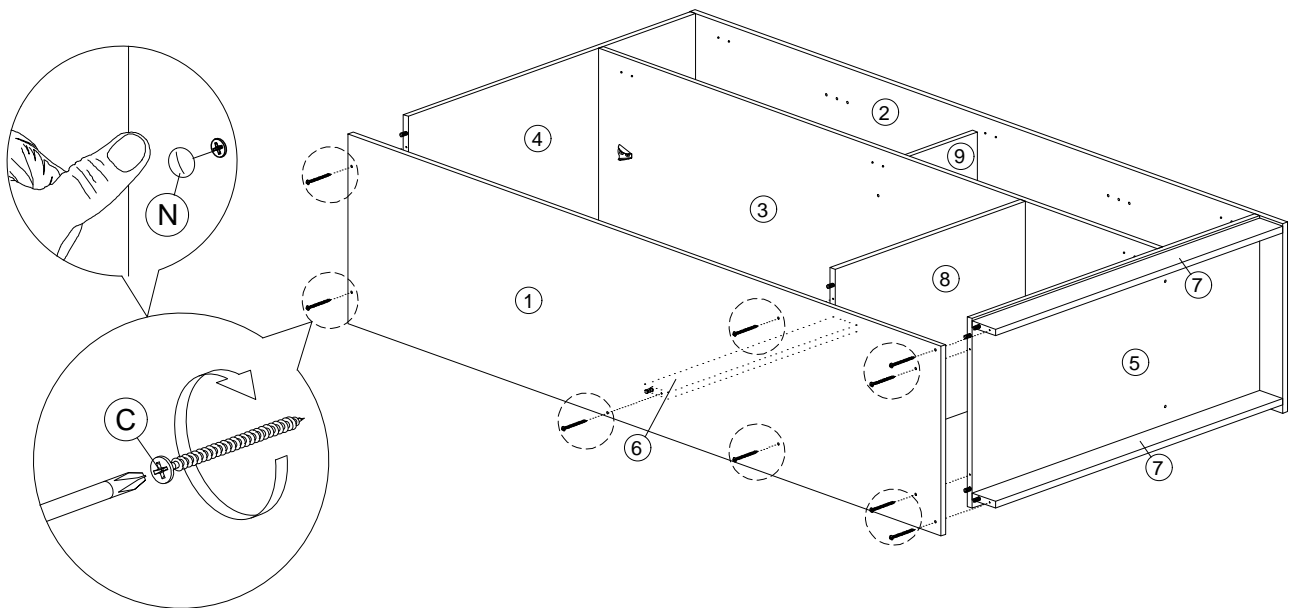
N		Sticker	8Pcs
---	---	---------	------



Step 9

C		M4x45mm Screw	9Pcs
---	---	---------------	------

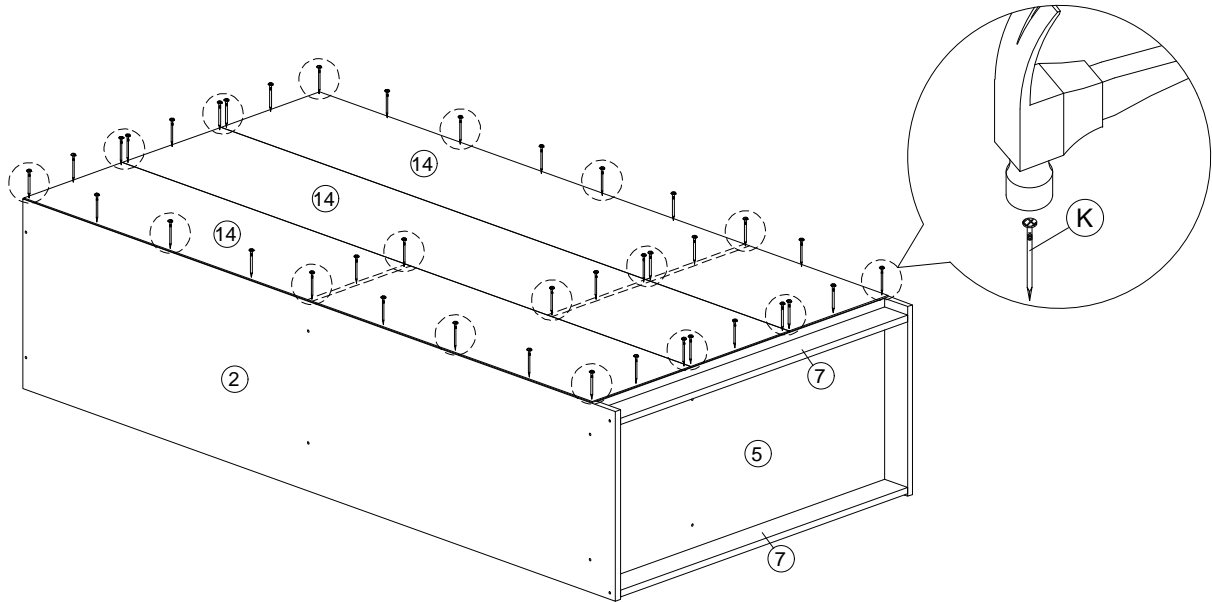
N		Sticker	9Pcs
---	---	---------	------



Assembly Instruction

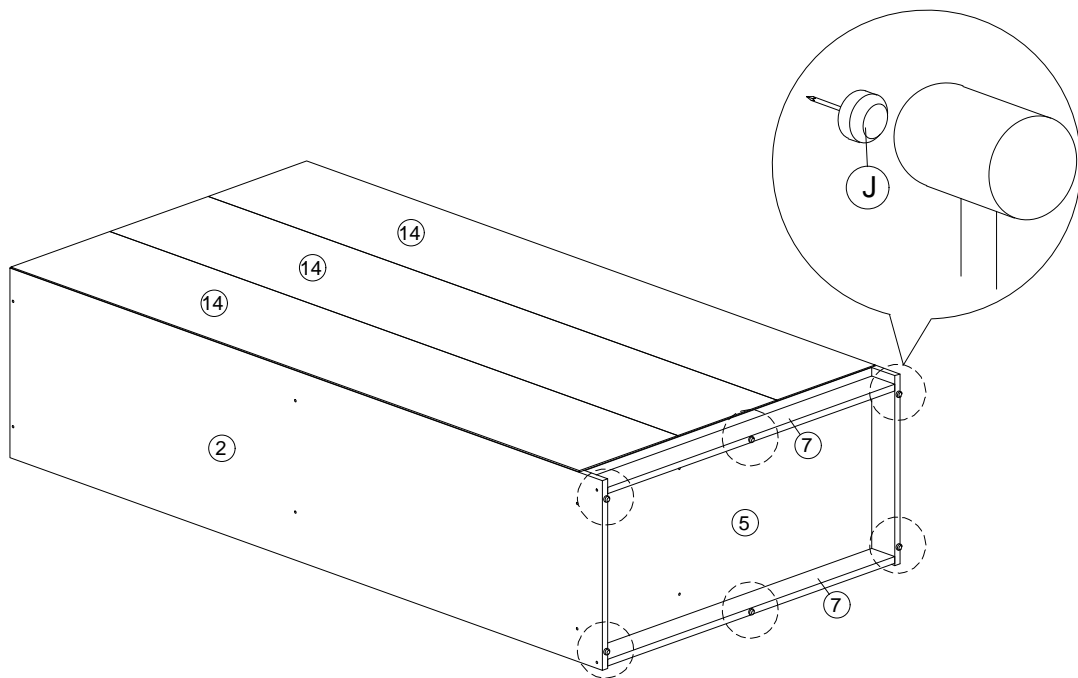
Step 10

K		6/8 Power Pin	40Pcs
---	---	---------------	-------



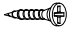
Step 11

J		5/8 Nail With Pin	6Pcs
---	---	-------------------	------

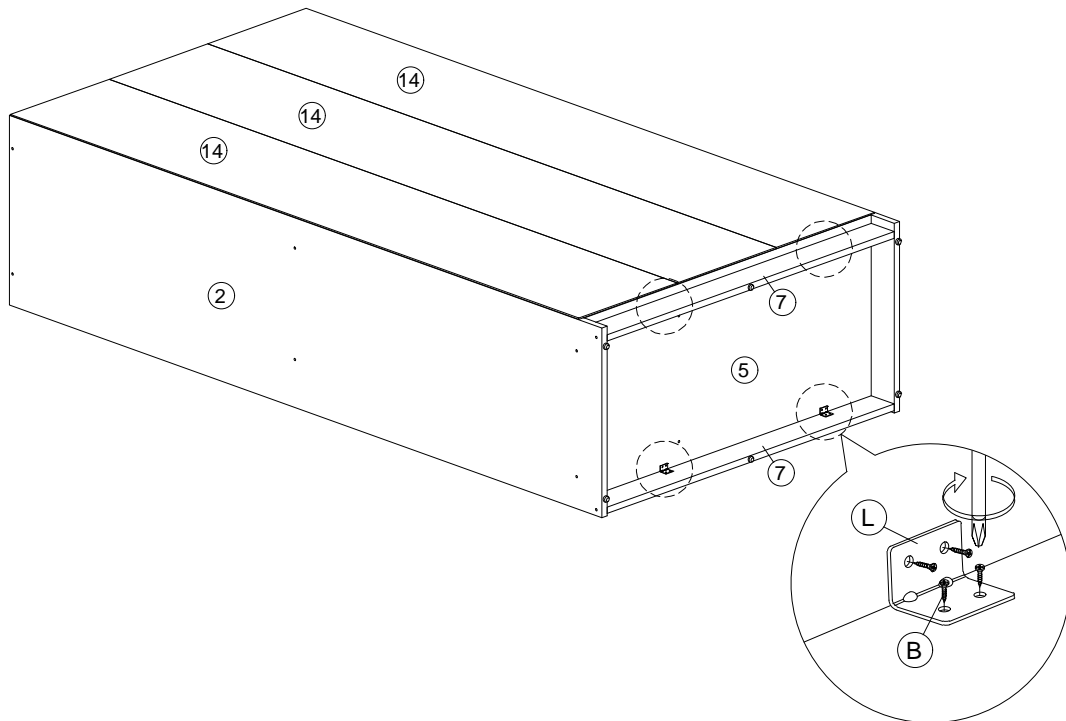


Assembly Instruction

Step 12

B		M3.5x16mm Screw	16Pcs
---	---	-----------------	-------

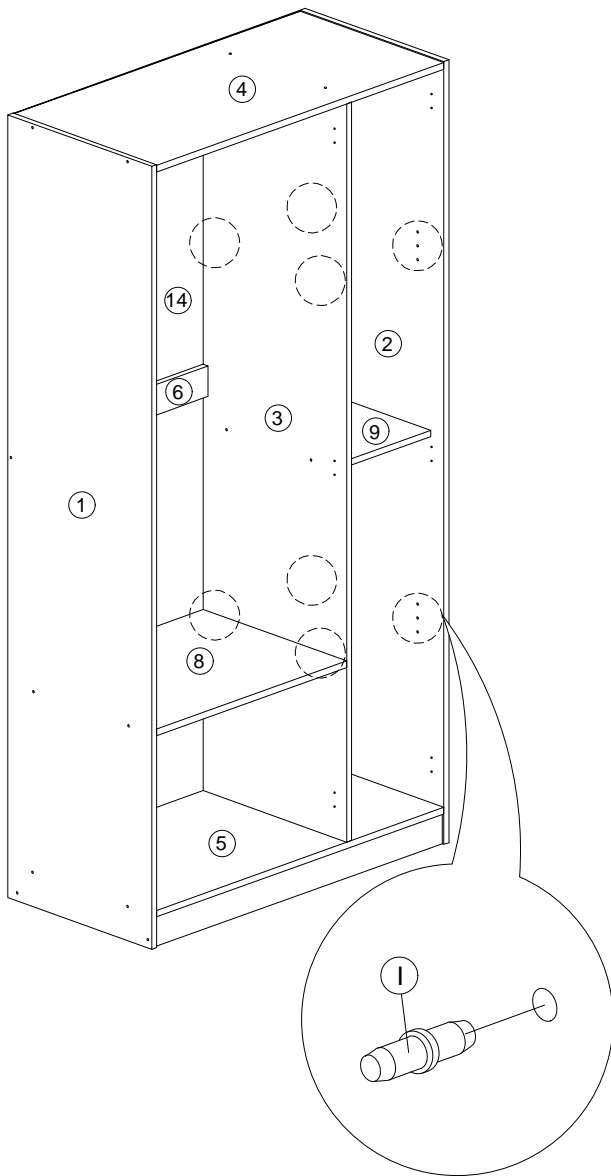
L		L Bracket	4Pcs
---	---	-----------	------



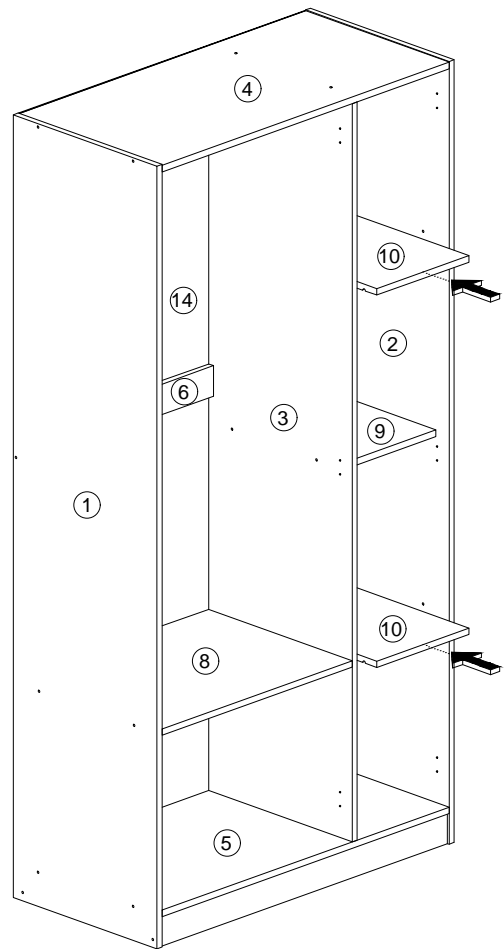
Assembly Instruction

Step 13

I		Shelf Support	8Pcs
---	---	---------------	------



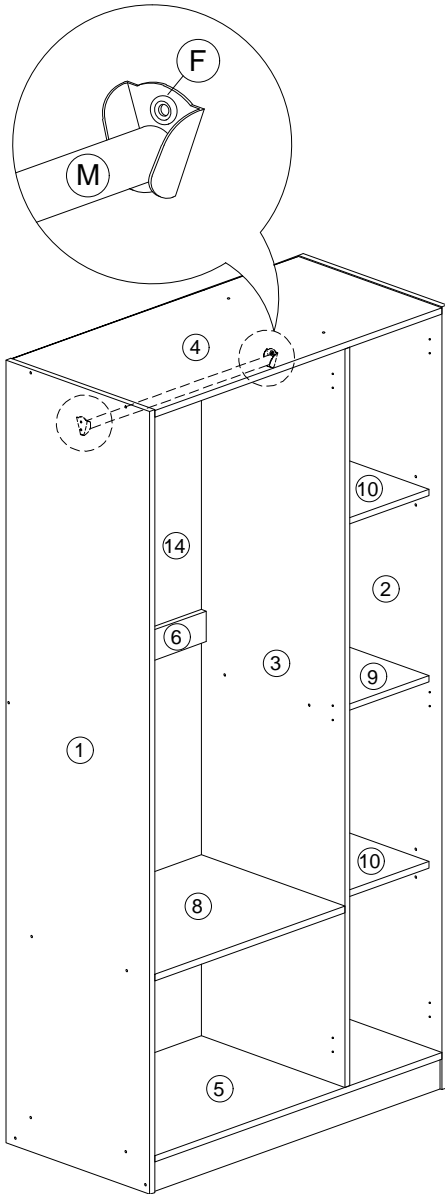
Step 14



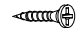

Assembly Instruction

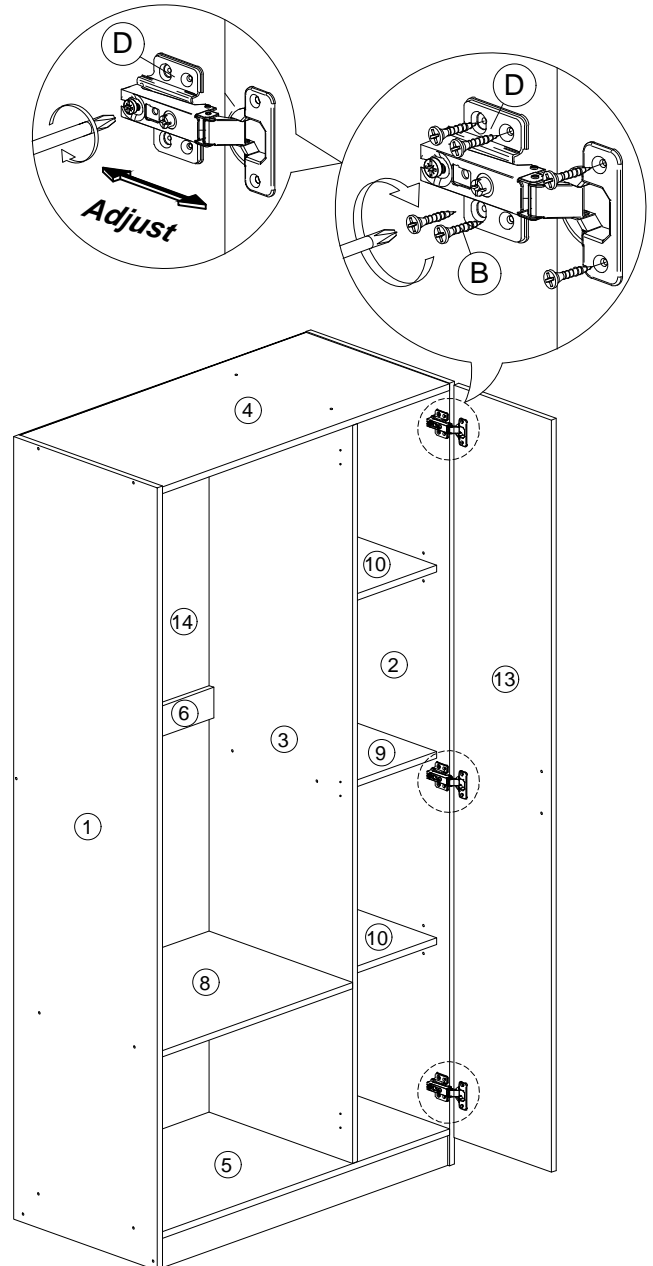
Step 15

M		Aluminium Pipe 569mm	1Pc
---	---	----------------------	-----



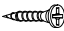
Step 16


B		M3.5x16mm Screw	18Pcs
D		Hinges 5/8	3Pcs

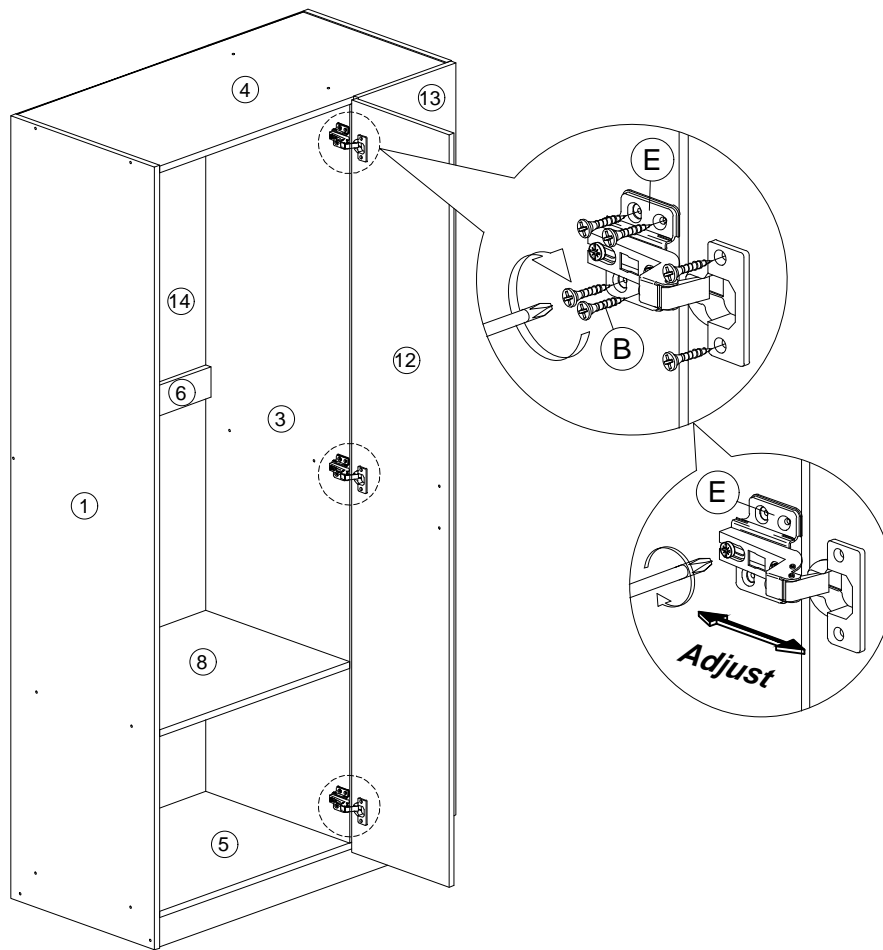


Assembly Instruction

Step 18


B		M3.5x16mm Screw	18Pcs
---	---	-----------------	-------


E		Hinges 2/8	3Pcs
---	---	------------	------

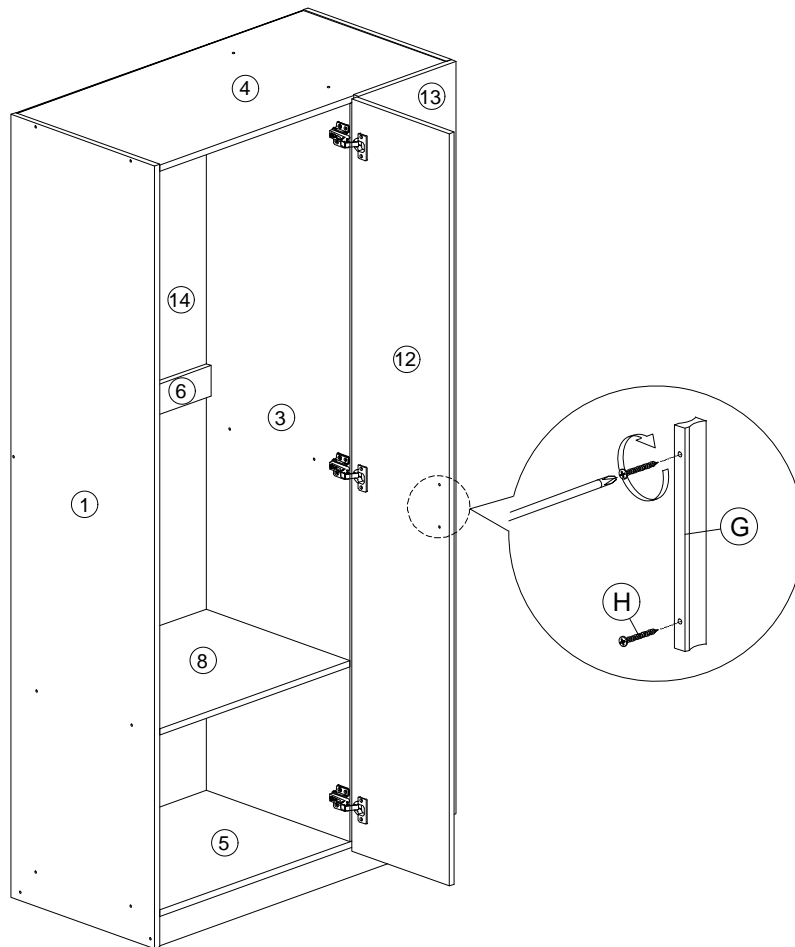


Assembly Instruction

Step 19

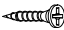
G		Handle 7050.96	1Pc
---	---	----------------	-----

H		M4x25mm Screw	2Pcs
---	---	---------------	------

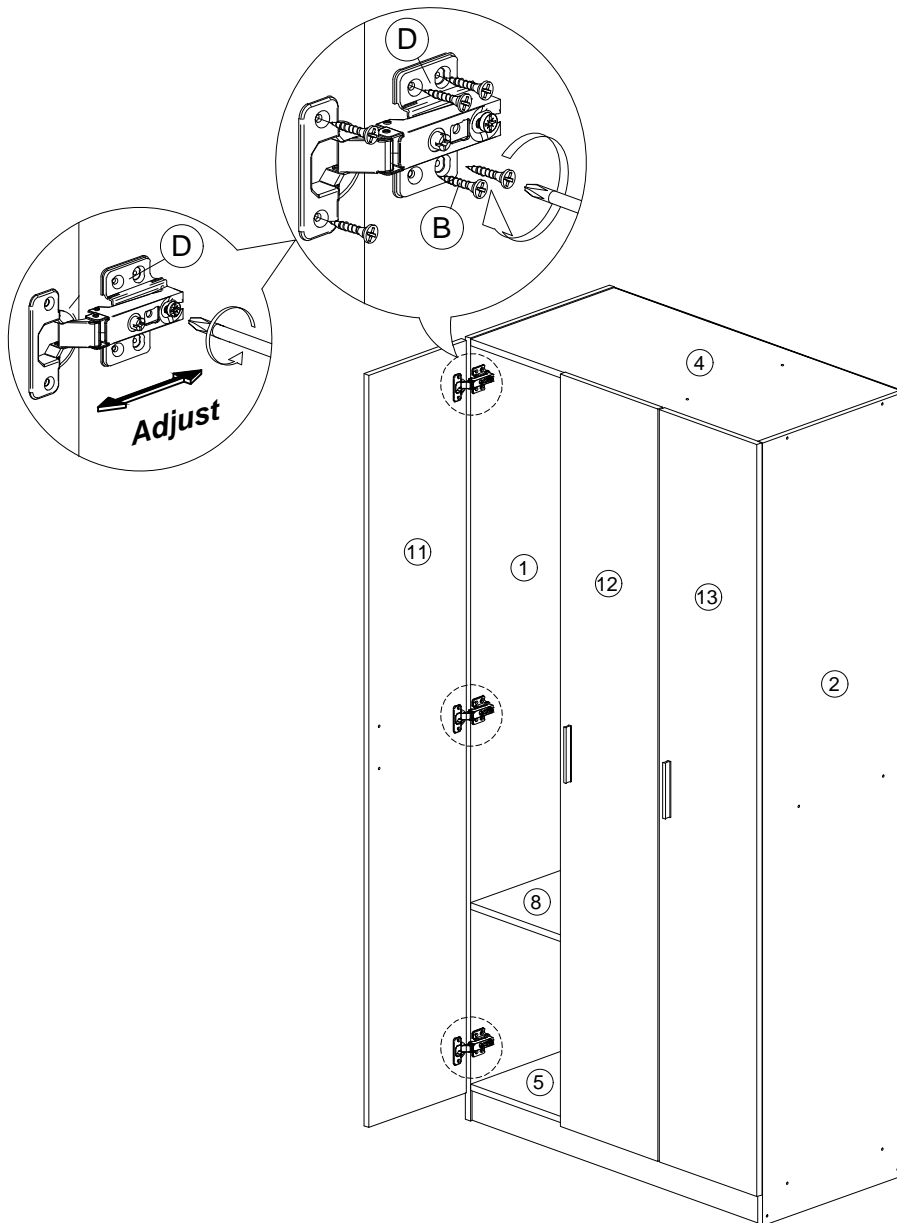


Assembly Instruction

Step 20

B		M3.5x16mm Screw	18Pcs
---	---	-----------------	-------


D		Hinges 5/8	3Pcs
---	---	------------	------



Assembly Instruction

Step 21

G		Handle 7050.96	1Pc
---	---	----------------	-----

H		M4x25mm Screw	2Pcs
---	---	---------------	------

