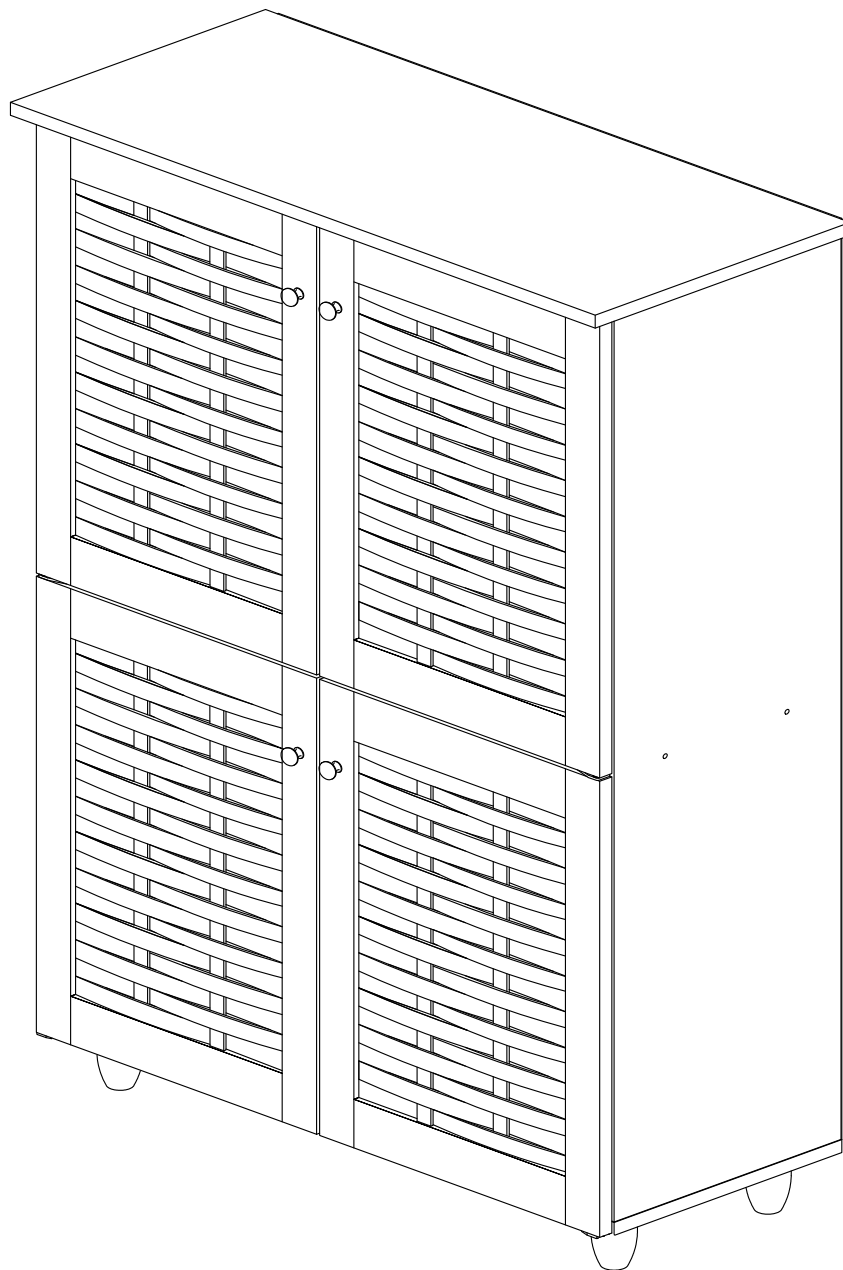


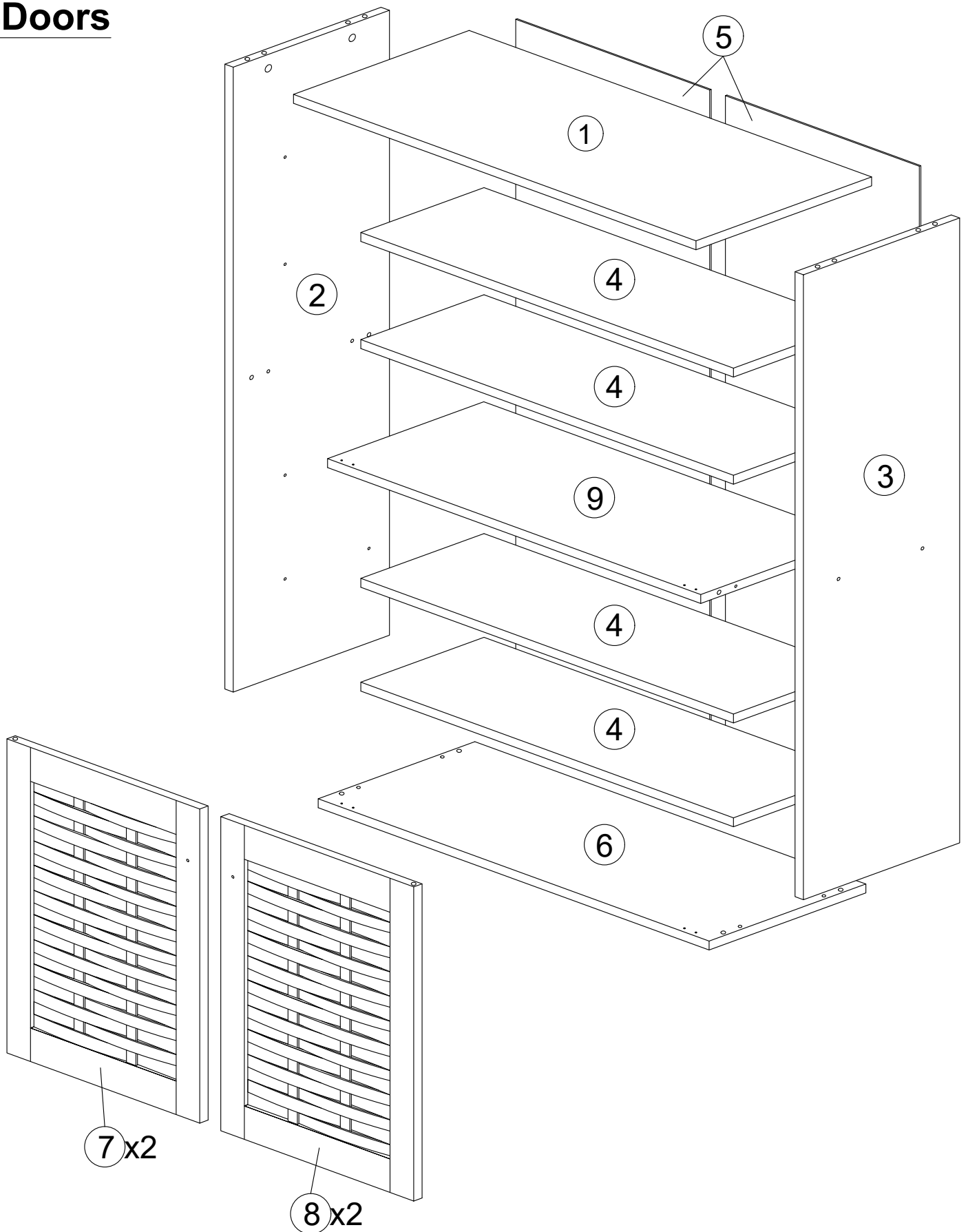
ASSEMBLY INSTRUCTION

SC 99
4Doors



ASSEMBLY INSTRUCTION

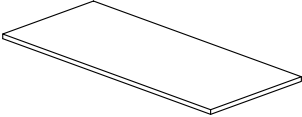


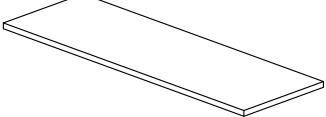

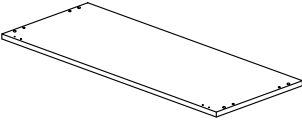
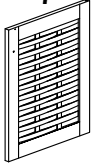
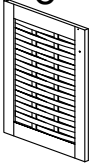
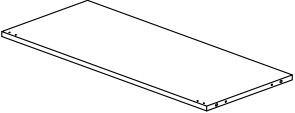
SC 99
4Doors



ASSEMBLY INSTRUCTION

SC 99 4Doors







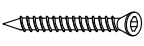



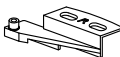
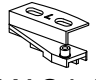

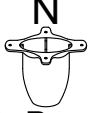



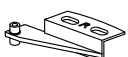
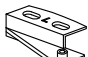
PART LIST

<p>1</p>  <p>Top Panel 1 PC</p>	<p>2</p>  <p>Side Panel L 1 PC</p>	<p>3</p>  <p>Side Panel R 1 PC</p>	<p>4</p>  <p>Shelf Panel 4 PCS</p>
<p>5</p>  <p>Back Panel 2 PCS</p>	<p>6</p>  <p>Bottom Panel 1 PC</p>	<p>7</p>  <p>Door Panel L 2 PCS</p>	<p>8</p>  <p>Door Panel R 2 PCS</p>
<p>9</p>  <p>Middle Panel 1 PC</p>			

ASSEMBLY INSTRUCTION

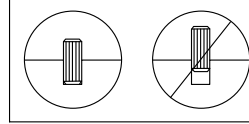
SC 99 4Doors

HARDWARE LIST

<p>A</p>  <p>Camlock 15MM 4 PCS</p>	<p>B</p>  <p>Camlock Bolt 15MM 4 PCS</p>	<p>C</p>  <p>M8x25MM Wood Dowel 12 PCS</p>	<p>D</p>  <p>CB Screw M3x12MM 4 PCS</p>
<p>E</p>  <p>CB Screw M3.5x16MM 24 PCS</p>	<p>F</p>  <p>Door Spring 2 PCS</p>	<p>G</p>  <p>Csk M6x50MM 8 PCS</p>	<p>H</p>  <p>M4 Allen Key 1 PC</p>
<p>I</p>  <p>Handle Screw M4x22MM 4 PCS</p>	<p>J</p>  <p>Metal Handle 4 PCS</p>	<p>K</p>  <p>MAS R4 1 PC</p>	<p>L</p>  <p>MAS L4 1 PC</p>
<p>M</p>  <p>Sticker 4 PCS</p>	<p>N</p>  <p>Plastic Round Leg 4 PCS</p>	<p>O</p>  <p>Nail 5/8 24 PCS</p>	<p>P</p>  <p>Shelf Support 16 PCS</p>
<p>Q</p>  <p>Q1 Magnet with Metal Plate Q2 4 SETS</p>	<p>R</p>  <p>MAS R2 1 PC</p>	<p>S</p>  <p>MAS L2 1 PC</p>	

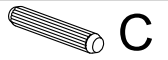
ASSEMBLY INSTRUCTION

Step 1



Required/Requis/Requerido

x12

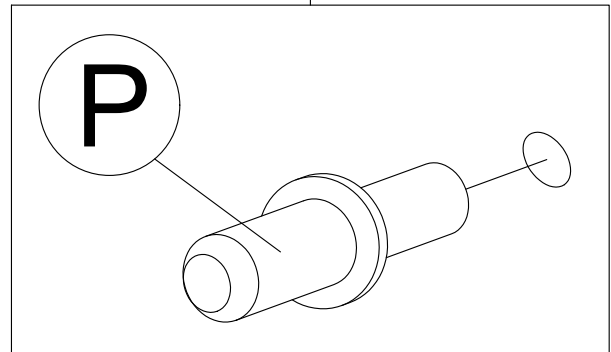
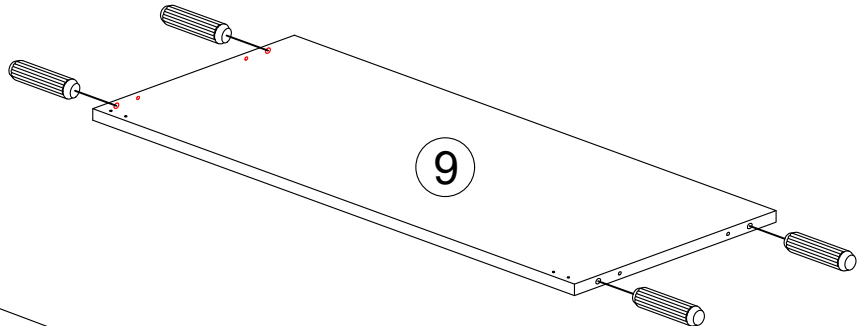
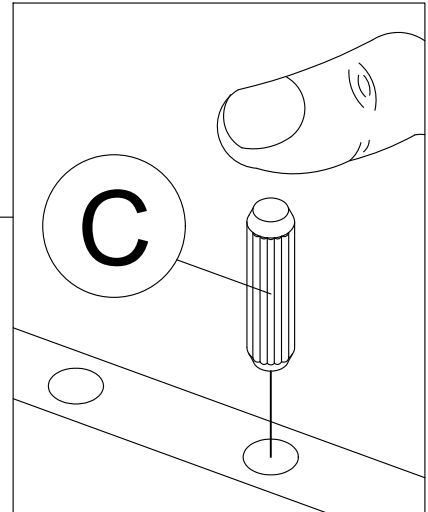
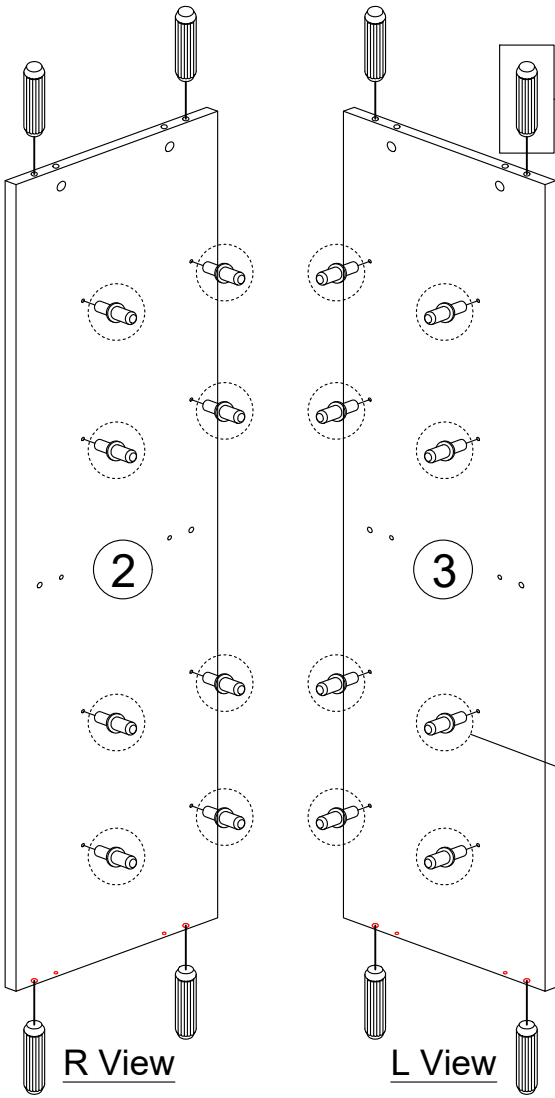


C

x16



P



ASSEMBLY INSTRUCTION

Step 2

Don't Tighten until end, please left 2-5mm distance for next step assembly part

Required/Requis/Requerido

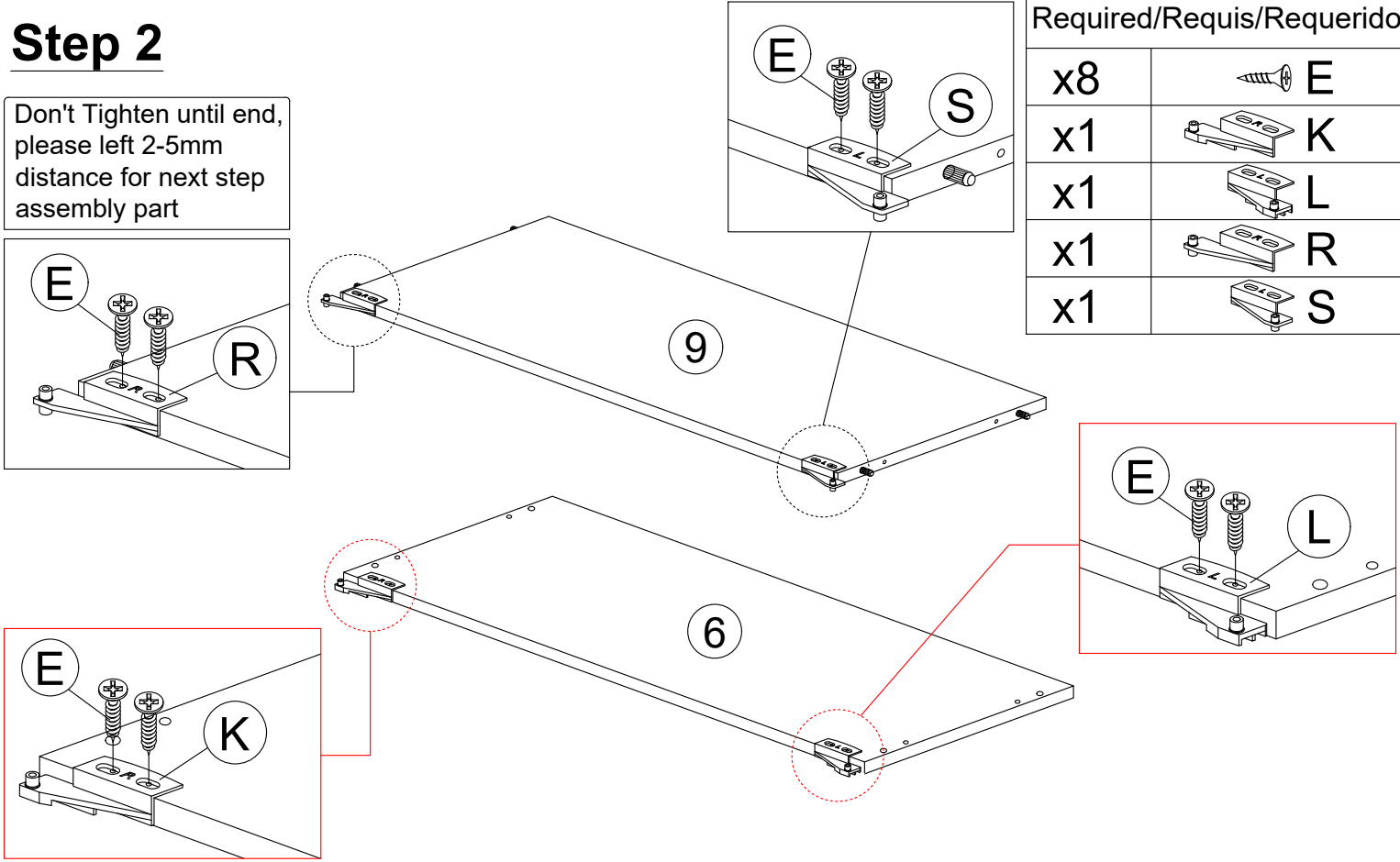
x8  E

x1  K

x1  L

x1  R

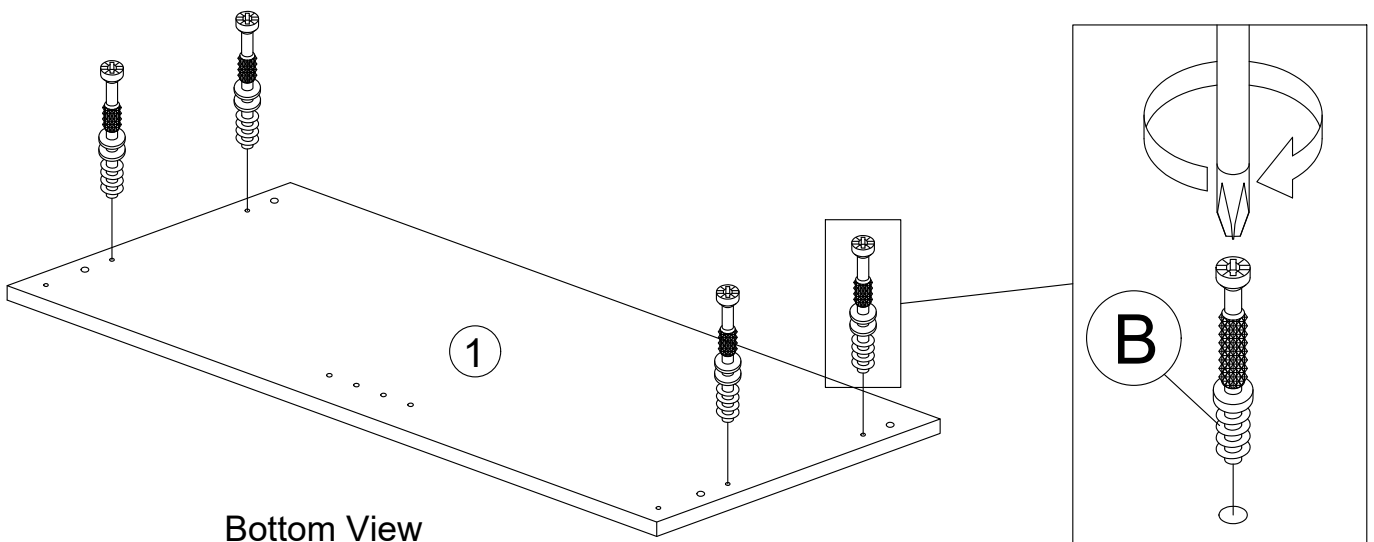
x1  S



Step 3

Required/Requis/Requerido

x4  B



Bottom View

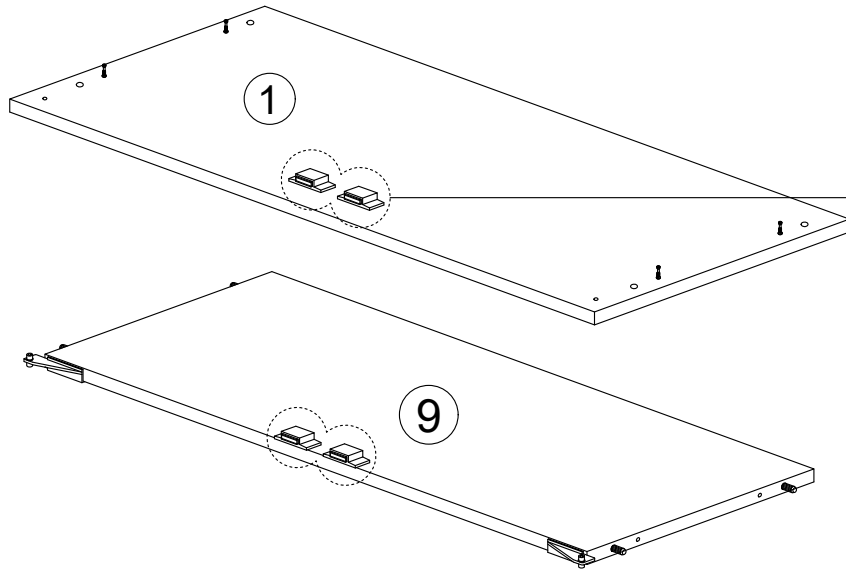
ASSEMBLY INSTRUCTION

Step 4

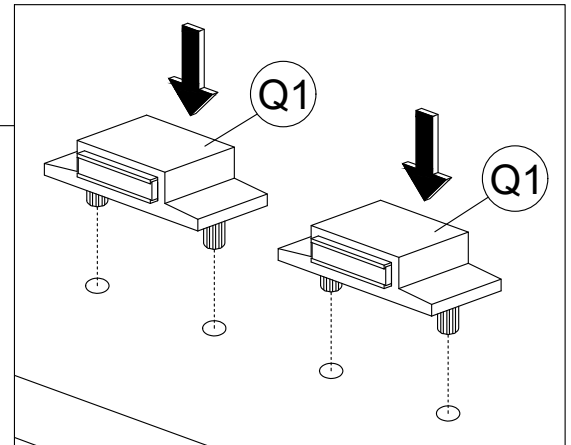
Required/Requis/Requerido

x4

 Q1



Bottom View



Step 5

Required/Requis/Requerido

x4

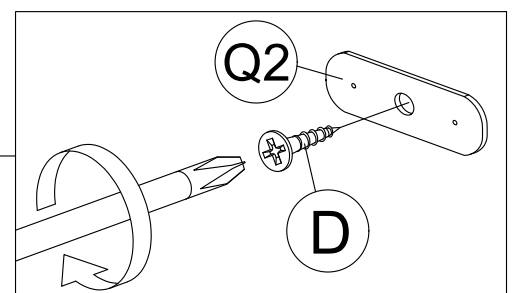
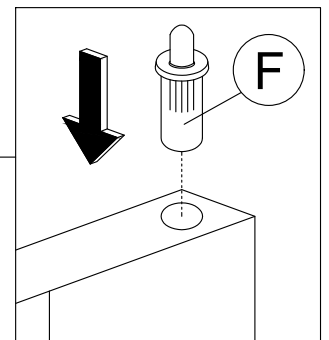
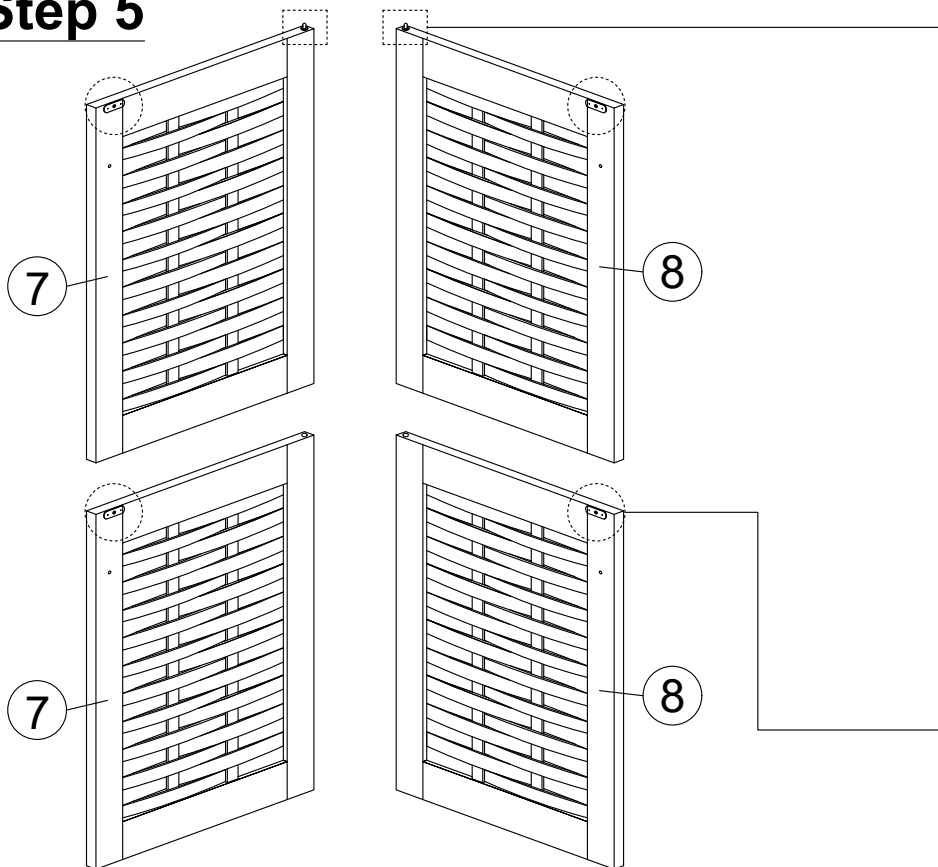
 D

x4

 Q2

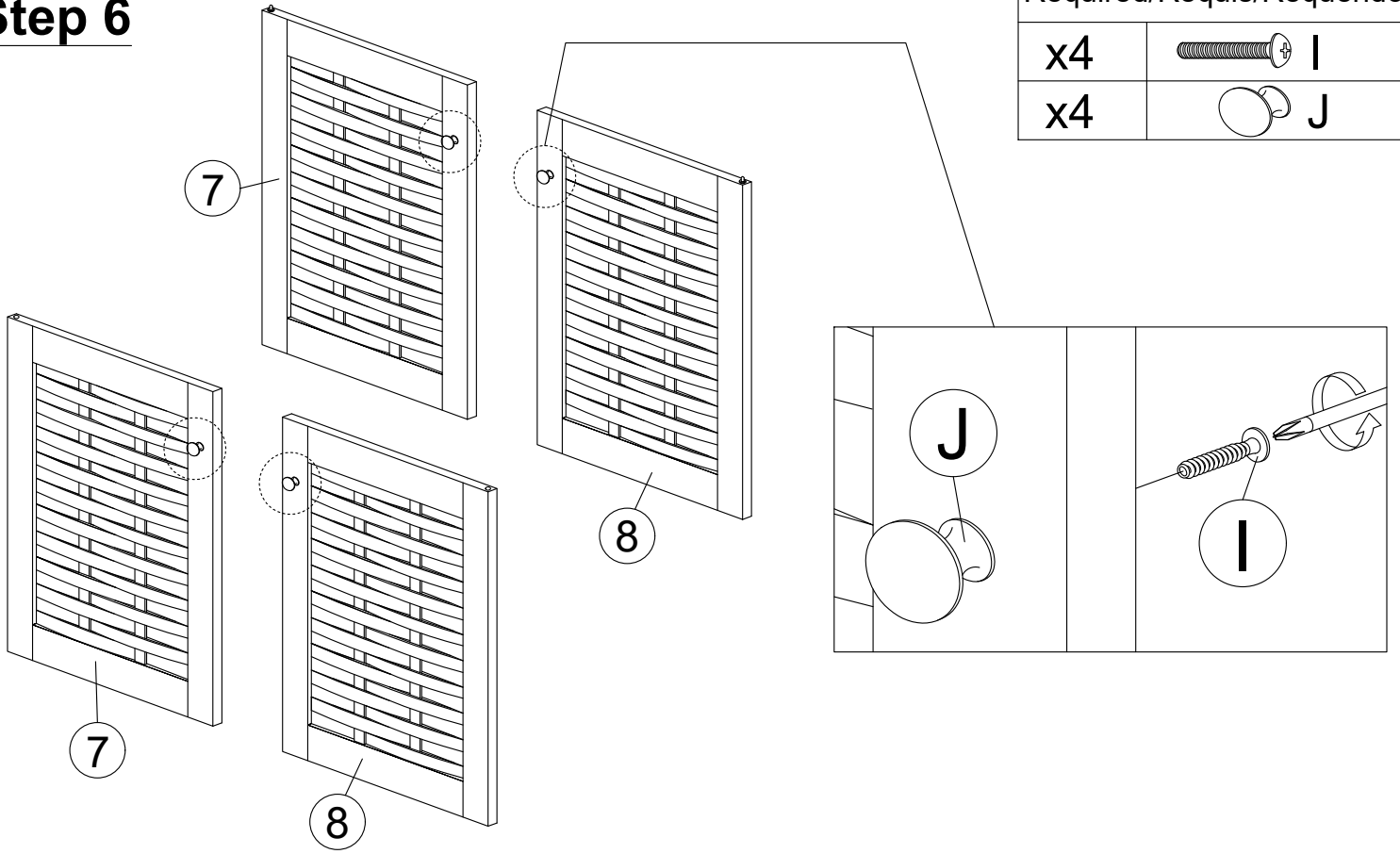
x2

 F

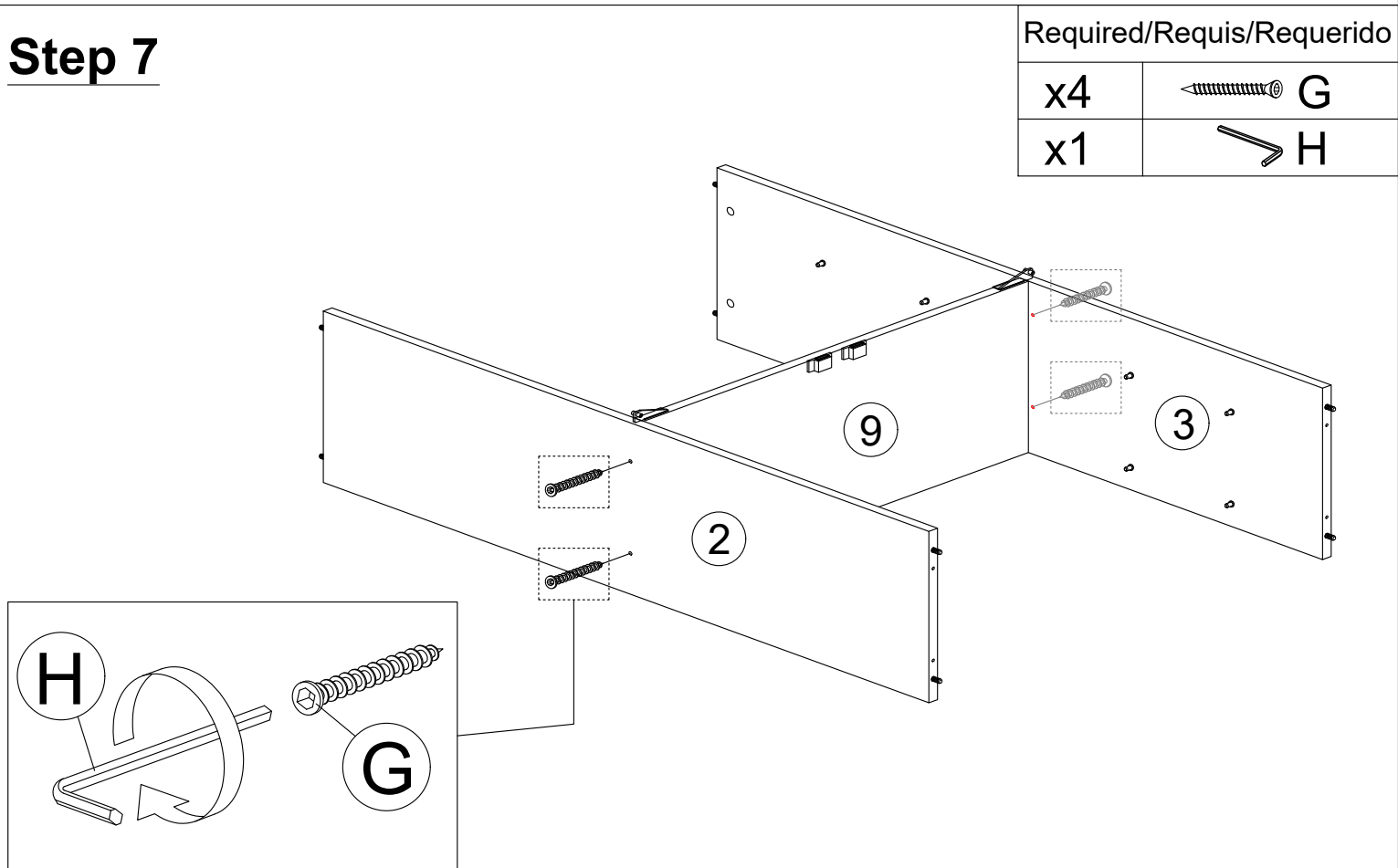


ASSEMBLY INSTRUCTION

Step 6



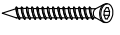
Step 7



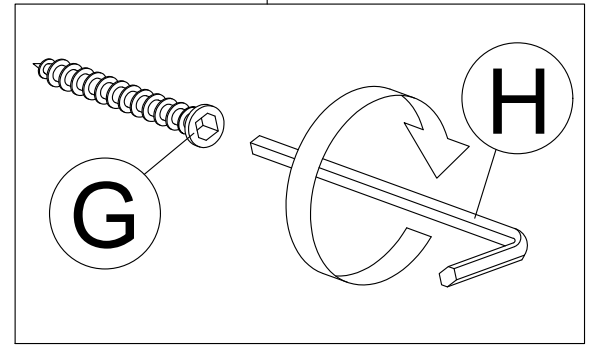
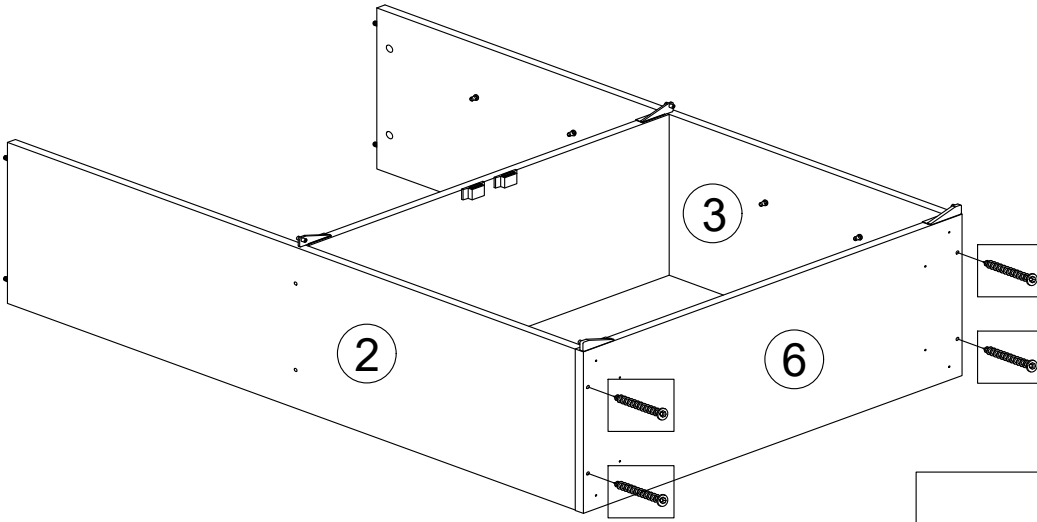
ASSEMBLY INSTRUCTION

Step 8

Required/Requis/Requerido

x4  G

x1  H



Step 9

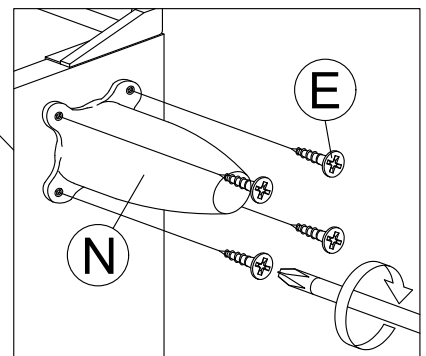
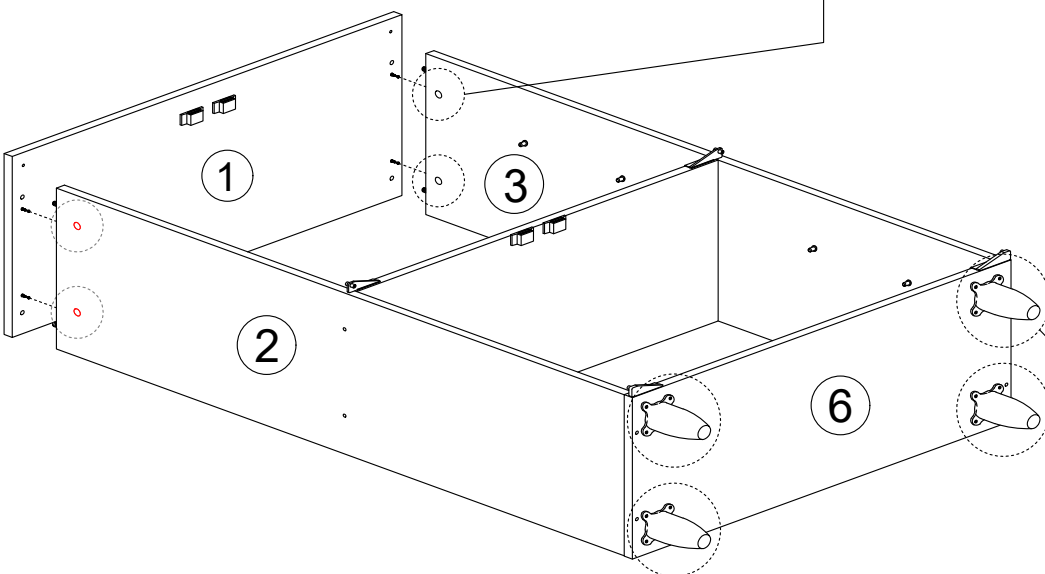
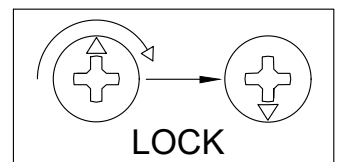
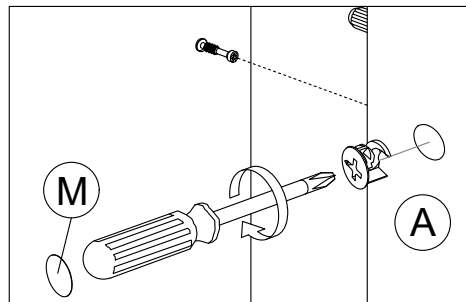
Required/Requis/Requerido

x4  A

x4  M

x16  E

x4  N

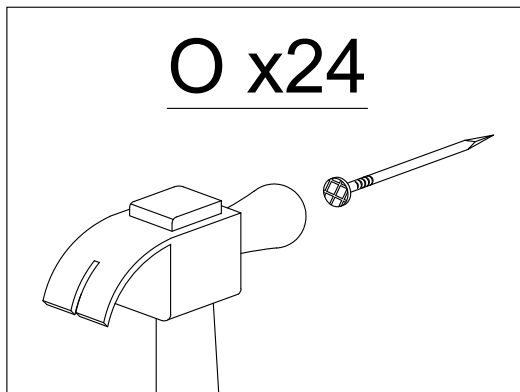
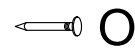


ASSEMBLY INSTRUCTION

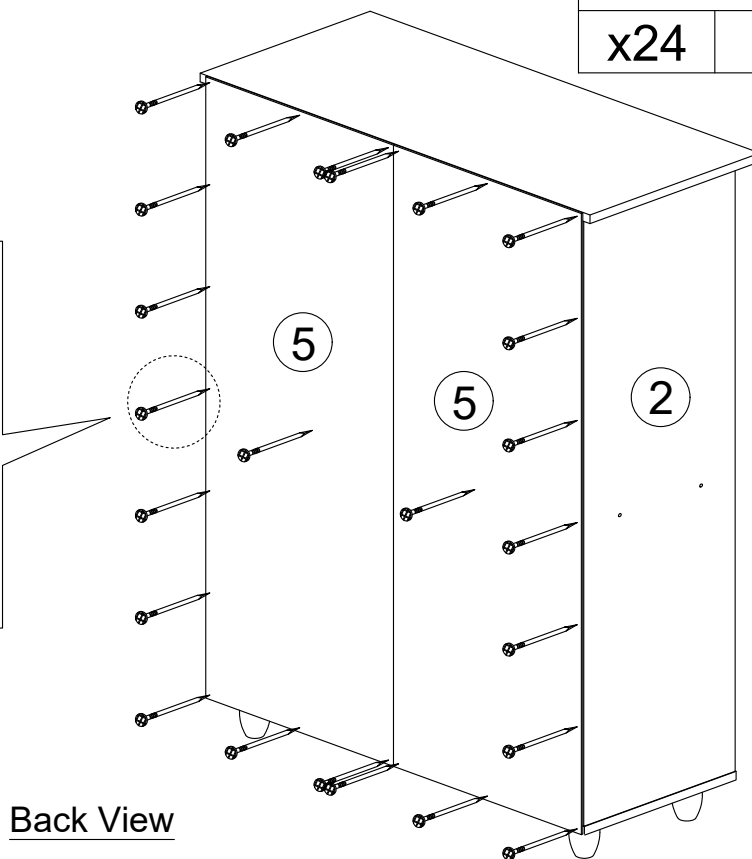
Step 10

Required/Requis/Requerido

x24

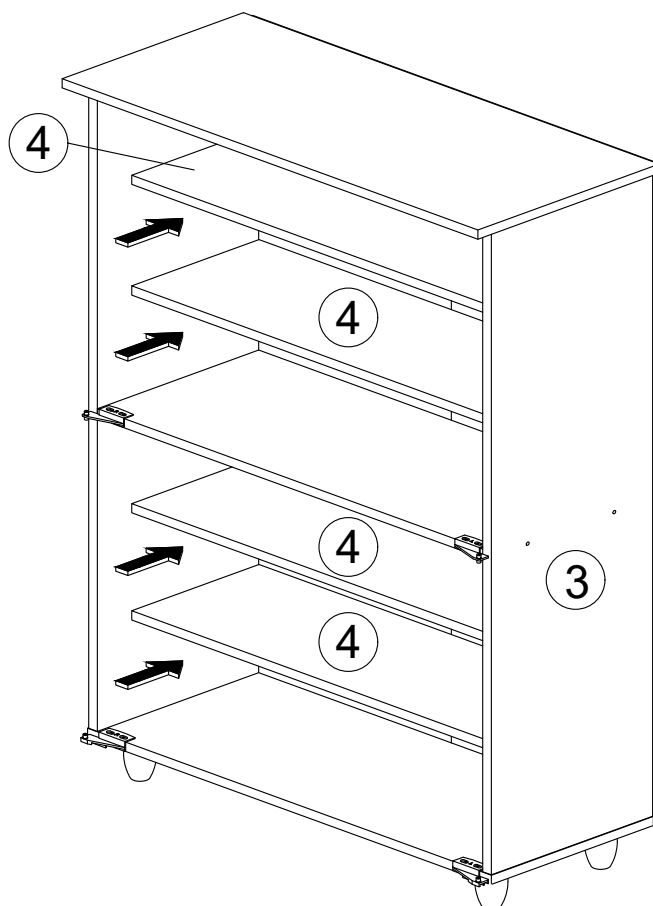


O x24



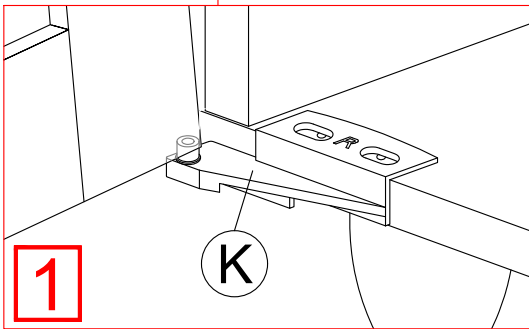
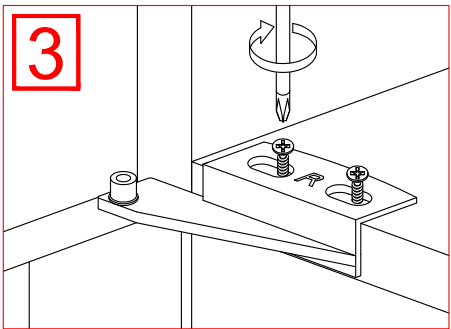
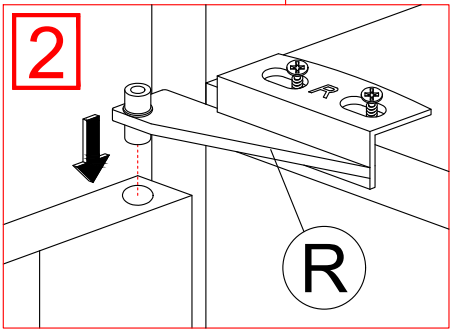
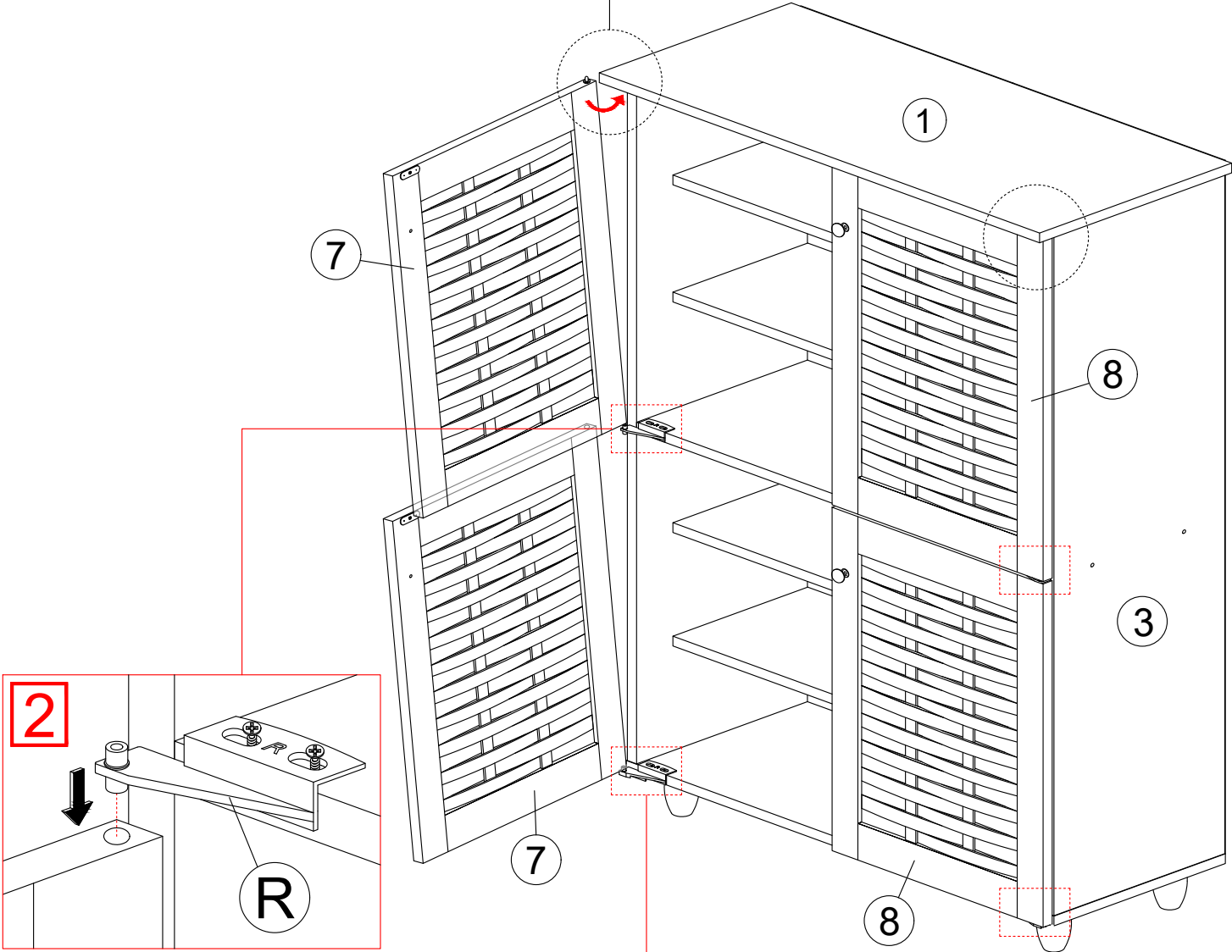
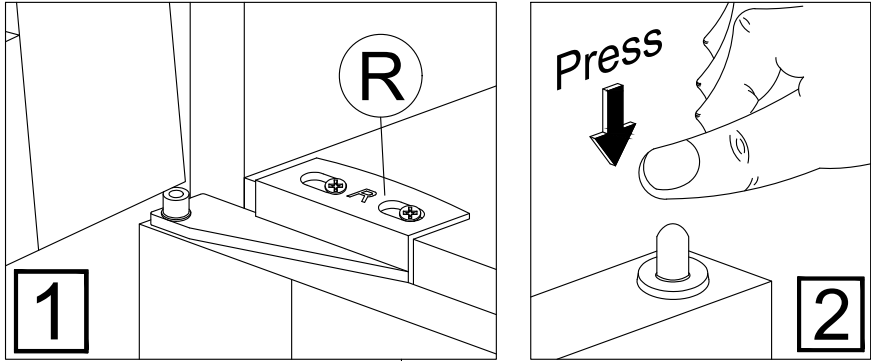
Back View

Step 11



ASSEMBLY INSTRUCTION

Step 12



ASSEMBLY INSTRUCTION

Completed

