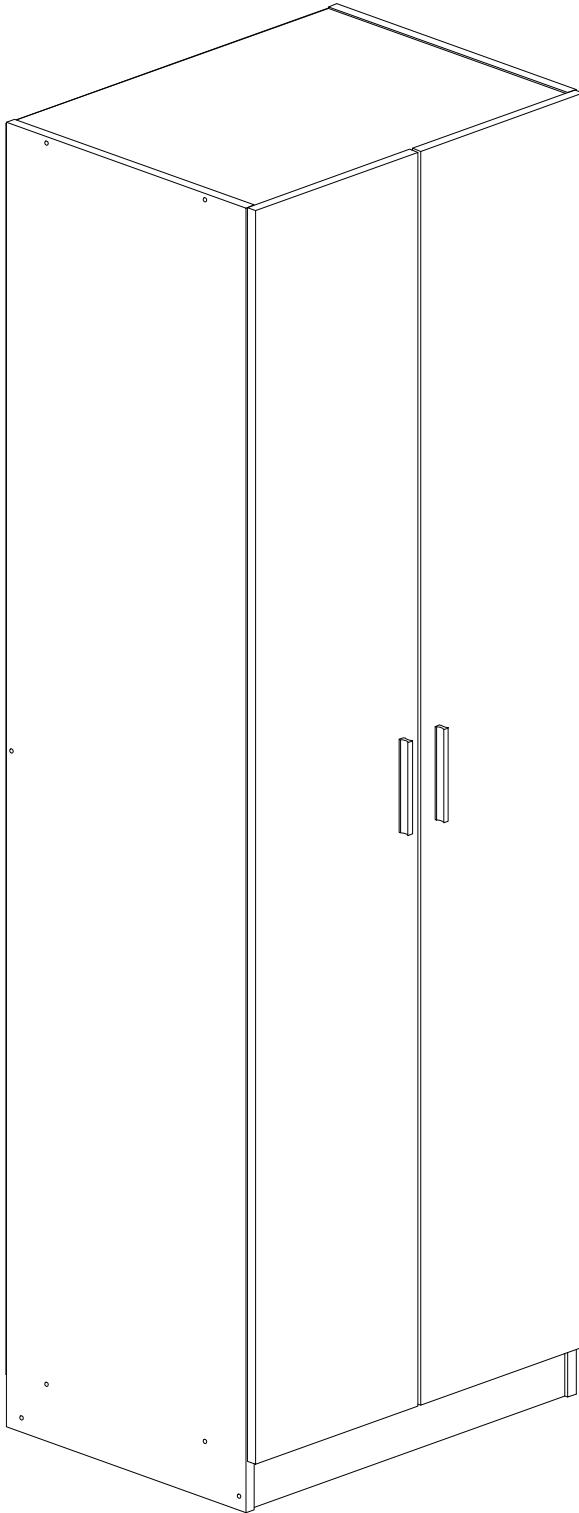



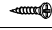
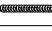





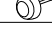

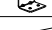


POSSINA

Assembly Instruction

Model : WILSON 2D



Hardware List

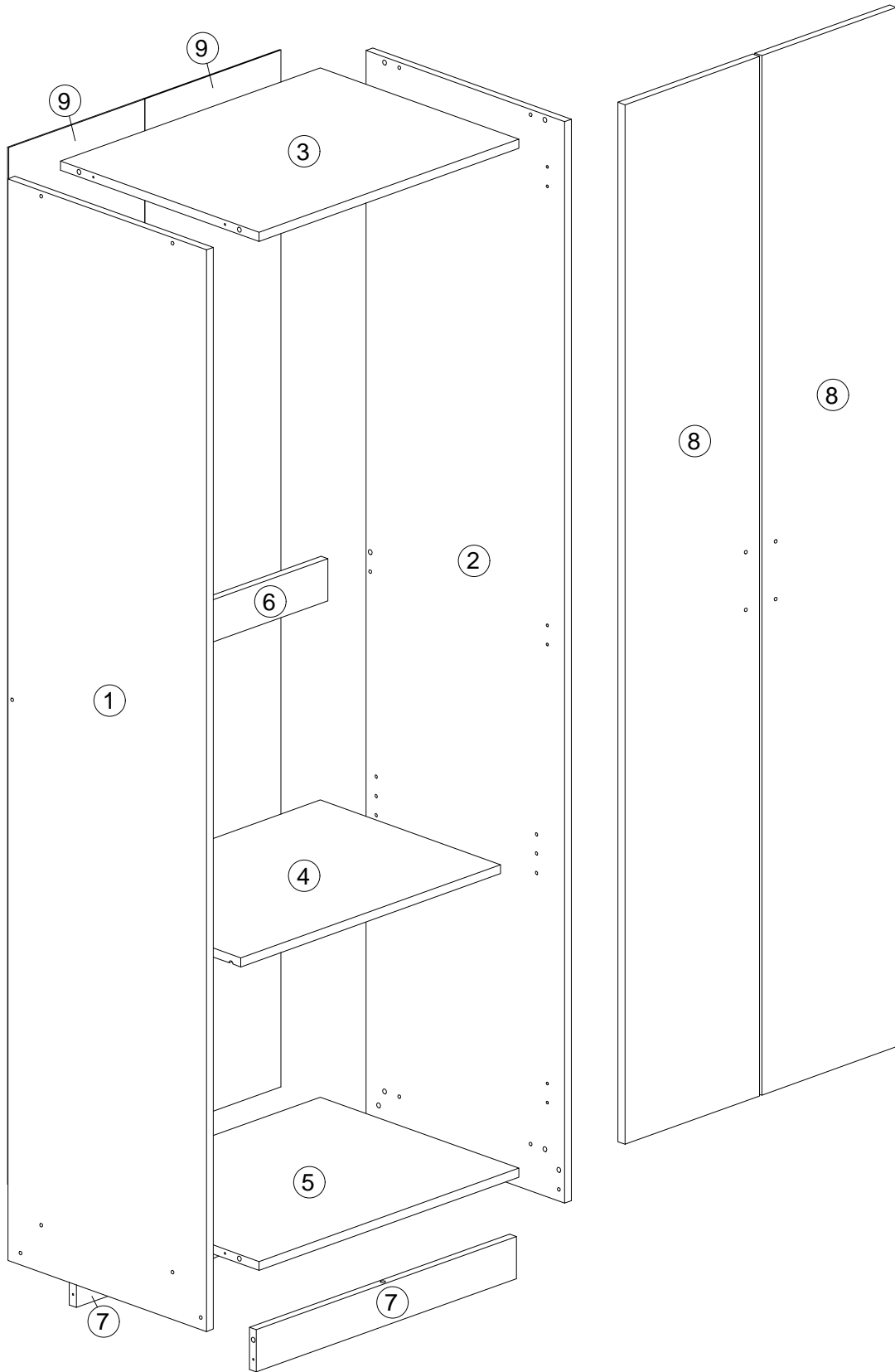
No.	SHAPE	DESCRIPTION	Qty.
A		8x25mm Dowel (Wood)	16Pcs
B		M3.5x16mm Screw	48Pcs
C		M4x45mm Screw	14Pcs
D		Hinges 5/8	6Pcs
E		V Bracket	2Pcs
F		Handle 7050.96	2Pcs
G		M4x25mm Screw	4Pcs
H		Shelf Support	4Pcs
I		5/8 Nail With Pin	4Pcs
J		6/8 Power Pin	30Pcs
K		L Bracket	2Pcs
L		Aluminium Pipe(563mm)	1Pc
M		Sticker	14Pcs

Part List

No.	Descriptions		Qty.
1	Side Left Panel	1795x435x15	1PC
2	Side Right Panel	1795x435x15	1PC
3	Top Panel	435x570x15	1PC
4	Adjust Panel	395x570x15	1PC
5	Bottom Panel	435x570x15	1PC
6	Back Rail	570x70x15	1PC
7	Leg Panel	570x70x15	2PCS
8	Door Left Right	1725x295x15	2PCS
9	Back Panel	1721x298.5x2.5	2PCS

Assembly Instruction

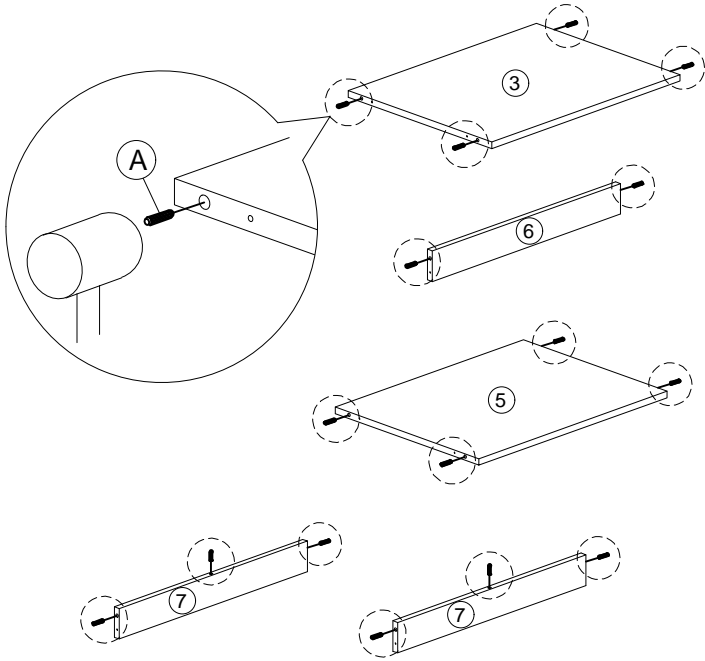
Part List



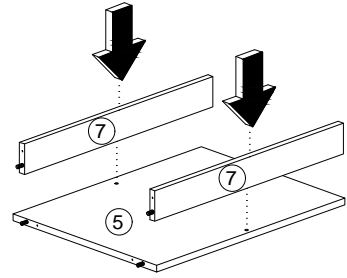
Assembly Instruction

Step 1

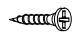
A		8x25mm Dowel (Wood)	16Pcs
---	---	---------------------	-------



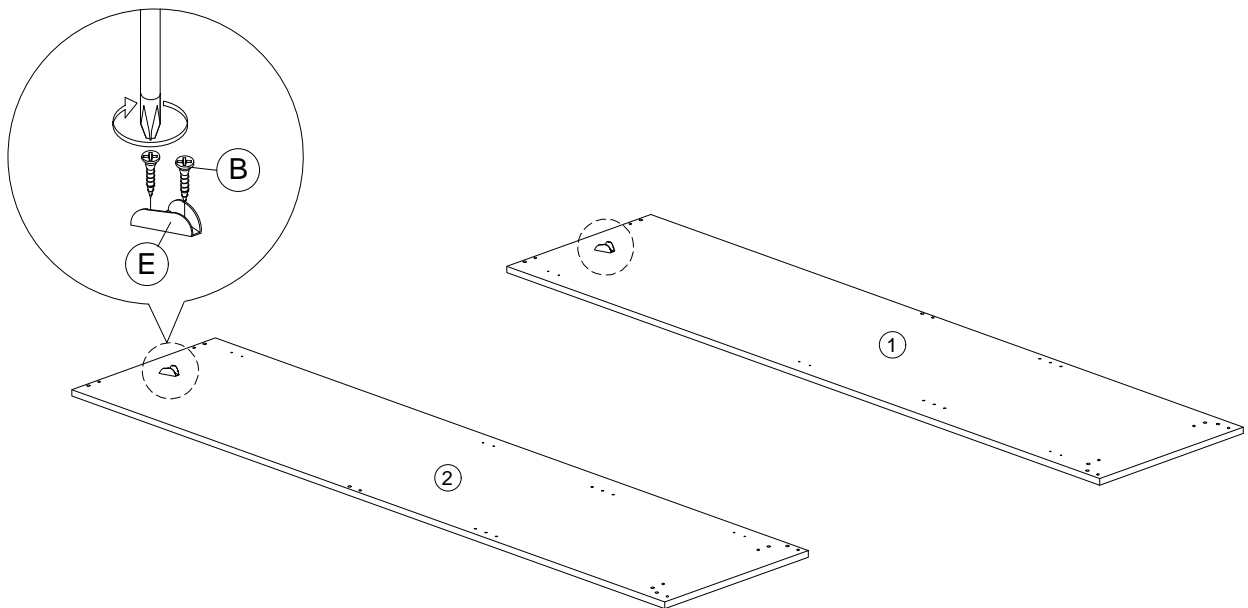
Step 2



Step 3


B		M3.5x16mm Screw	4Pcs
---	---	-----------------	------


E		V Bracket	2Pcs
---	---	-----------	------

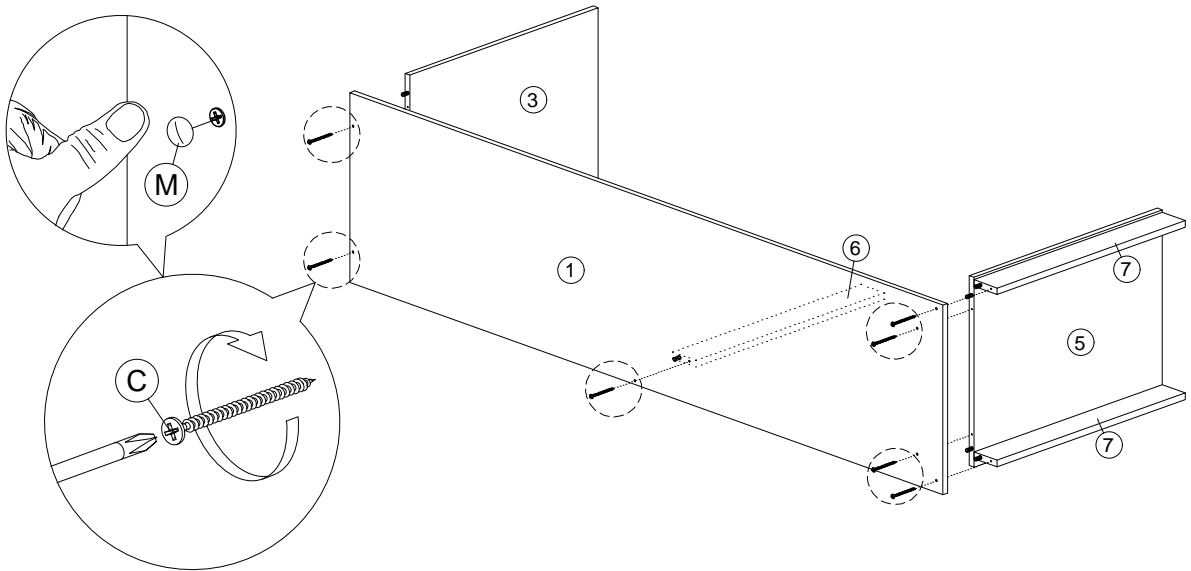


Assembly Instruction


Step 4


C		M4x45mm Screw	7Pcs
---	---	---------------	------

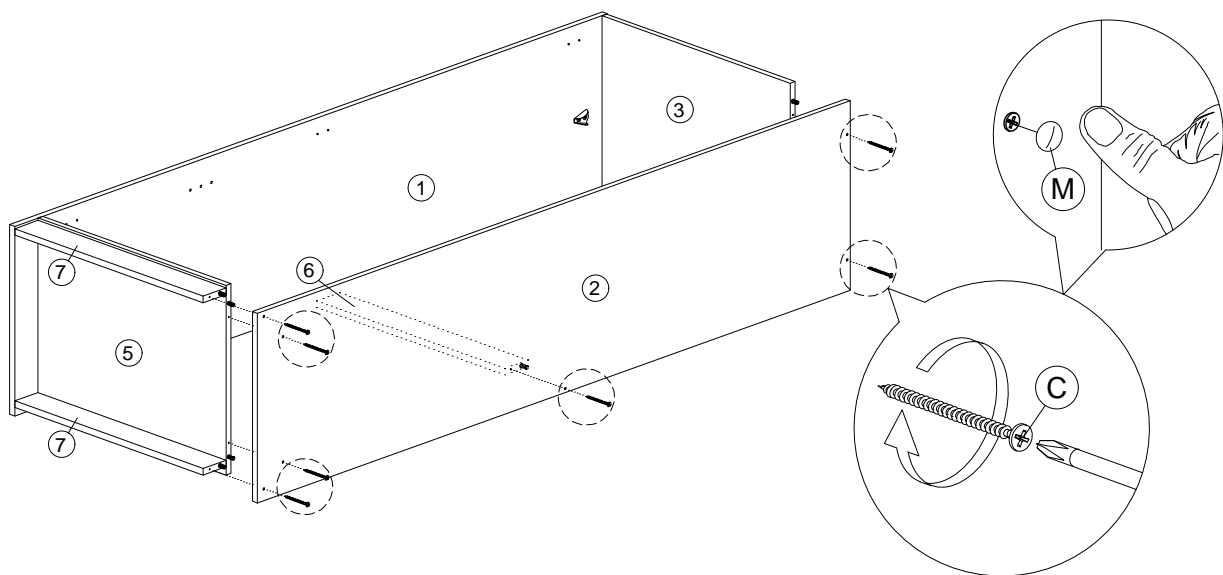
M		Sticker	7Pcs
---	---	---------	------



Step 5

C		M4x45mm Screw	7Pcs
---	---	---------------	------

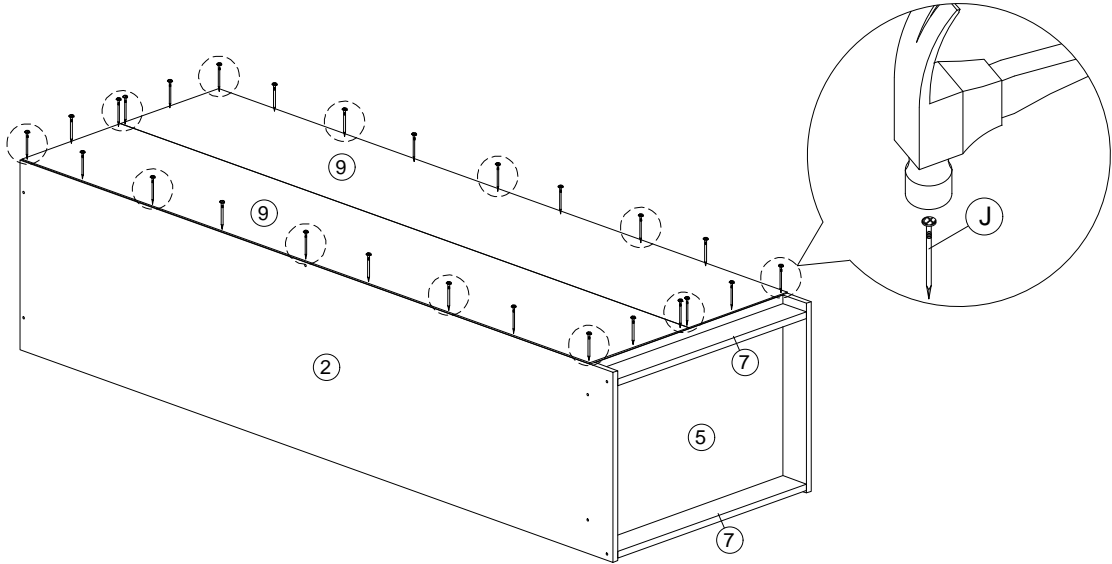
M		Sticker	7Pcs
---	---	---------	------



Assembly Instruction

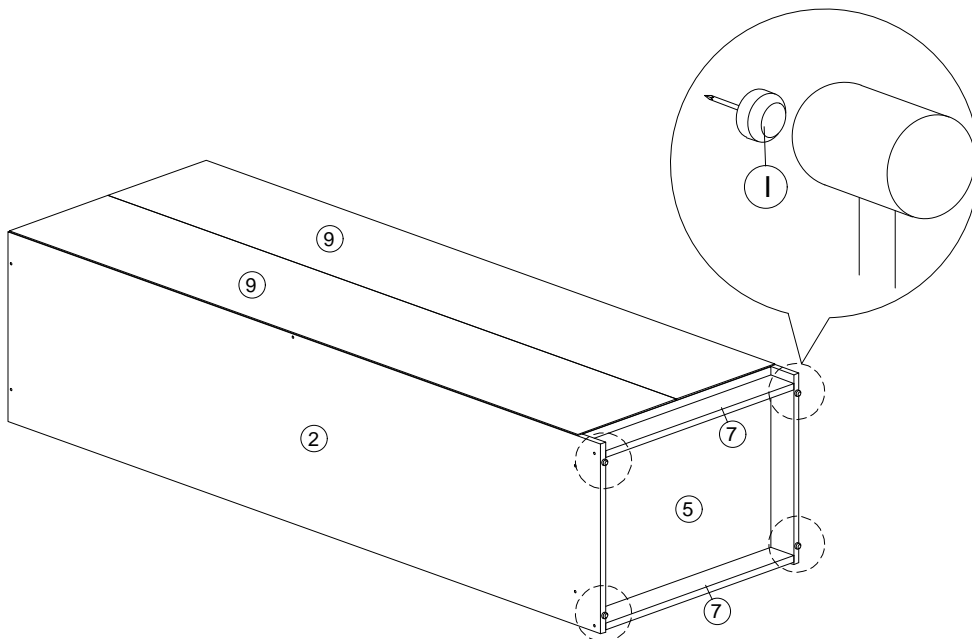
Step 6

J		6/8 Power Pin	30Pcs
---	---	---------------	-------



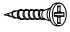
Step 7

I		5/8 Nail With Pin	4Pcs
---	---	-------------------	------

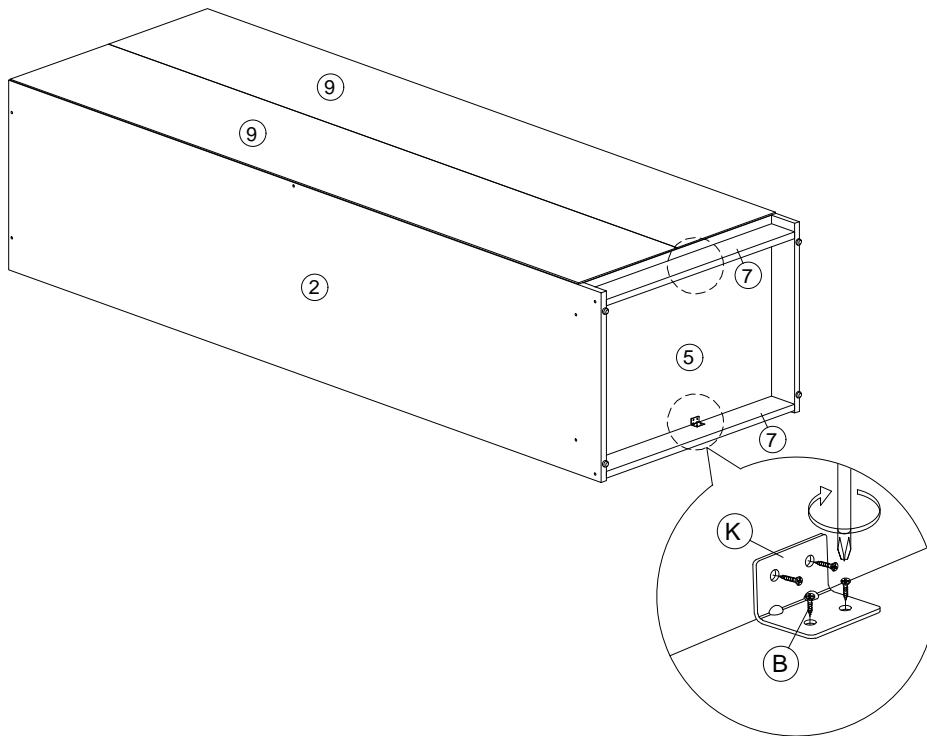


Assembly Instruction

Step 8

B		M3.5x16mm Screw	8Pcs
---	---	-----------------	------

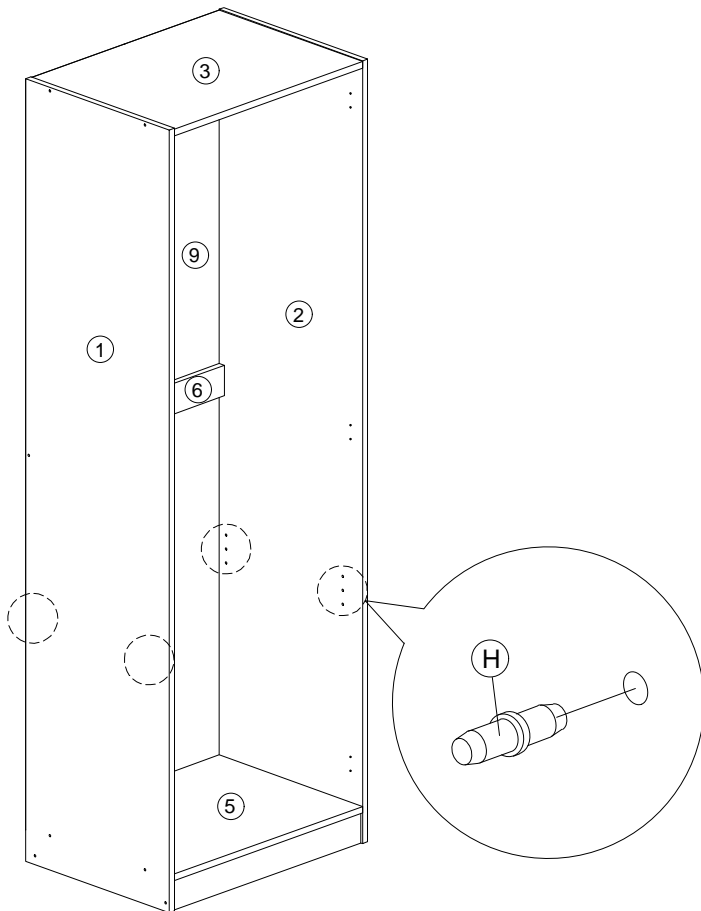
K		L Bracket	2Pcs
---	---	-----------	------



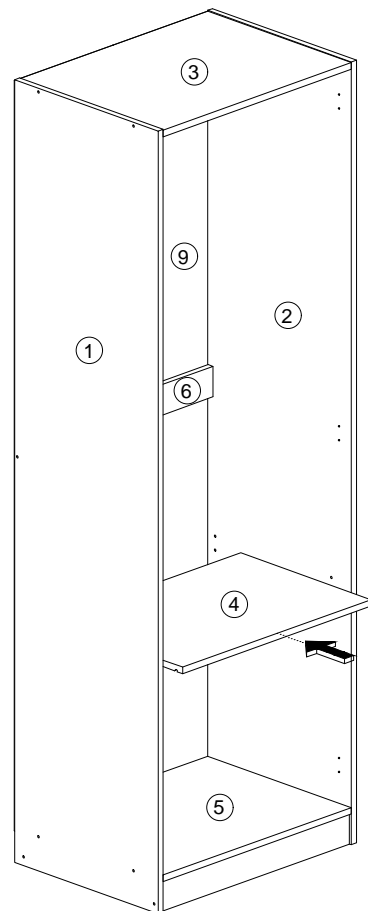
Assembly Instruction

Step 9

H		Shelf Support	4Pcs
---	---	---------------	------




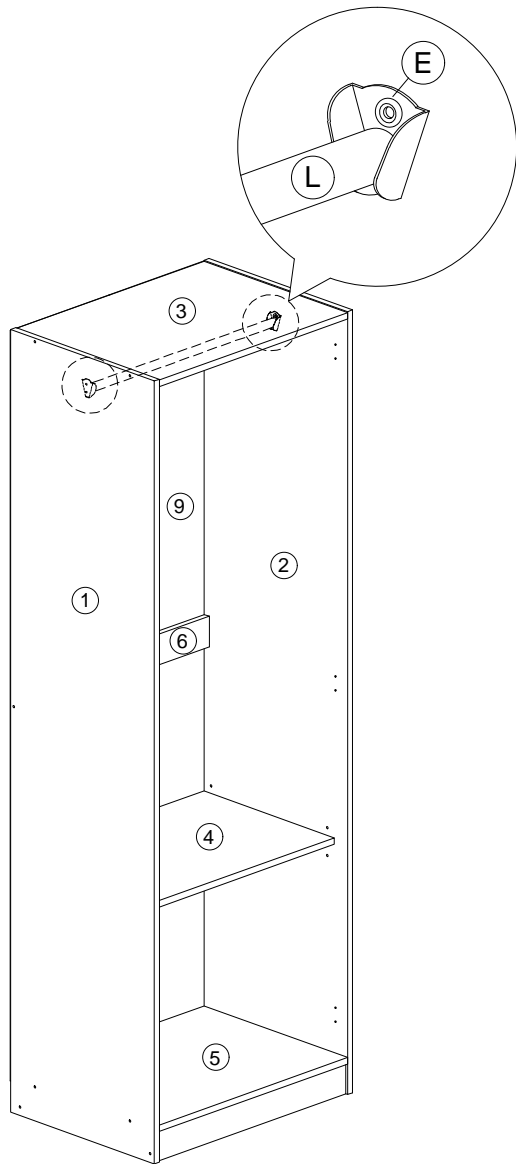
Step 10



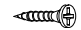

Assembly Instruction

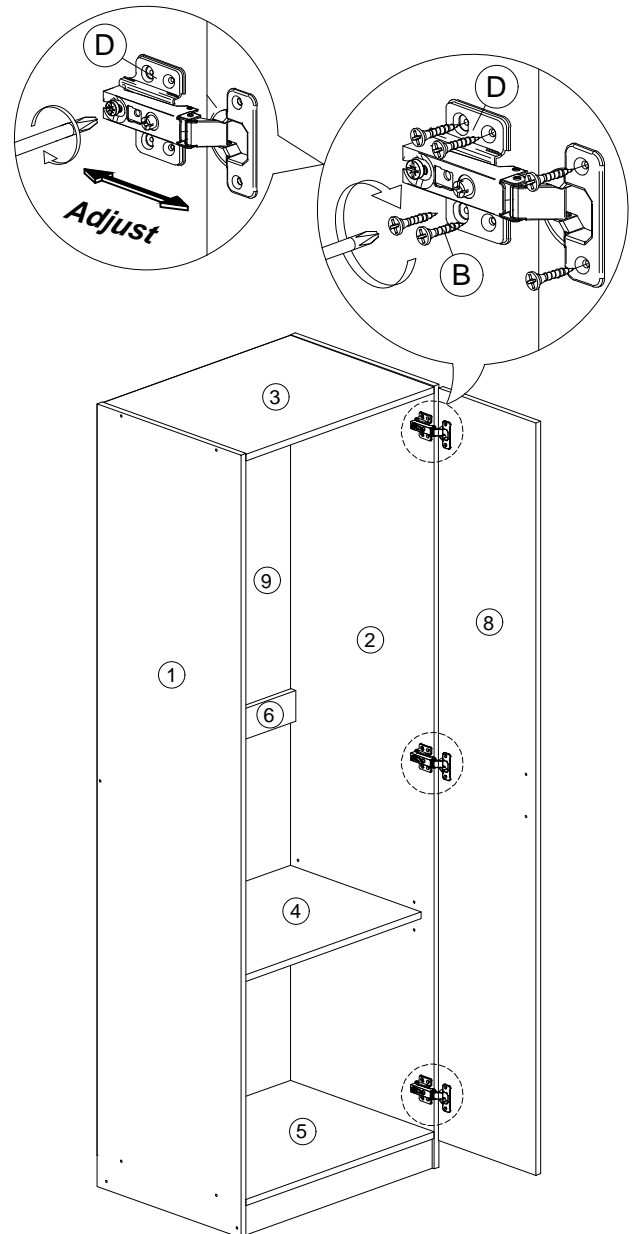
Step 11

L		Aluminium Pipe 563mm	1Pc
---	---	----------------------	-----



Step 12


B		M3.5x16mm Screw	18Pcs
D		Hinges 5/8	3Pcs

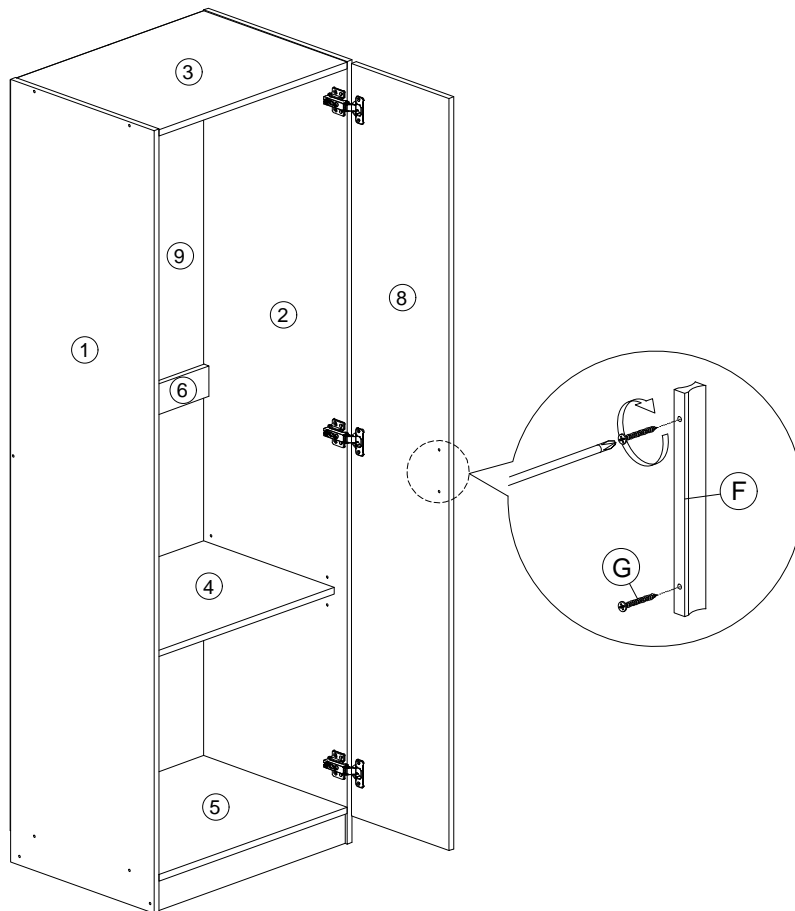


Assembly Instruction

Step 13

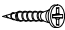
F		Handle 7050.96	1Pc
---	---	----------------	-----

G		M4x25mm Screw	2Pcs
---	---	---------------	------

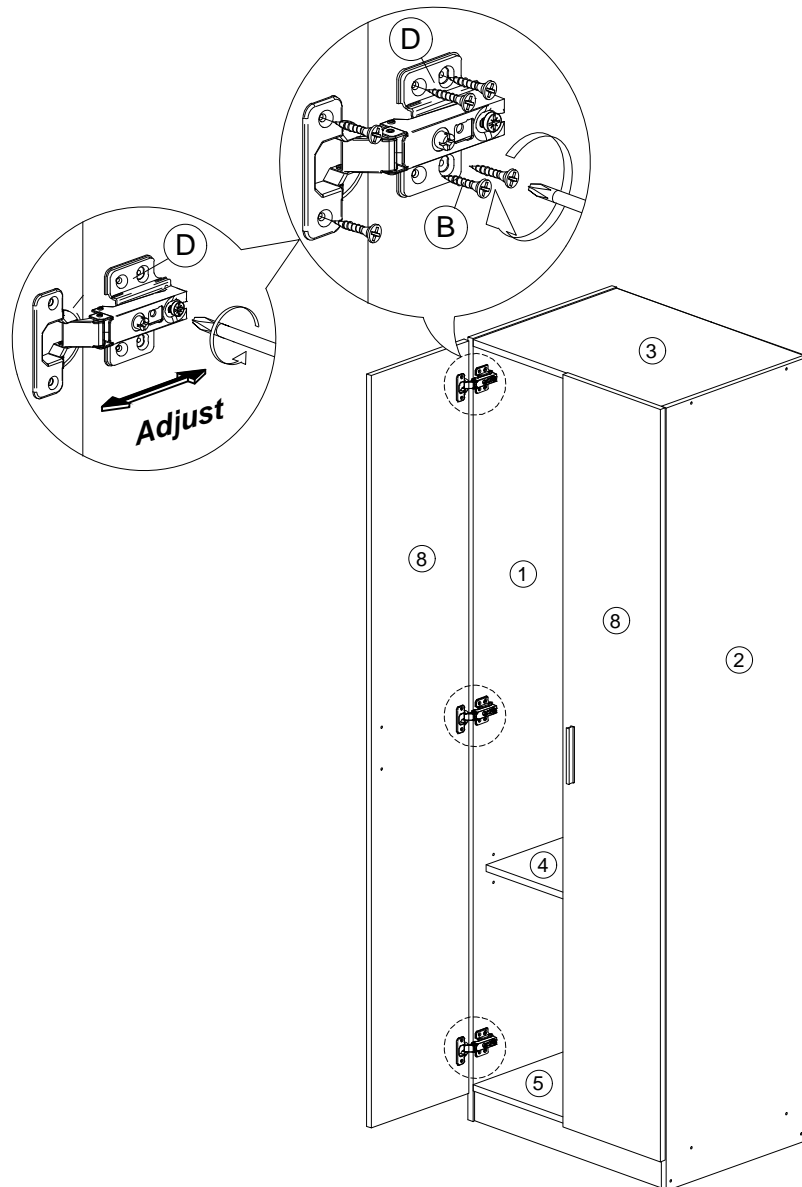


Assembly Instruction

Step 14


B		M3.5x16mm Screw	18Pcs
---	---	-----------------	-------

D		Hinges 5/8	3Pcs
---	---	------------	------



Assembly Instruction

Step 15

F		Handle 7050.96	1Pc
---	---	----------------	-----

G		M4x25mm Screw	2Pcs
---	---	---------------	------

