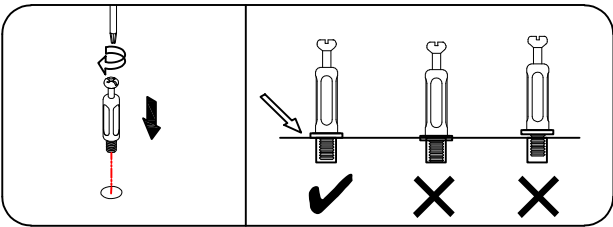
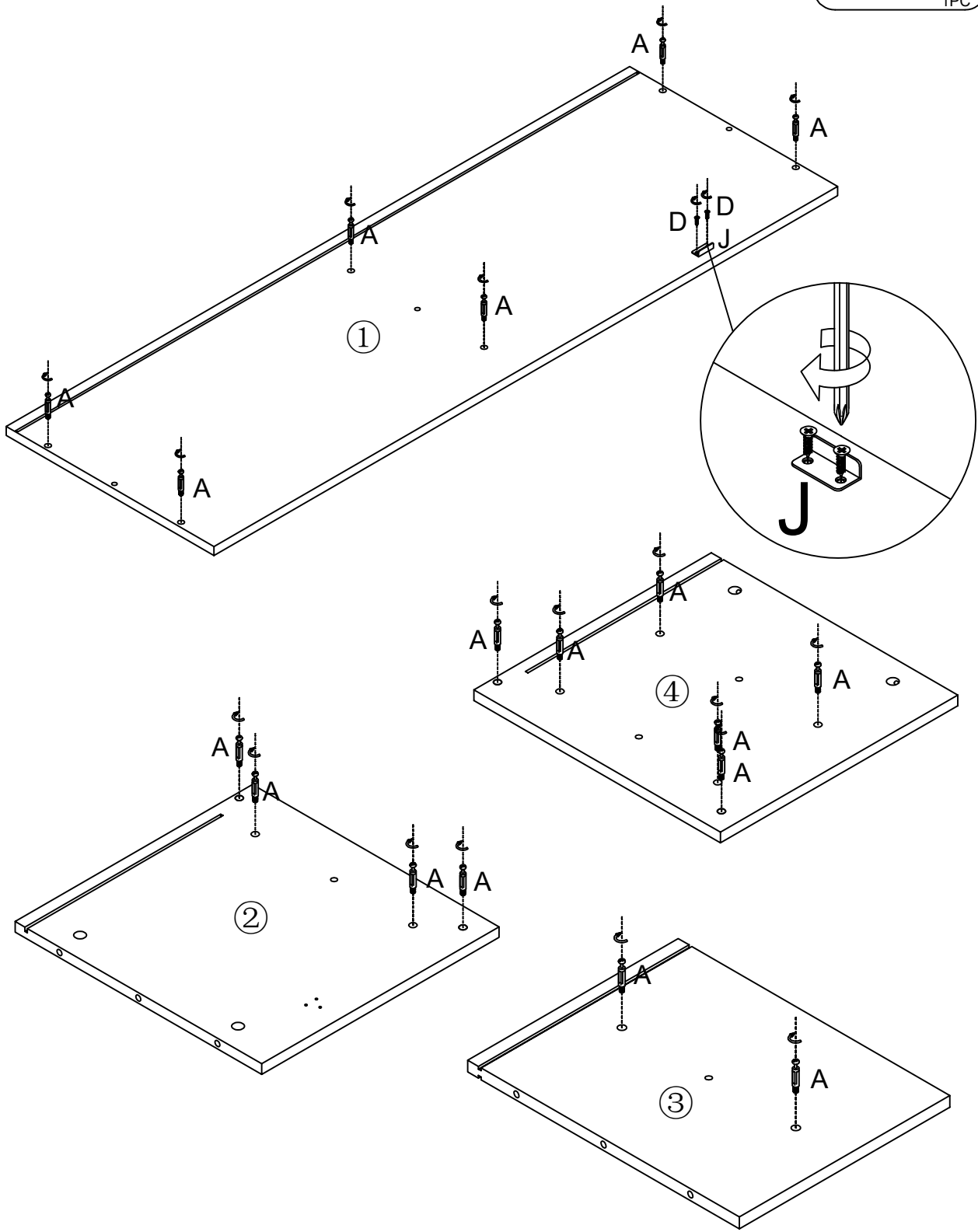
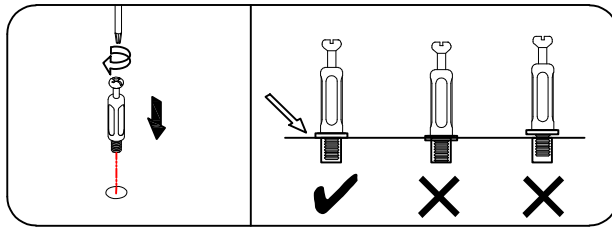






STEP 1

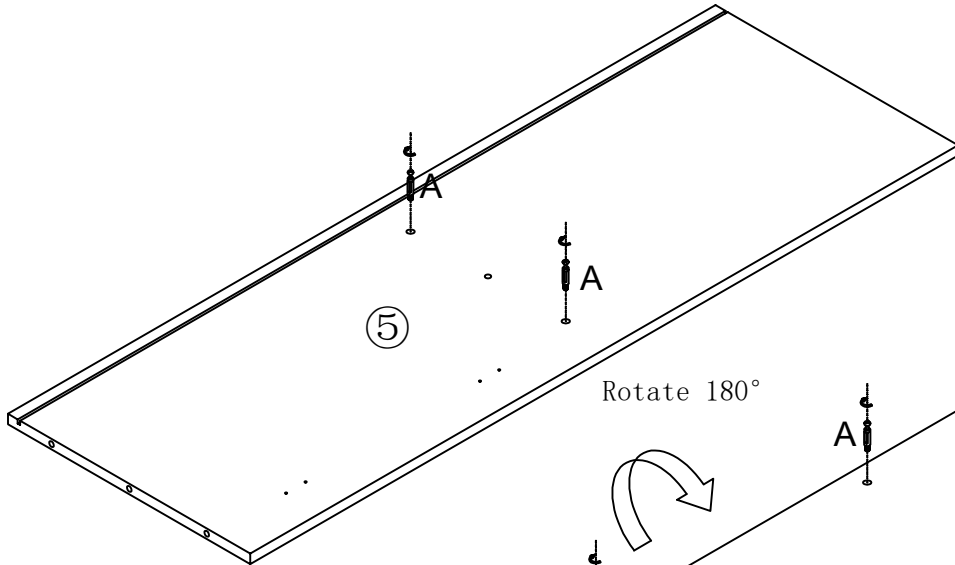


- A**
18PCS
3.5*14
- D**
2PCS
- J**
1PC

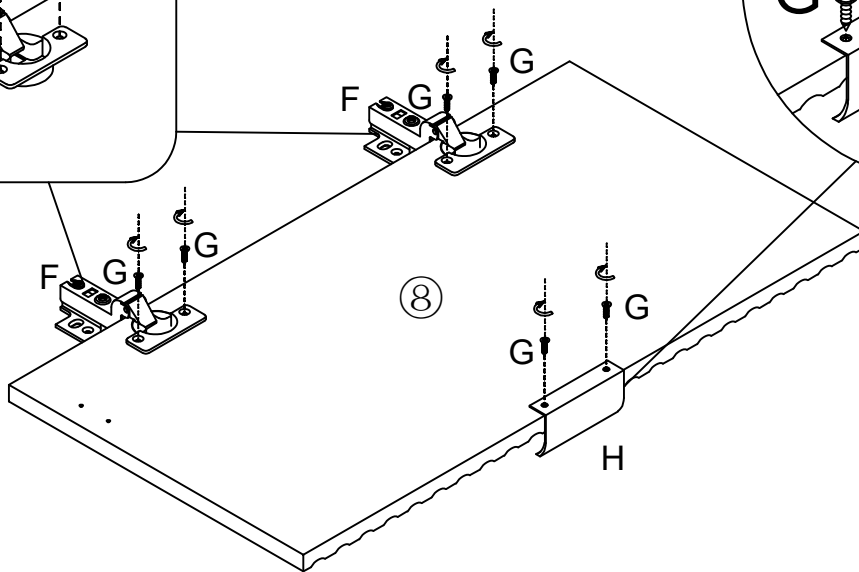
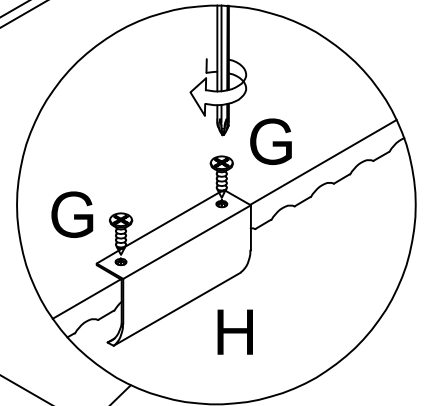
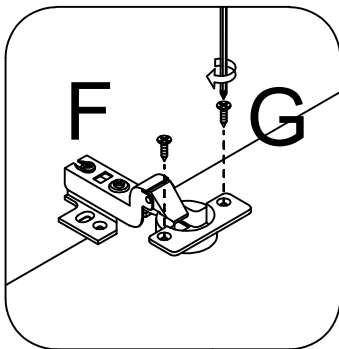
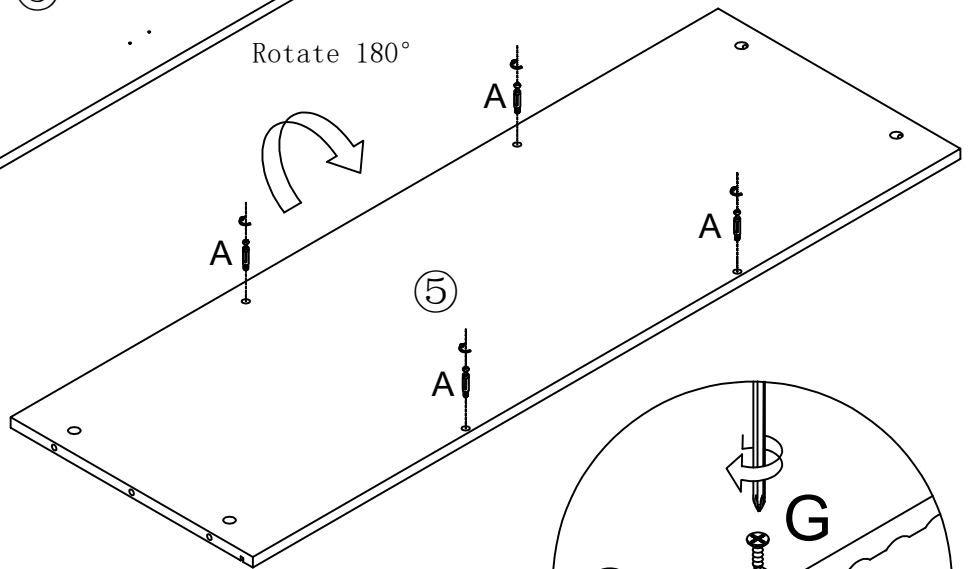




- A**  6PCS
- F**  2PCS
- G**  3.5*12
6PCS
- H**  1PC

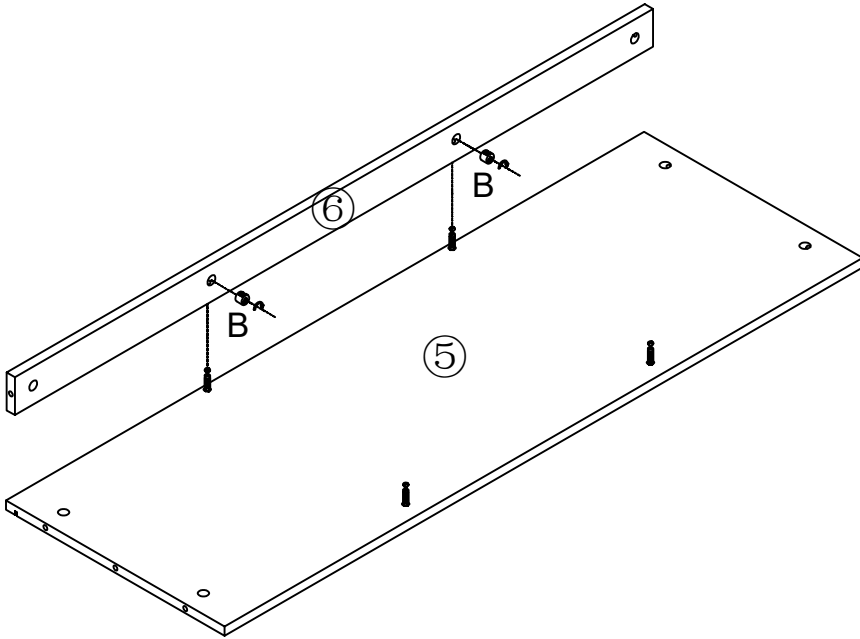
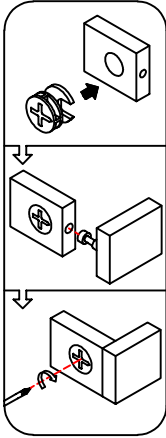


Rotate 180°



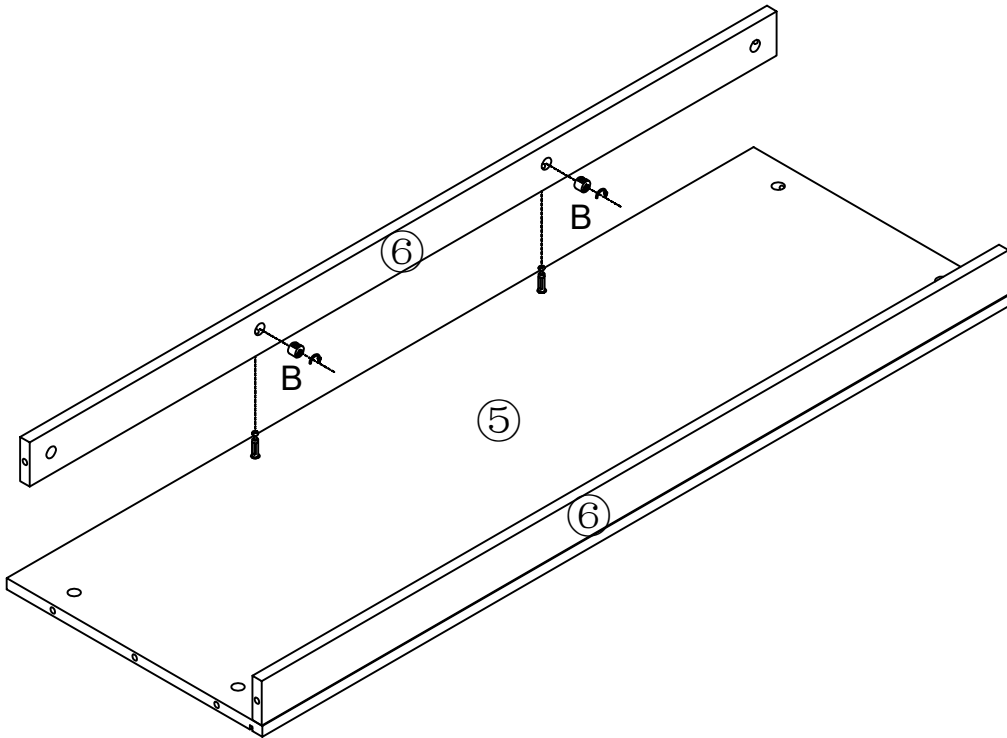
STEP 2

B  2PCS

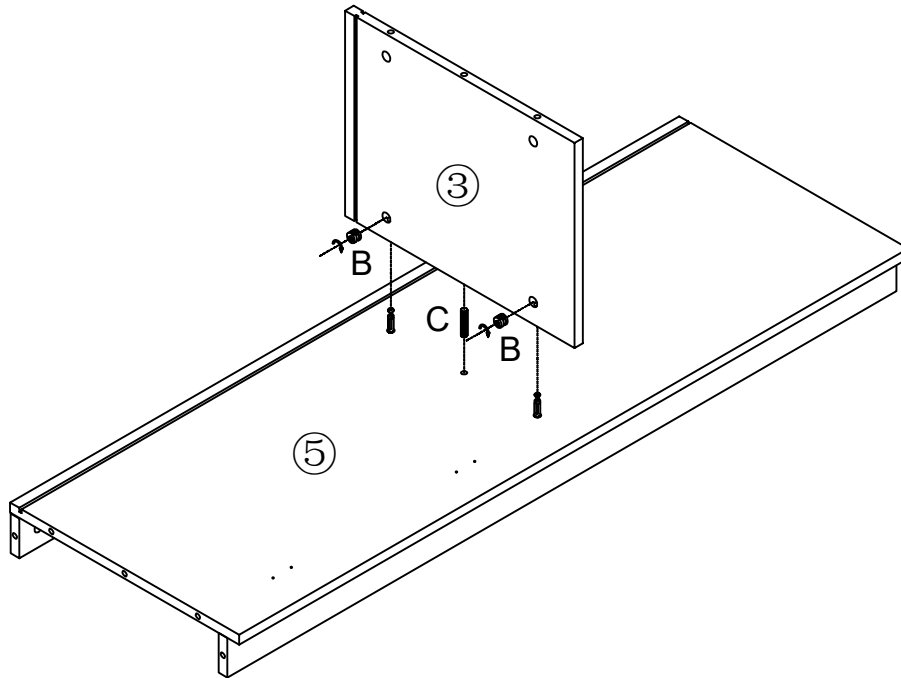
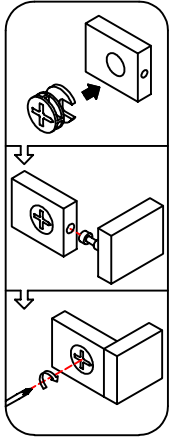
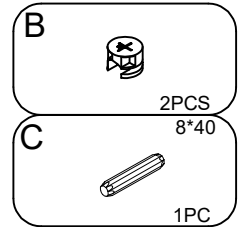
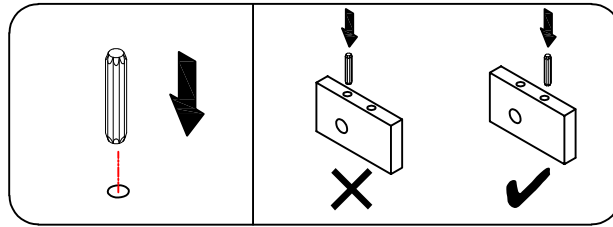


STEP 3

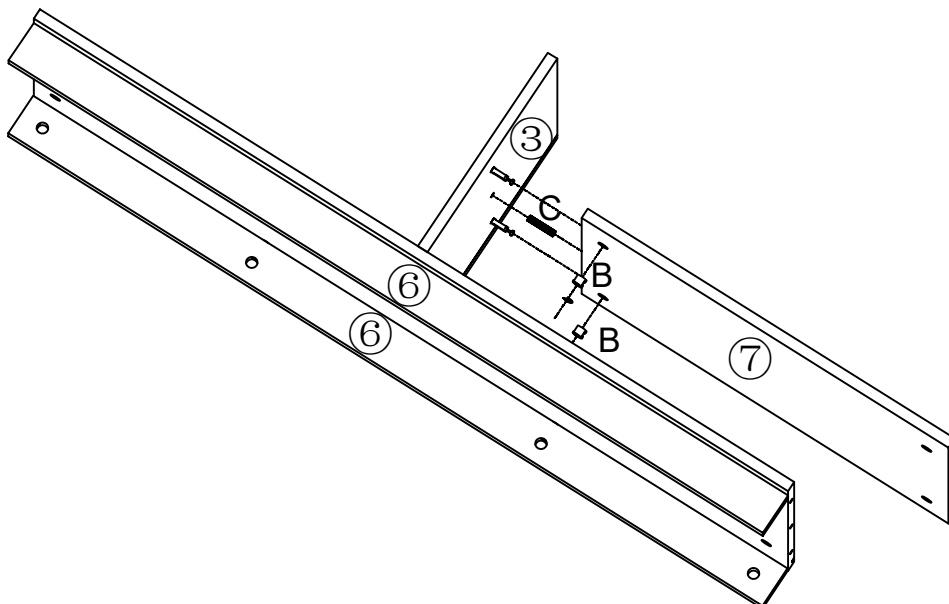
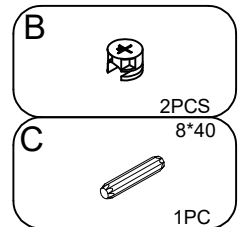
B  2PCS



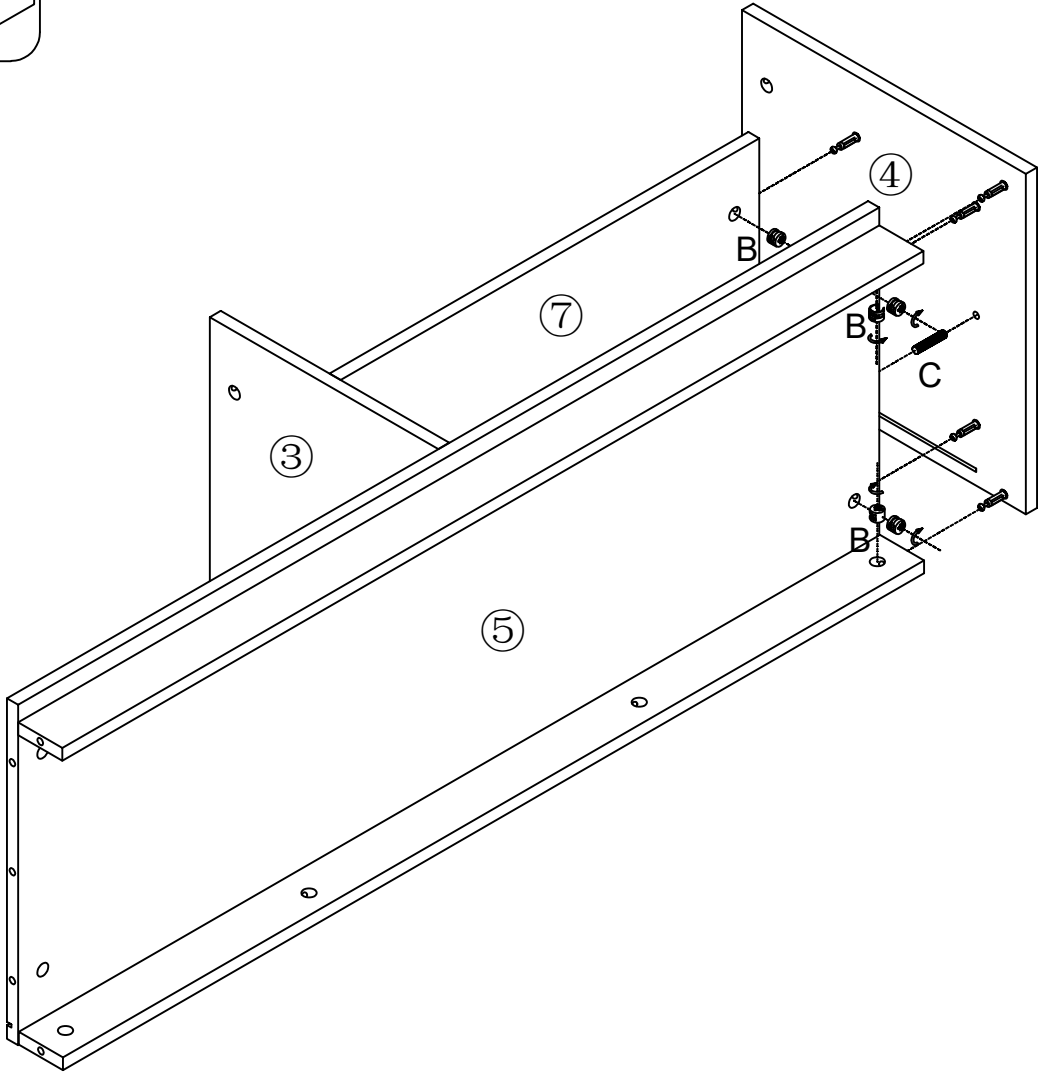
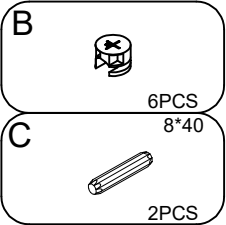
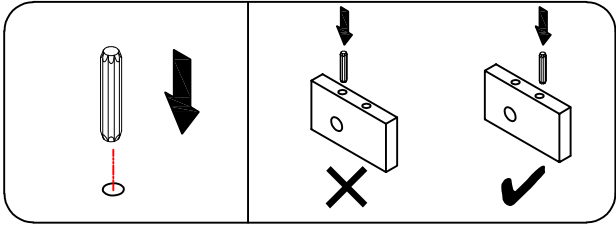
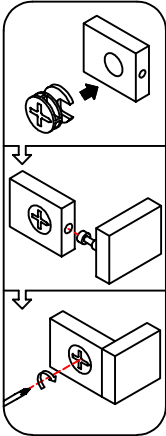
STEP 4



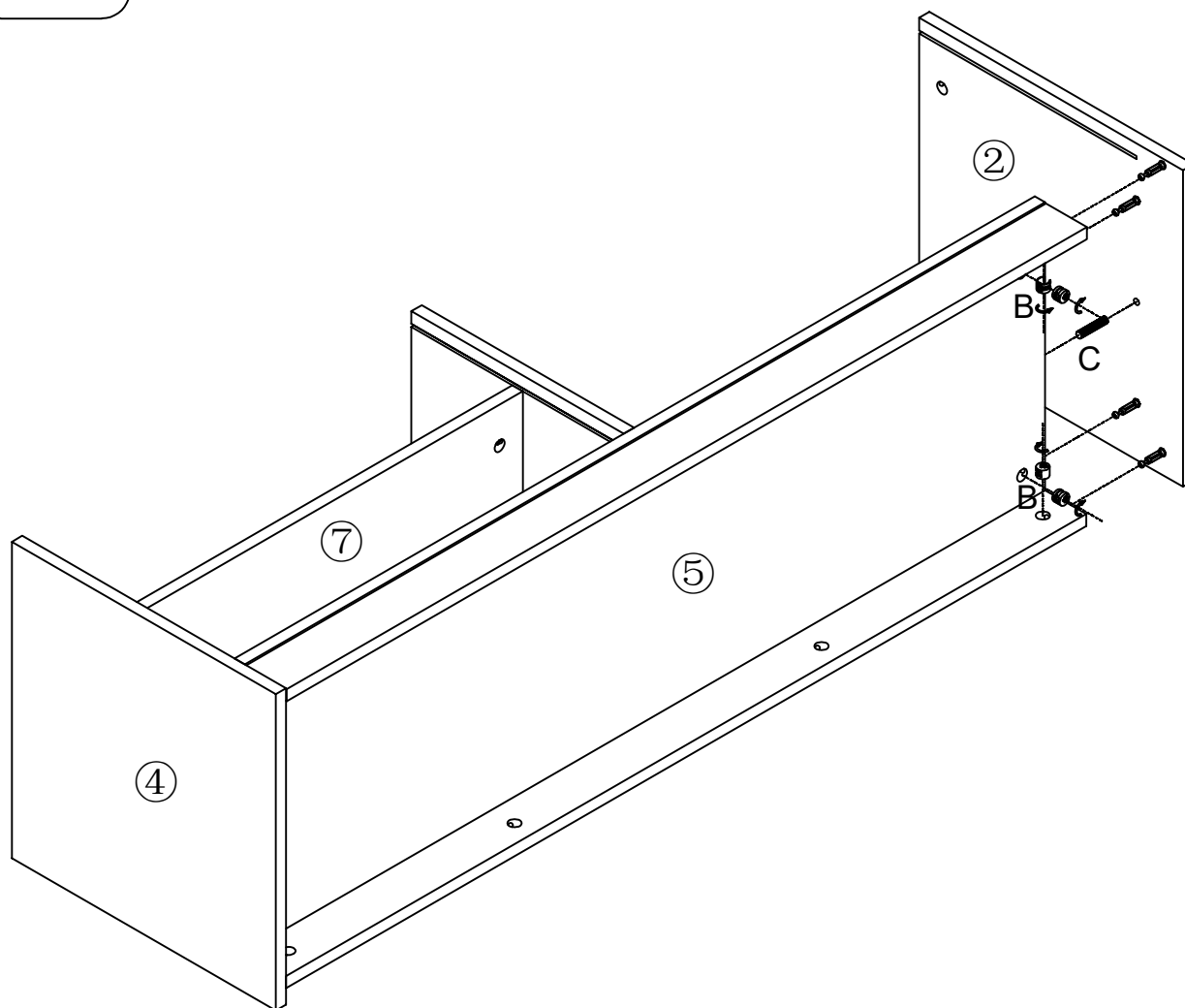
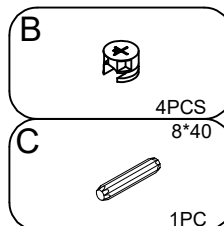
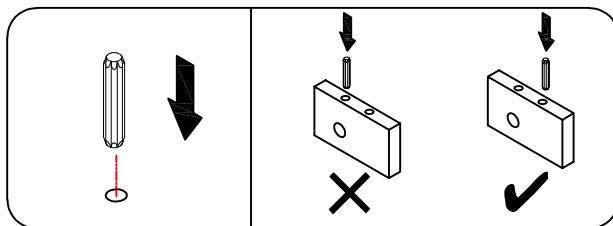
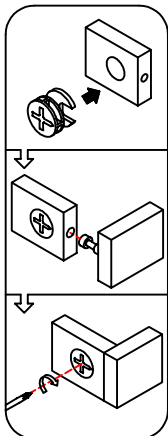
STEP 5



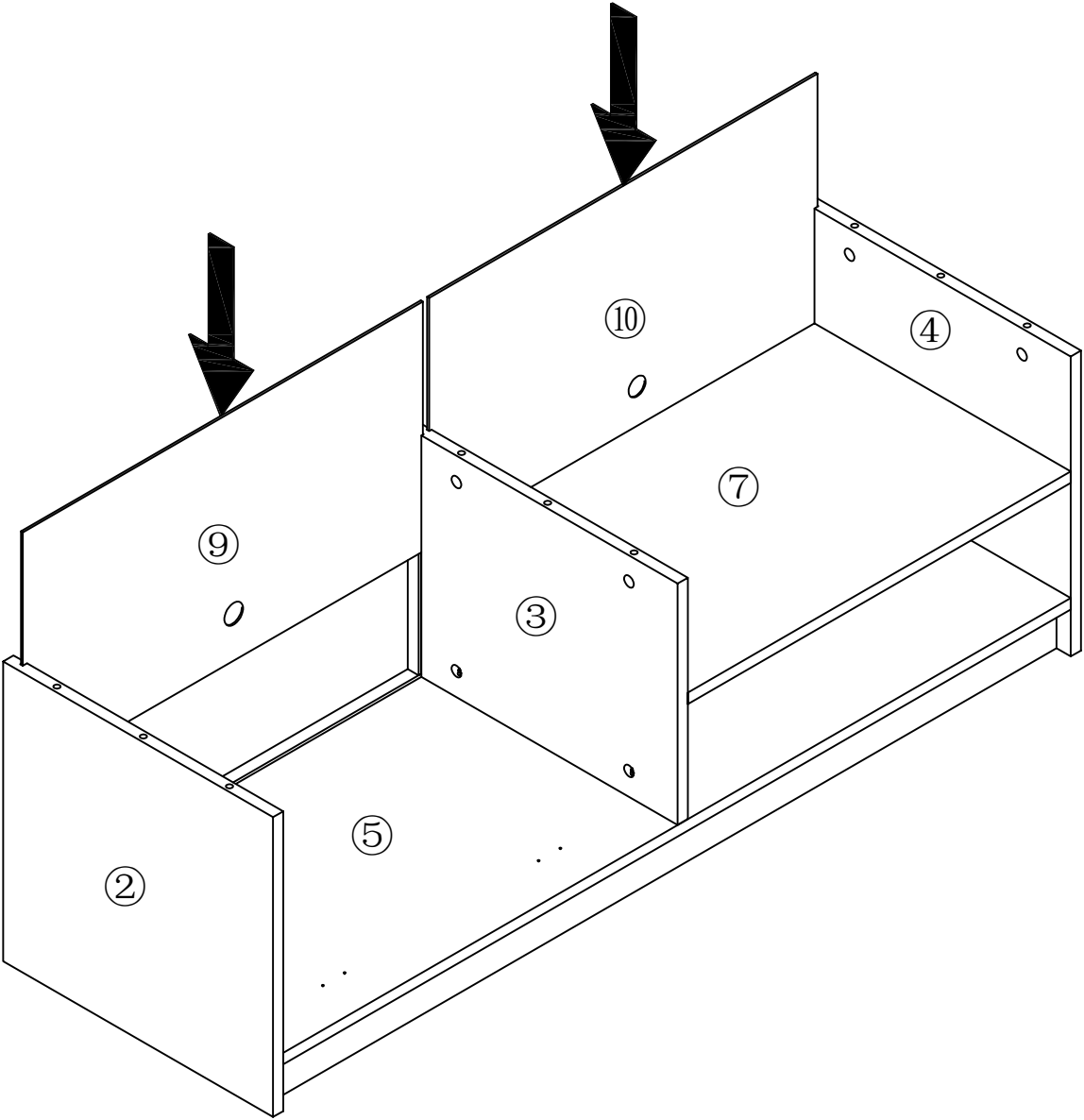
STEP 6



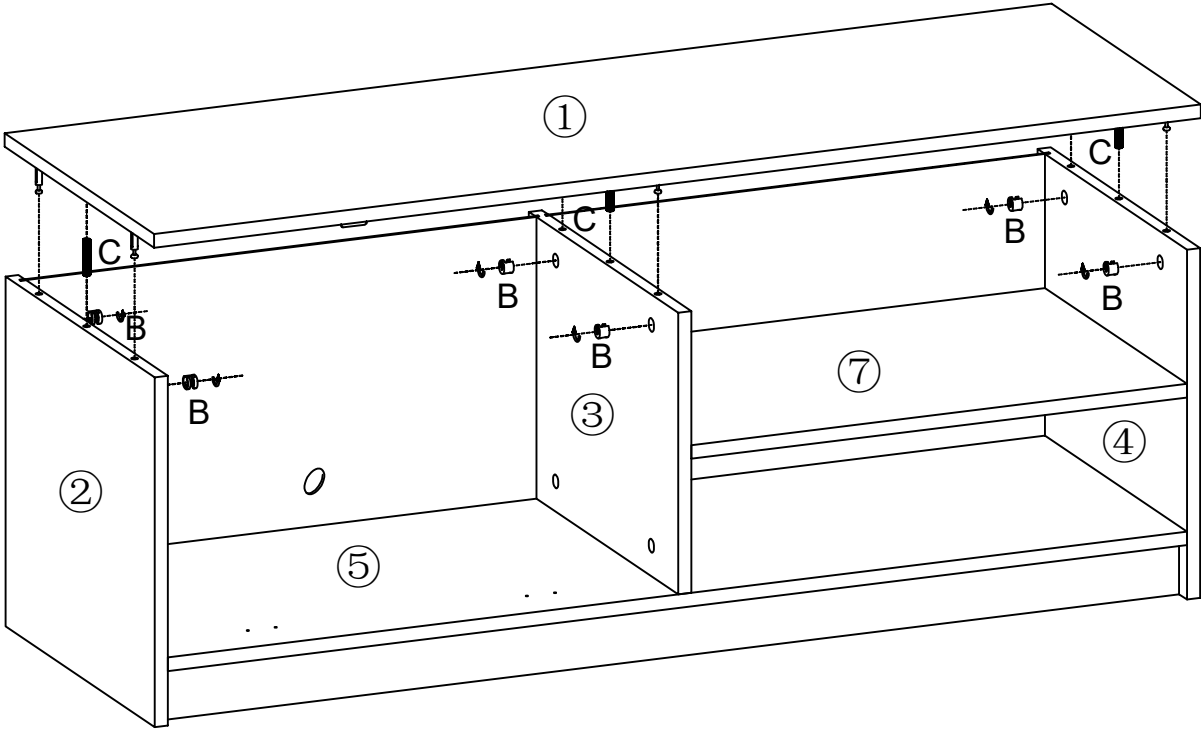
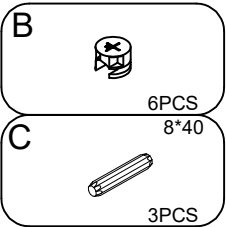
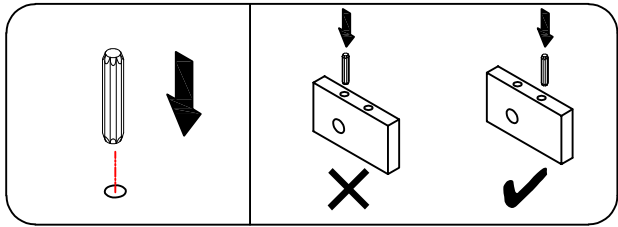
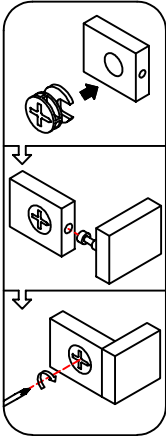
STEP 7



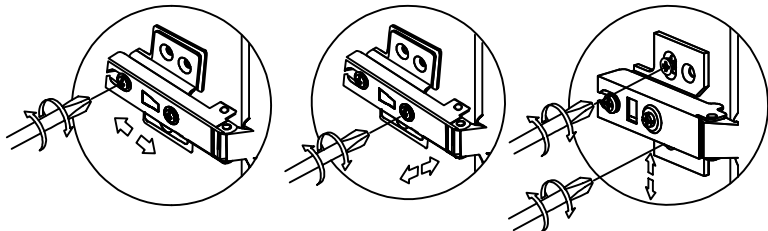
STEP 8



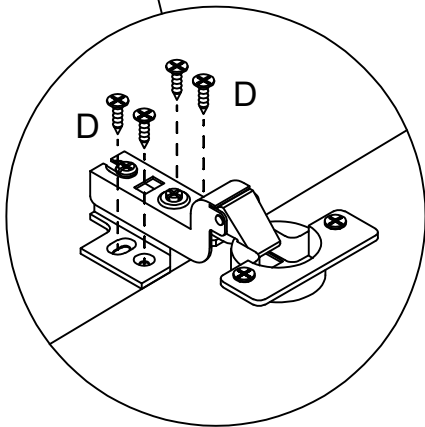
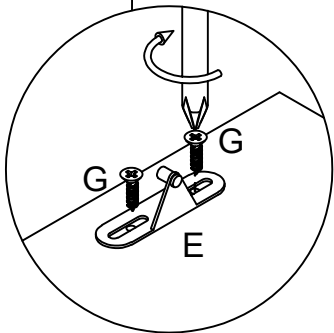
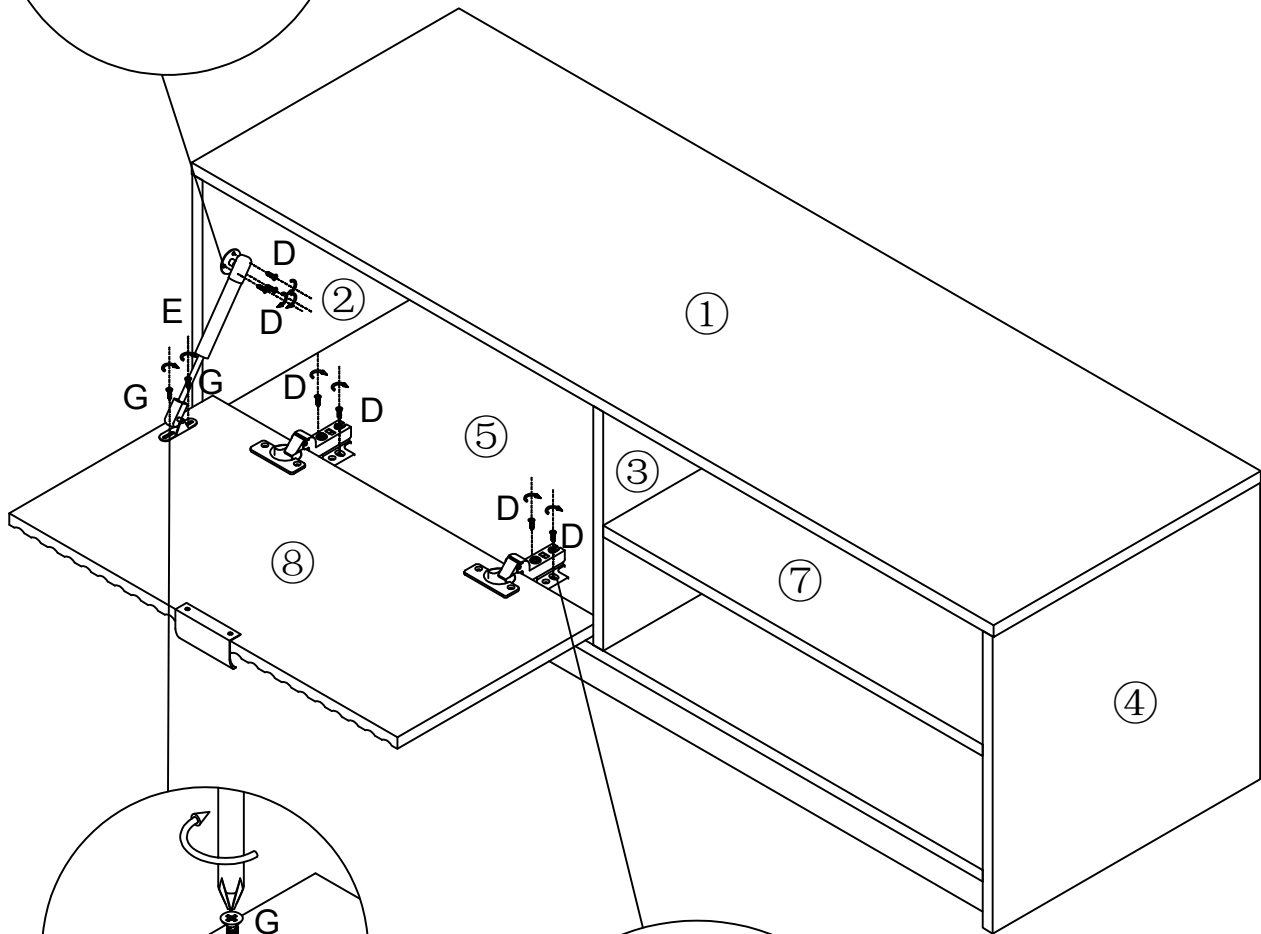
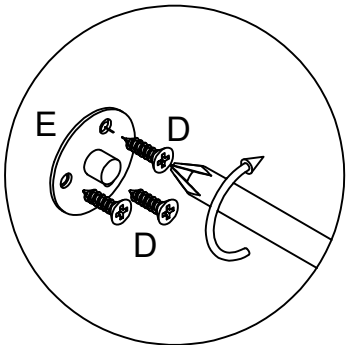
STEP 9



STEP 10



- D 3.5*14
11PCS
- E 1PC
- G 3.5*12
2PCS



STEP 11

- G** 3.5*12
8PCS
- I**
8PCS
- K**
16PCS

