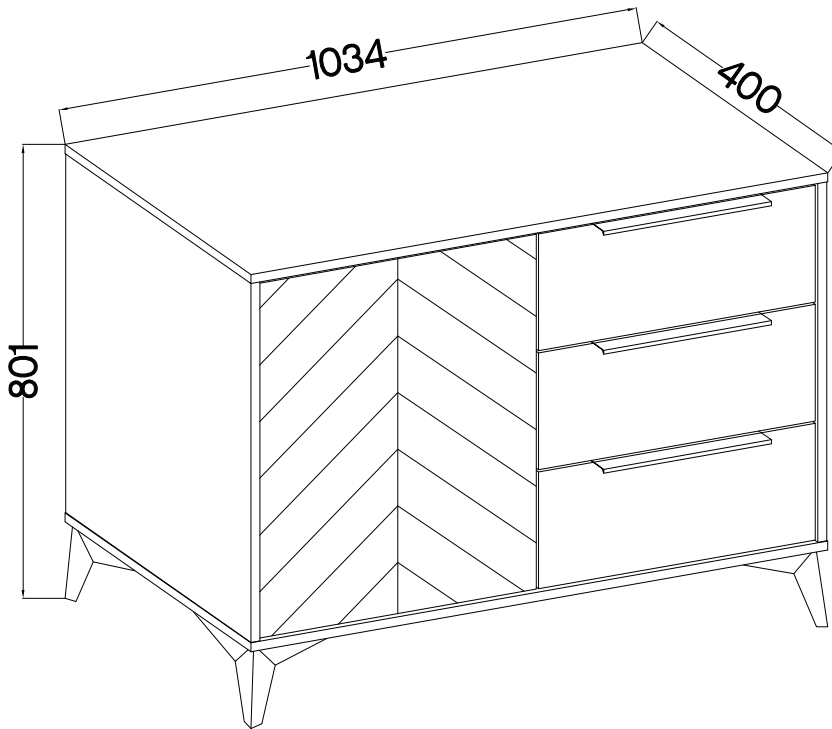
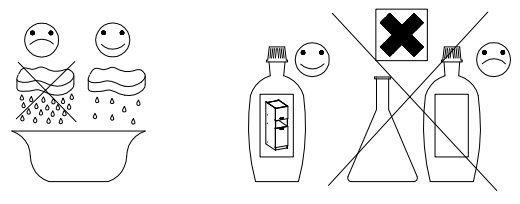
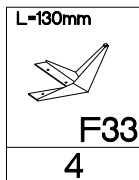
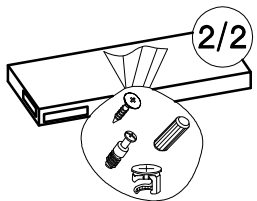
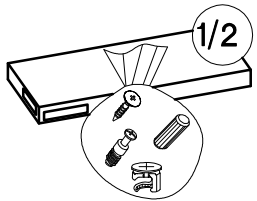
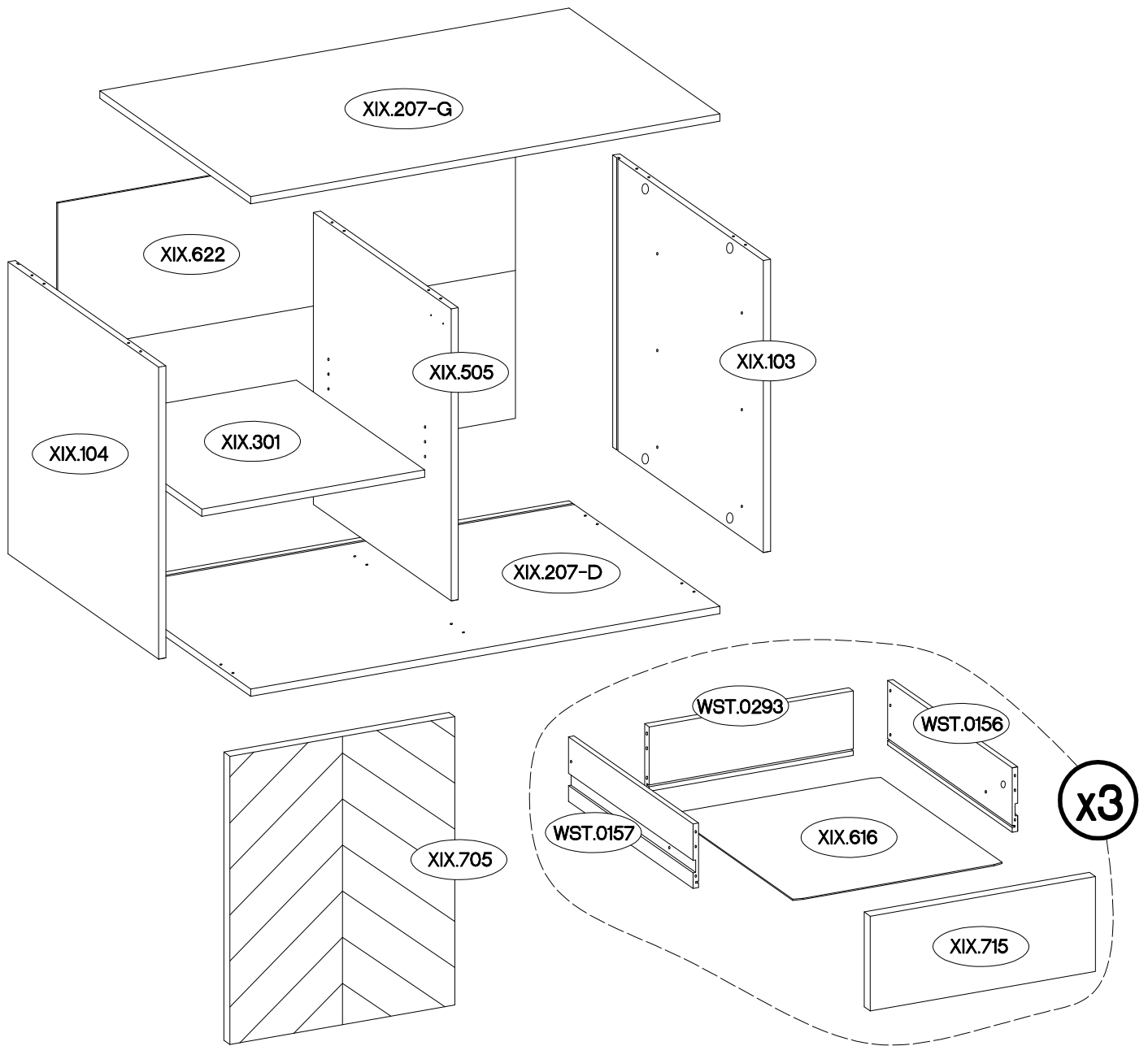


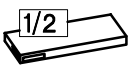
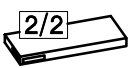
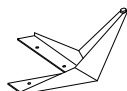
TYP 806



 A 36 L=20mm	 B2 6 +20	 C 12 +35/16mm	 C5 6 27/310mm	 J3 4 +5/16mm	 J14 6 +20/8mm	 L 18	 L33 1	
 L9 1	 M2 6 +6,3x13mm	 M3 6 +6.3x20mm	 O7 1 +10x50mm	 P5 13 +3.5x13mm	 P7 5 +3.0x20mm	 R11 16 +4.0x16mm	 S 3 L=256mm	 U1 6 M4x9mm





	Ersatzteil Nummer	Dimension
	XIX.103	634x399x16
	XIX.104	634x399x16
	XIX.505	634x365x16
	XIX.301	491x340x2,5
	XIX.616 x3	461x327x2,5
	XIX.705	626x496x16
	XIX.207 x2	1034x400x16
	XIX.622	1009x643x2,5
	WST.0156 x3	330x140x12
	WST.0157 x3	330x140x12
	WST.0293 x3	450x140x12
XIX.715 x3	496x206x16	
	 F33 x4	



XIX.207-G




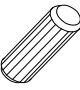
XIX.207-D

XIX.301

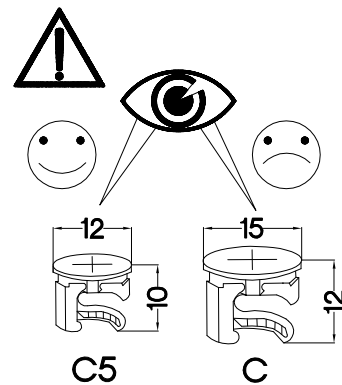
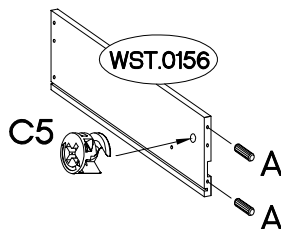
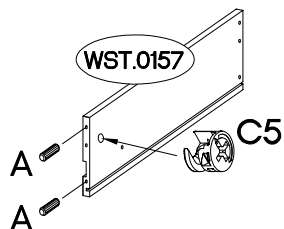
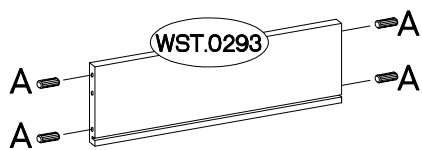
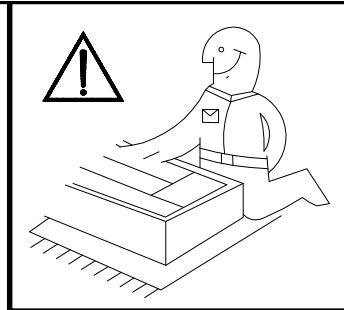


XIX.616


1

±12/10mm  C5 6	±8x30mm  A 24
---	--

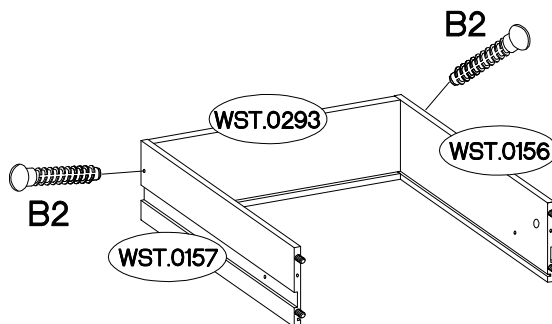
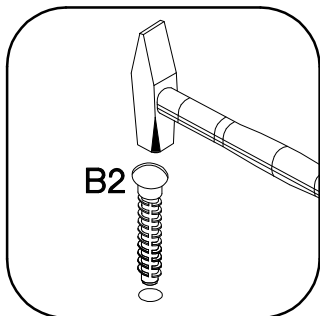
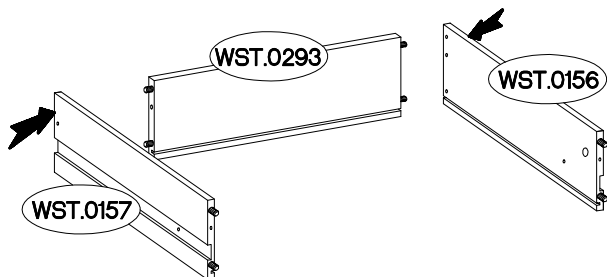
x3




2

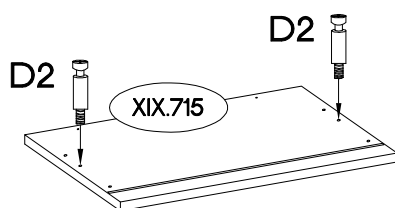
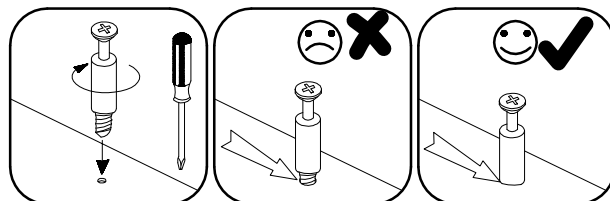
±6x42mm  B2 6

x3



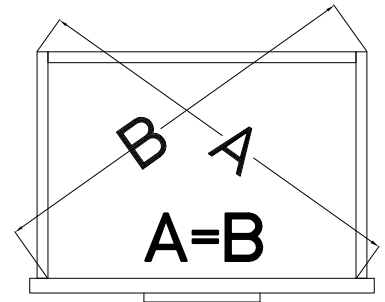
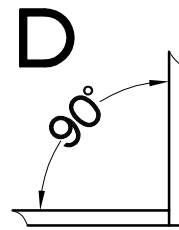
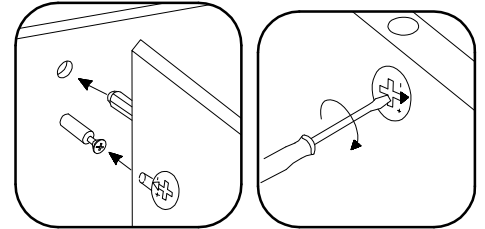
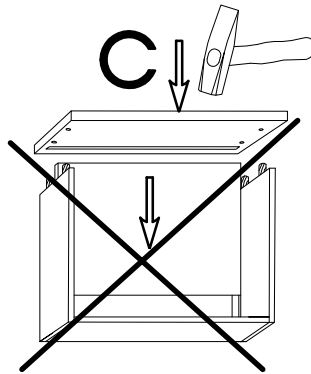
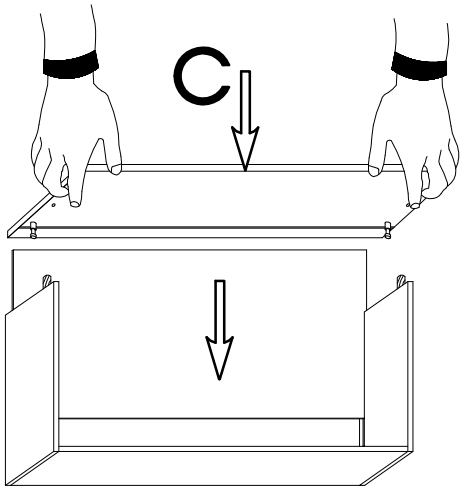
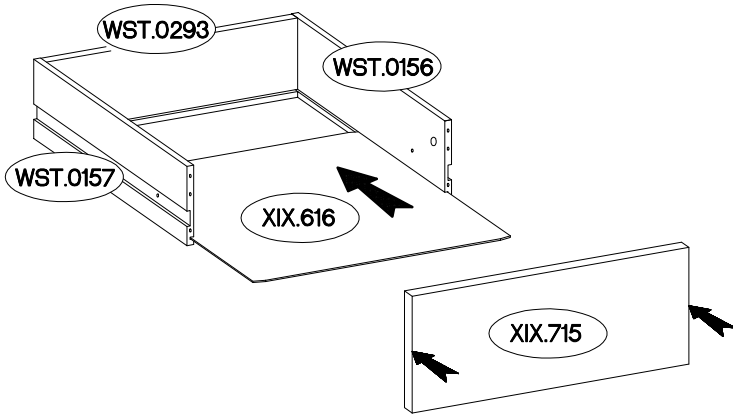
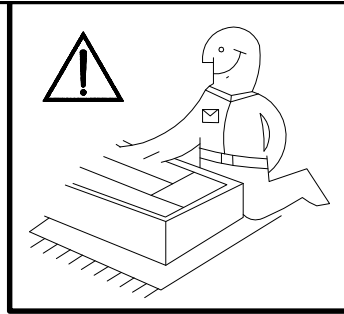
3

L=20mm  D2 6
--

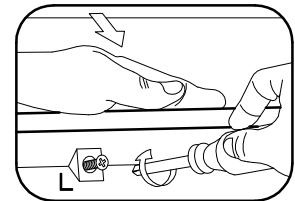
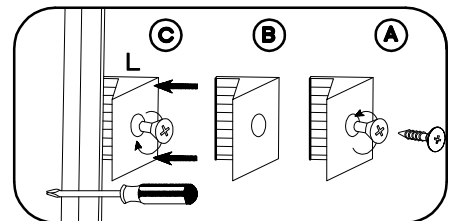
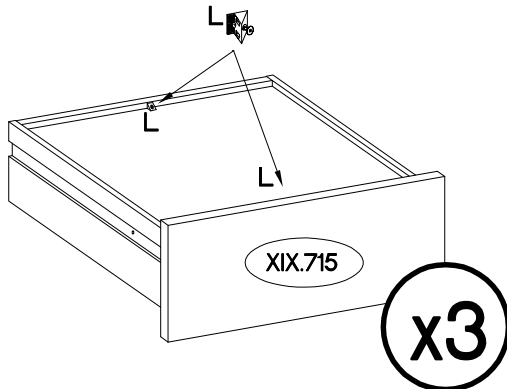
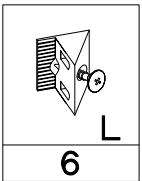


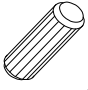

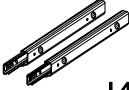


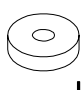
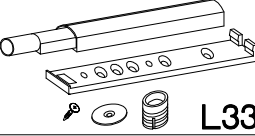
x3

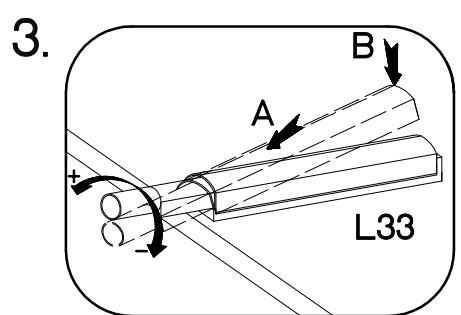
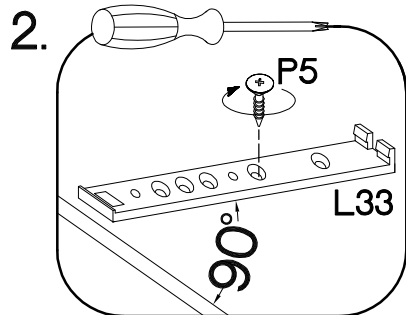
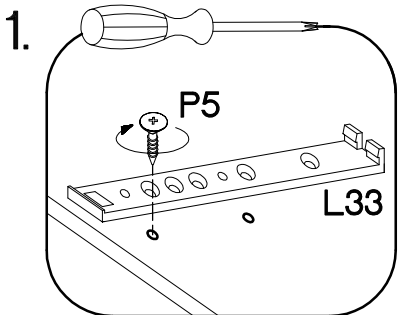
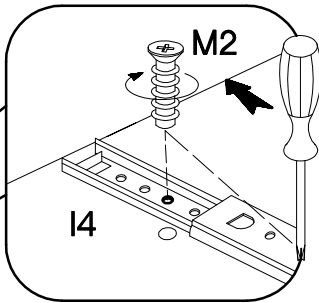
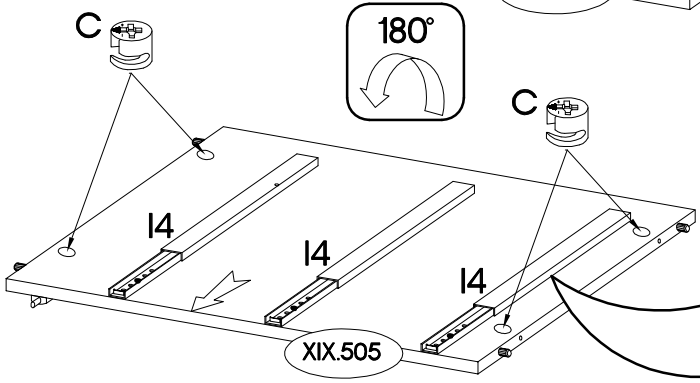
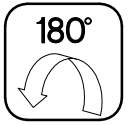
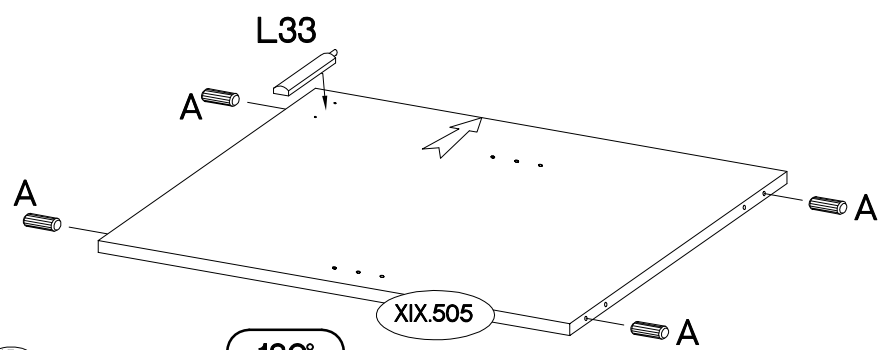
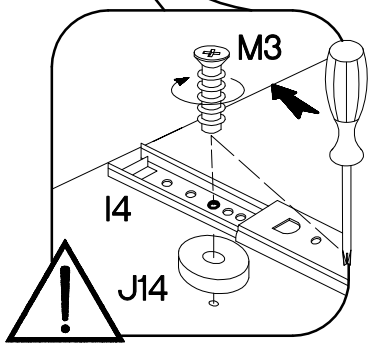
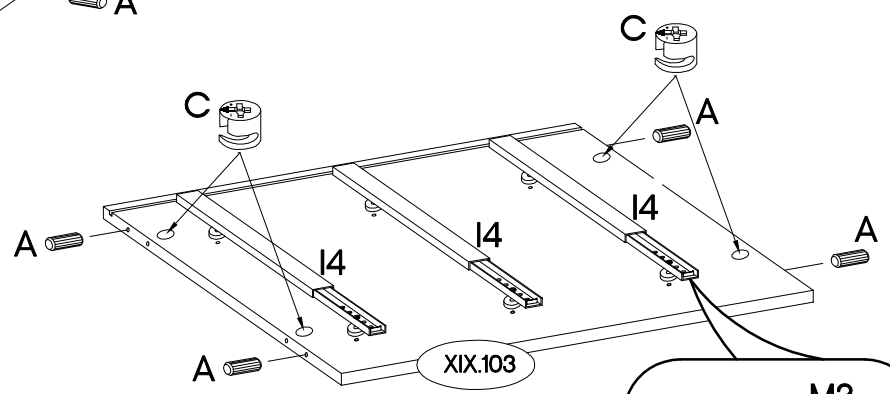
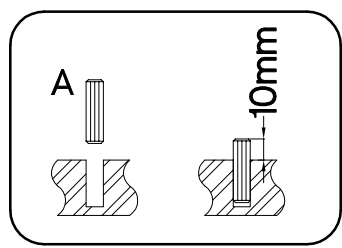
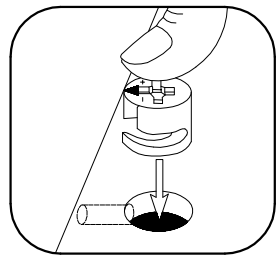
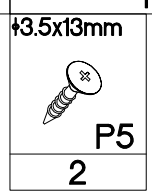
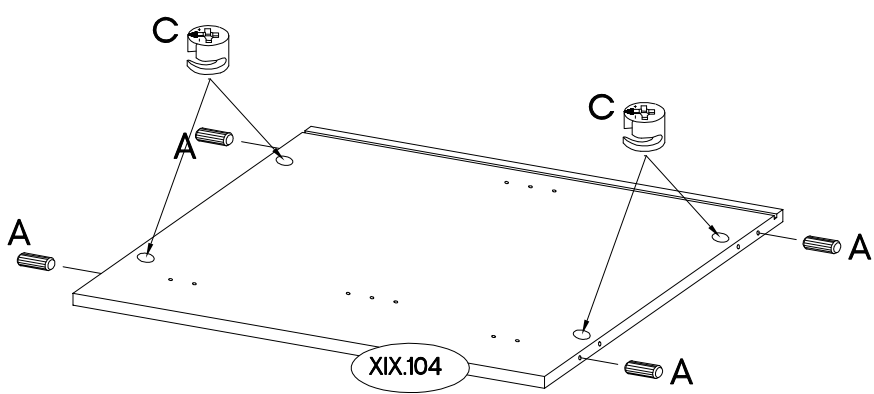
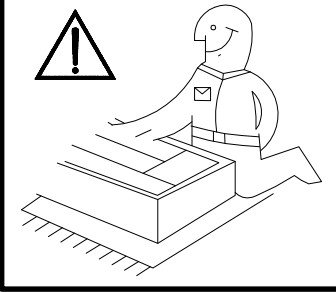
4



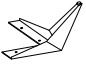


5

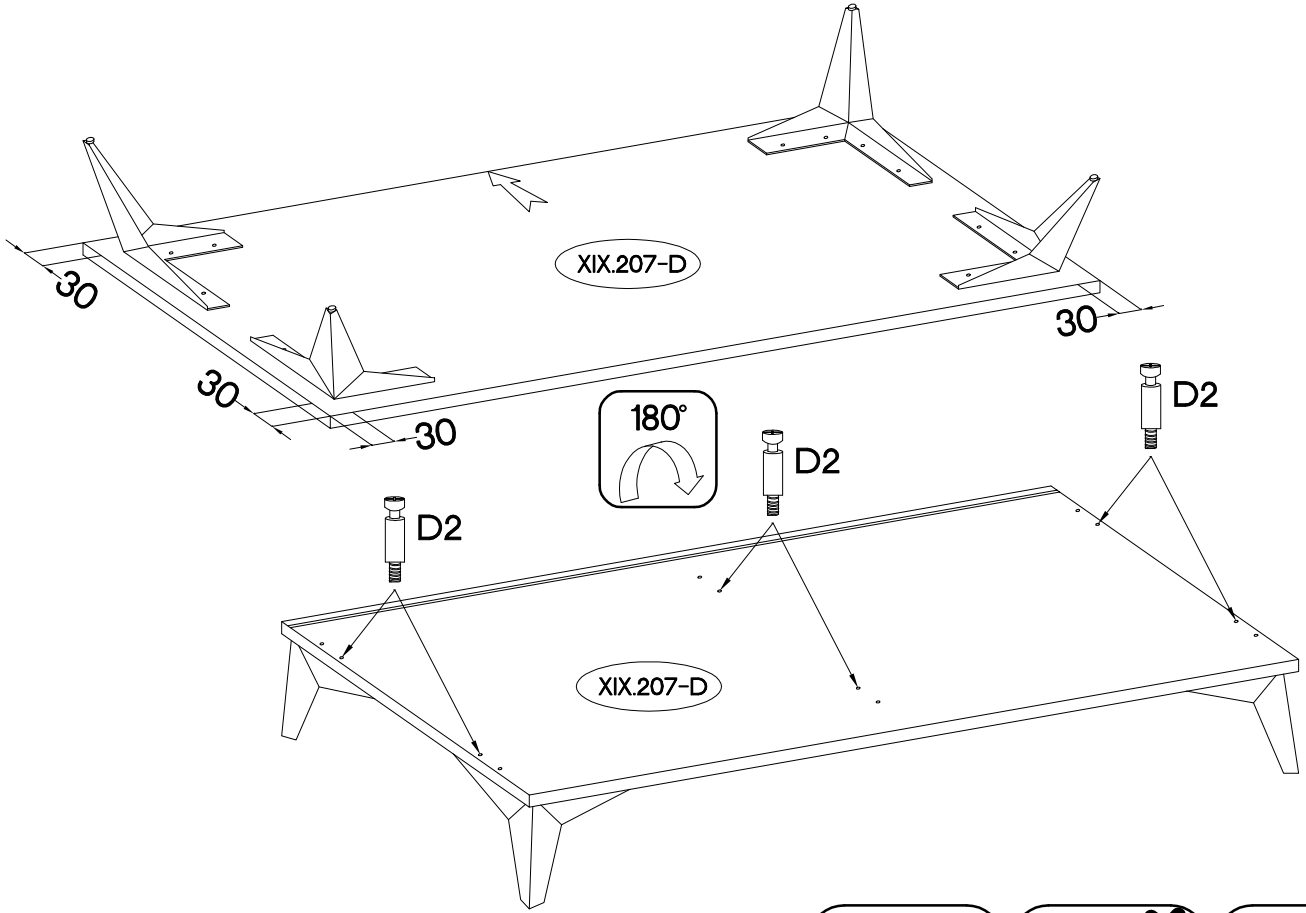
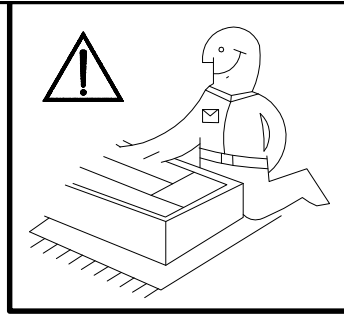
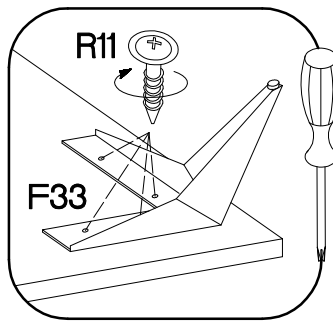


$\pm 8 \times 30 \text{mm}$  A 12	$\pm 15/12 \text{mm}$  C 12	$27/310 \text{mm}$  I4 3	$\pm 6,3 \times 13 \text{mm}$  M2 6	$\pm 6,3 \times 20 \text{mm}$  M3 6	$\pm 20/8 \text{mm}$  J14 6	 L33 1
--	--	---	--	--	--	---




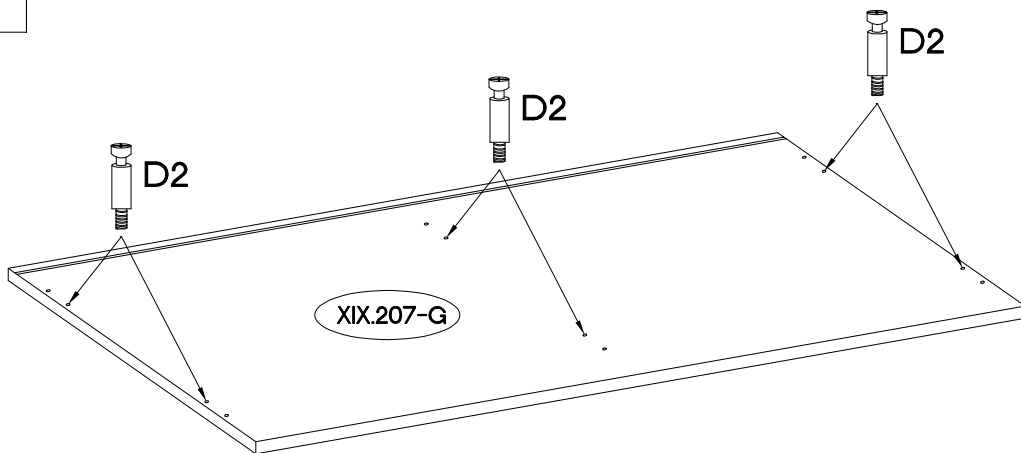
7

L=130mm  F33 4	+4.0x16mm  R11 16	L=20mm  D2 6
---	--	---

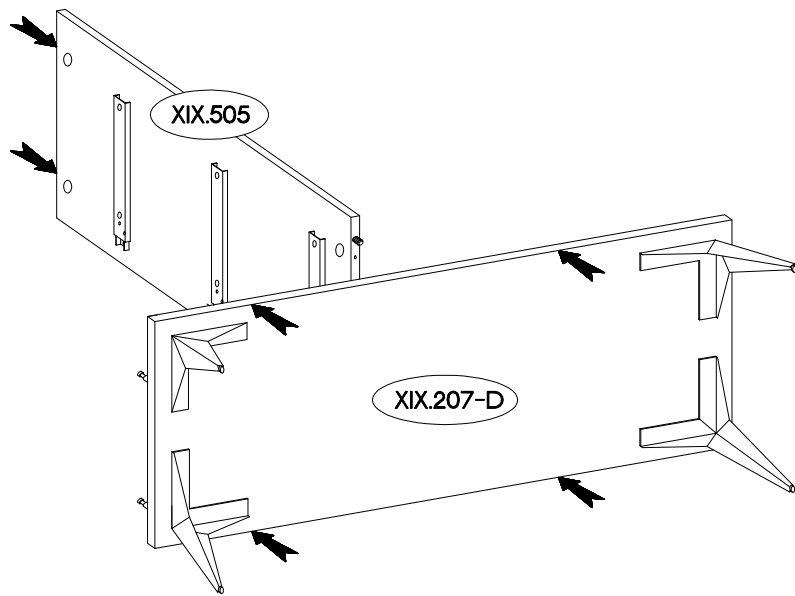
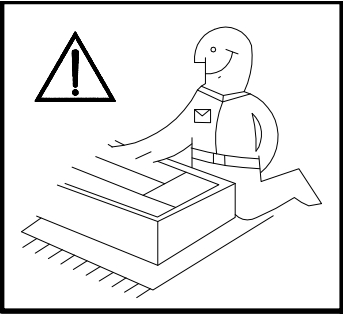


8

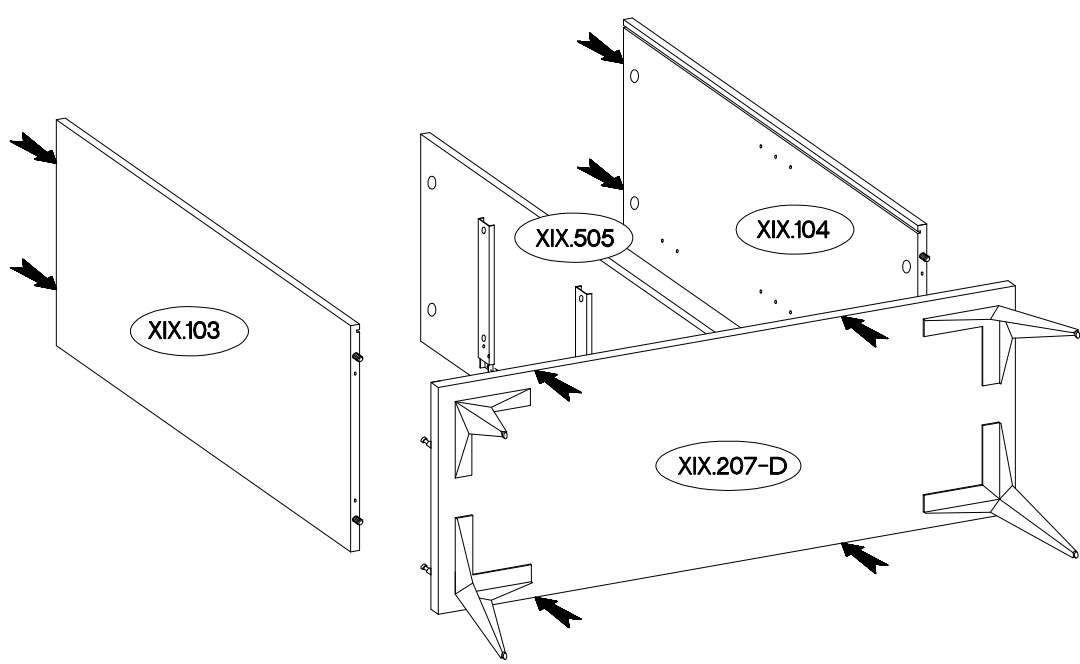
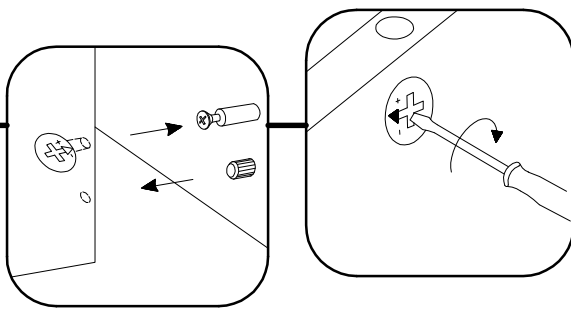
L=20mm  D2 6
--





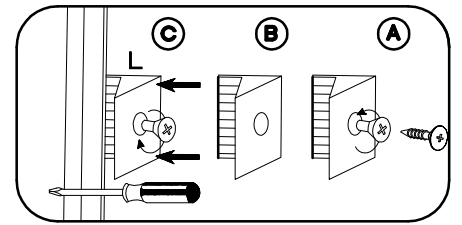
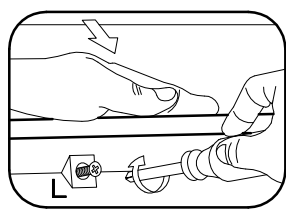
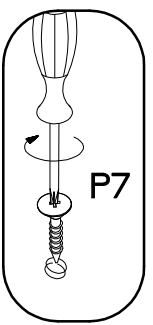
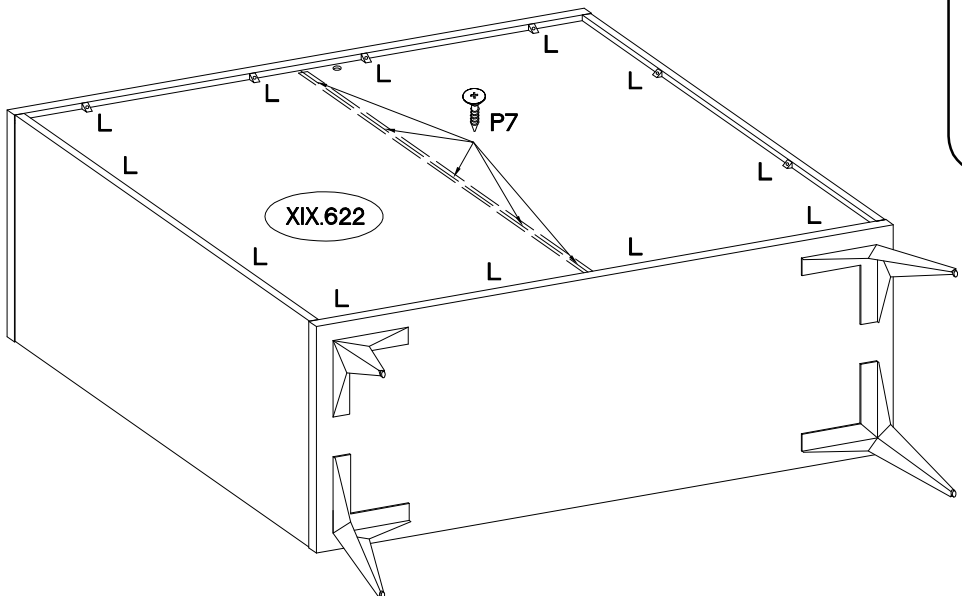
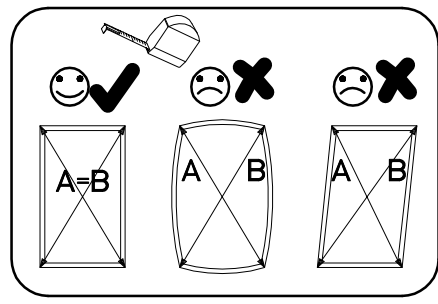
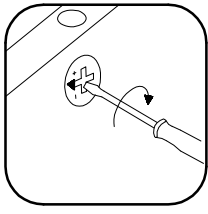
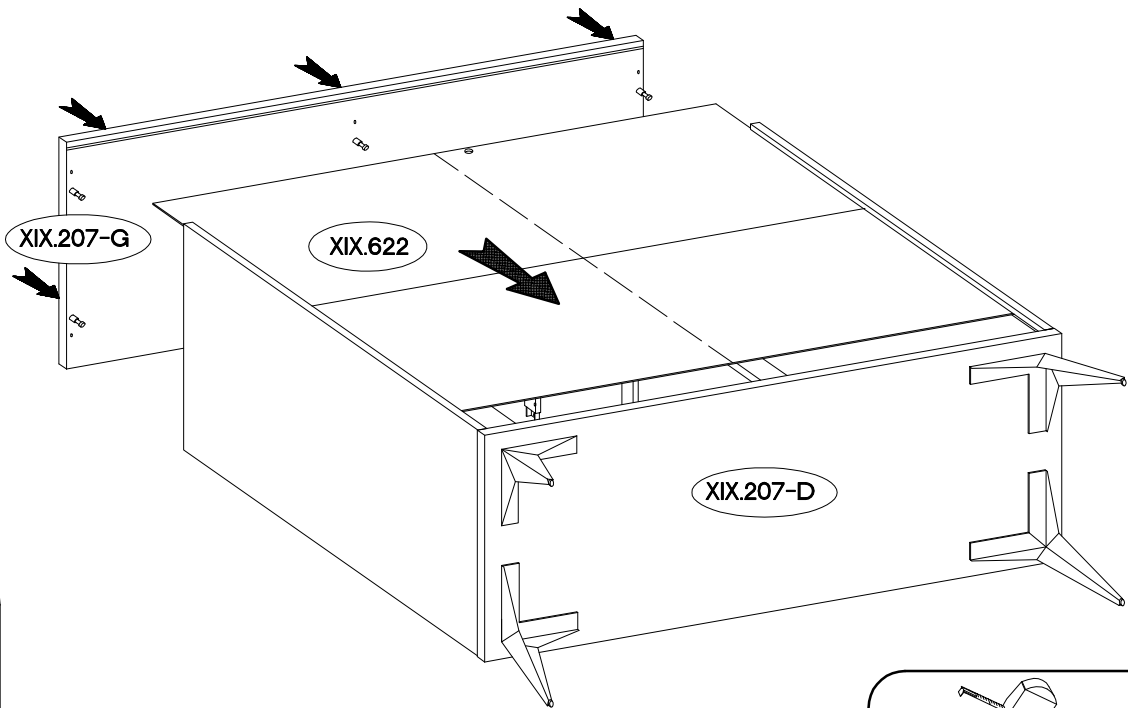
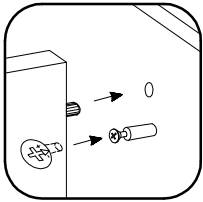
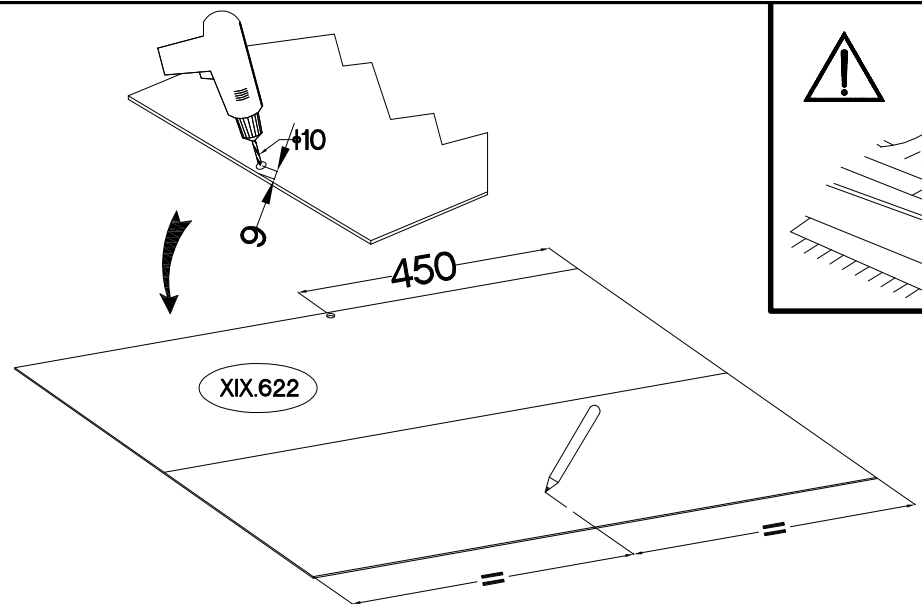
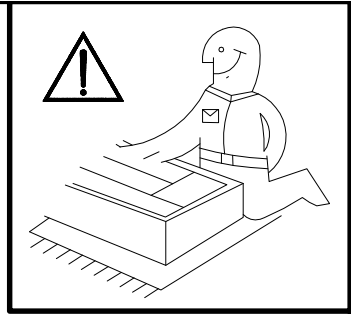
10






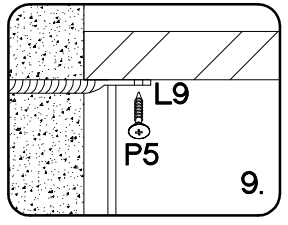
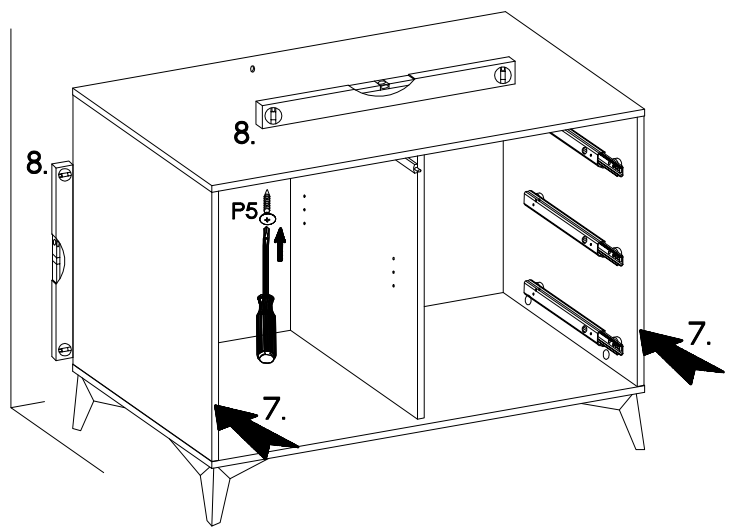
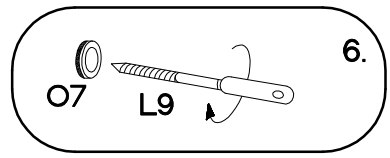
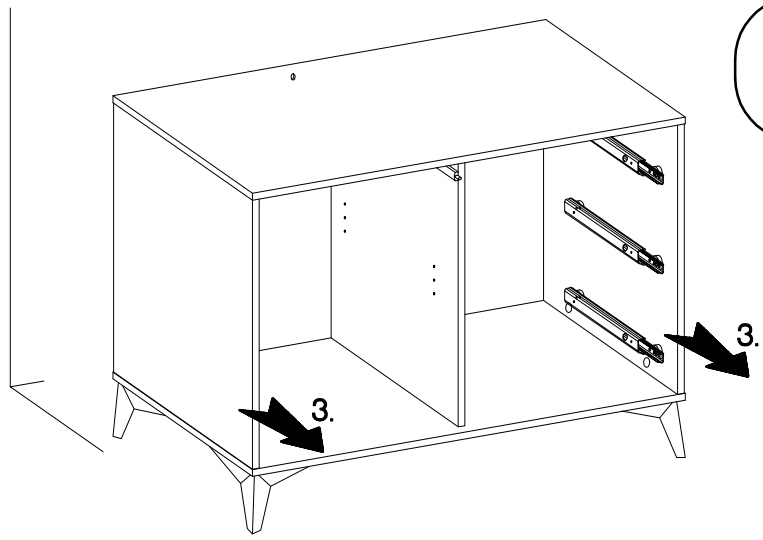
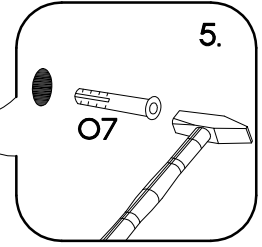
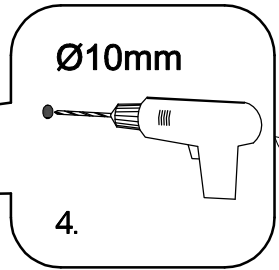
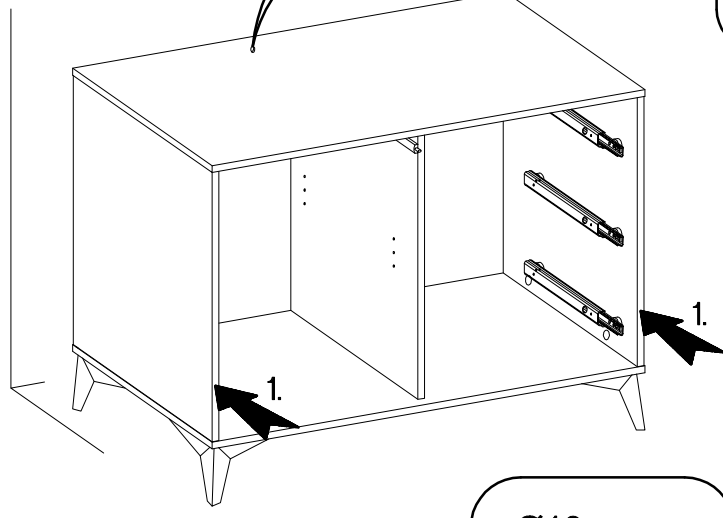
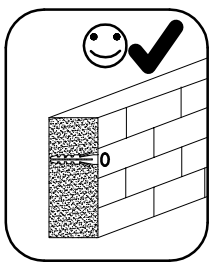
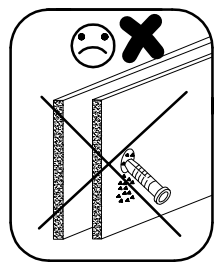
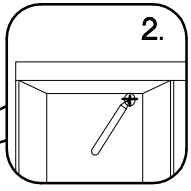
11



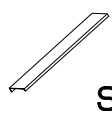


 P7 5	 L 12
--	---

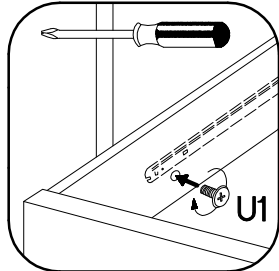
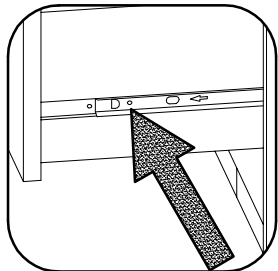
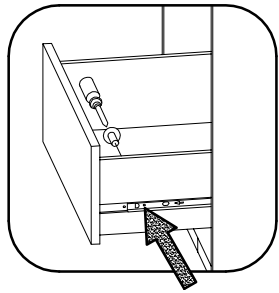
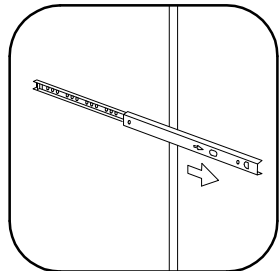
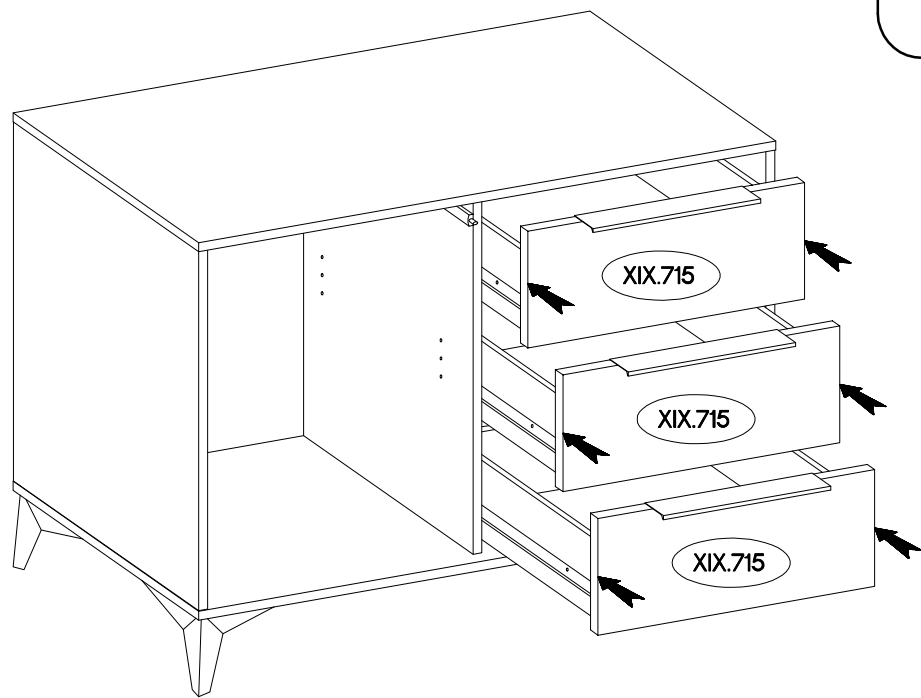
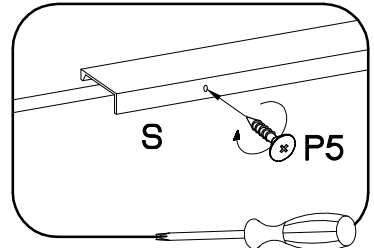


$\pm 10 \times 50 \text{mm}$  O7 1	 L9 1	$\pm 3.5 \times 13 \text{mm}$  P5 1
---	---	--

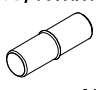
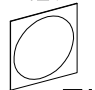


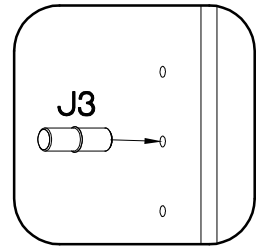
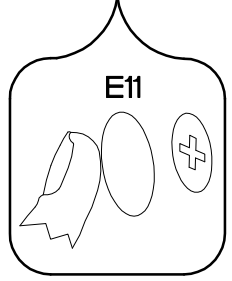
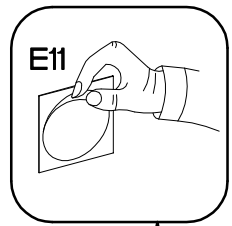
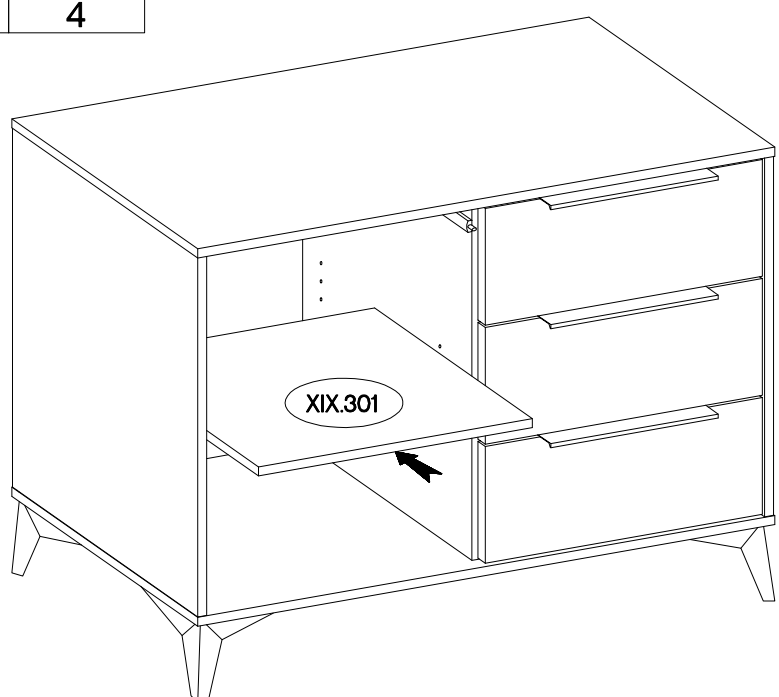
14

L=256mm	±3.5x13mm	M4x9mm
		
S	P5	U1
3	6	6

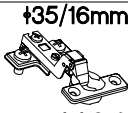

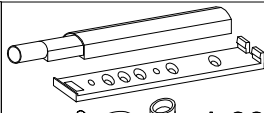


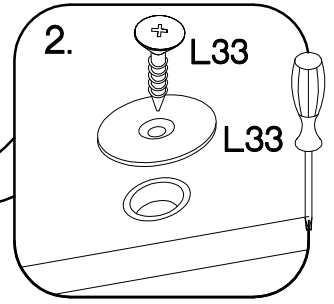
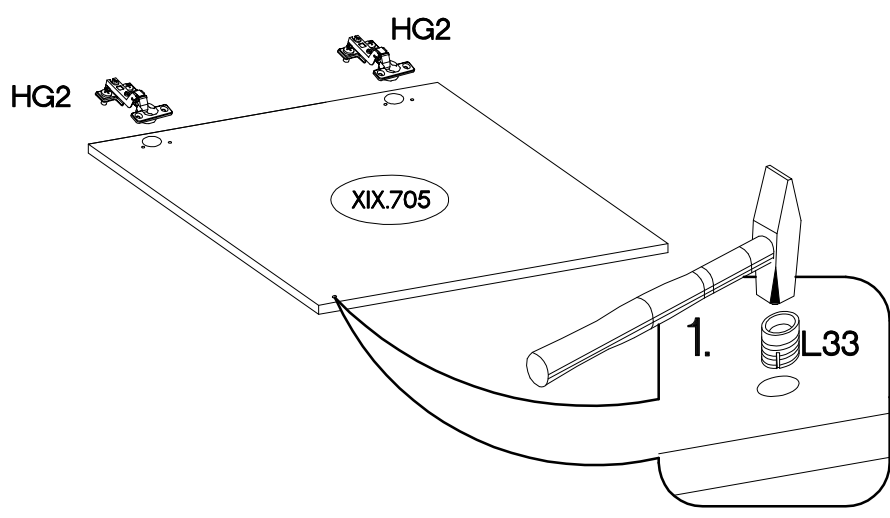
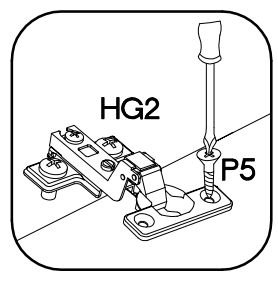
15

±5/16mm	±20
	
J3	E11
4	4



16

 HG2 2	 P5 4	 L33 1
--	---	--



17

