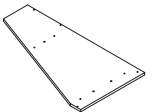
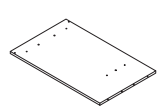
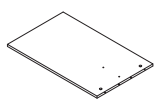
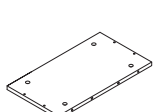
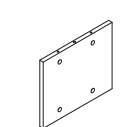
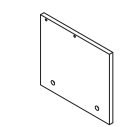
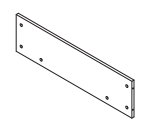
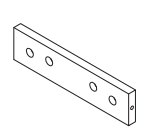











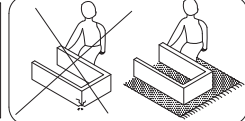
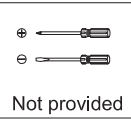
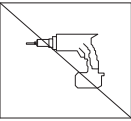
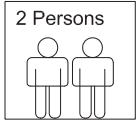
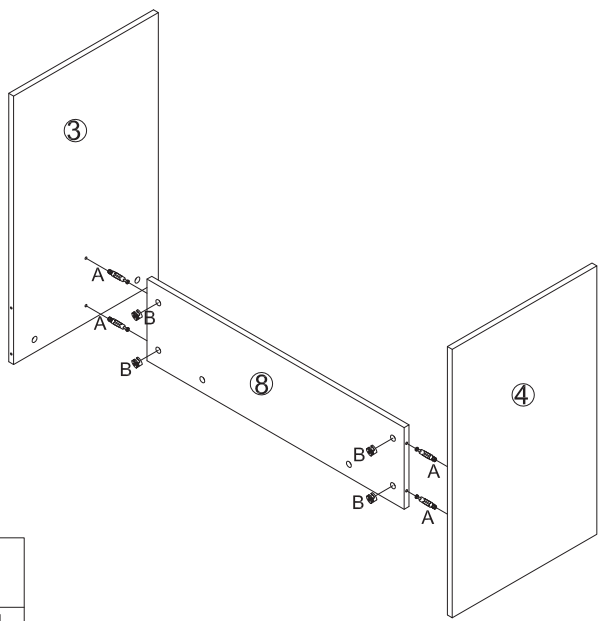


 ① x1	 ② x1	 ③ x1	 ④ x1	 ⑤ x1
 ⑥ x1	 ⑦ x1	 ⑧ x1	 ⑨ x2	 ⑩ x1
 ⑪ x1	 ⑫ x1	 A x28	 B x28	 8x30mm C x11
 7x40mm D x2	 6x12mm E x4	 F x2	 G x12	 H x1

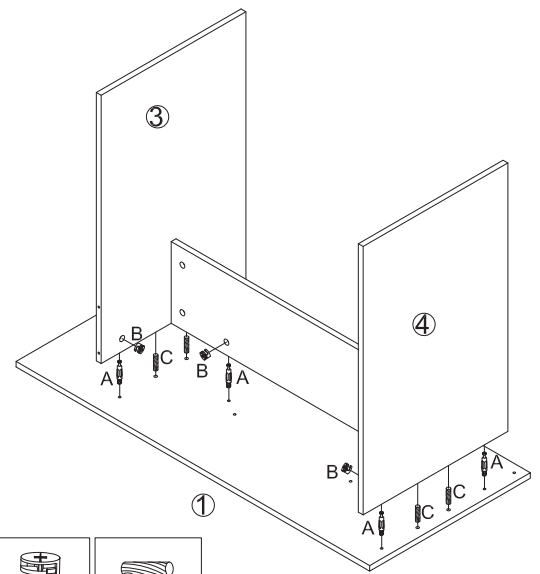





1



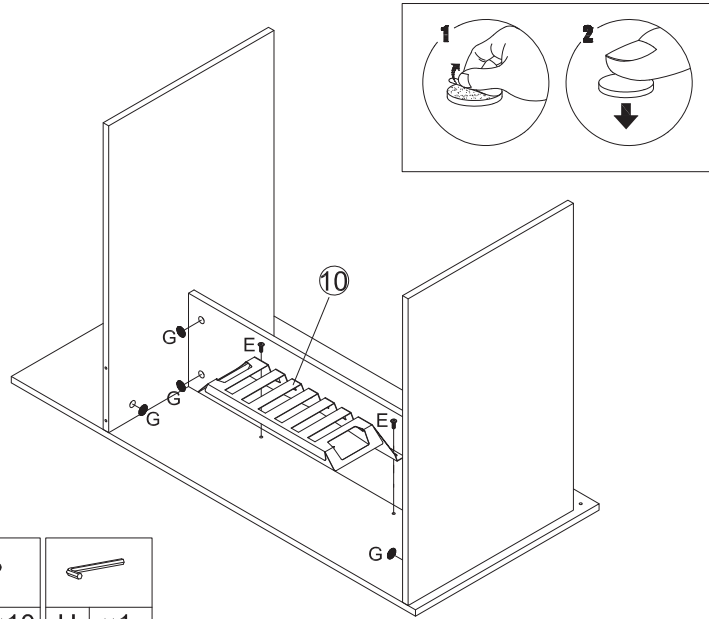
	
A x4	B x4

2



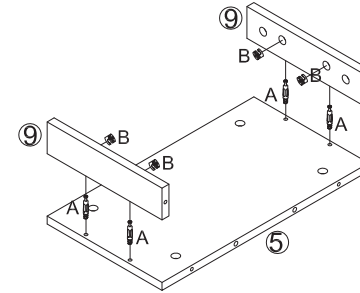
		
A x6	B x6	C x4

3



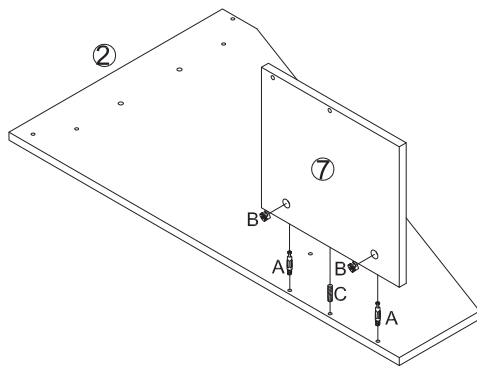
E x2	G x10	H x1

4



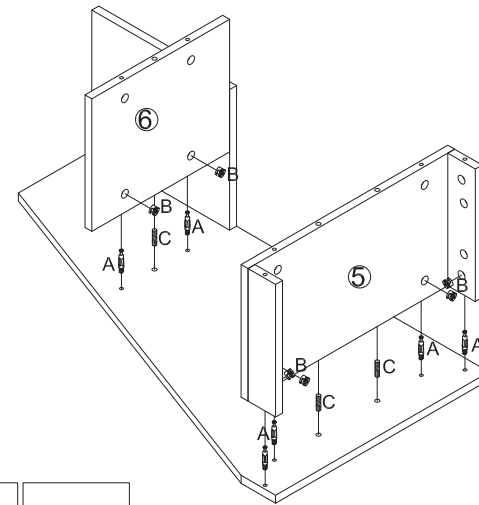
A x4	B x4

5



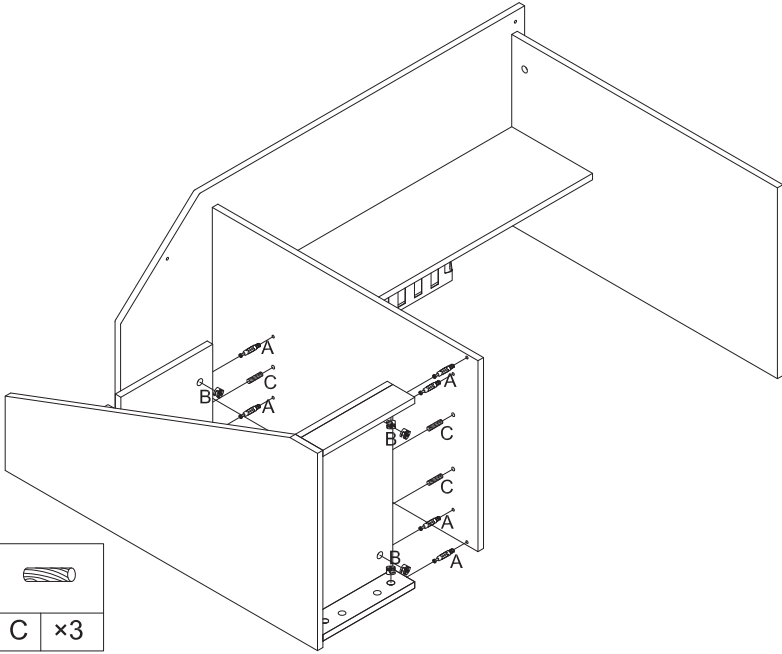
A x2	B x2	C x1




6



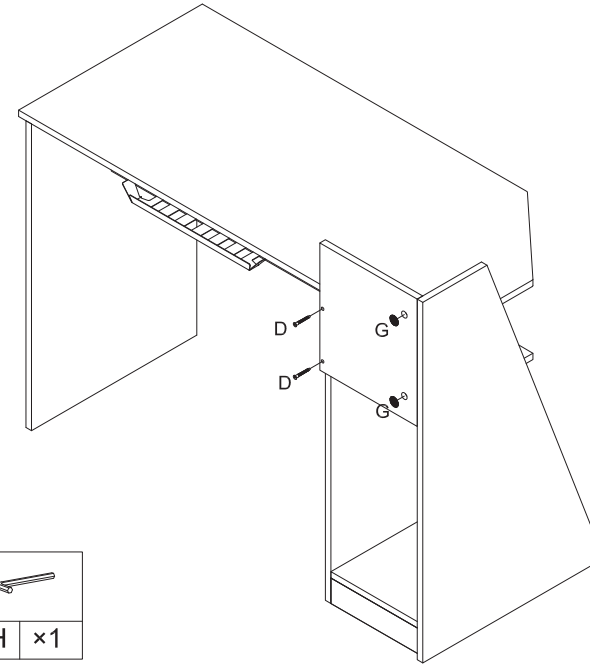
A x6	B x6	C x3




7



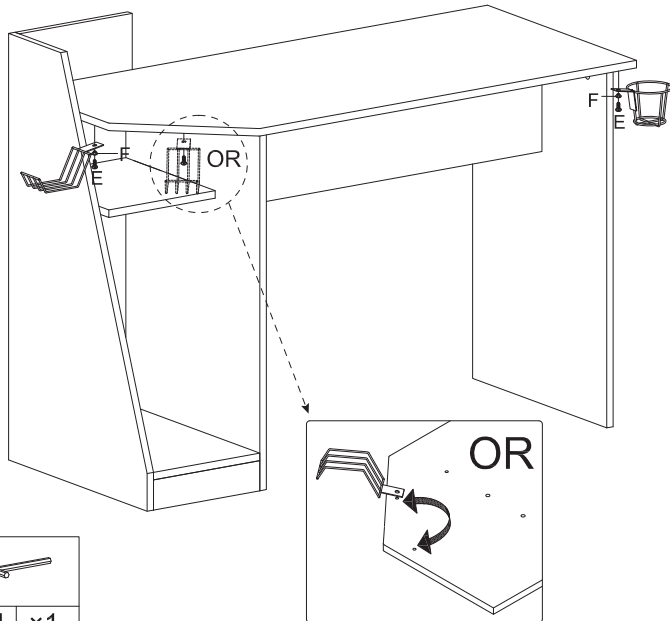
	A	x6
	B	x6
	C	x3




8



	D	x2		G	x2		H	x1
---	---	----	---	---	----	---	---	----

9



	E	x2		F	x2		H	x1
---	---	----	---	---	----	---	---	----

10

