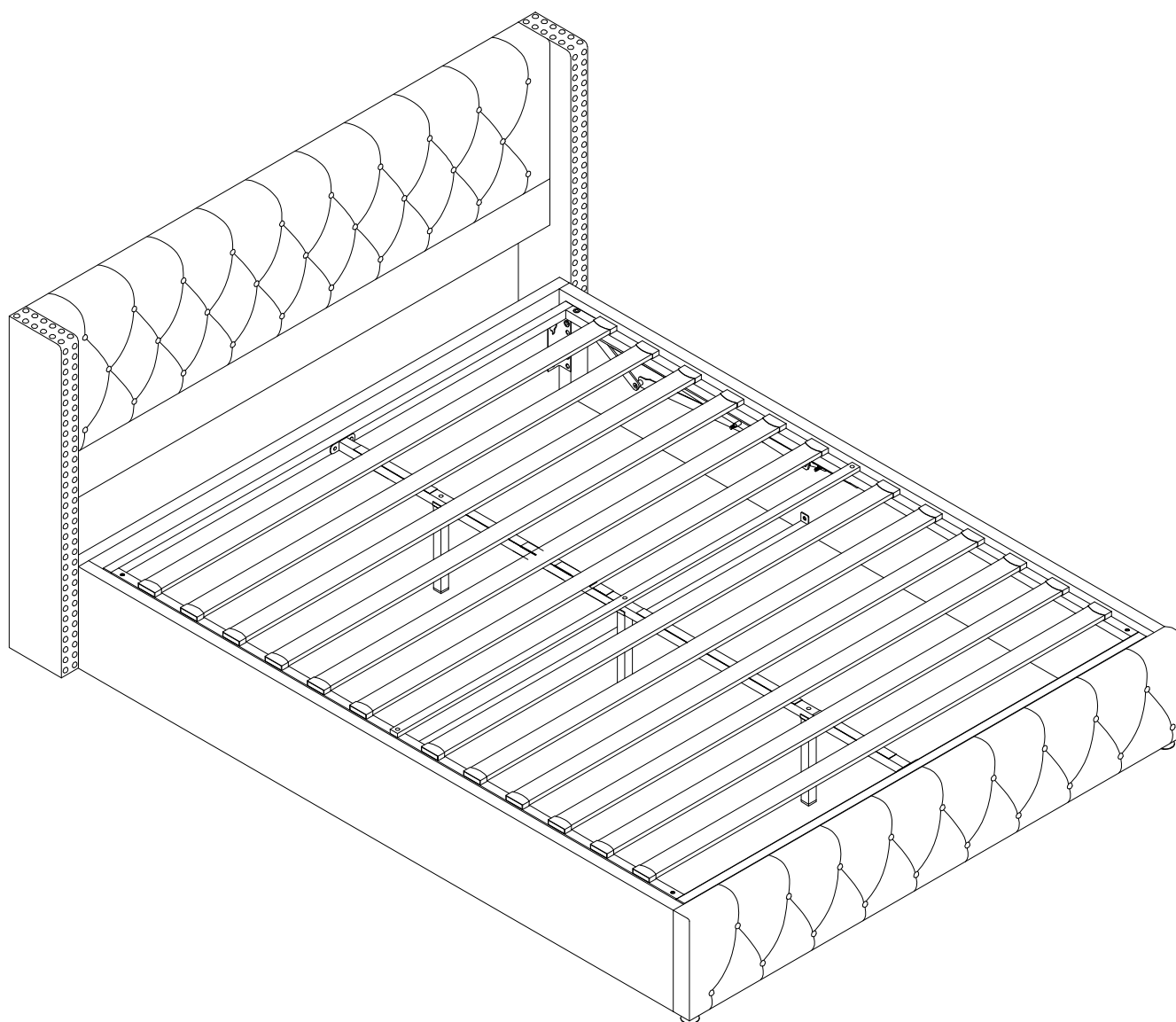


ZENMOR UPHOLSTERED BED

Do not discard the packaging until you have successfully completed the assembly.

Please check that you have all the parts list before you start assembling, if you find that something is missing, do not continue assembly, please contact us immediately.

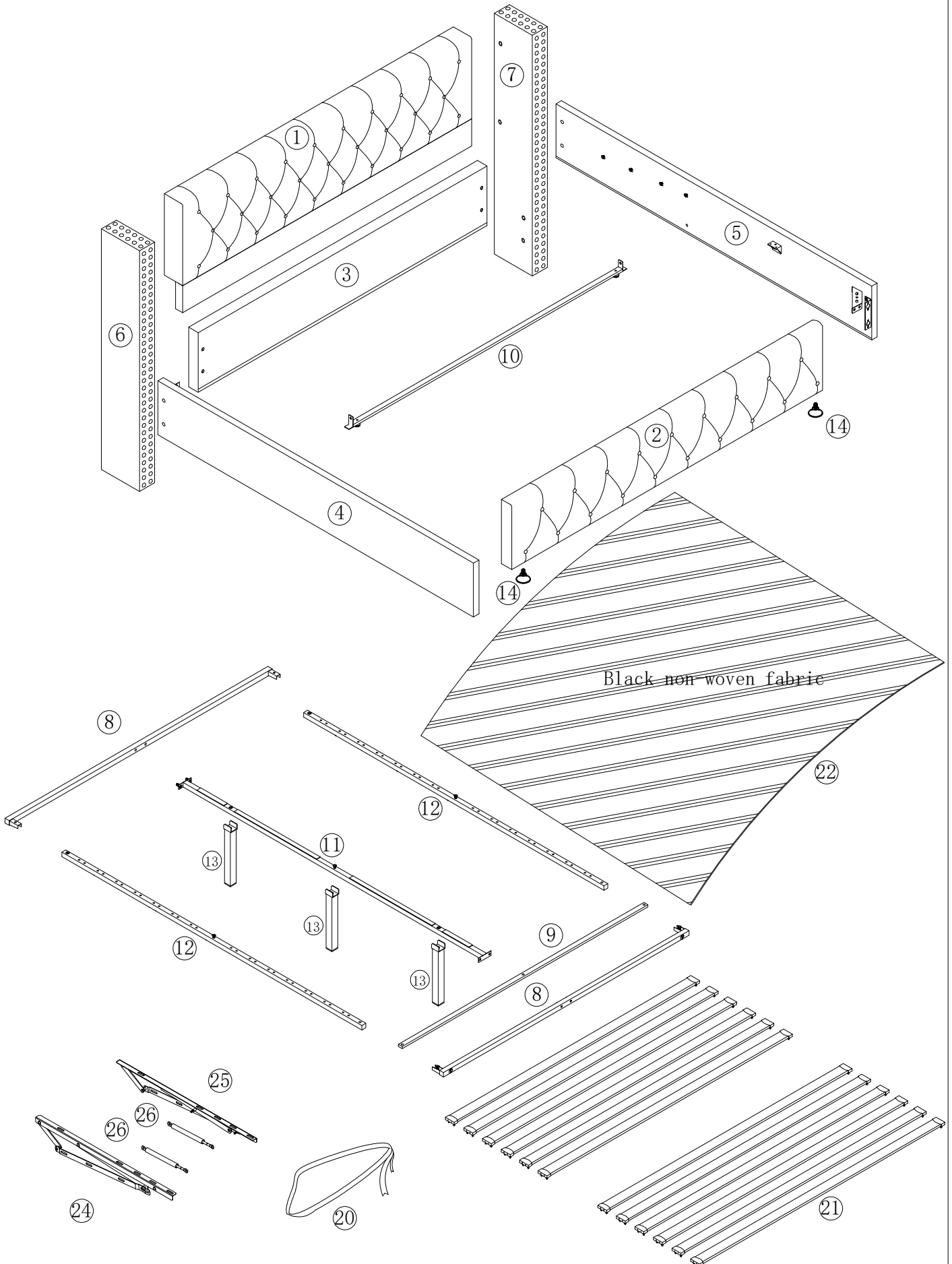


DEAR CUSTOMER,

Thank you for choosing our product. Please read this manual carefully before assembling or using the product, to avoid damage caused by improper use. If the product is passed on to third parties, this manual has to be passed on along with the product. For any question don't hesitate to contact us.

NOTE: Please do not completely tighten all the hardware until the entire assembly is complete!

Part list



Assembly Instruction



M8*20
A .46PCS



M8*35
B .8PCS



M8*45
C .7PCS

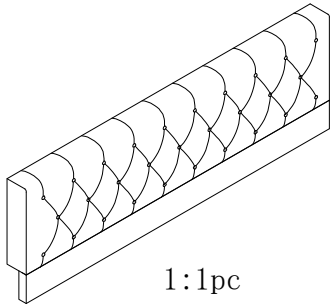


D .4PCS

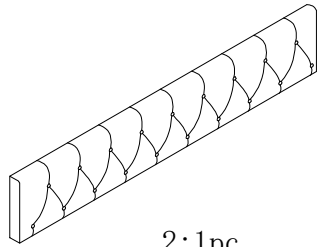


E .1PC

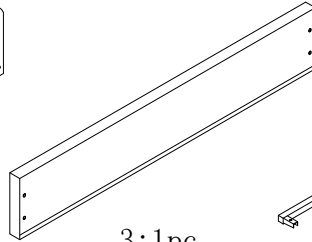
Box 1/2



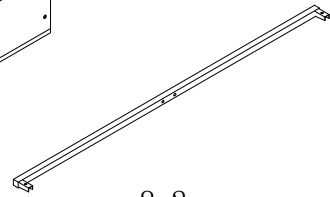
1:1pc



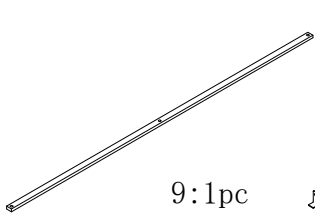
2:1pc



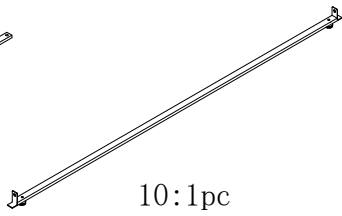
3:1pc



8:2pcs



9:1pc



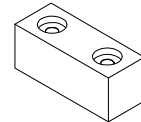
10:1pc



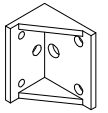
13:3pcs



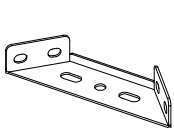
14:2pcs



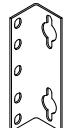
15:1pc



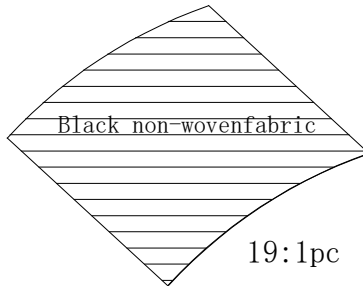
16:2pcs



17:2pcs



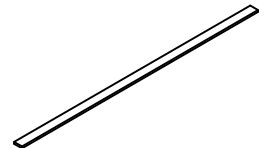
18:4pcs



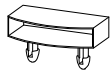
19:1pc



20:1pc



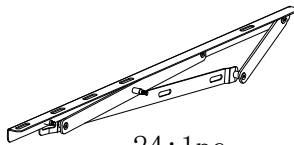
21:12pcs



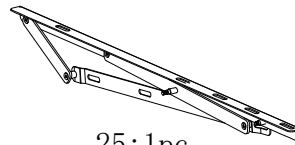
22:24pcs



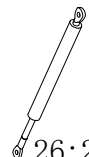
23:2pcs



24:1pc

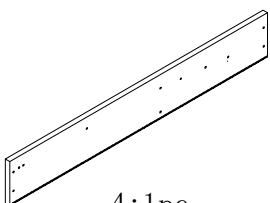


25:1pc

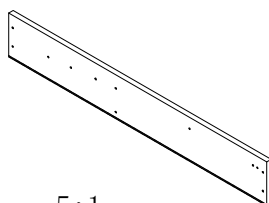


26:2pcs

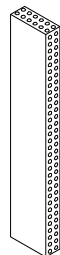
Box 2/2



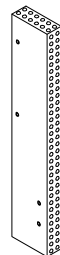
4:1pc



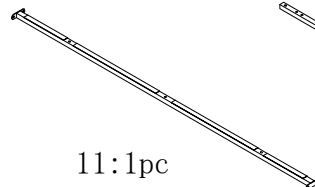
5:1pc



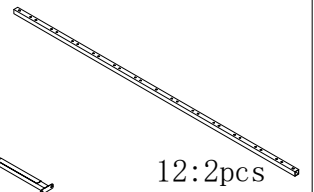
6:1pc



7:1pc

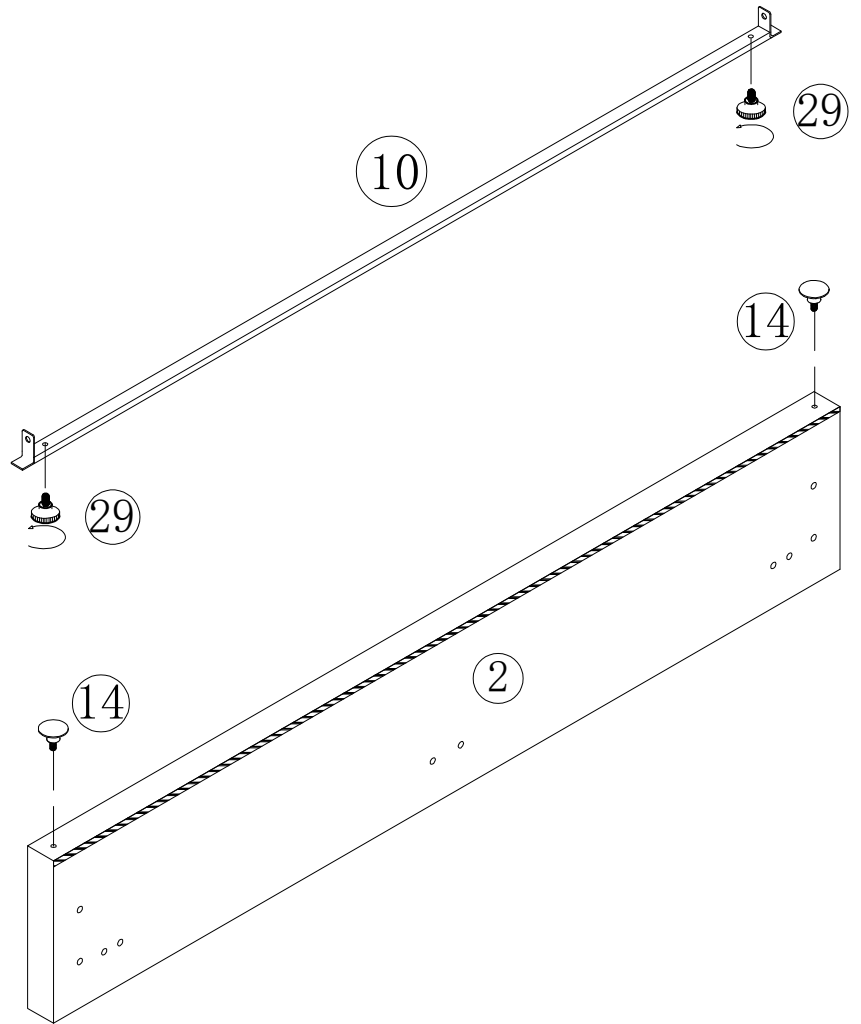
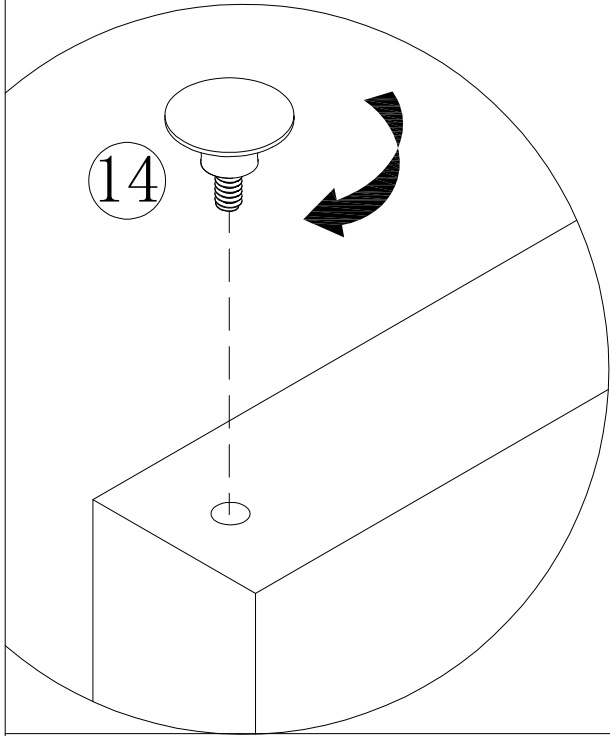


11:1pc

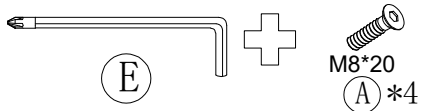
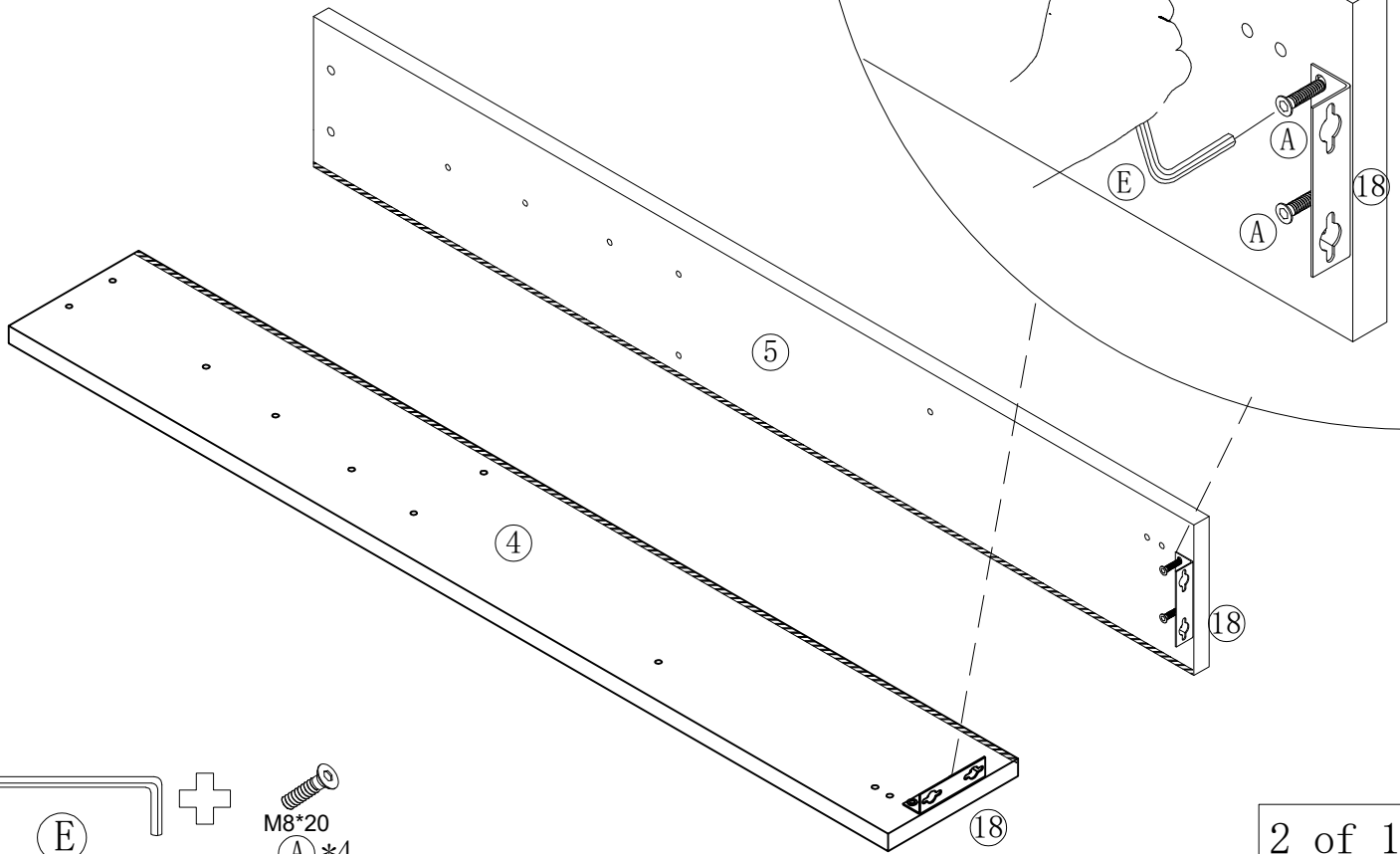


12:2pcs

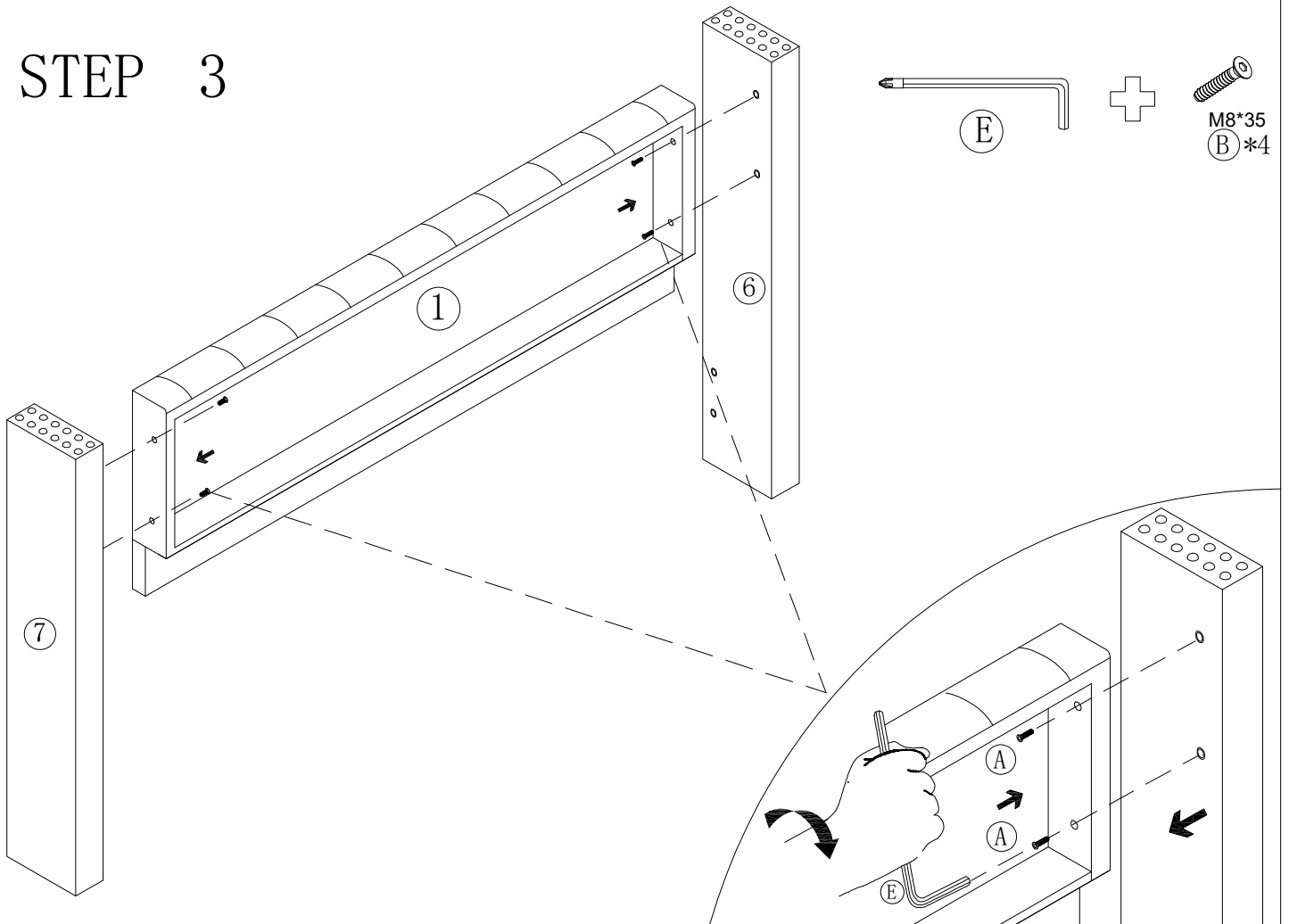
STEP 1



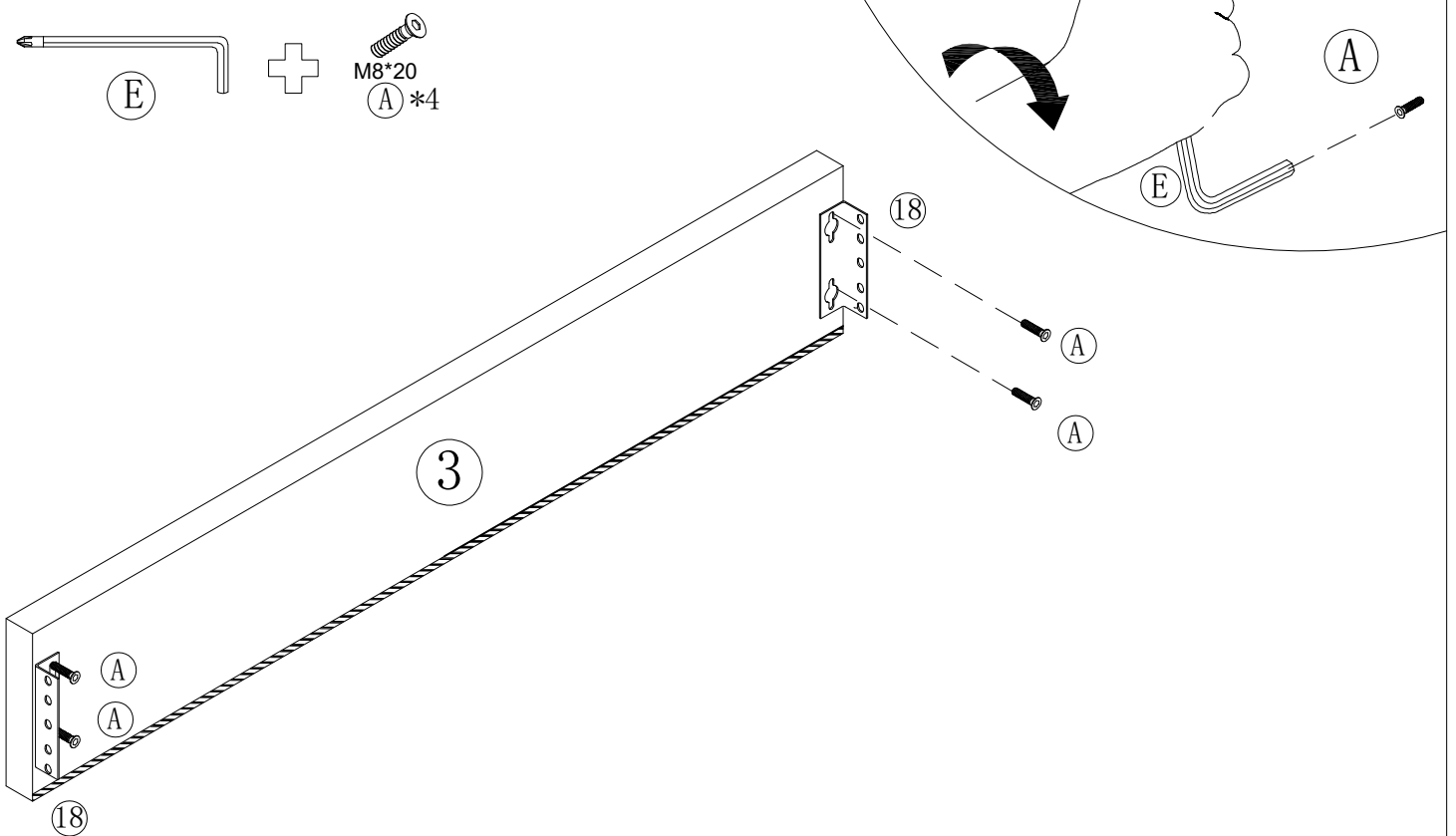
STEP 2



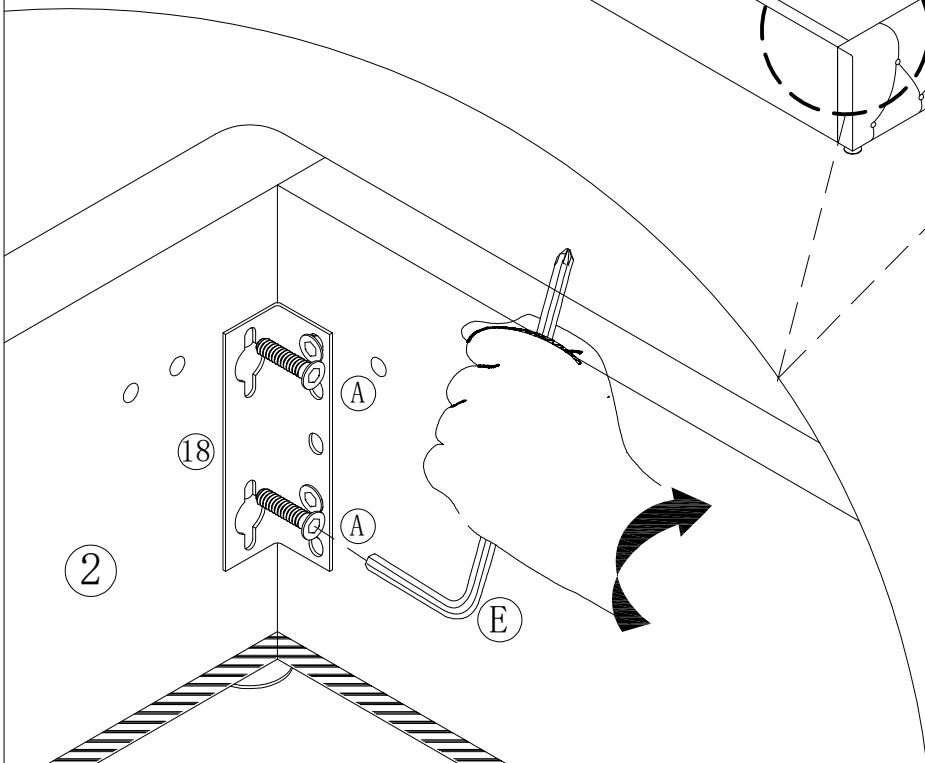
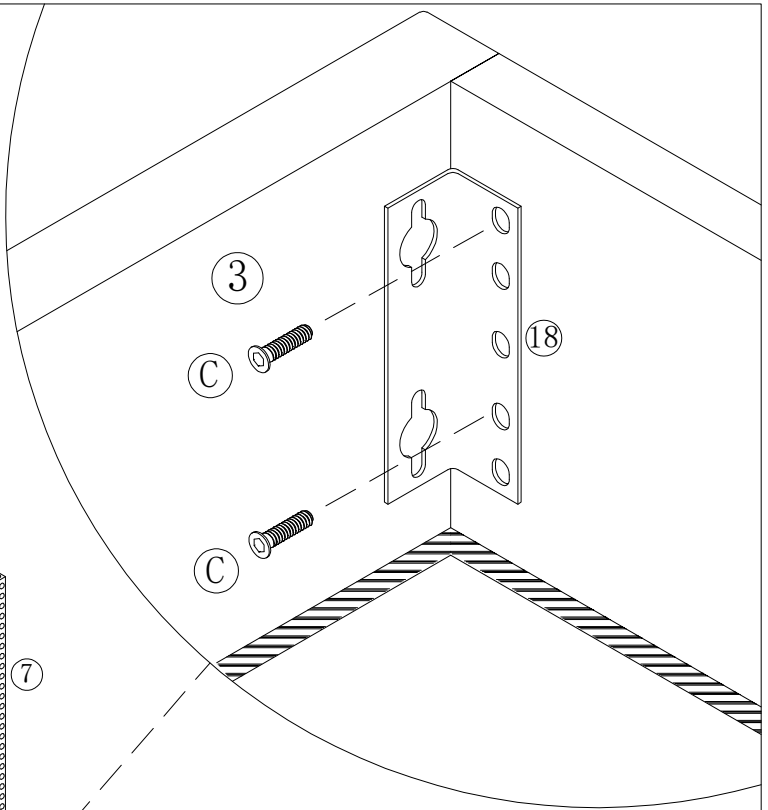
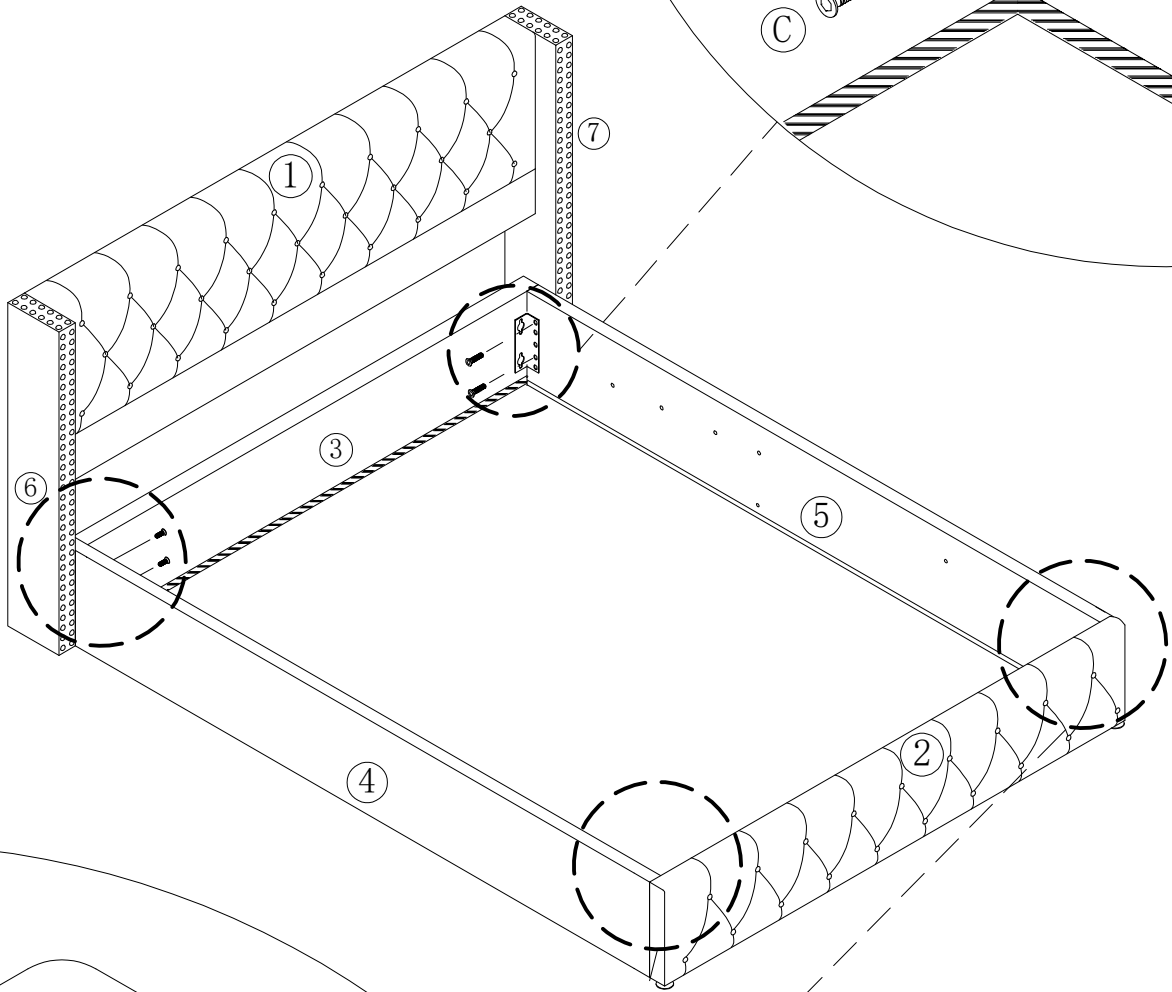
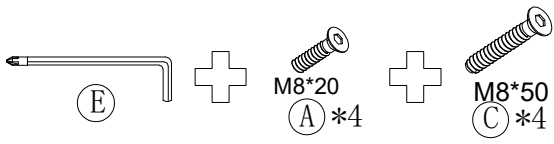
STEP 3



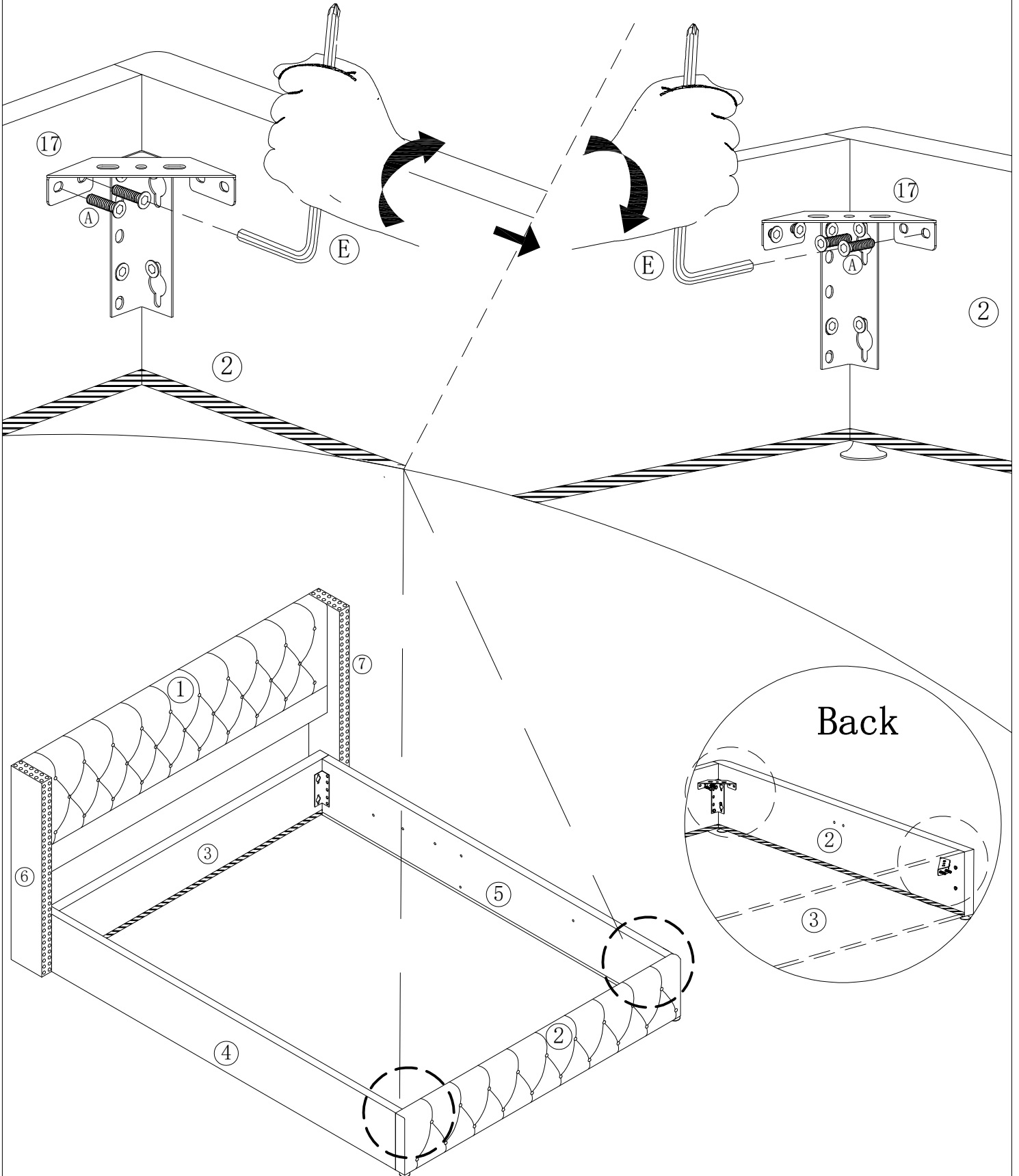
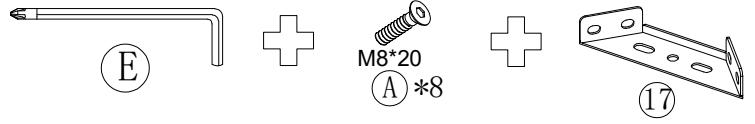
STEP 4



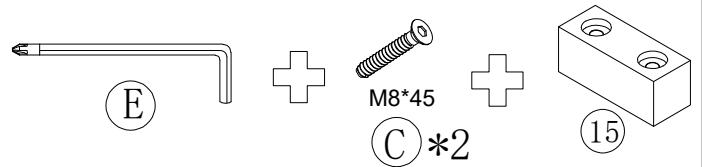
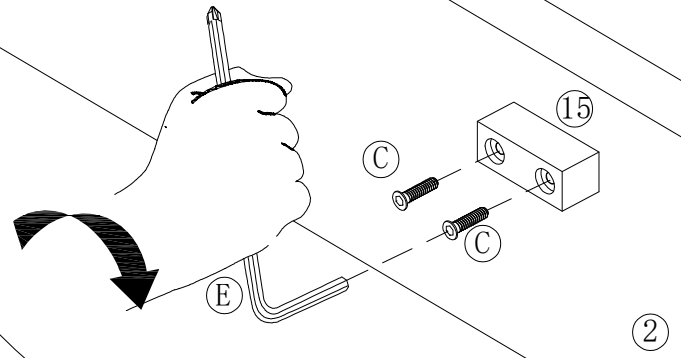
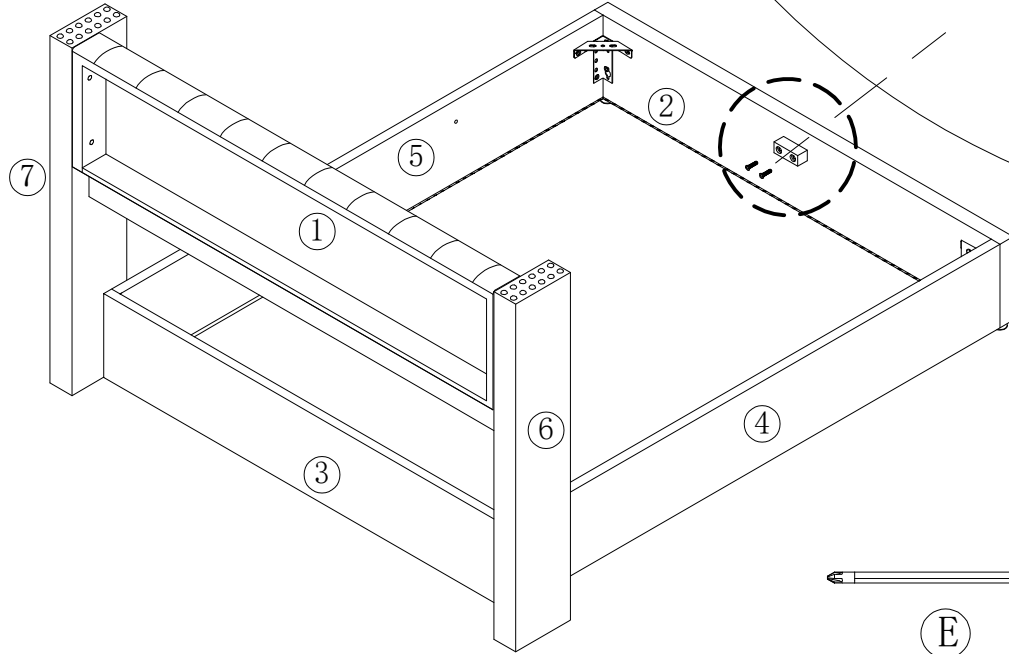
STEP 5



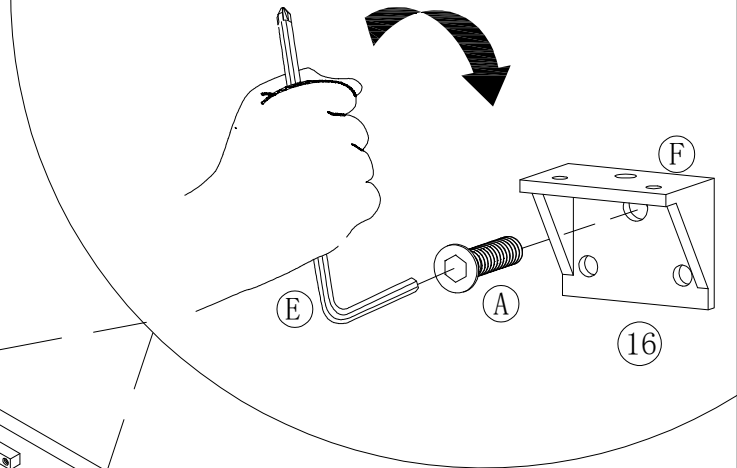
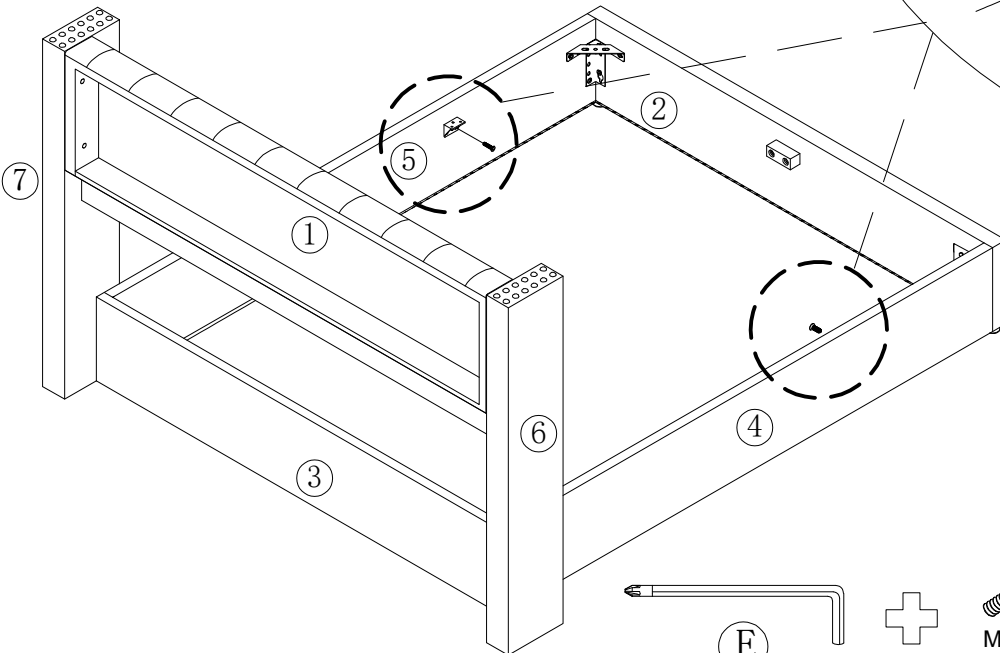
STEP 6



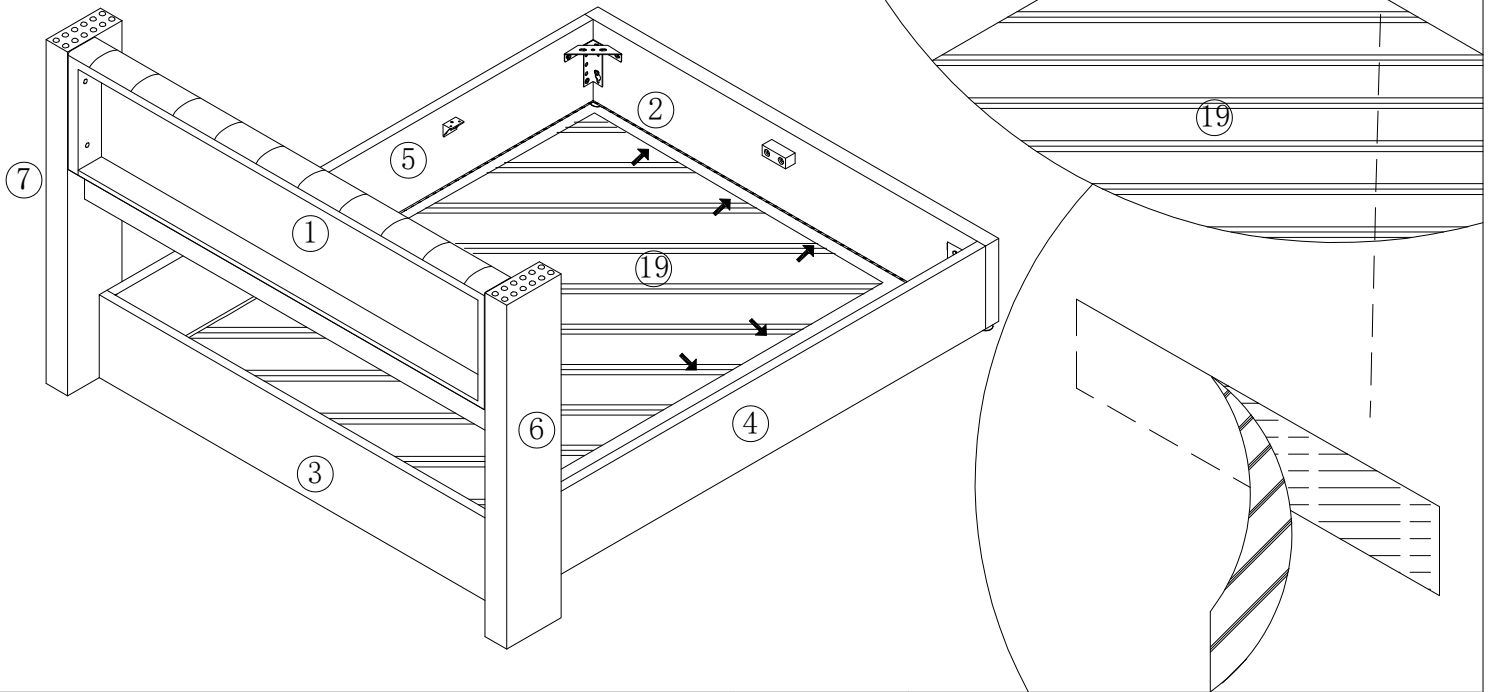
STEP 7



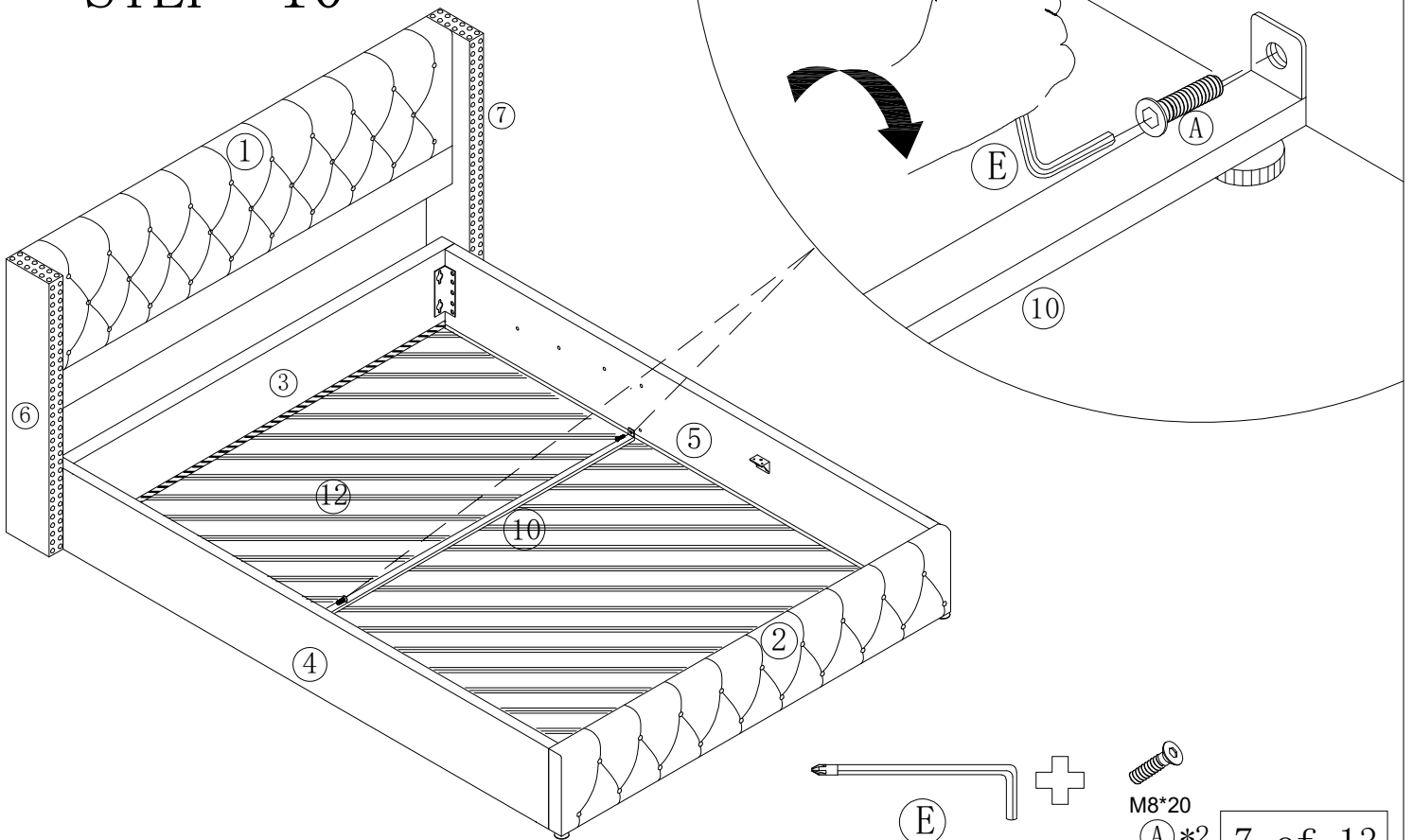
STEP 8



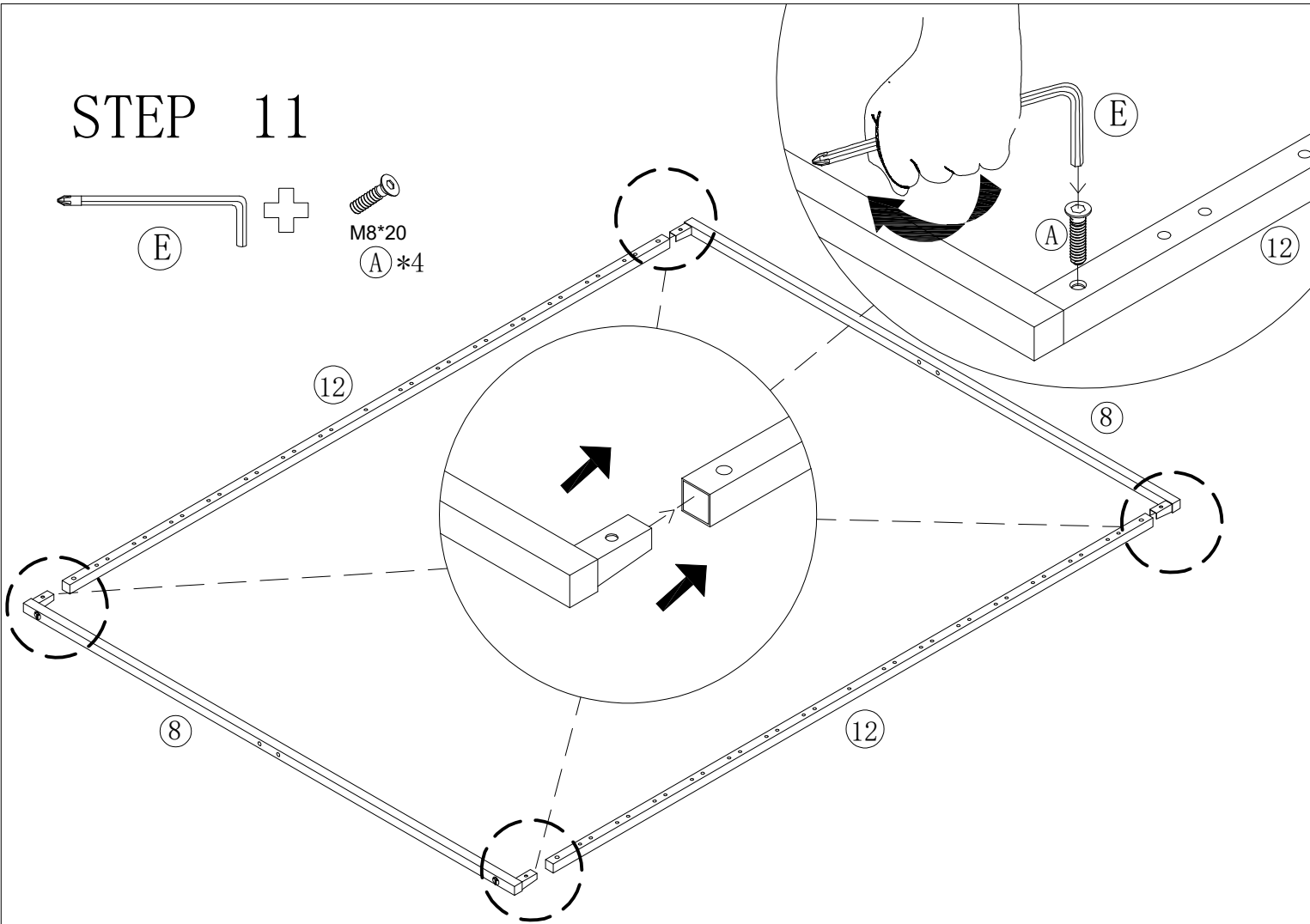
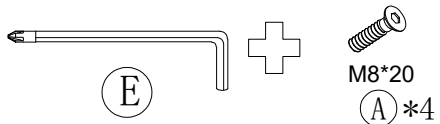
STEP 9



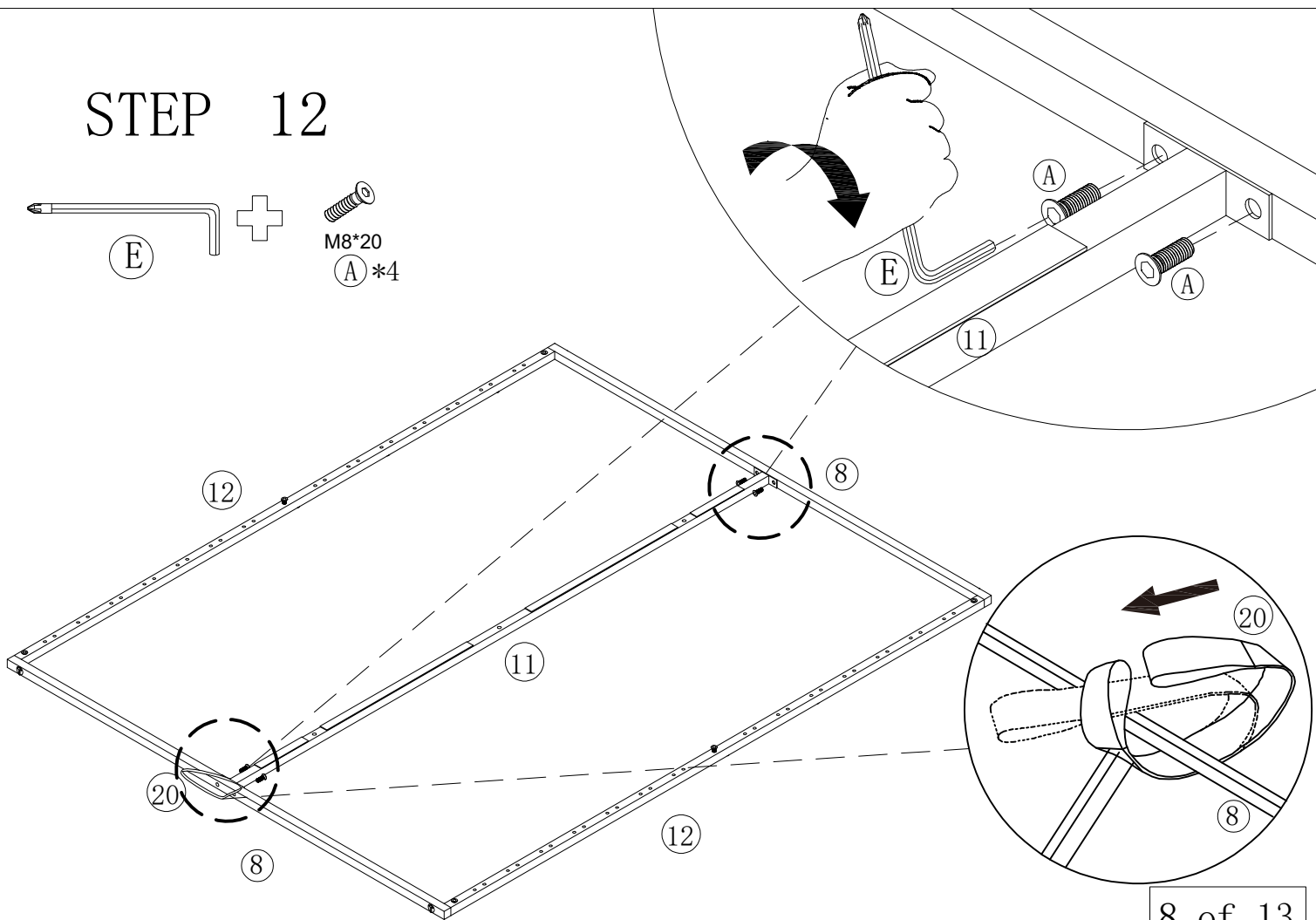
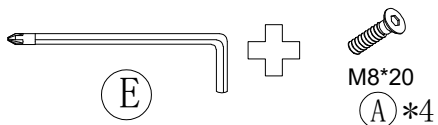
STEP 10



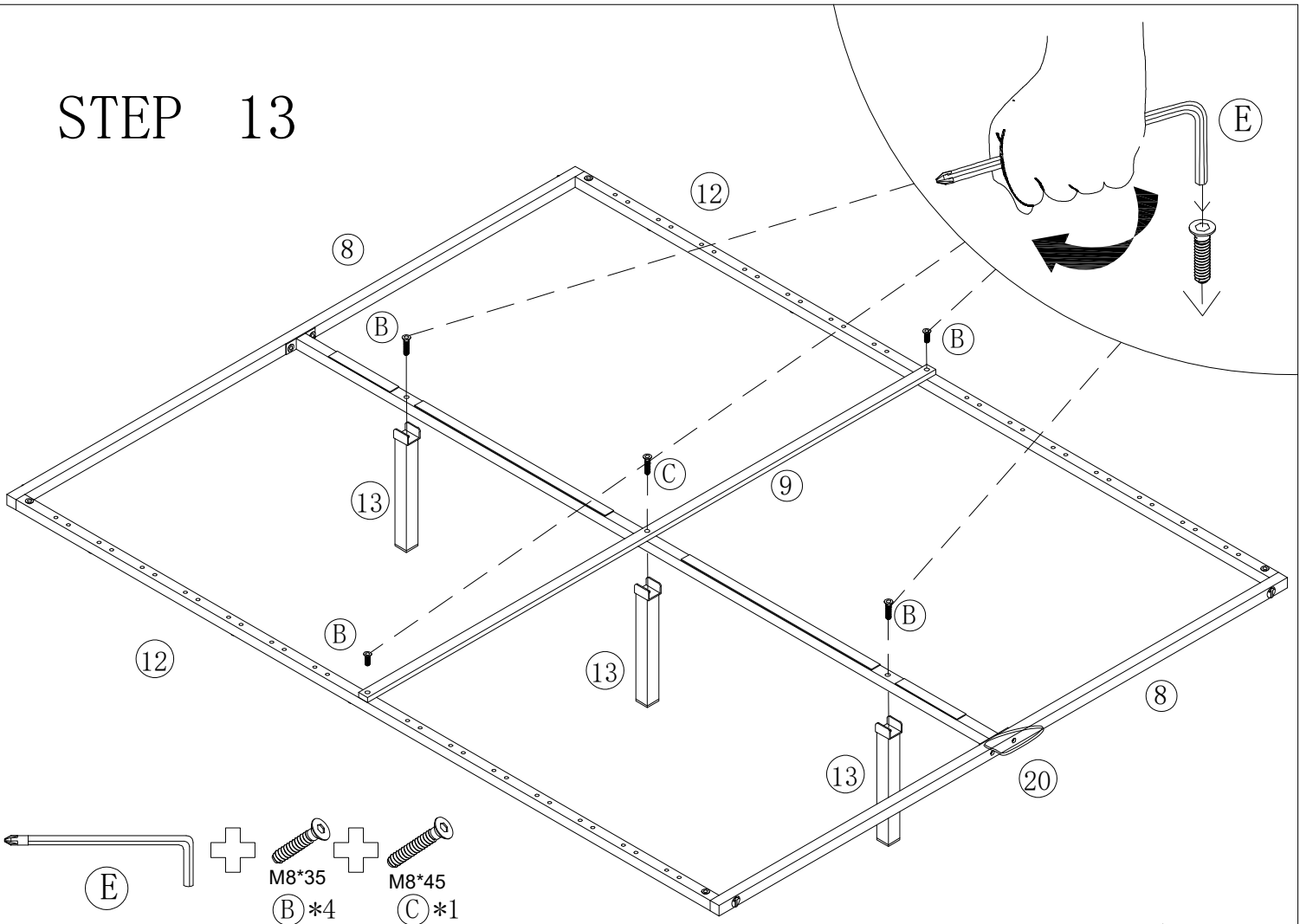
STEP 11



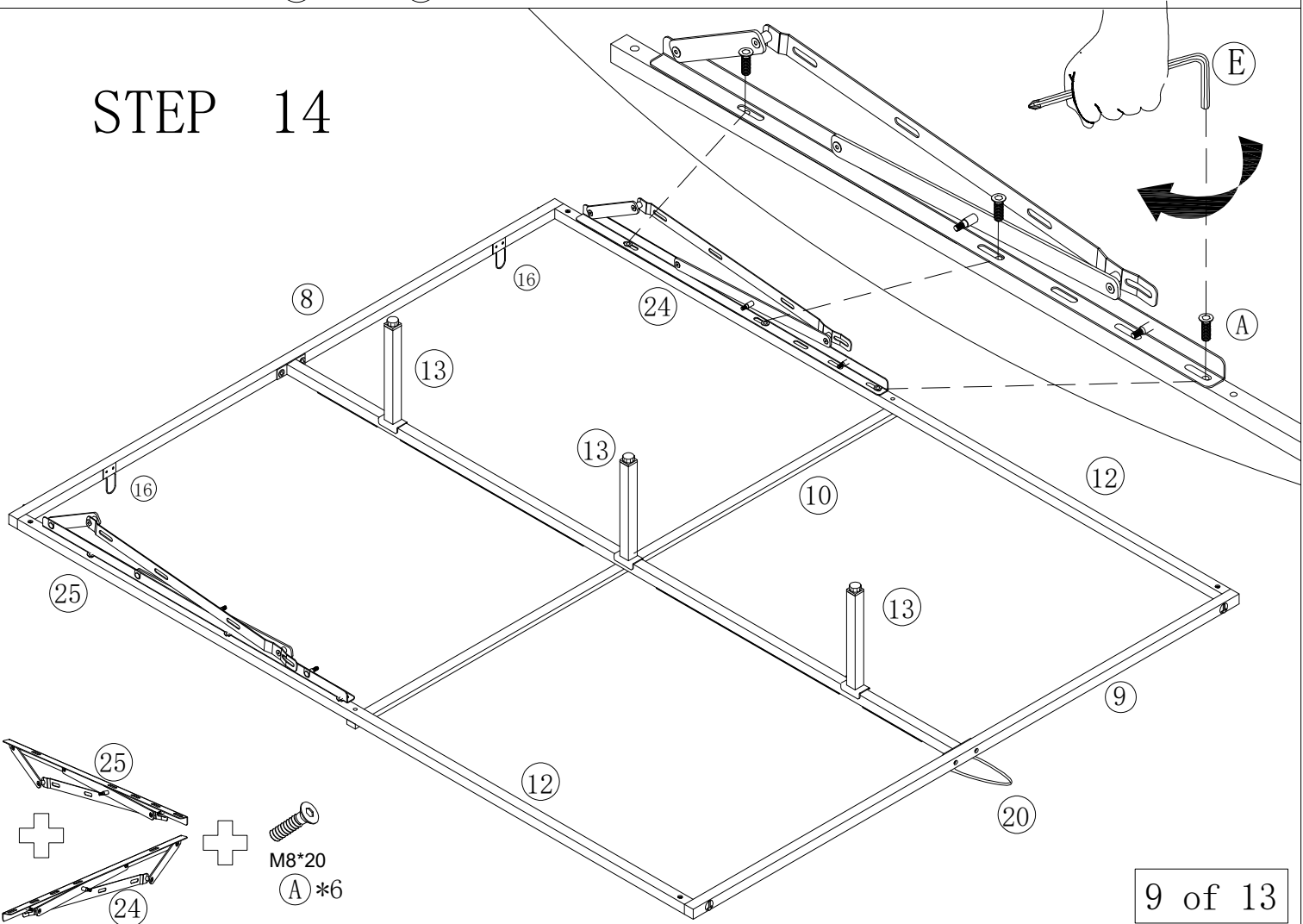
STEP 12



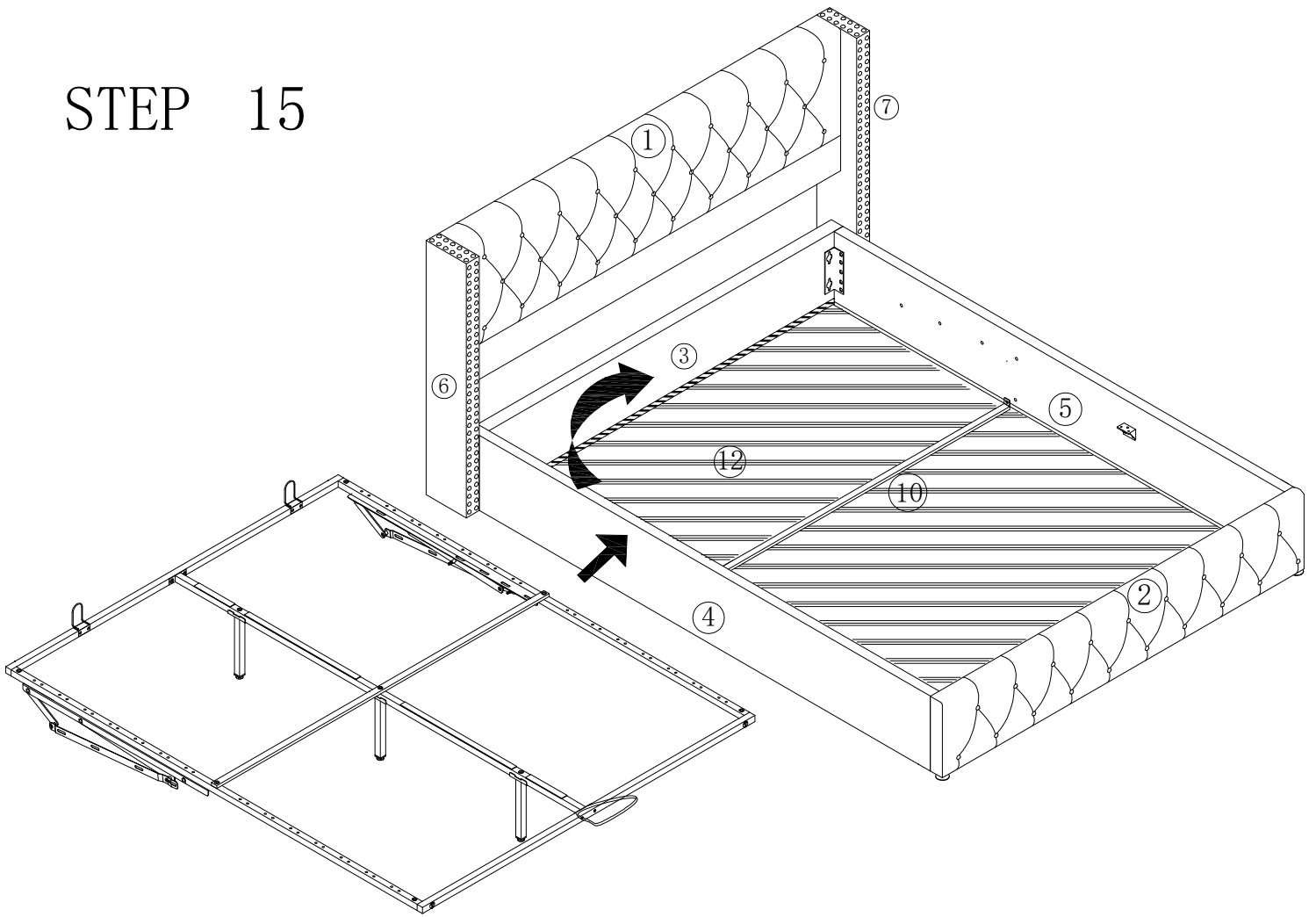
STEP 13



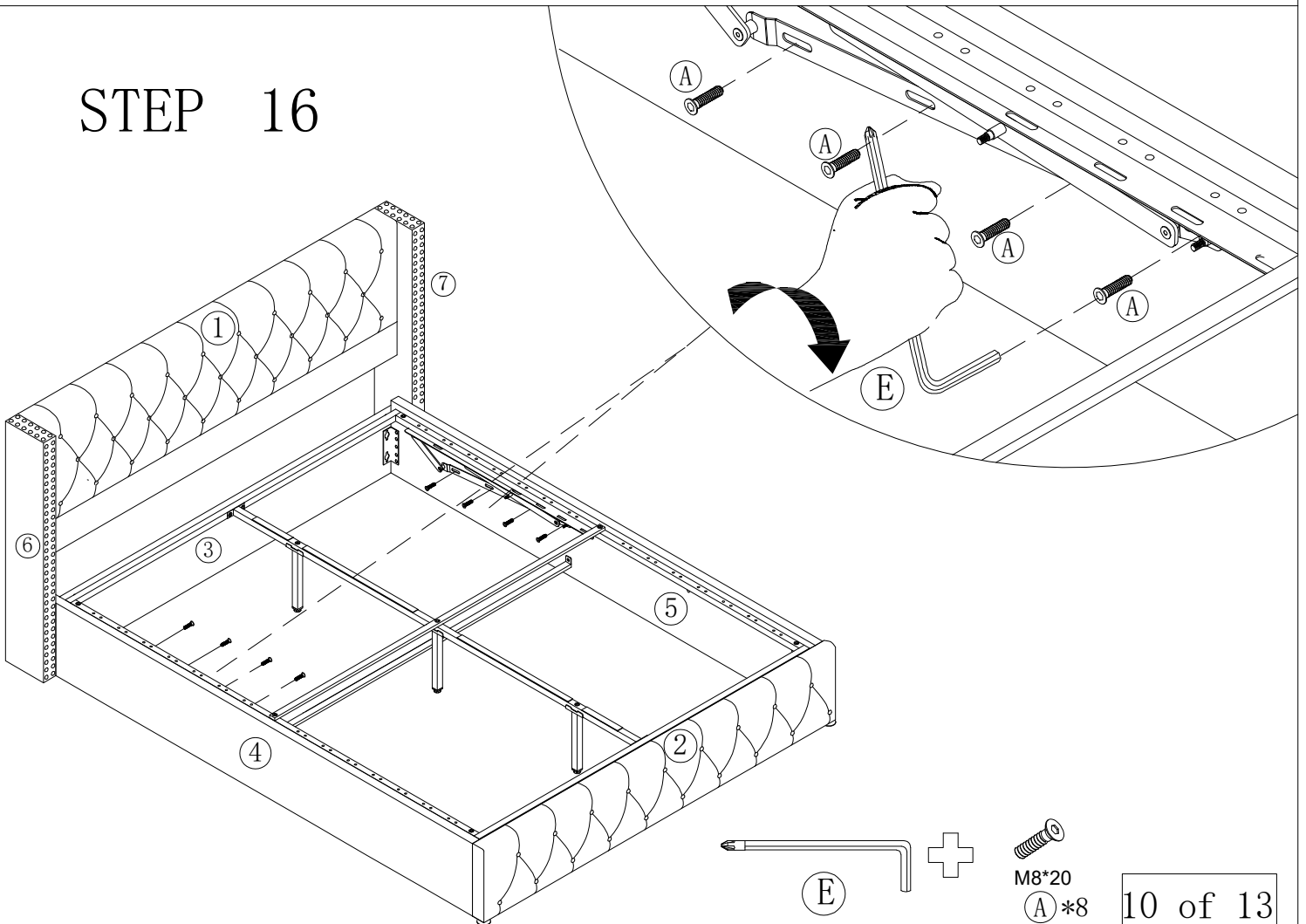
STEP 14



STEP 15



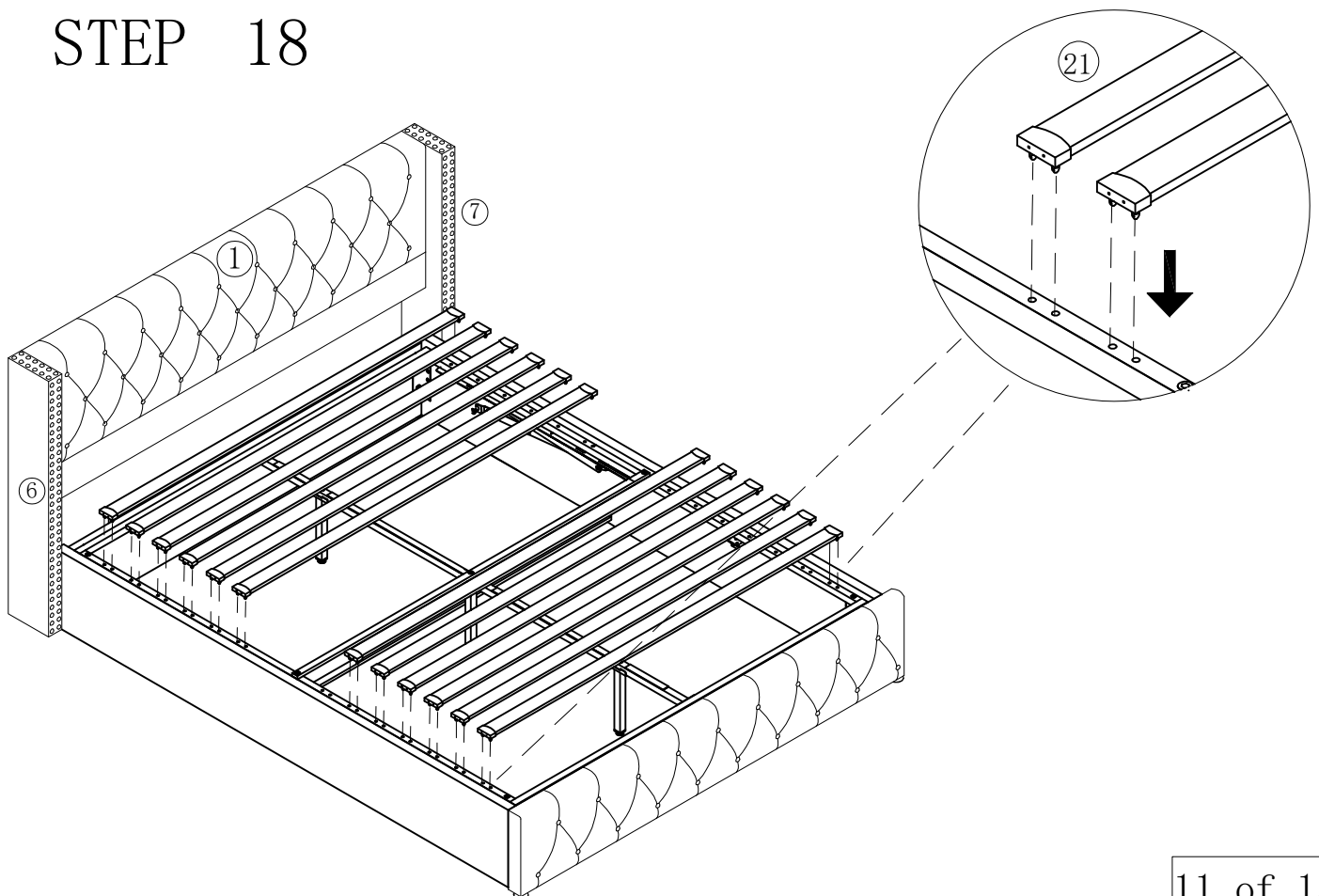
STEP 16



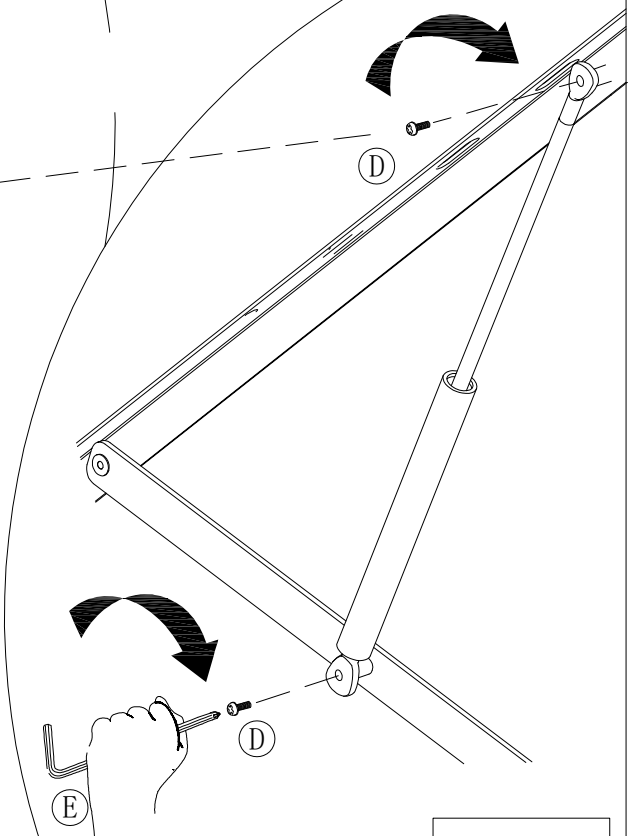
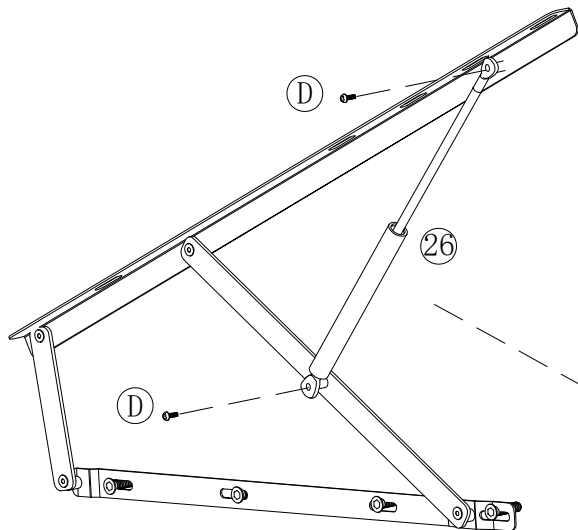
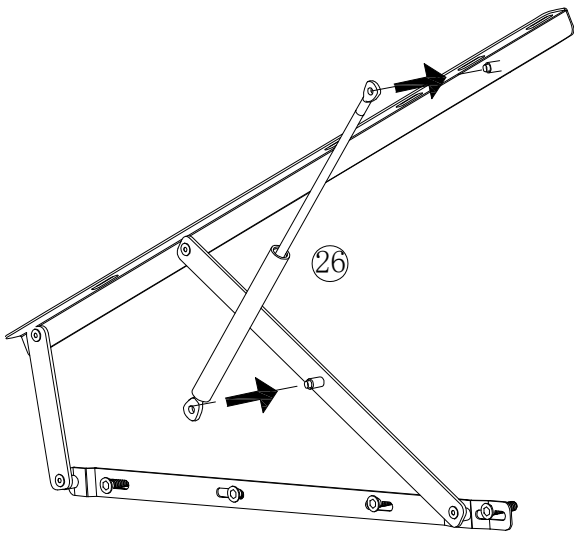
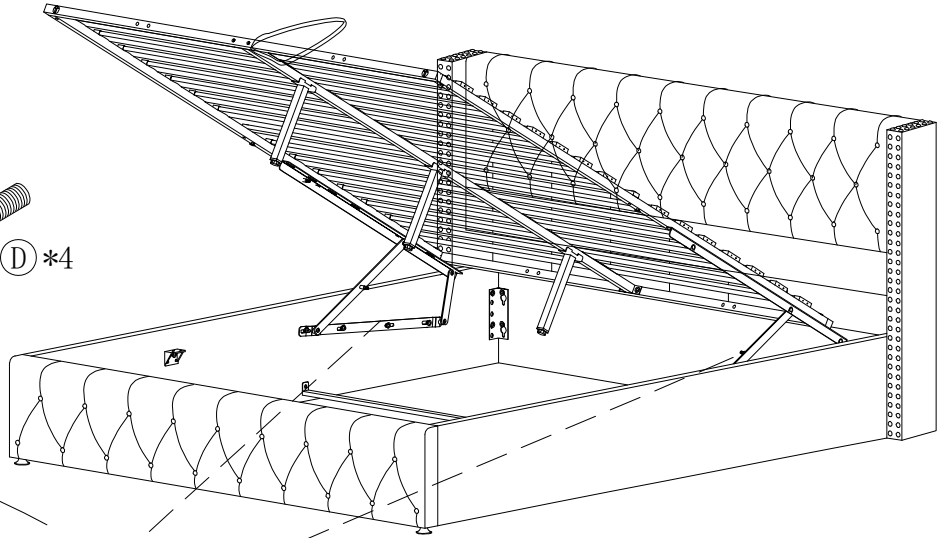
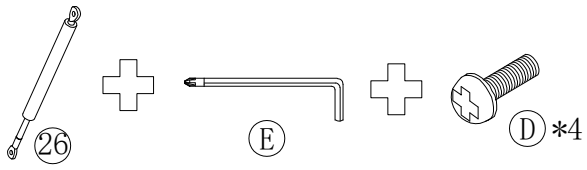
STEP 17



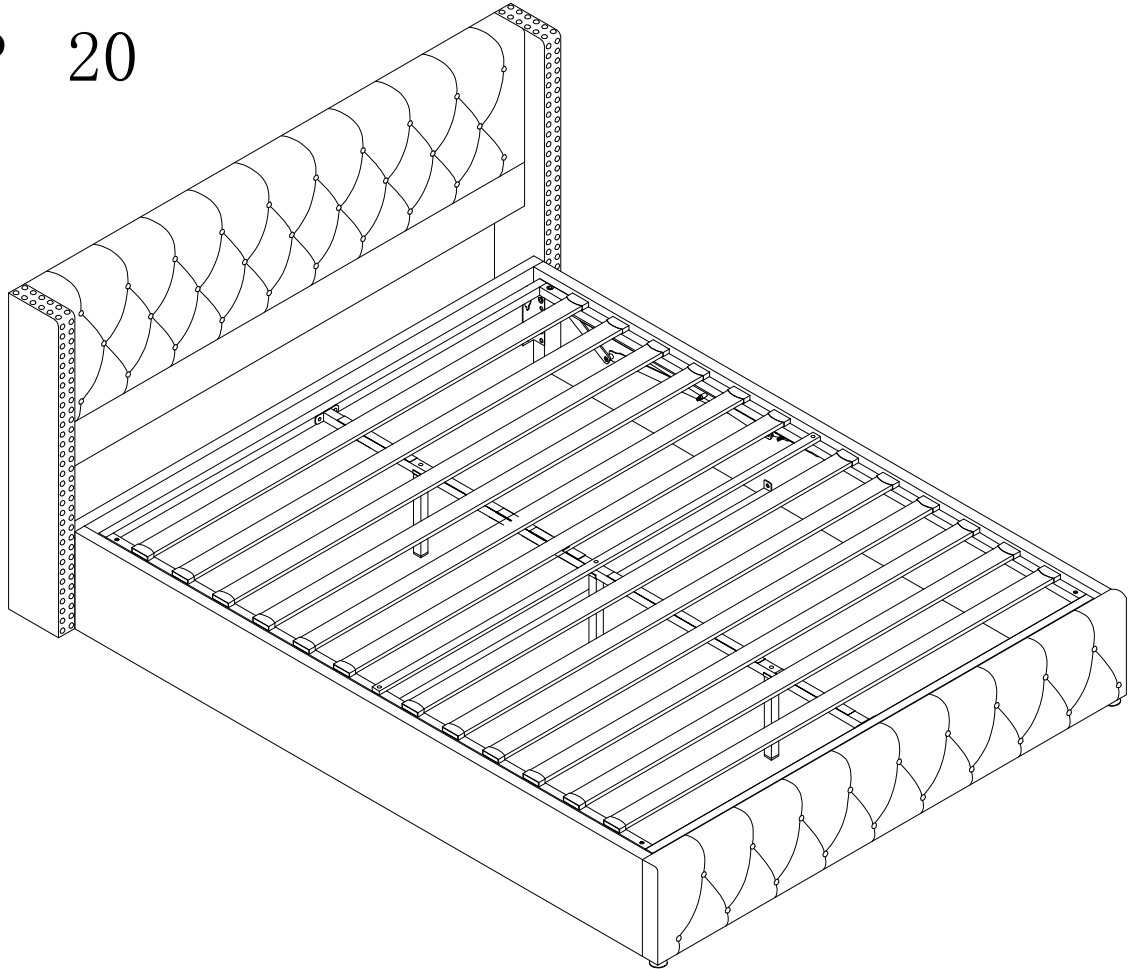
STEP 18



STEP 19



STEP 20



IMPORTANT NOTICE OTTOMAN OPERATING INSTRUCTIONS

Once your bed frame is completely assembled, the slat unit will not operate correctly unless a mattress is placed on the slat frame. Position the mattress on the slat frame whilst it is in the closed position.

PLEASE NOTE - It takes a lot of force to make the initial movement of the ottoman. This is a design feature of the product so that it does not fall shut - the nearer to being closed the ottoman is, the easier it is to move. When the ottoman is almost shut, it will close completely under its own weight.

When lowering the slat unit for the first time, take care to make sure it does not rub unevenly on the inside face of the side rails. If it does, the bed has been assembled slightly out of square. This can be rectified by moving the foot end of the bed slightly to the left or right whilst leaving the head end stationary.

PISTONS

The pistons used in the construction of this product are extremely strong and cannot be operated by hand when taken off the ottoman. All pistons are tested for correct pressure and operation before being attached to the slat unit.

Initially it might appear that the pistons are very stiff when opening and closing the ottoman.

THIS IS PERFECTLY NORMAL

When fully assembled and the mattress is in position, please raise and lower the ottoman 4/5 times to ensure the gas piston are fully lubricated.

