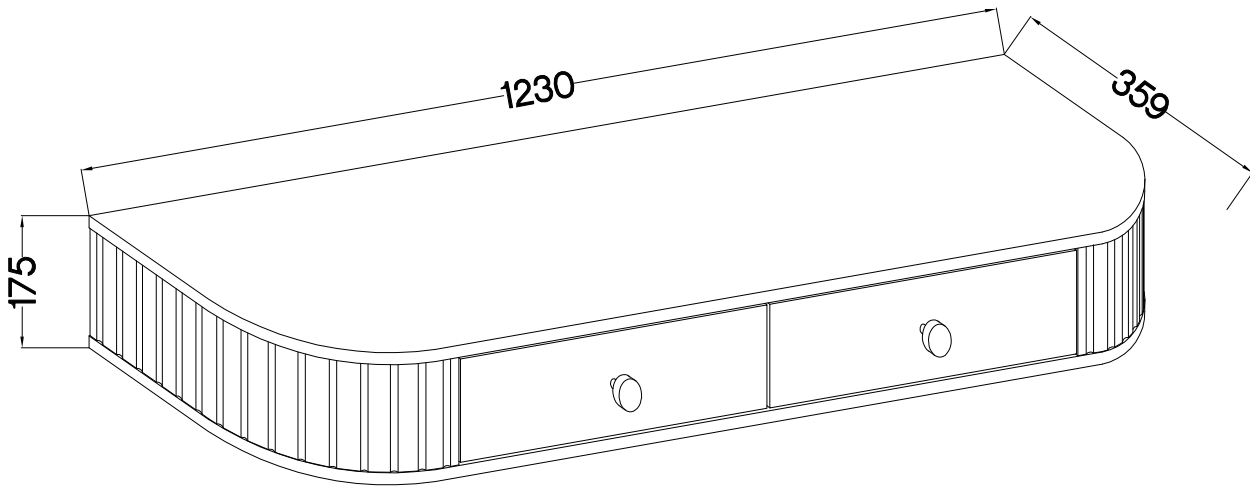
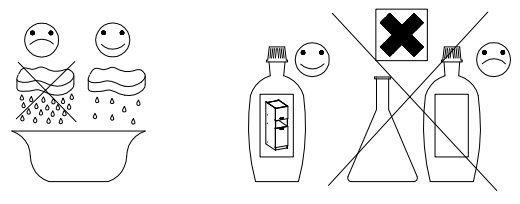
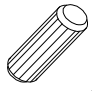

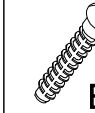
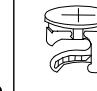
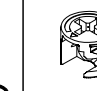
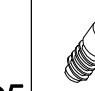
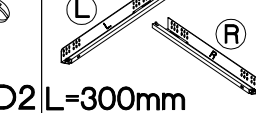
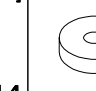
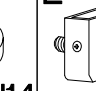

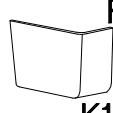
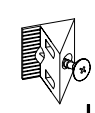


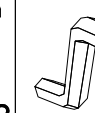
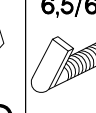
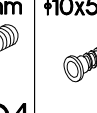



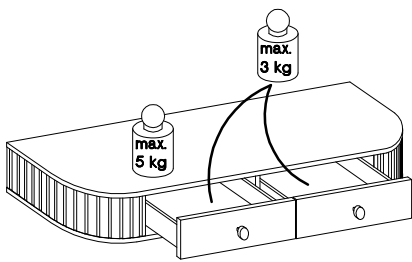
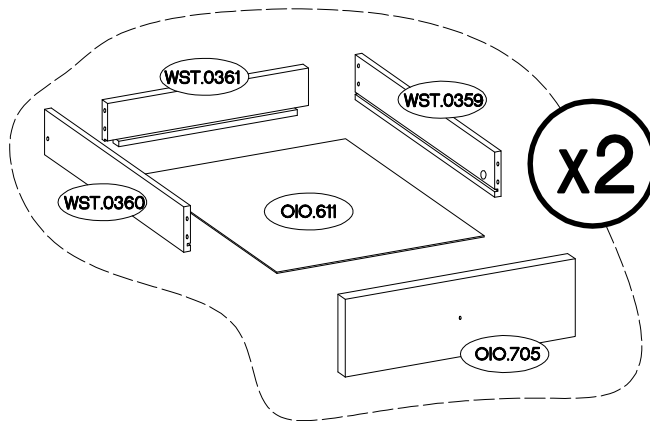
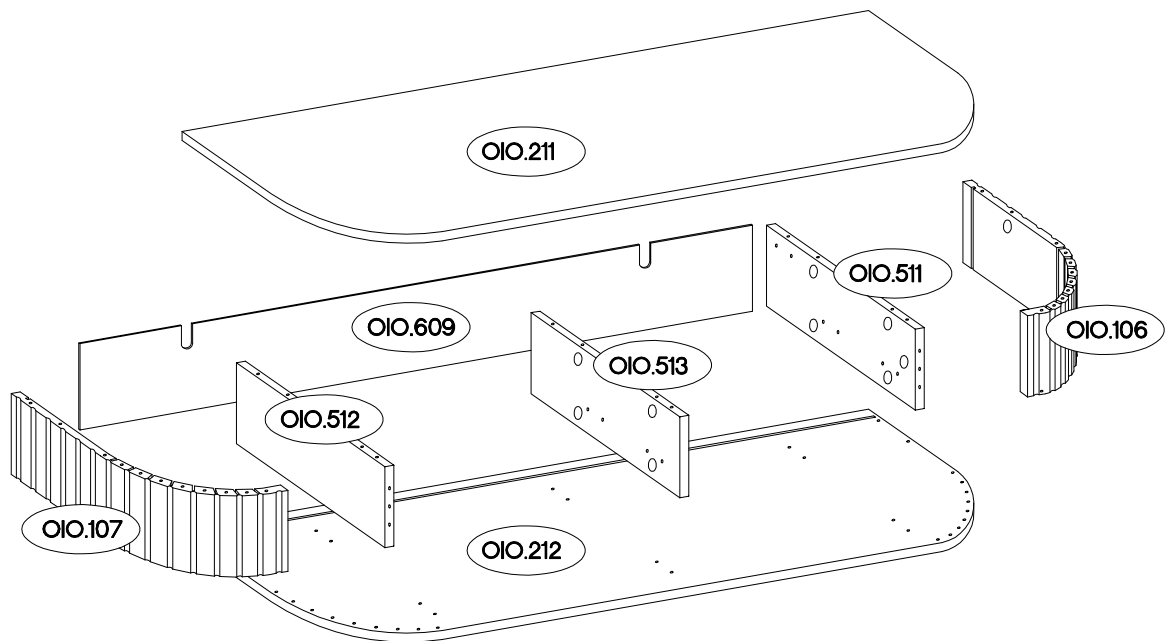



TYP 202

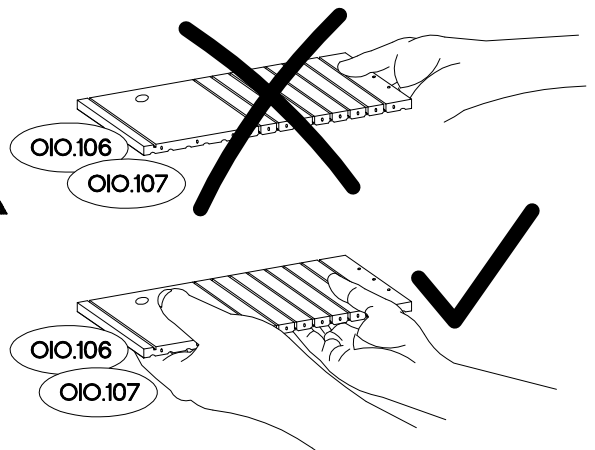


 †8x30mm A 64	 6,4 x 50mm B 2	 †6x42mm B2 4	 †15/12mm C 16	 †12/10mm C5 4	 L=20mm D2 20	 L=300mm L R 2	[CD] †20/8mm J14 8	 L K9 1	 R K10 1	
 L K11 1	 R K12 1	 L 12	 †6.3x13mm M2 8	 †6.3x20mm M3 8	 O 1	 6,5/68mm O4 2	 †10x50mm O7 2	 †3.0x20mm P7 4	 S 2	 M4x22mm U 2


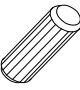
ISM-OIO-007

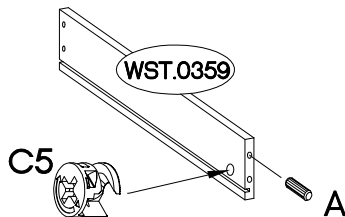
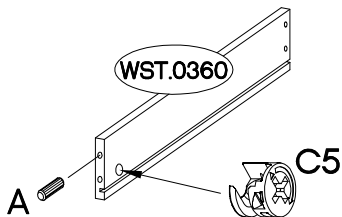
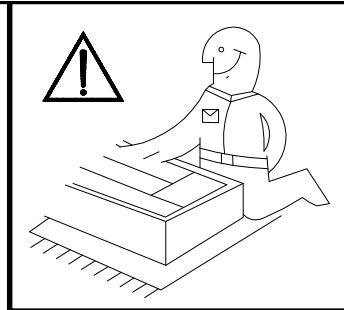
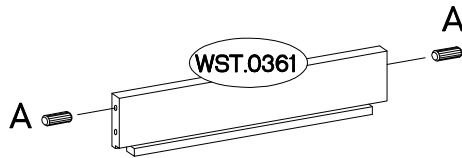


	Ersatzteil Nummer	Dimension
	OIO.211	1230x359x16
	OIO.212	1230x359x16
	OIO.511	143x320x16
	OIO.512	143x320x16
	OIO.513	143x320x16
	OIO.609	152x1205x2,5
	OIO.611 x2	371x298x2,5
	WST.0359 x2	300x80x12
	WST.0360 x2	300x80x12
	WST.0361 x2	360x80x12
	OIO.705 x2	137x412x16
	OIO.106	143x480x16
	OIO.107	143x480x16

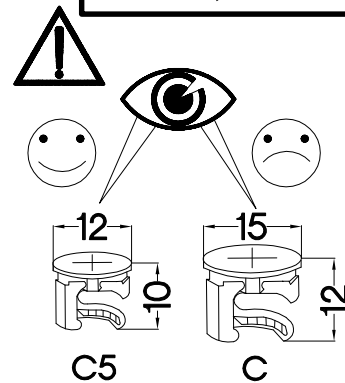


1


+12/10mm  C5 4	+8x30mm  A 8
---	---

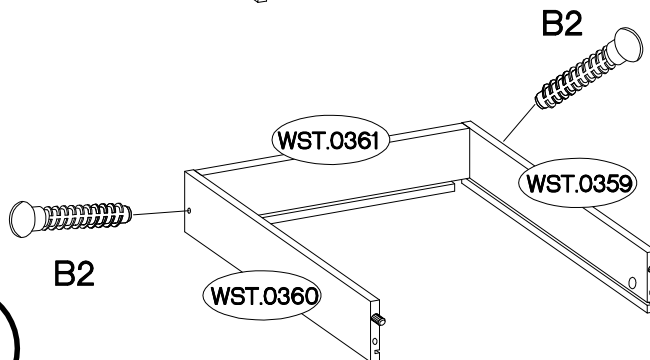
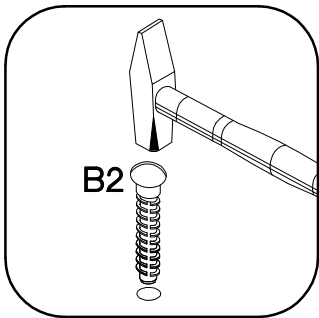
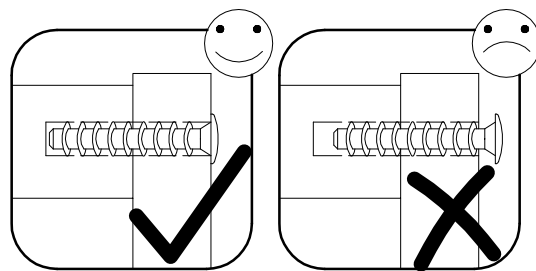
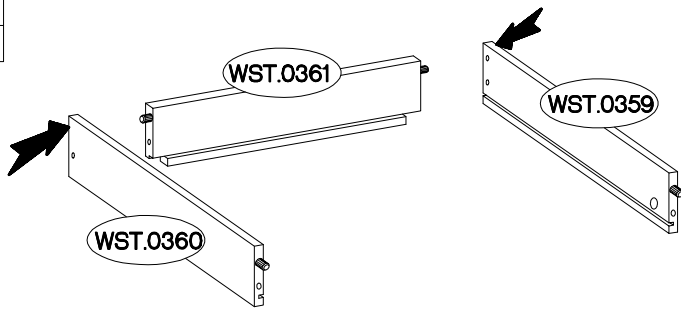


x2




2

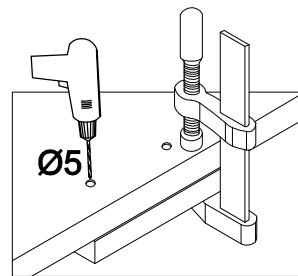
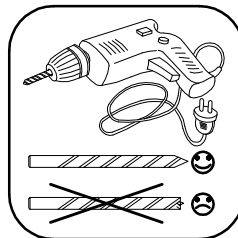
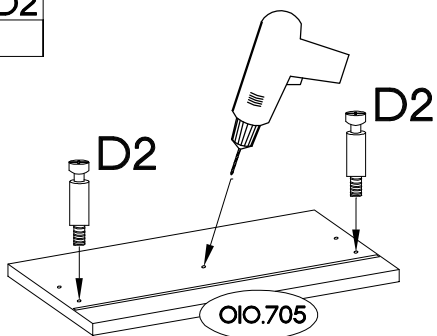
+6x42mm  B2 4
---



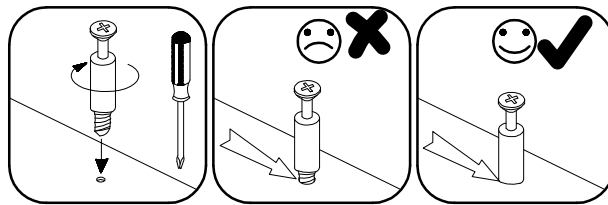
x2

3

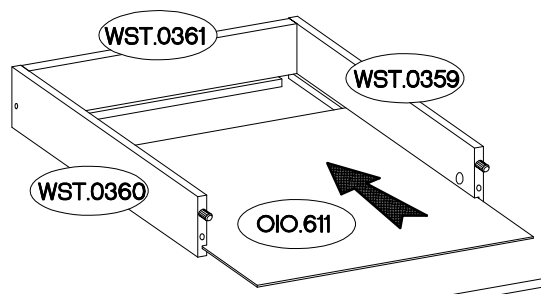
L=20mm  D2 4
--



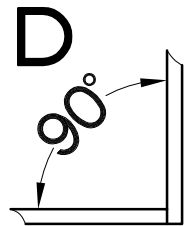
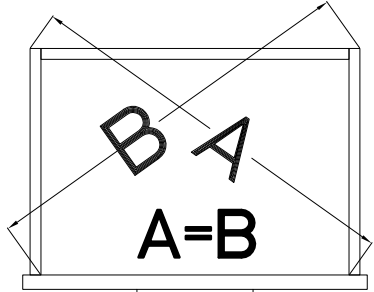
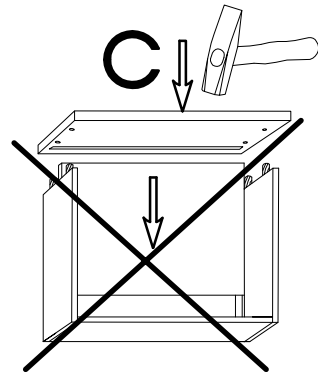
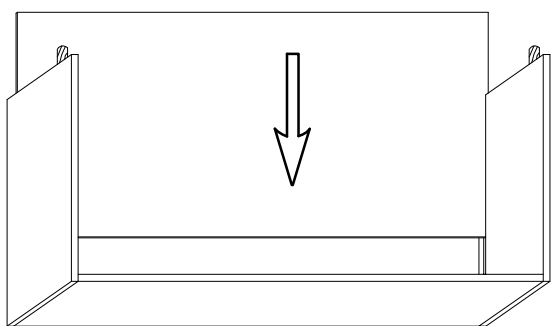
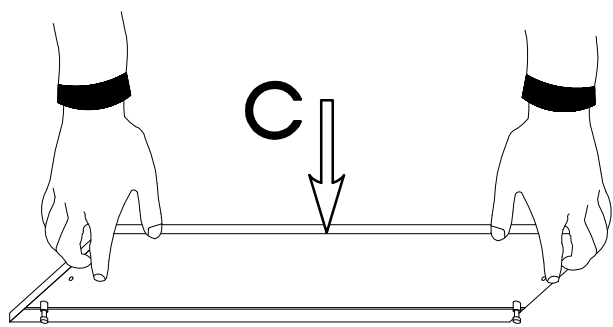
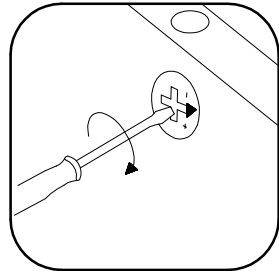
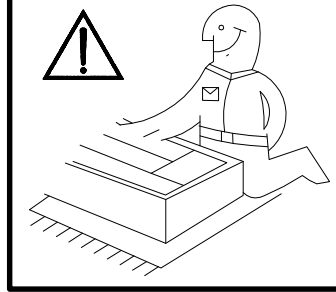
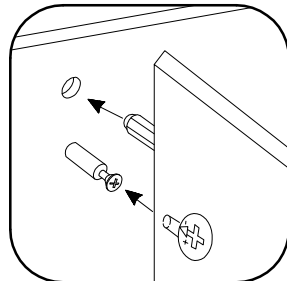
x2



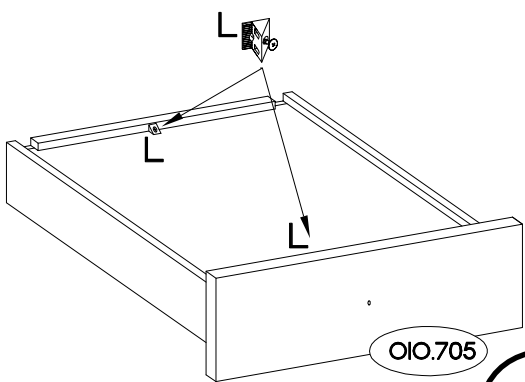
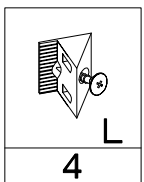
4



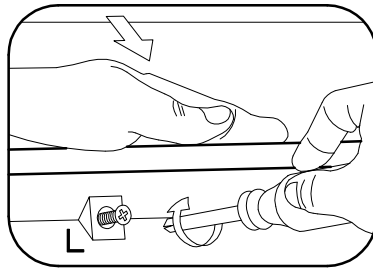
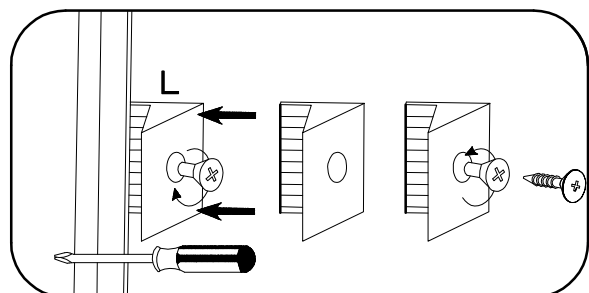
x2

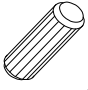


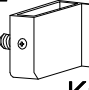
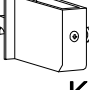


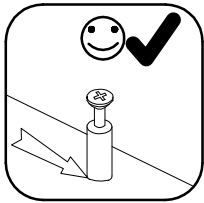
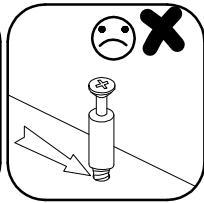
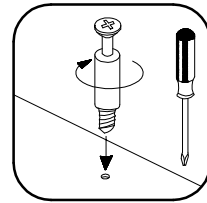
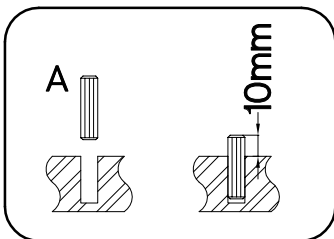
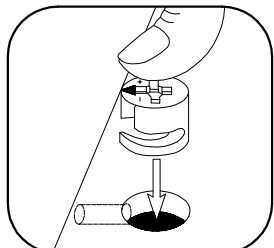
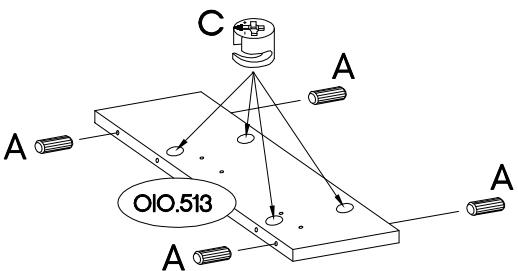
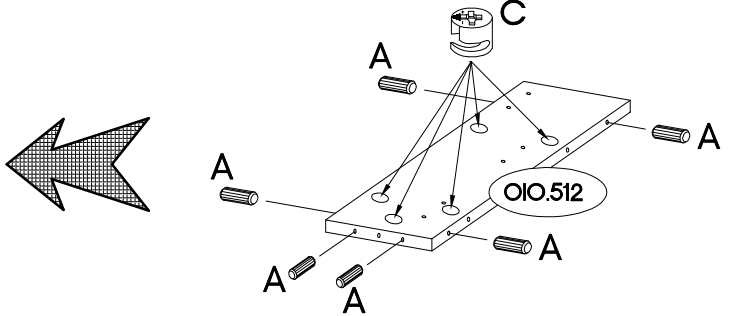
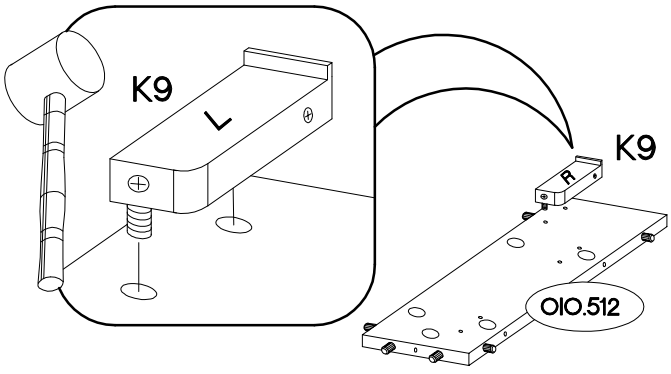
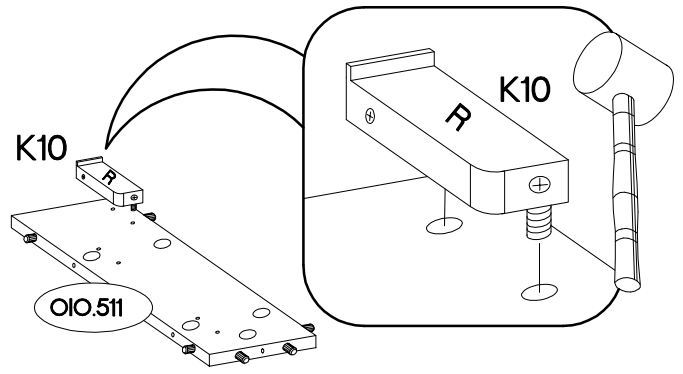
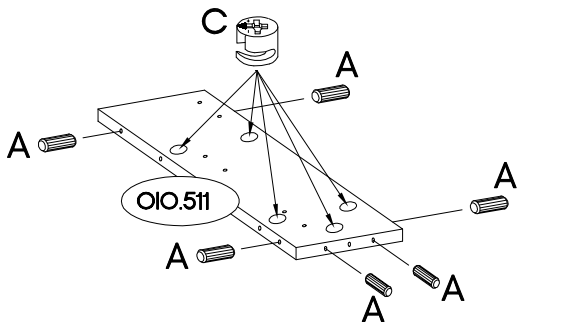
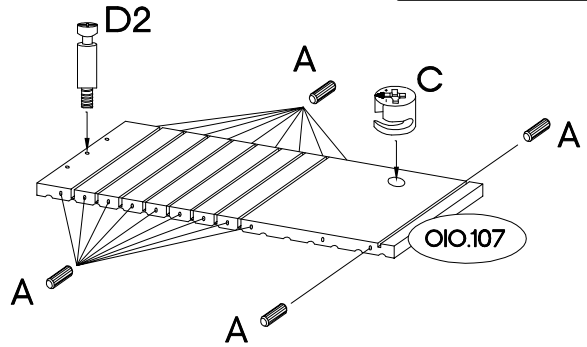
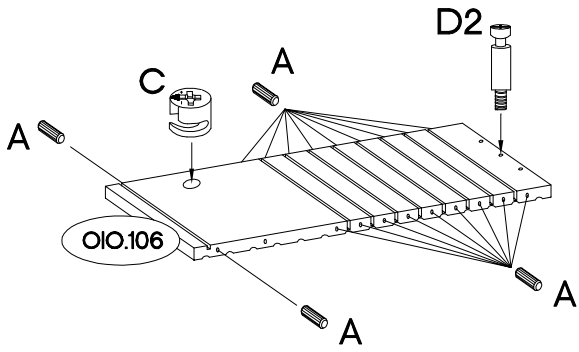
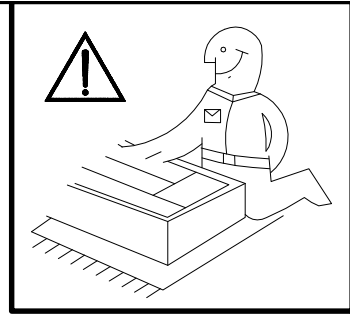
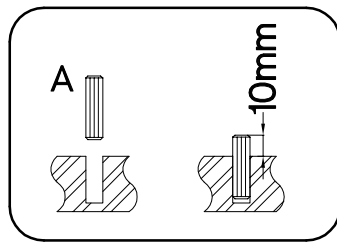
5



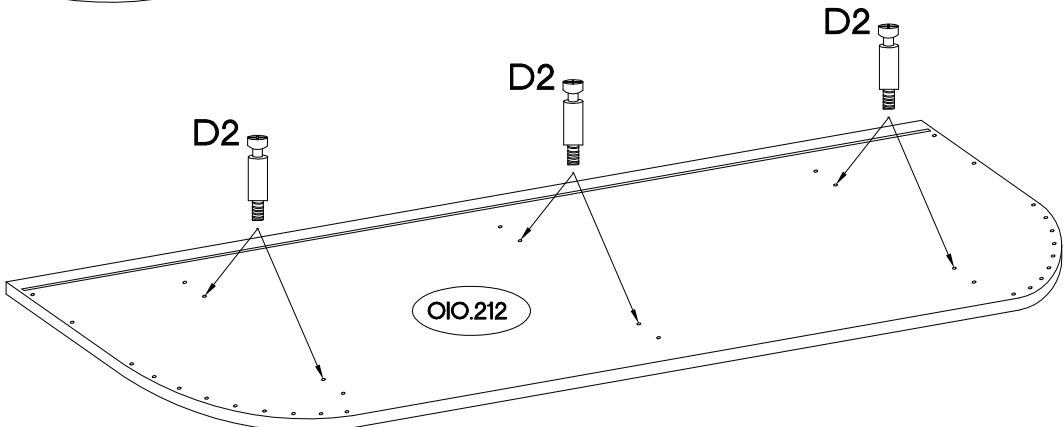
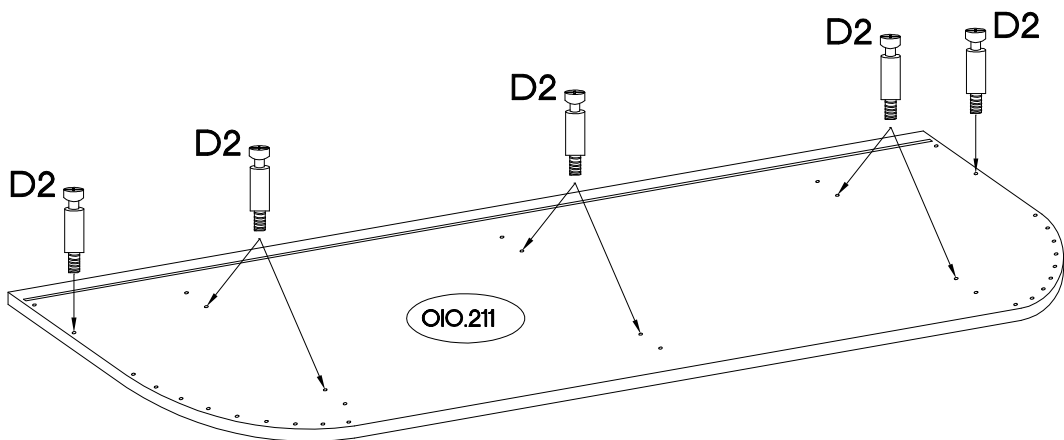
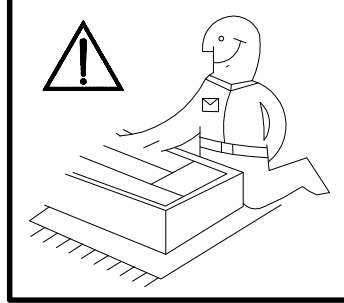
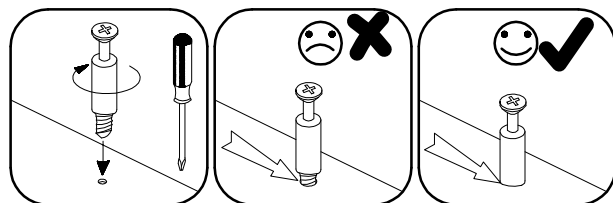
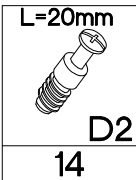
x2



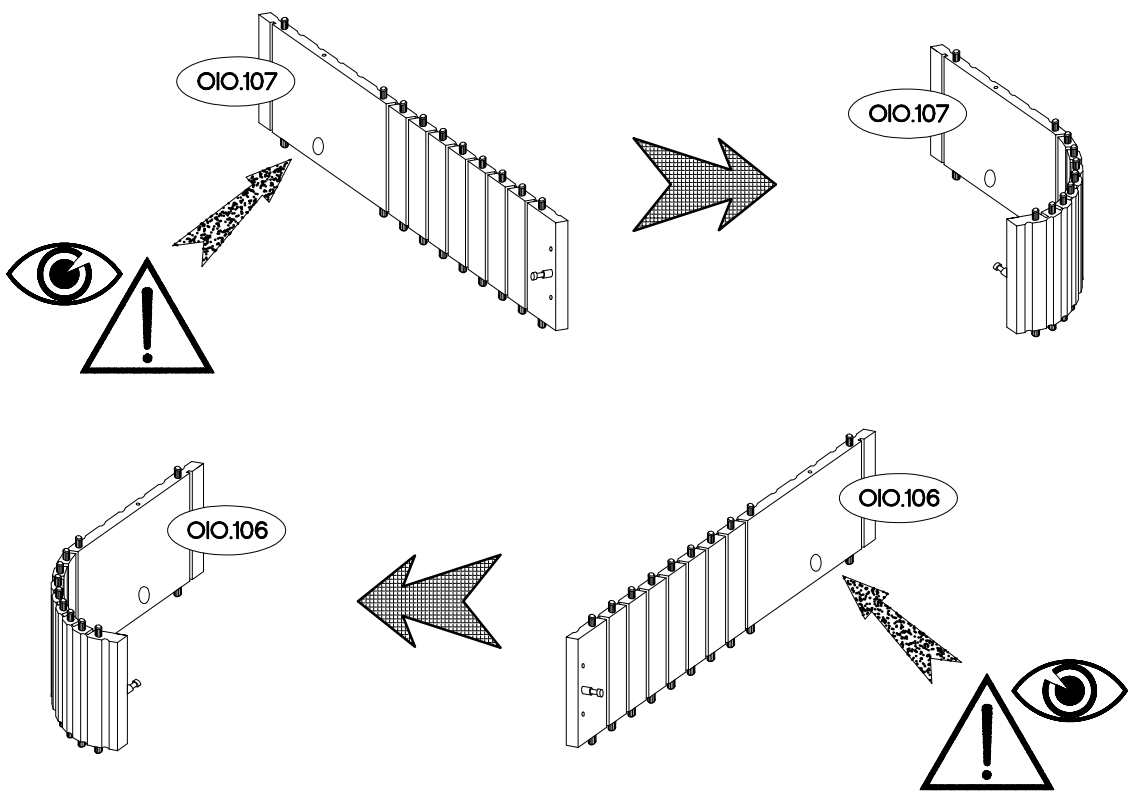
$\pm 8 \times 30 \text{mm}$  A 56	$\pm 15 / 12 \text{mm}$  C 16	$L = 20 \text{mm}$  D2 2	L  K9 1	R  K10 1
--	--	---	--	---

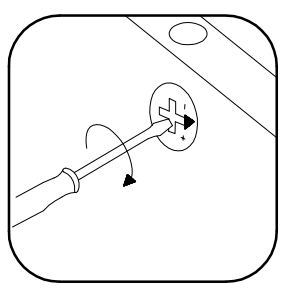
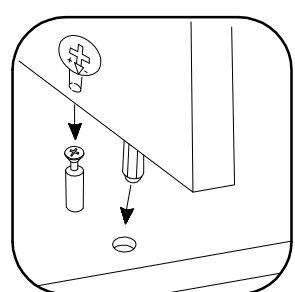
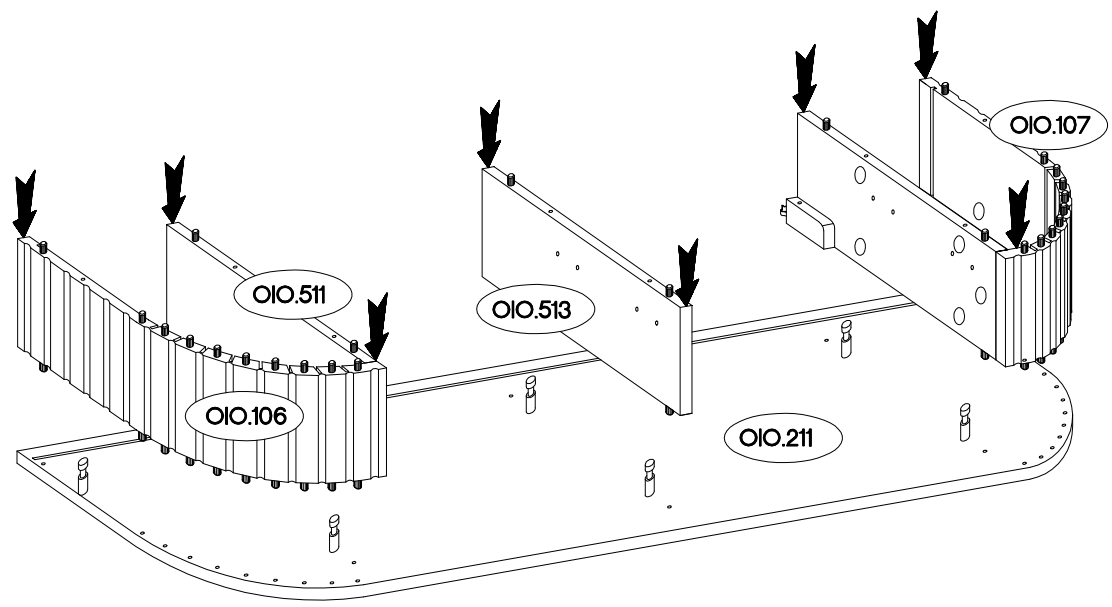
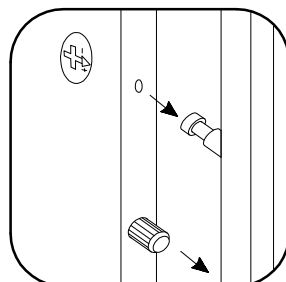
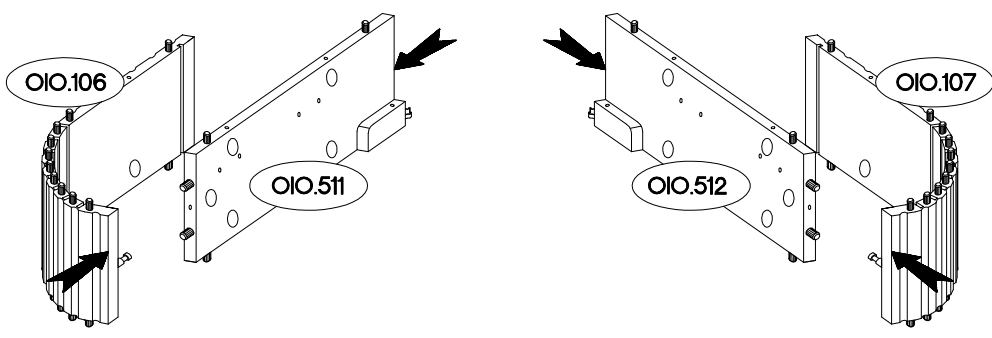


7

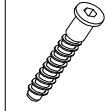


8





6,4 x 50mm



B

2



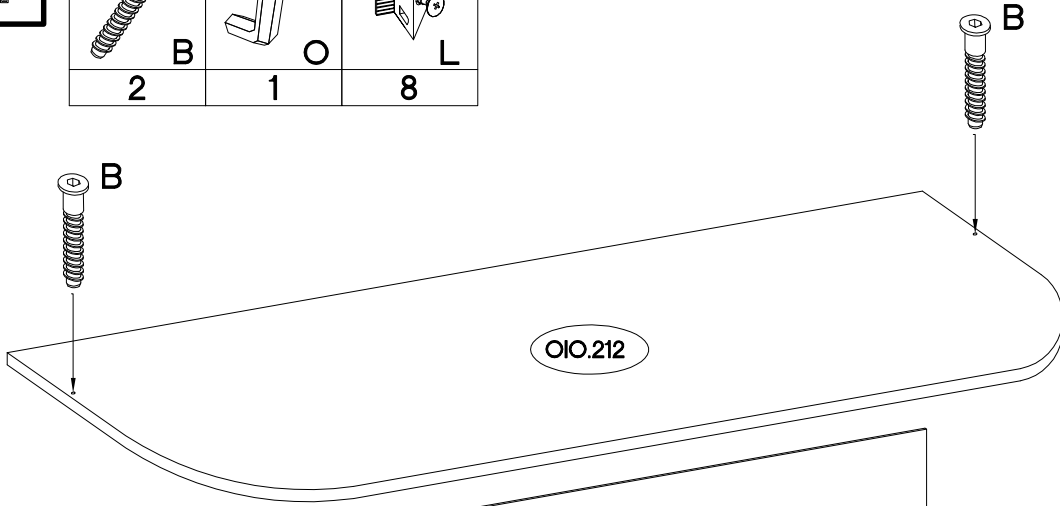
O

1

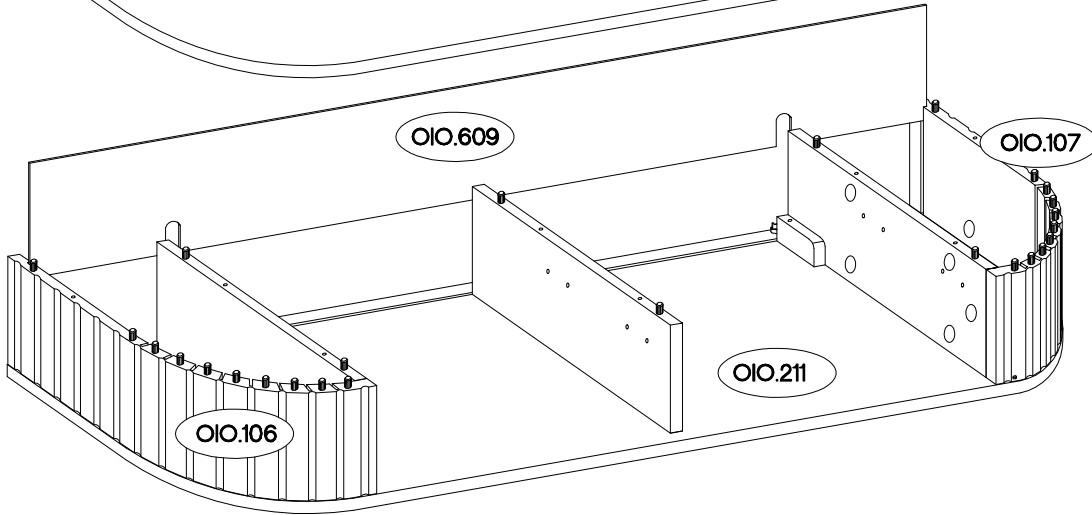


L

8



OIO.212

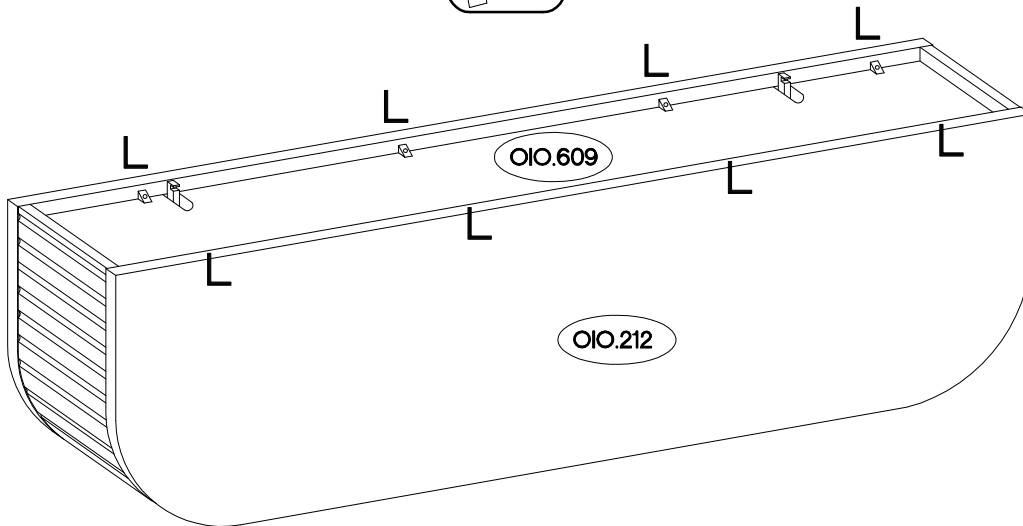
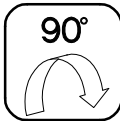


OIO.609

OIO.107

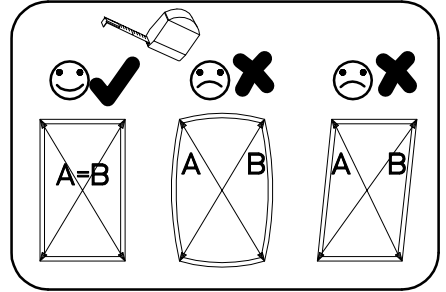
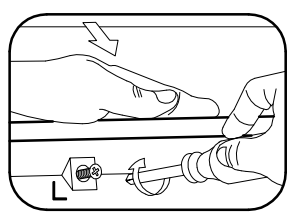
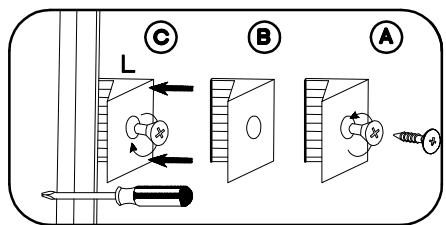
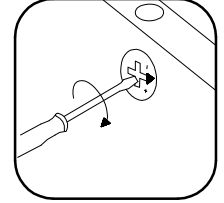
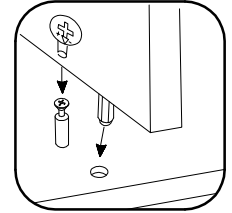
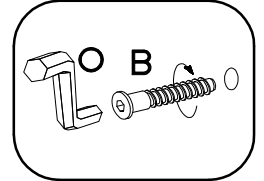
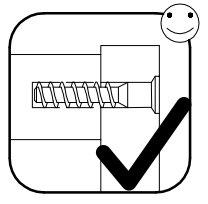
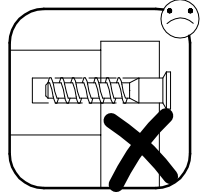
OIO.211




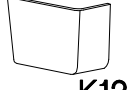
OIO.106

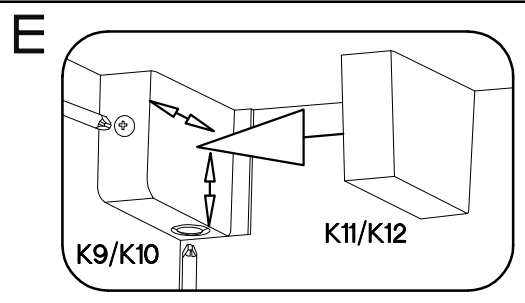
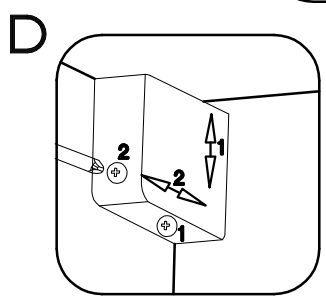
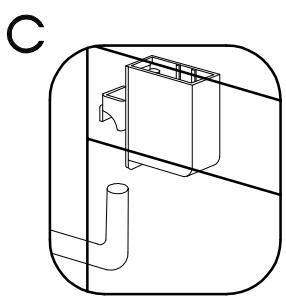
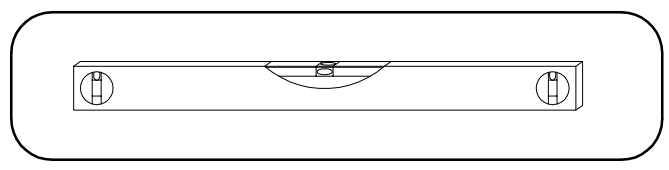
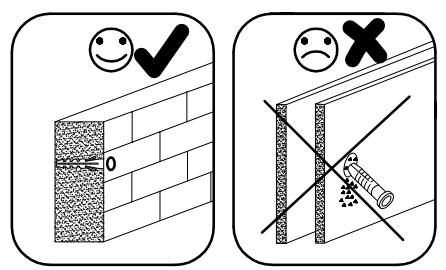
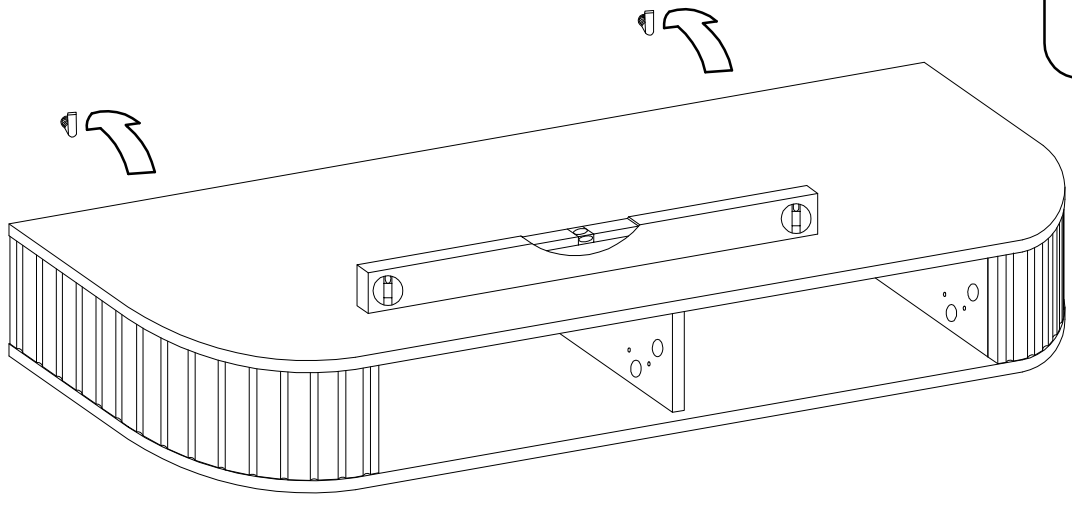
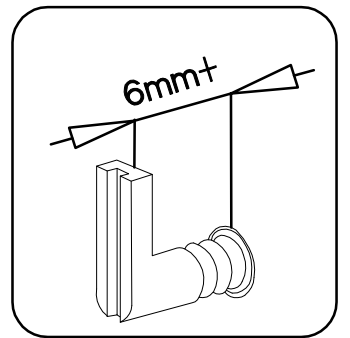
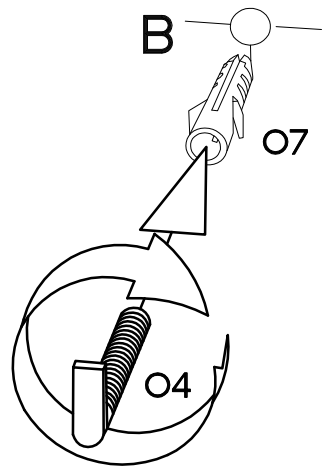
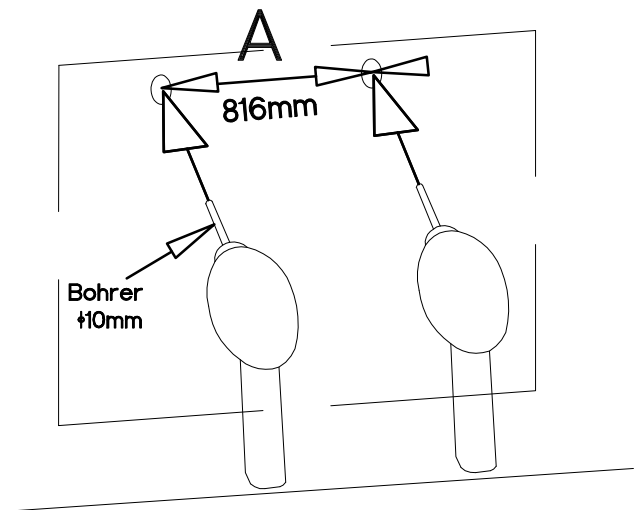


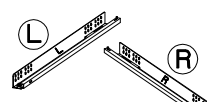
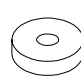


OIO.609

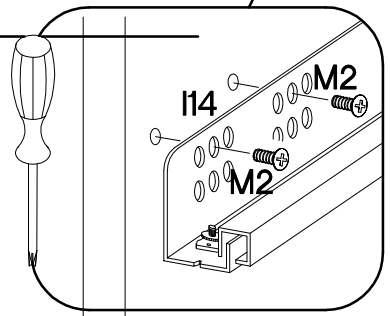
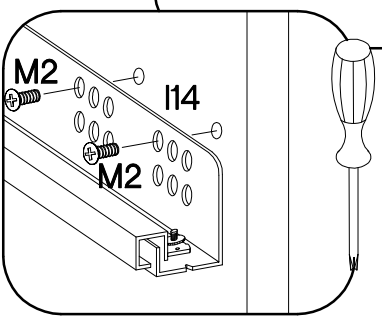
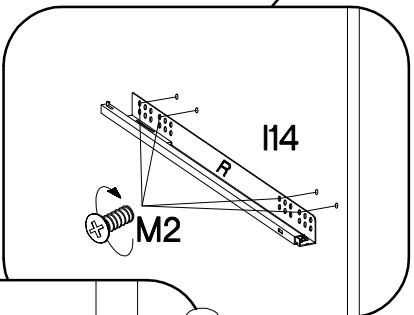
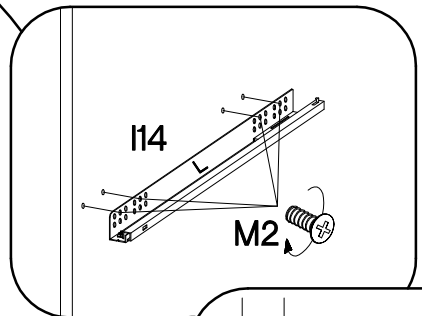
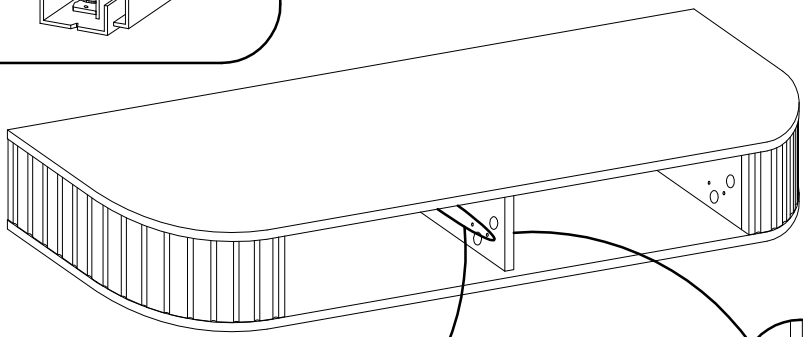
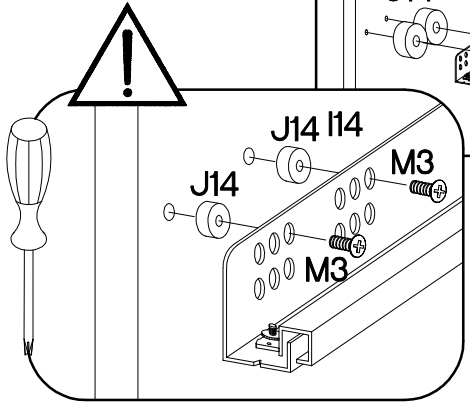
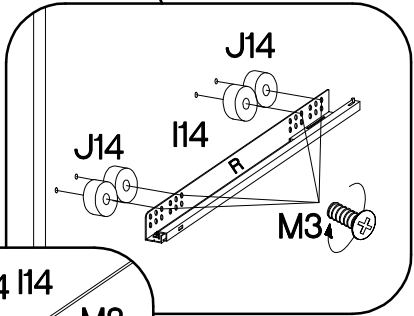
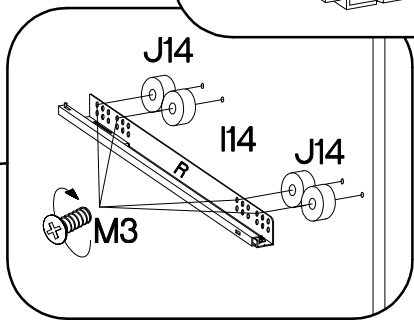
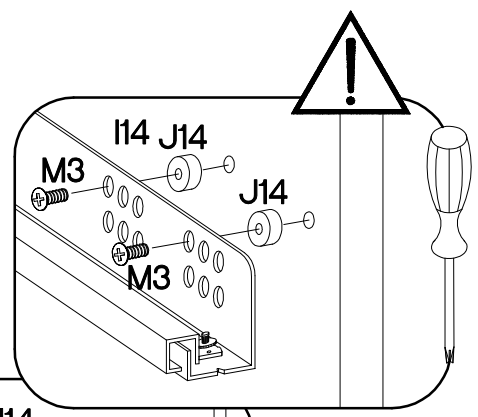
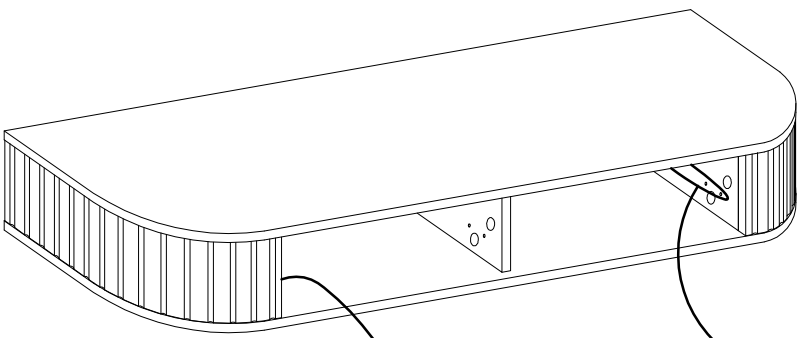
OIO.212

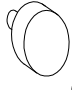




$\pm 10 \times 50 \text{mm}$  O7 2	$6,5/68 \text{mm}$  O4 2	L  K11 1	R  K12 1
---	---	---	---



[CD]	+20/8mm	+6.3x13mm	+6.3x20mm
 L=300mm 2	 J14 8	 M2 8	 M3 8



 S	M4x22mm  U	+3.0x20mm  P7
2	2	4

