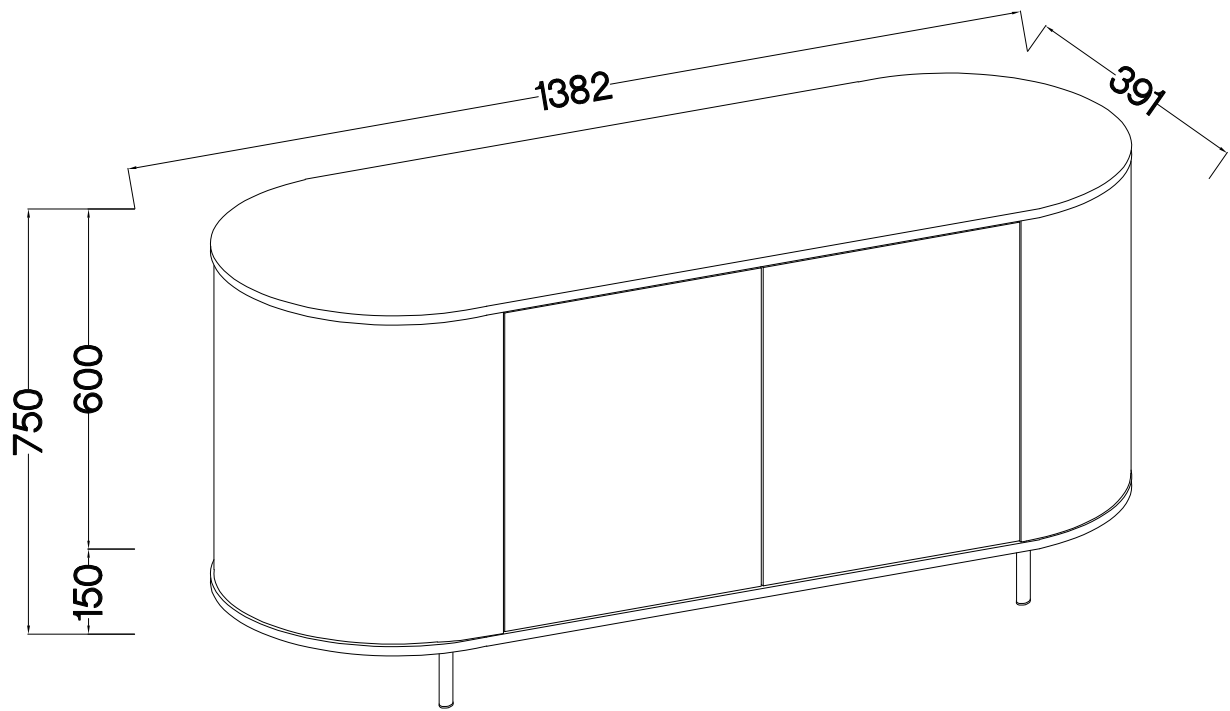
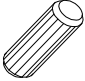

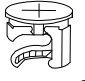
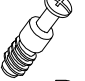




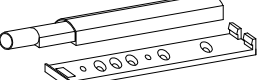





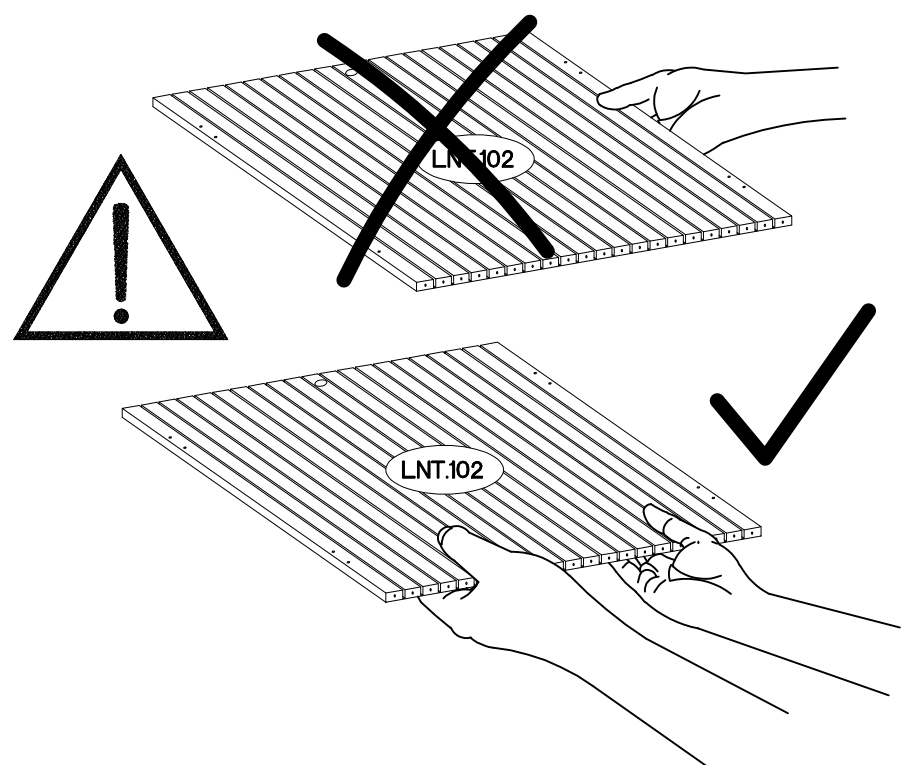
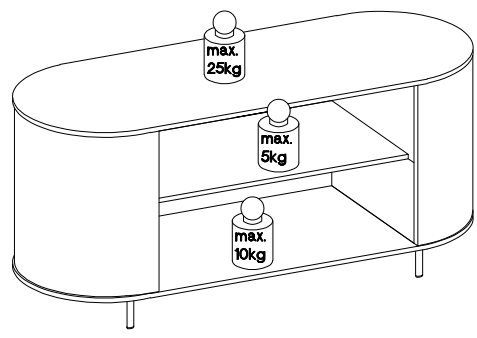
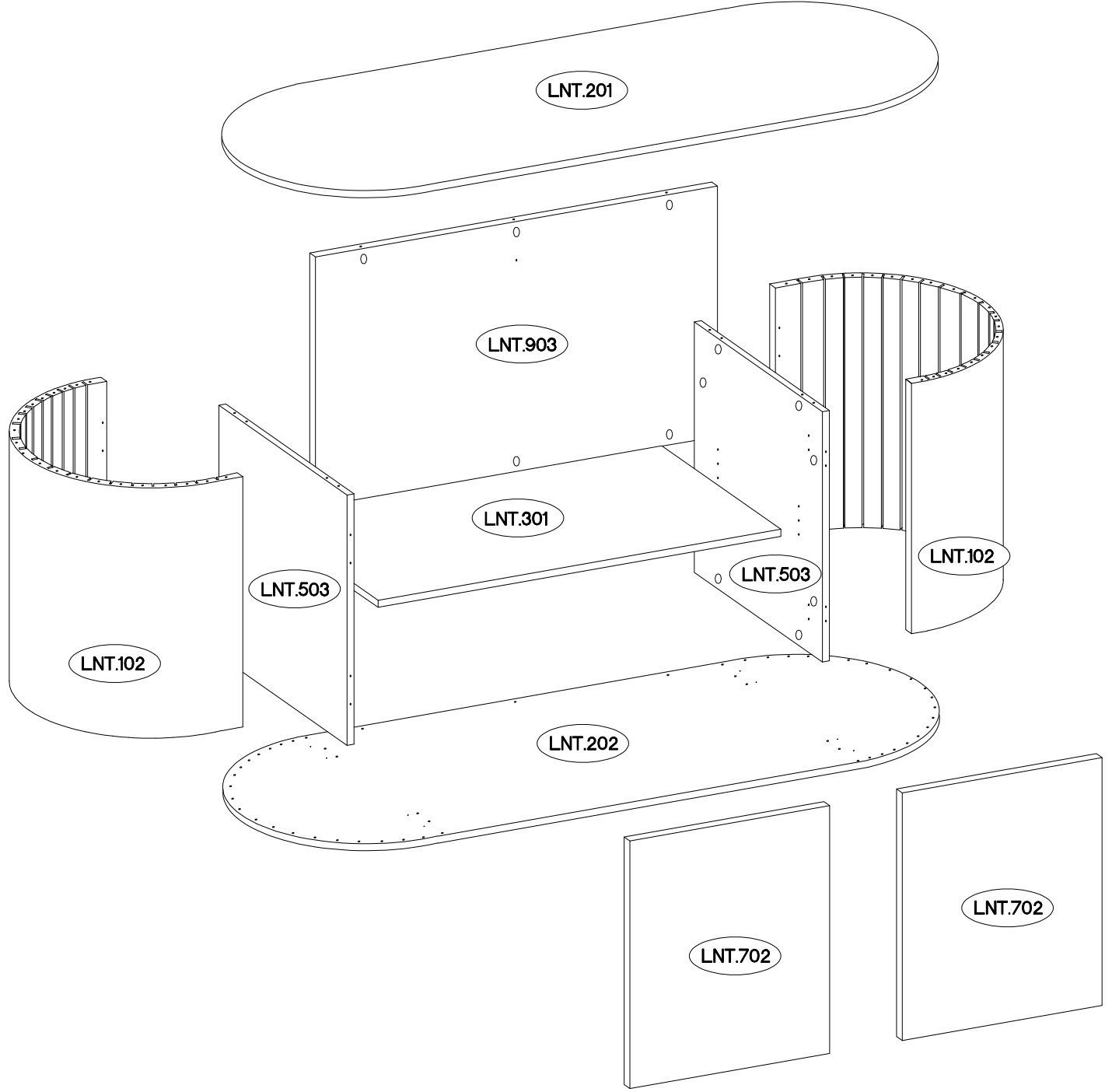


TYP 801



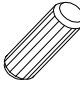


 A 96	 B 2	 C 24	 D2 24	 E11 22	 F40 4	 HG2 4	 J3 4
 L46 2	 O 1	 O7 1	 P1 16	 P5 12	 P12 1		

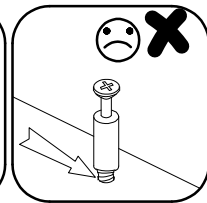
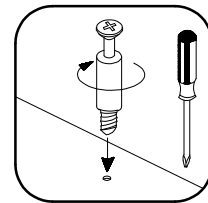
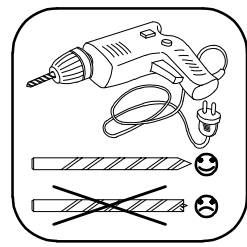
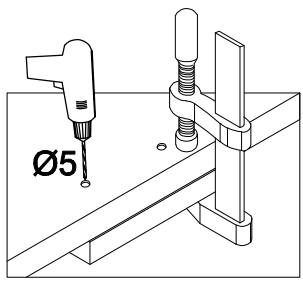
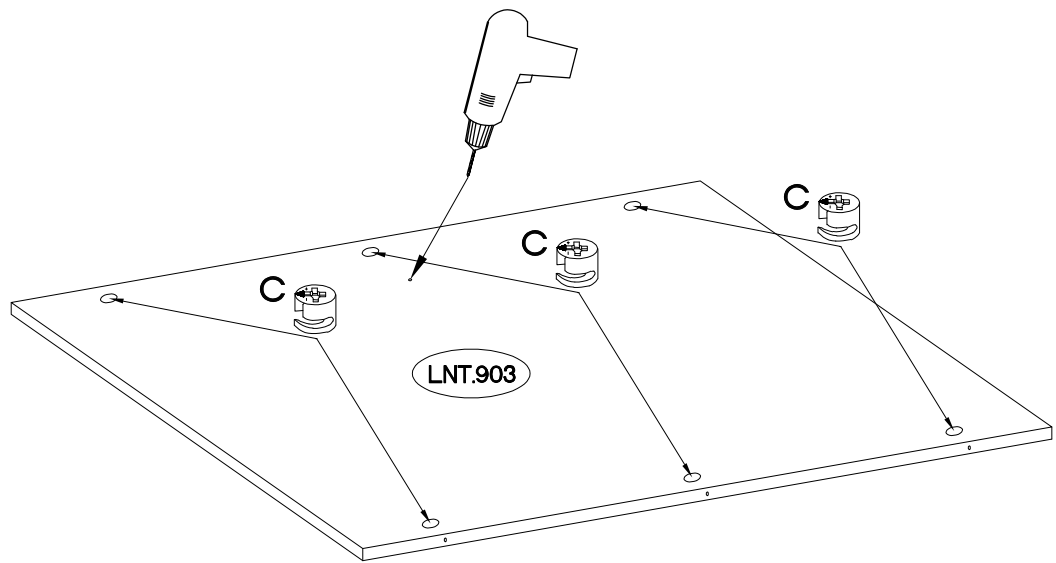
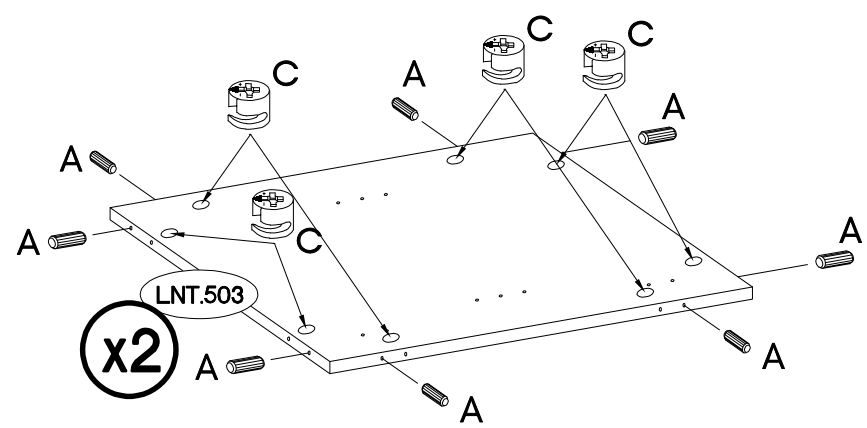
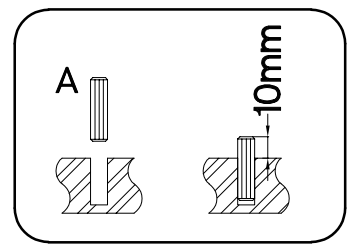
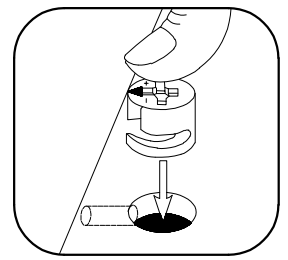
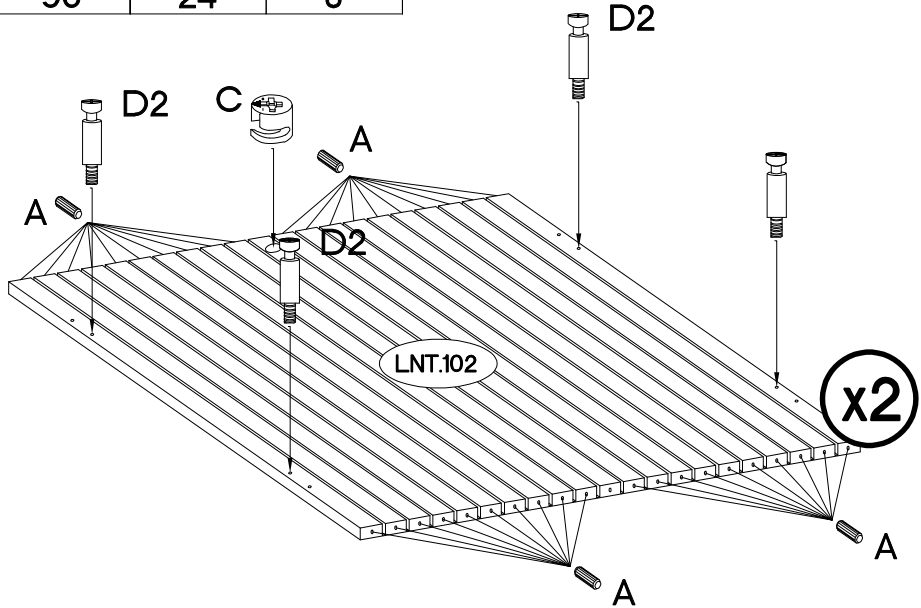
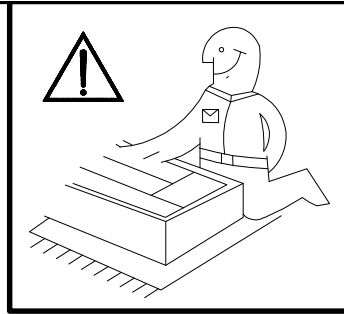
ISM-LNT-003




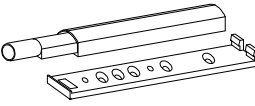

	Ersatzteil Nummer	Dimension
	LNT.102 x2	568x672x16
	LNT.201	1382x391x16
	LNT.202	1382x391x16
	LNT.301	928x330x16
	LNT.503 x2	568x355x16
	LNT.702 x2	562x460x16
	LNT.903	568x926x16

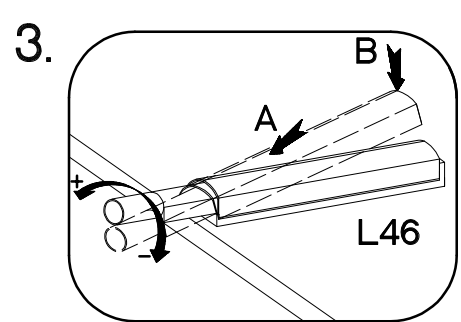
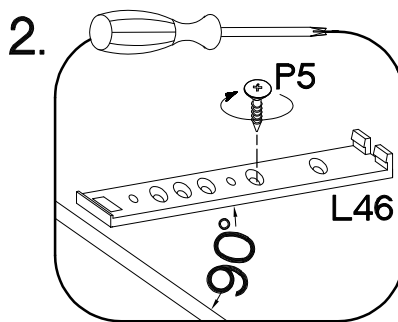
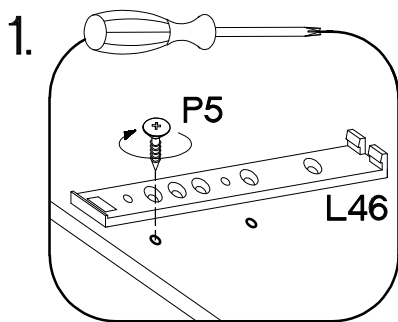
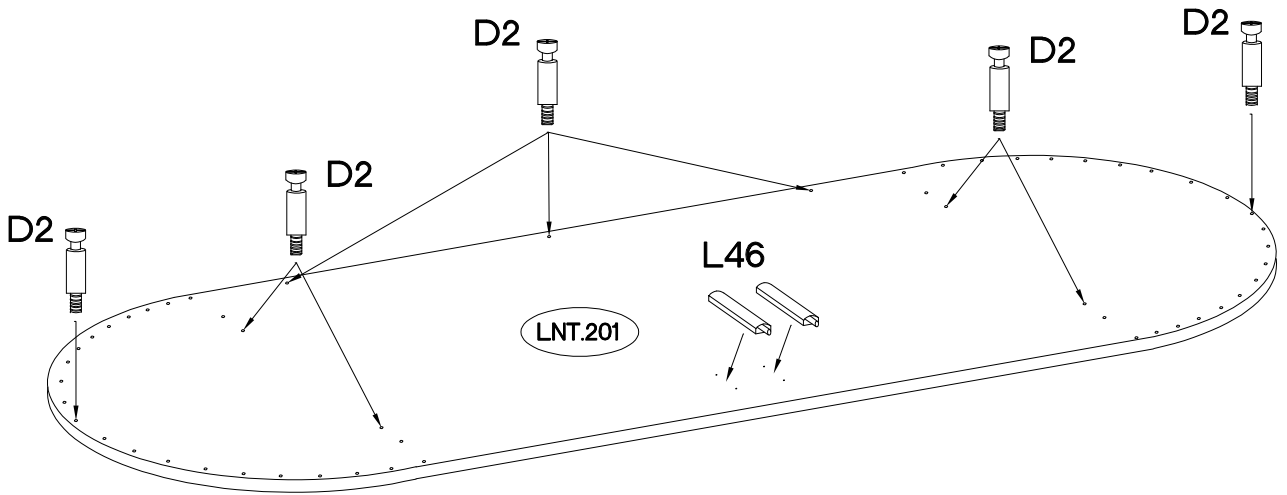
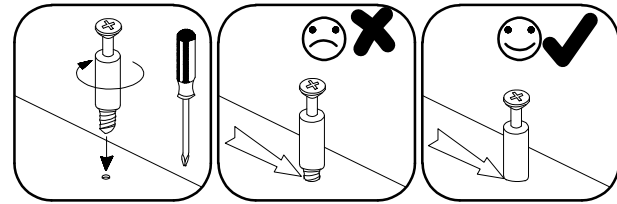
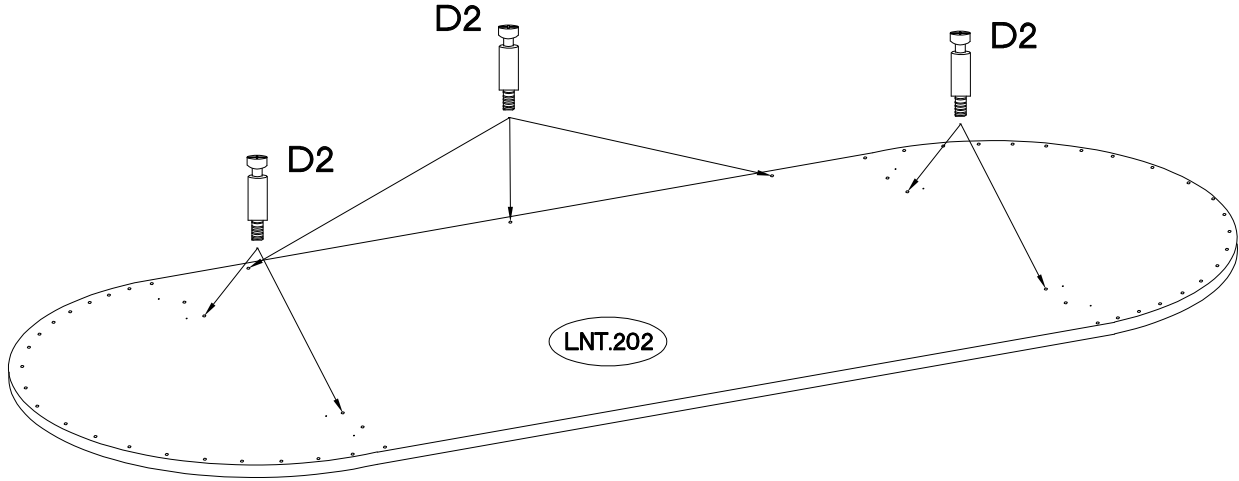
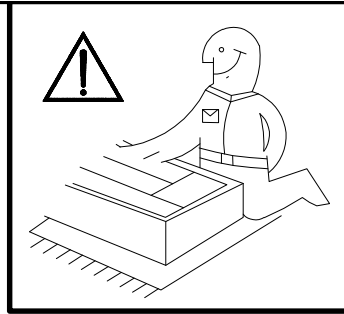
1

$\pm 8 \times 30 \text{mm}$  A 96	$\pm 15/12 \text{mm}$  C 24	$L=20 \text{mm}$  D2 8
---	---	--

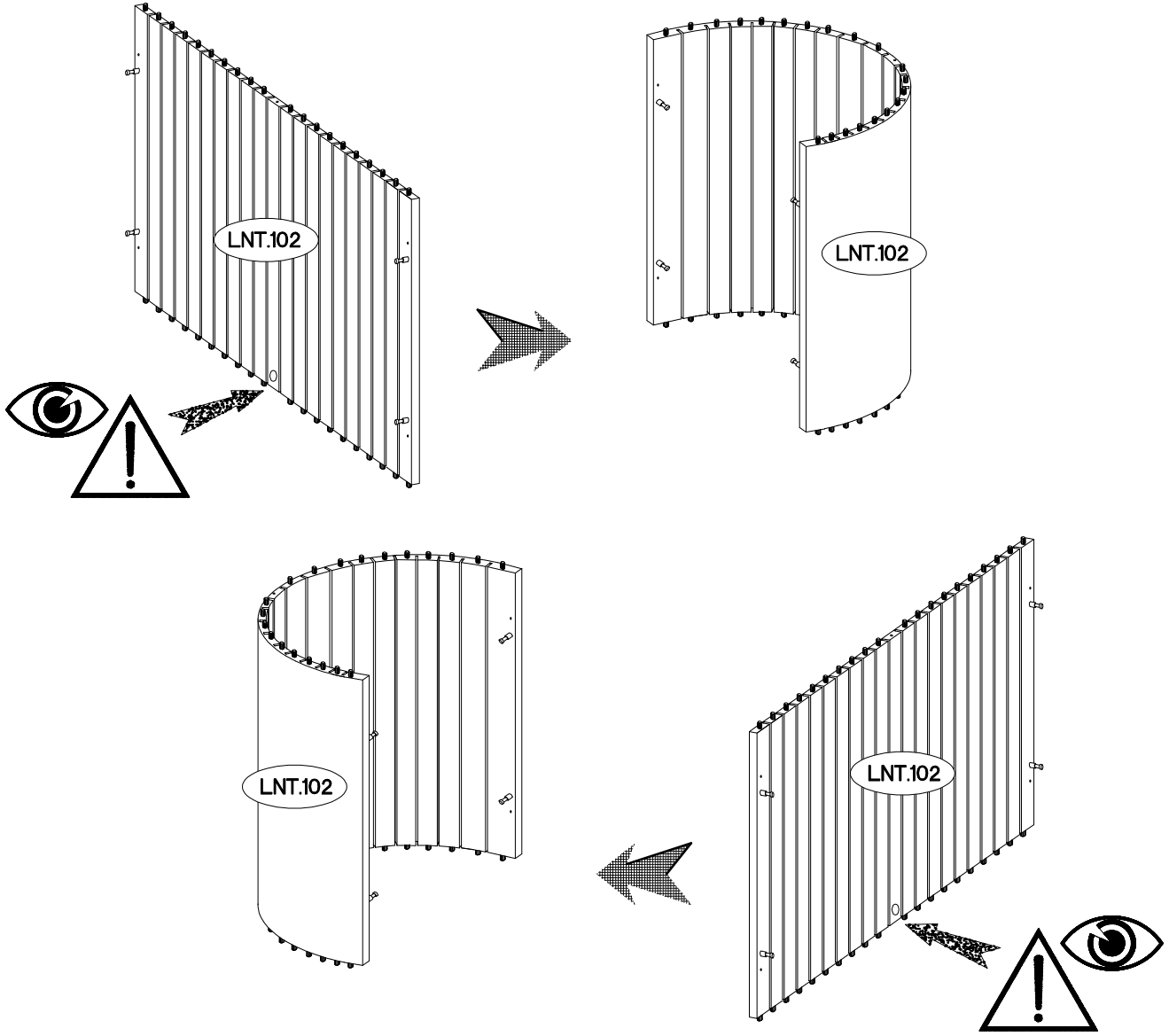


2

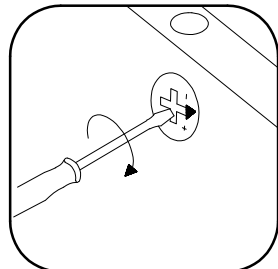
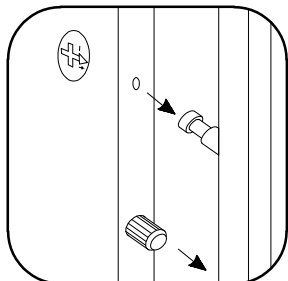
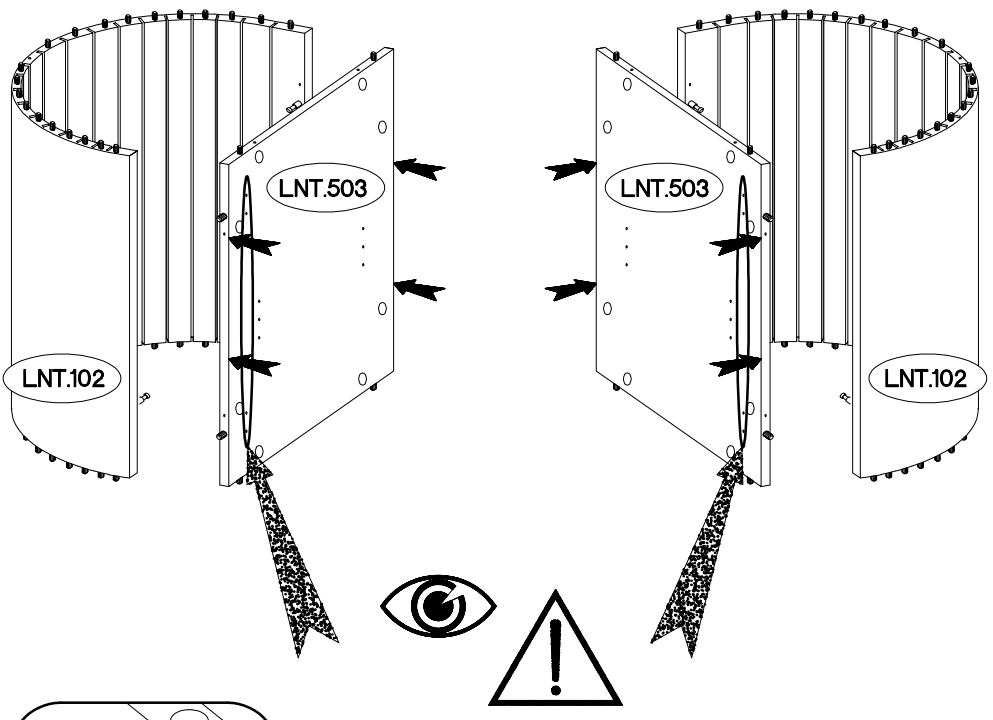
 L=20mm D2	 L46	 3.5x13mm P5
16	2	4



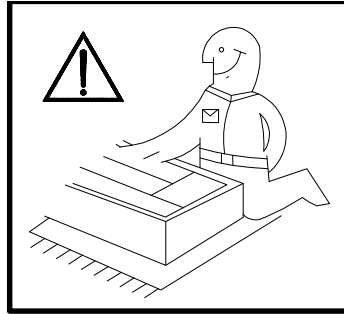
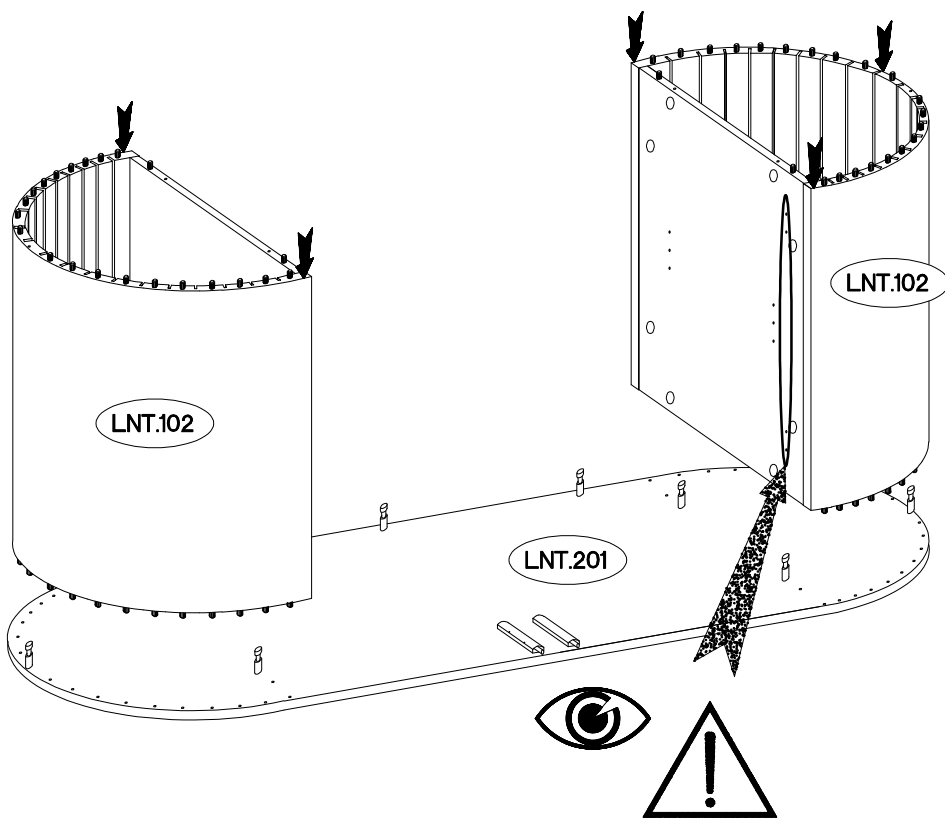
3



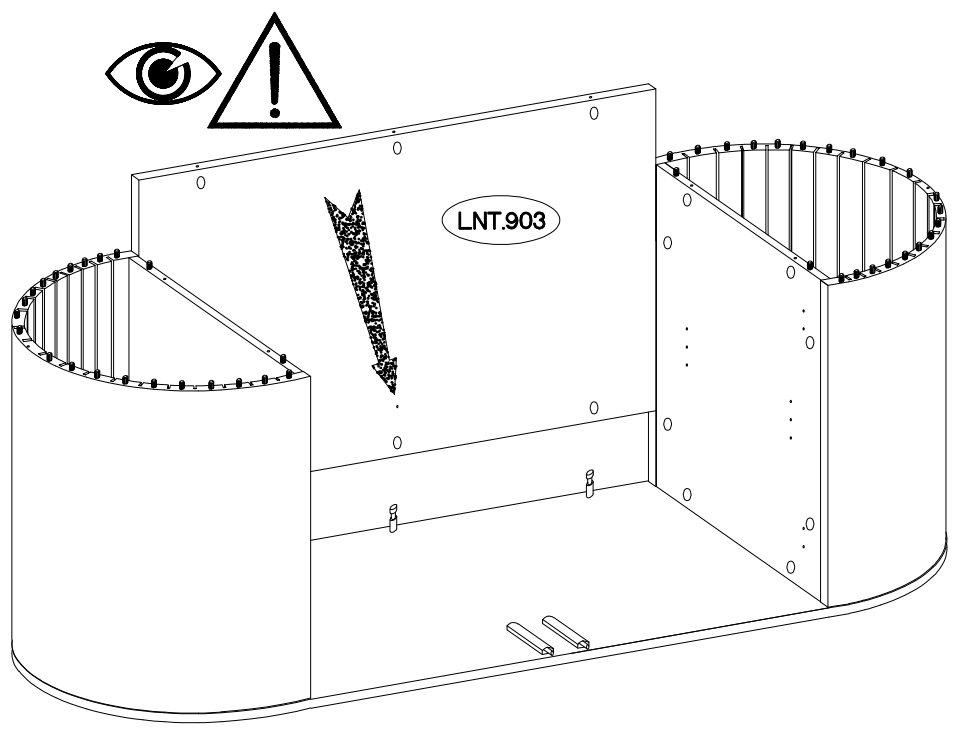
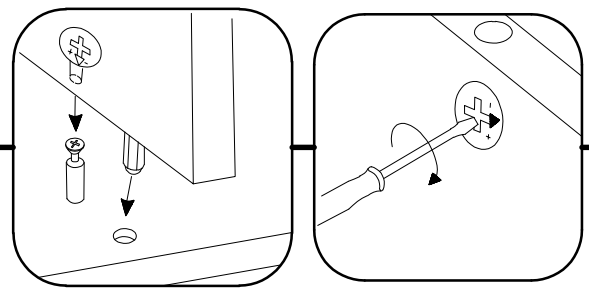
4




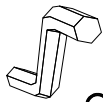
5

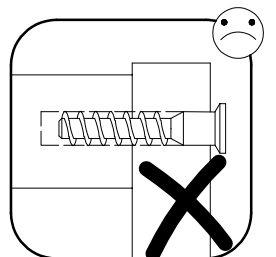
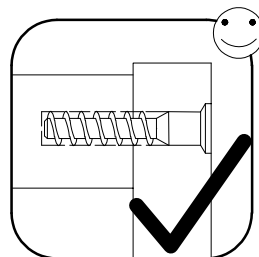
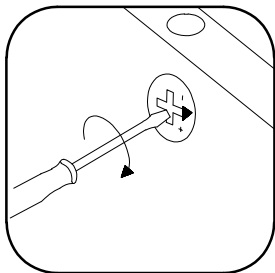
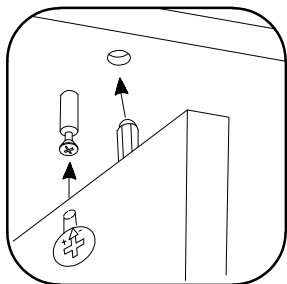
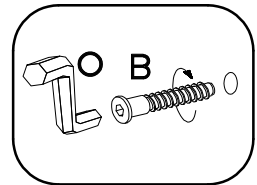
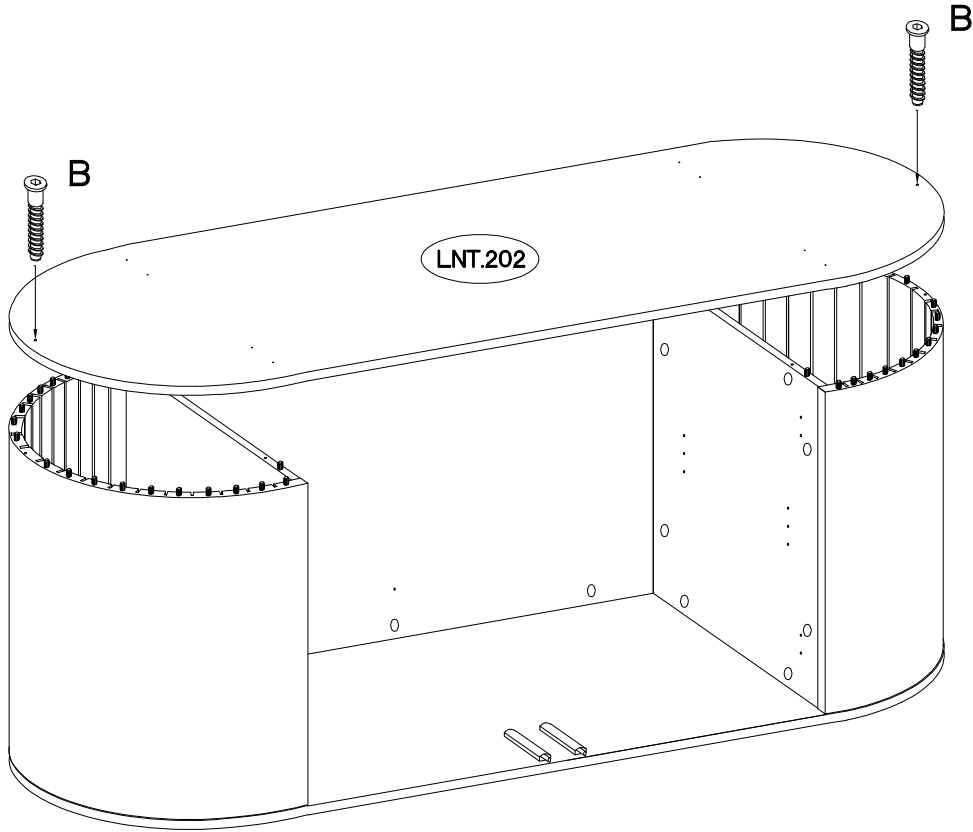
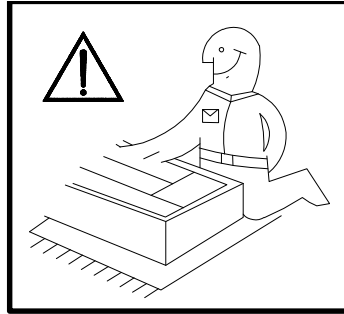




6

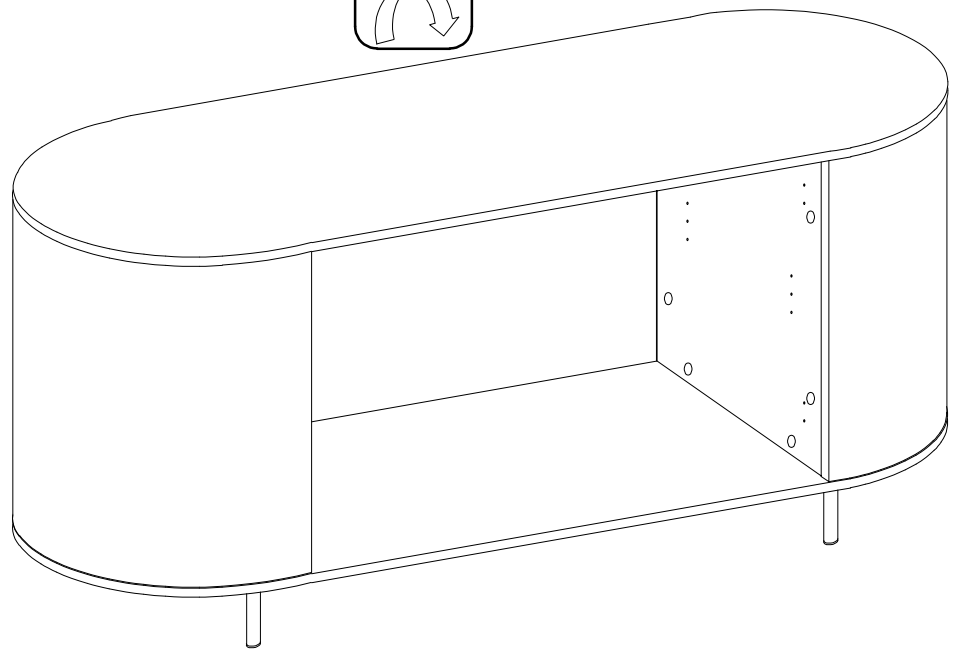
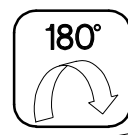
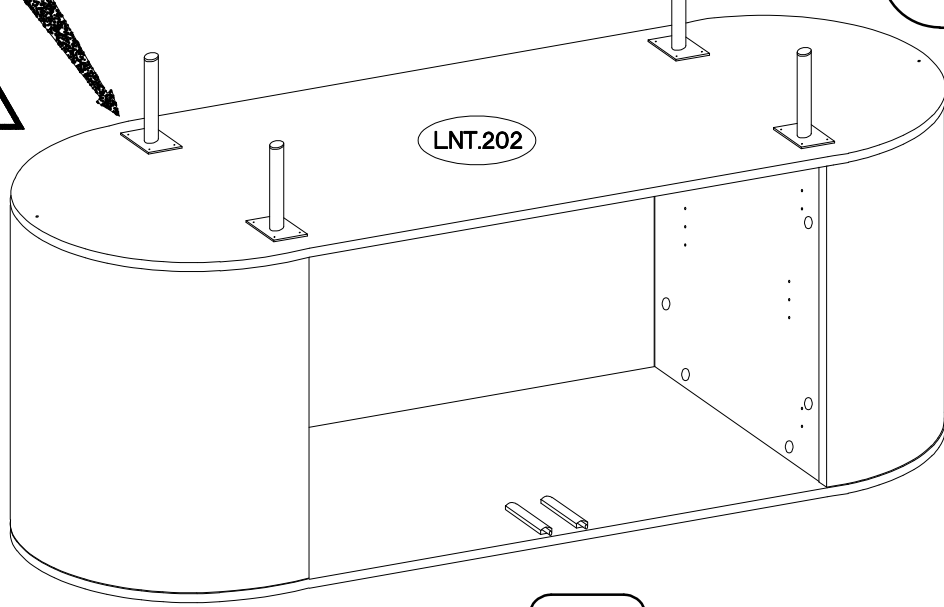
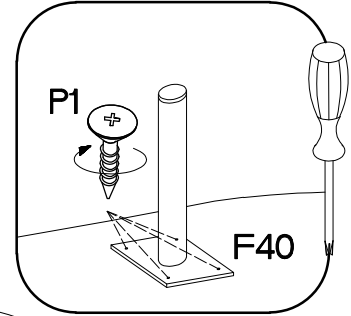
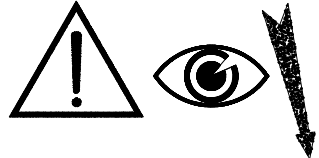
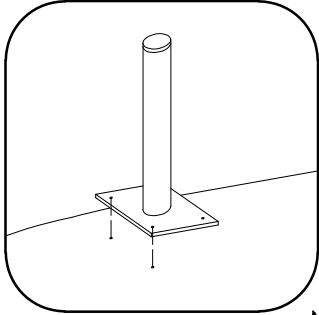
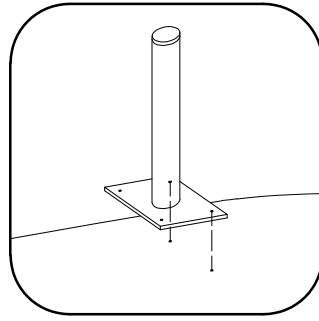
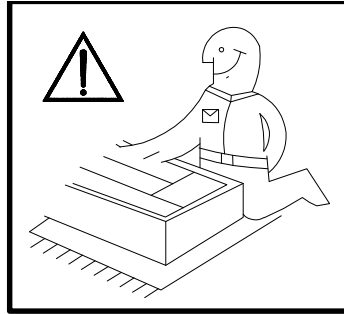




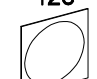
7

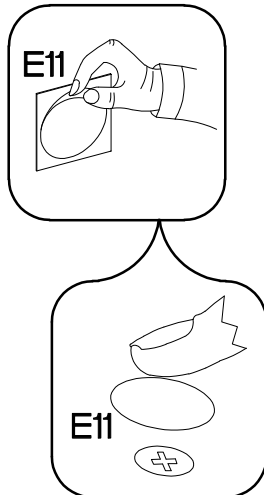
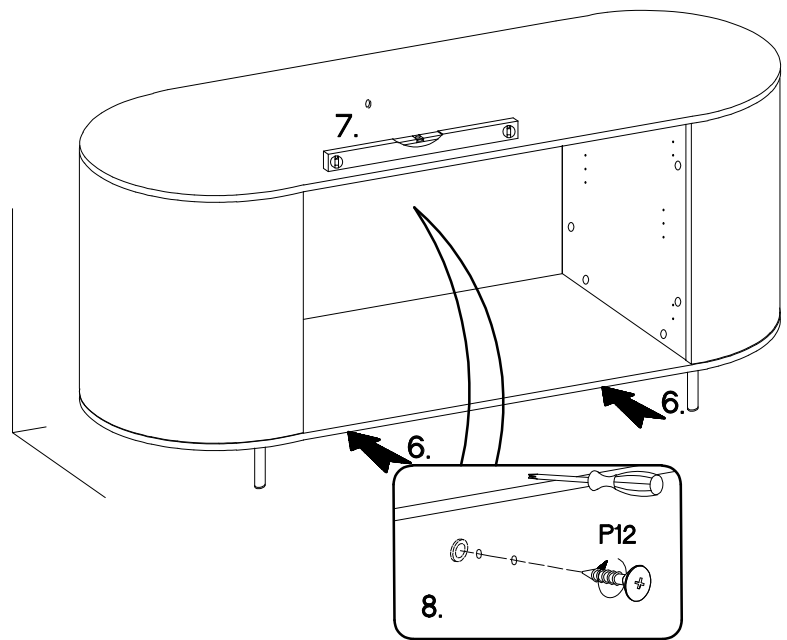
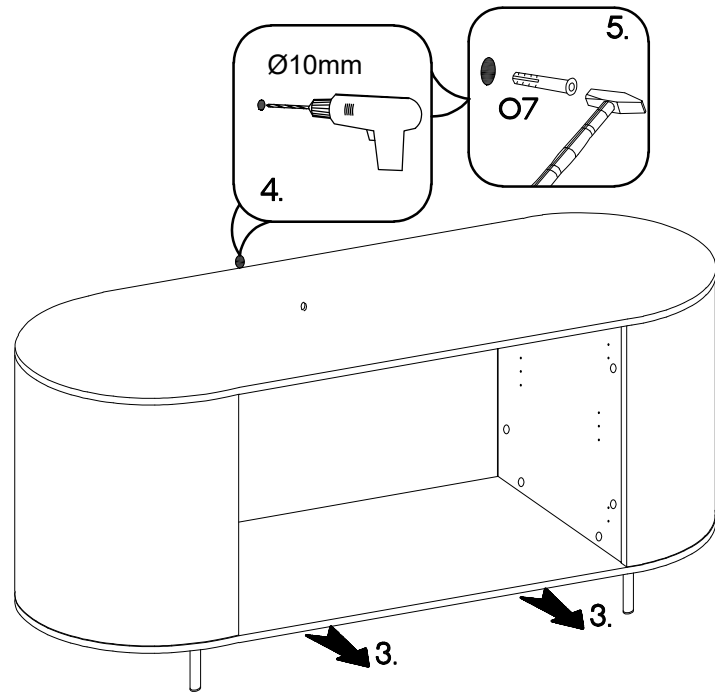
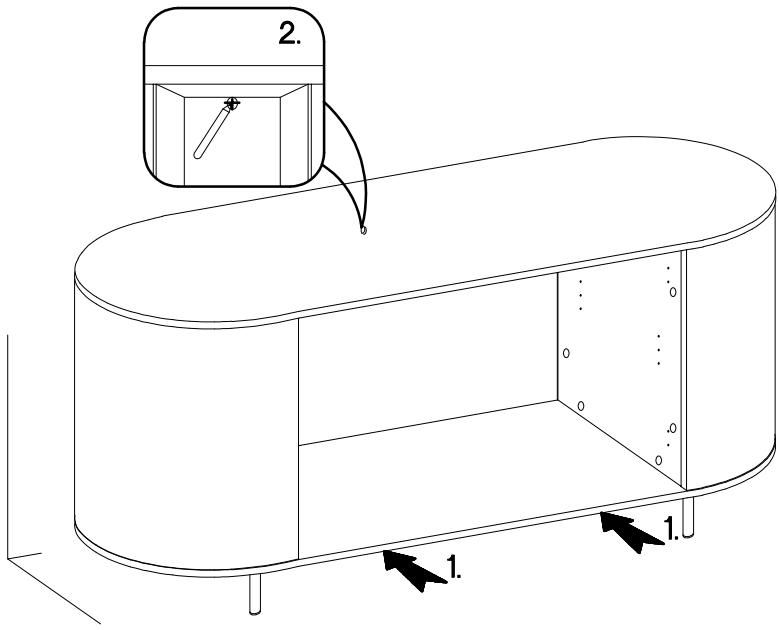
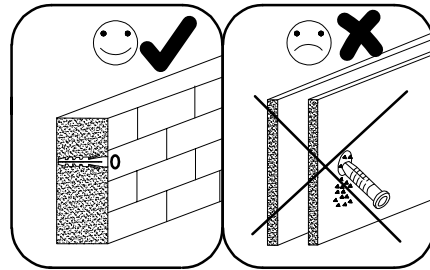
6,4 x 50mm		
	B	O
	2	1



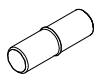
L=150mm	4.0x16mm
	
F40	P1
4	16

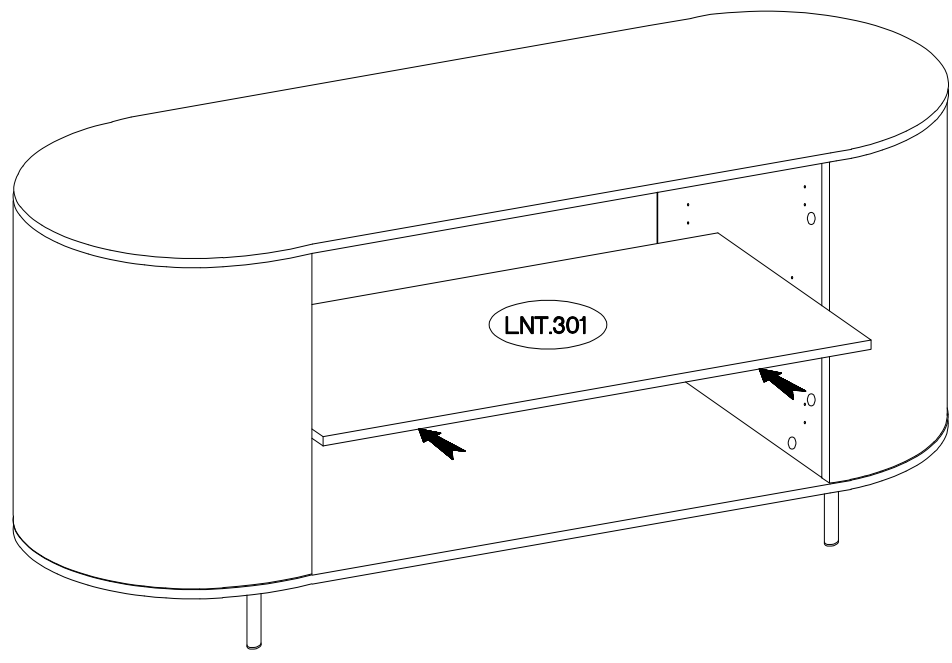
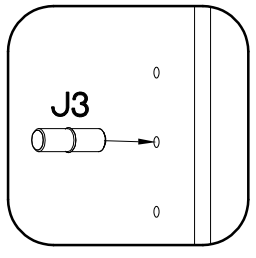


 10x50mm	 5.0x60mm	 20
O7	P12	E11
1	1	22





10

±5/16mm

J3
4



11

±35/16mm	±3.5x13mm
	
HG2	P5
4	8

