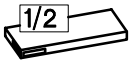
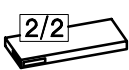
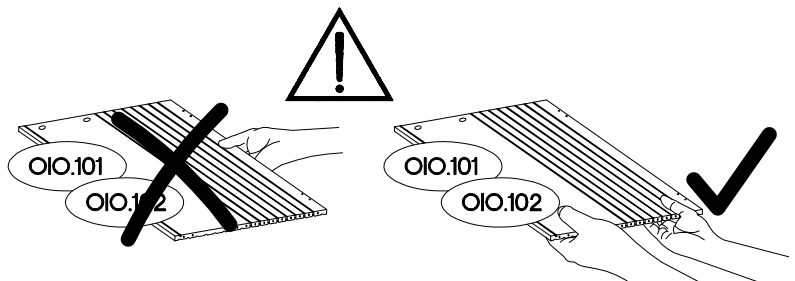
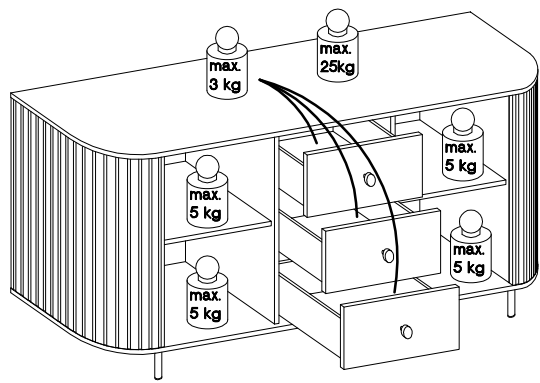
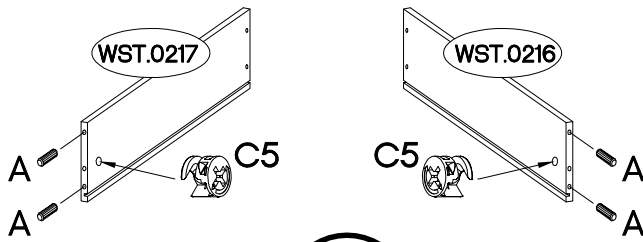
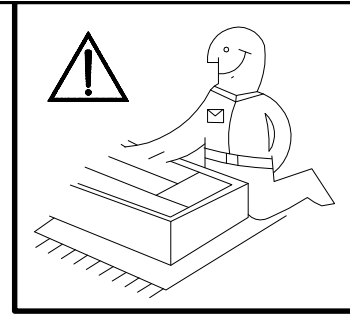
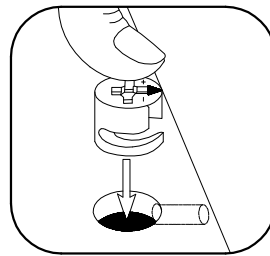


	Ersatzteil Nummer	Dimension
	OIO.501 x2	672x384x16
	OIO.502	672x384x16
	OIO.503	672x384x16
	OIO.701 x3	220x412x16
	OIO.702 x2	666x412x16
	OIO.101	672x544x16
	OIO.301 x2	407x370x16
	OIO.601 x2	339x1621x2,5
	OIO.602 x3	371x348x2,5
	WST.0216 x3	350x140x12
	WST.0217 x3	350x140x12
	WST.0357 x3	360x140x12
	OIO.201	1646x423x16
	OIO.202	1646x423x16

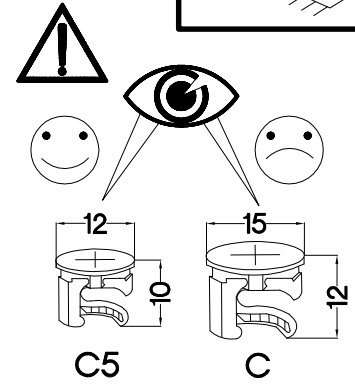


1

<p>±12/10mm</p> <p>C5</p> <p>6</p>	<p>±8x30mm</p> <p>A</p> <p>12</p>
------------------------------------	-----------------------------------

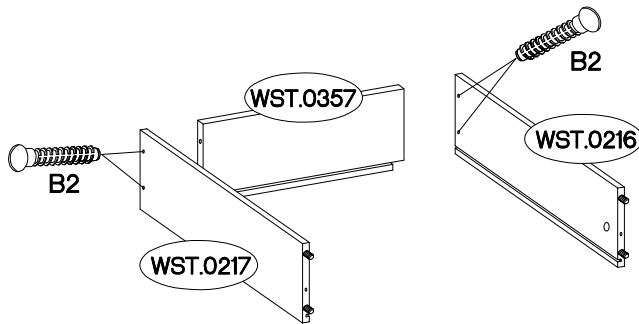
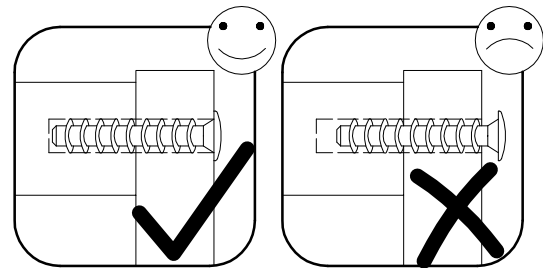


x3



2

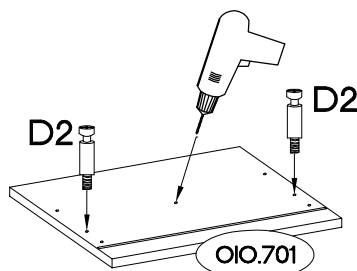
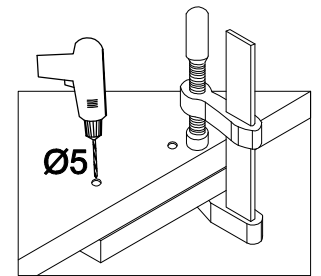
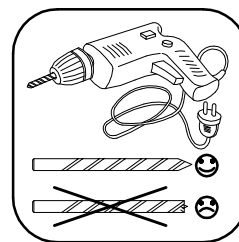
<p>±6x42mm</p> <p>B2</p> <p>12</p>
------------------------------------



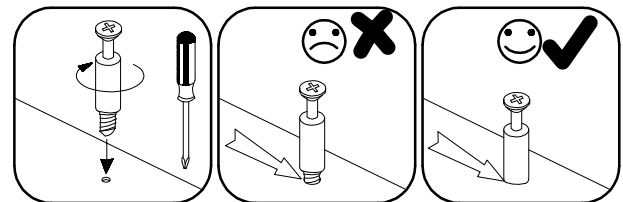
x3

3

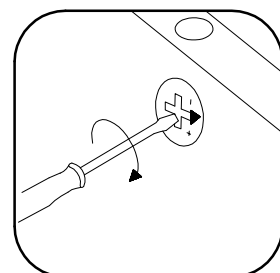
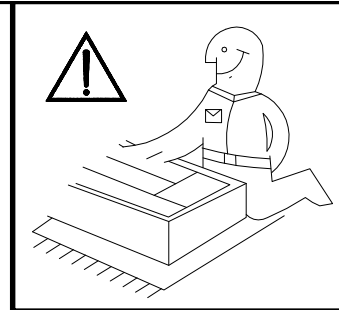
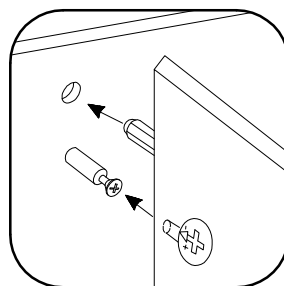
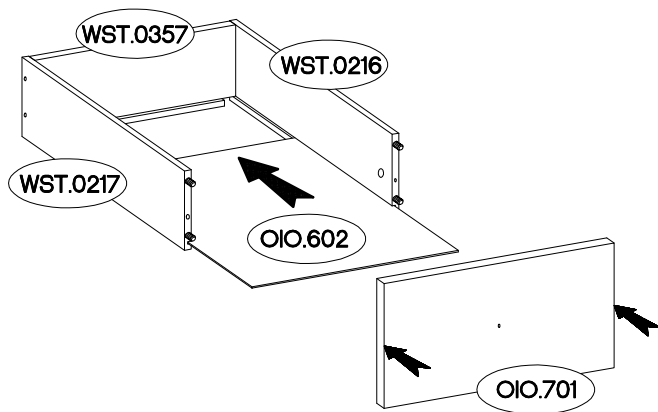
<p>L=20mm</p> <p>D2</p> <p>6</p>
----------------------------------



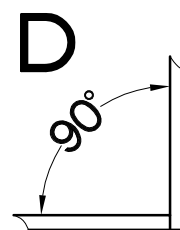
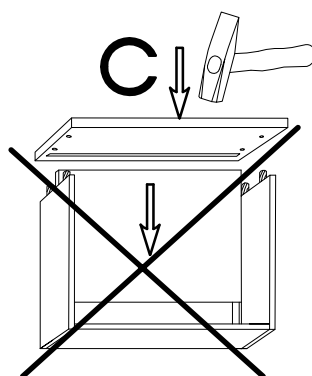
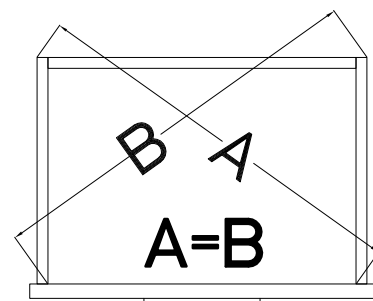
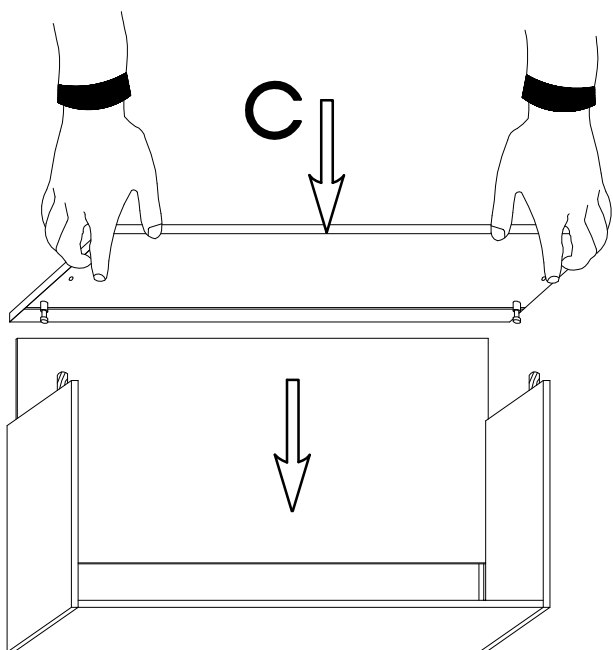
x3



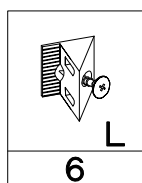
4



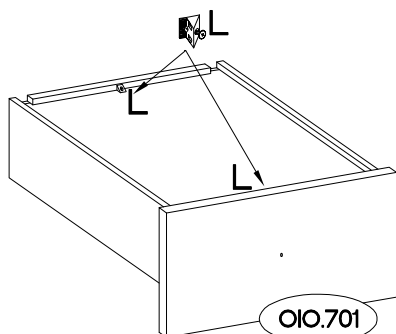
x3



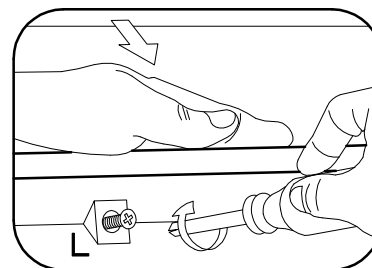
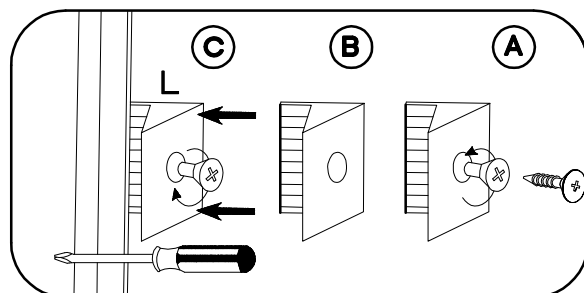
5

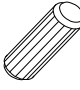



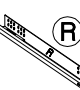



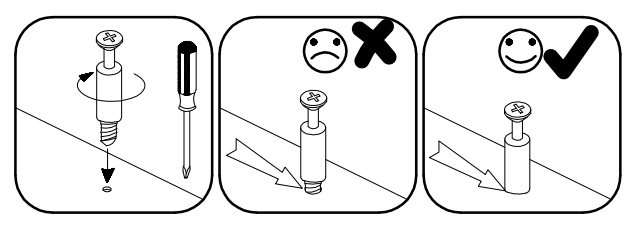
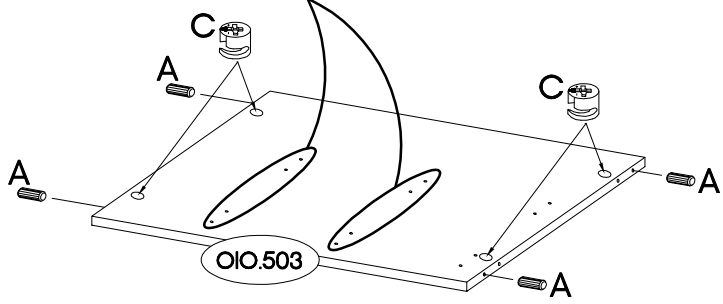
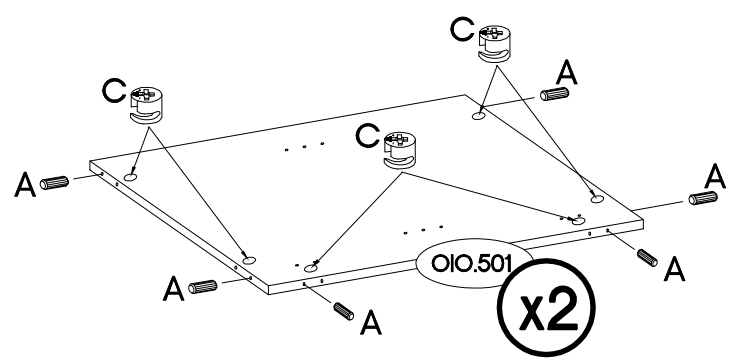
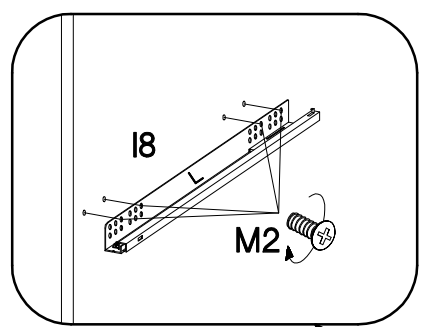
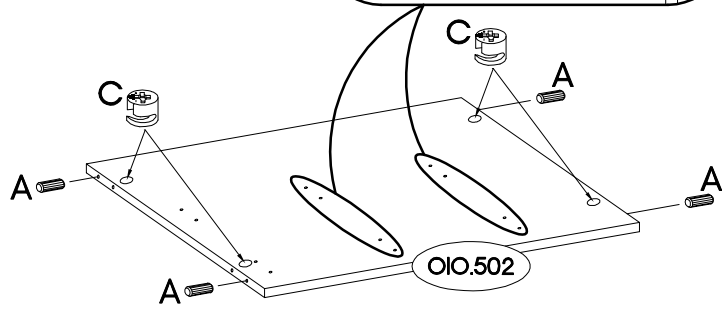
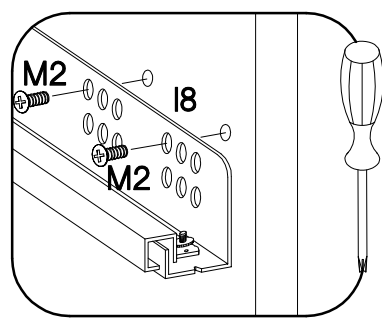
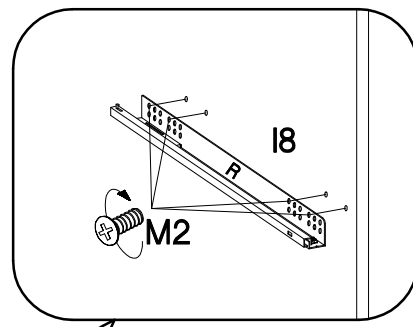
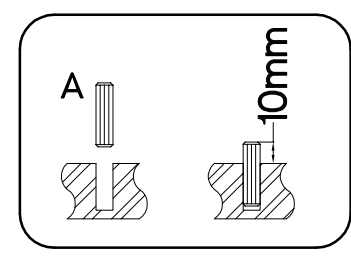
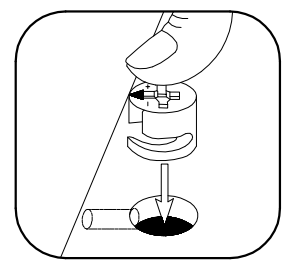
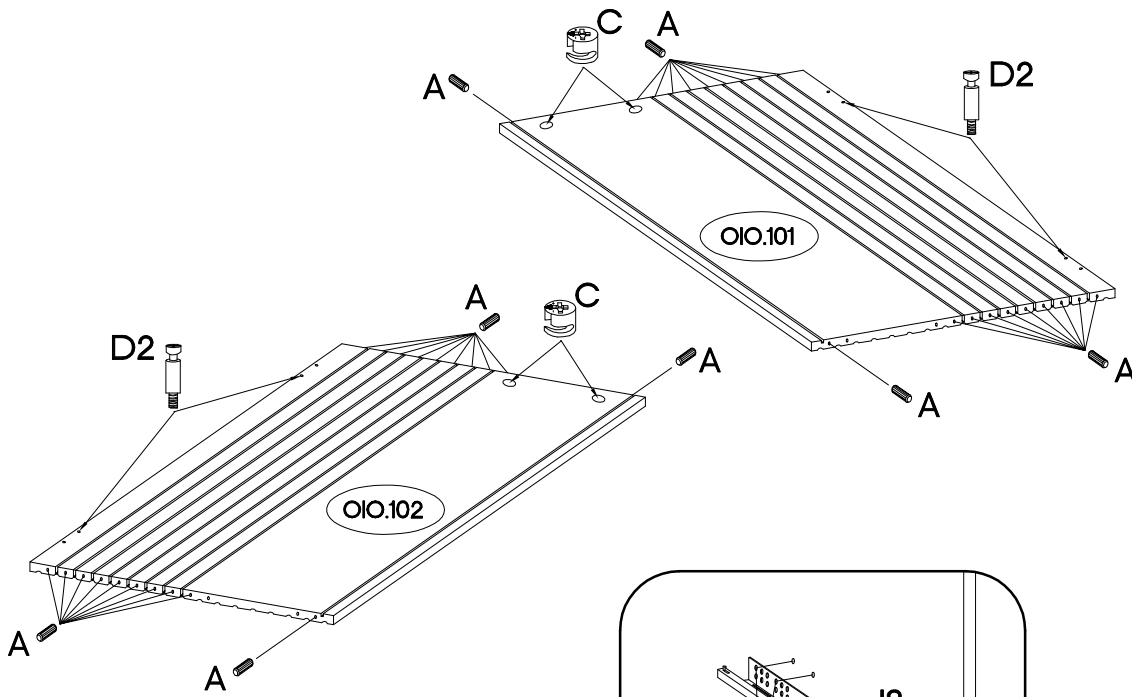
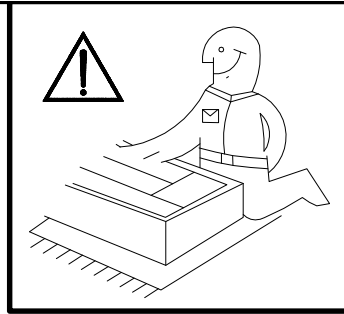
6



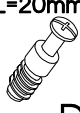


x3

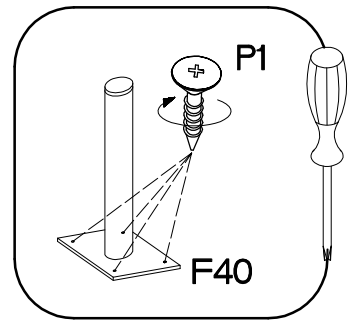
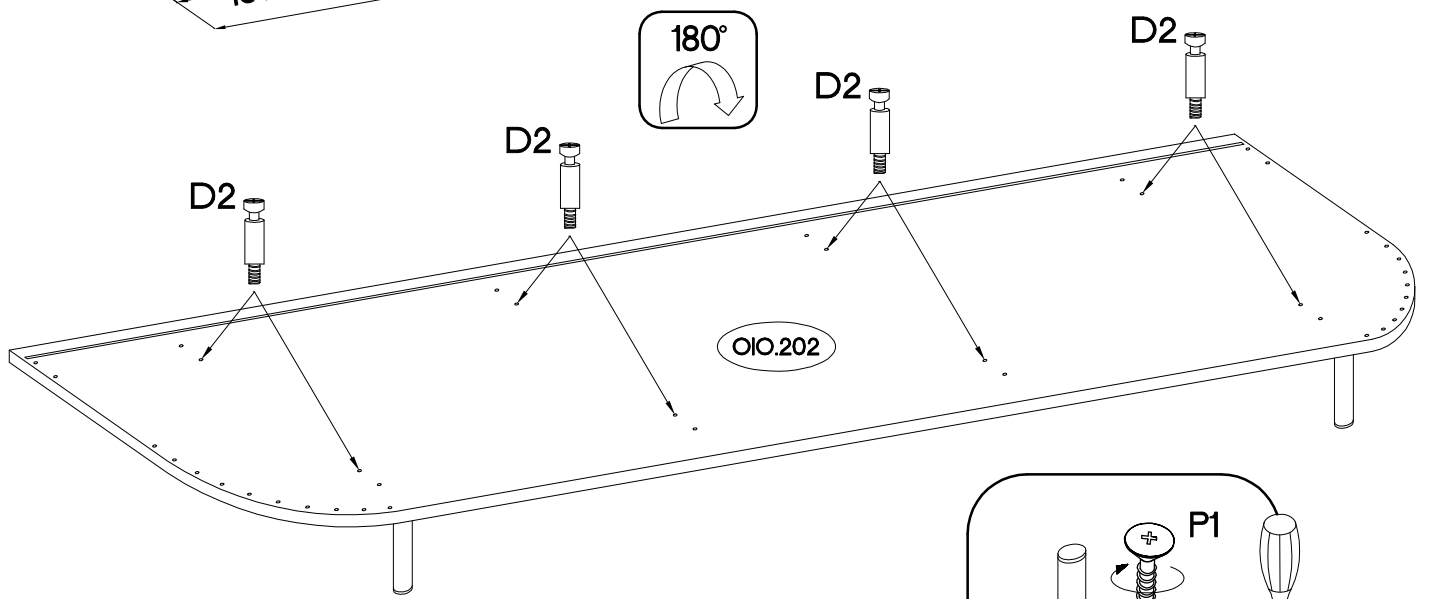
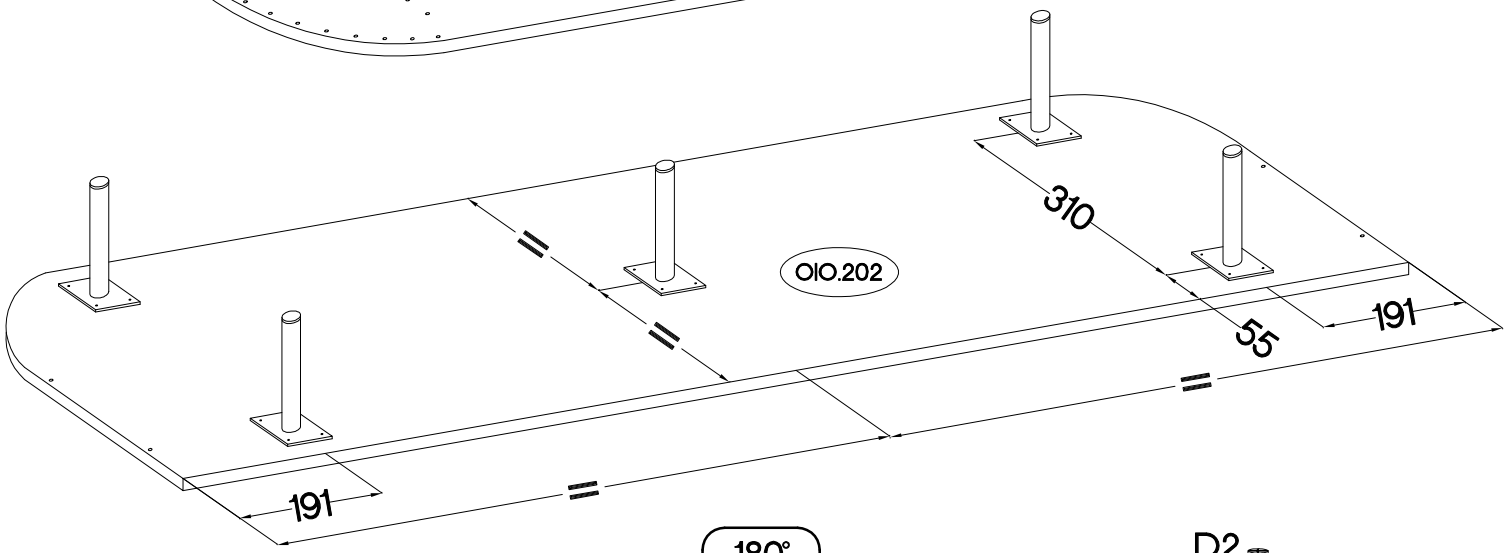
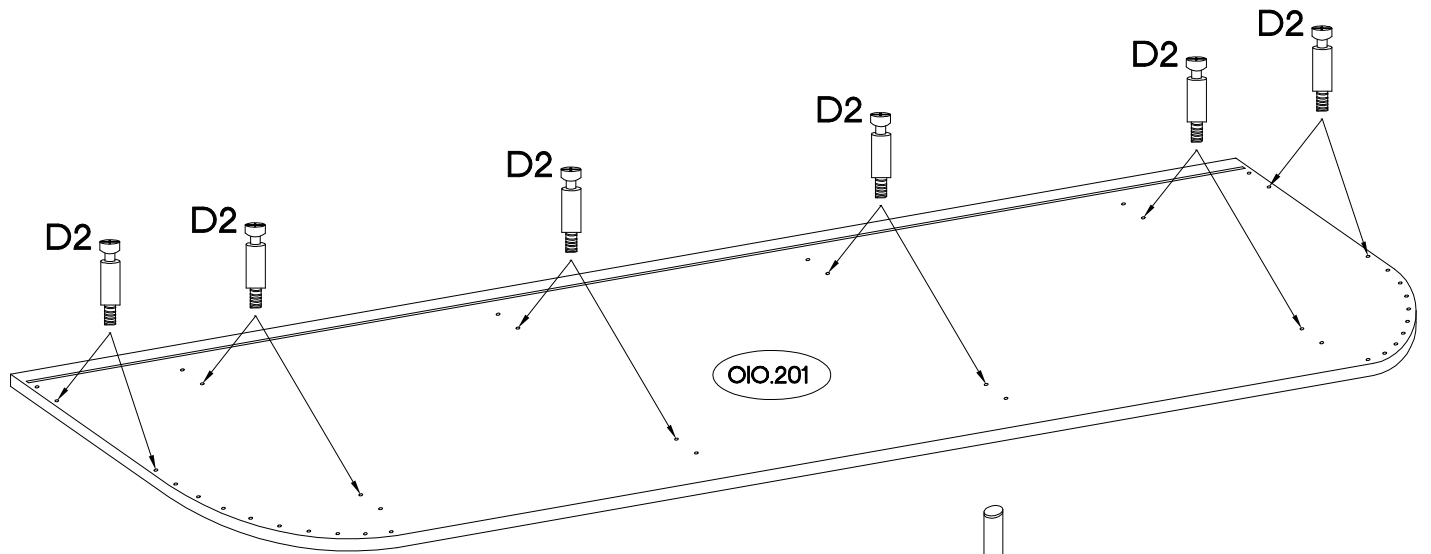
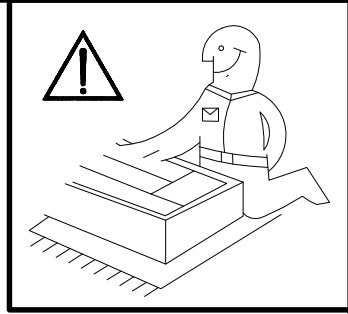
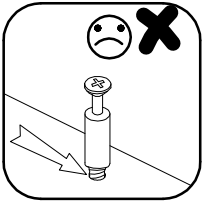
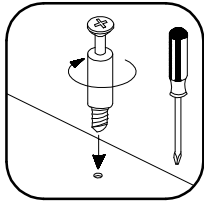


$\pm 8 \times 30 \text{mm}$  A 60	$\pm 15/12 \text{mm}$  C 24	L=20mm  D2 4	$L=350 \text{mm}$  L  R I8 2	[CD] $\pm 6.3 \times 13 \text{mm}$  M2 16
----------------------------------------------------------------------------------------------------------------------------	----------------------------------------------------------------------------------------------------------------------	-------------------------------------------------------------------------------------------------------	----------------------------------------------------------------------------------------------------------------------------------------------------------------------------------------------------------	------------------------------------------------------------------------------------------------------------------------------------

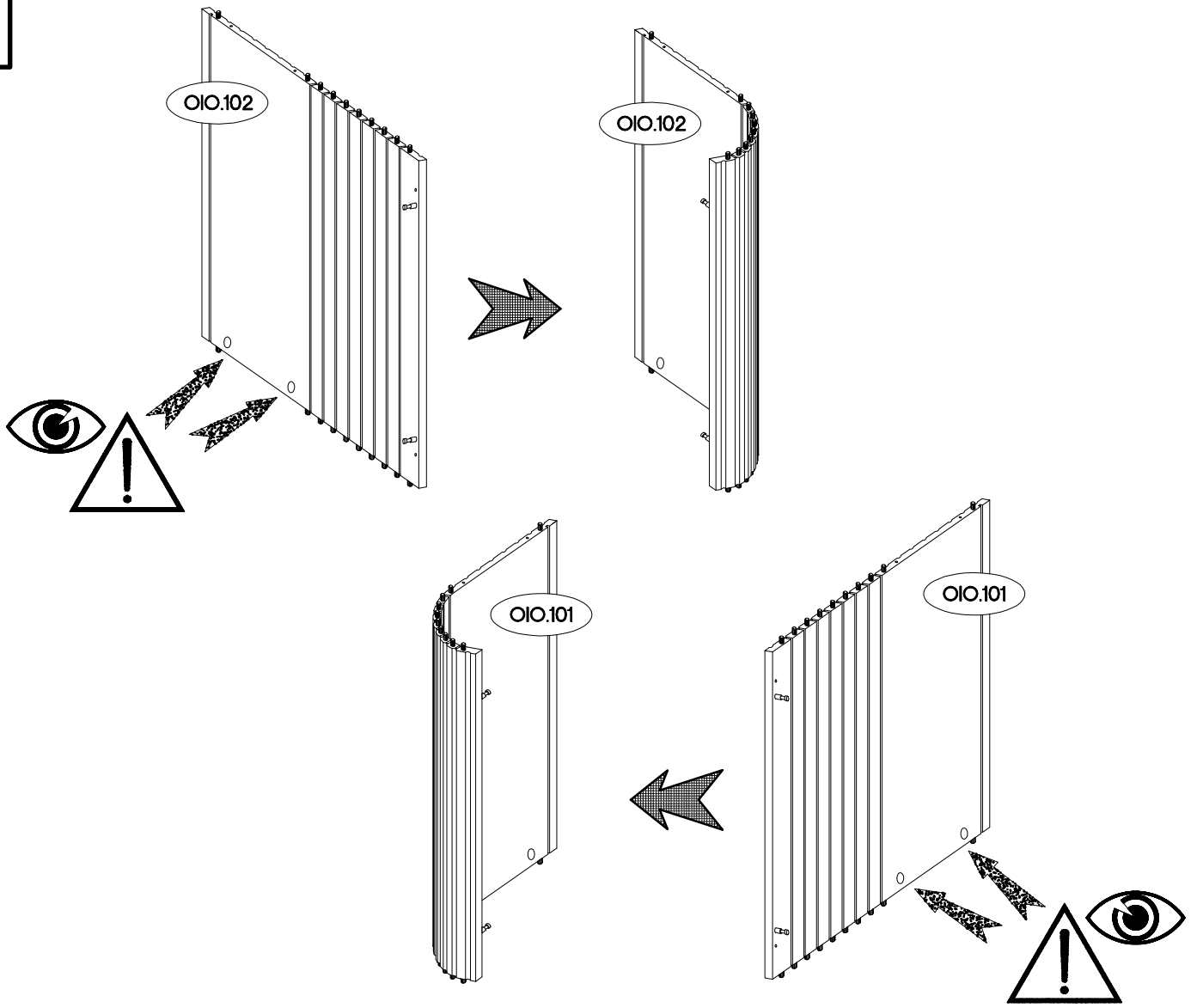


7

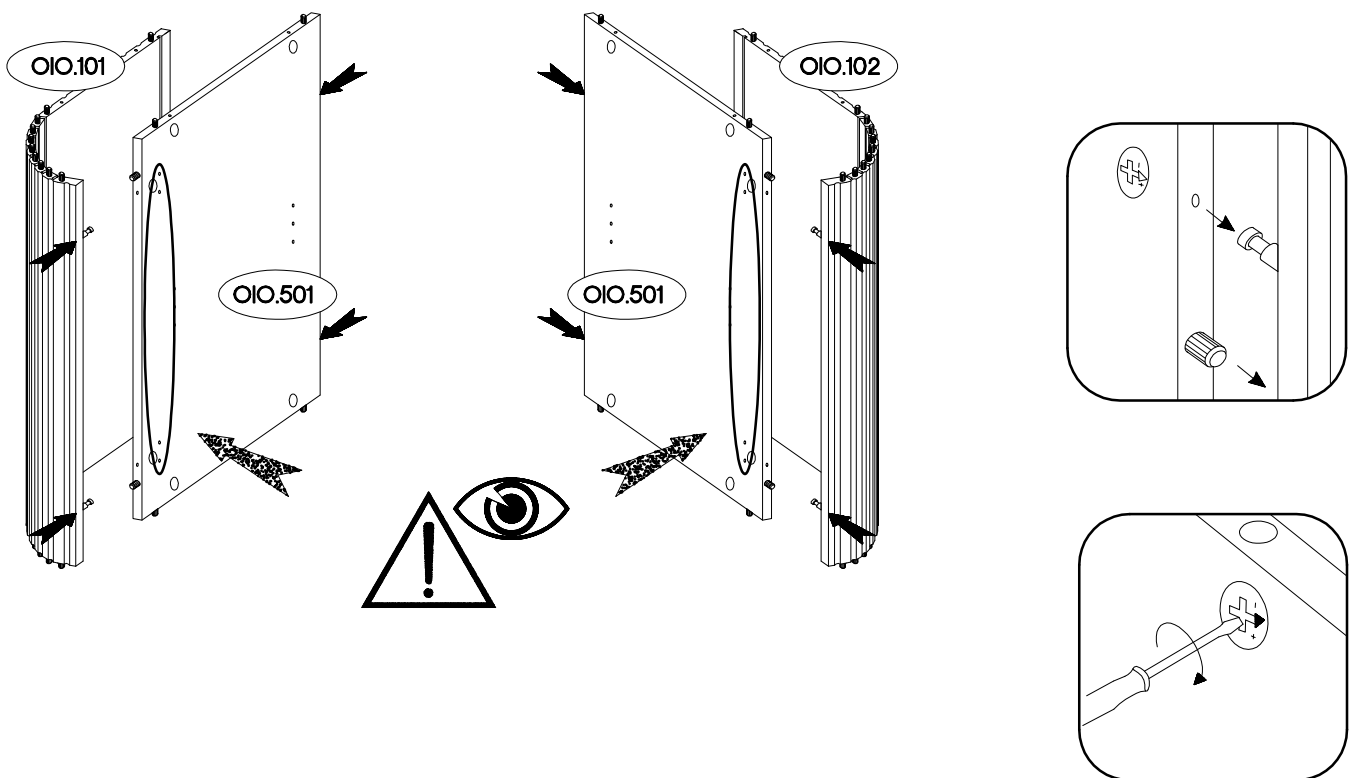
L=20mm  D2 20	L=150mm  F40 5	±4.0x16mm  P1 20
--------------------------------------------------------------------------------------------------------	---------------------------------------------------------------------------------------------------------	-----------------------------------------------------------------------------------------------------------

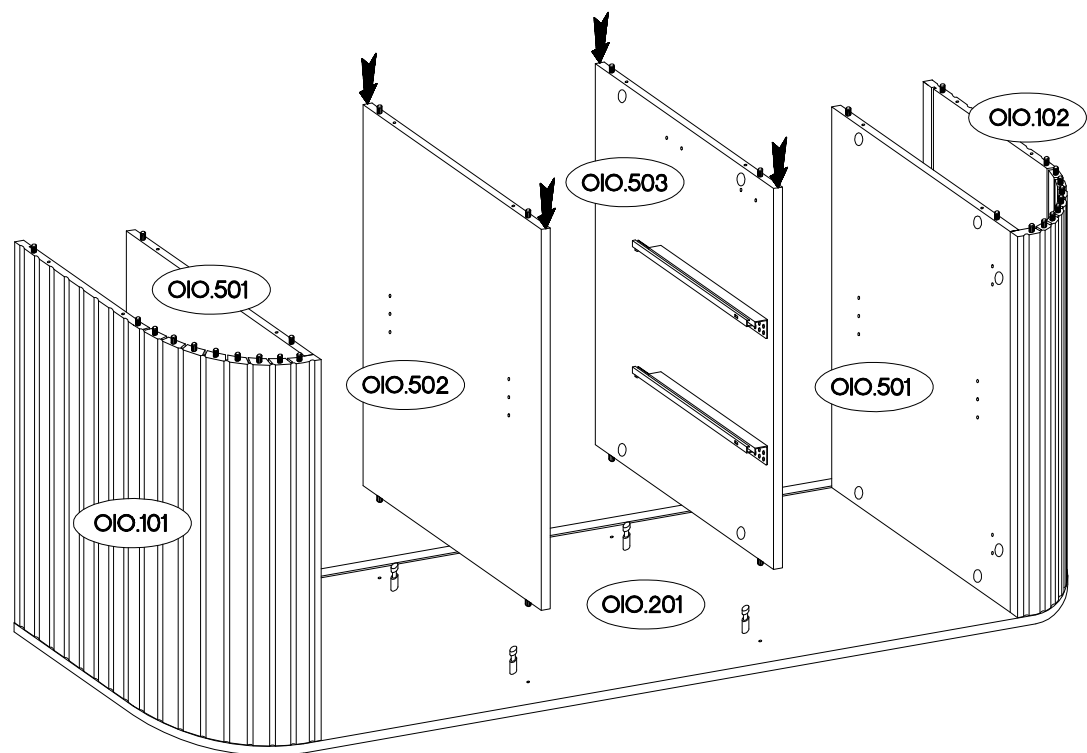
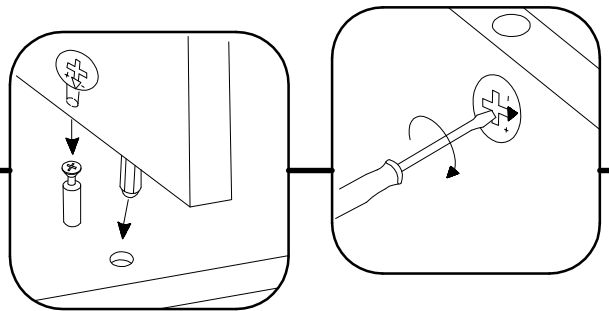
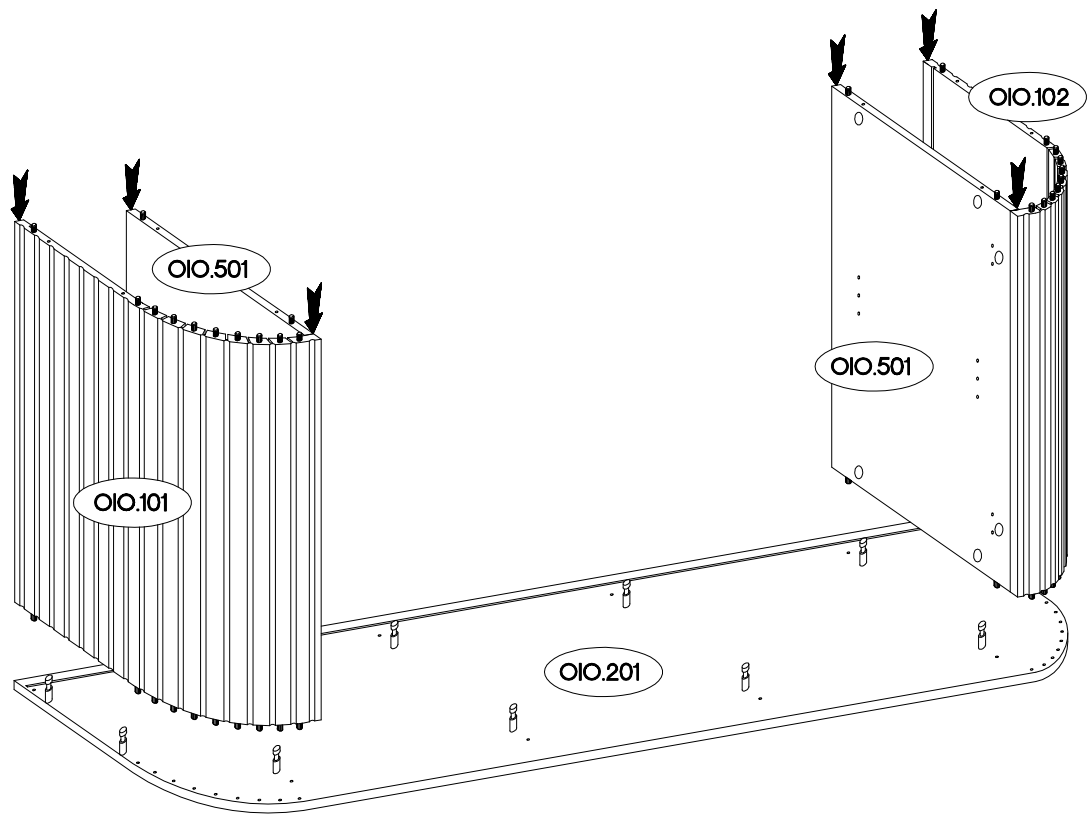


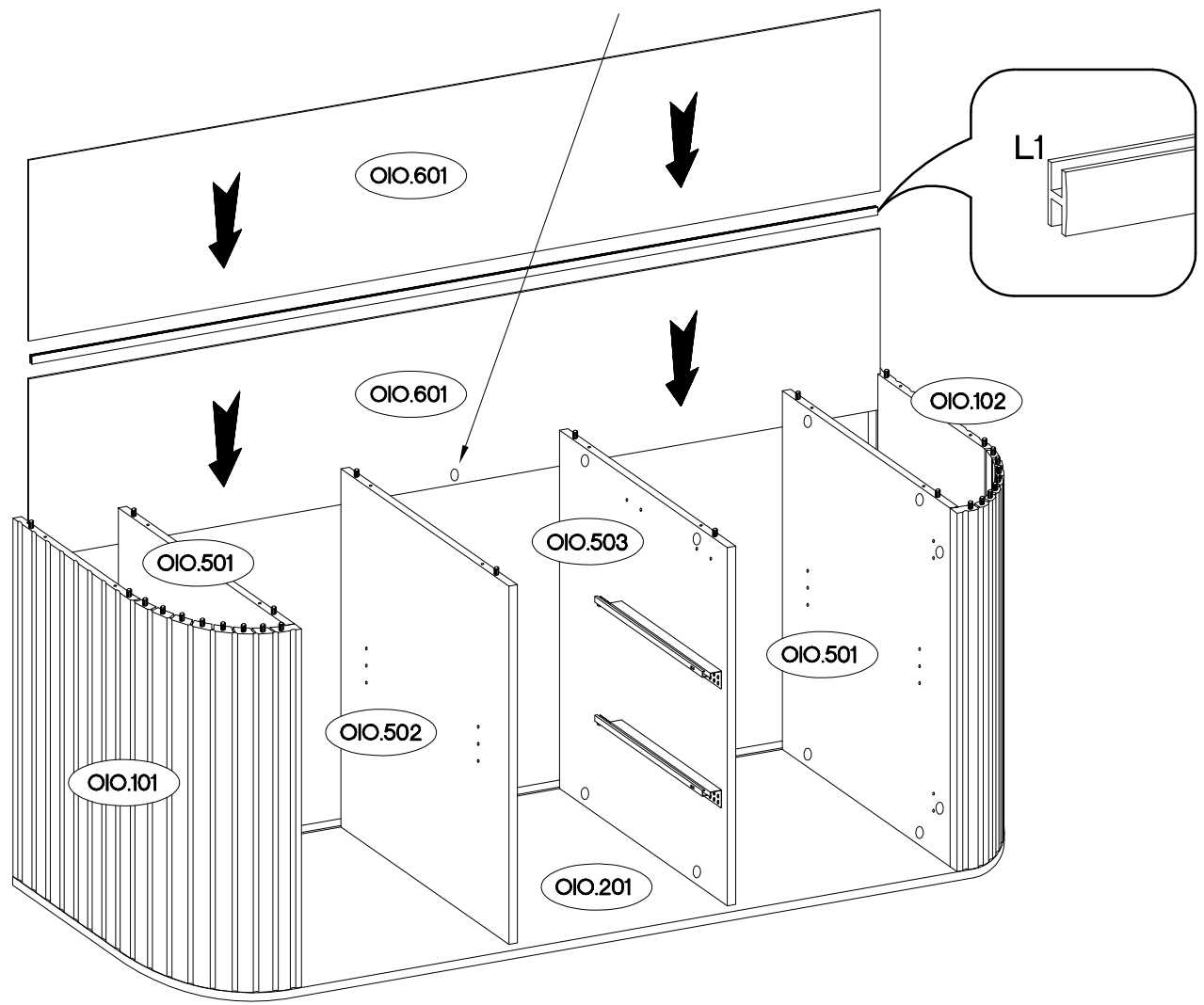
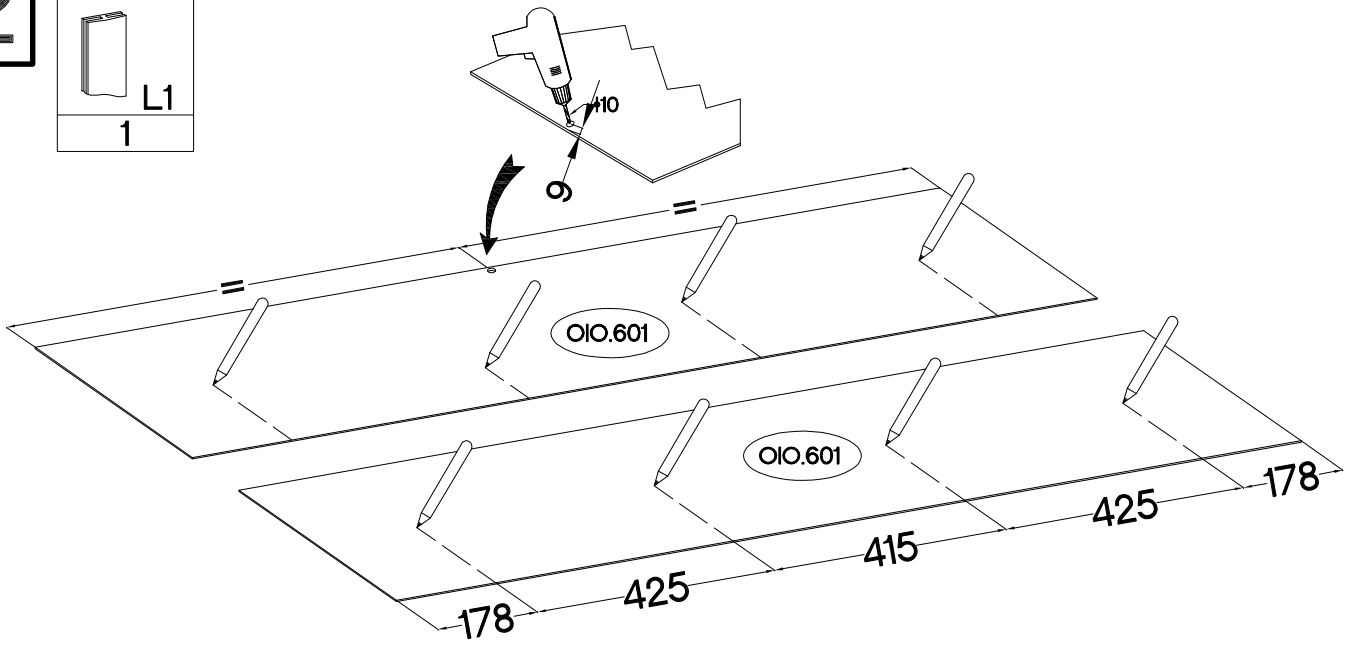
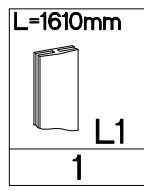
8


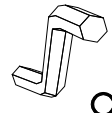
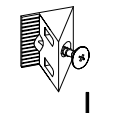



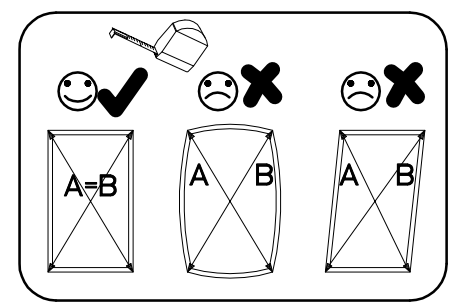
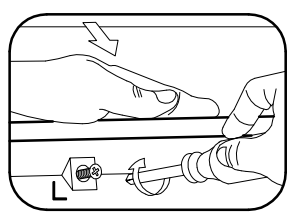
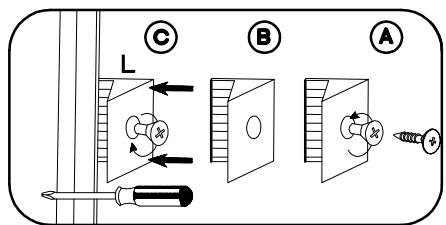
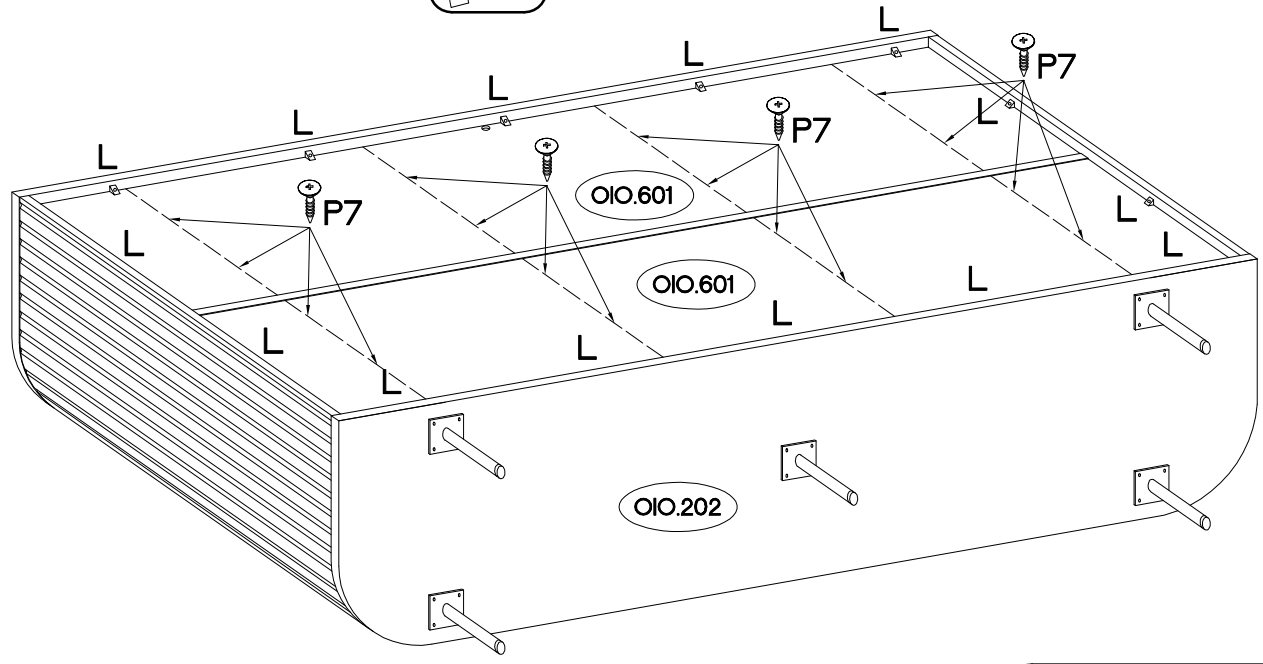
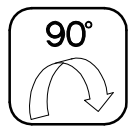
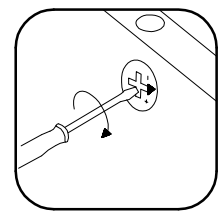
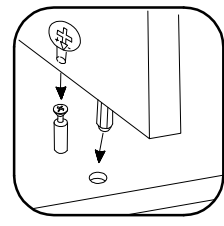
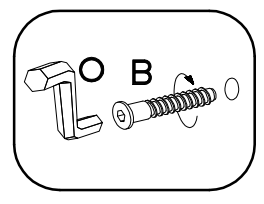
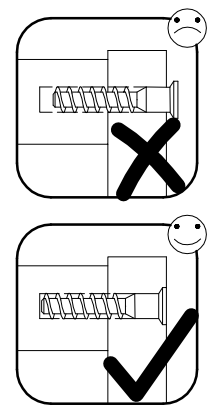
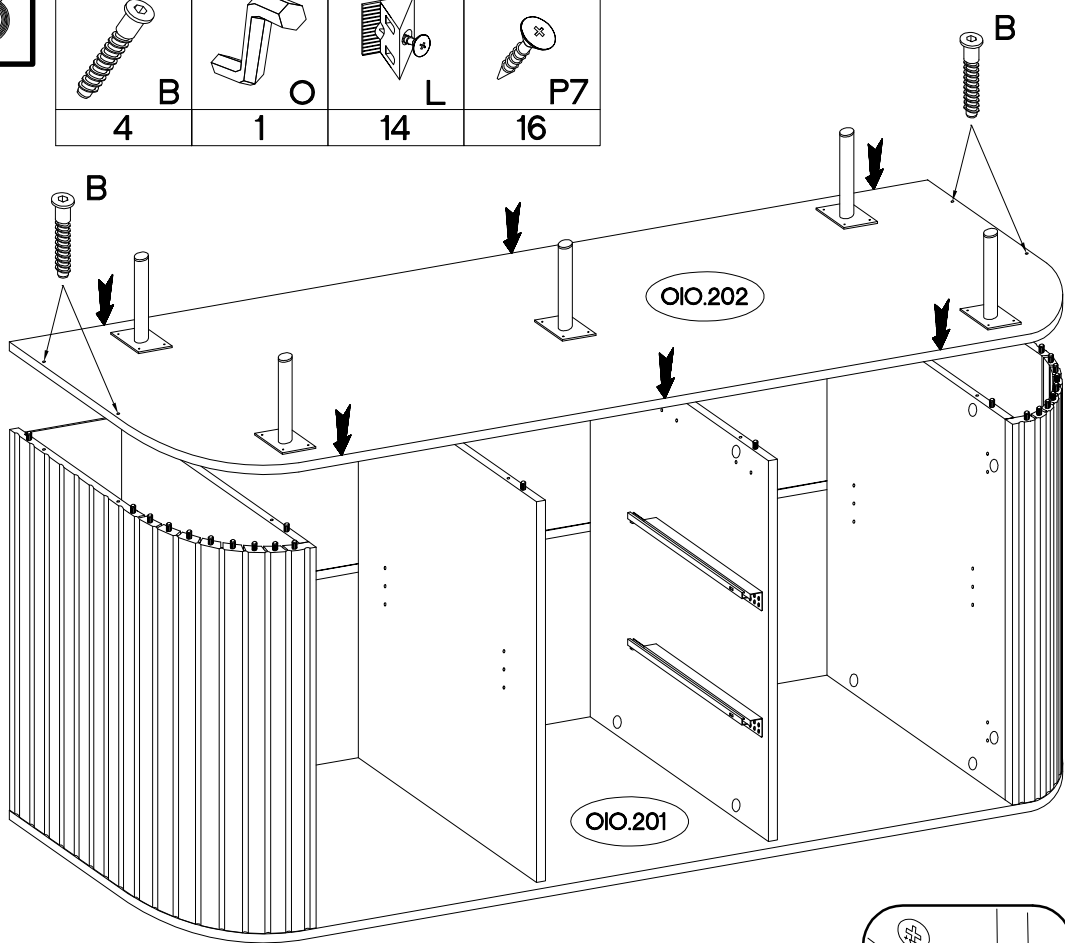
9

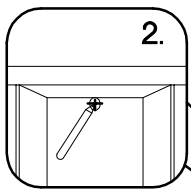




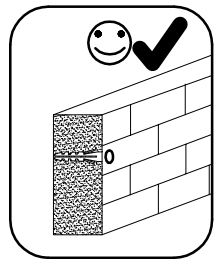
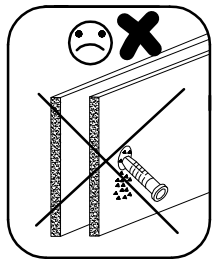
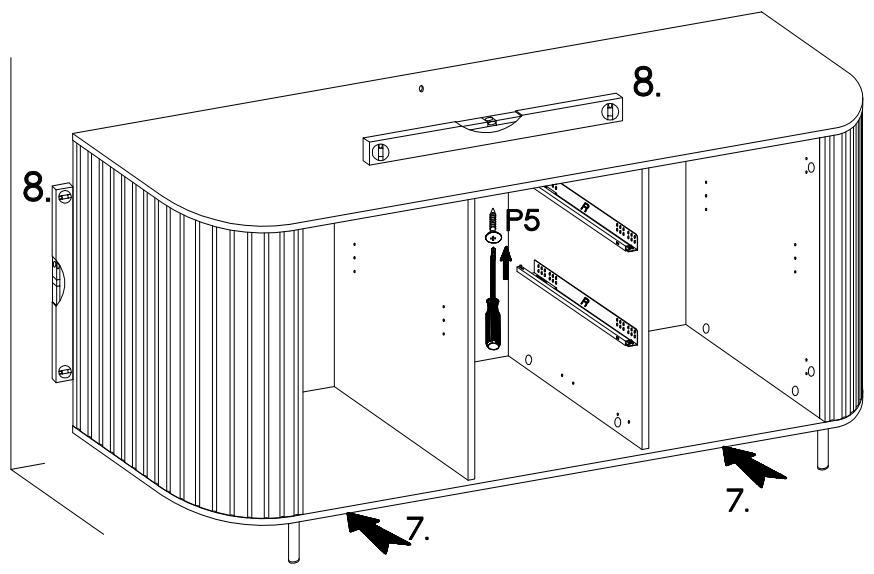
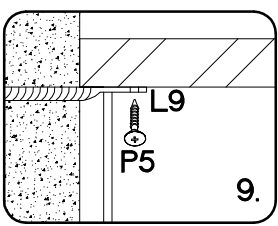
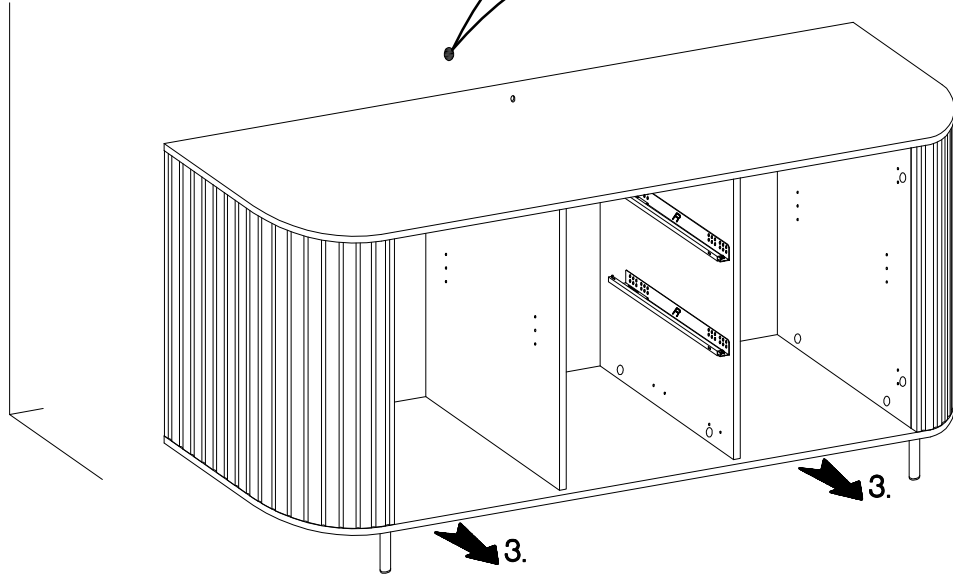
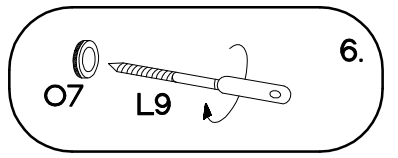
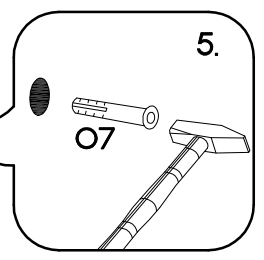
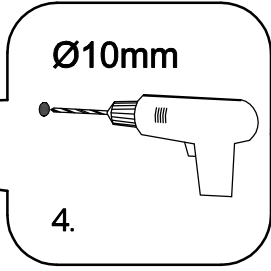
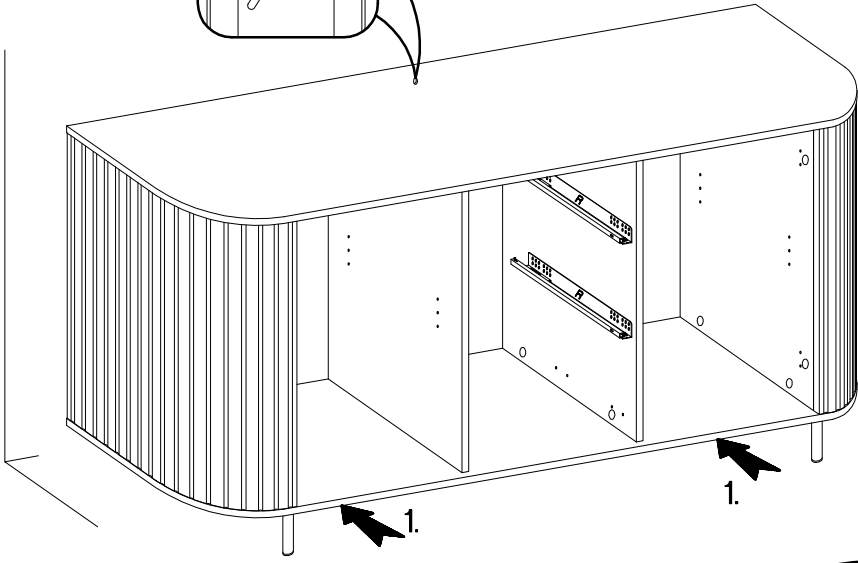


6.4 x 50mm  B 4	 O 1	 L 14	3.0x20mm  P7 16
----------------------------------------------------------------------------------------------------------	--------------------------------------------------------------------------------------------	---------------------------------------------------------------------------------------------	----------------------------------------------------------------------------------------------------------

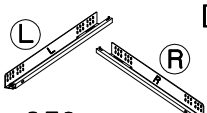



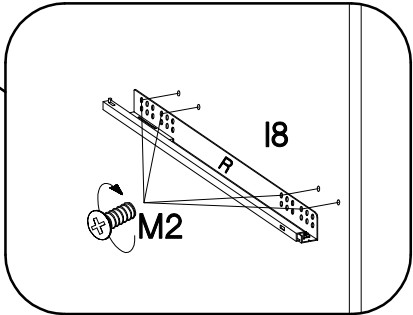
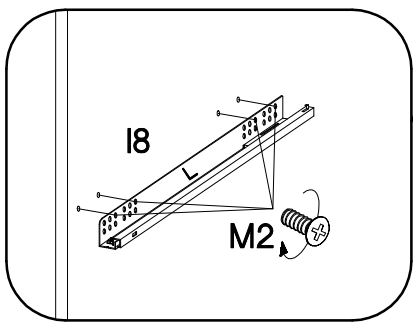
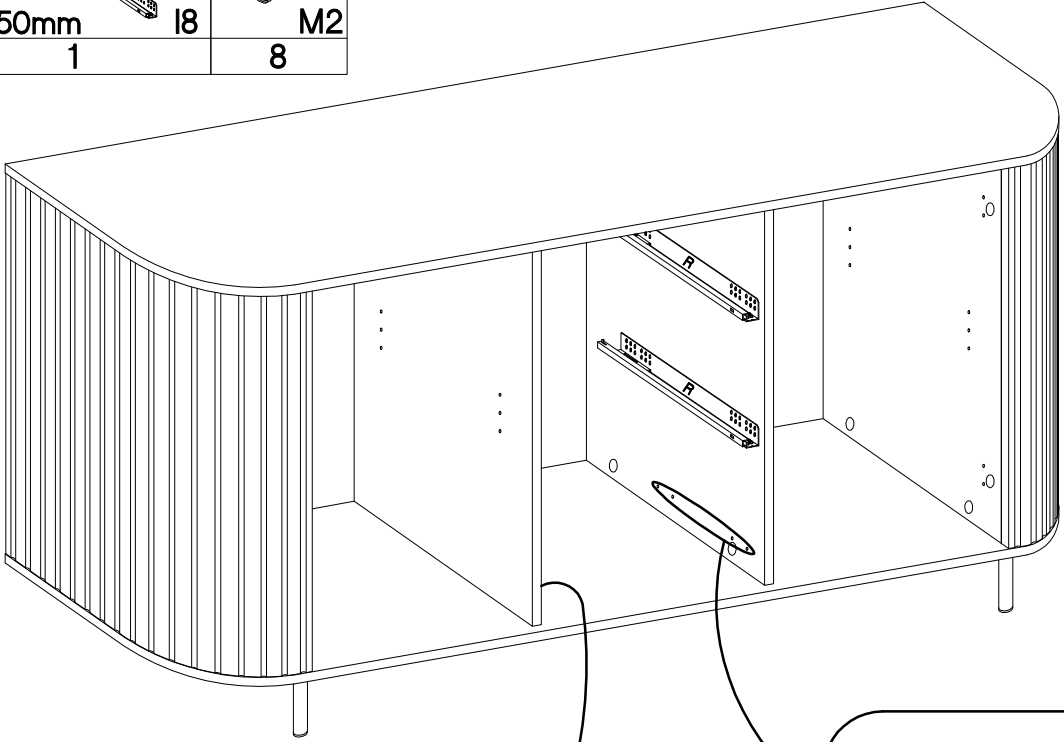


 +10x50mm O7 1	 L9 1	 +3.5x13mm P5 1
-------------------------	-------------	--------------------------

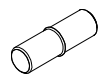


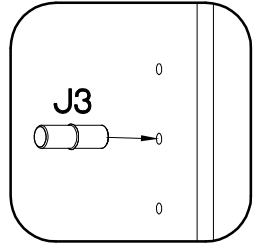
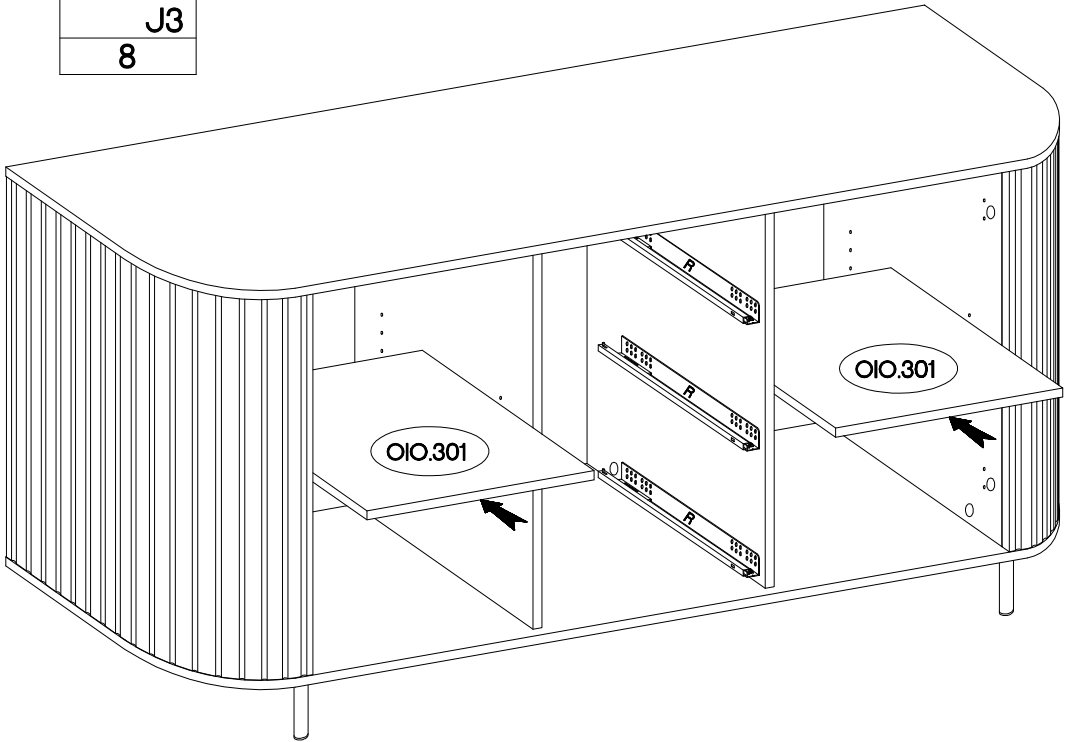
# 15

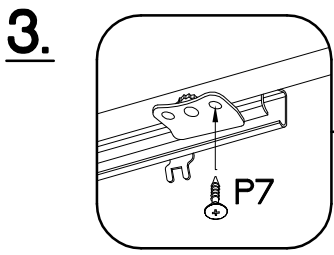
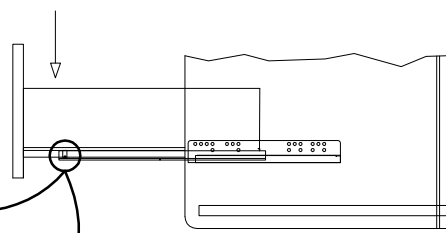
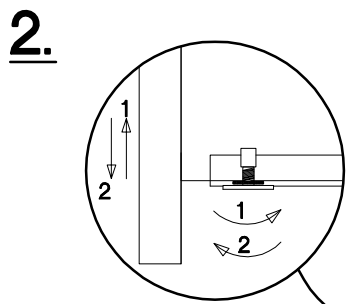
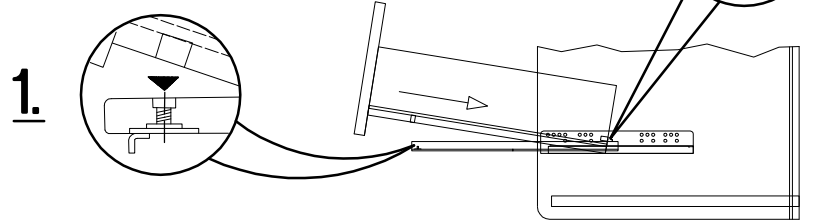
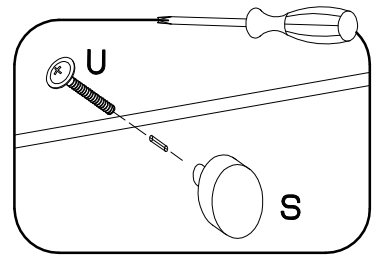
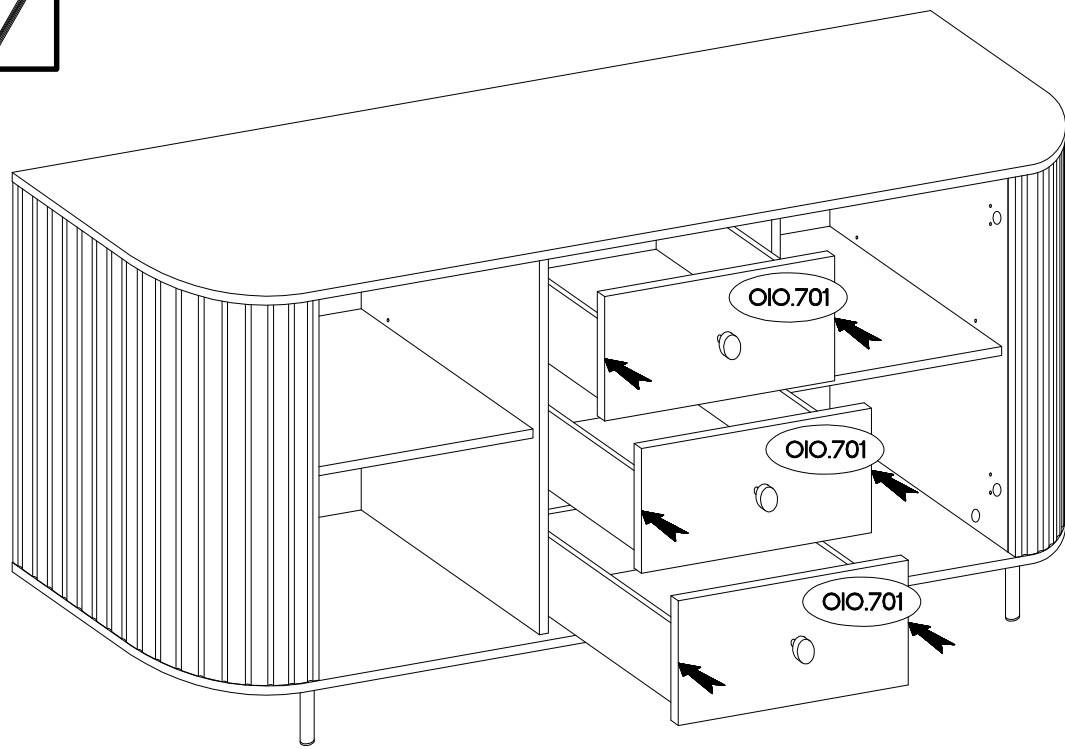
 L=350mm 1	[CD] +6.3x13mm  8 M2
--------------------------------------------------------------------------------------------------	---------------------------------------------------------------------------------------------------------------



# 16

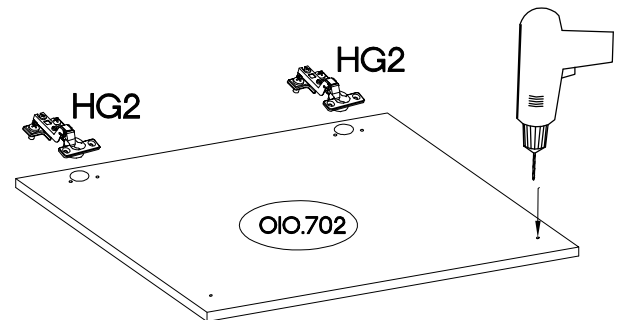
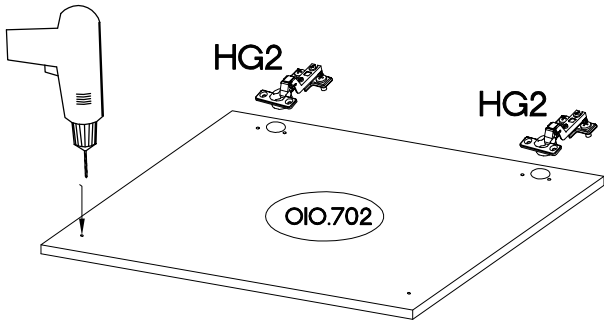
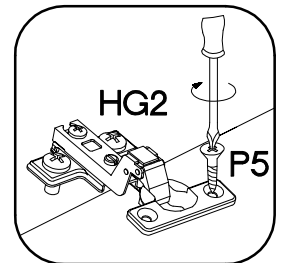
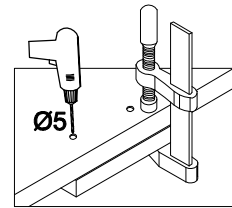
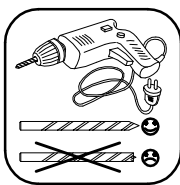
+5/16mm  J3 8
-----------------------------------------------------------------------------------------------------------

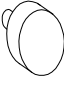

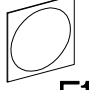




	M4x22mm	φ3.0x20mm
3	3	6

φ35/16mm	φ3.5x13mm
[CD] HG2	P5
4	8



 S 2	M4x22mm  U 2	t20  E11 8
--------------------------------------------------------------------------------------------	-------------------------------------------------------------------------------------------------------	-----------------------------------------------------------------------------------------------------

