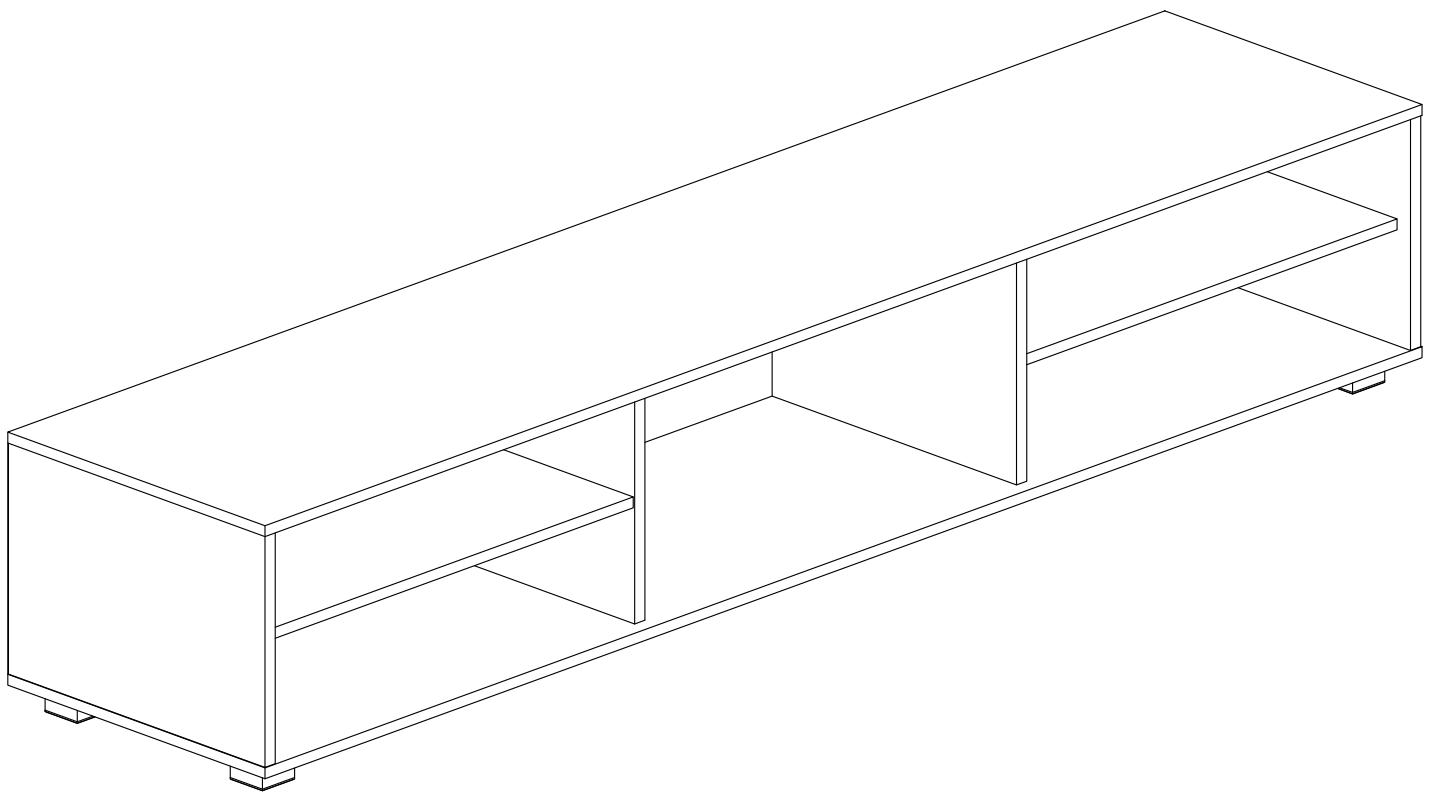


ASSEMBLY INSTRUCTION

TV 61

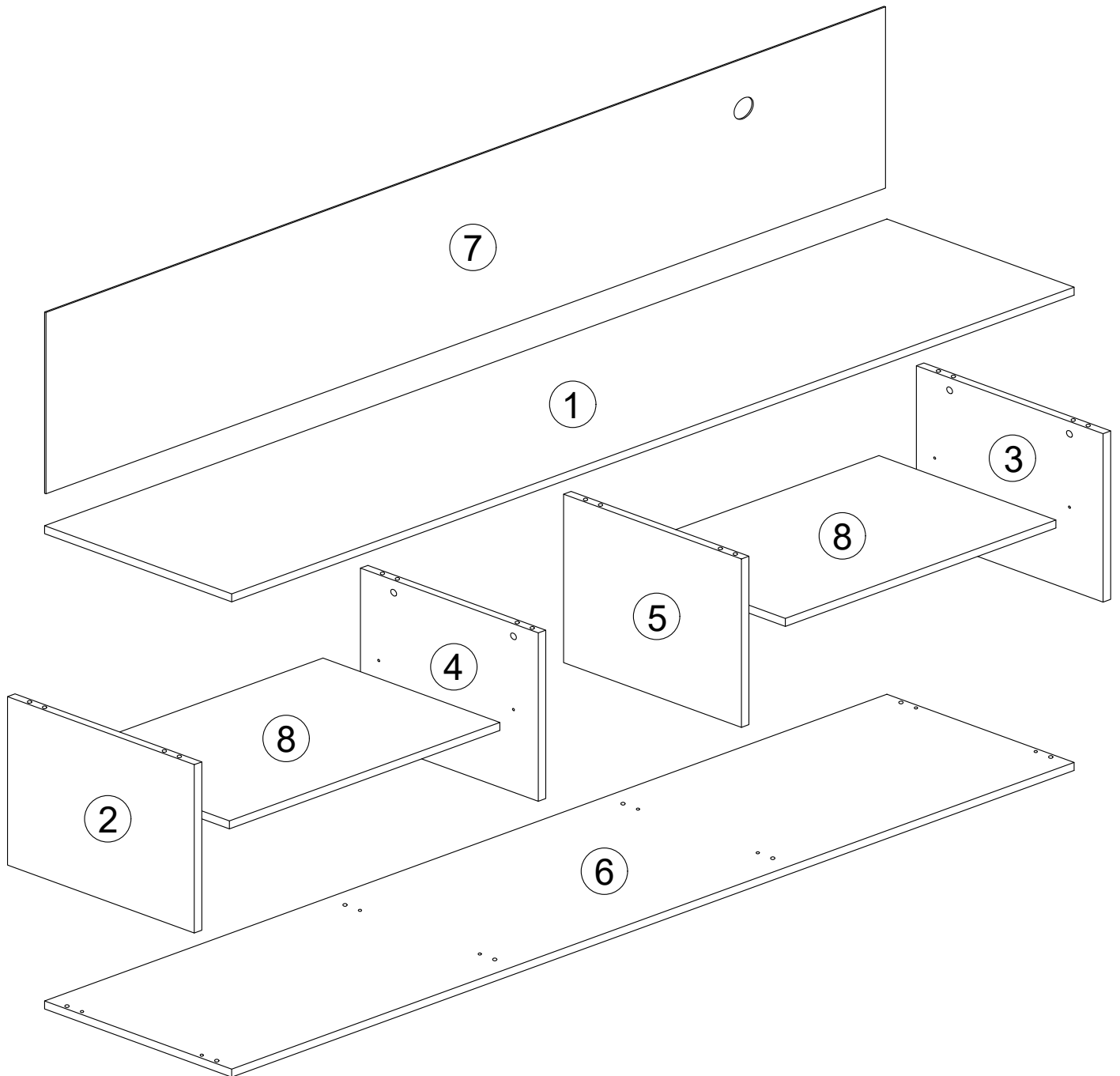
TV Cabinet



ASSEMBLY INSTRUCTION

TV 61

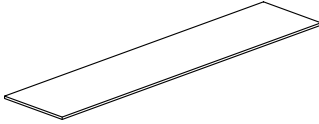
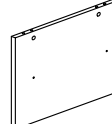
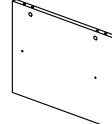
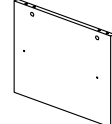
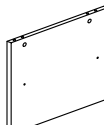
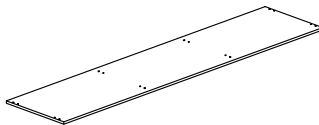
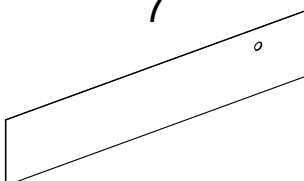
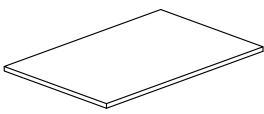
TV Cabinet









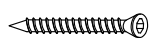
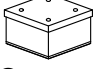


ASSEMBLY INSTRUCTION

TV 61 TV Cabinet

PART LIST

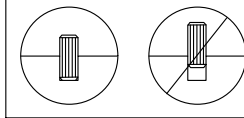
1  Top Panel 1 PC	2  Side Panel L 1 PC	3  Side Panel R 1 PC	4  Center Panel L 1 PC
5  Center Panel R 1 PC	6  Bottom Panel 1 PC	7  Back Panel 1 PC	8  Shelf Panel 2 PCS

HARDWARE LIST

A  Camlock 15MM 8 PCS	B  Camlock Bolt 15MM 8 PCS	C  M8x25MM Wood Dowel 16 PCS	D  CB Screw M3.5x16MM 20 PCS
E  Sticker 8 PCS	F  Nail 5/8 30 PCS	G  Csk M6x50MM 8 PCS	H  PVC Square Leg 5 PCS
I  M4 Allen Key 1 PC	K  Shelf Support 8 PCS		

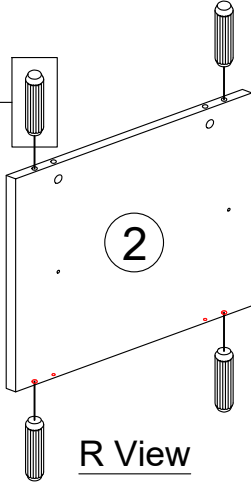
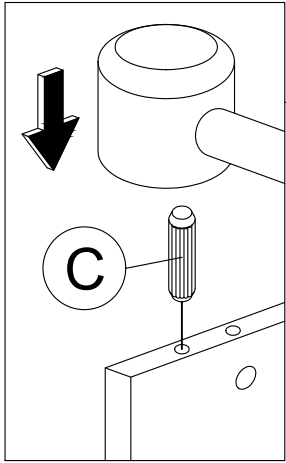
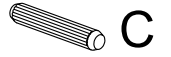
ASSEMBLY INSTRUCTION

Step 1

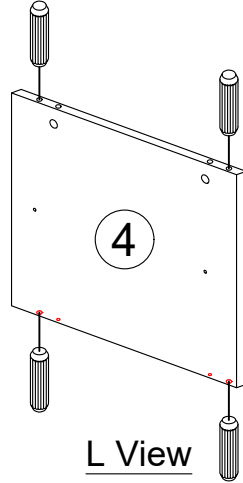


Required/Requis/Requerido

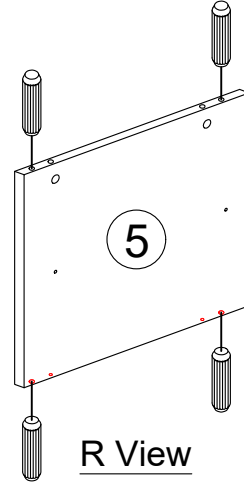
x16



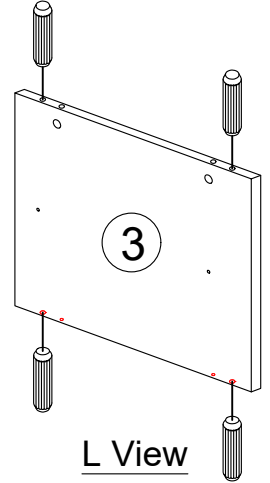
R View



L View



R View

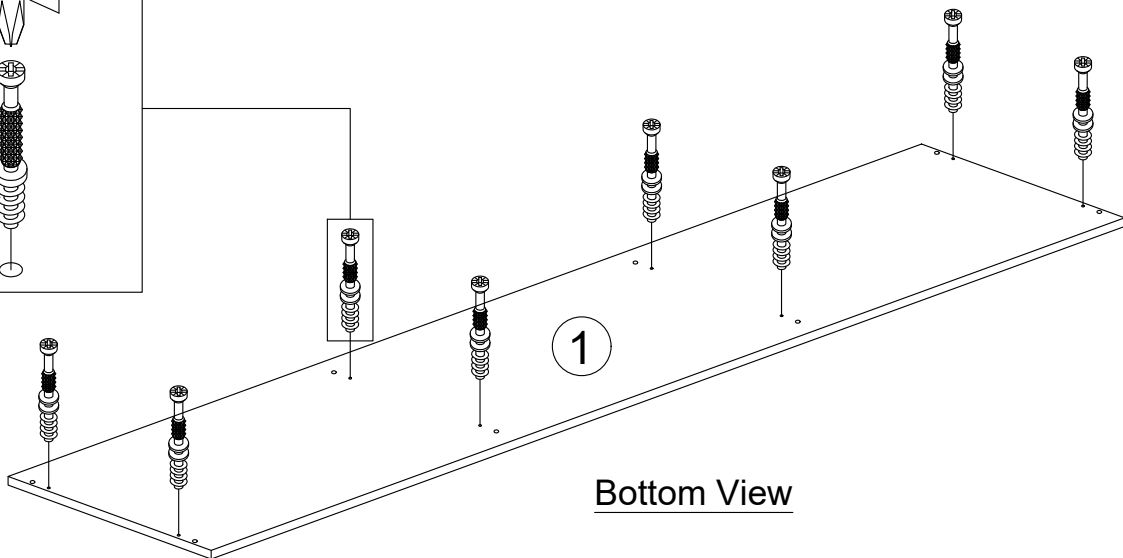
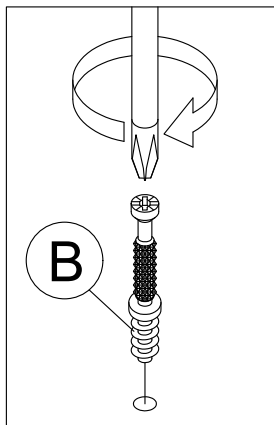


L View

Step 2

Required/Requis/Requerido

x8



Bottom View

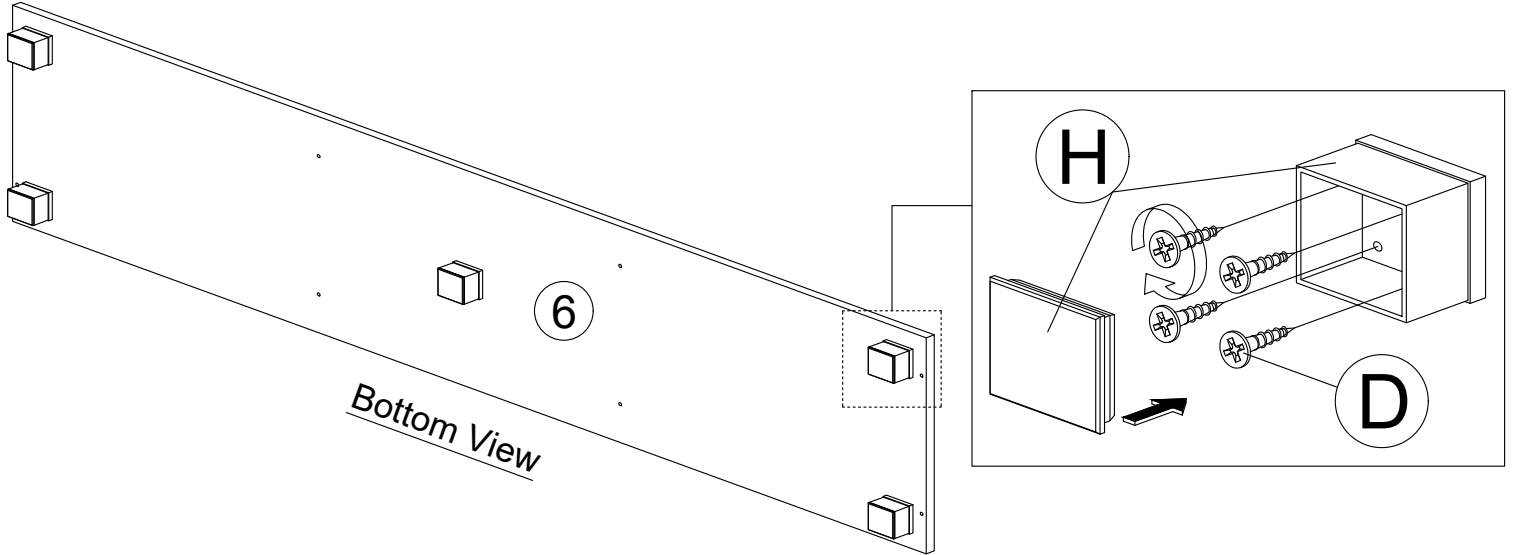
ASSEMBLY INSTRUCTION

Step 3

Required/Requis/Requerido

x20  D

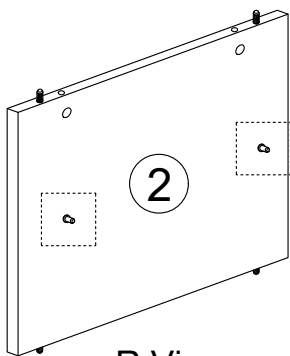
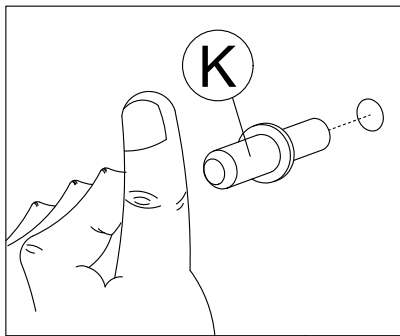
x5  H



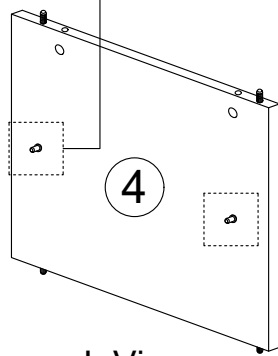
Step 4

Required/Requis/Requerido

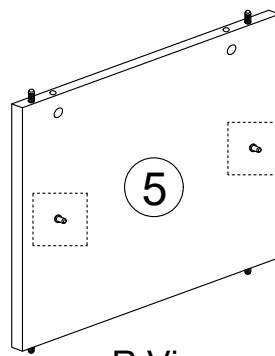
x8  K



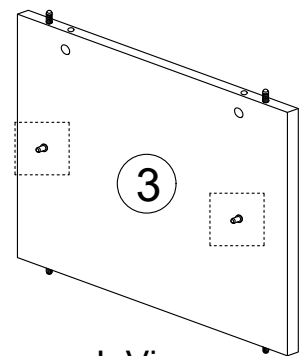
R View



L View



R View

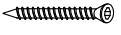


L View

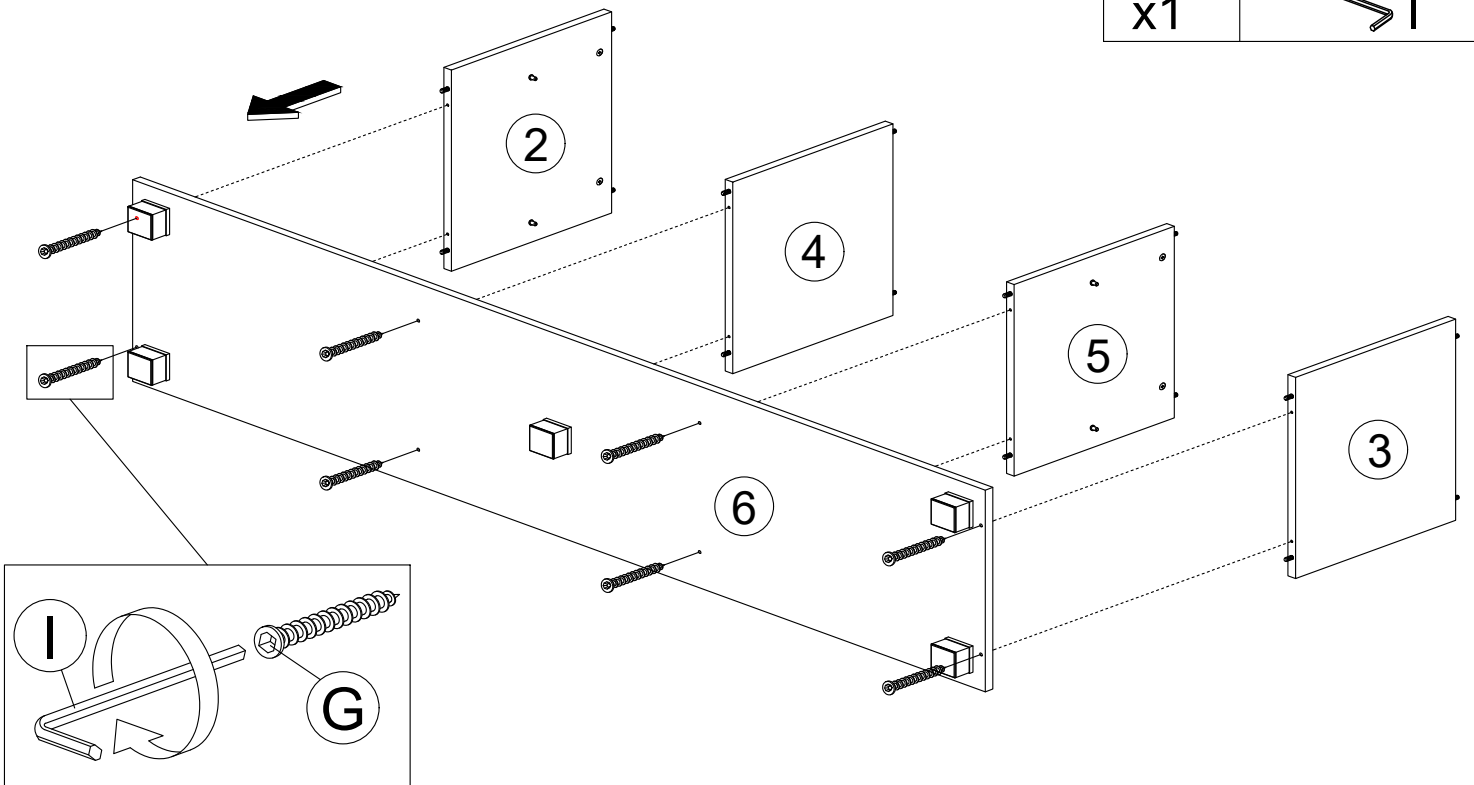
ASSEMBLY INSTRUCTION

Step 5

Required/Requis/Requerido

x8  G

x1  I

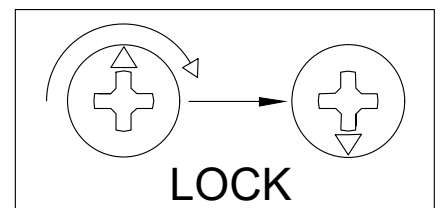
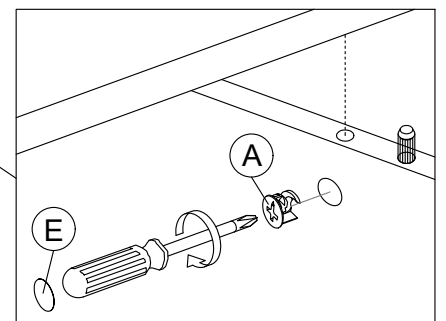
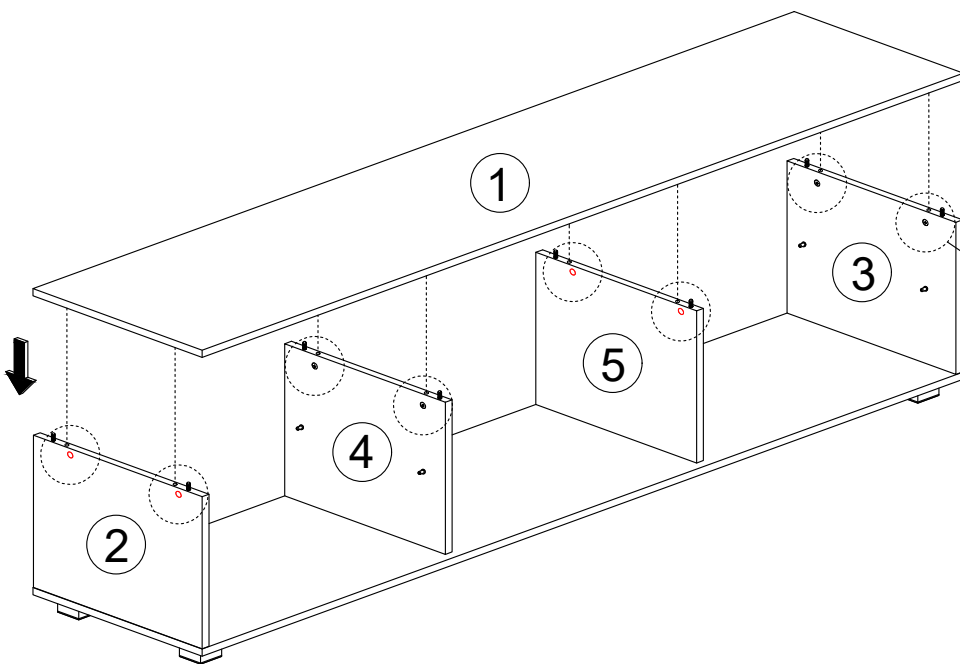


Step 6

Required/Requis/Requerido

x8  A

x8  E

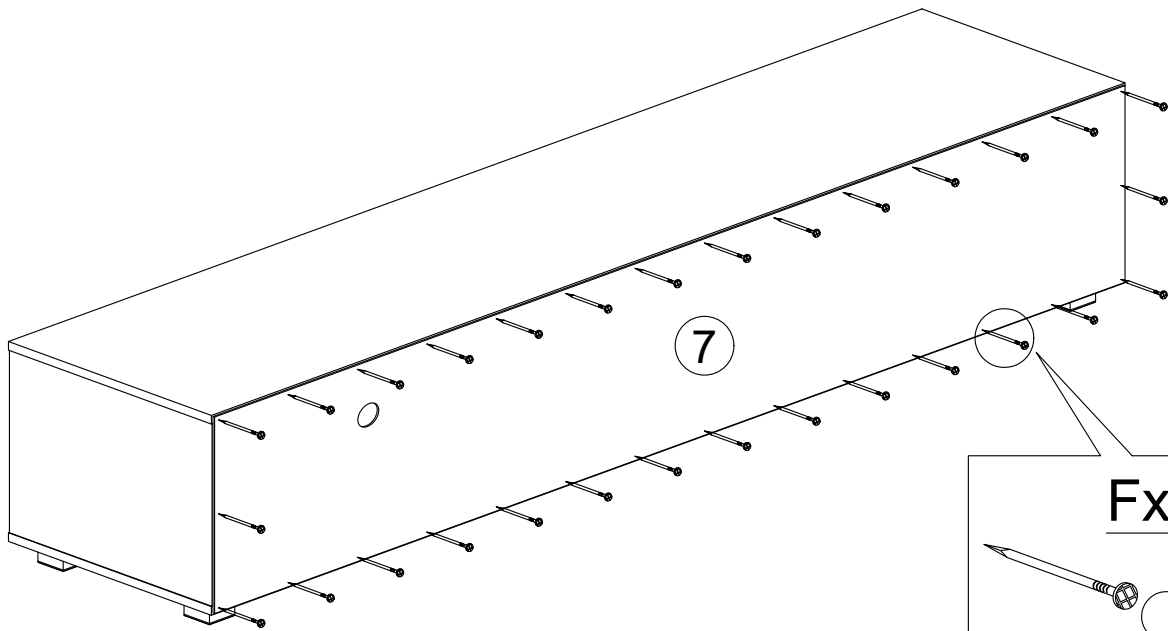
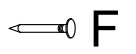


ASSEMBLY INSTRUCTION

Step 7

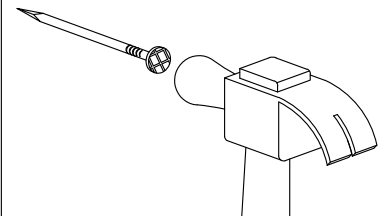
Required/Requis/Requerido

x30

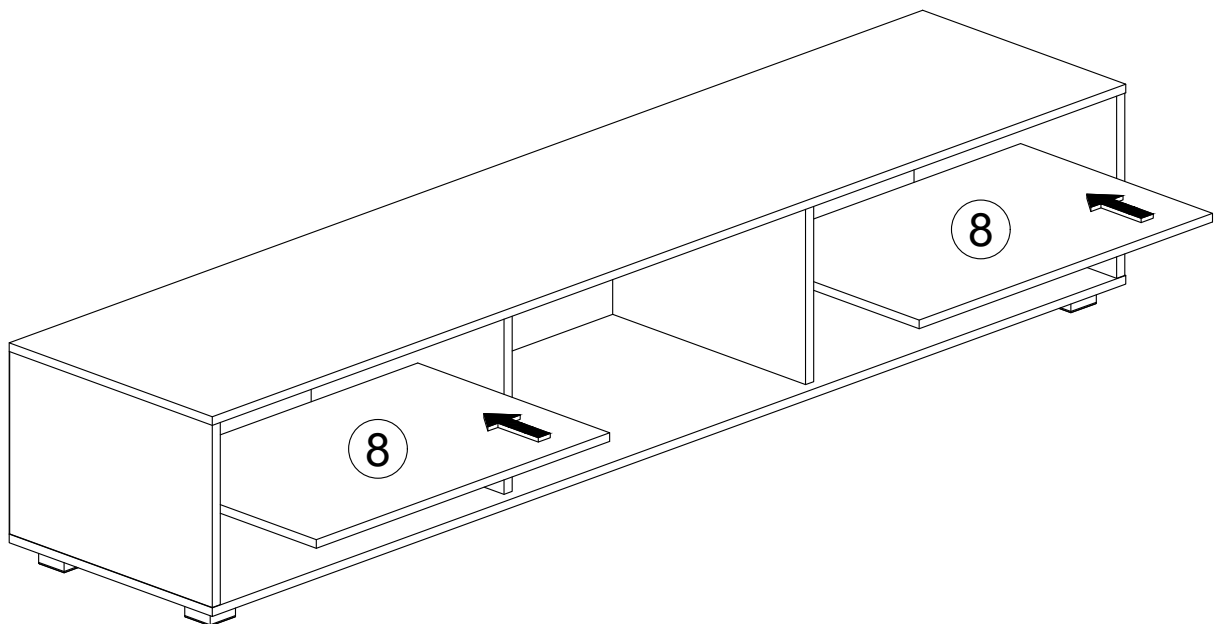


Rear View

Fx30



Step 8



ASSEMBLY INSTRUCTION

Completed

