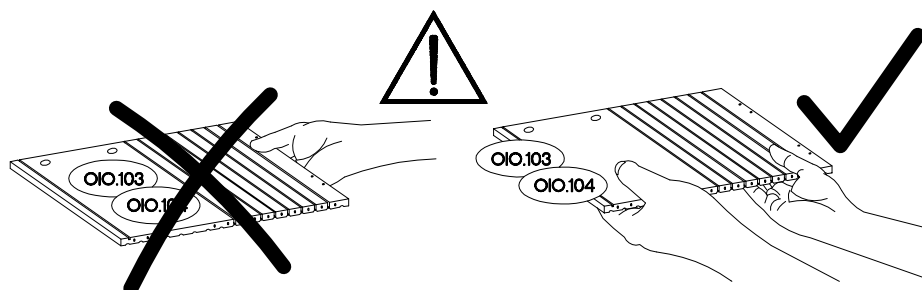
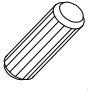


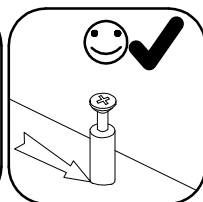
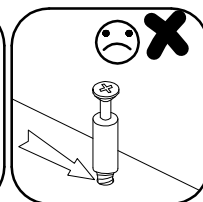
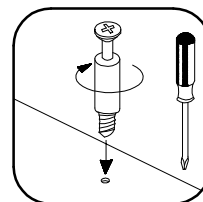
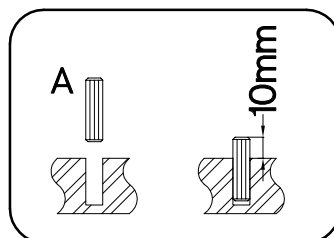
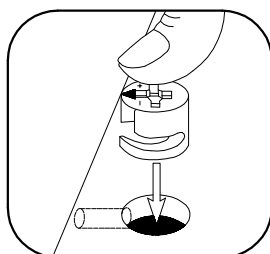
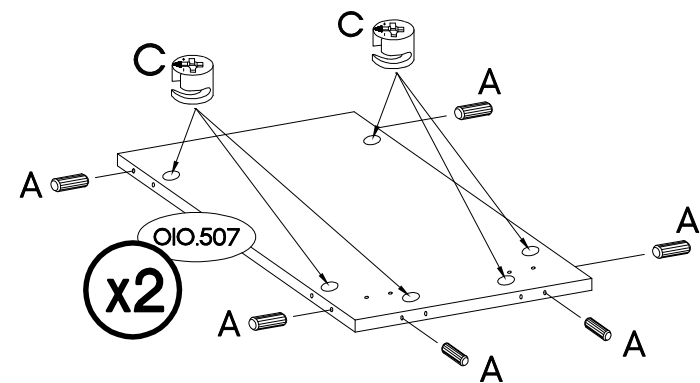
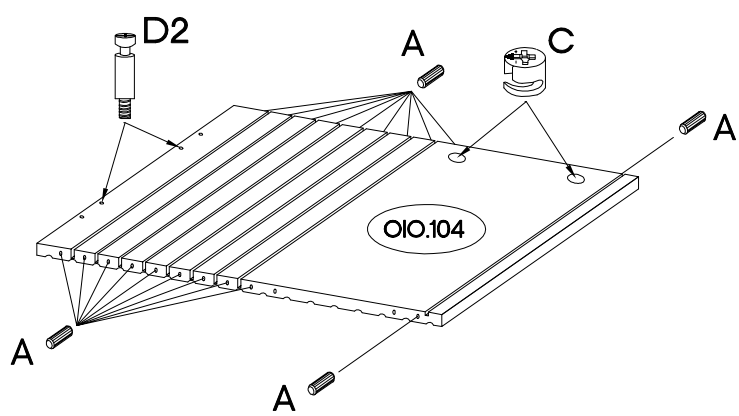
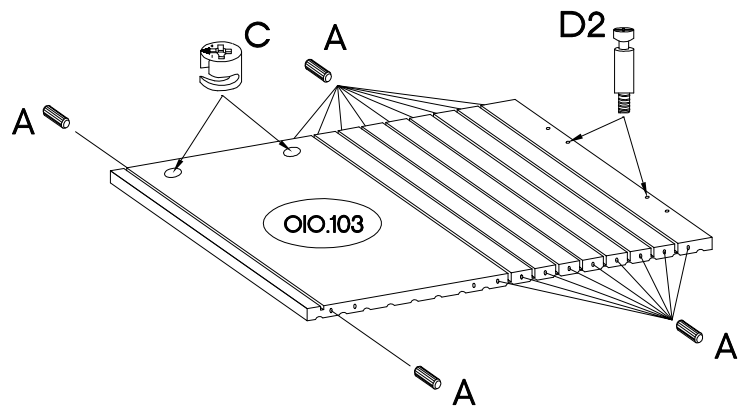
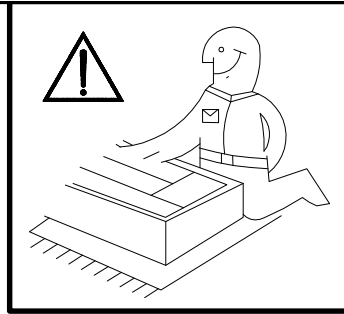




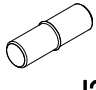


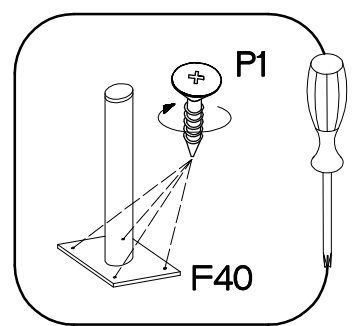
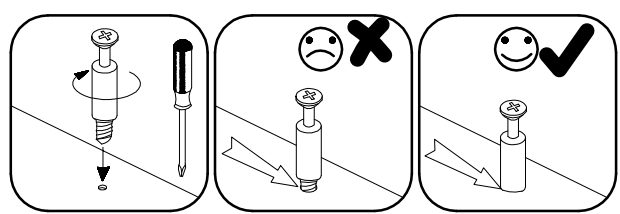
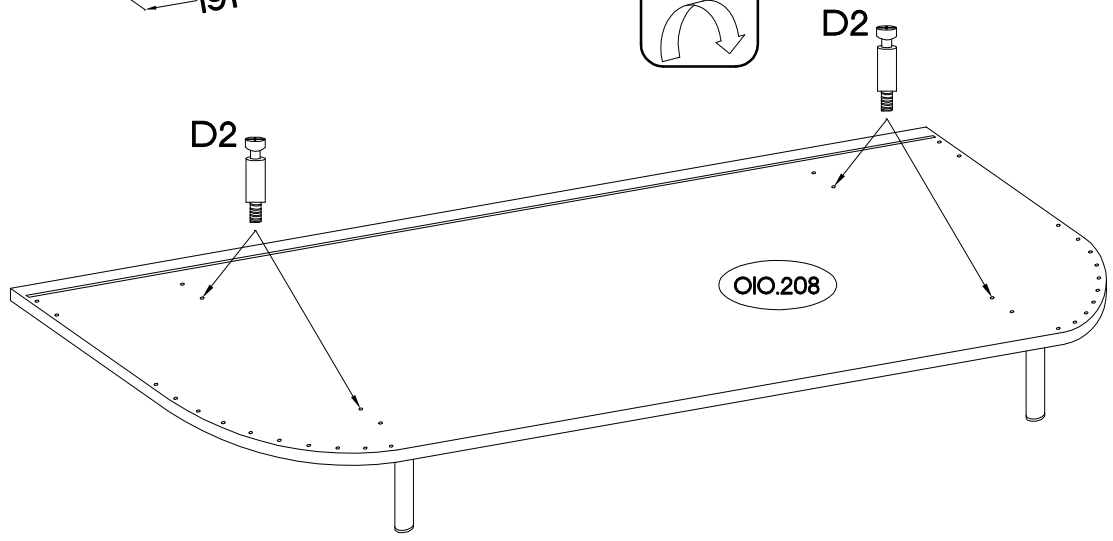
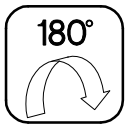
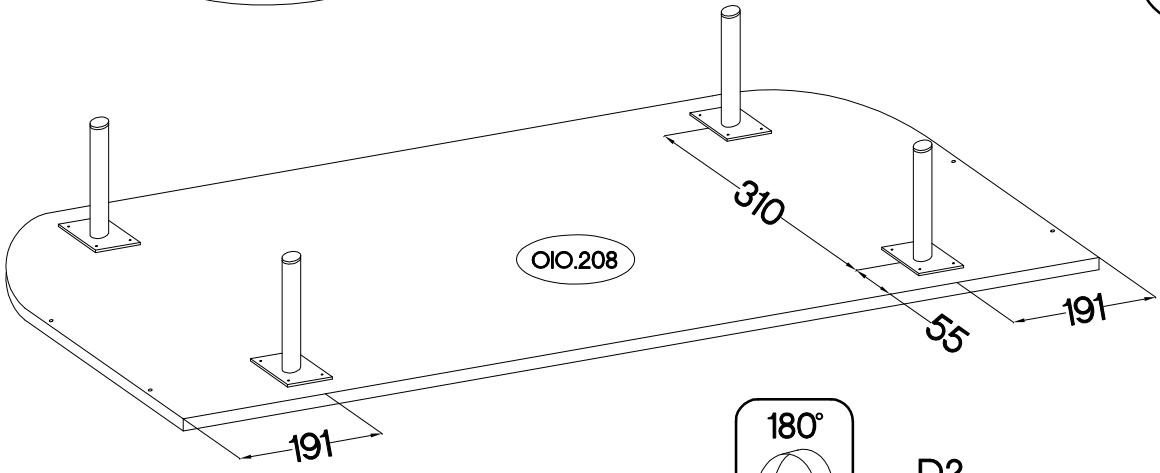
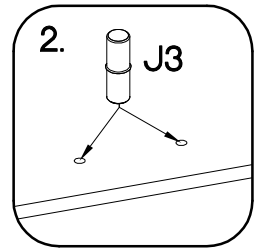
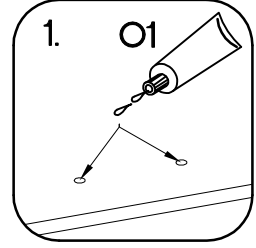
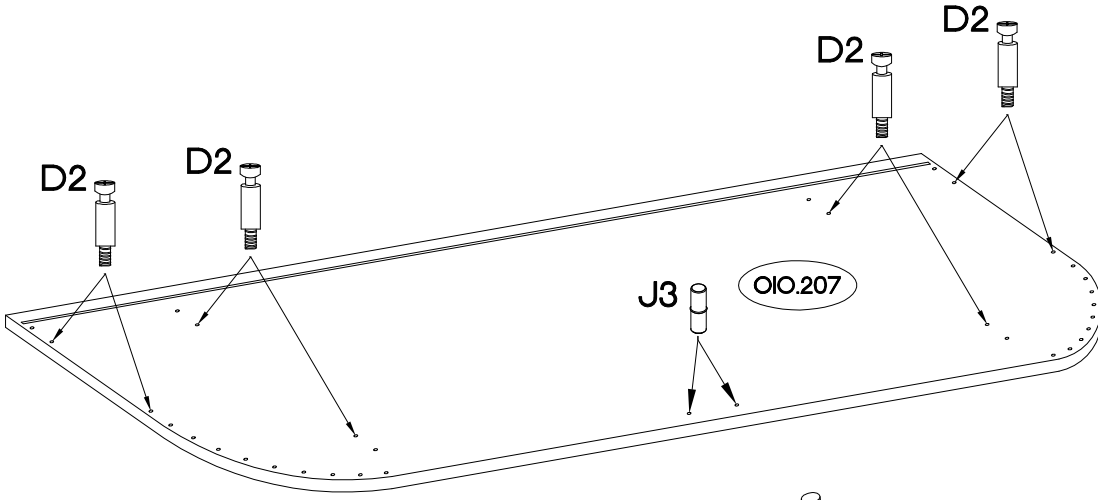
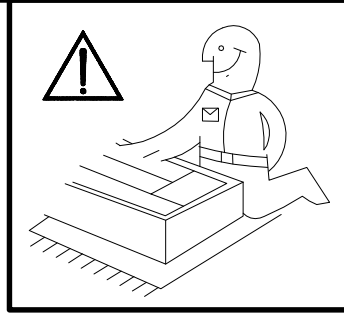
	Ersatzteil Nummer	Dimension
	OIO.207	1230x423x16
	OIO.208	1230x423x16
	OIO.507 x2	318x384x16
	OIO.607	327x1205x2,5
	OIO.704 x2	312x412x16
	OIO.103	318x544x16
	OIO.104	318x544x16



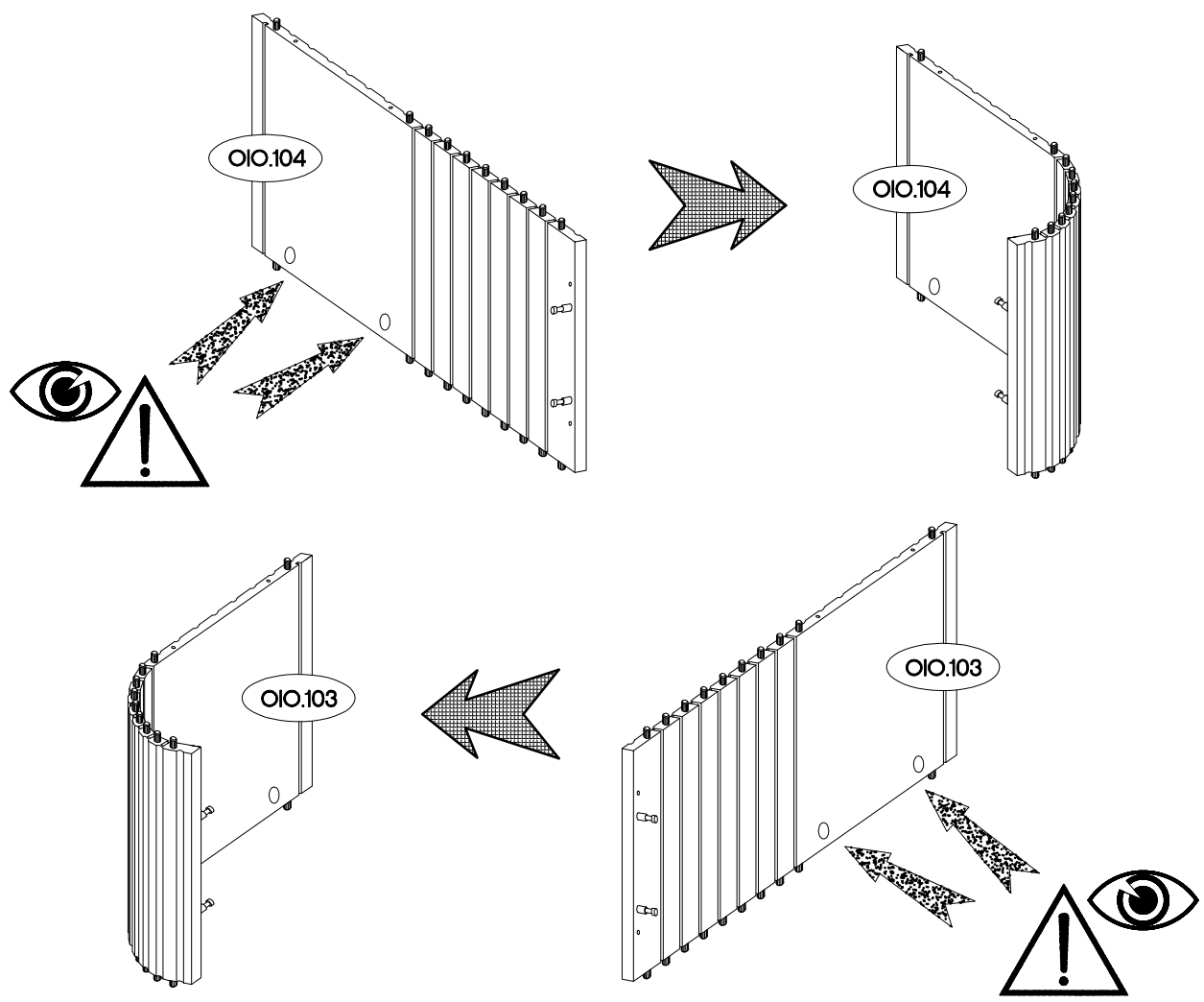
<p>±8x30mm</p>  <p>A</p> <p>52</p>	<p>±15/12mm</p>  <p>C</p> <p>16</p>	<p>L=20mm</p>  <p>D2</p> <p>4</p>
--	---	---



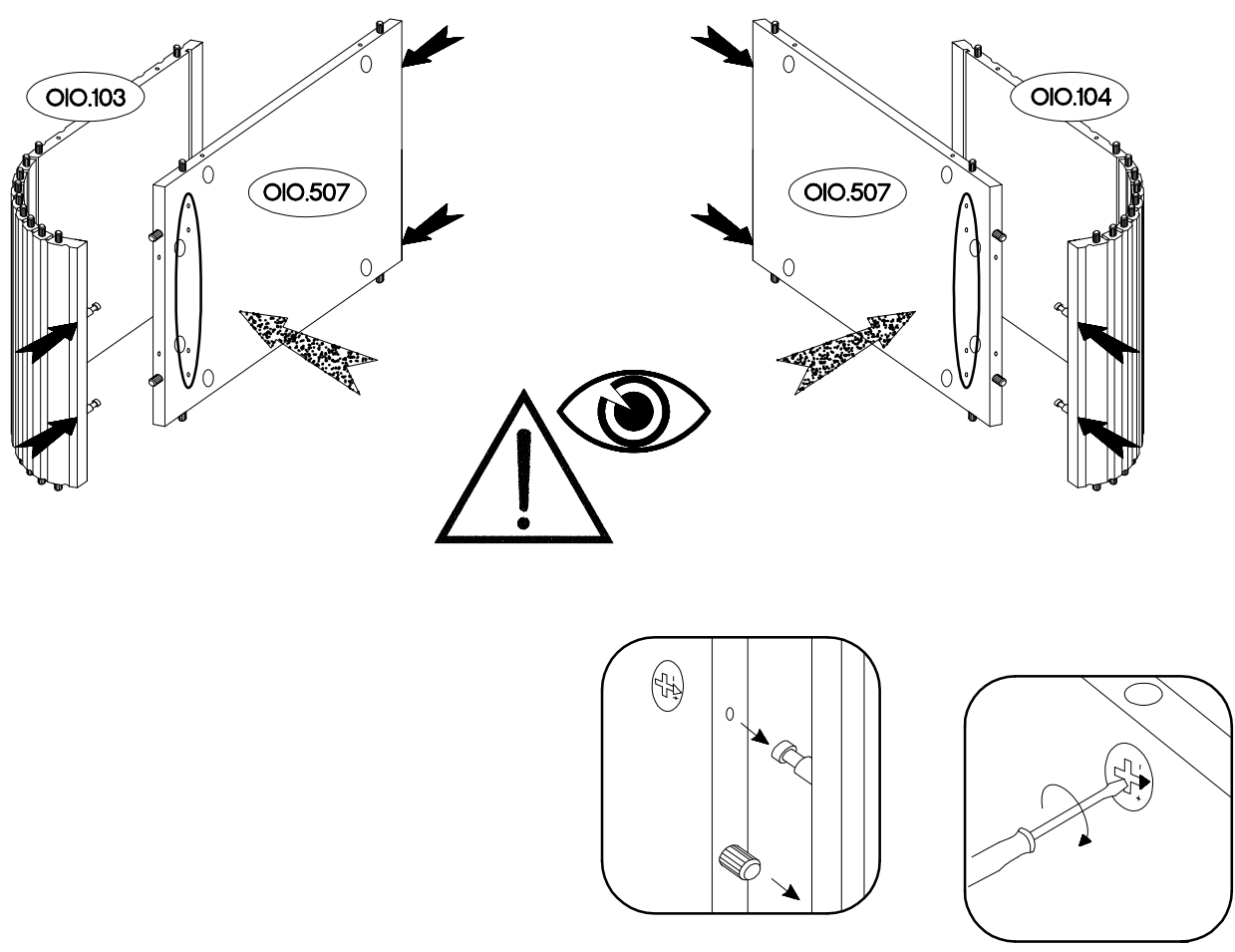
L=20mm  D2 12	L=150mm  F40 4	±4.0x16mm  P1 16	 O1 1	±5/16mm  J3 2
--	---	---	---	--



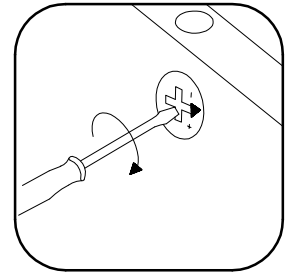
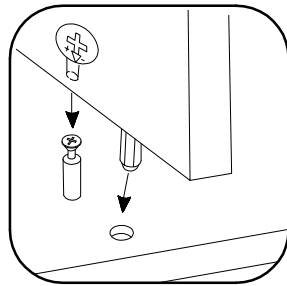
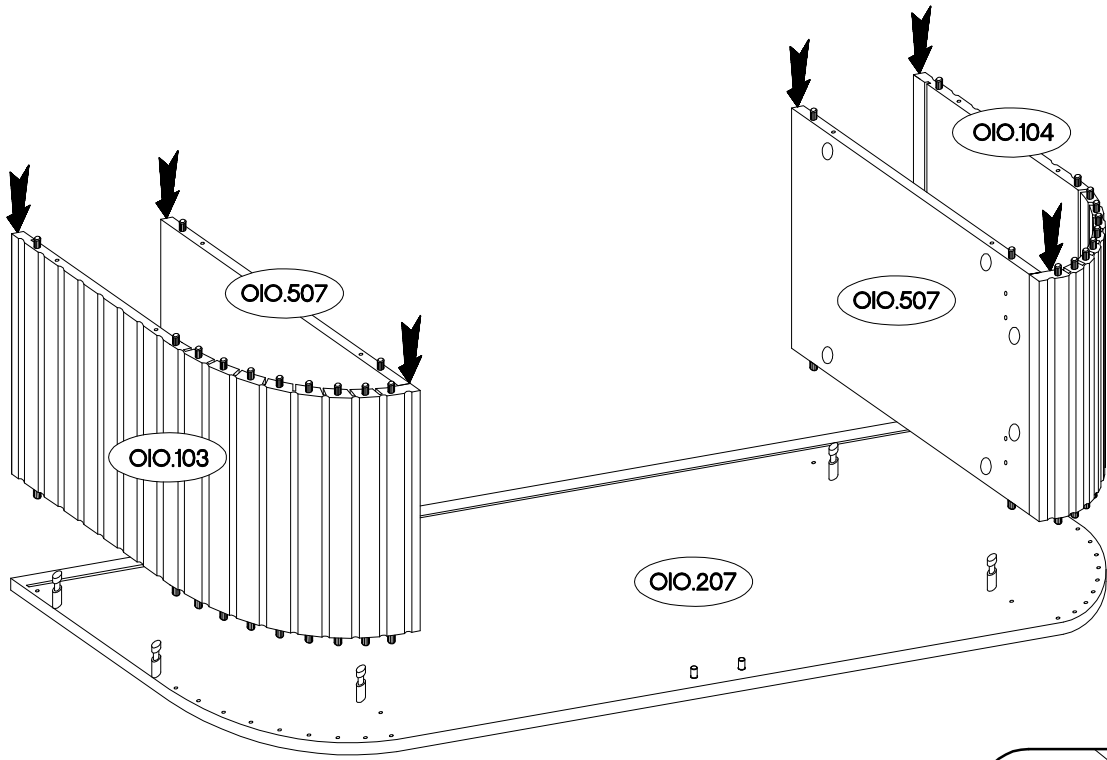
3



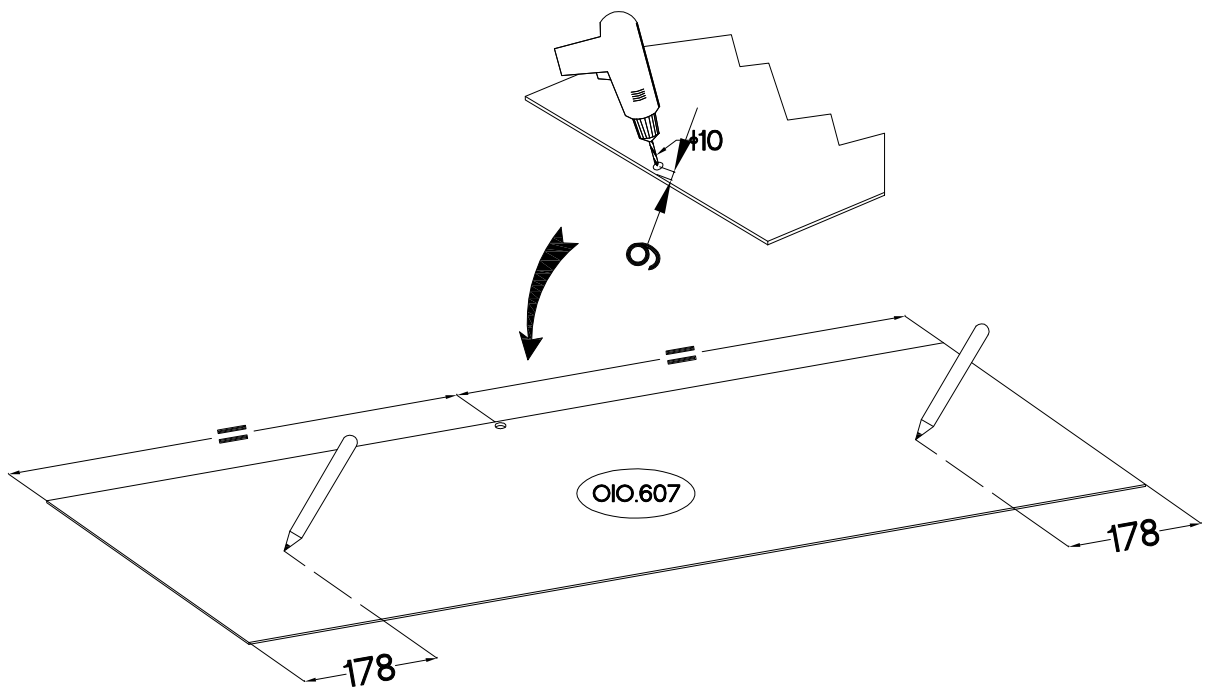
4




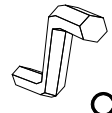
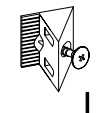

5

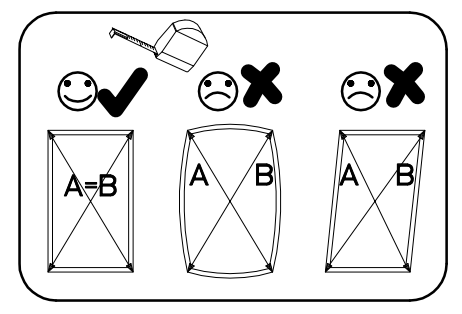
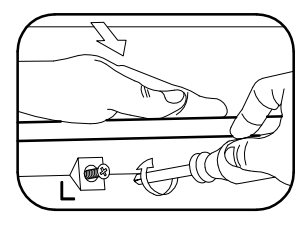
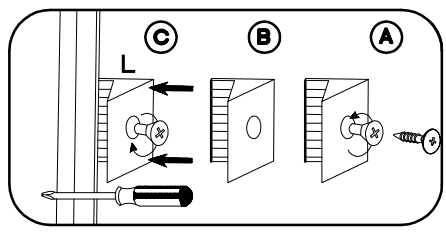
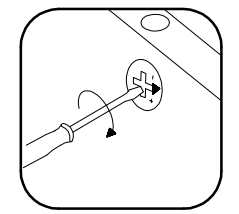
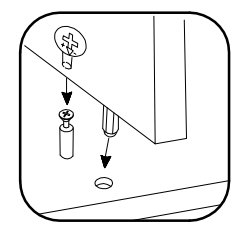
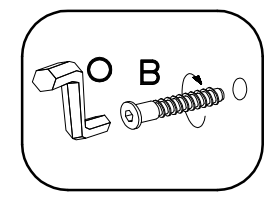
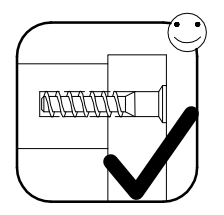
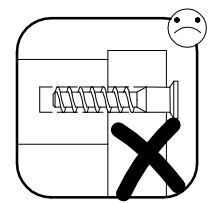
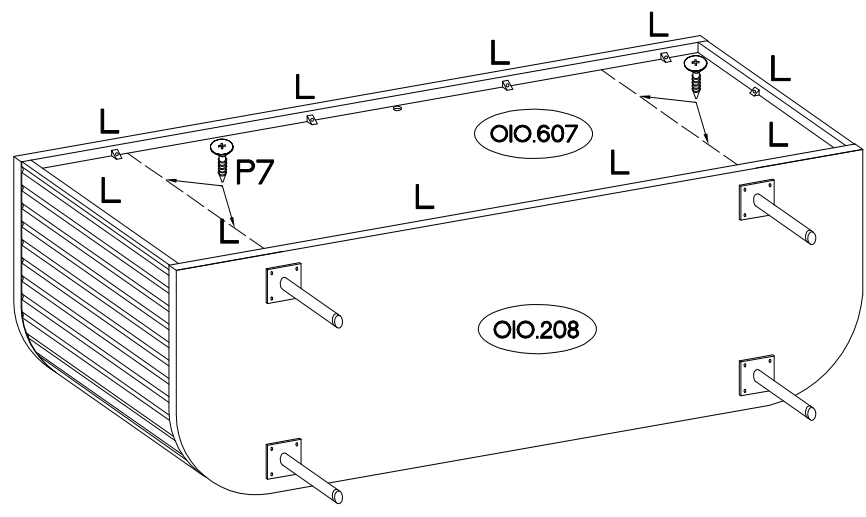
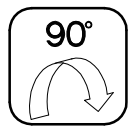
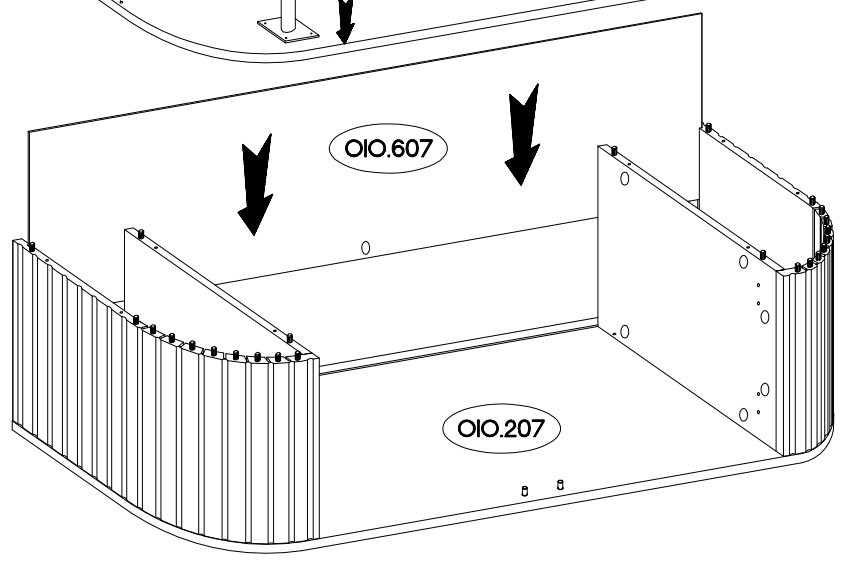
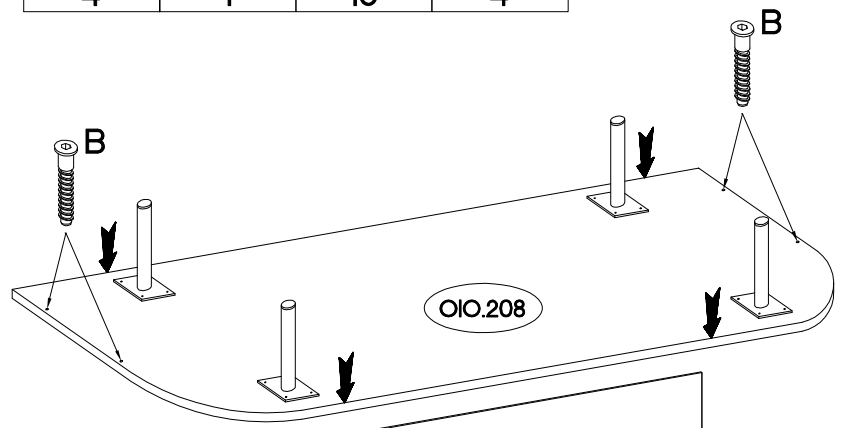





6

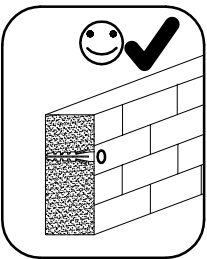
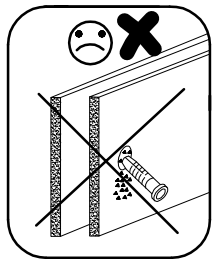
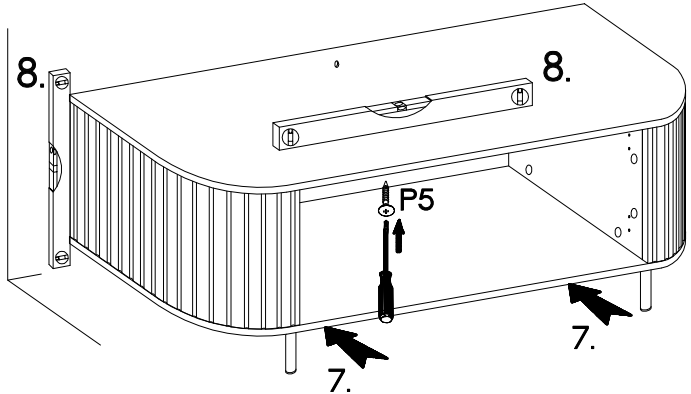
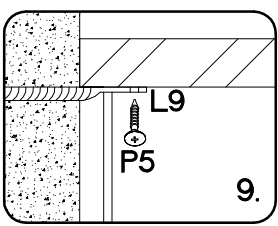
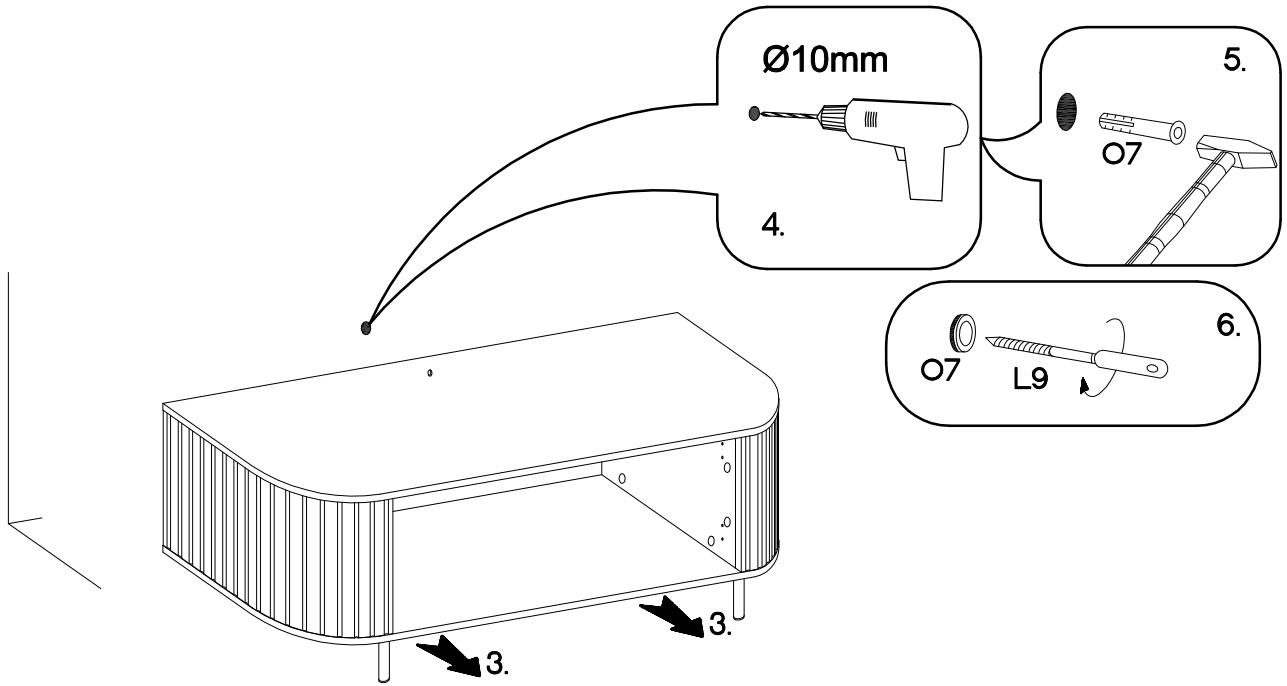
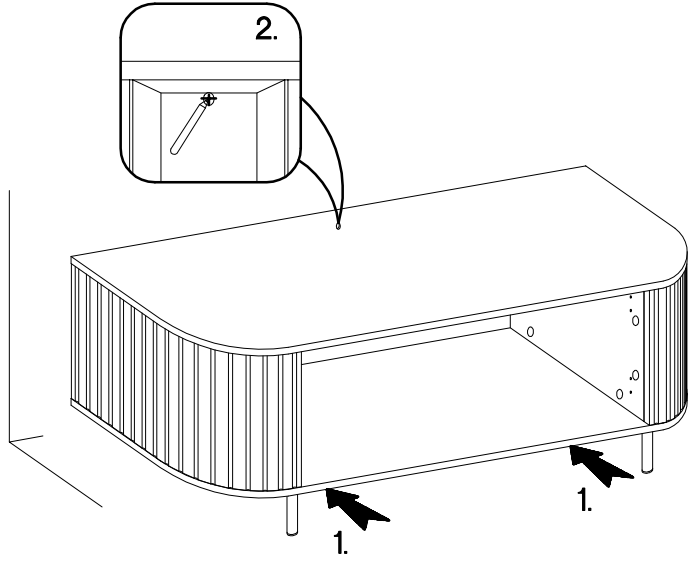


7

6,4 x 50mm  B 4	 O 1	 L 10	±3.0x20mm  P7 4
--	--	---	--

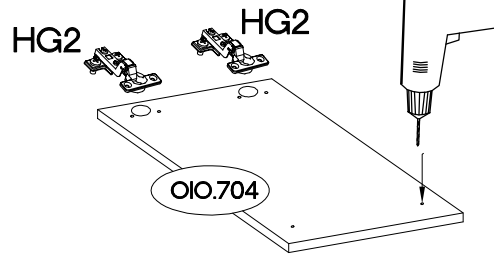
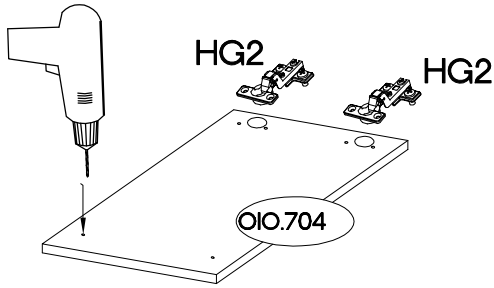
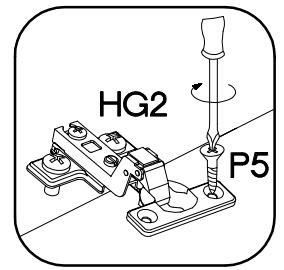
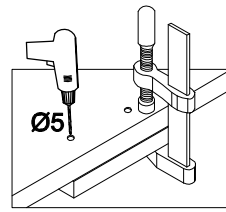
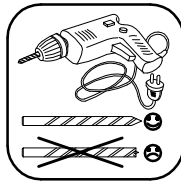


+10x50mm 		+3.5x13mm 
Ø7	L9	P5
1	1	1



9

+35/16mm	+3.5x13mm
[CD] HG2	P5
4	8



10

M4x22mm	+20
S	U
2	2
	E11
	12

