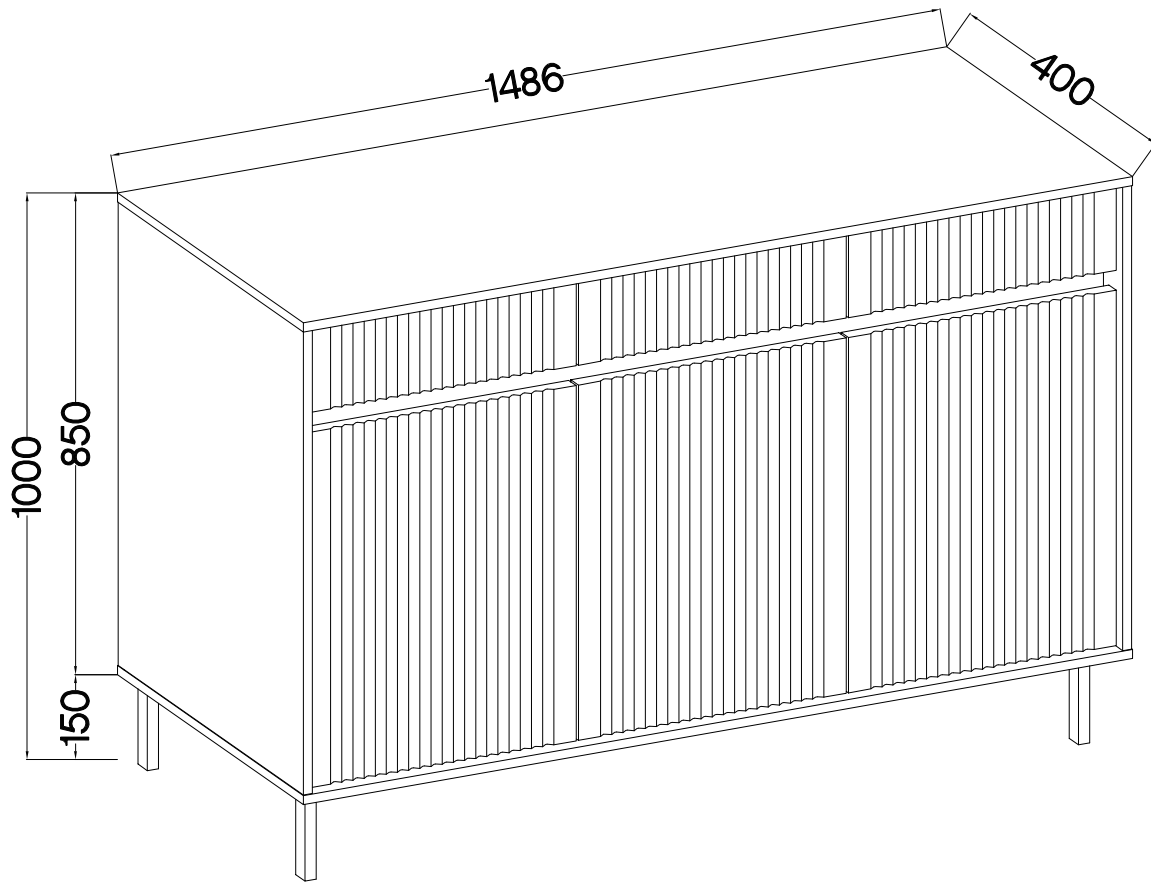
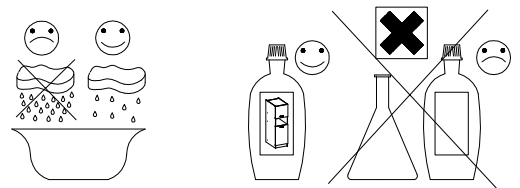
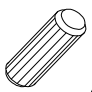








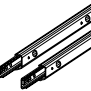
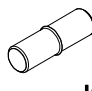

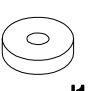
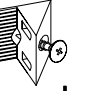
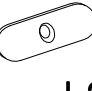



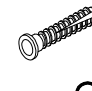
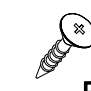


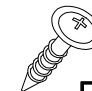
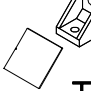

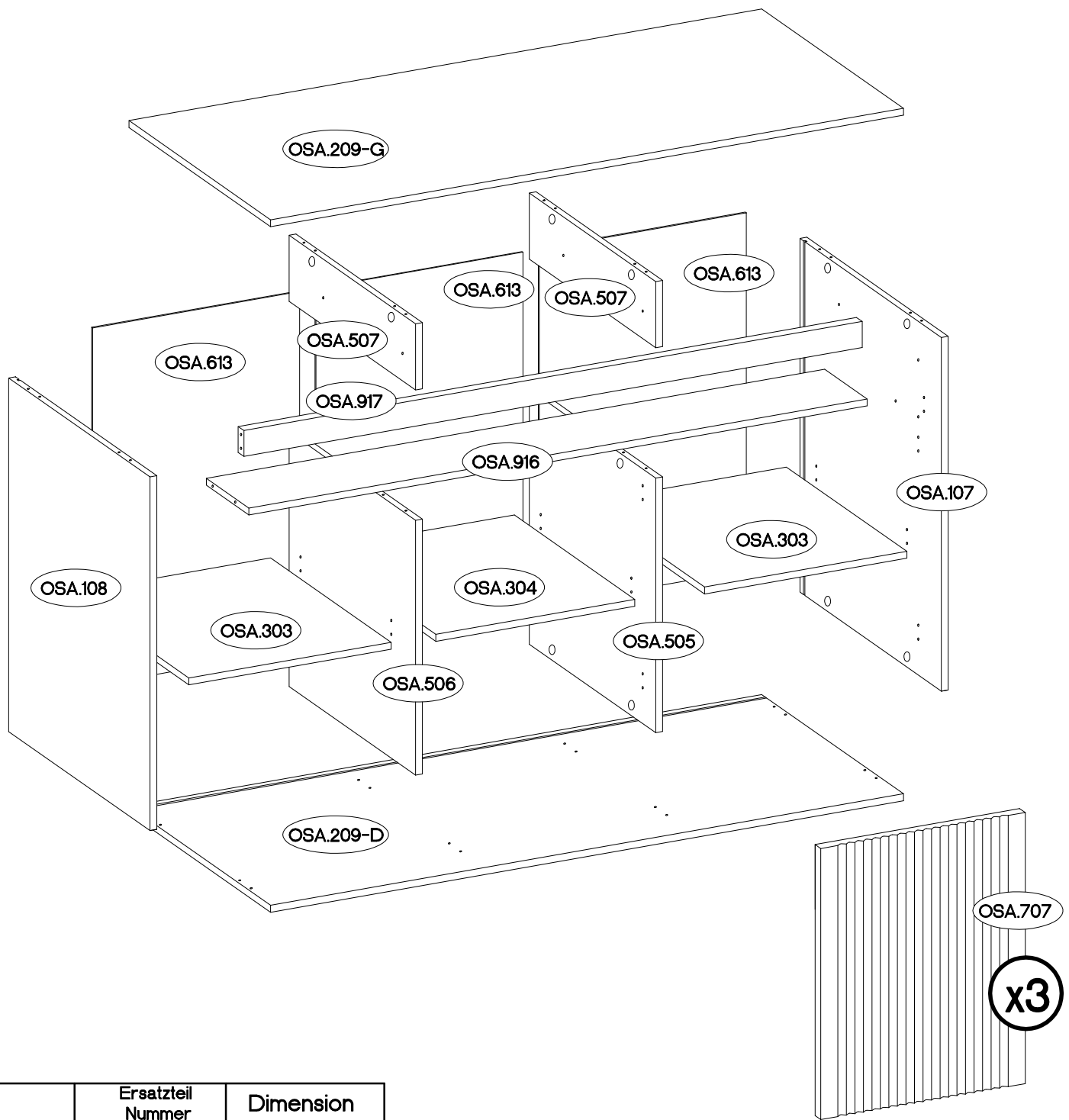



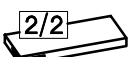
TYP 833

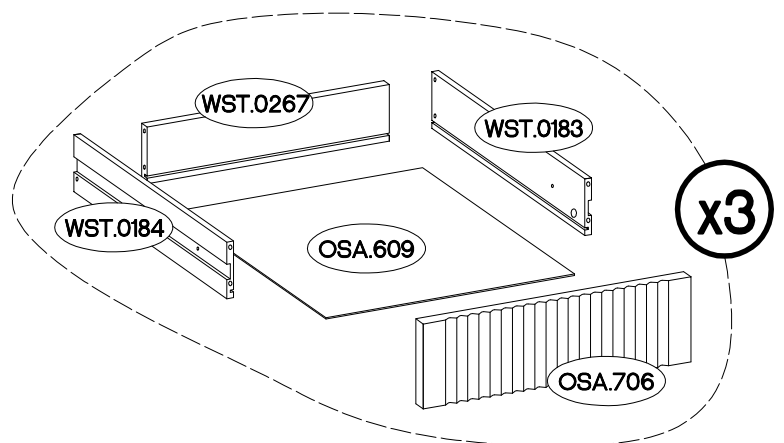


 A	 B2	 C								
36	6	20								
 C5	 D2	 E11	 F34	 HG1	 HG2	 I4	 J3	 J5	 J14	 L
6	26	12	5	2	4	3	12	3	4	24
 L2	 L9	 M2	 M3	 O7	 P1	 P5	 P7	 R11	 T3	 U1
14	1	8	4	1	6	13	14	15	3	6

ISM-OSA-008



	Ersatzteil Nummer	Dimension
	OSA.107	818x399x16
	OSA.108	818x399x16
	OSA.505	589x357x16
	OSA.506	589x357x16
	OSA.507 x2	153x357x16
	OSA.613 x3	827x486x2,5
	WST.0183 x3	330x100x12
	WST.0184 x3	330x100x12
	OSA.706 x3	150x480x16
	OSA.707 x3	627x480x16
	OSA.209 x2	1486x400x16
	OSA.916	1452x120x16
	OSA.917	1452x60x16
	OSA.303 x2	475x340x16
	OSA.304	467x340x16
	OSA.609 x3	445x327x2,5
	WST.0267 x3	434x100x12



OSA.209-G



OSA.209-D


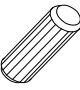
OSA.303

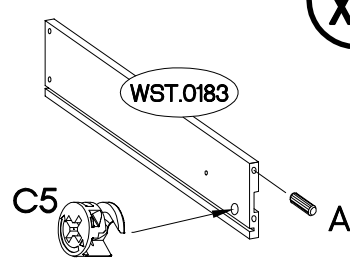
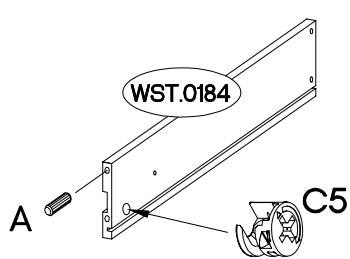
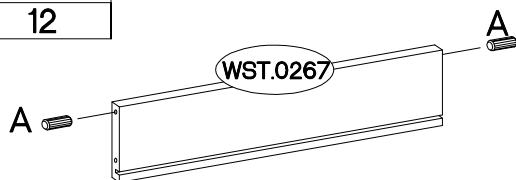
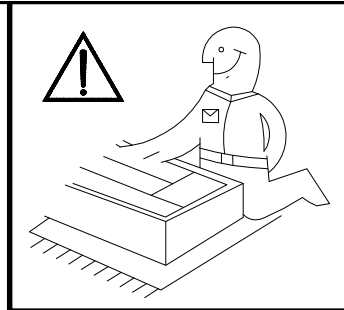
OSA.304



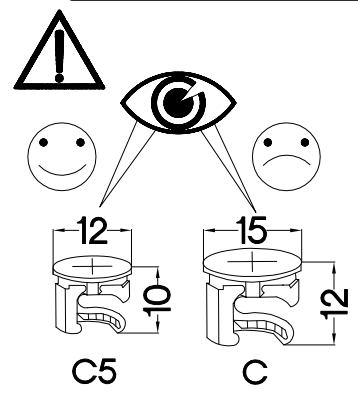
OSA.609

1

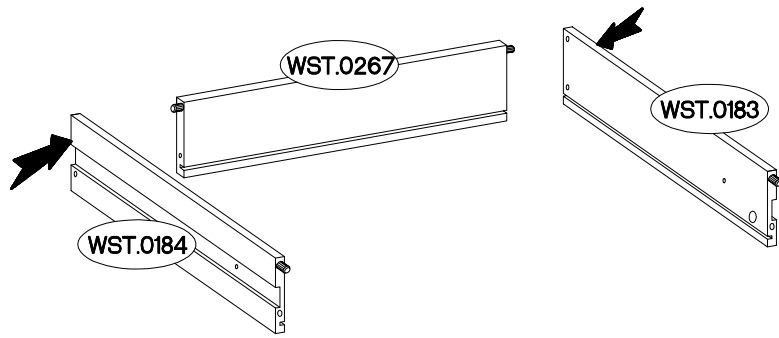
#12/10mm  C5 6	#8x30mm  A 12
---	--




x3

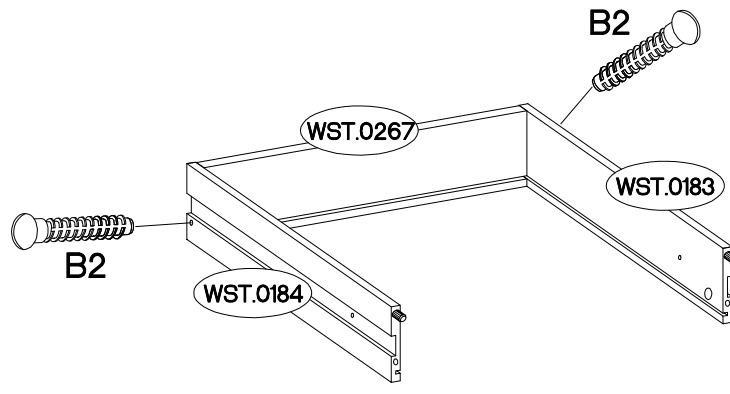
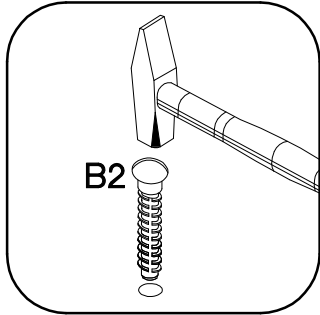


2




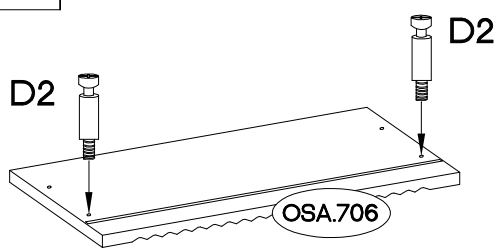
#6x42mm  B2 6

x3

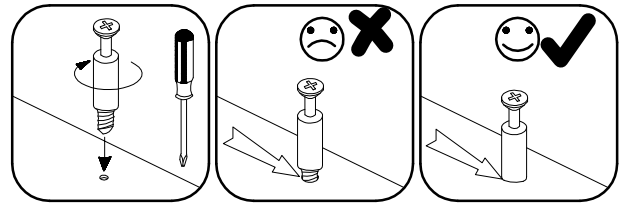


3

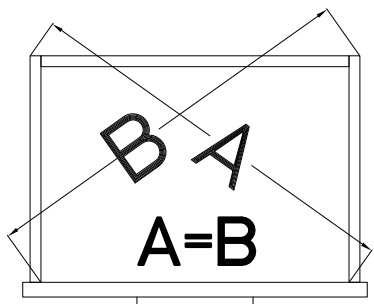
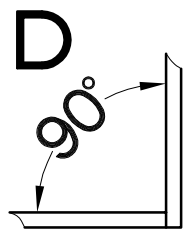
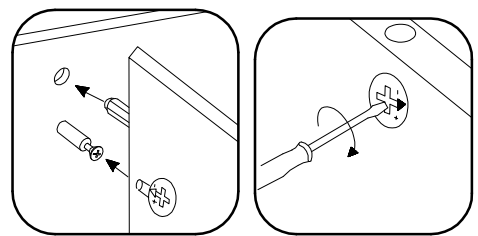
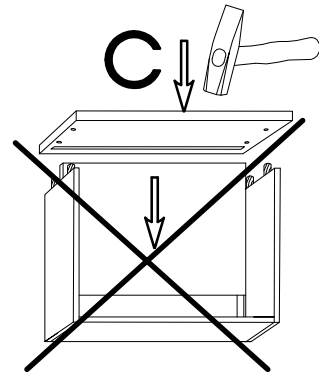
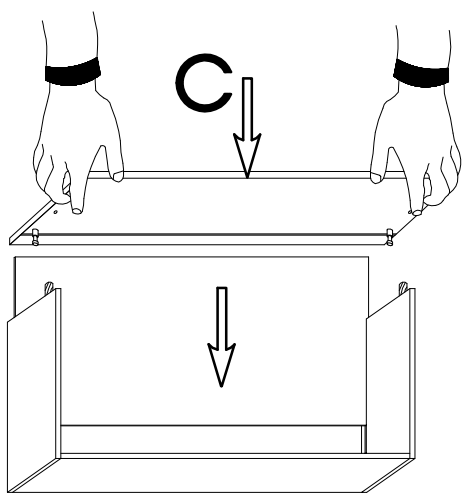
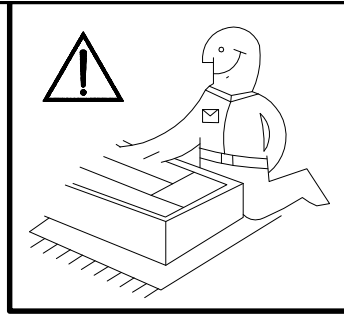
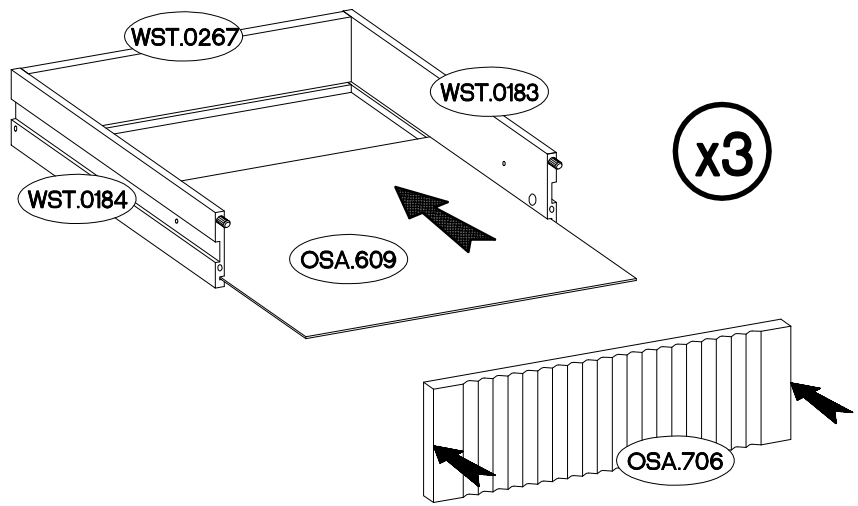
L=20mm  D2 6
--



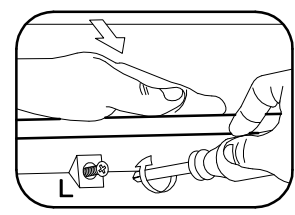
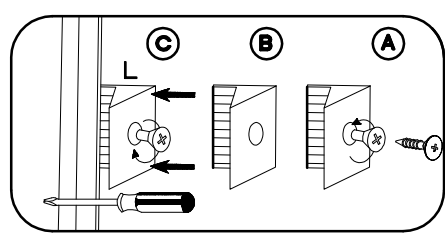
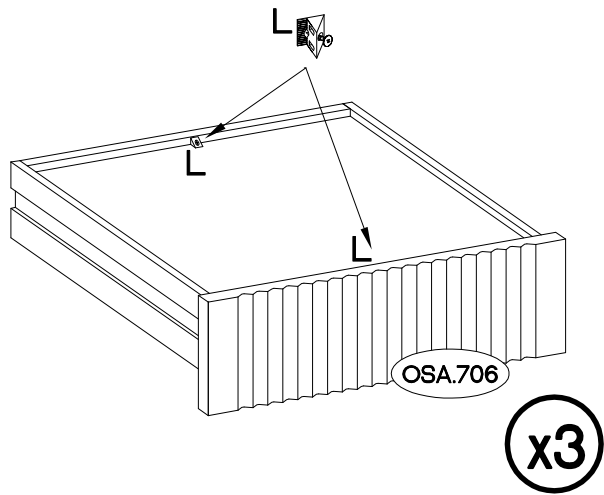
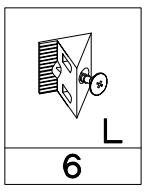
x3

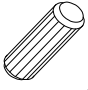

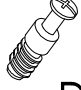
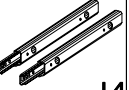





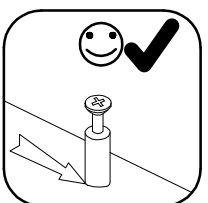
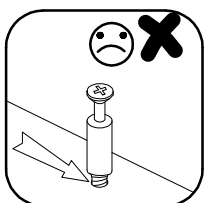
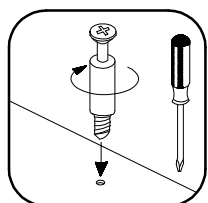
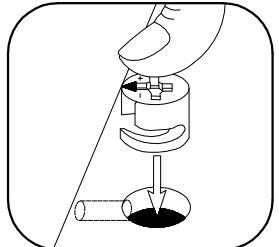
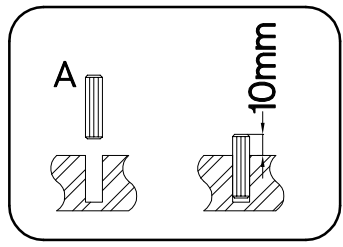
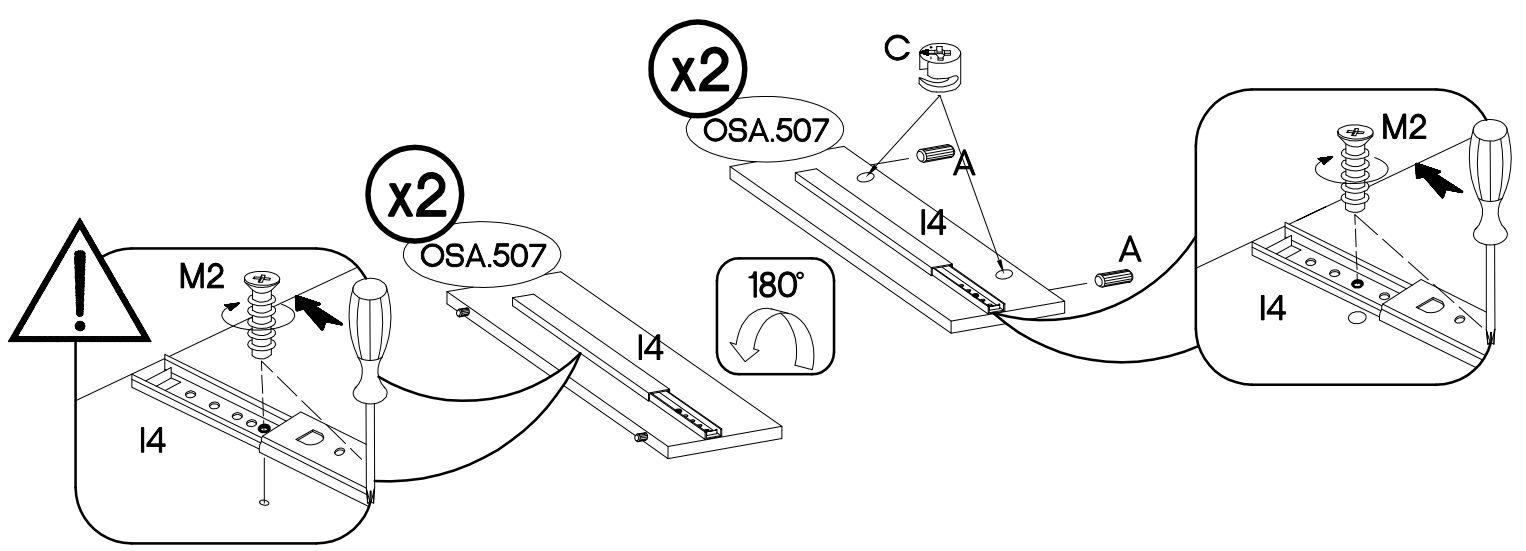
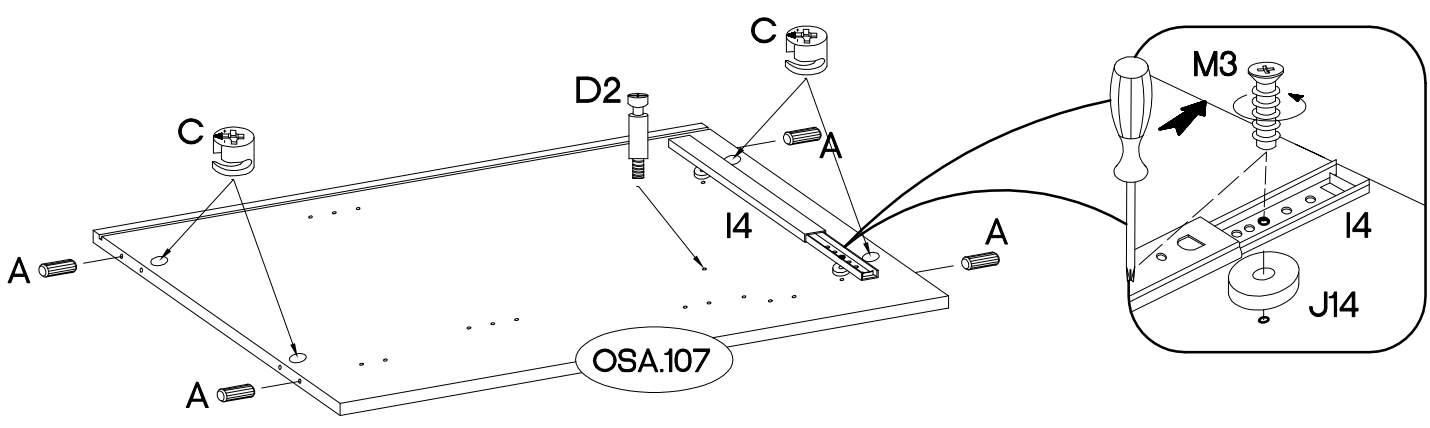
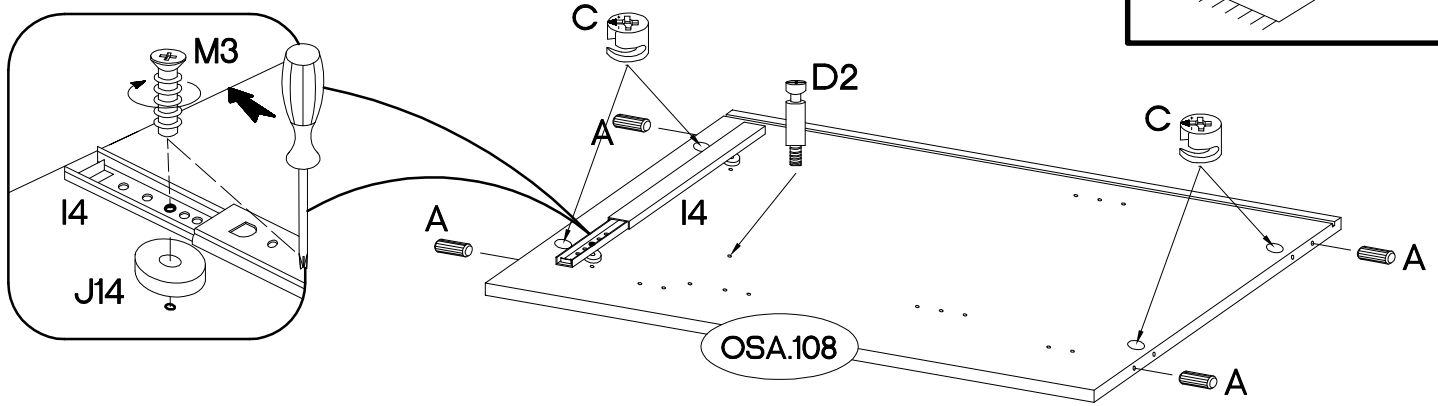
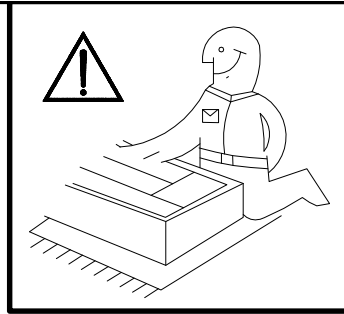
4

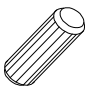

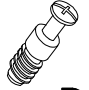
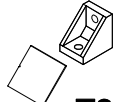



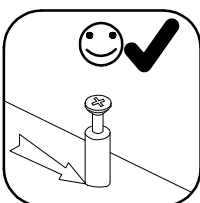
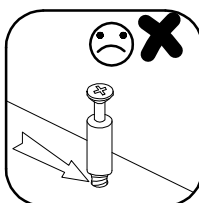
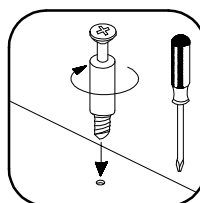
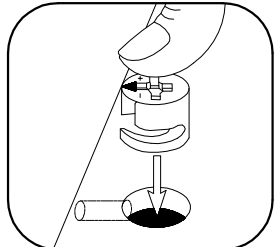
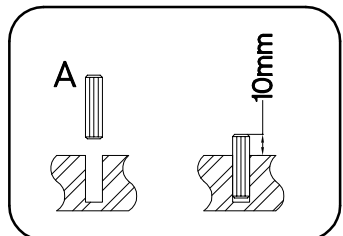
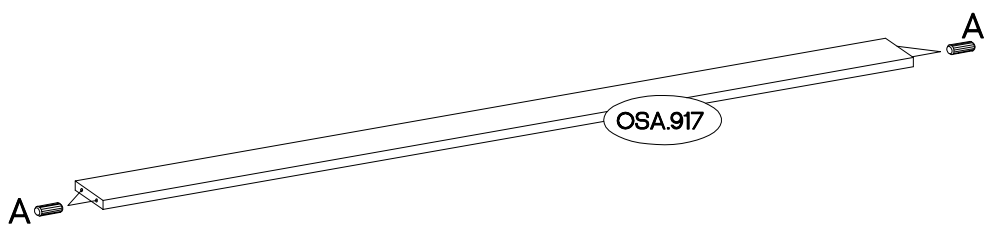
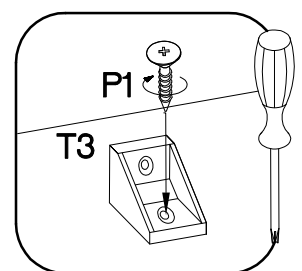
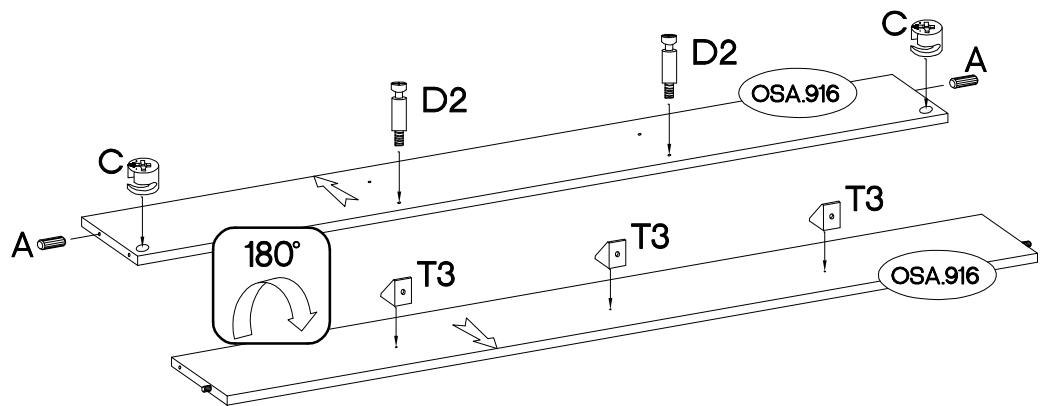
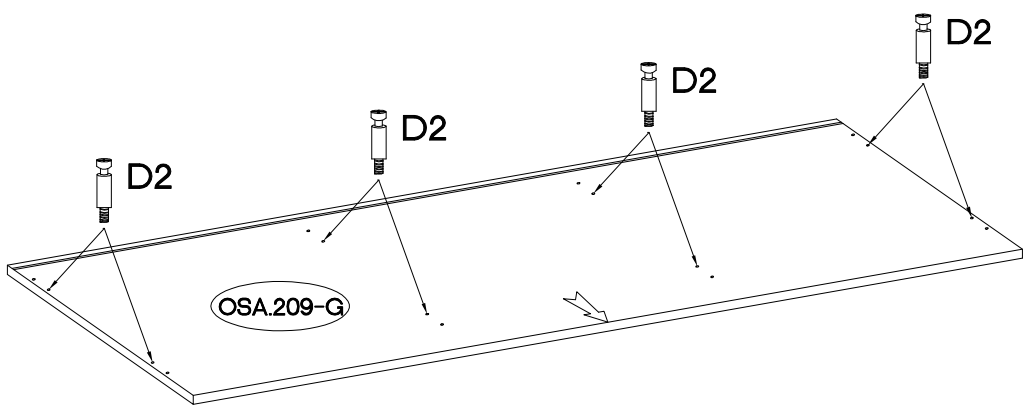
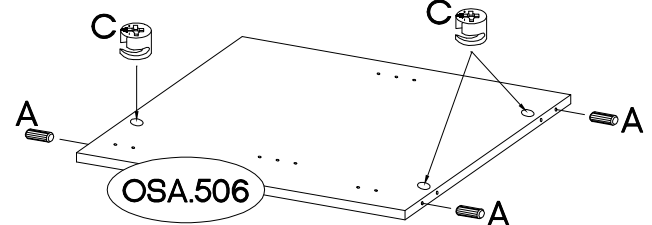
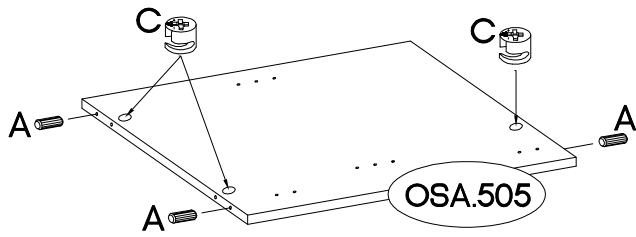
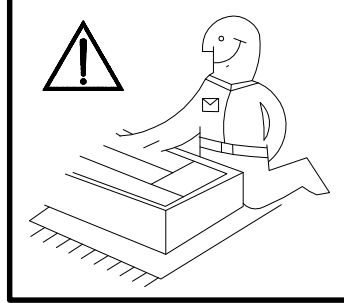
5



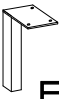


+8x30mm  A 12	+15/12mm  C 12	L=20mm  D2 2	27/310mm  I4 3	+6,3x13mm  M2 8	+6.3x20mm  M3 4	+20/8mm  J14 4
--	---	---	---	--	--	--

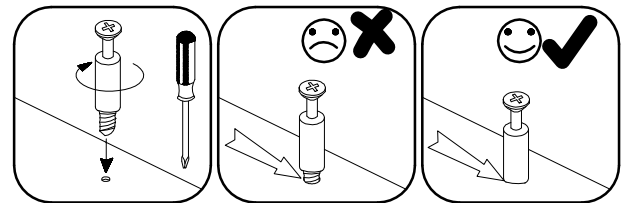
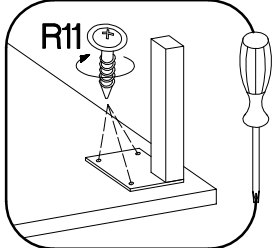
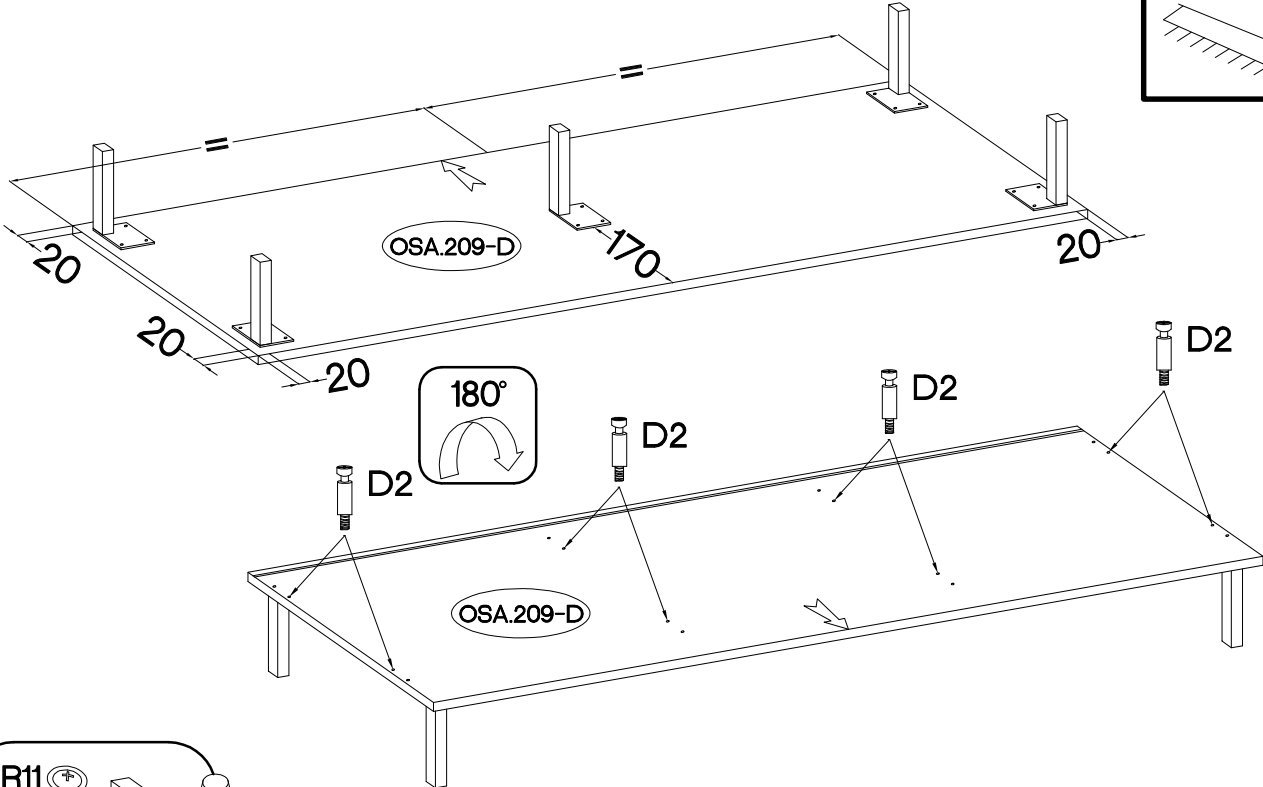
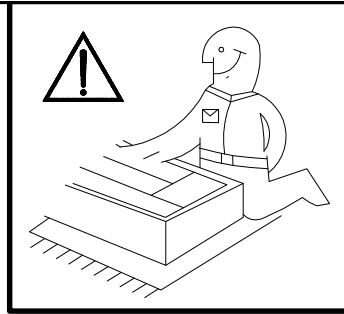


$\pm 8 \times 30 \text{mm}$  A 12	$\pm 15/12 \text{mm}$  C 8	L=20mm  D2 10	 T3 3	$\pm 4.0 \times 16 \text{mm}$  P1 3
--	---	--	---	--

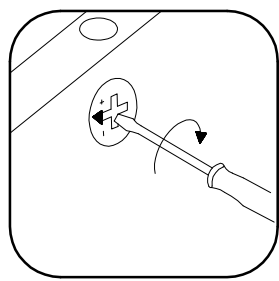
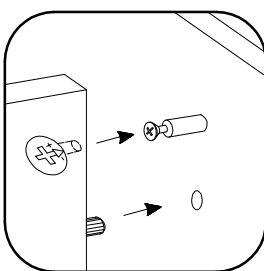
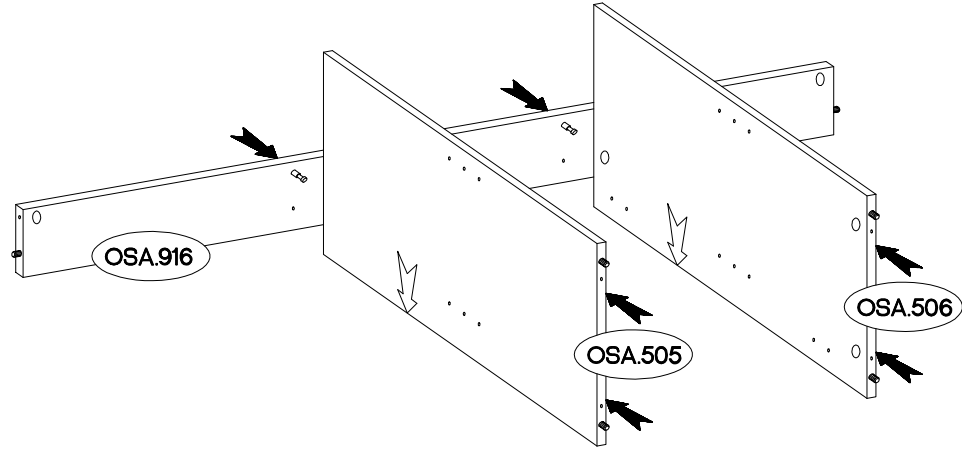


8

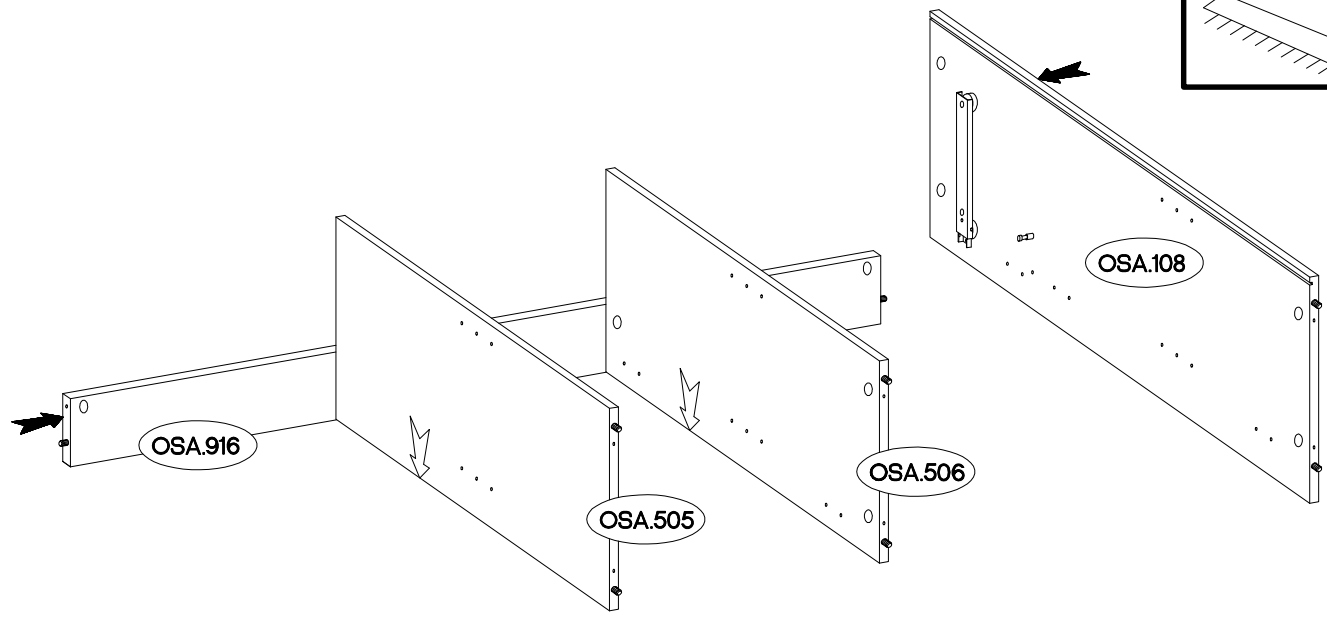
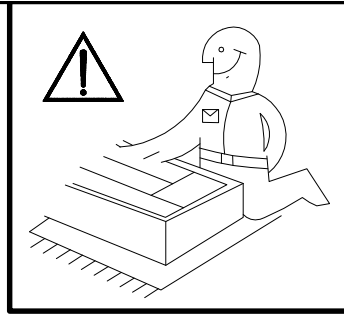
L=150mm  F34 5	4.0x16mm  R11 15	L=20mm  D2 8
---	---	---



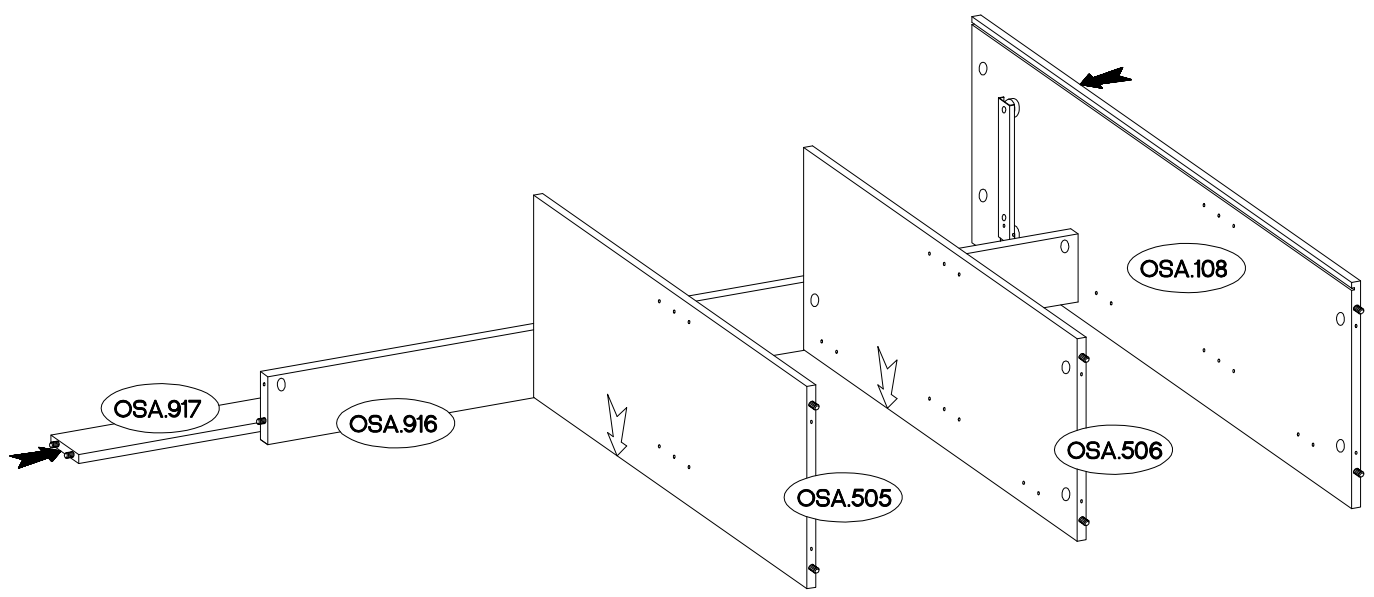
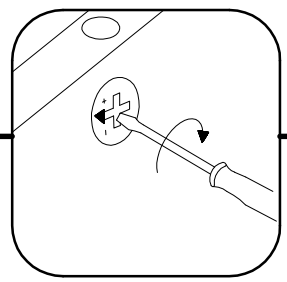
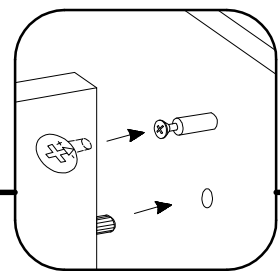
9



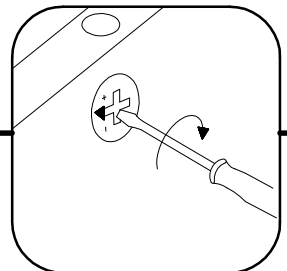
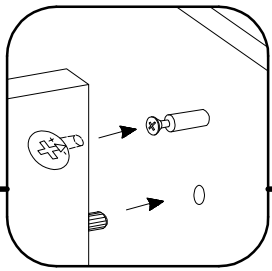
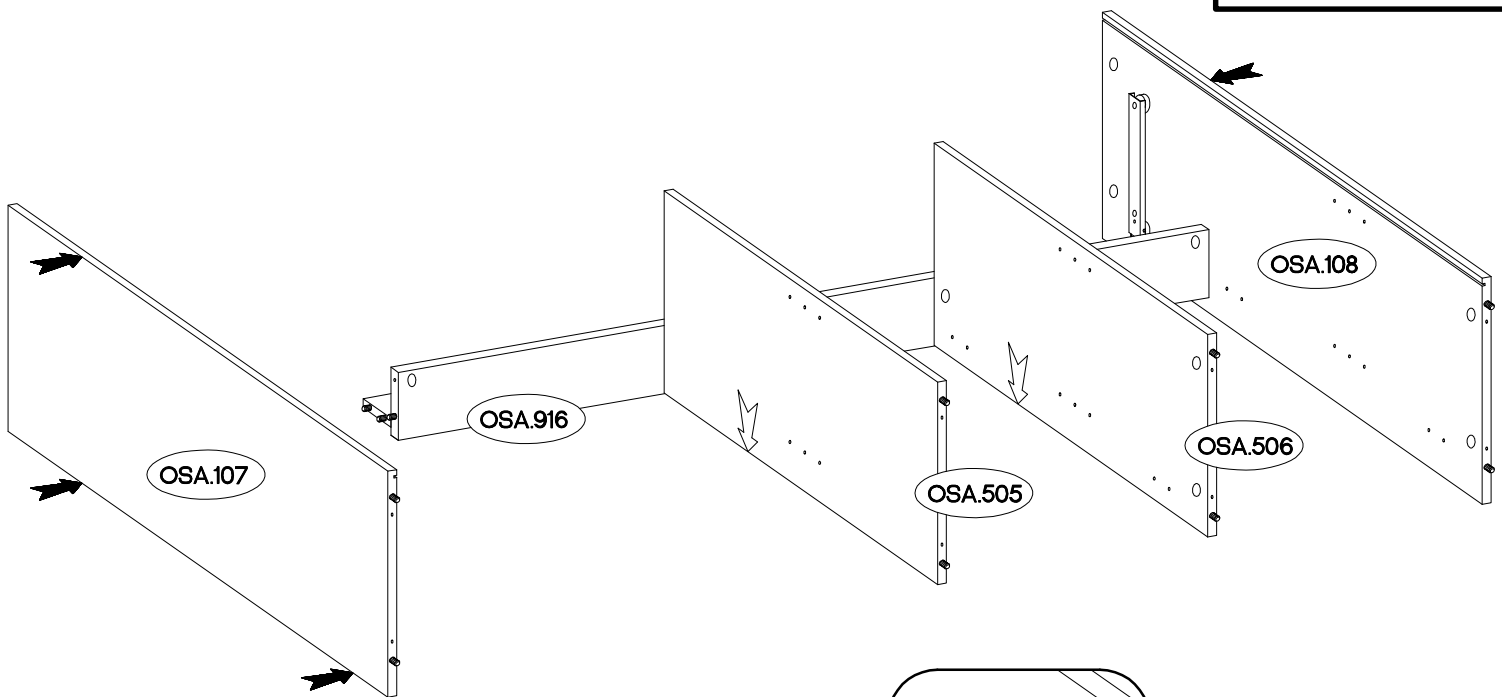
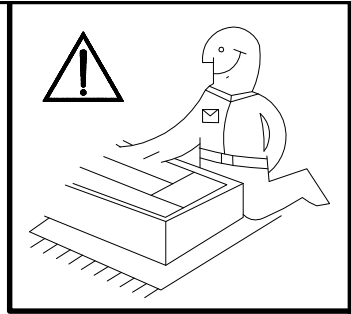
10



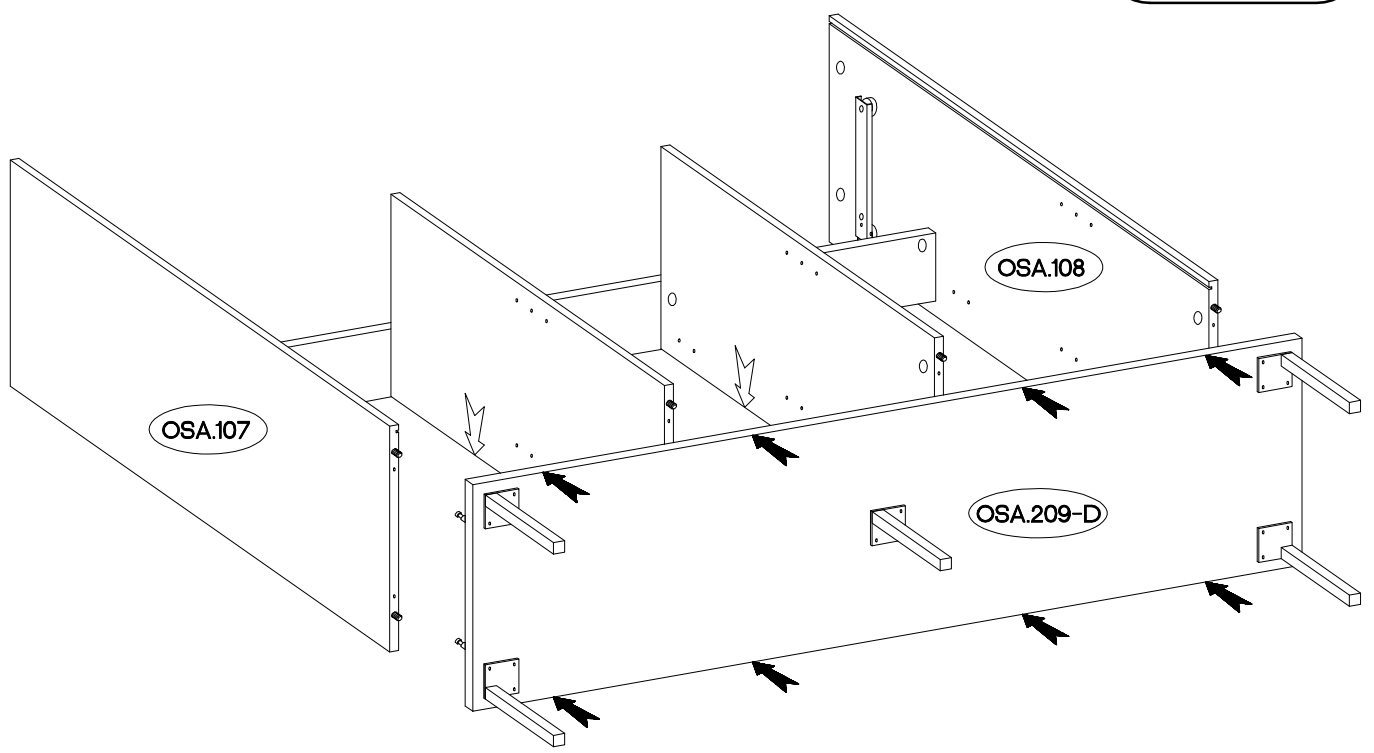
11



12

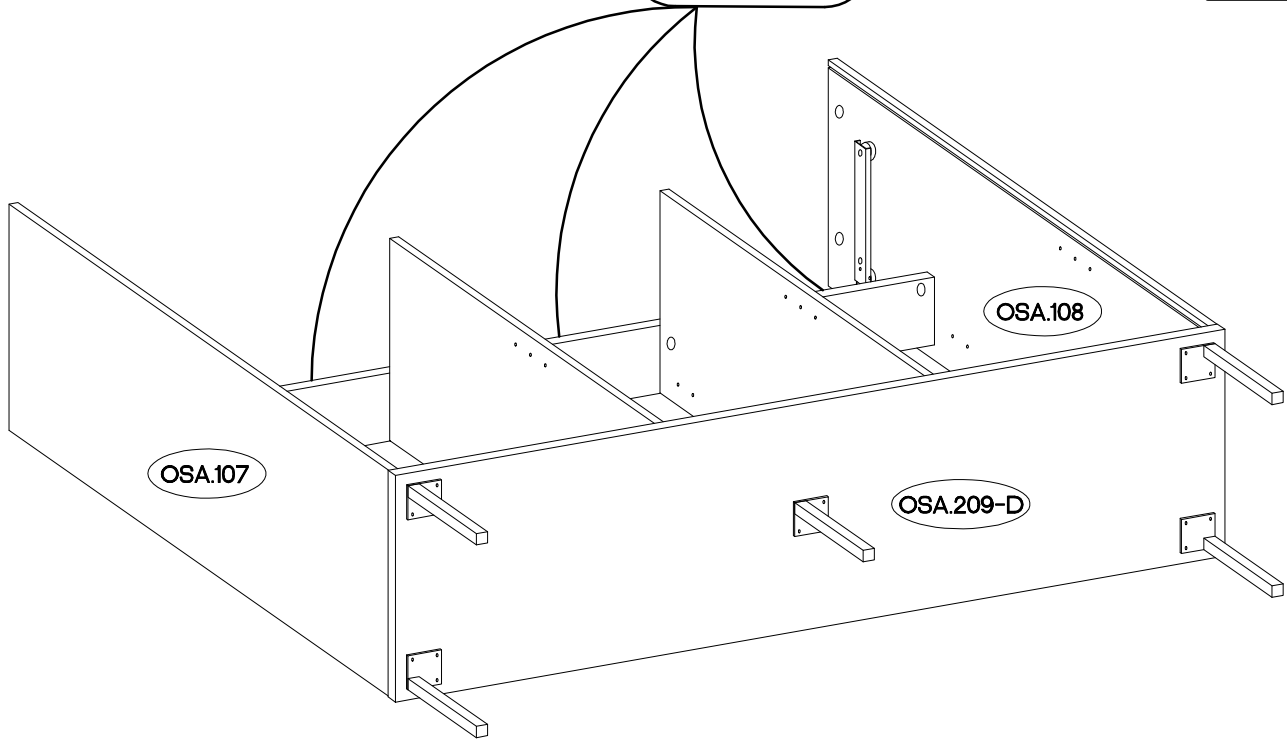
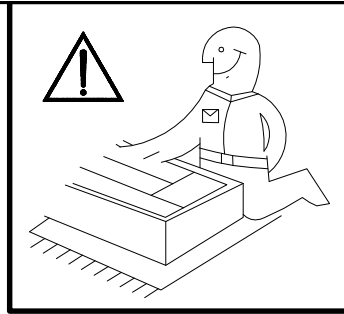
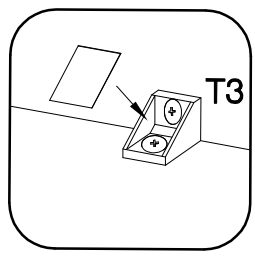
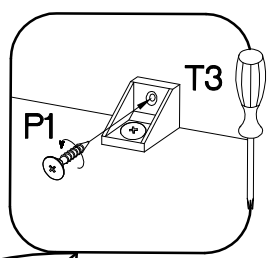


13

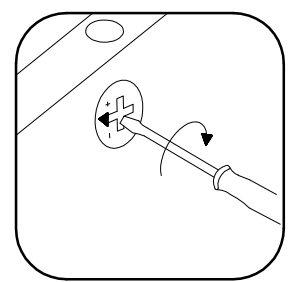
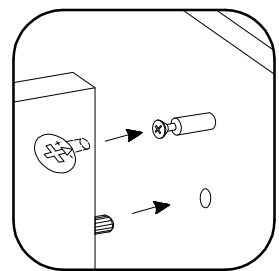
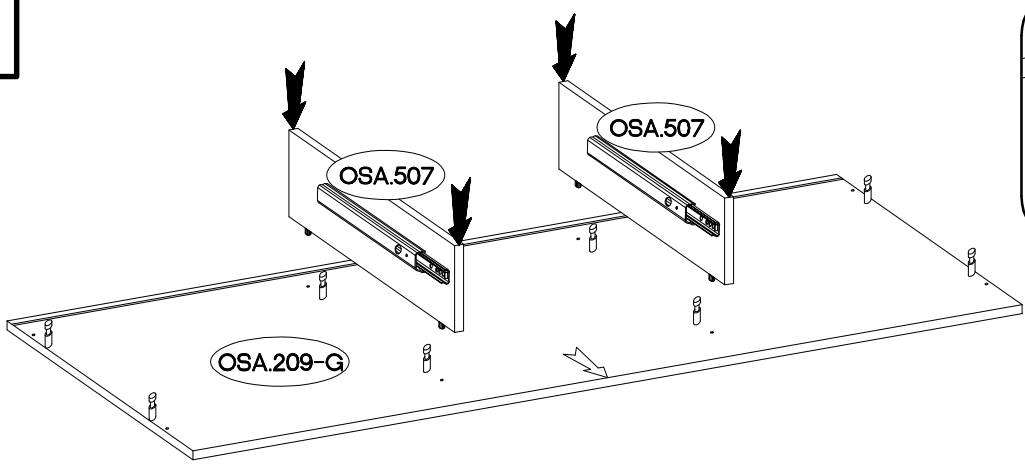


14

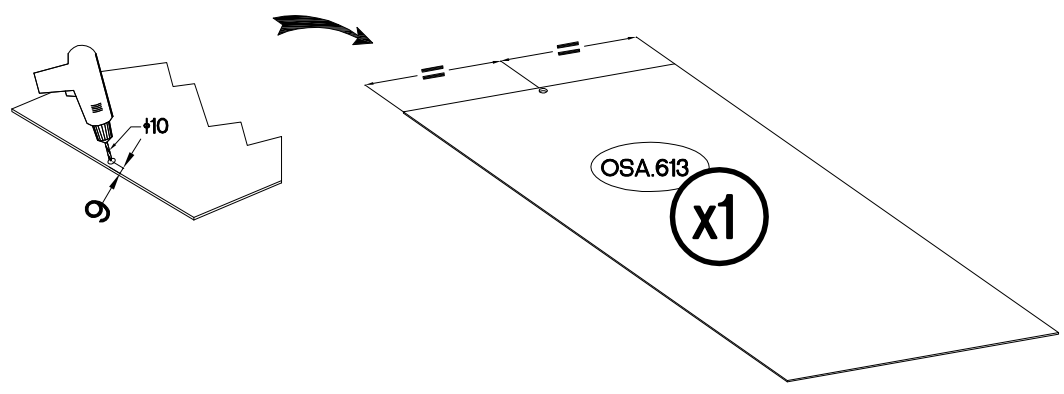
4.0x16mm
P1
3


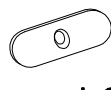
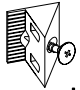


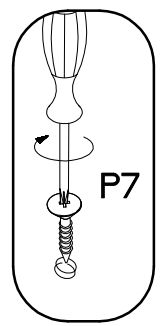
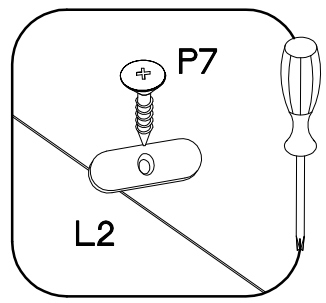
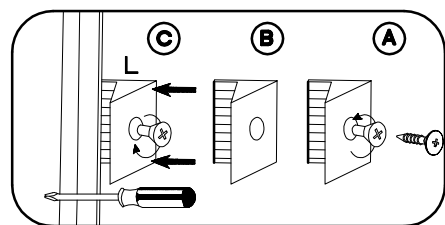
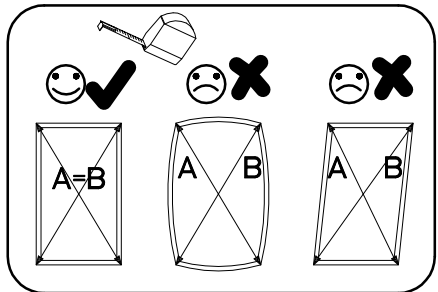
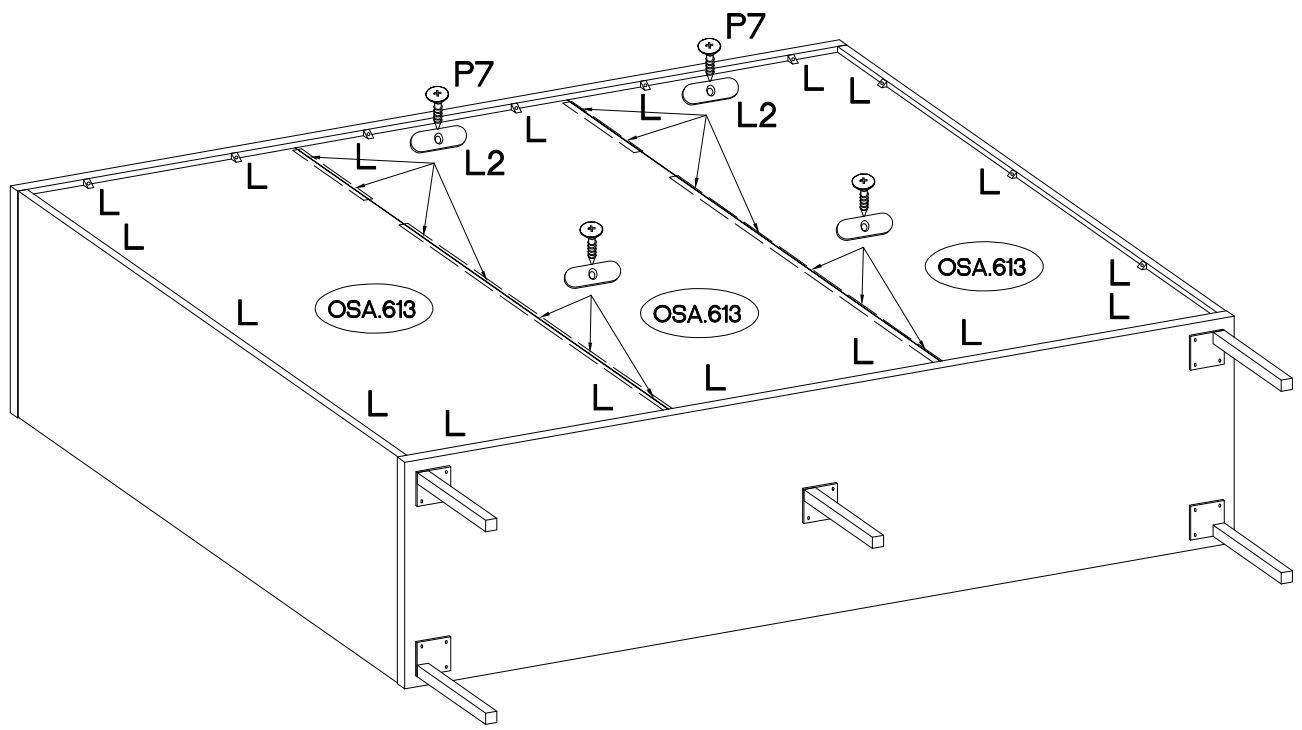
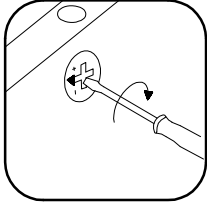
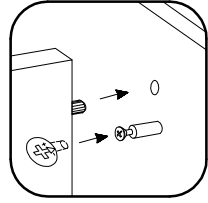
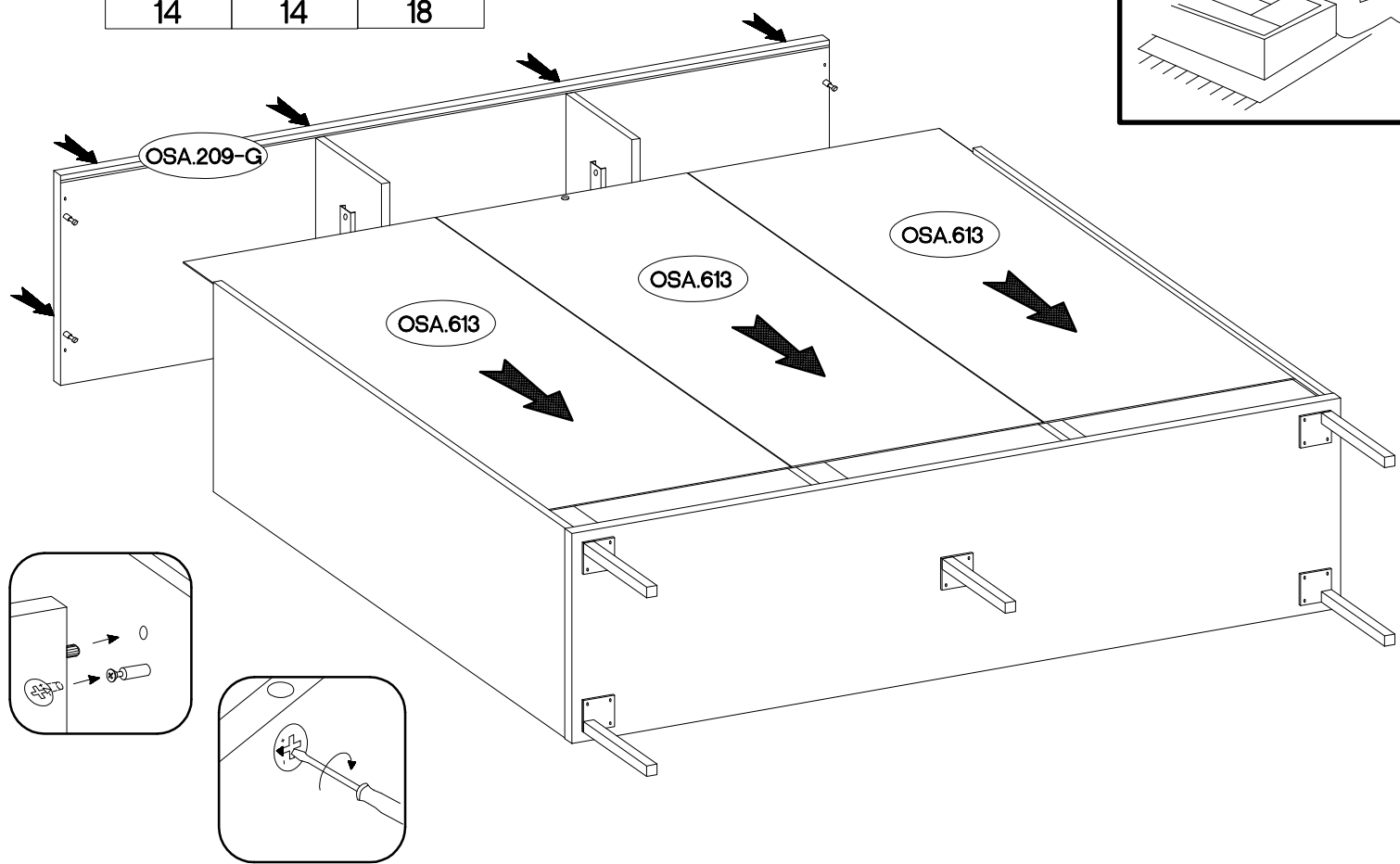
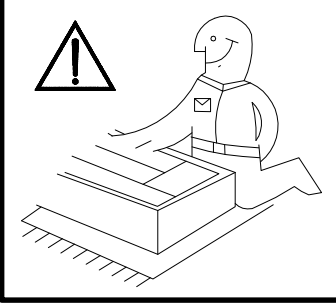
15

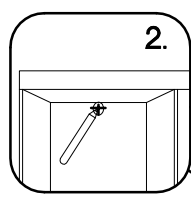





16

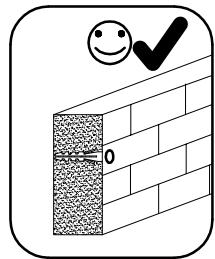
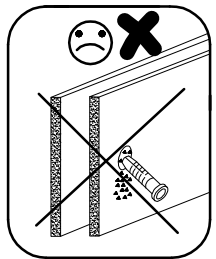
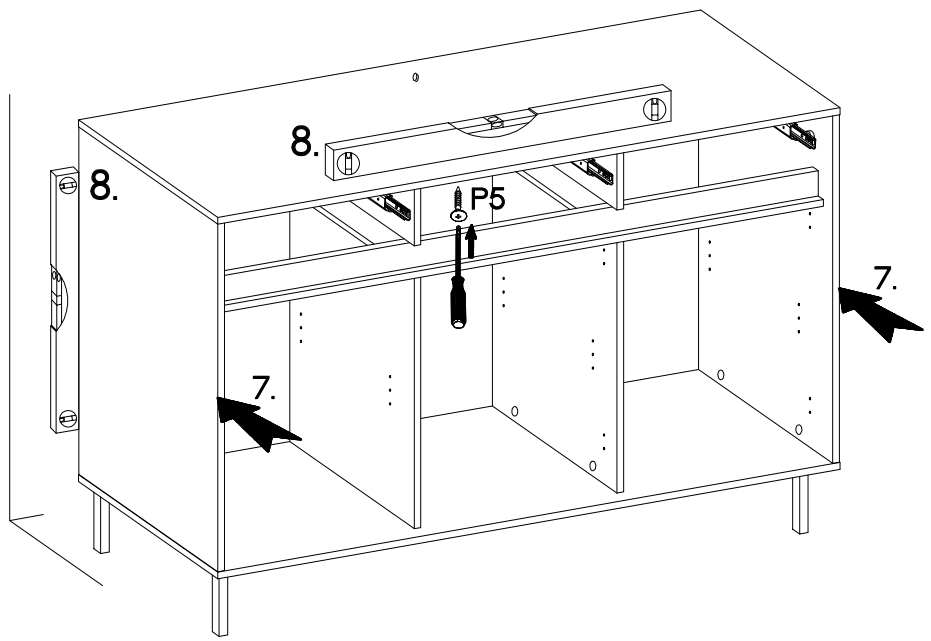
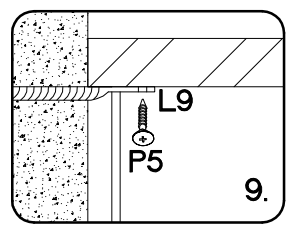
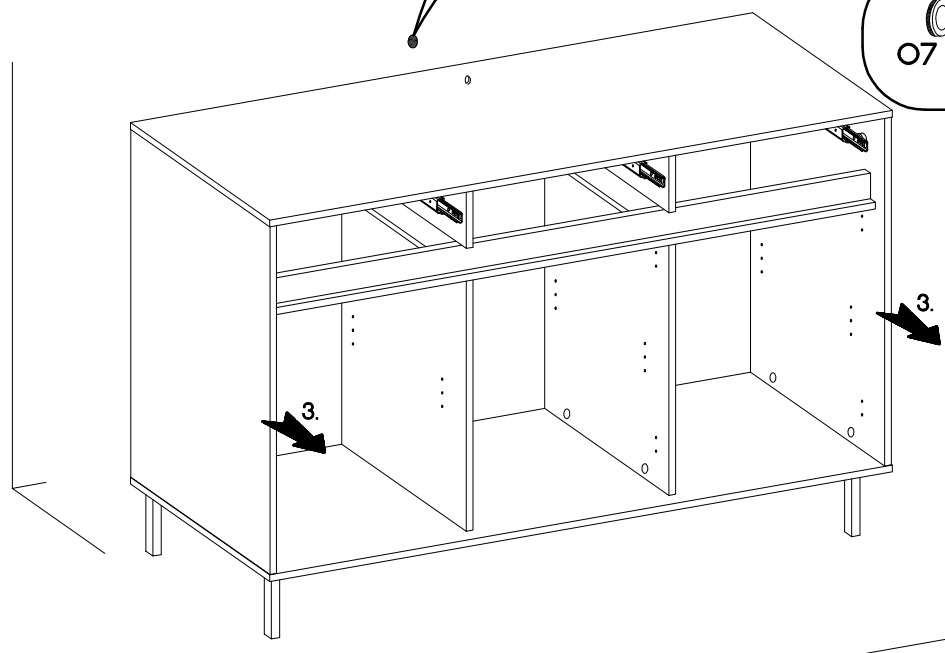
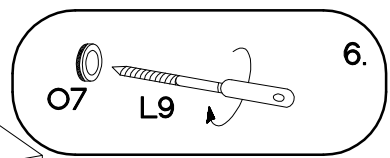
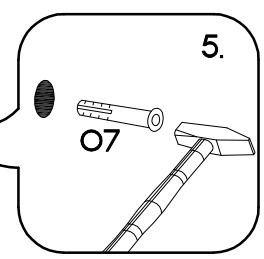
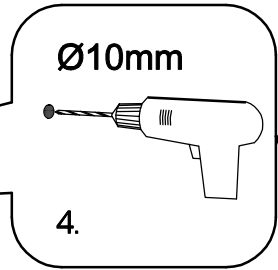
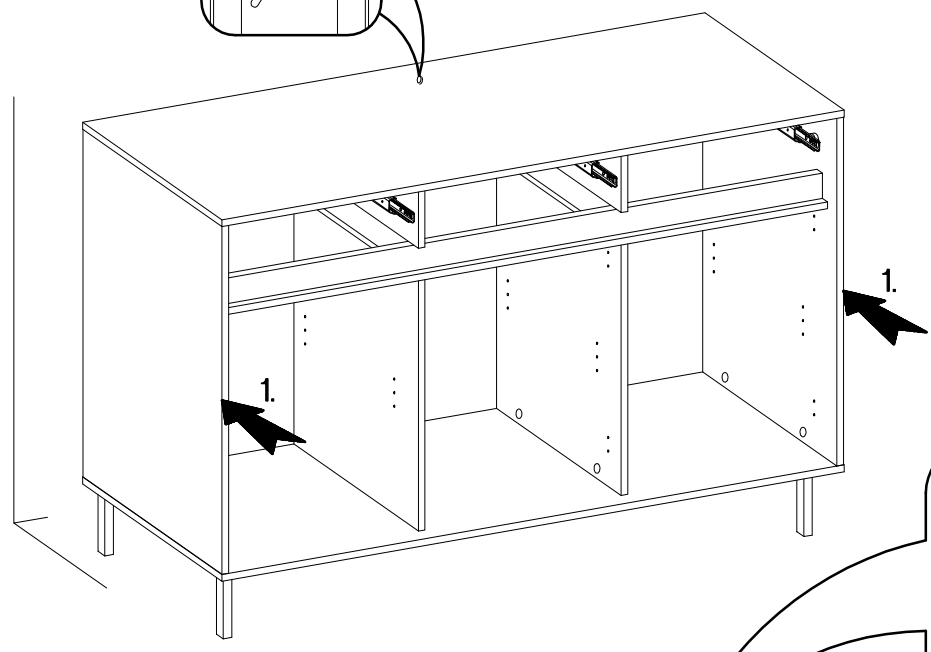


+3.0x20mm		
		
P7	L2	L
14	14	18

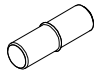


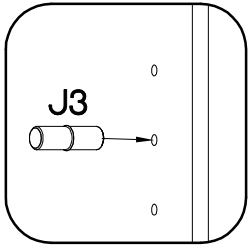
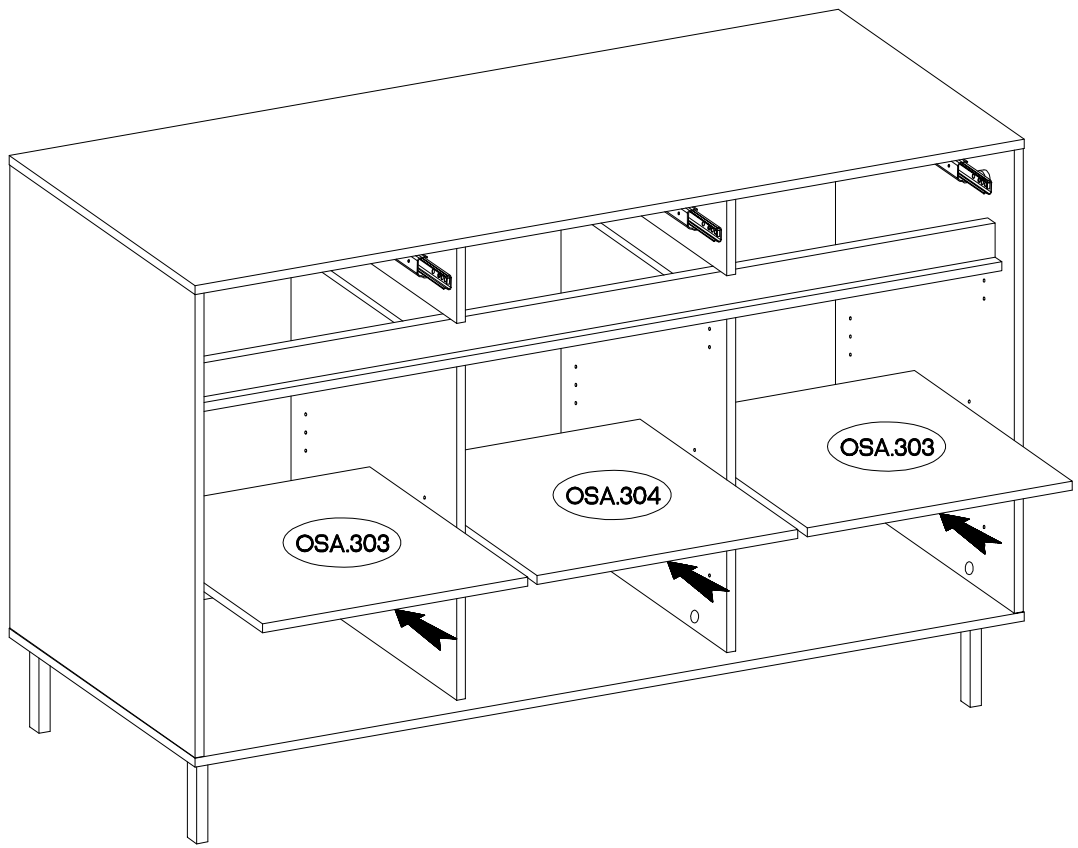


$\pm 10 \times 50 \text{mm}$  O7 1	 L9 1	$\pm 3.5 \times 13 \text{mm}$  P5 1
---	---	---




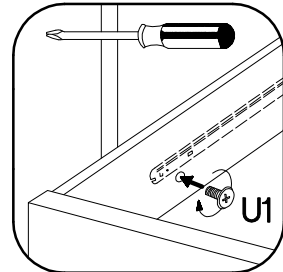
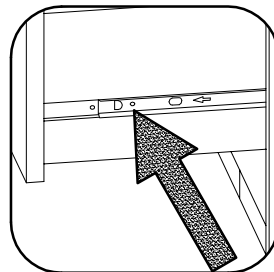
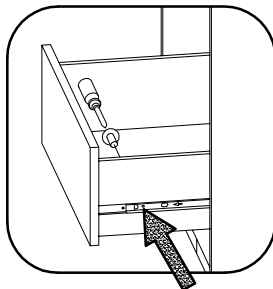
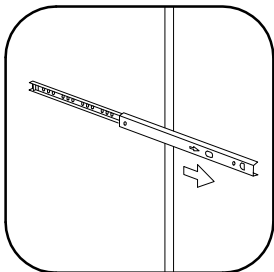
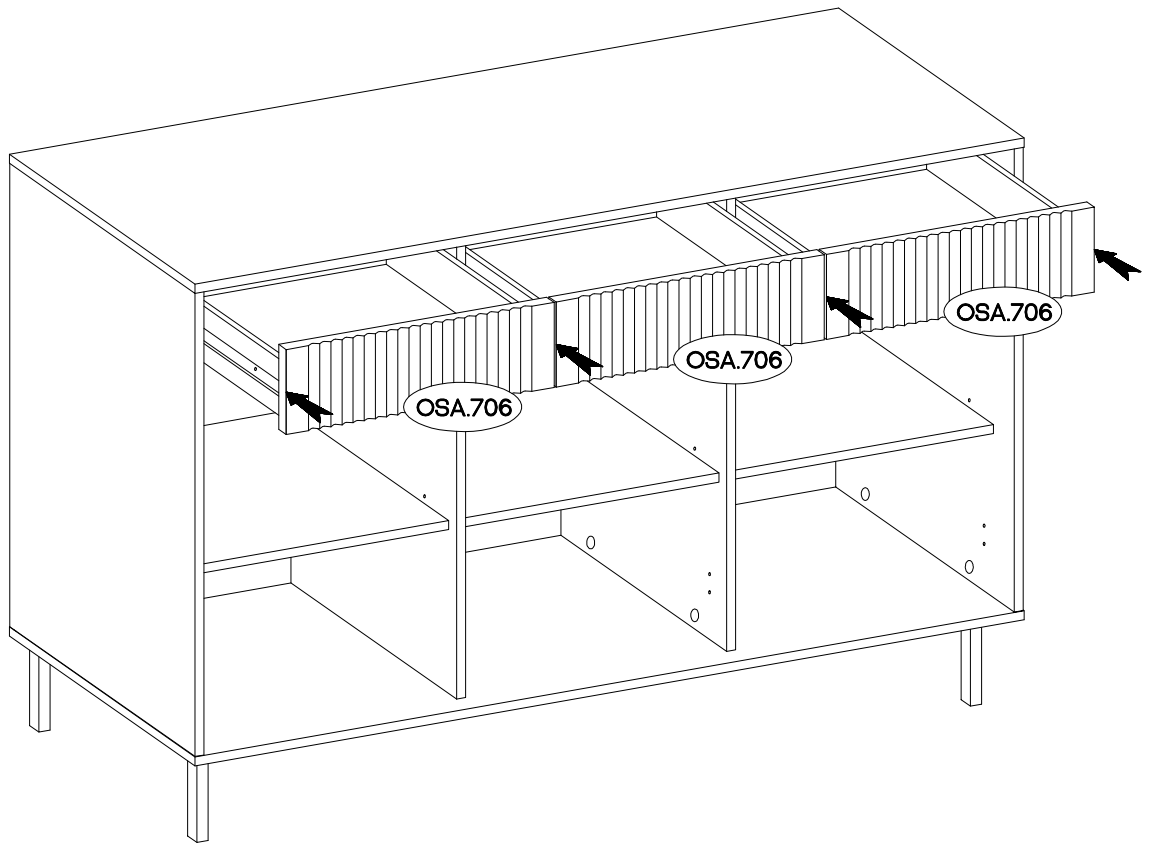
19

±5/16mm

J3
12






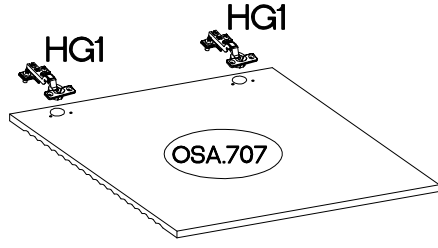
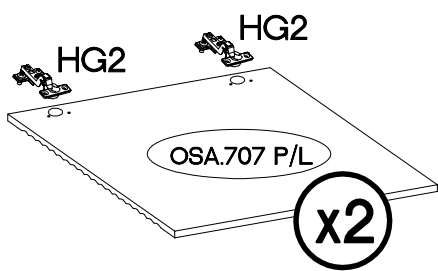
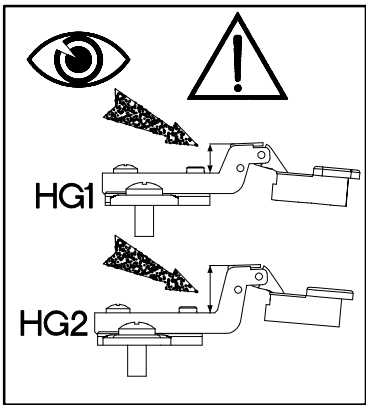
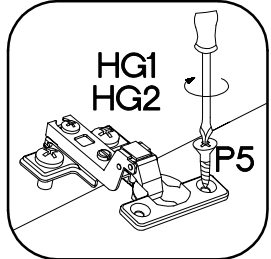
20

M4x9mm

U1
6





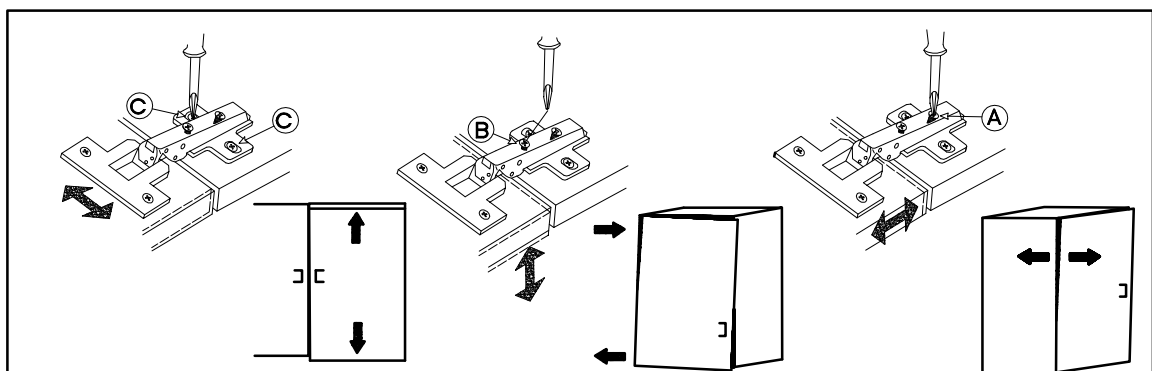
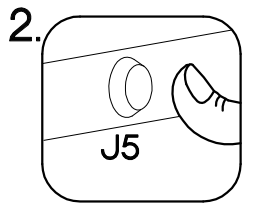
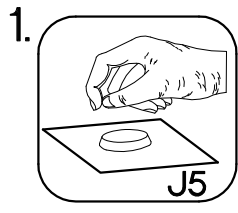
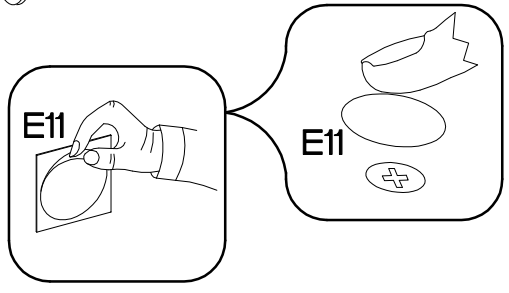
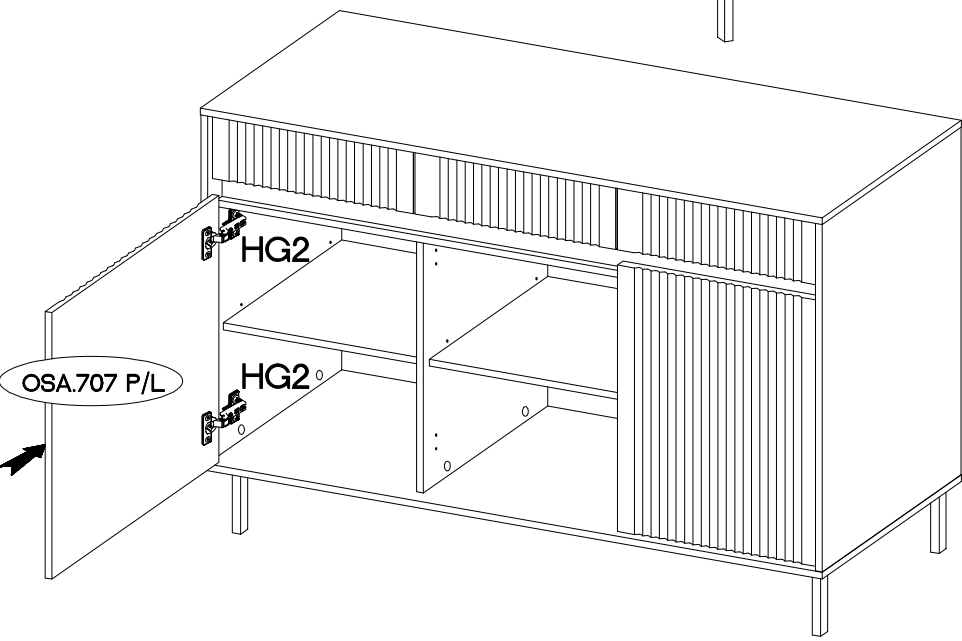
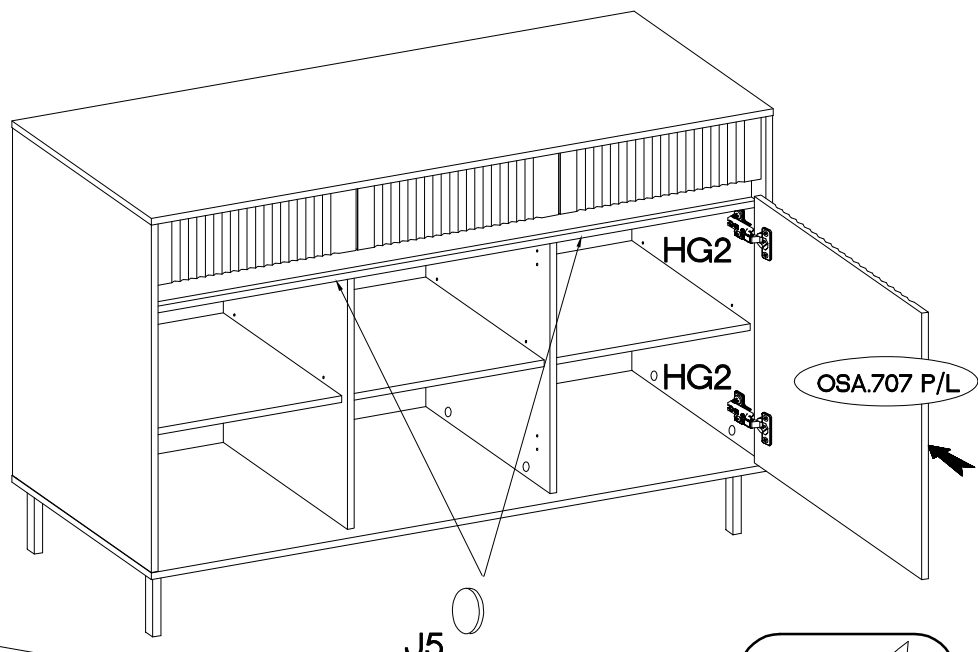
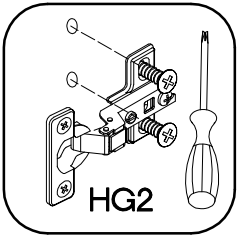
21


 †35/16mm HG2 4	 †35/9mm HG1 2	 †3.5x13mm P5 12
--	---	---

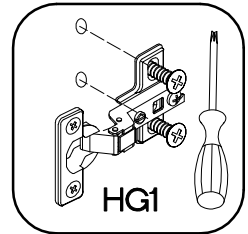
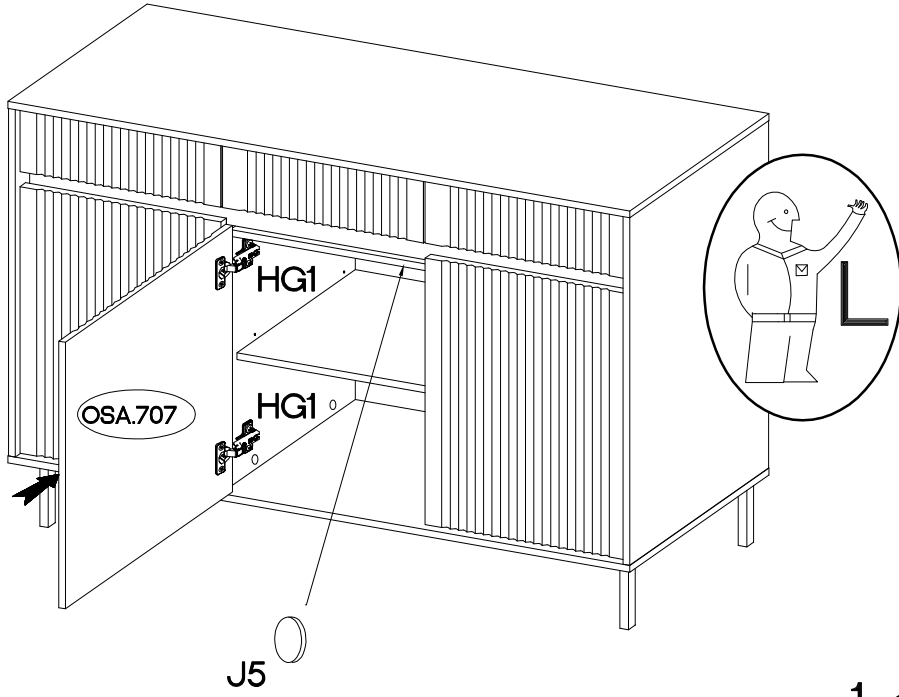
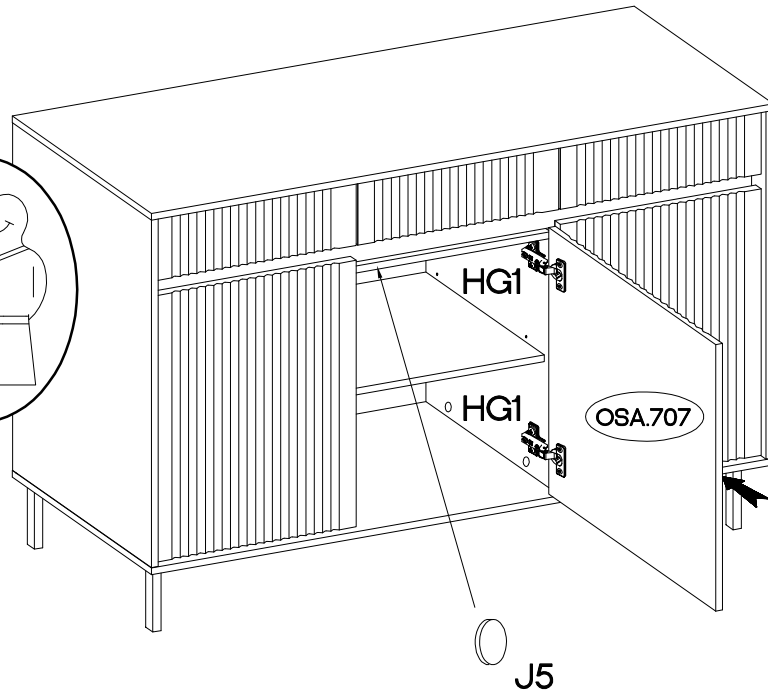
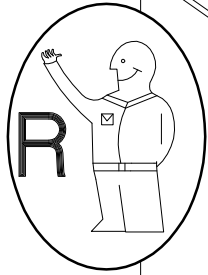


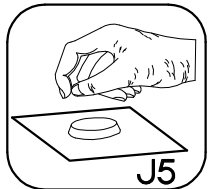
22

 †20 E11 12	 †7/2mm J5 2
---	--



±7/2mm

J5
1



- 
- 