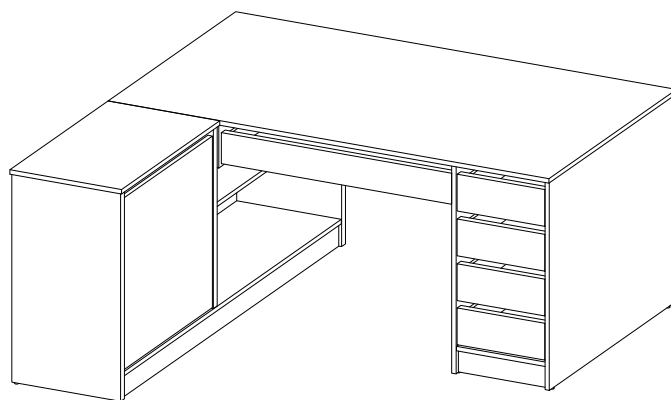
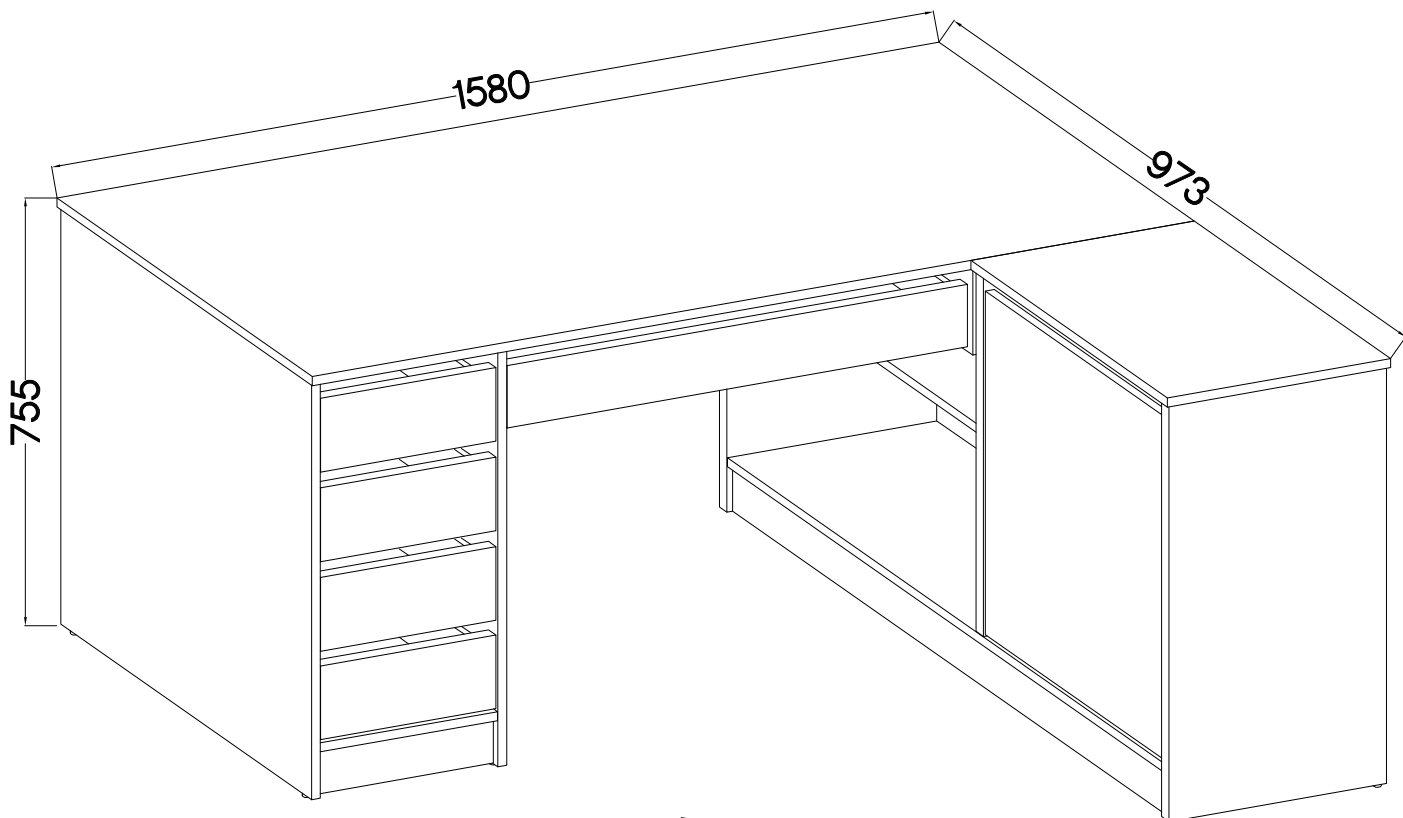
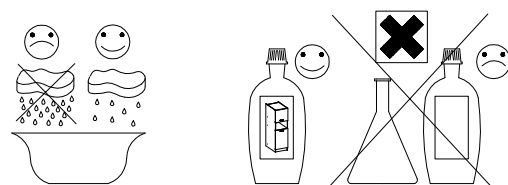


120 min

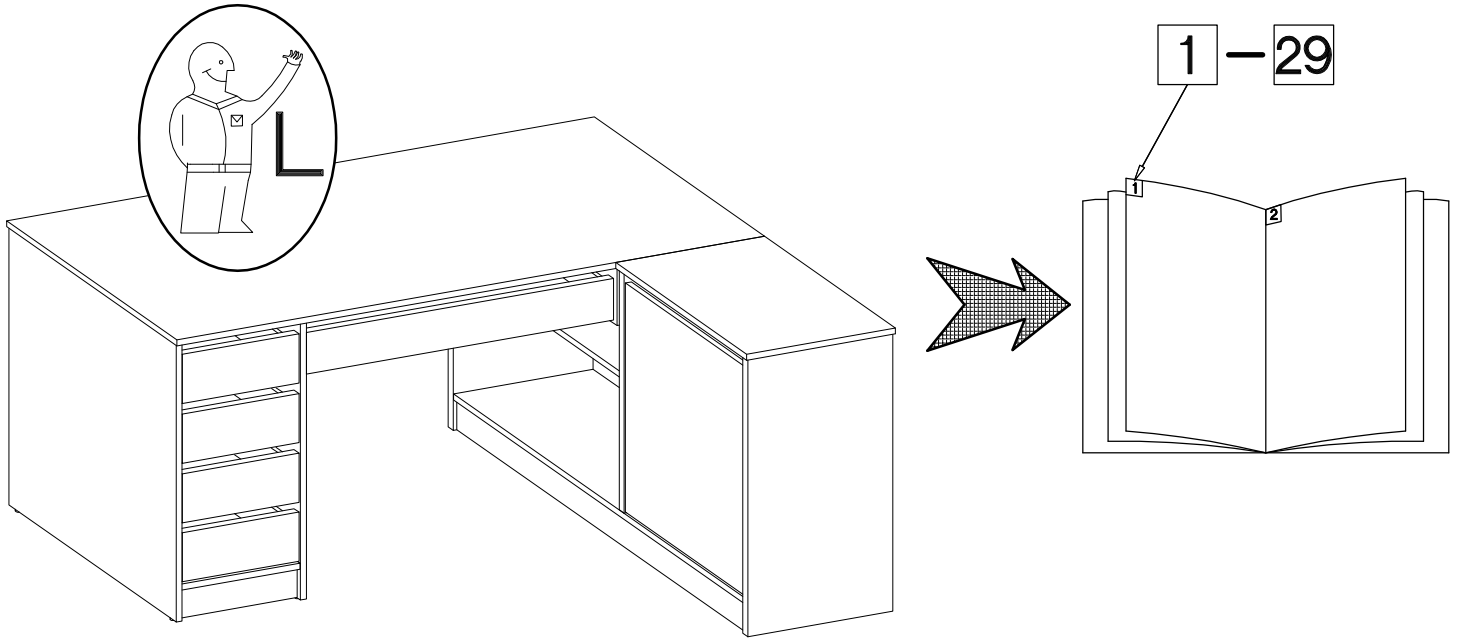
ADA Nar



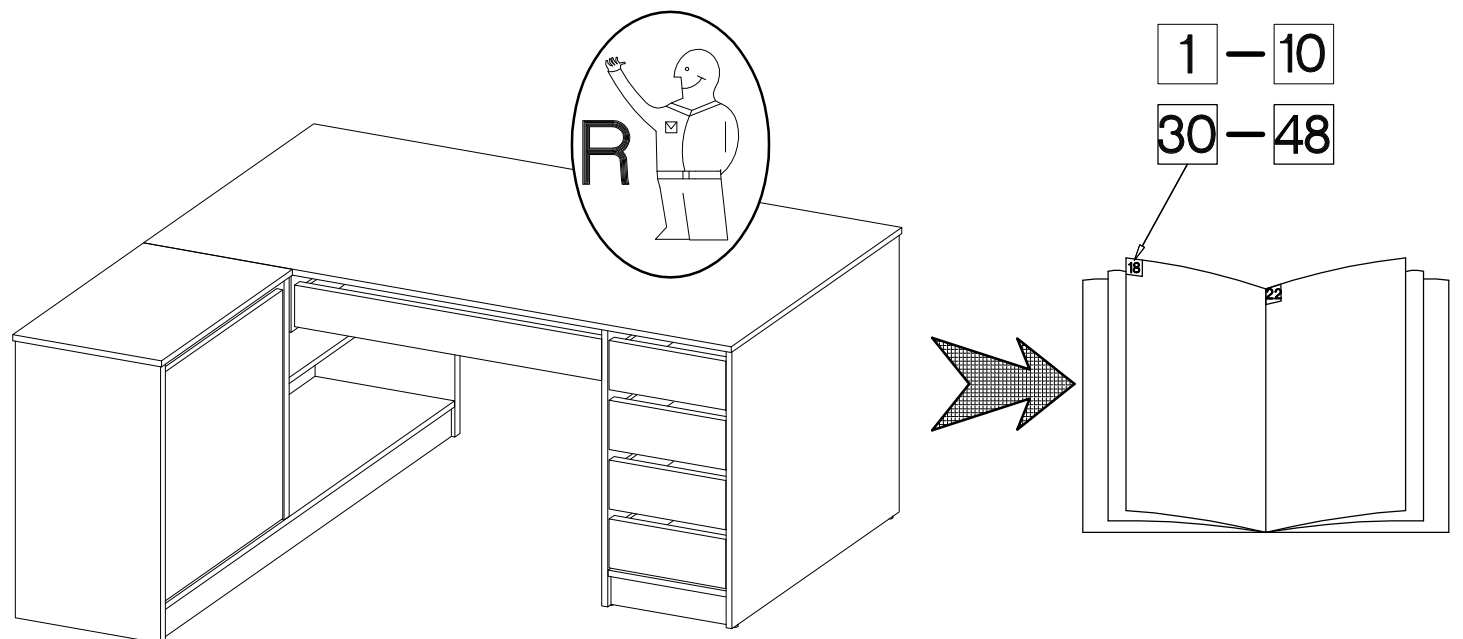
 +8x30mm A 48	 +6x42mm B2 10	 +15/12mm C 30	 +12/10mm C5 10	 L=20/8mm D9 40	 E 12	 +5 E2 2	 +15x5mm F4 8	 +35/16mm HG2 2	 27/310mm I4 5	
 +5/16mm J3 8	 J12 1	 L 12	 L2 4	 +6,3x13mm M2 20	 +4.0x16mm P1 2	 +3.5x13mm P5 4	 +3.0x20mm P7 15	 +4.0x25mm R 4	 T3 1	 M4x9mm U1 10

ISM-ADA-009


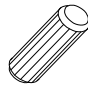
VARIANT L

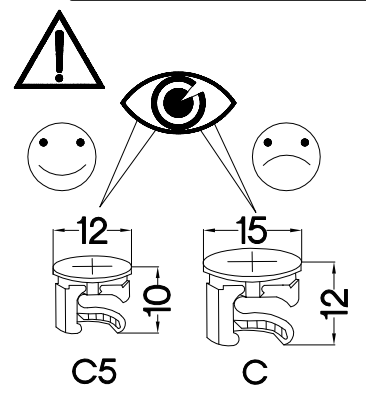
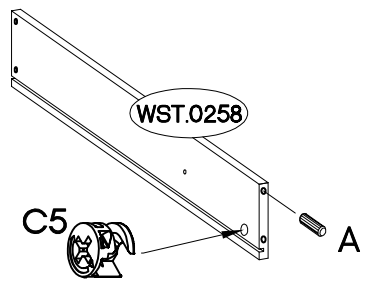
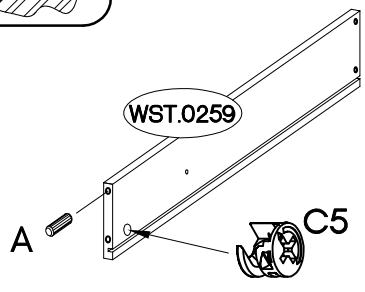
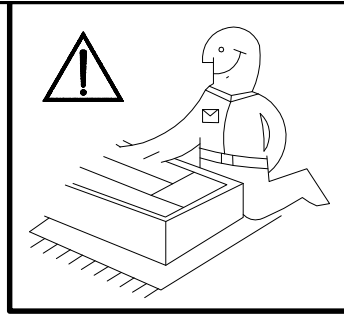
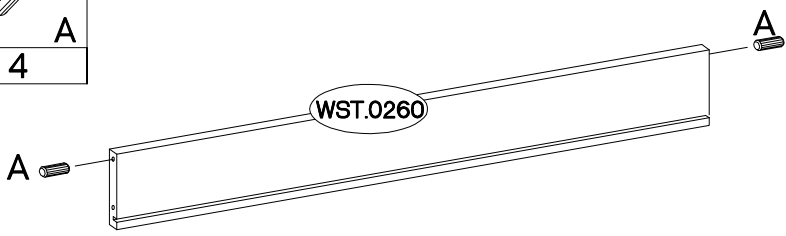
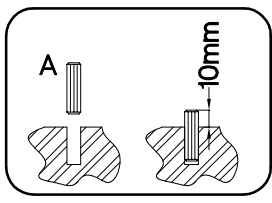


VARIANT R




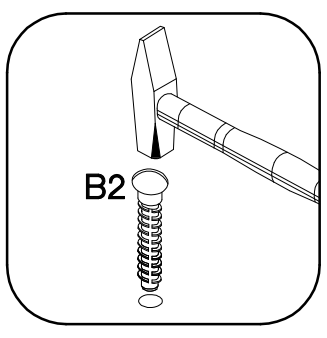
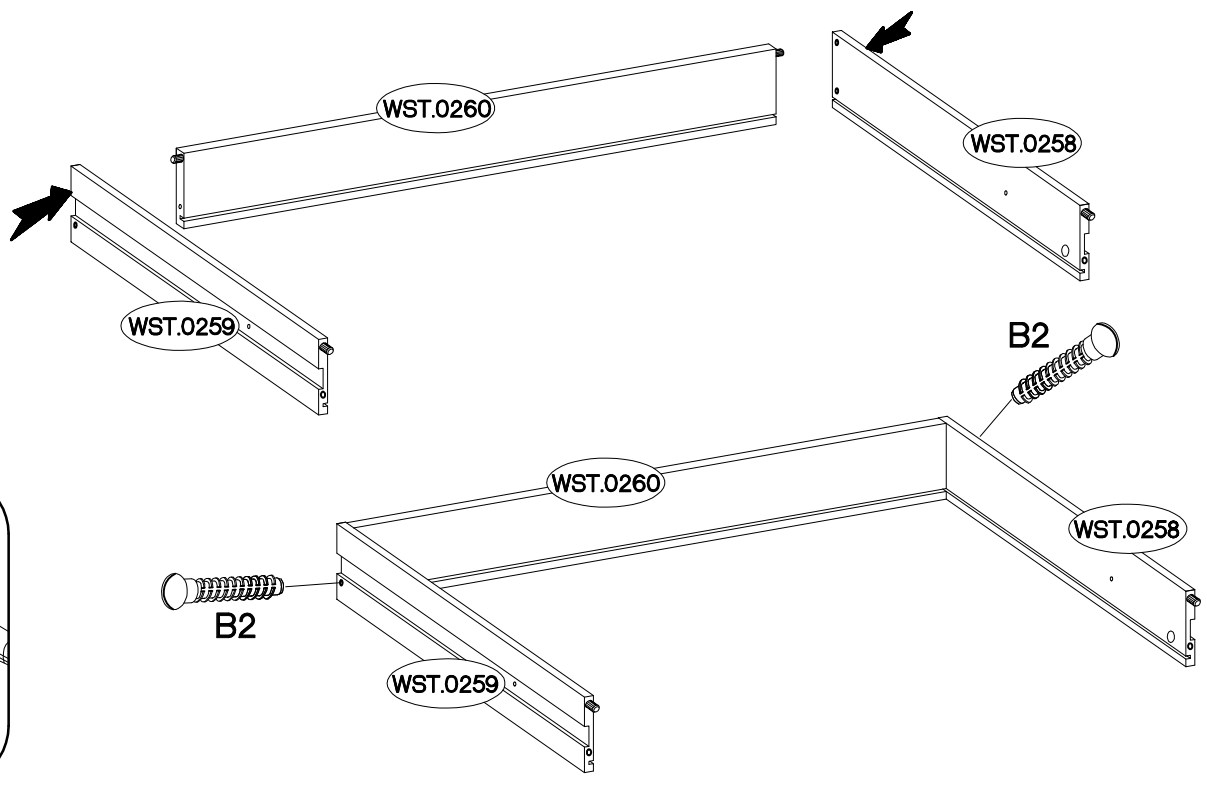
1

±12/10mm  C5 2	±8x30mm  A 4
---------------------------------------------------------------------------------------------------------	-------------------------------------------------------------------------------------------------------

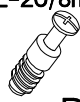


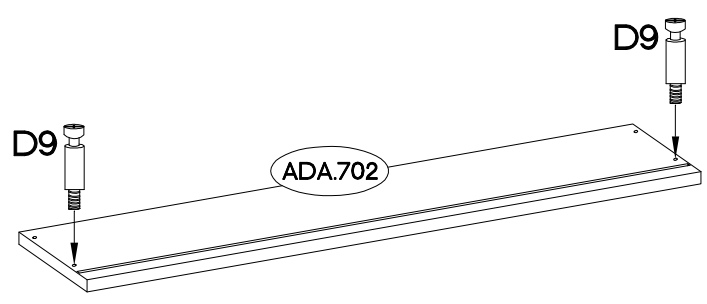
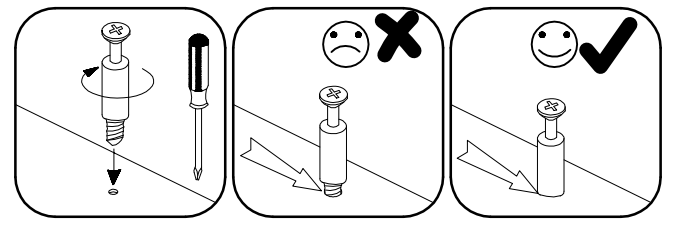
2

±6x42mm  B2 2

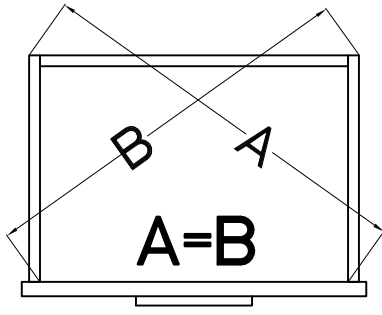
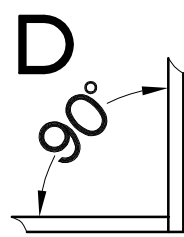
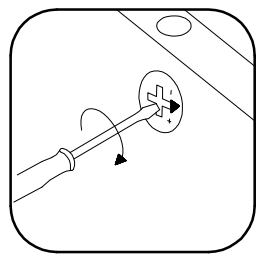
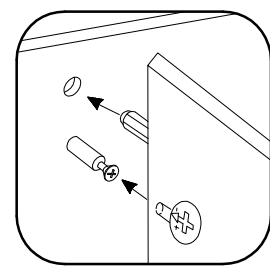
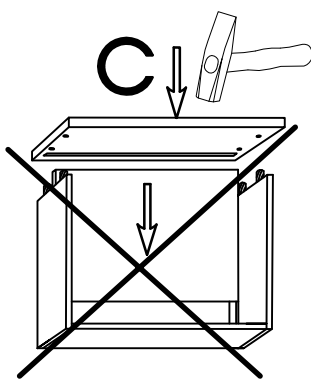
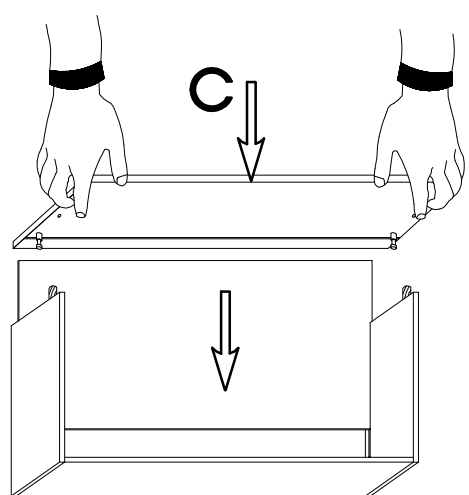
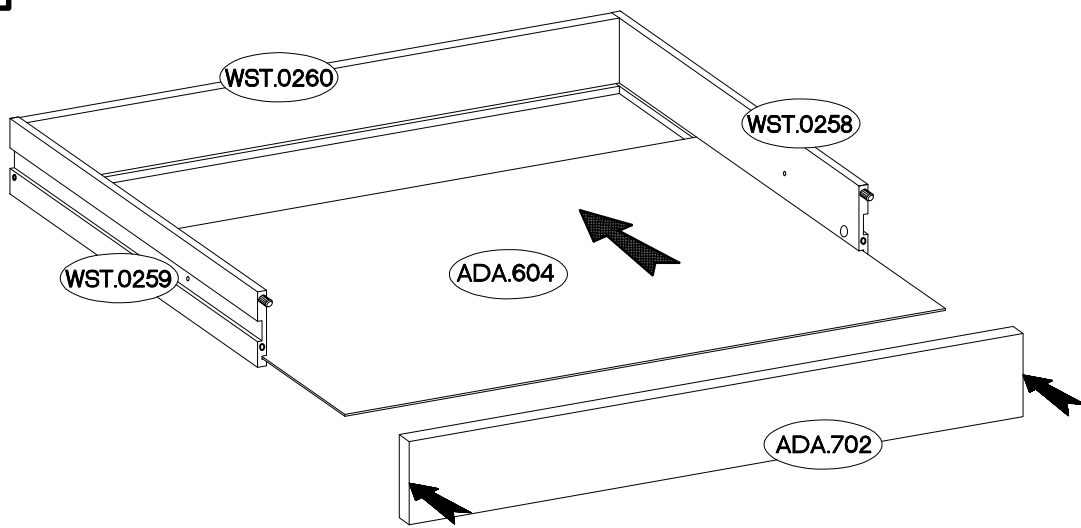
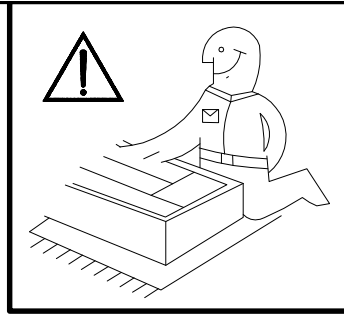


3

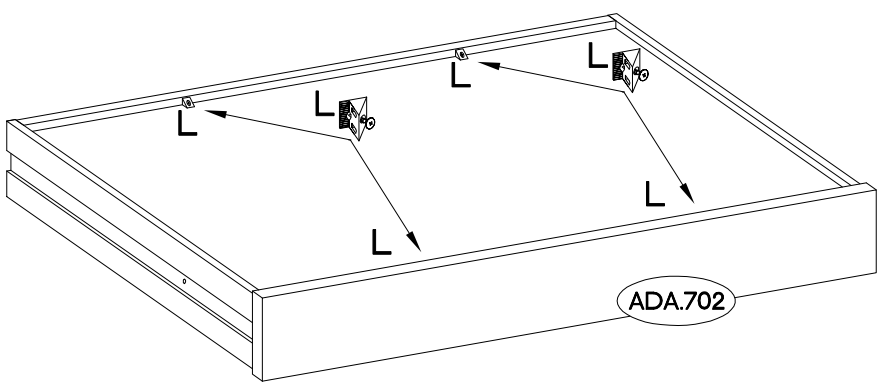
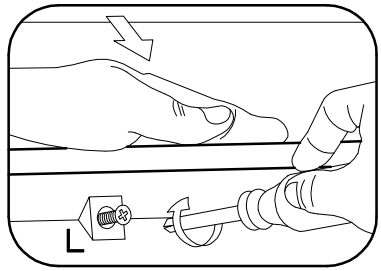
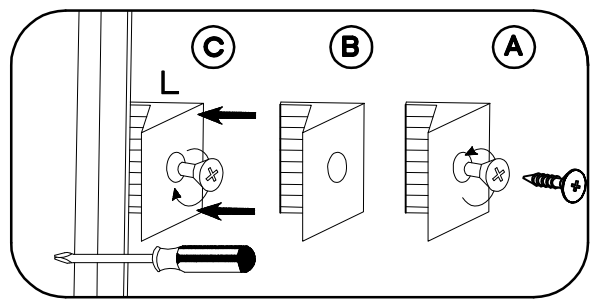
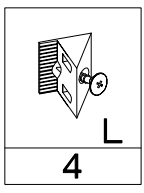
L=20/8mm  D9 2




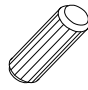
4

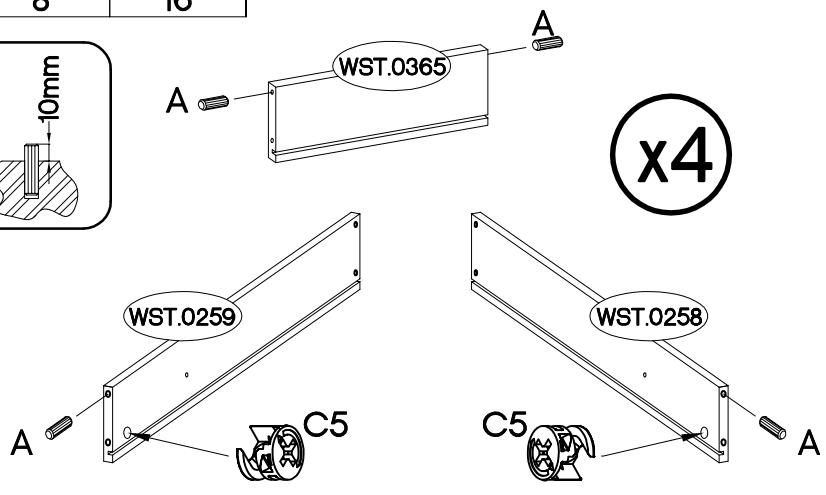
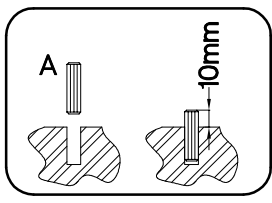
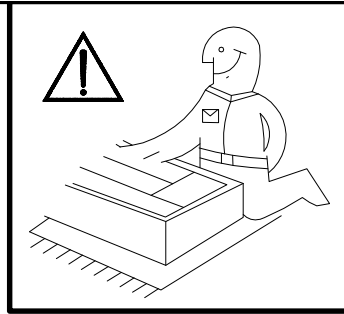


5

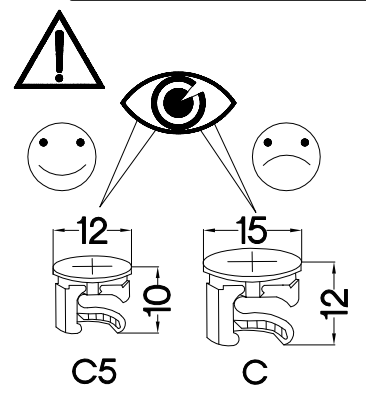


6


±12/10mm  C5 8	±8x30mm  A 16
---------------------------------------------------------------------------------------------------------	--------------------------------------------------------------------------------------------------------

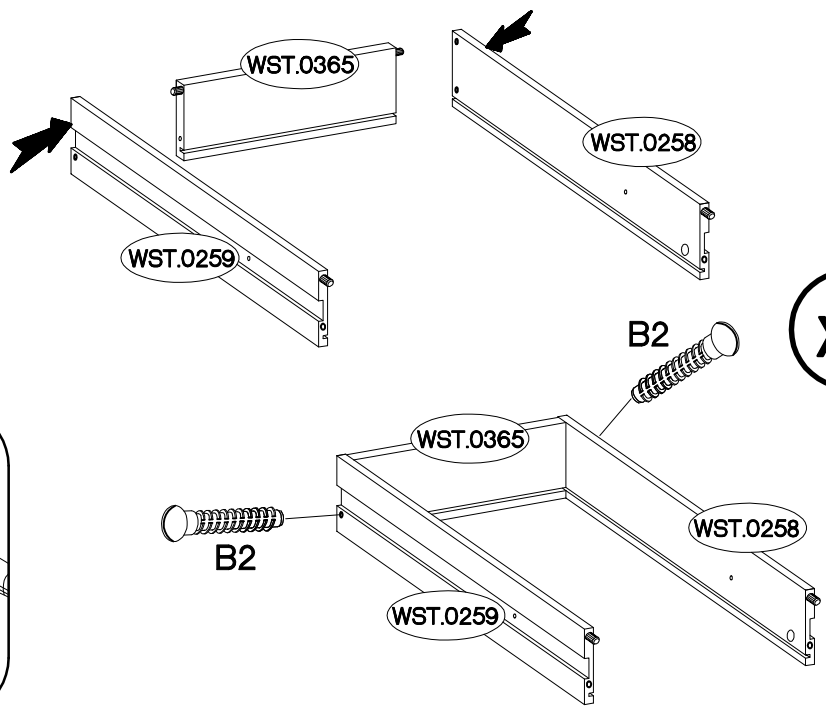


x4

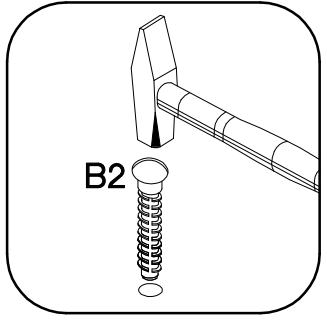


7

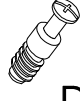
±6x42mm  B2 8

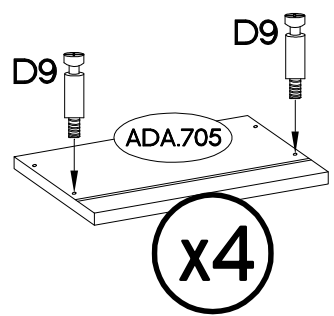


x4

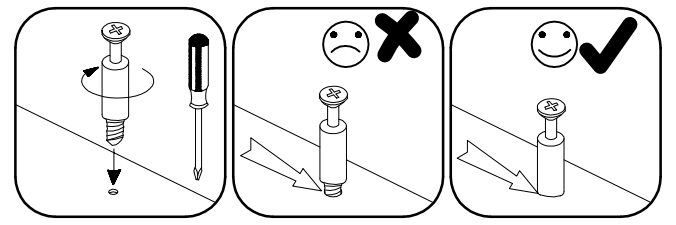


8

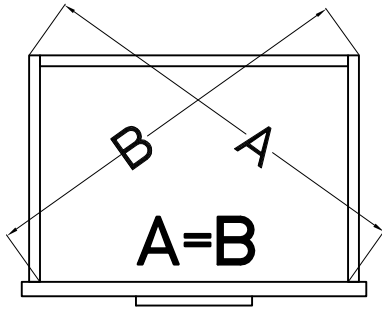
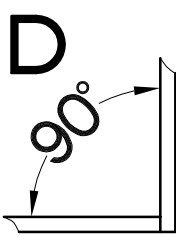
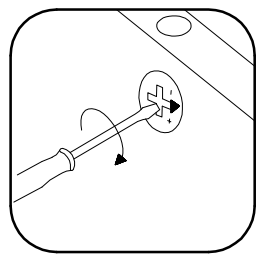
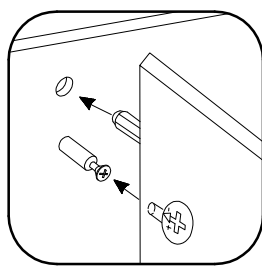
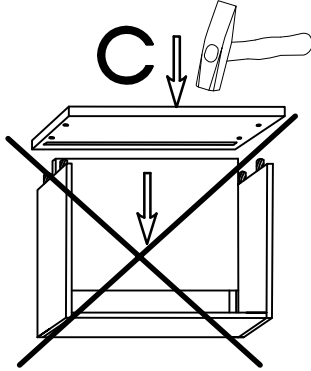
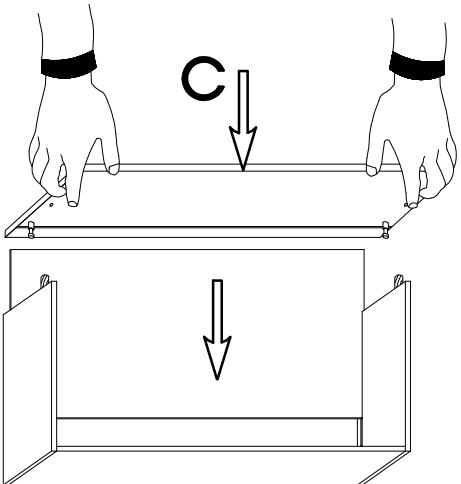
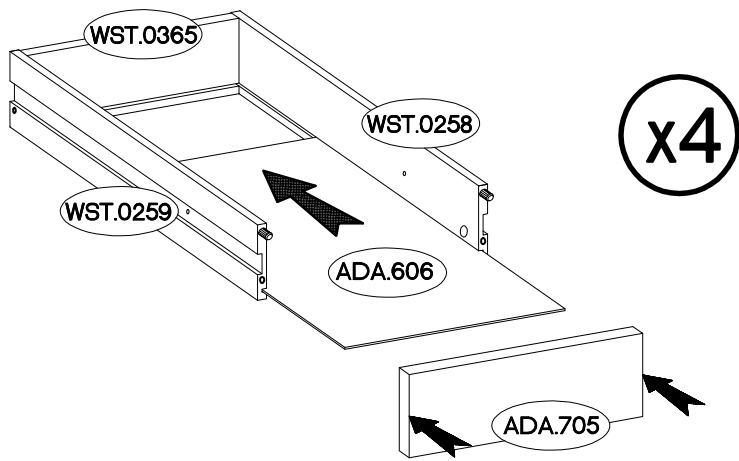
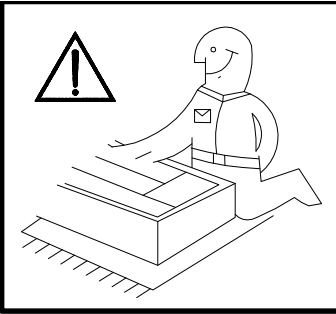
L=20/8mm  D9 8



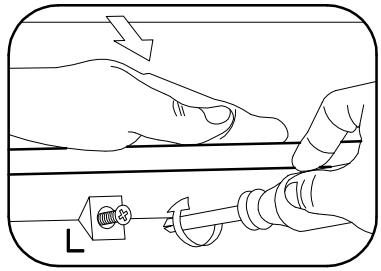
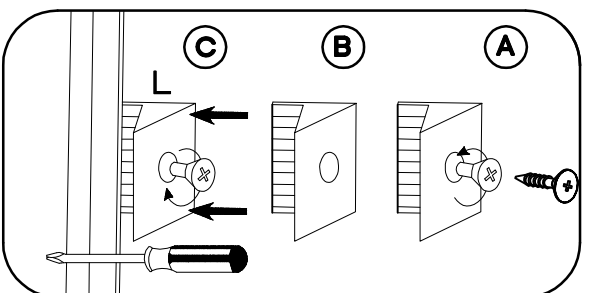
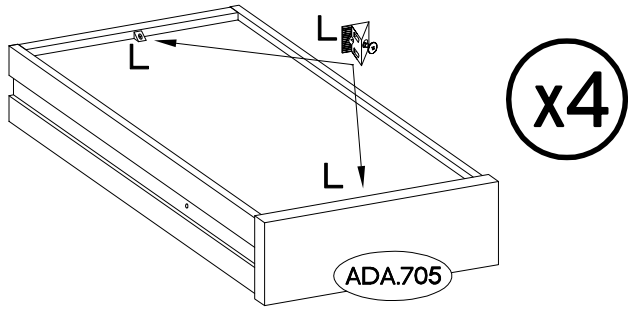
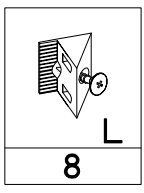
x4









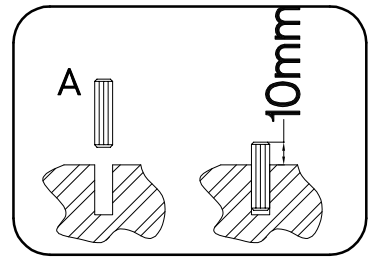
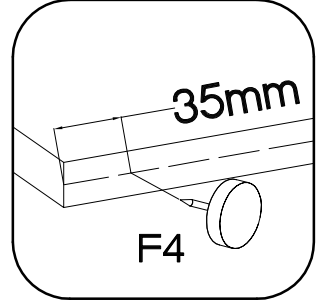
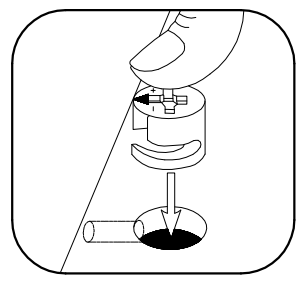
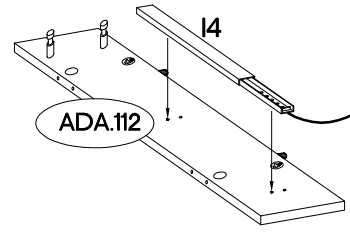
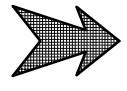
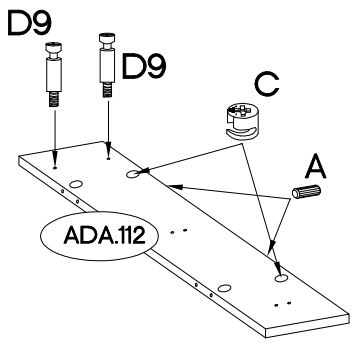
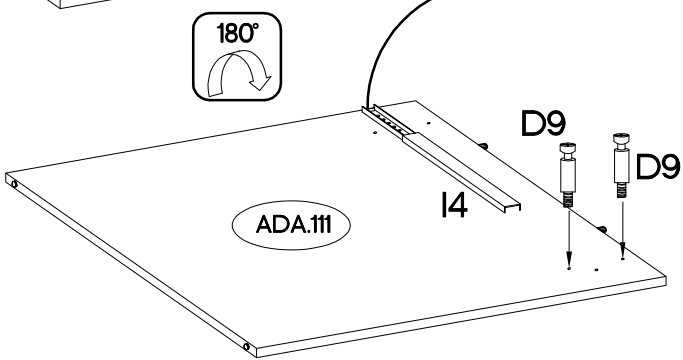
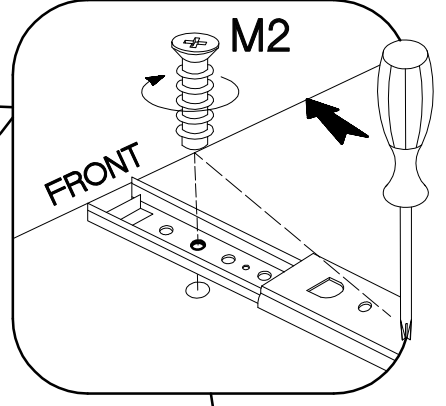
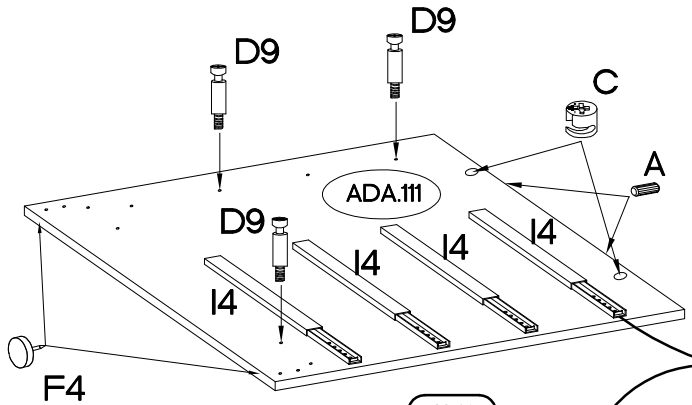
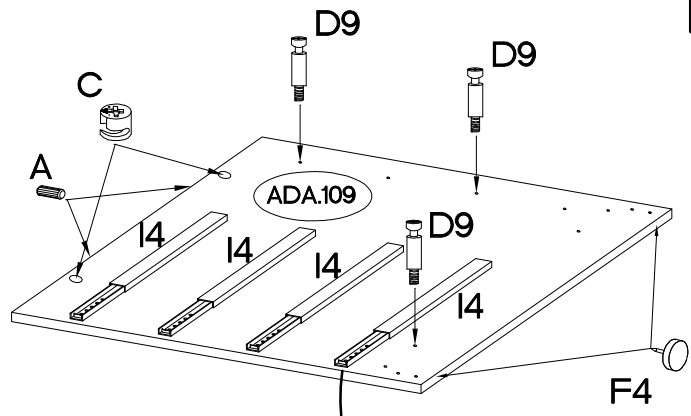
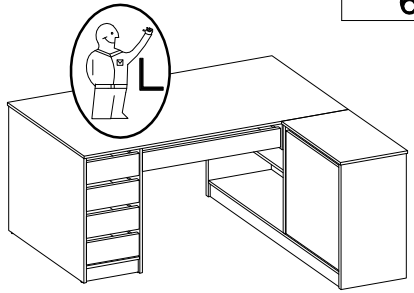
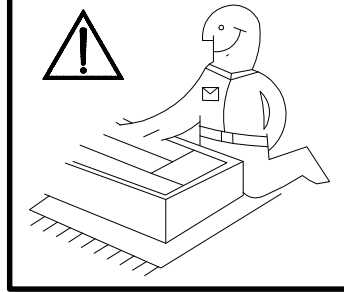
9

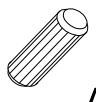
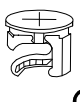



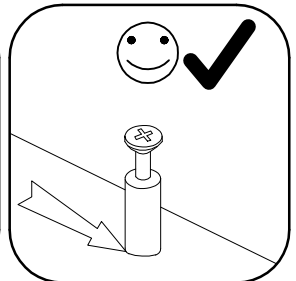
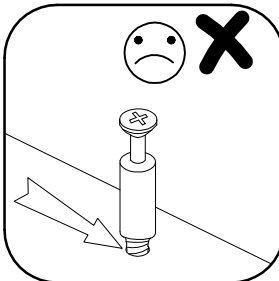
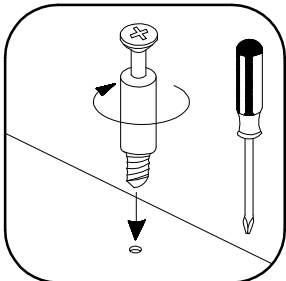
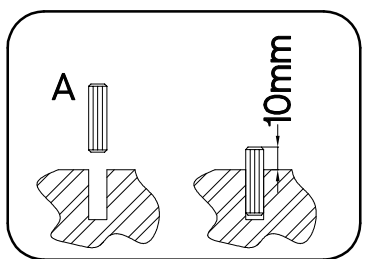
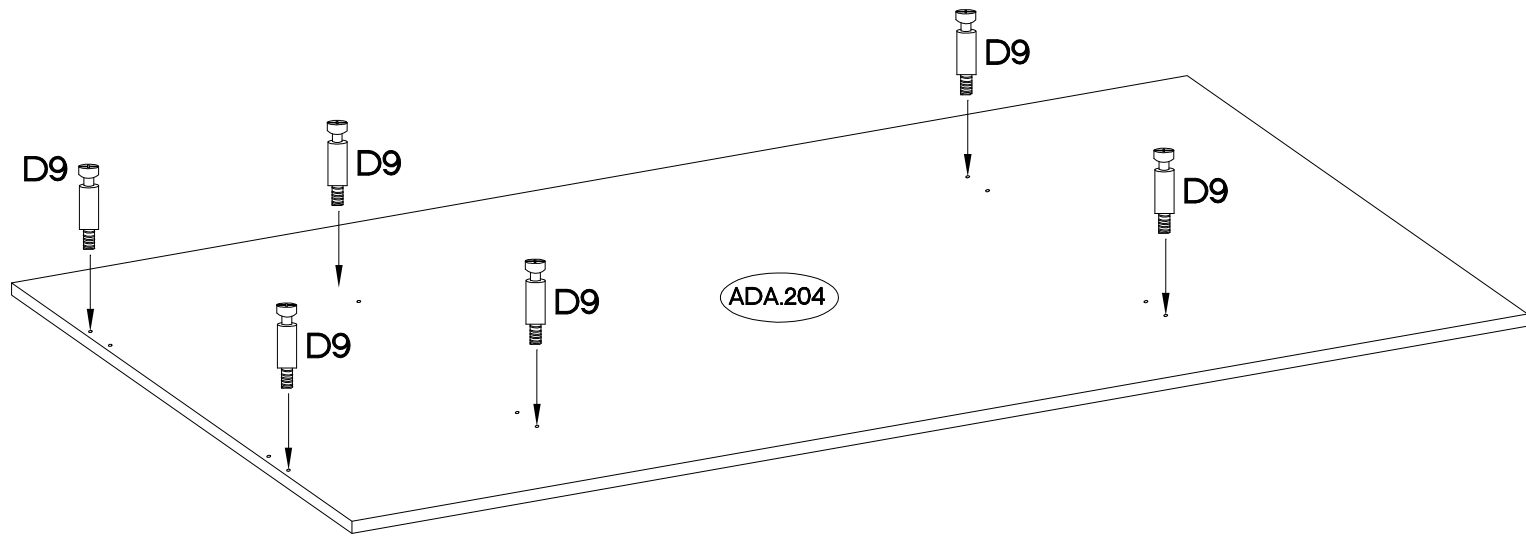
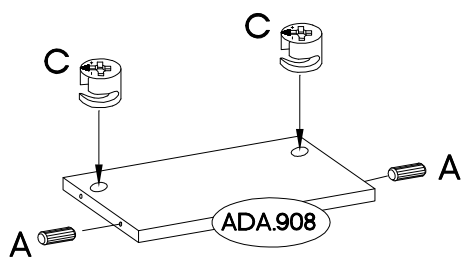
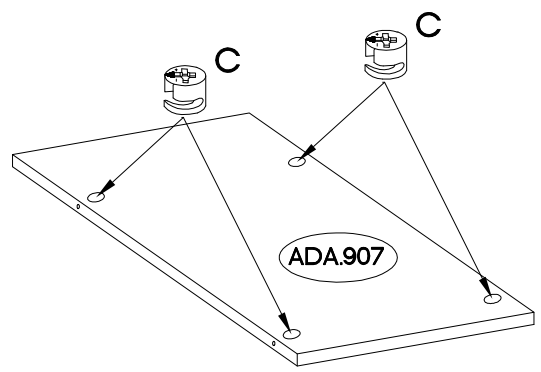
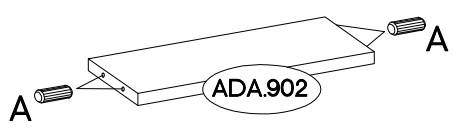
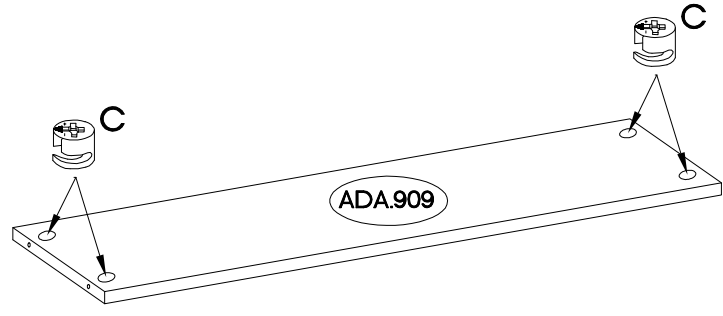
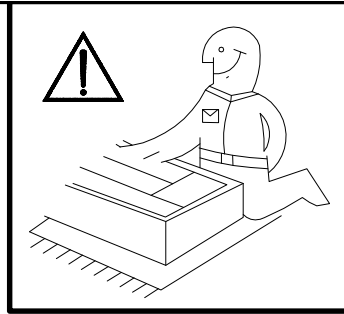
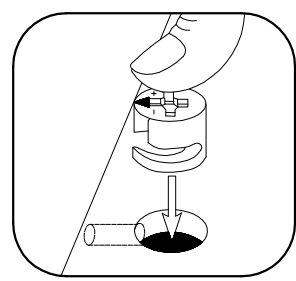
10



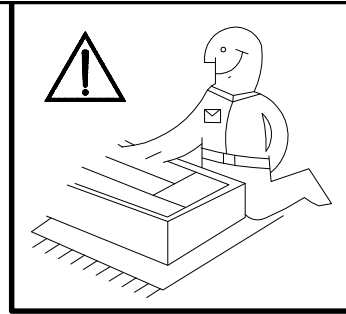
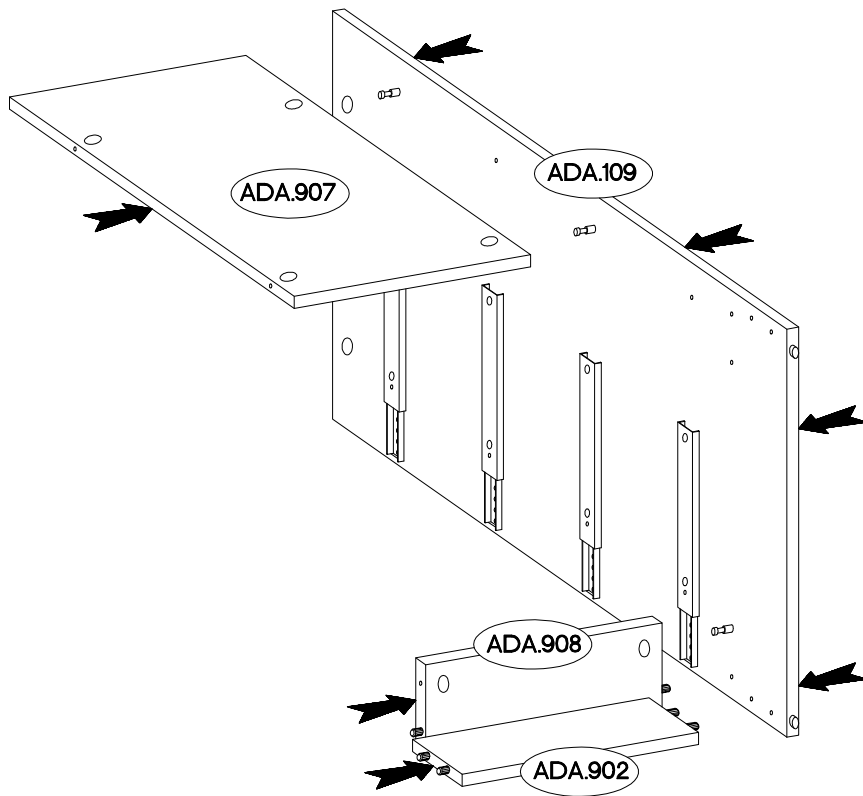
+8x30mm  A 6	+15/12mm  C 6	L=20/8mm  D9 10	+15x5mm  F4 4	27/310mm  I4 5	+6,3x13mm  M2 20
-------------------------------------------------------------------------------------------------------	--------------------------------------------------------------------------------------------------------	----------------------------------------------------------------------------------------------------------	--------------------------------------------------------------------------------------------------------	----------------------------------------------------------------------------------------------------------	-------------------------------------------------------------------------------------------------------------



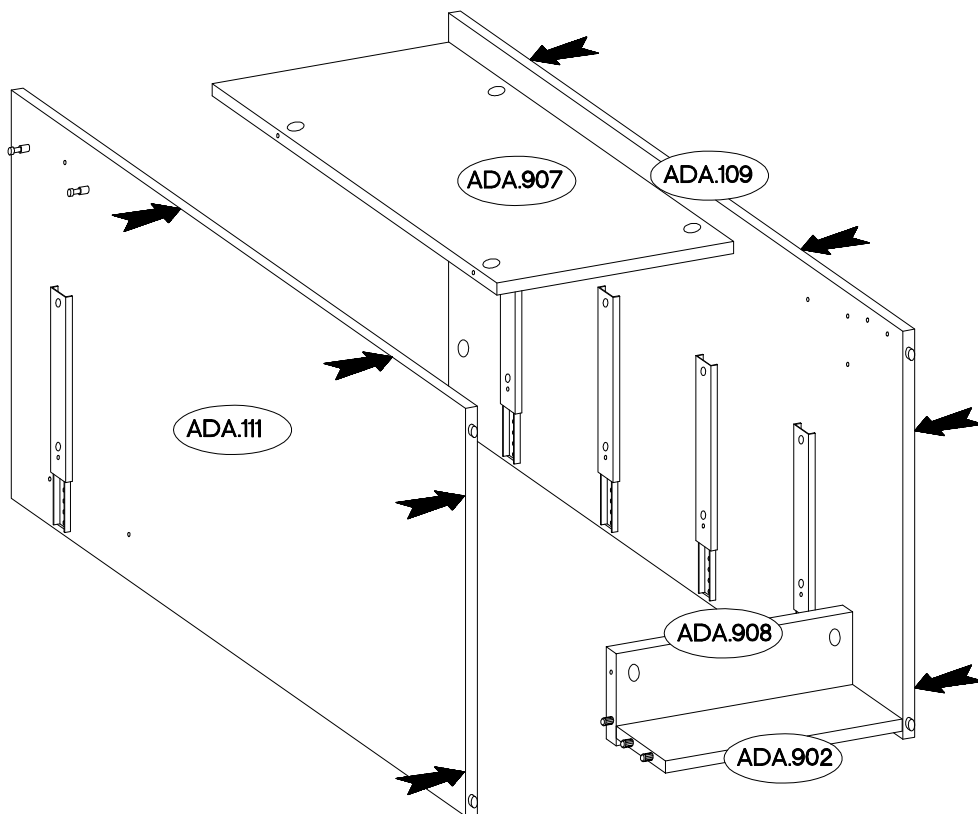
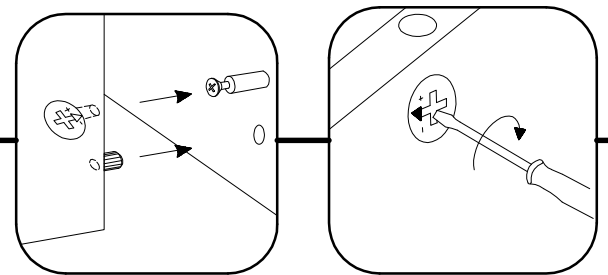
$\varnothing 8 \times 30 \text{mm}$  A 6	$\varnothing 15 / 12 \text{mm}$  C 10	L=20/8mm  D9 6
-----------------------------------------------------------------------------------------------------------------------------------	--------------------------------------------------------------------------------------------------------------------------------	---------------------------------------------------------------------------------------------------------



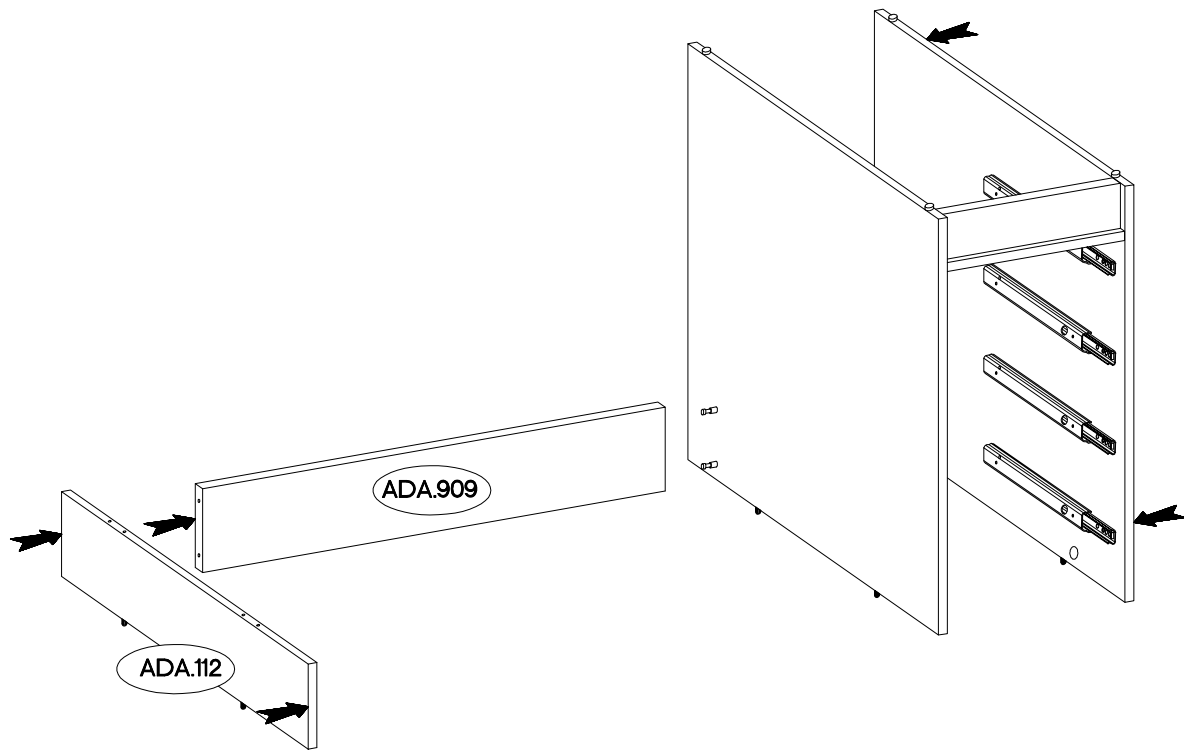
13



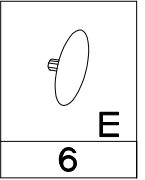
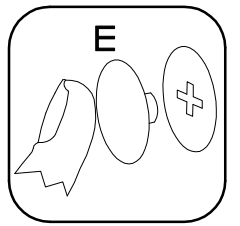
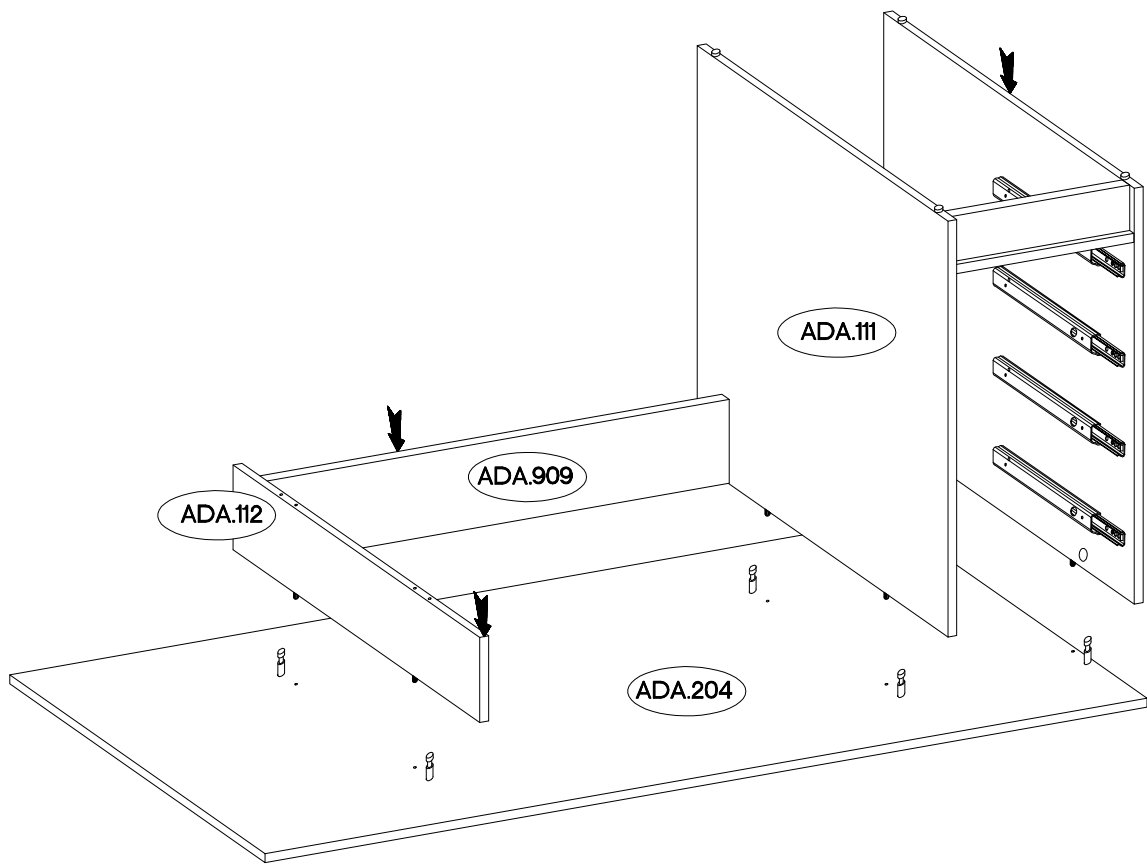
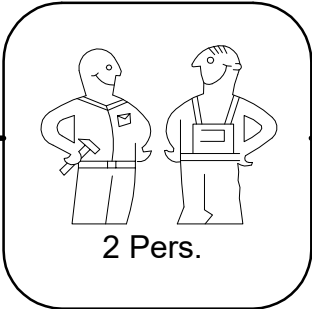
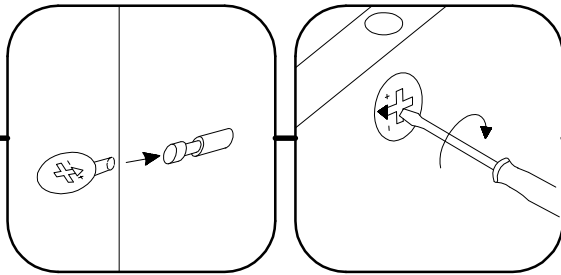
14





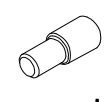


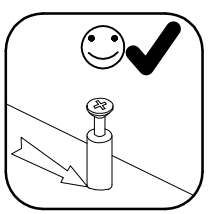
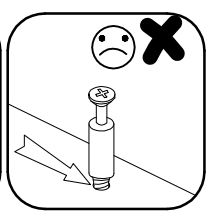
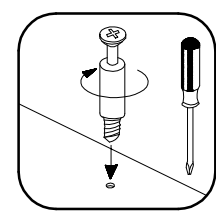
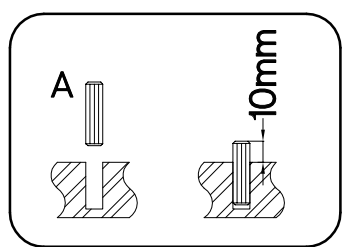
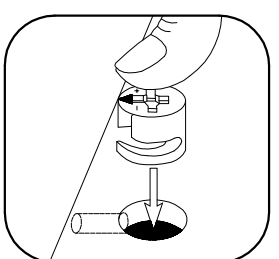
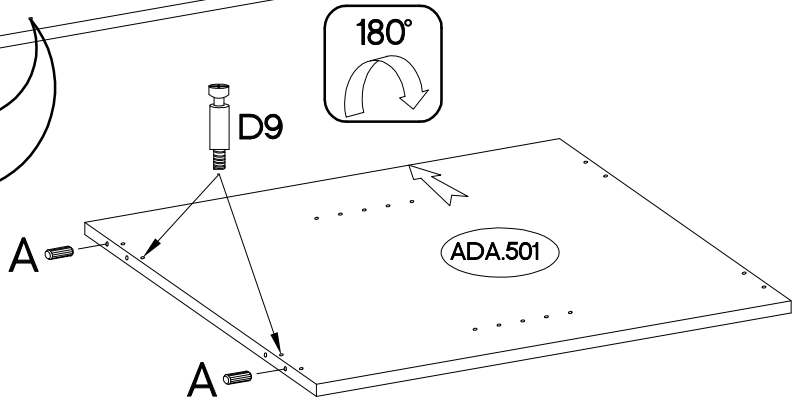
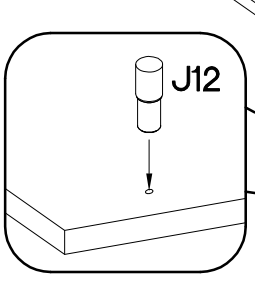
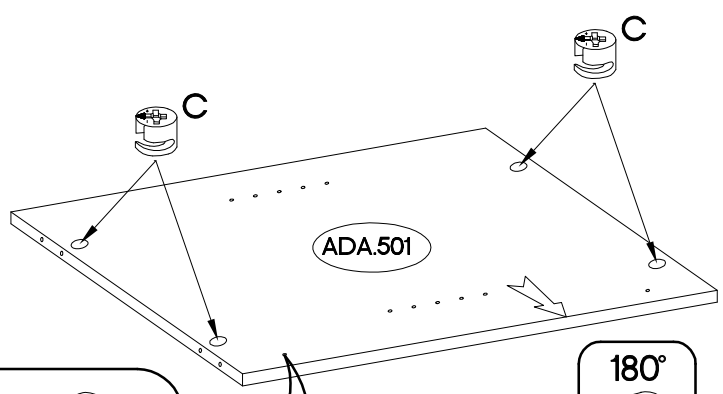
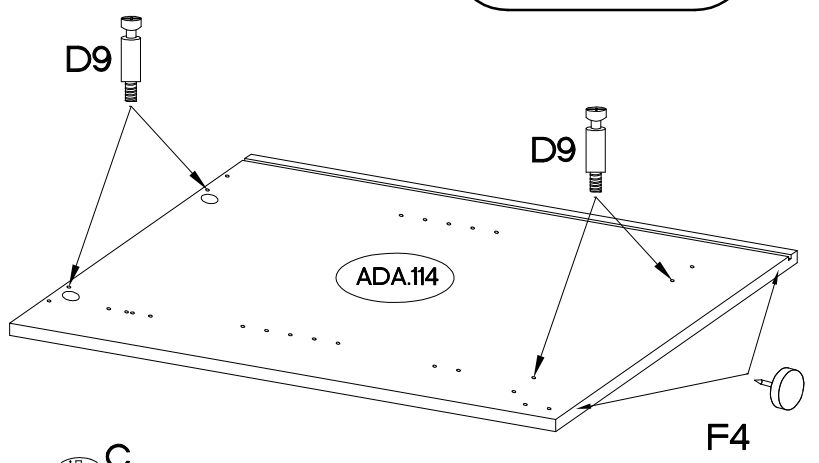
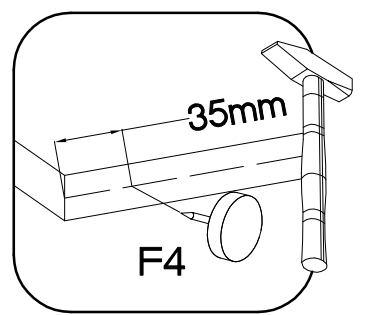
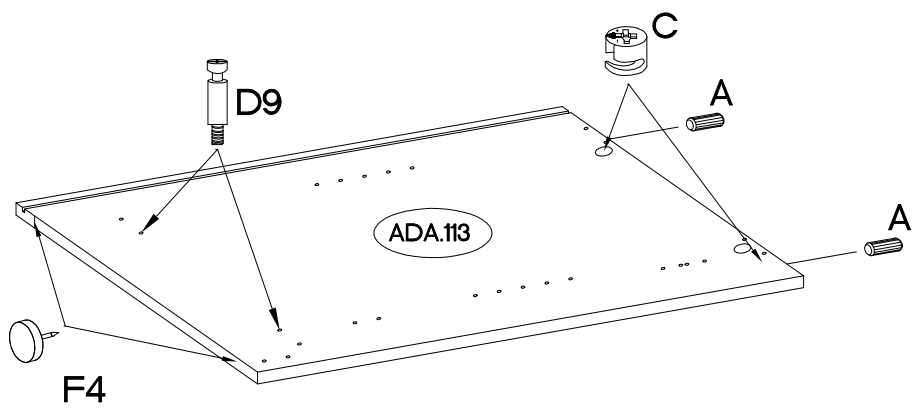
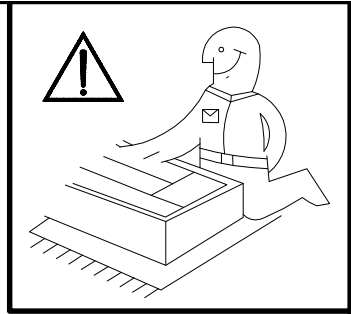
15




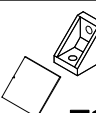



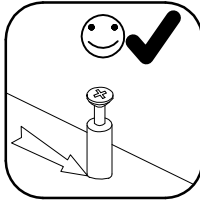
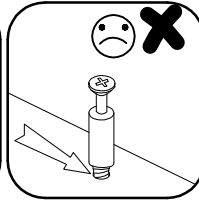
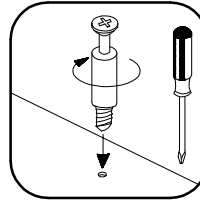
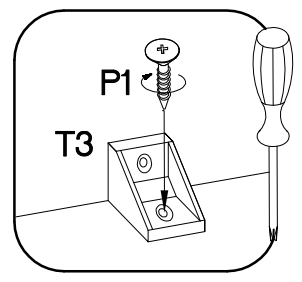
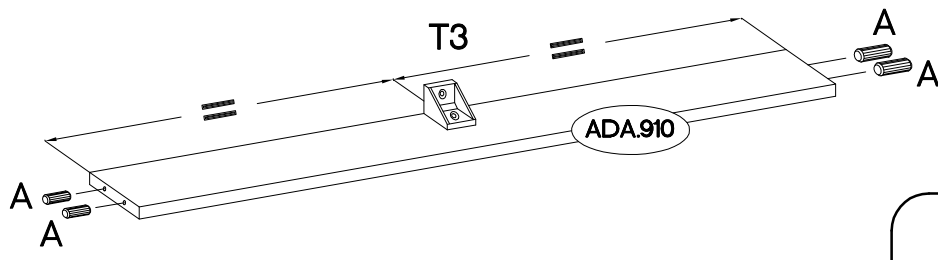
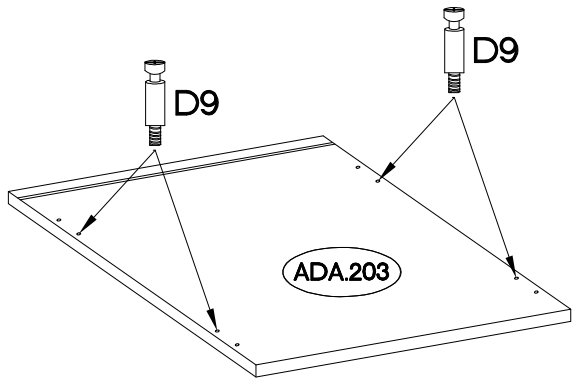
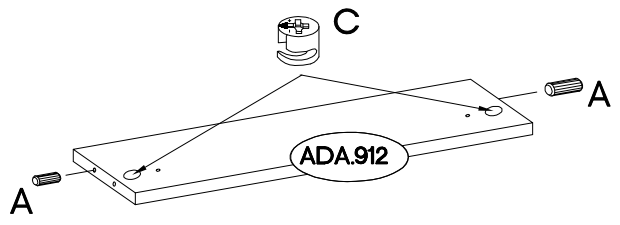
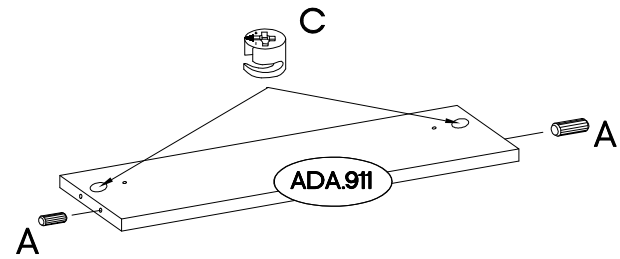
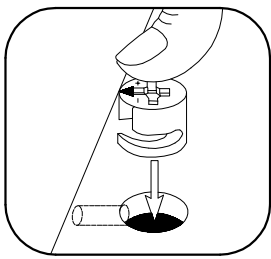
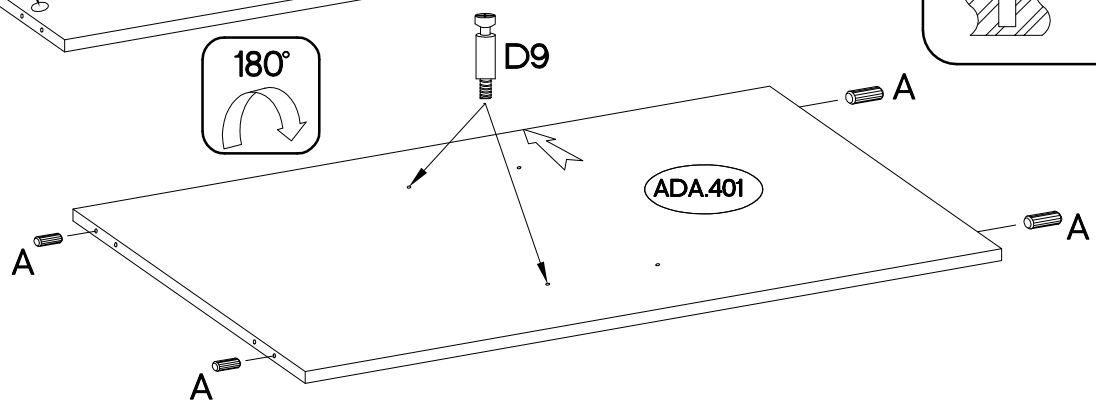
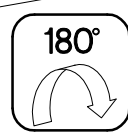
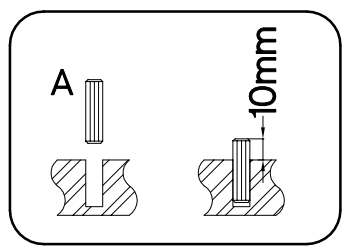
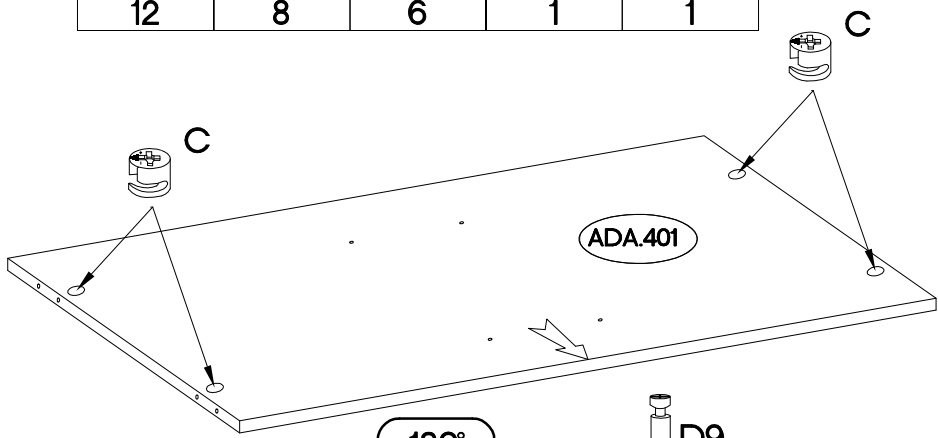
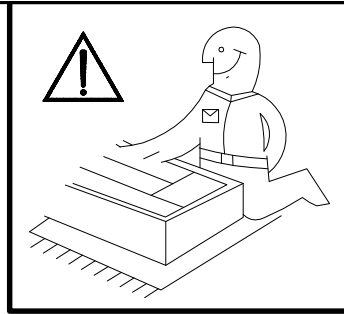
16

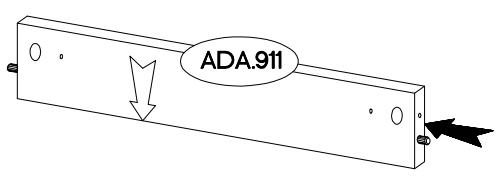
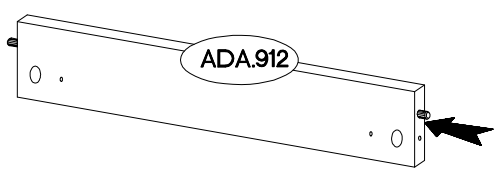
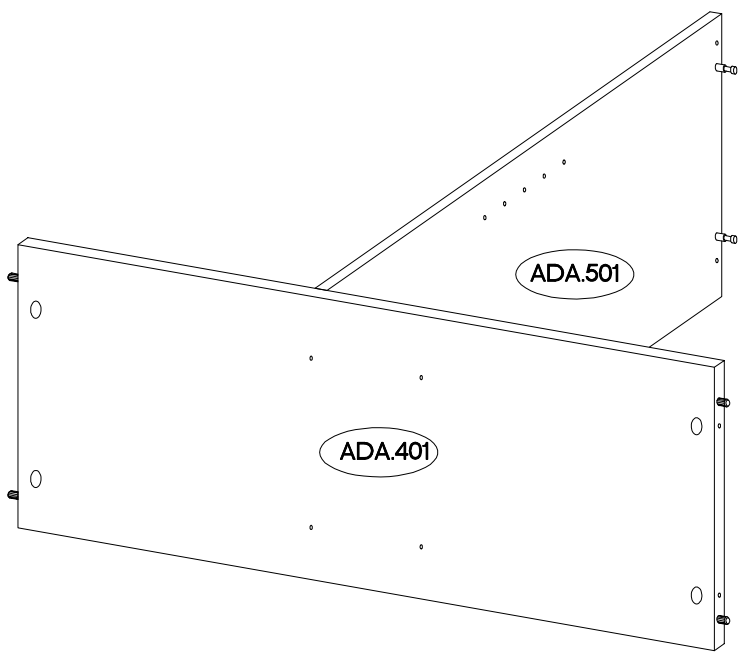
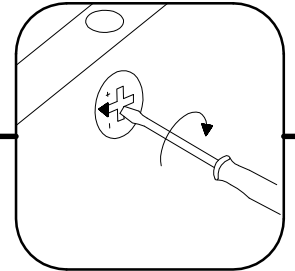
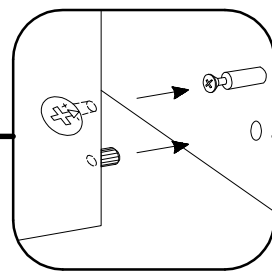
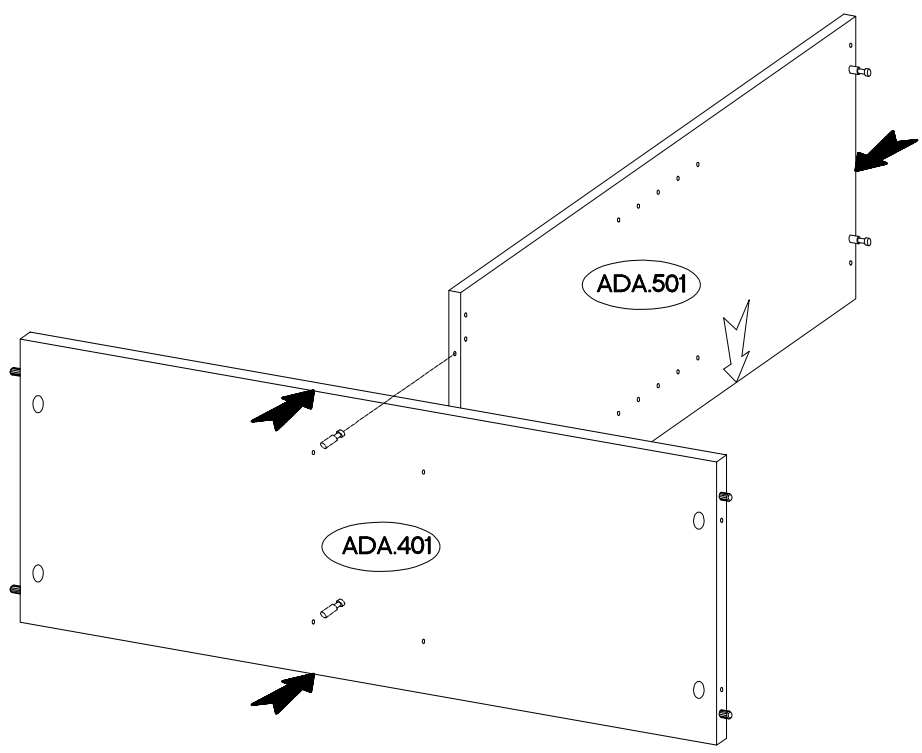
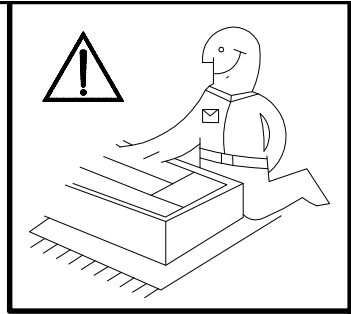


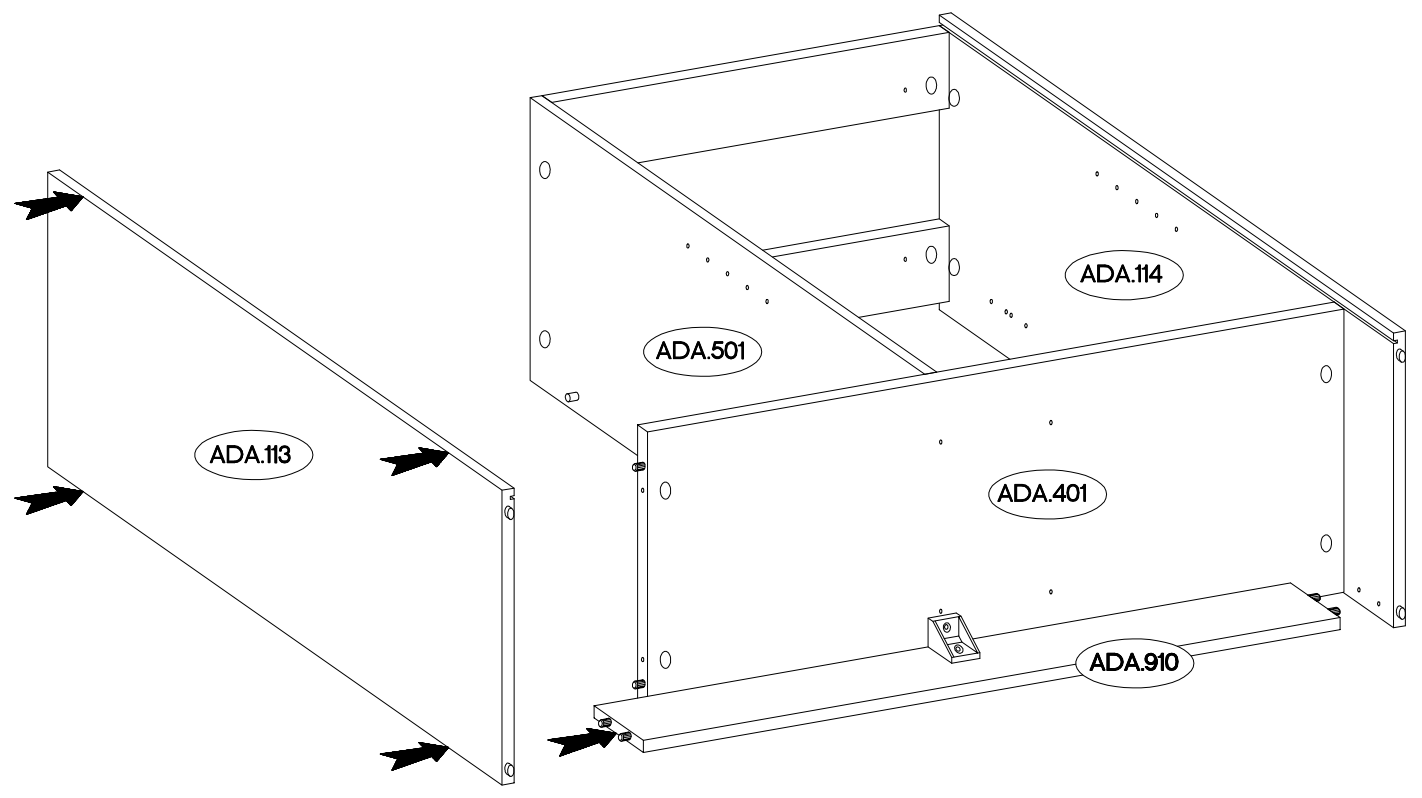
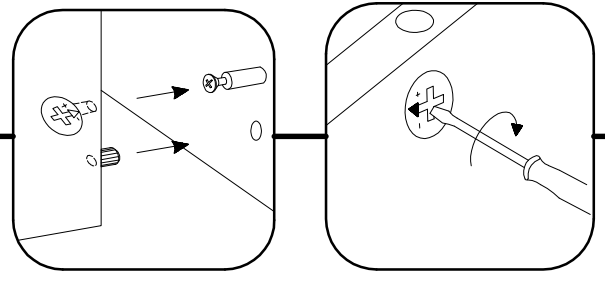
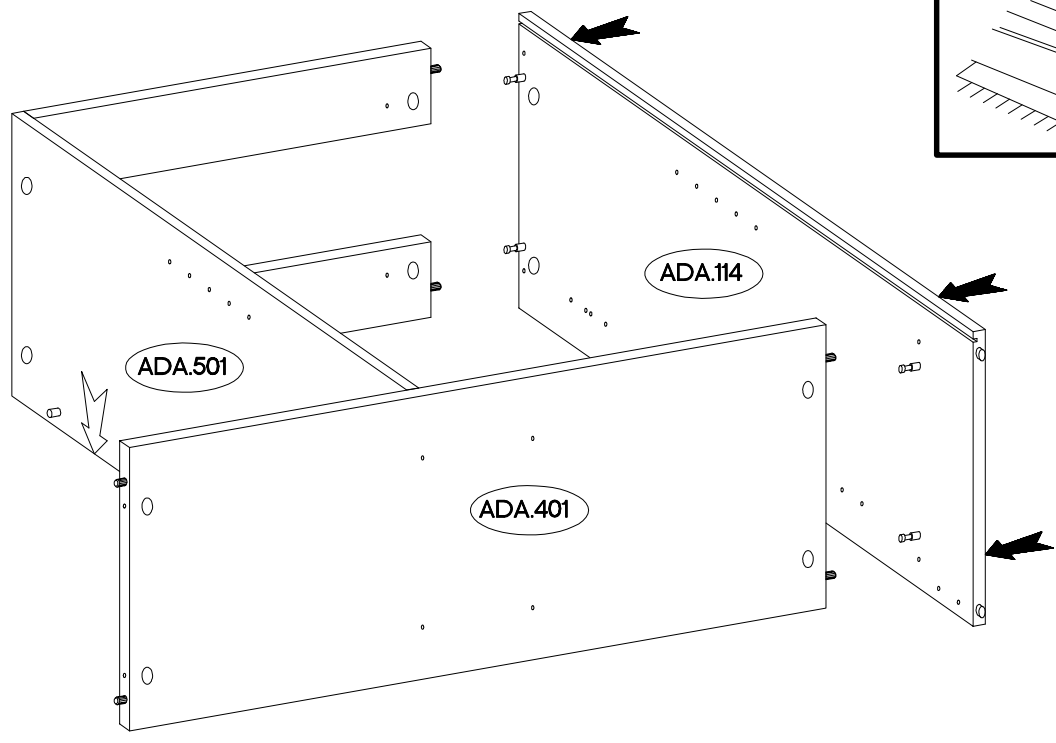
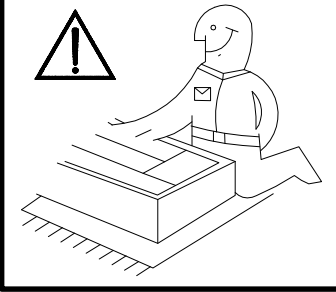
 <p>‡8x30mm A</p>	 <p>‡15/12mm C</p>	 <p>L=20/8mm D9</p>	 <p>‡15x5mm F4</p>	 <p>J12</p>
4	6	8	4	1



 <p>±8x30mm A</p>	 <p>±15/12mm C</p>	 <p>L=20/8mm D9</p>	 <p>T3</p>	 <p>±4.0x16mm P1</p>
12	8	6	1	1





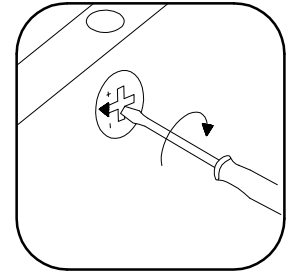
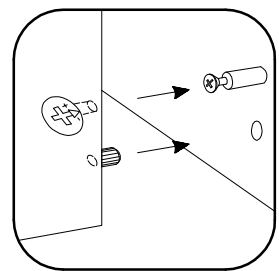
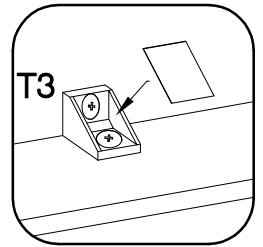
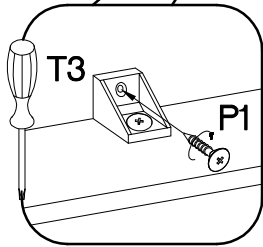
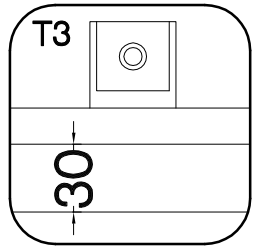
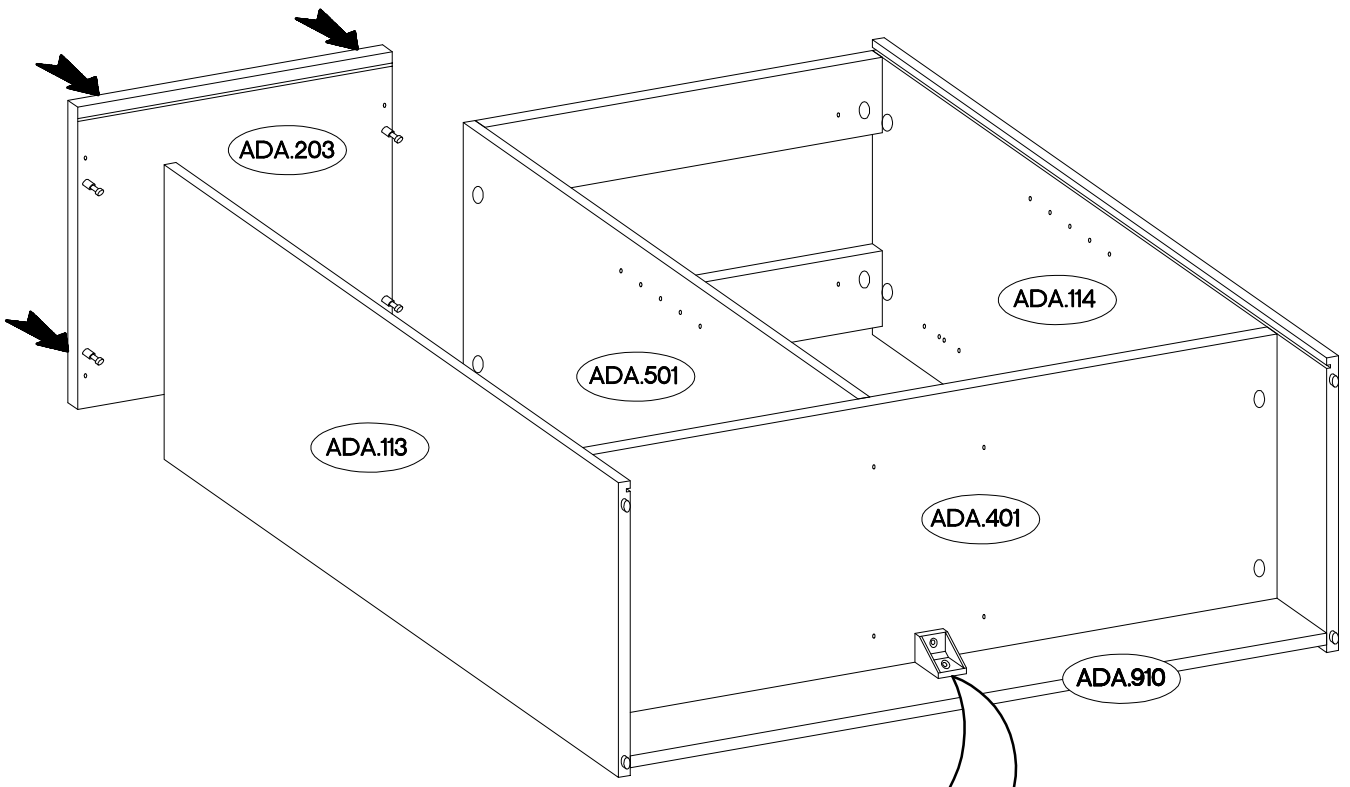
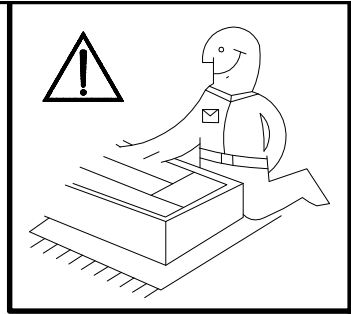



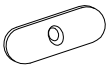
4.0x16mm

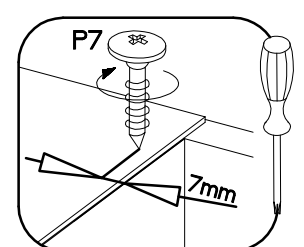
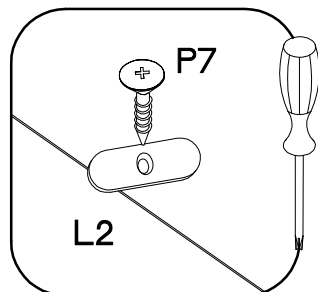
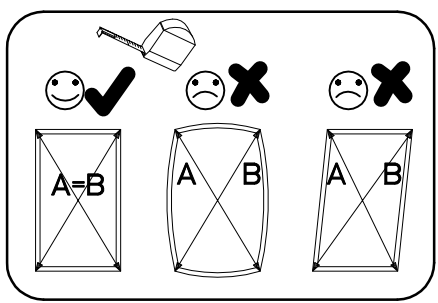
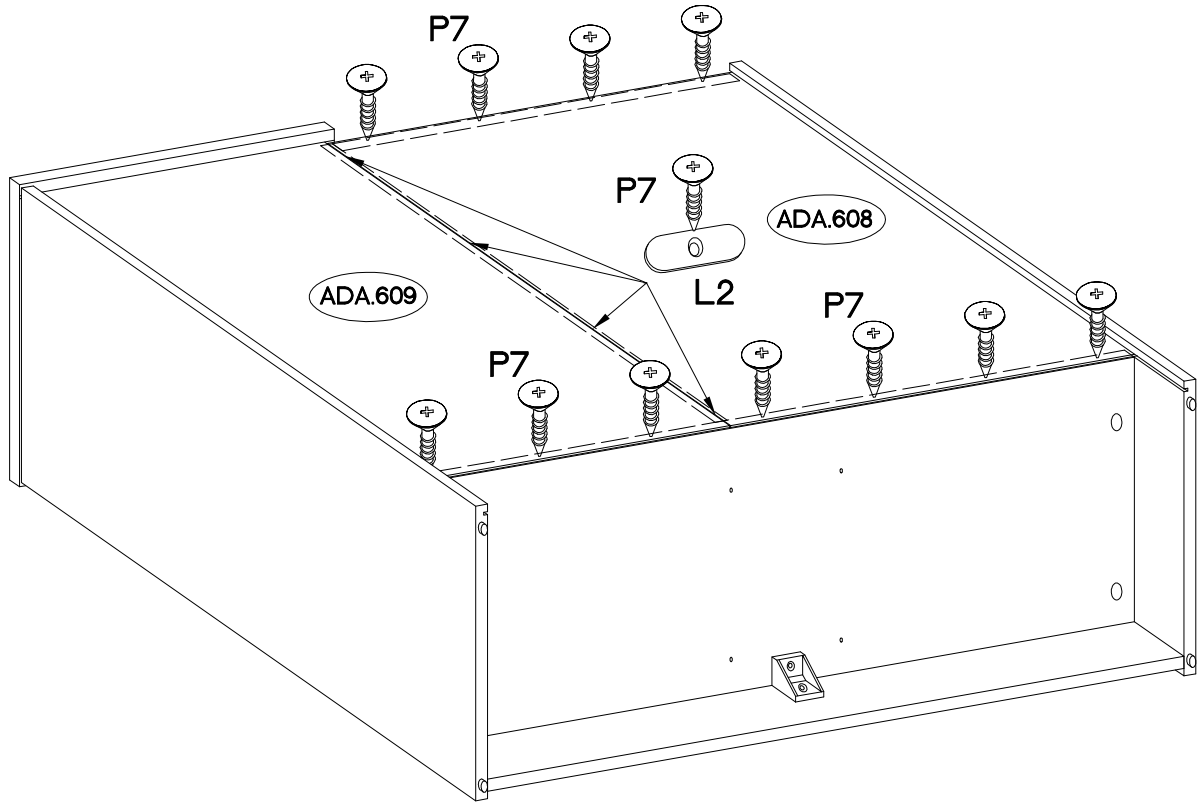
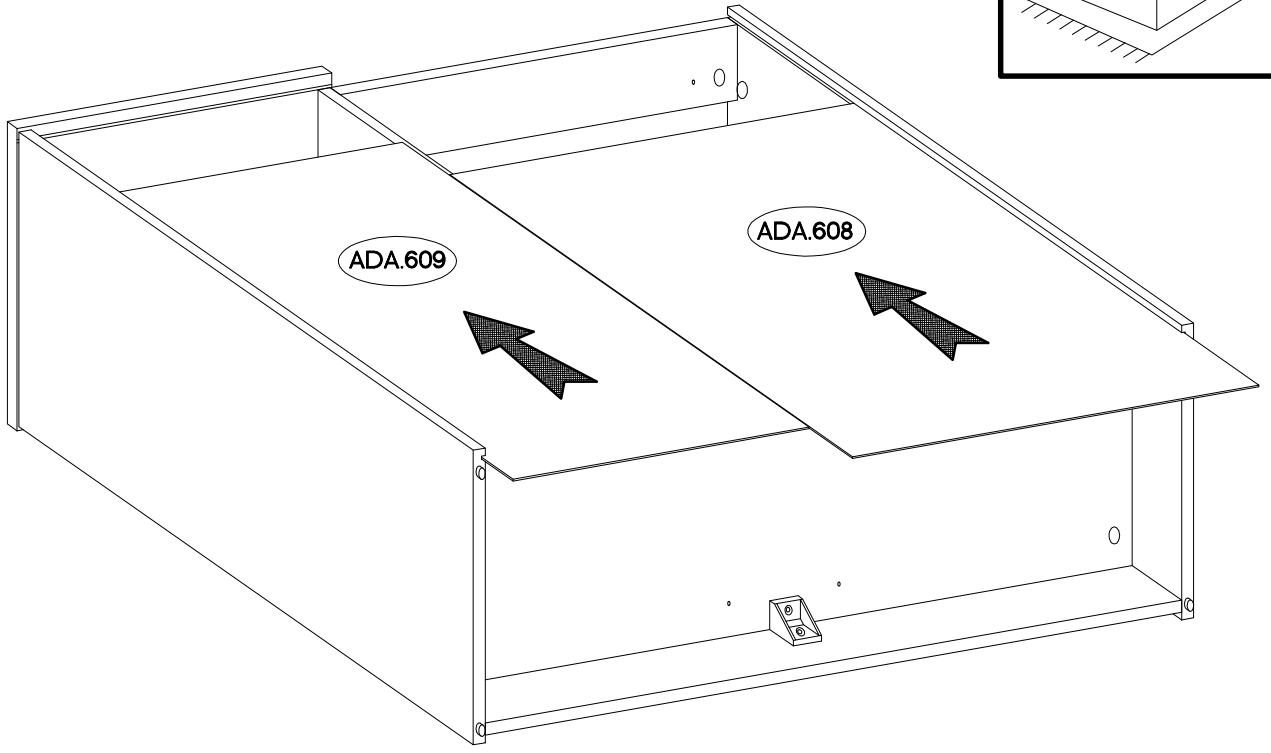
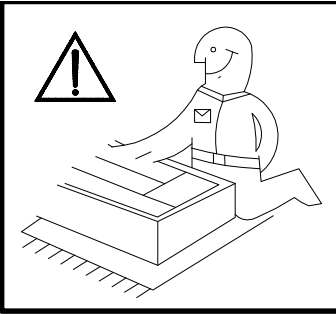


P1

1



±3.0x20mm  P7 15	 L2 4
-----------------------------------------------------------------------------------------------------------	---------------------------------------------------------------------------------------------

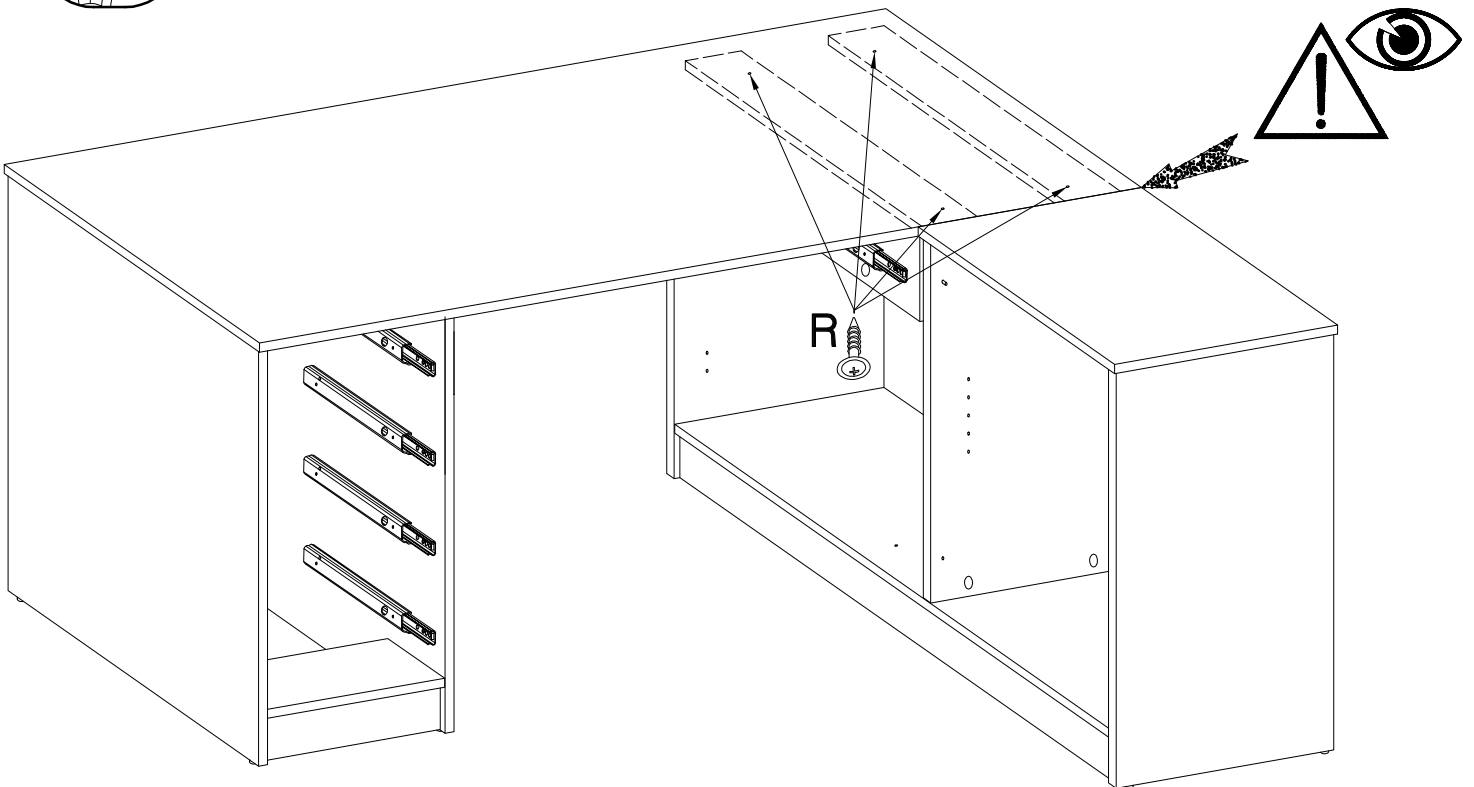
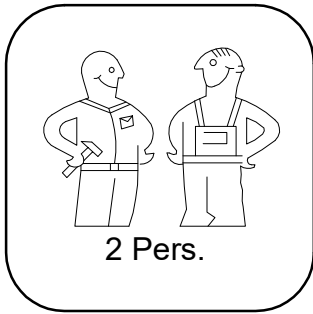
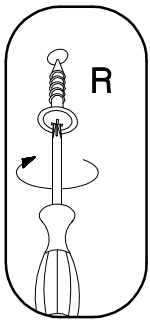
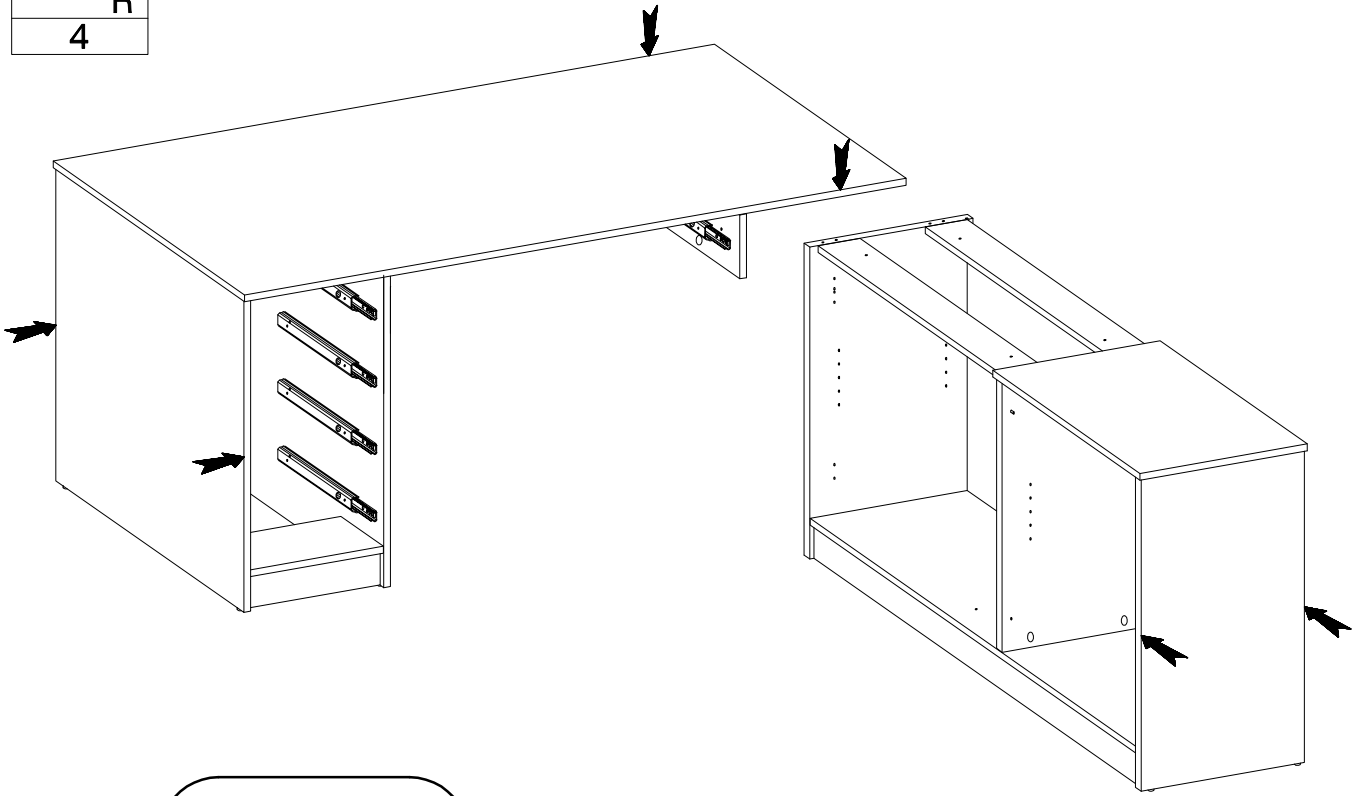



4.0x25mm

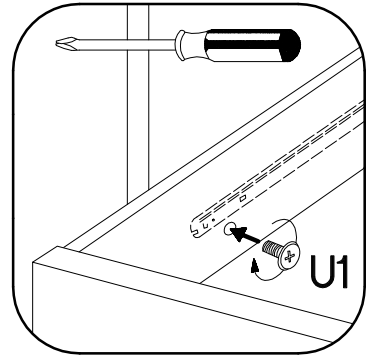
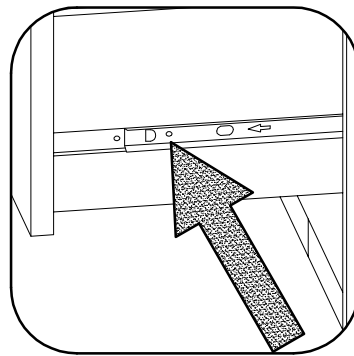
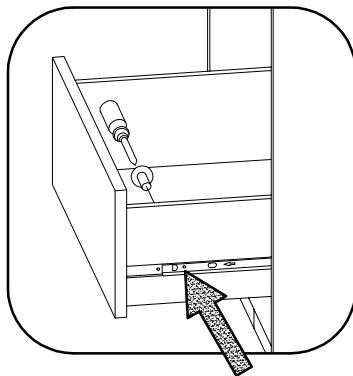
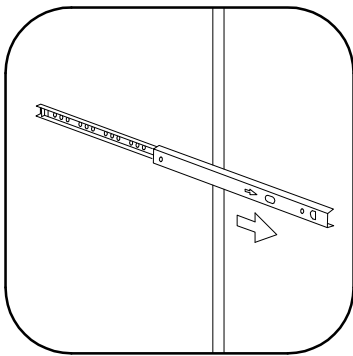
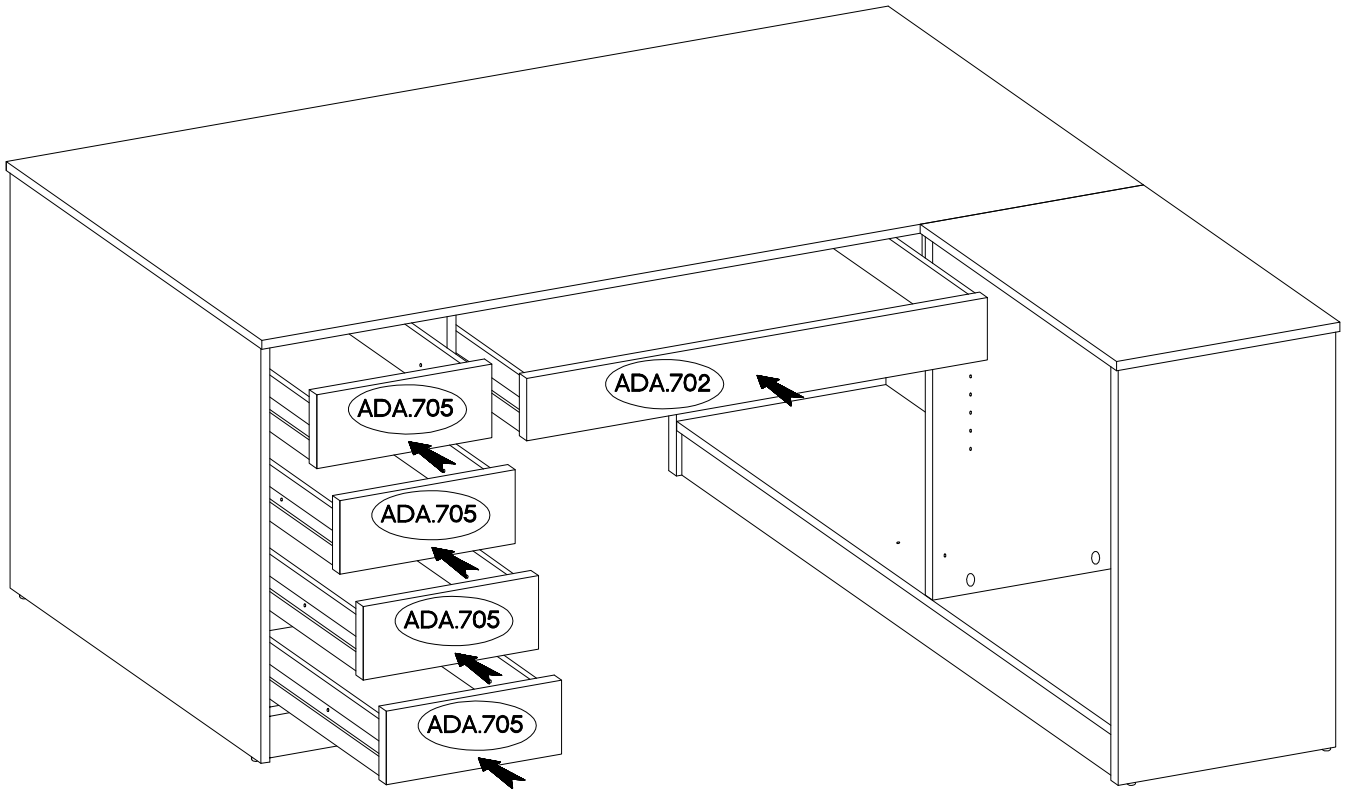


R

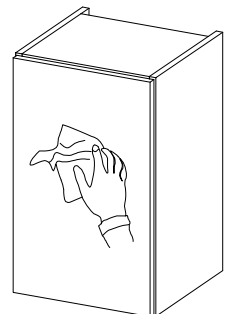
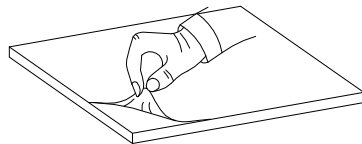
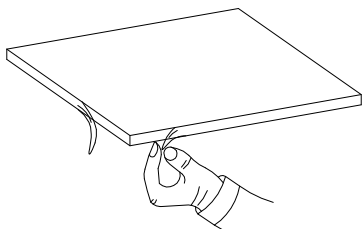
4



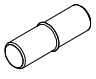

M4x9mm

U1
10

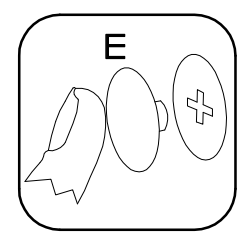
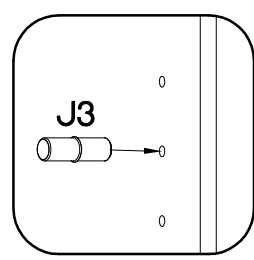
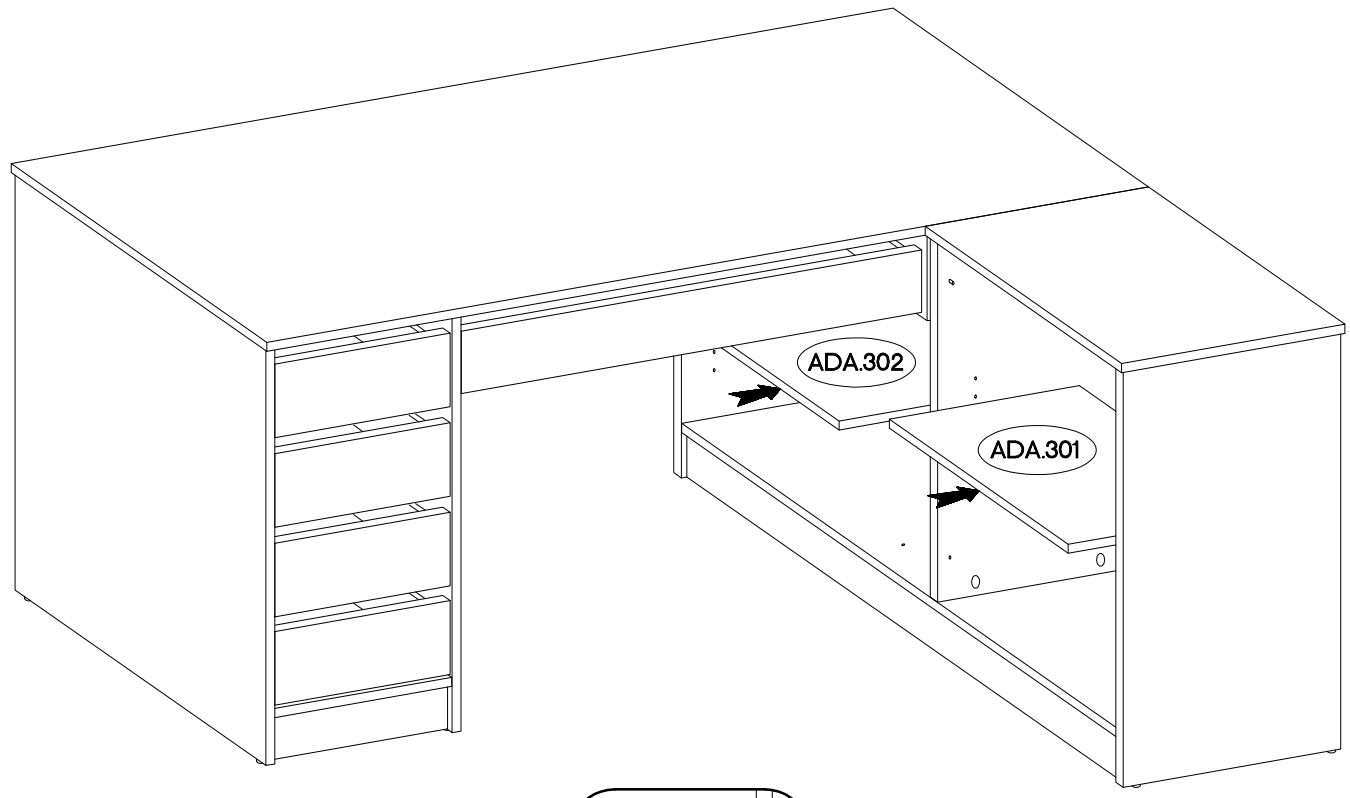


VARIANT HIGH GLOSS





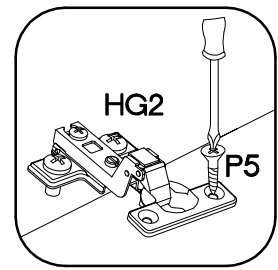
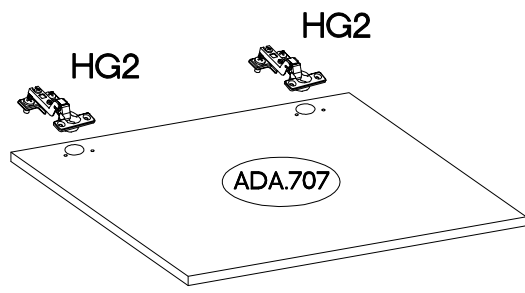
27


+5/16mm		
	J3	E
	8	6

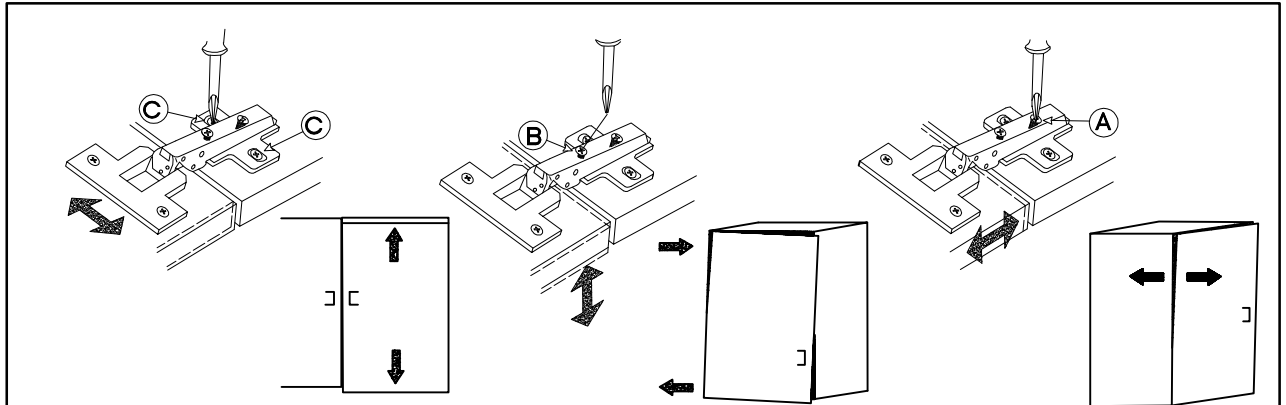
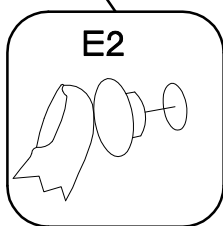
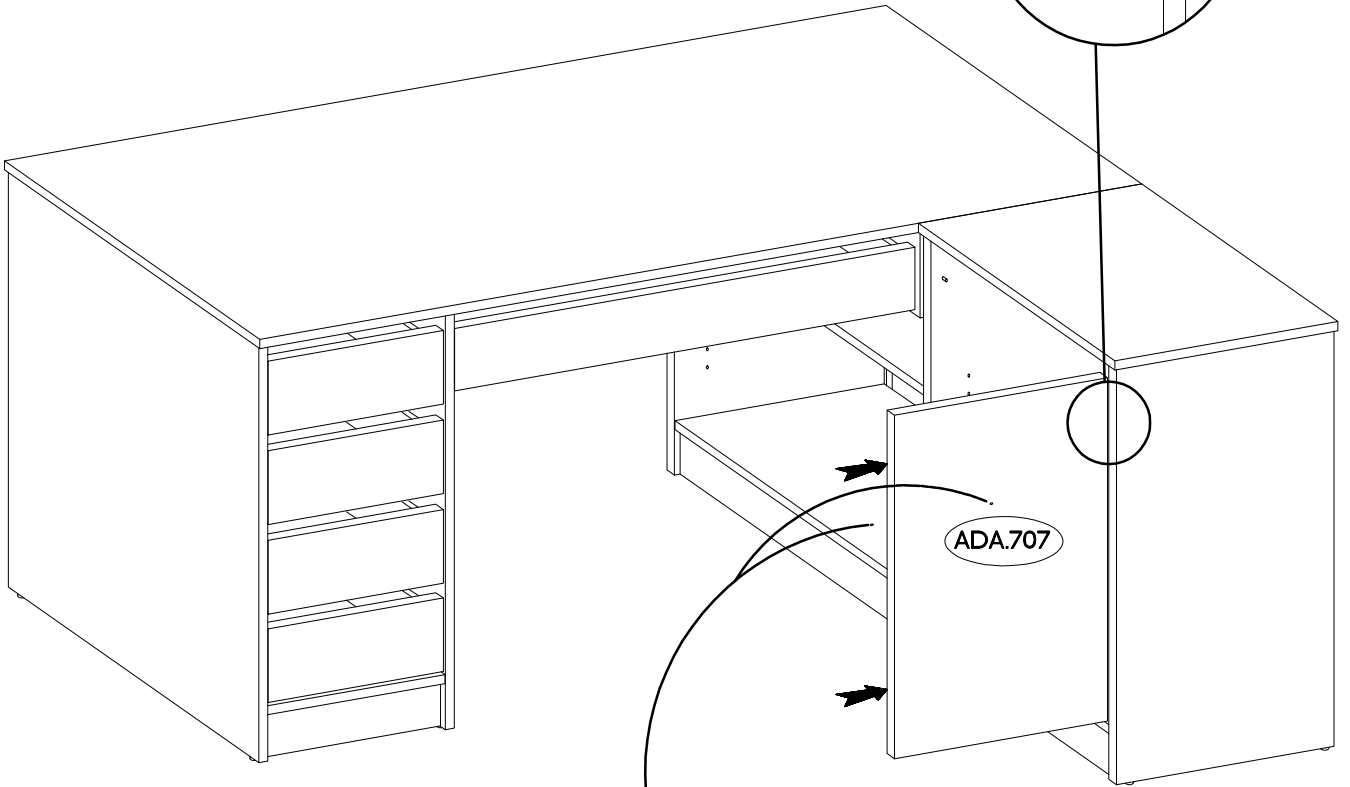
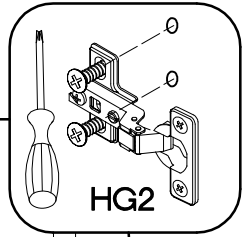


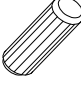

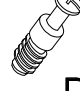


28

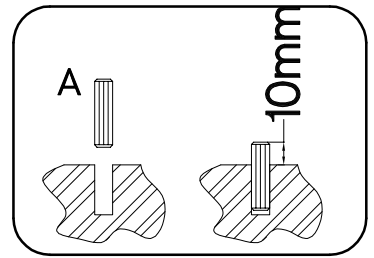
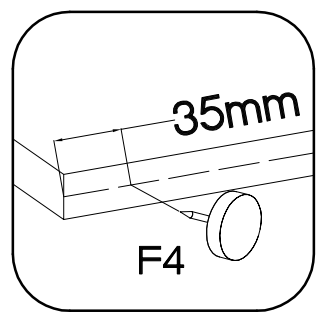
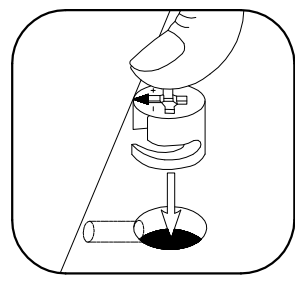
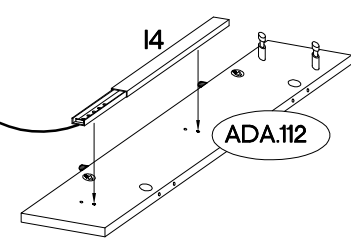
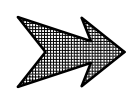
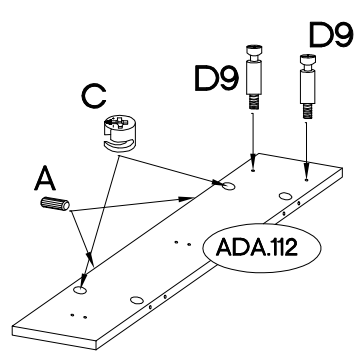
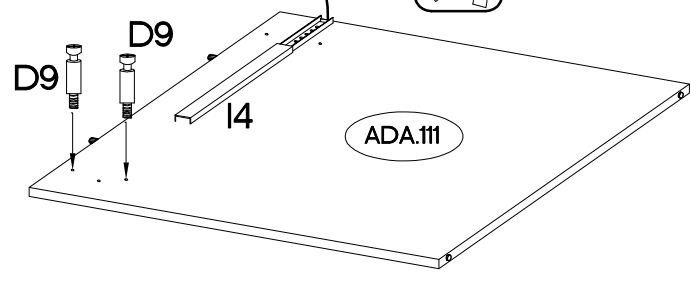
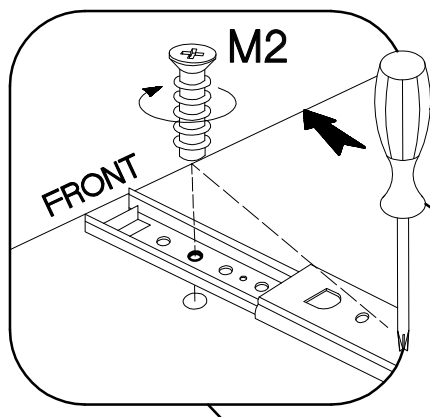
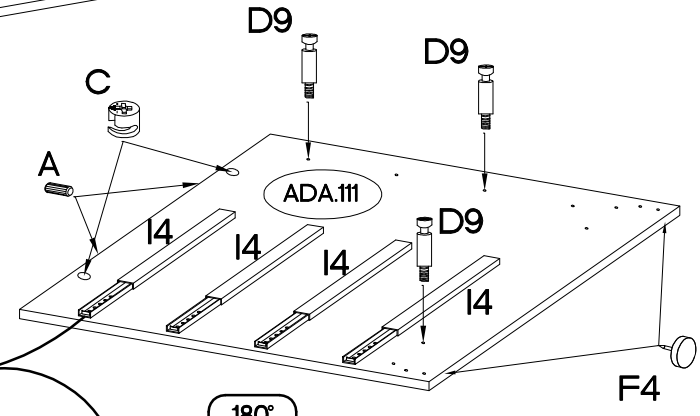
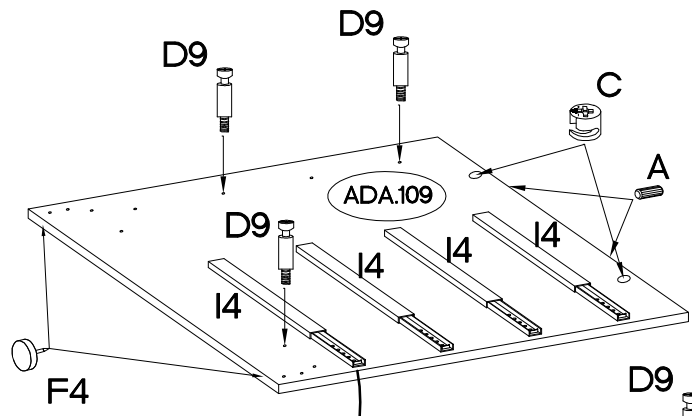
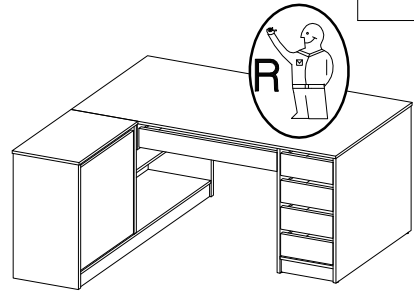
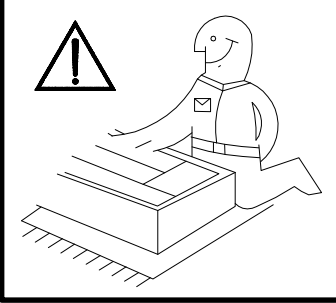
+35/16mm	+3.5x13mm
	
HG2	P5
2	4

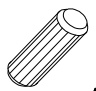




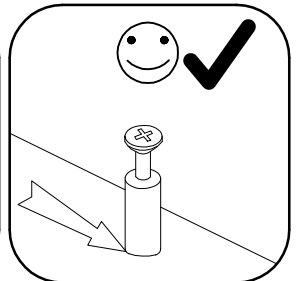
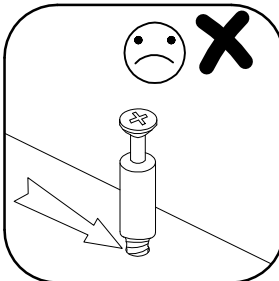
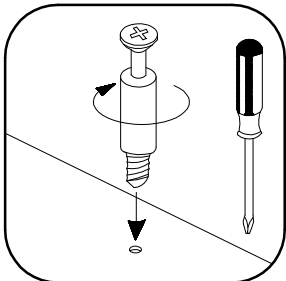
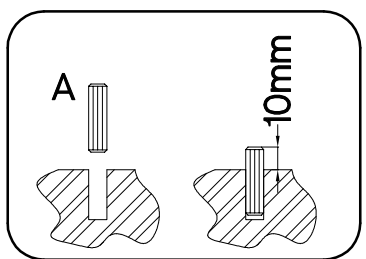
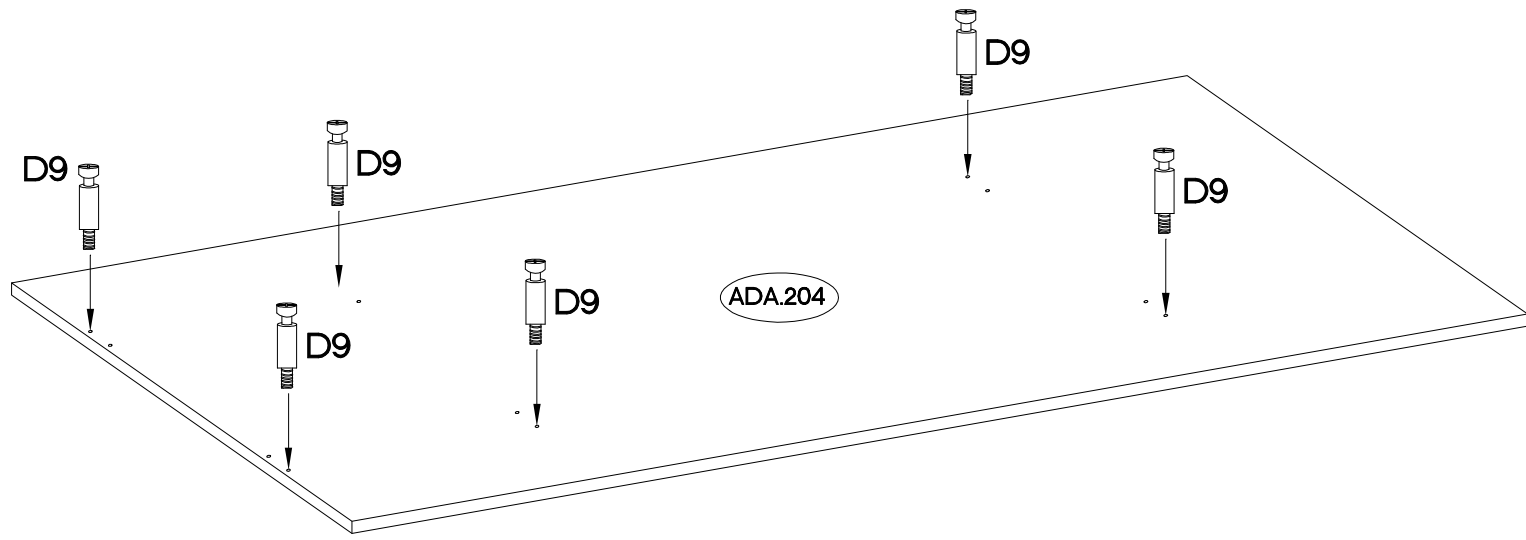
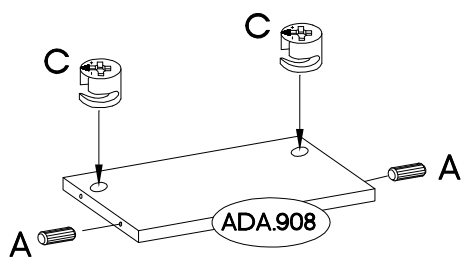
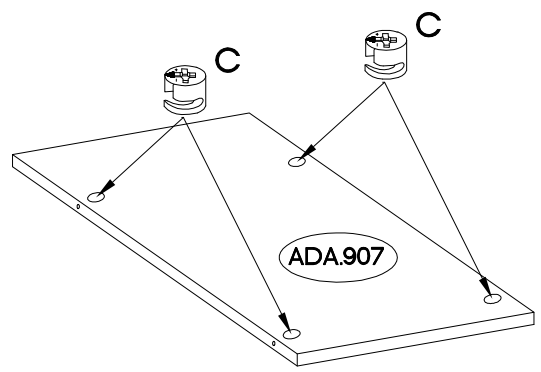
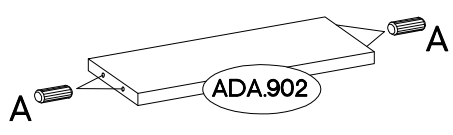
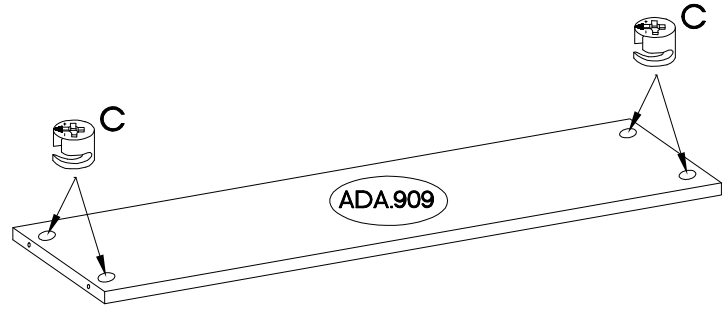
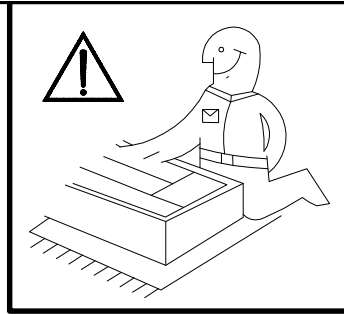
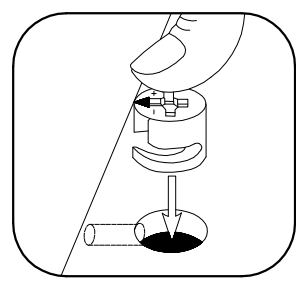
15

E2
2



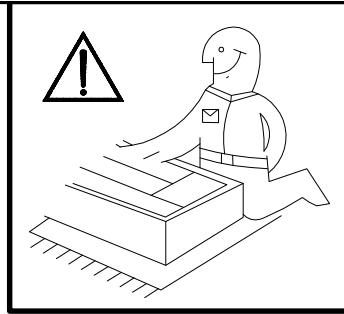
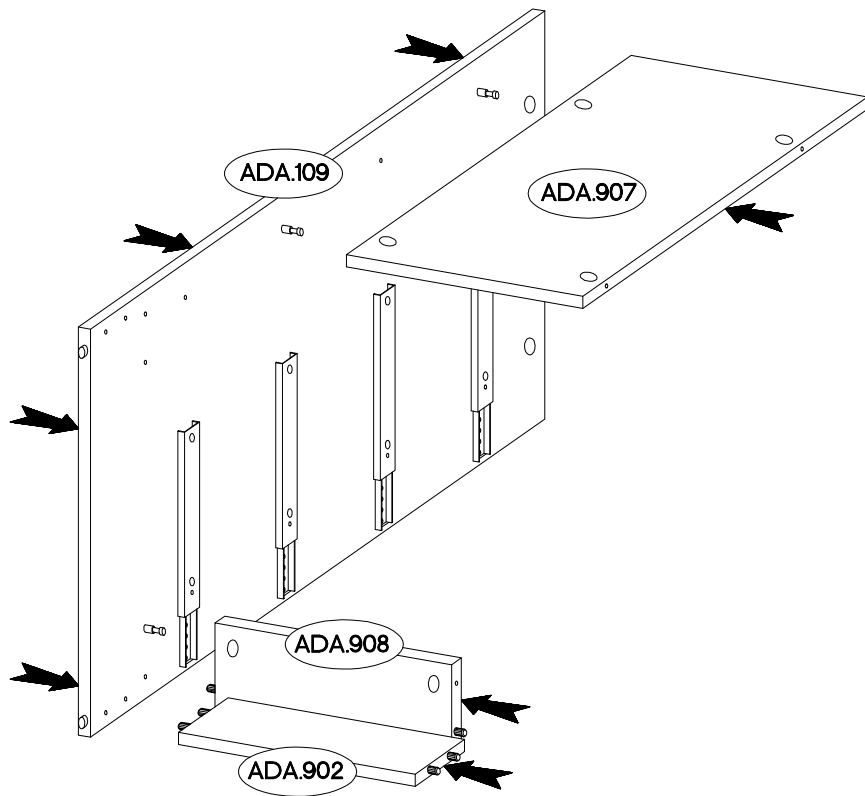
+8x30mm  A 6	+15/12mm  C 6	L=20/8mm  D9 10	+15x5mm  F4 4	27/310mm  I4 5	+6,3x13mm  M2 20
-------------------------------------------------------------------------------------------------------	--------------------------------------------------------------------------------------------------------	----------------------------------------------------------------------------------------------------------	--------------------------------------------------------------------------------------------------------	----------------------------------------------------------------------------------------------------------	-------------------------------------------------------------------------------------------------------------



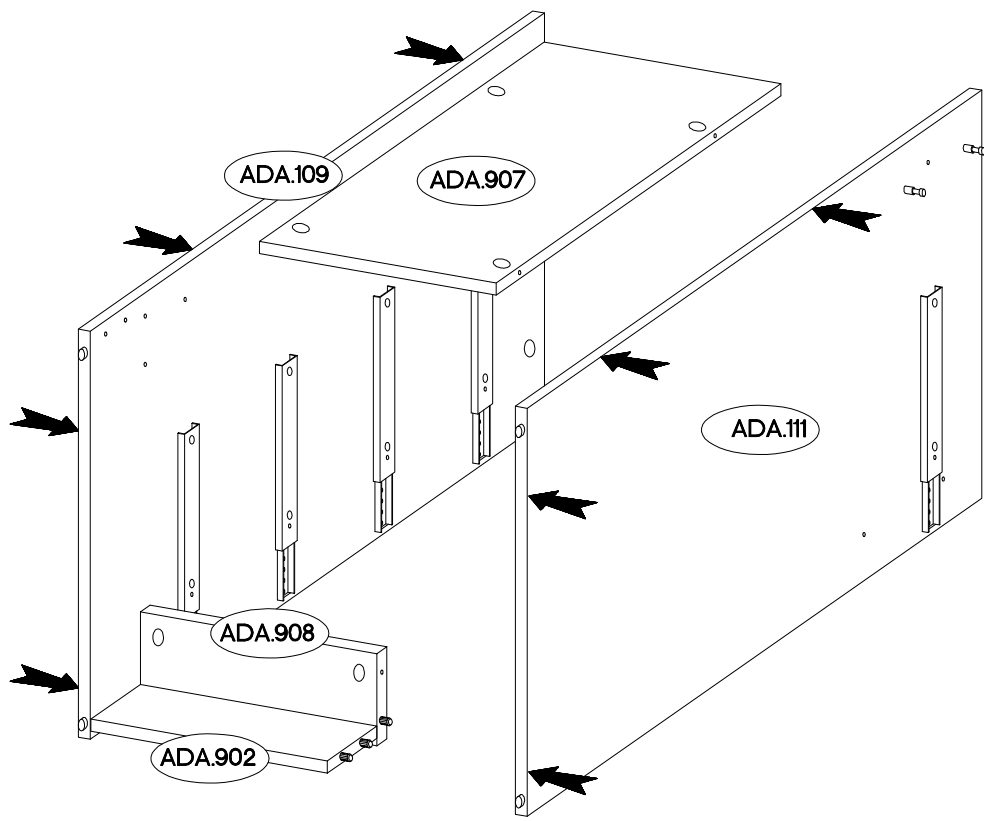
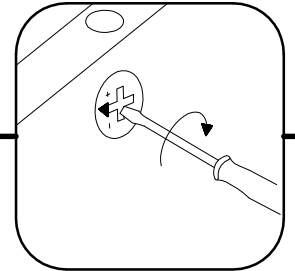
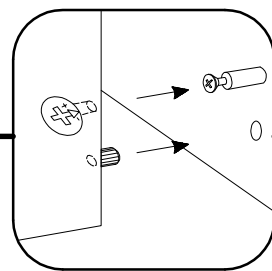
$\varnothing 8 \times 30 \text{mm}$  A 6	$\varnothing 15 / 12 \text{mm}$  C 10	L=20/8mm  D9 6
-----------------------------------------------------------------------------------------------------------------------------------	--------------------------------------------------------------------------------------------------------------------------------	---------------------------------------------------------------------------------------------------------



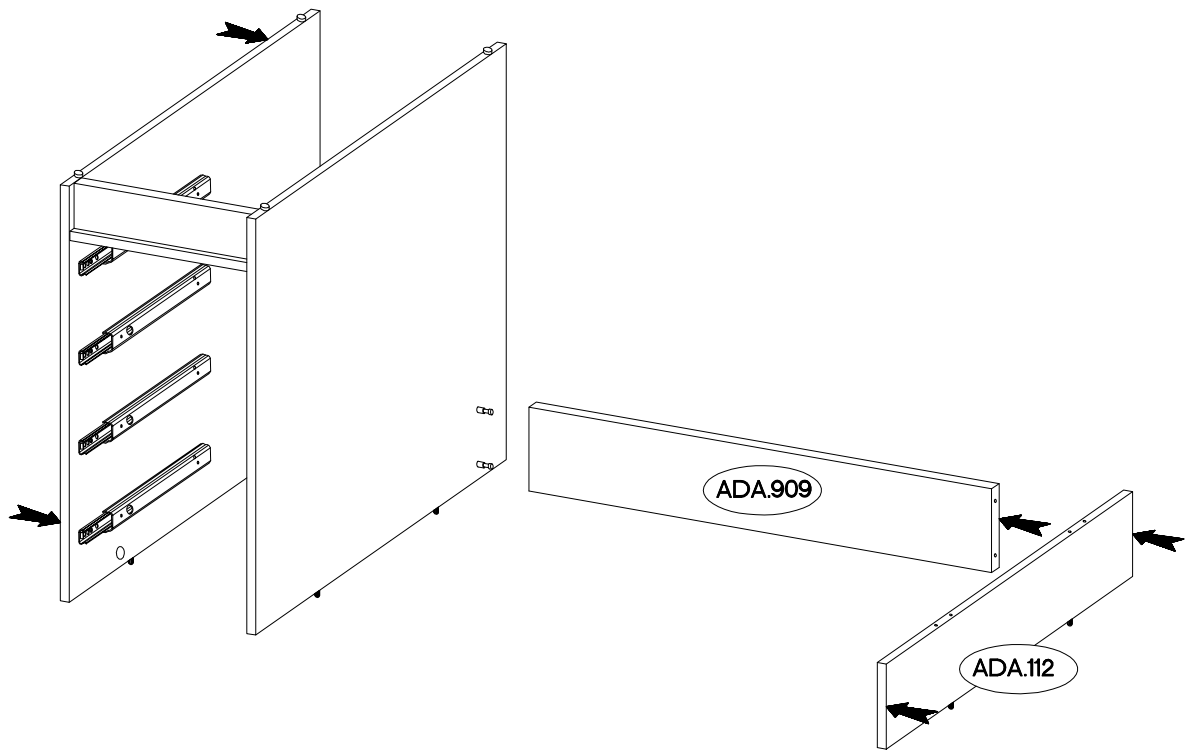
32



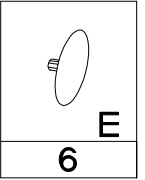
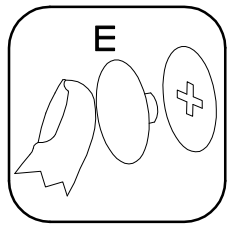
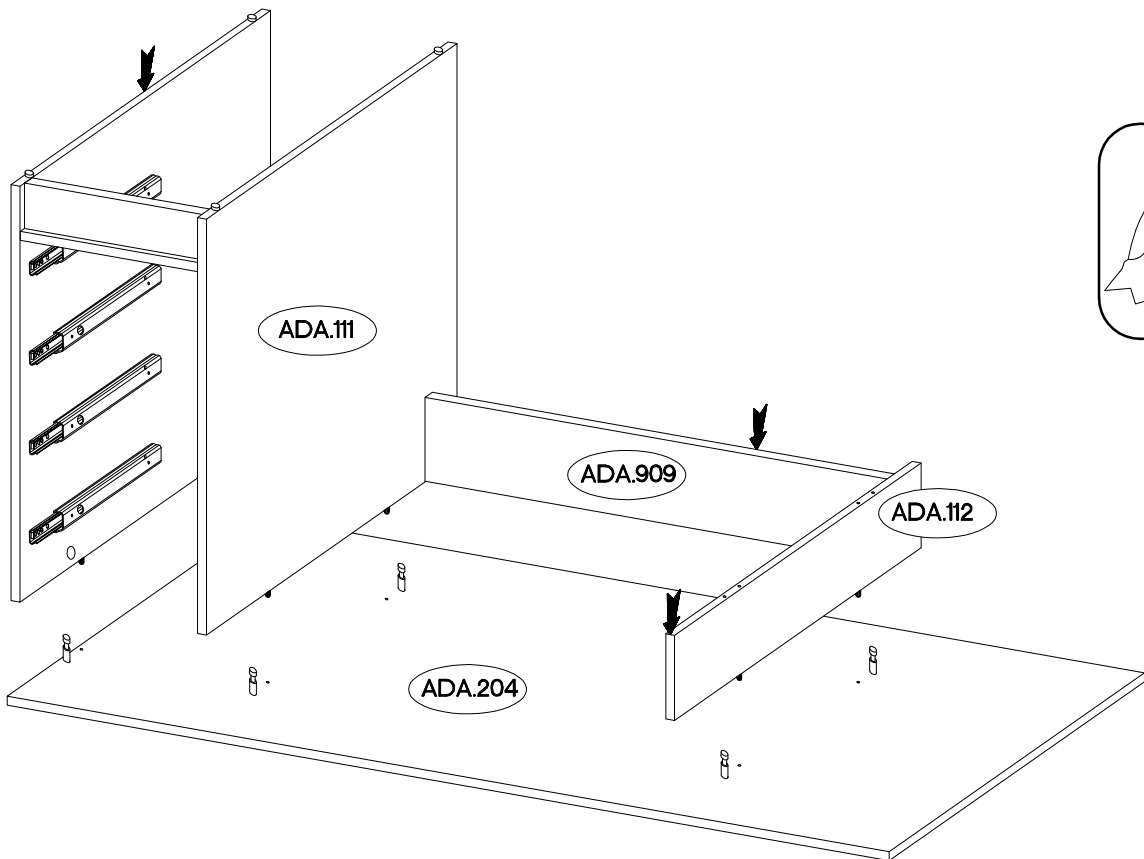
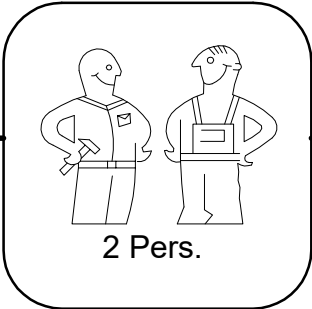
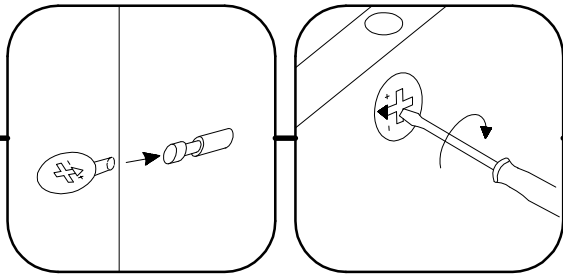
33

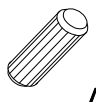



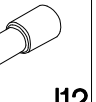


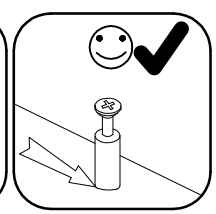
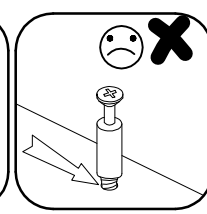
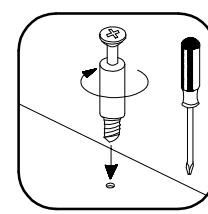
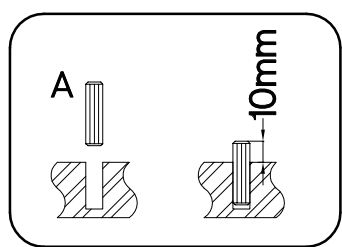
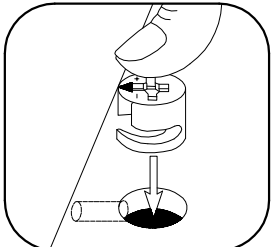
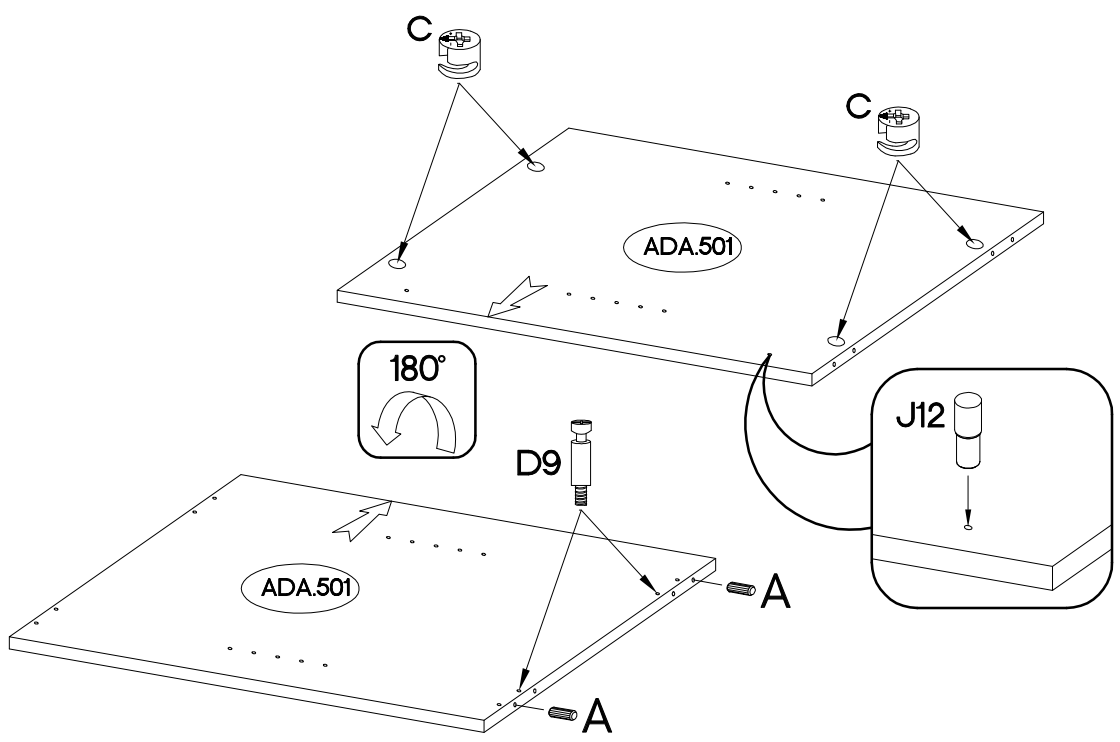
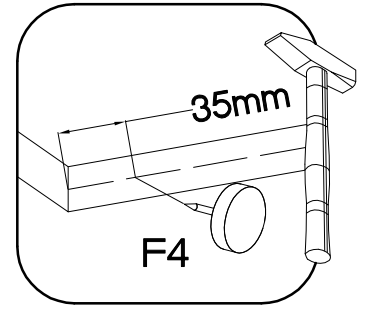
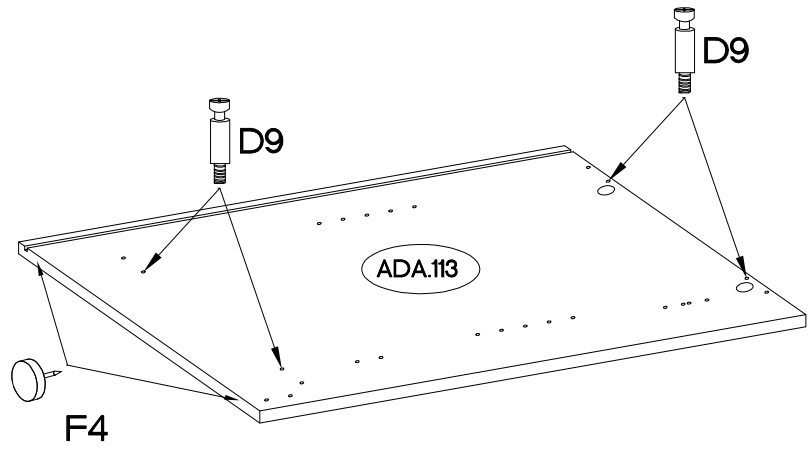
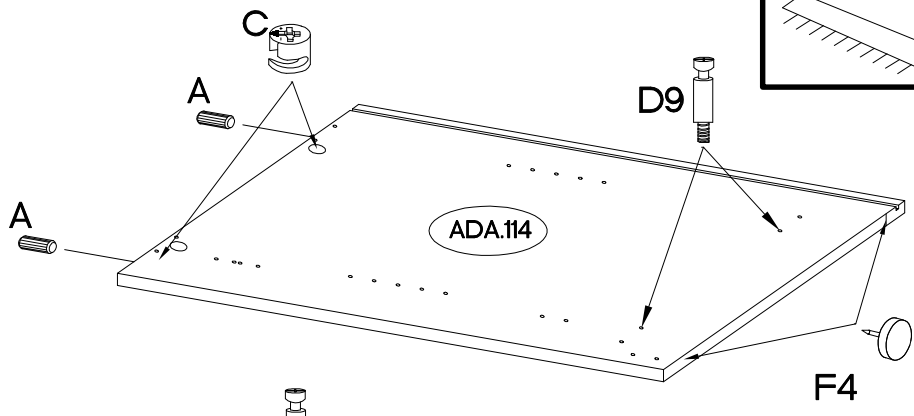
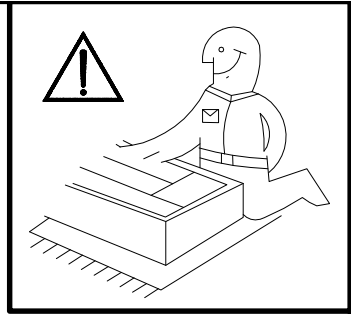
34




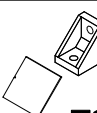



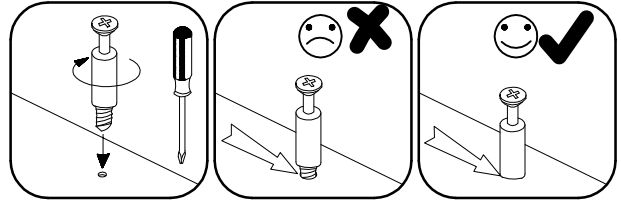
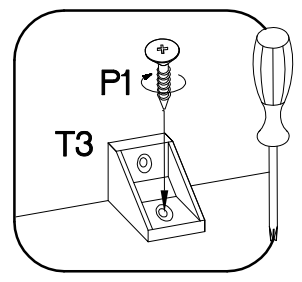
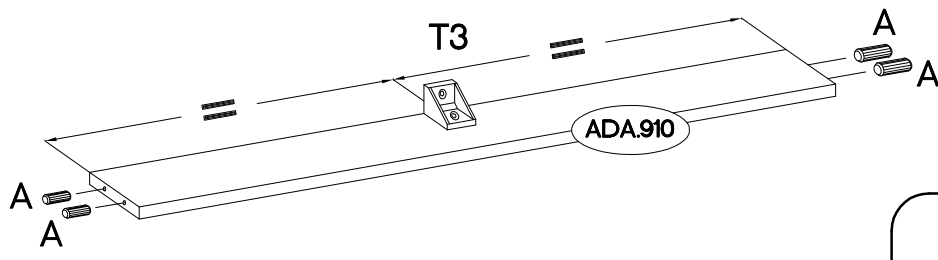
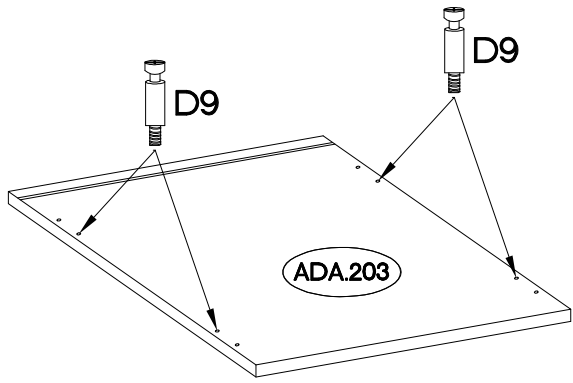
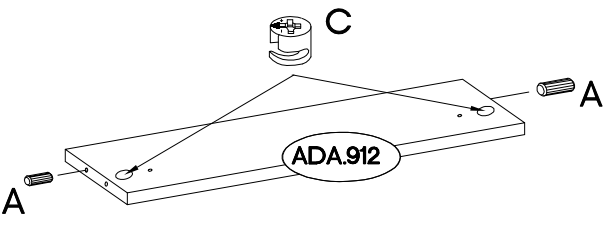
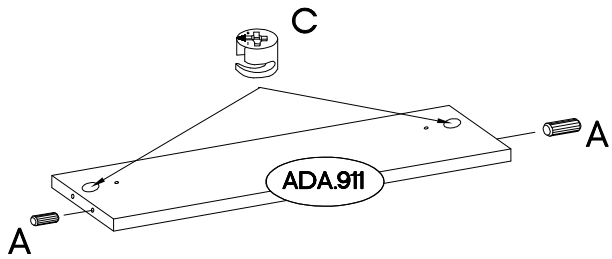
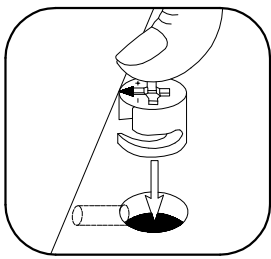
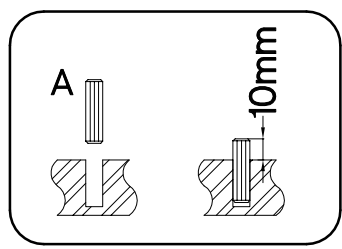
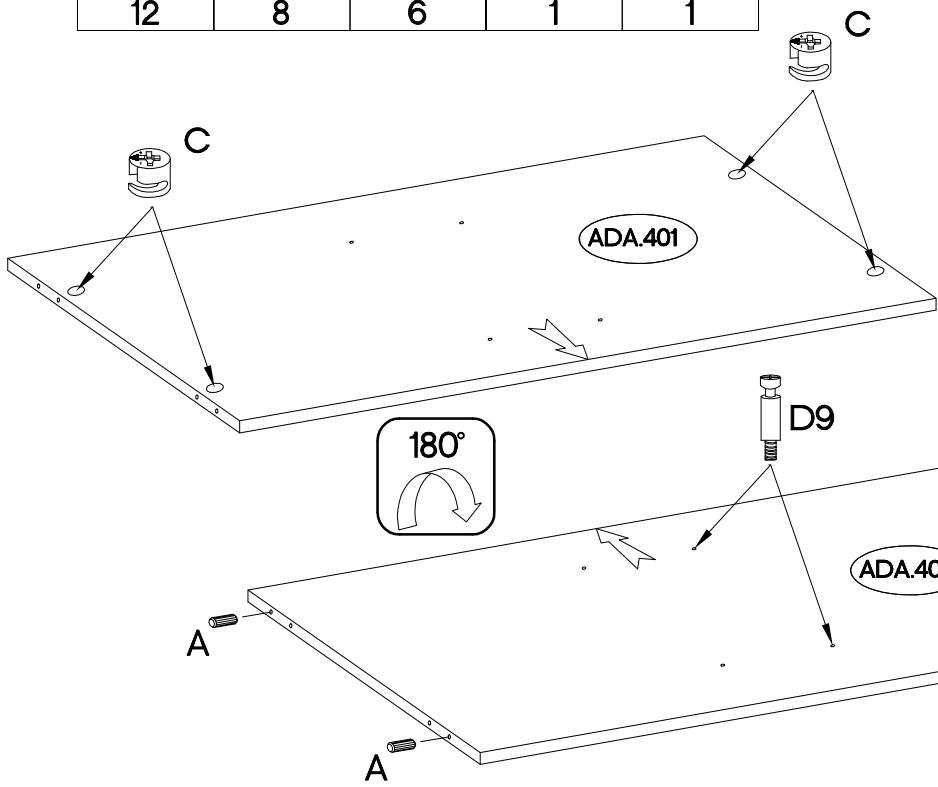
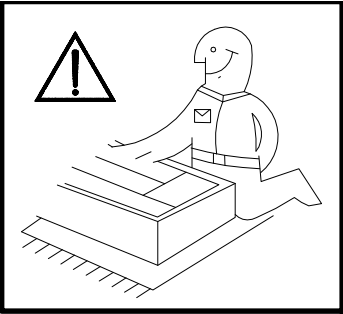
35

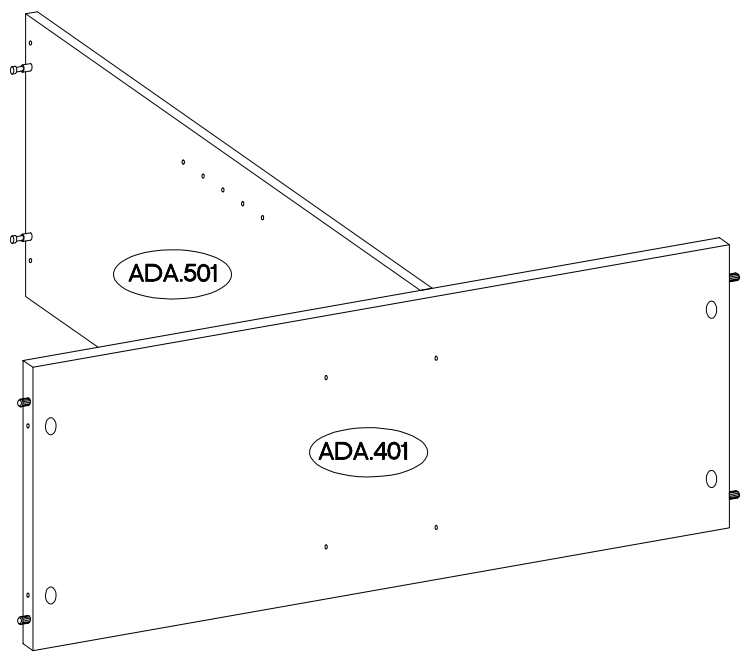
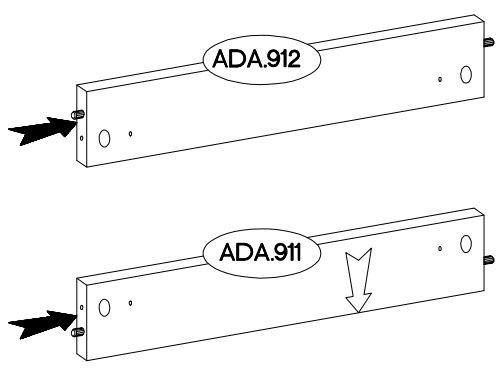
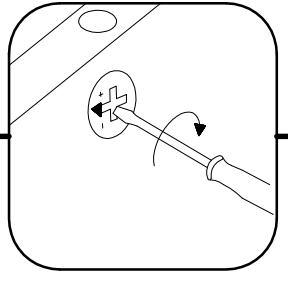
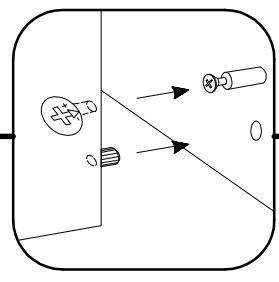
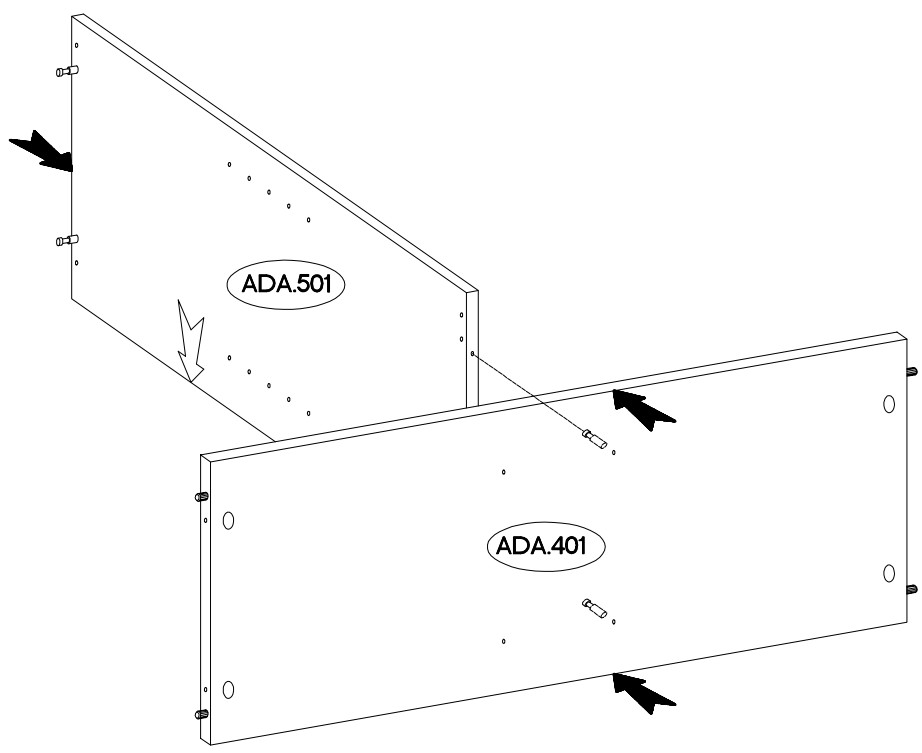
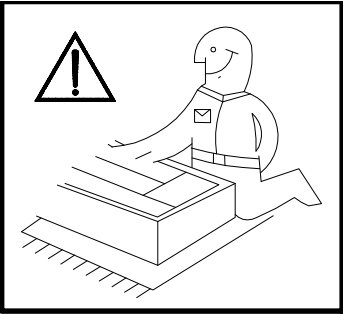


∅8x30mm	∅15/12mm	L=20/8mm	∅15x5mm	
				
A	C	D9	F4	J12
4	6	8	4	1

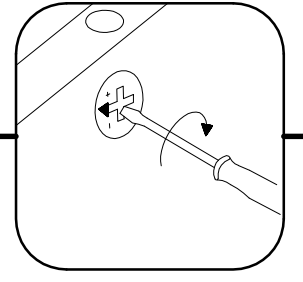
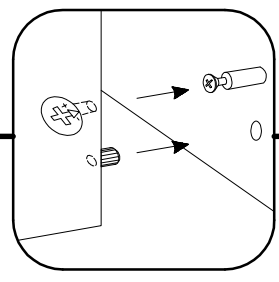
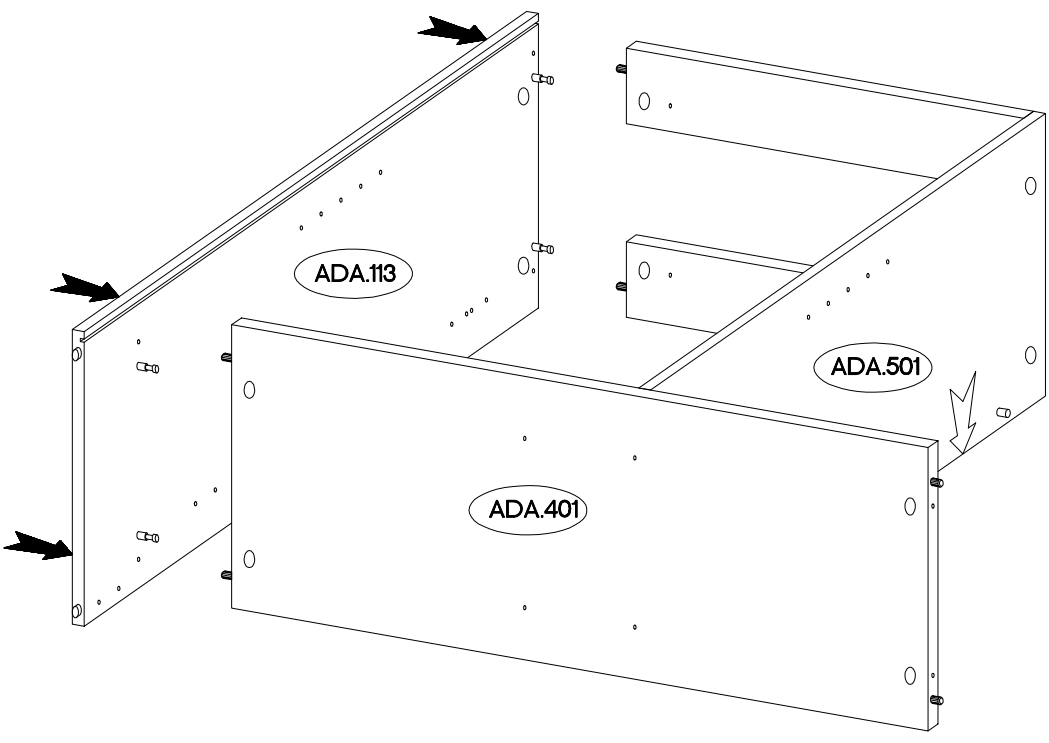
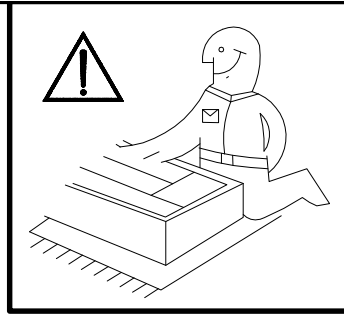


$\varnothing 8 \times 30 \text{mm}$  A	$\varnothing 15 / 12 \text{mm}$  C	L=20/8mm  D9	 T3	$\varnothing 4.0 \times 16 \text{mm}$  P1
12	8	6	1	1

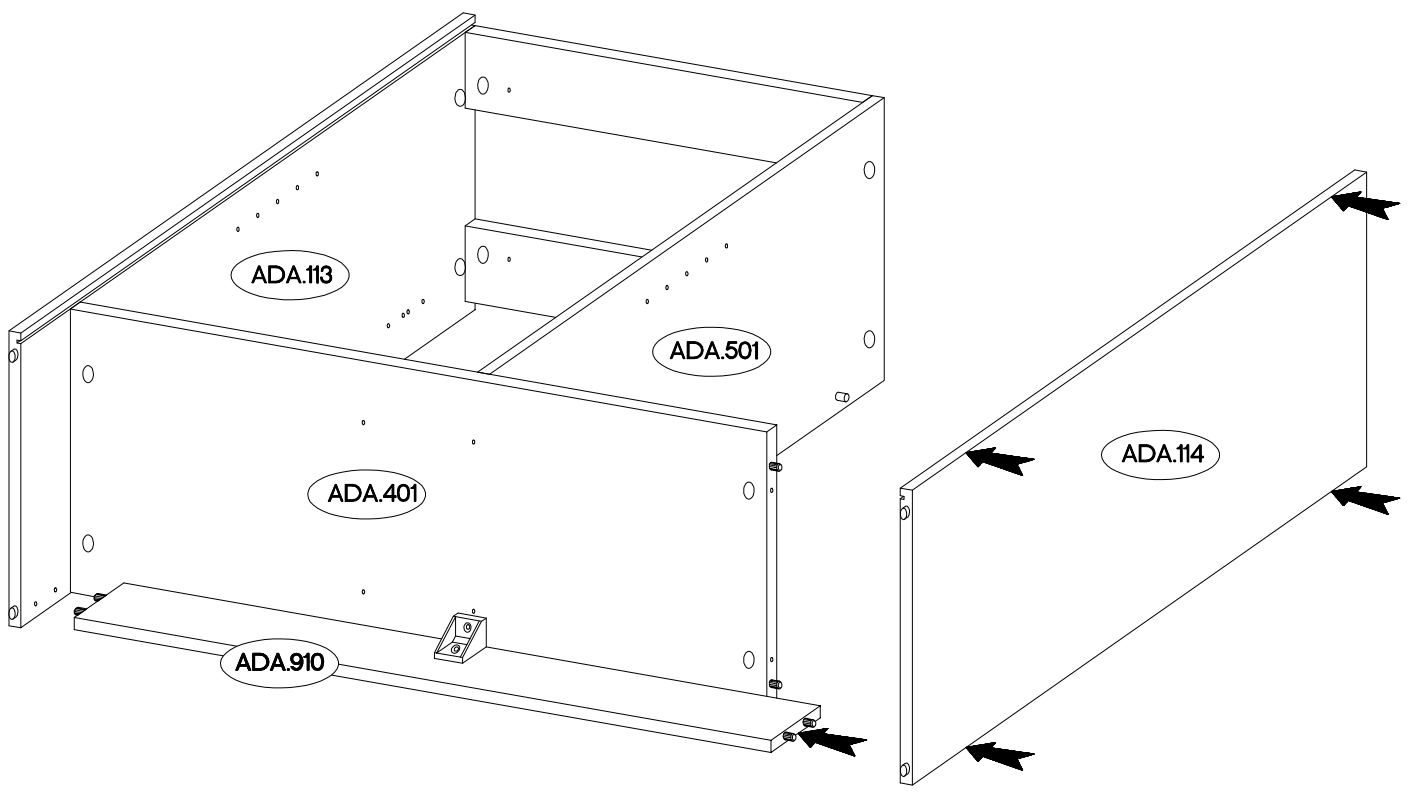




40



41

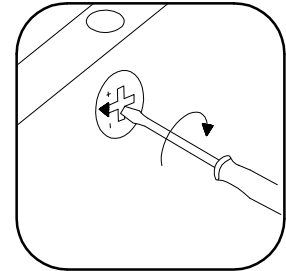
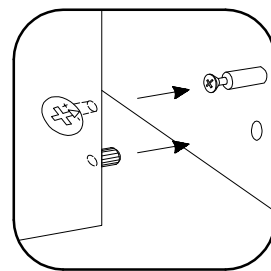
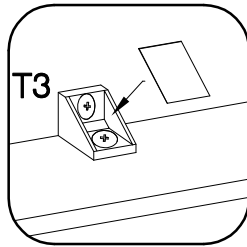
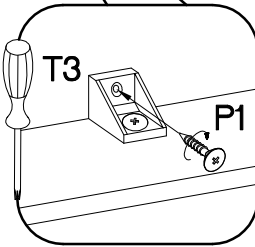
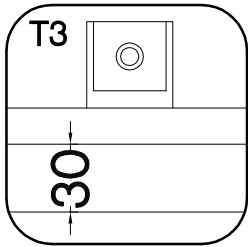
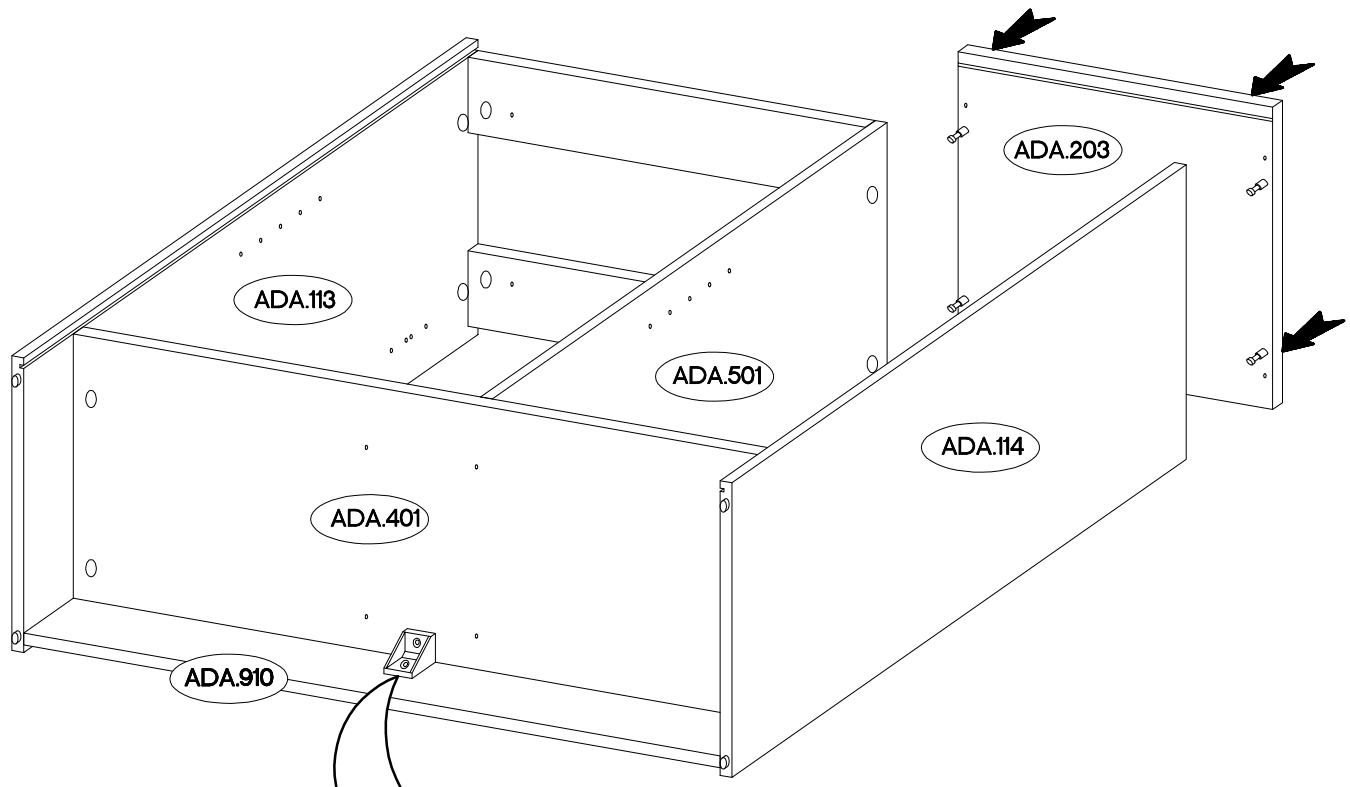
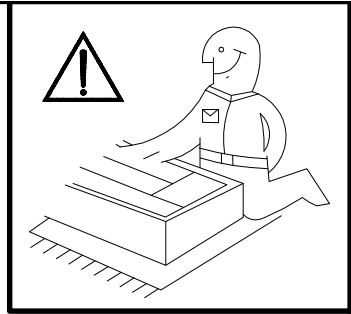



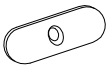
4.0x16mm

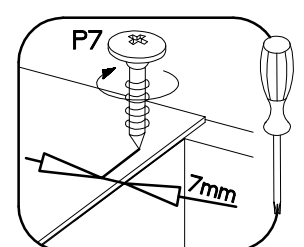
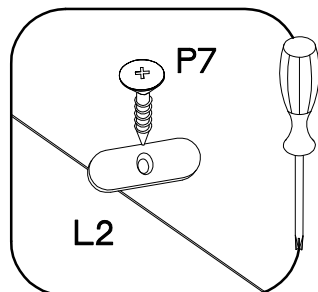
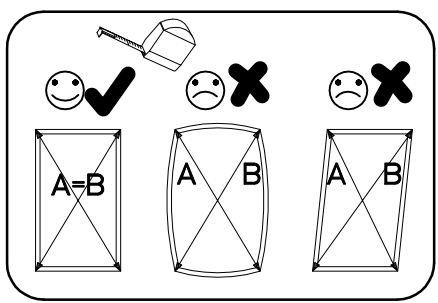
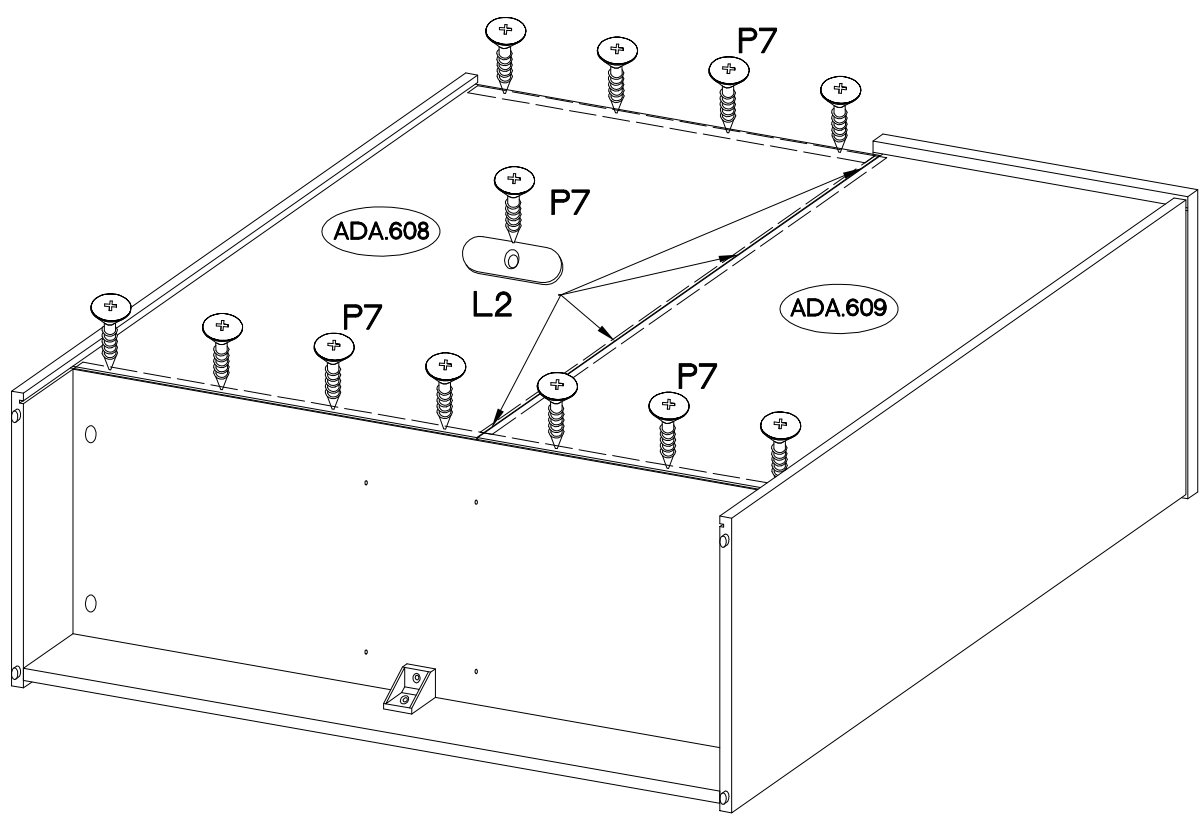
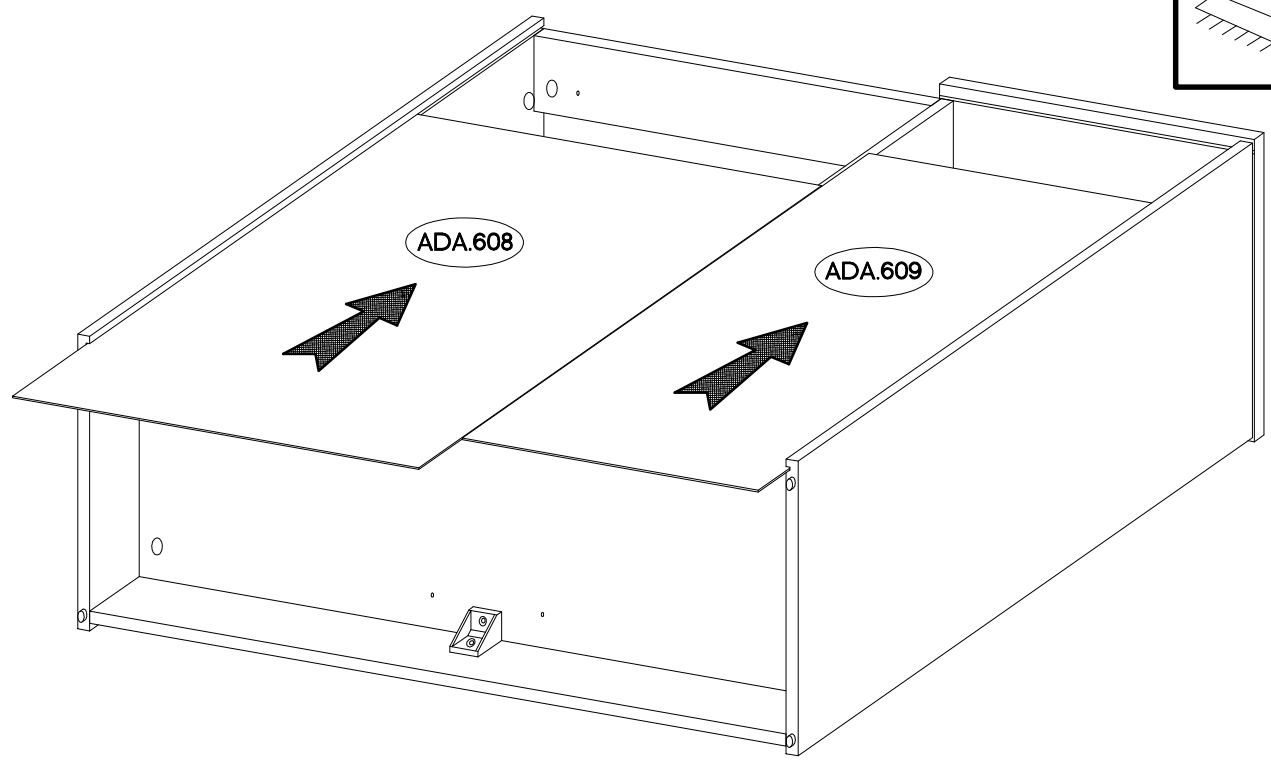
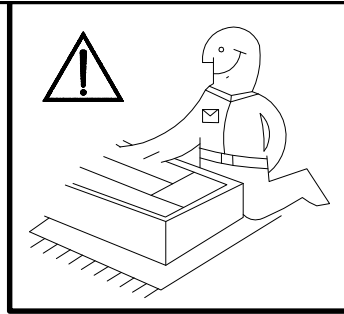


P1

1



±3.0x20mm  P7 15	 L2 4
-----------------------------------------------------------------------------------------------------------	---------------------------------------------------------------------------------------------

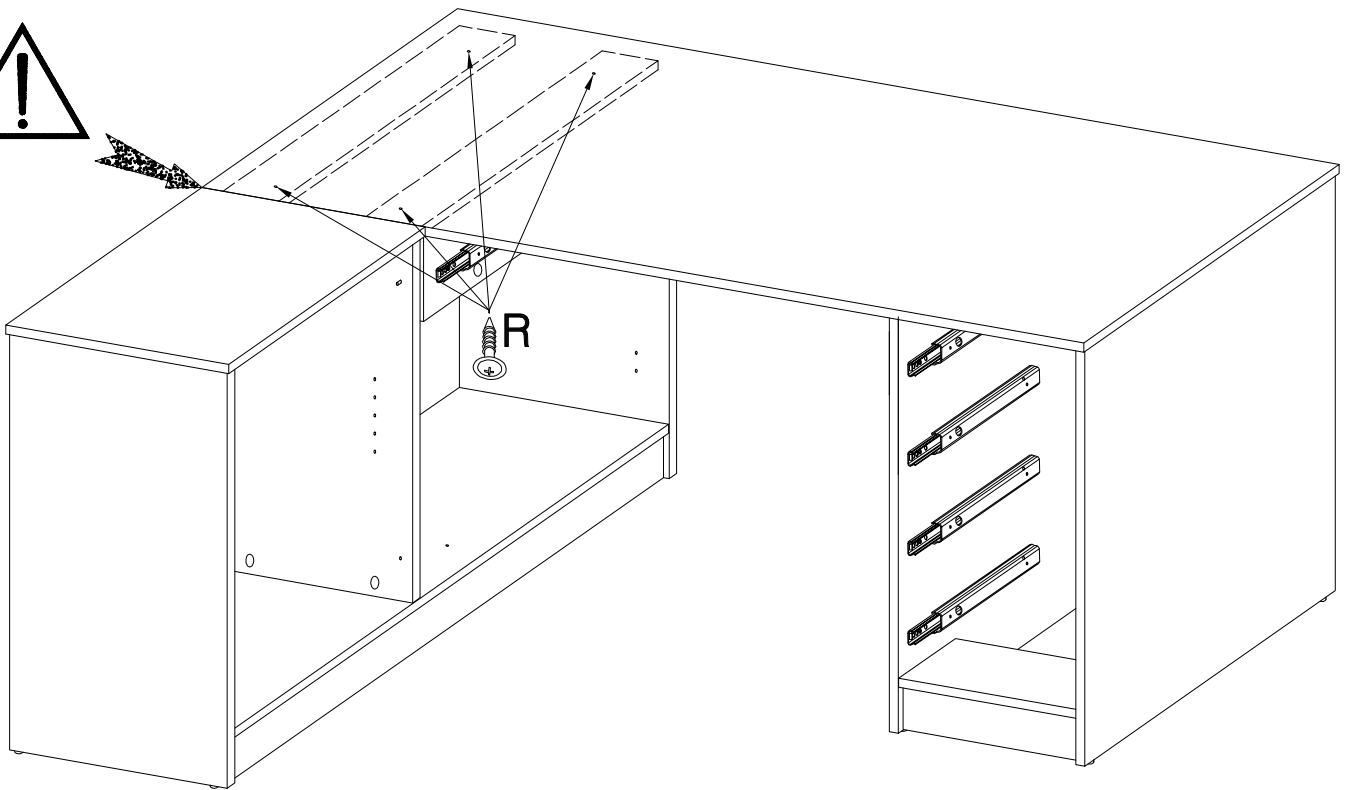
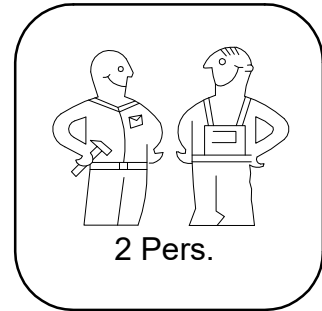
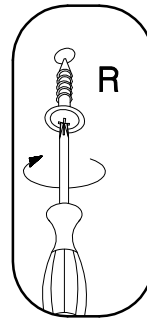
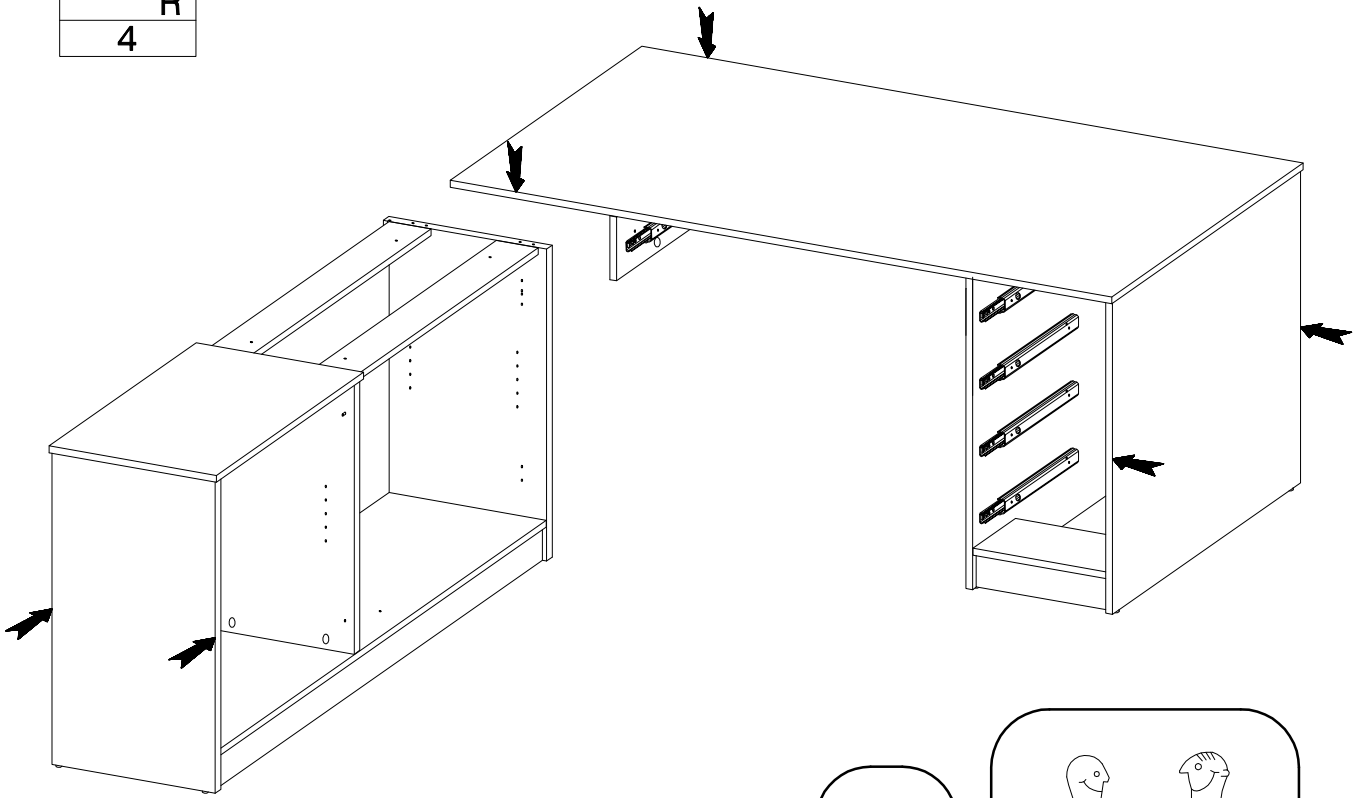



4.0x25mm

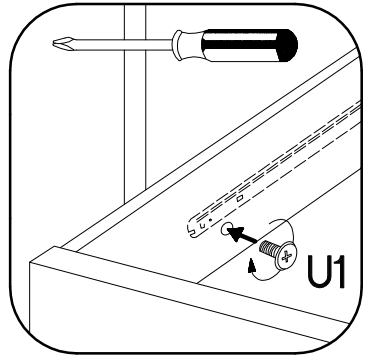
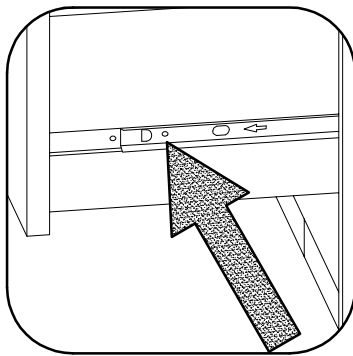
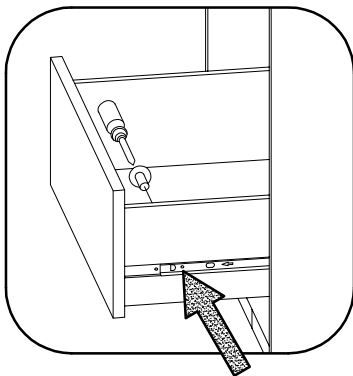
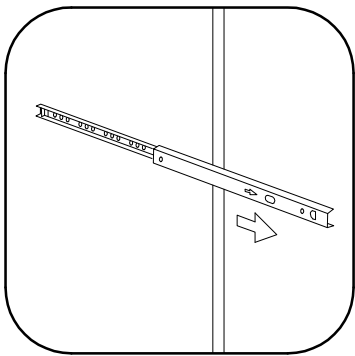
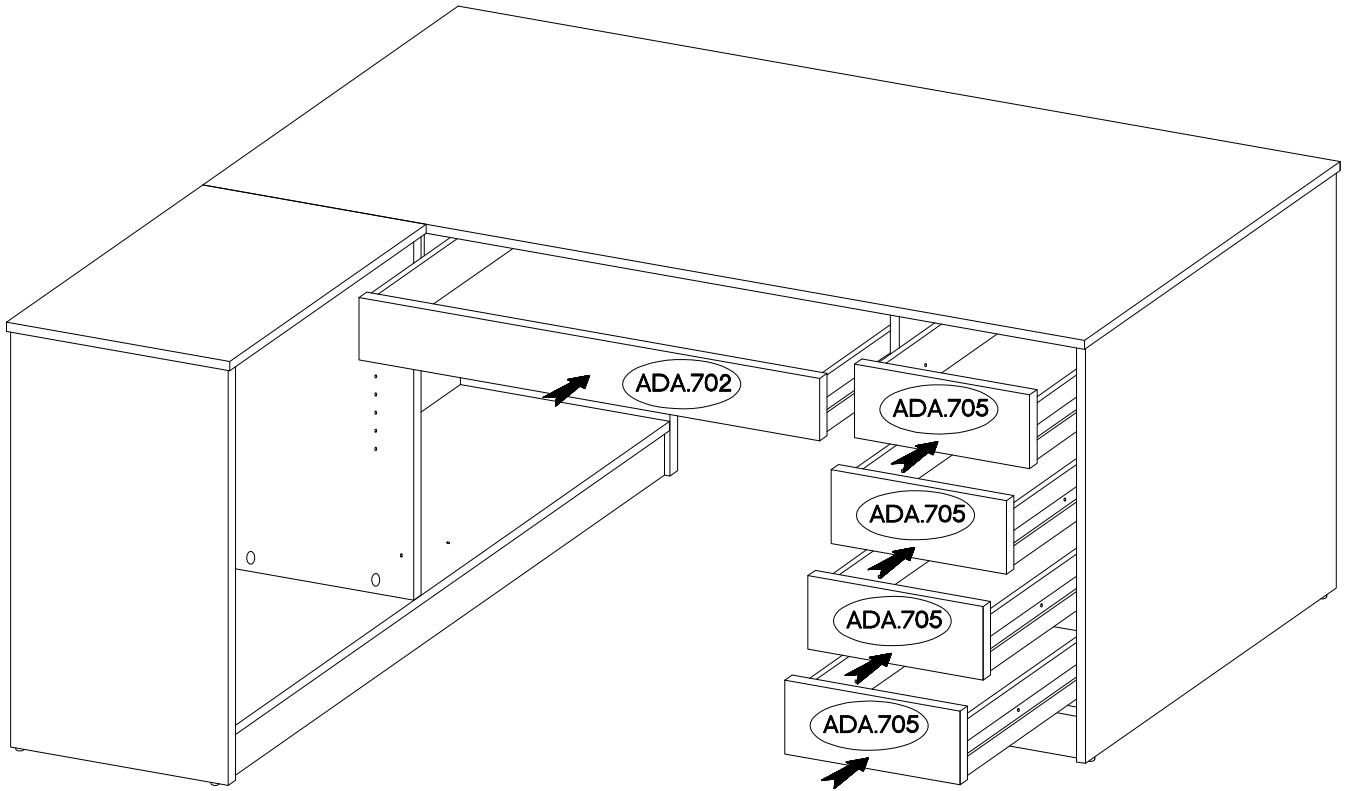


R

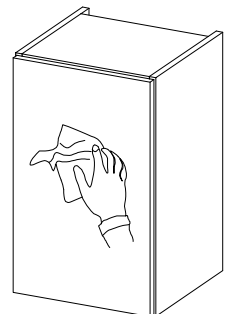
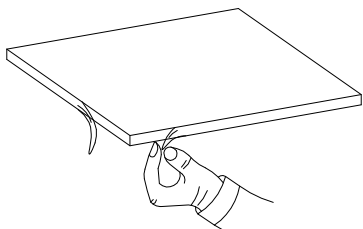
4



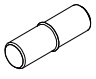

M4x9mm

U1
10

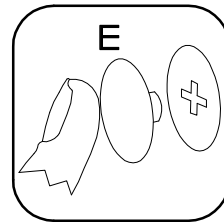
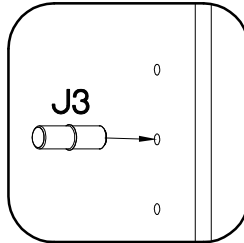
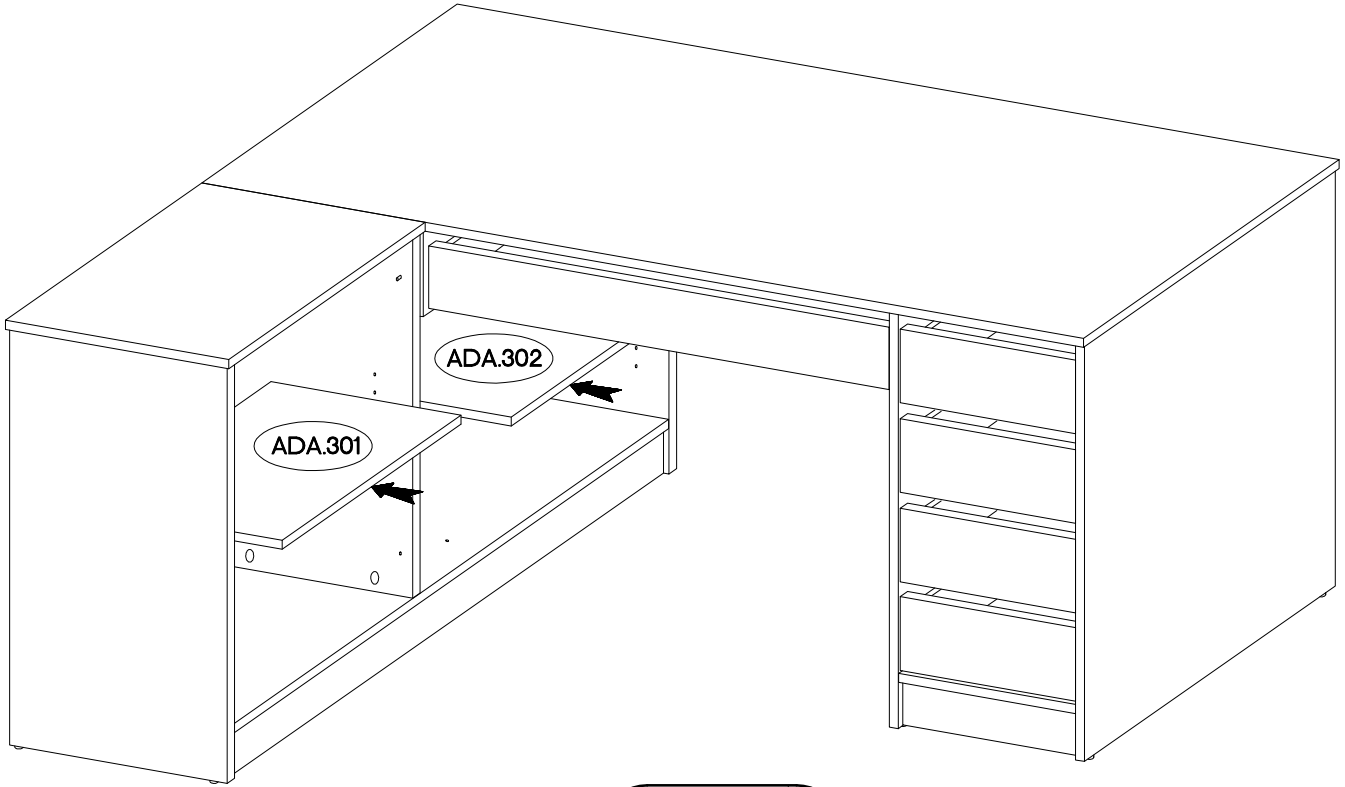


VARIANT HIGH GLOSS





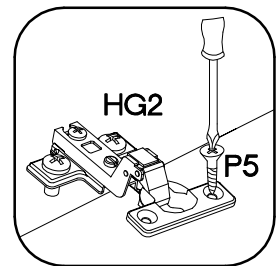
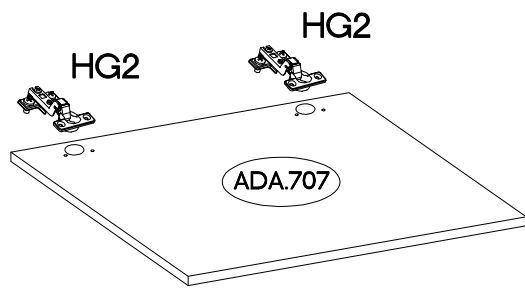
46


+5/16mm		
	J3	E
8		6



47

+35/16mm	+3.5x13mm
	
HG2	P5
2	4



5

E2
2

