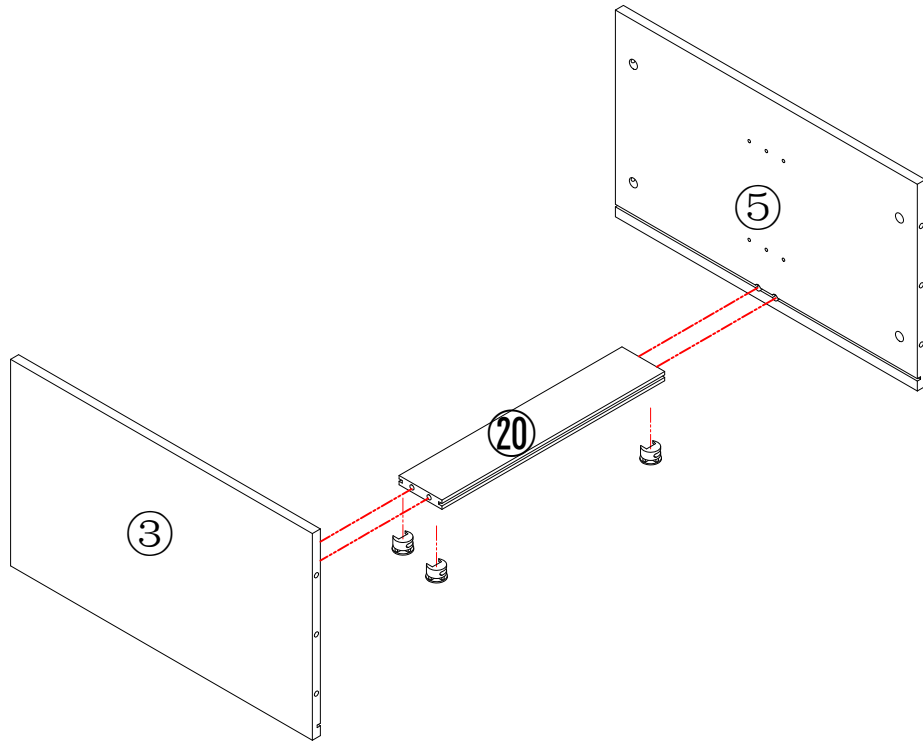
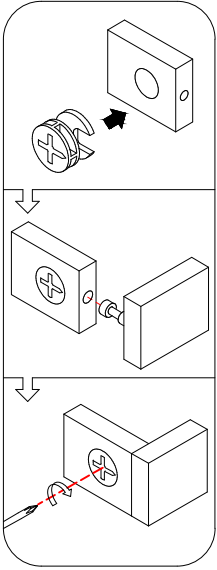
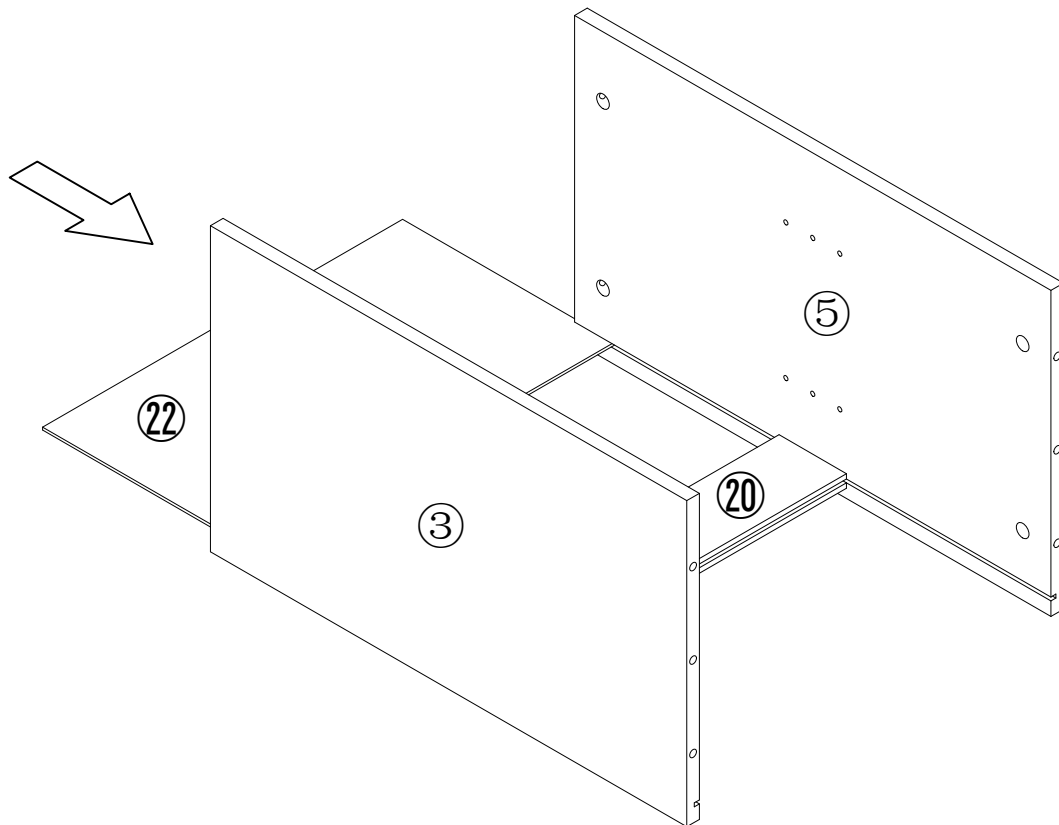


STEP 2

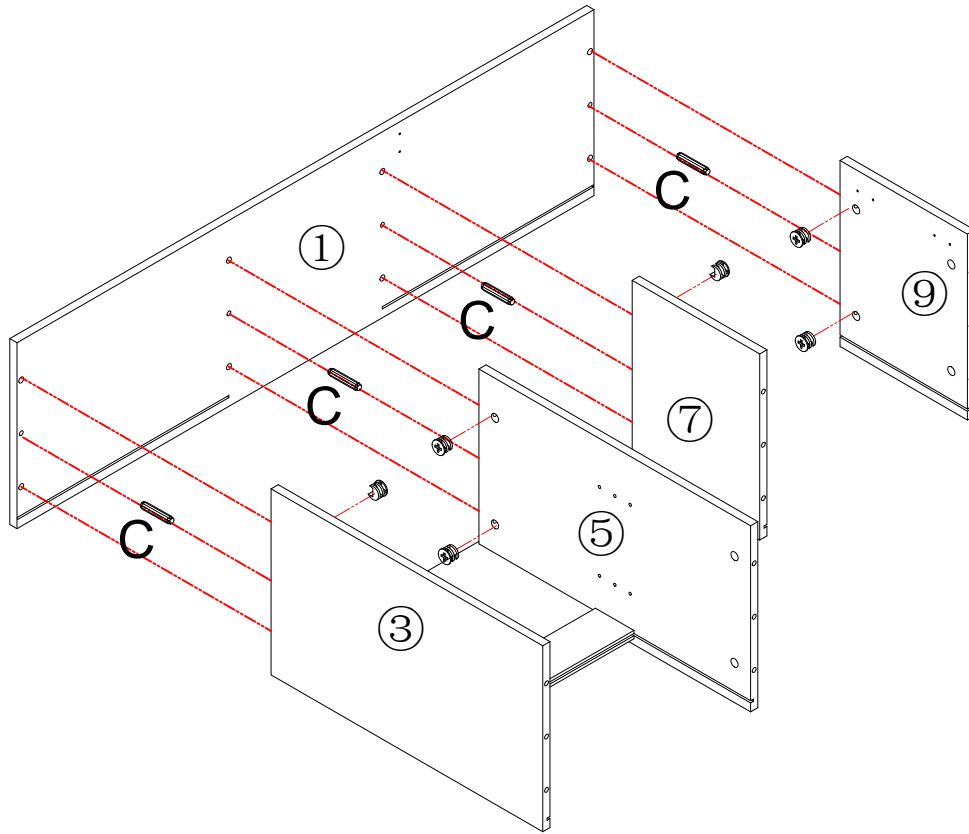
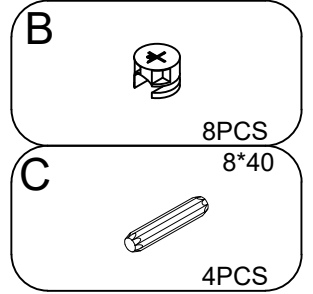
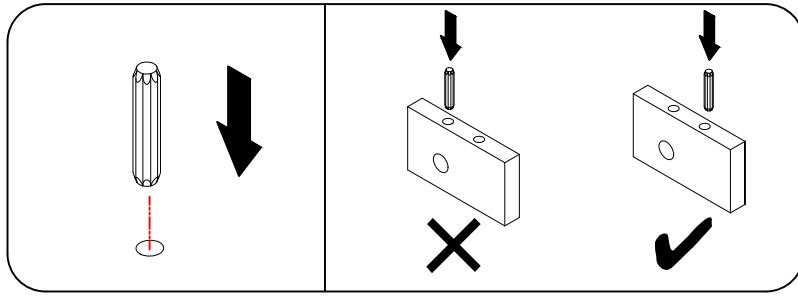
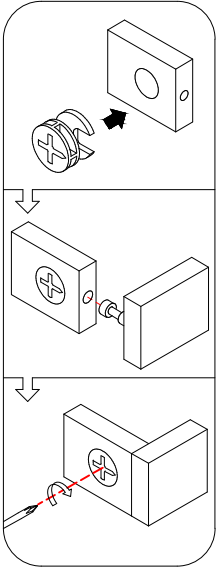
B  4PCS



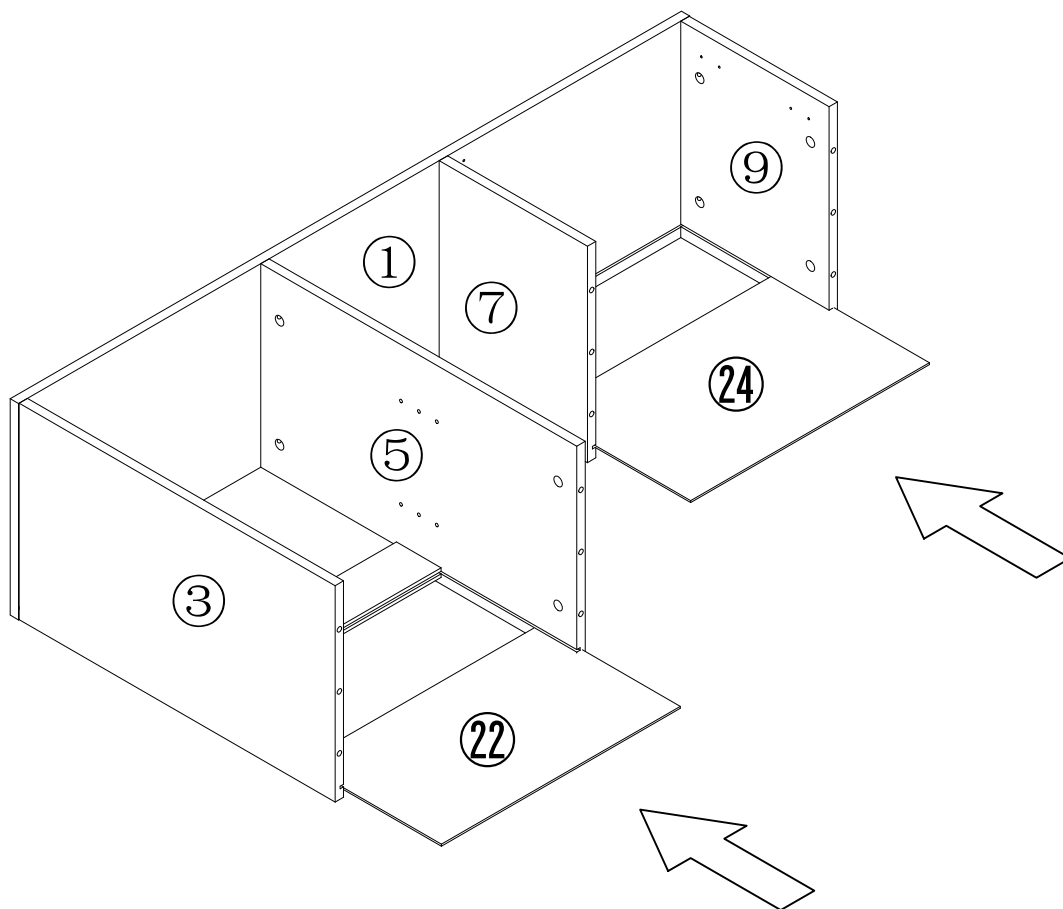
STEP 3



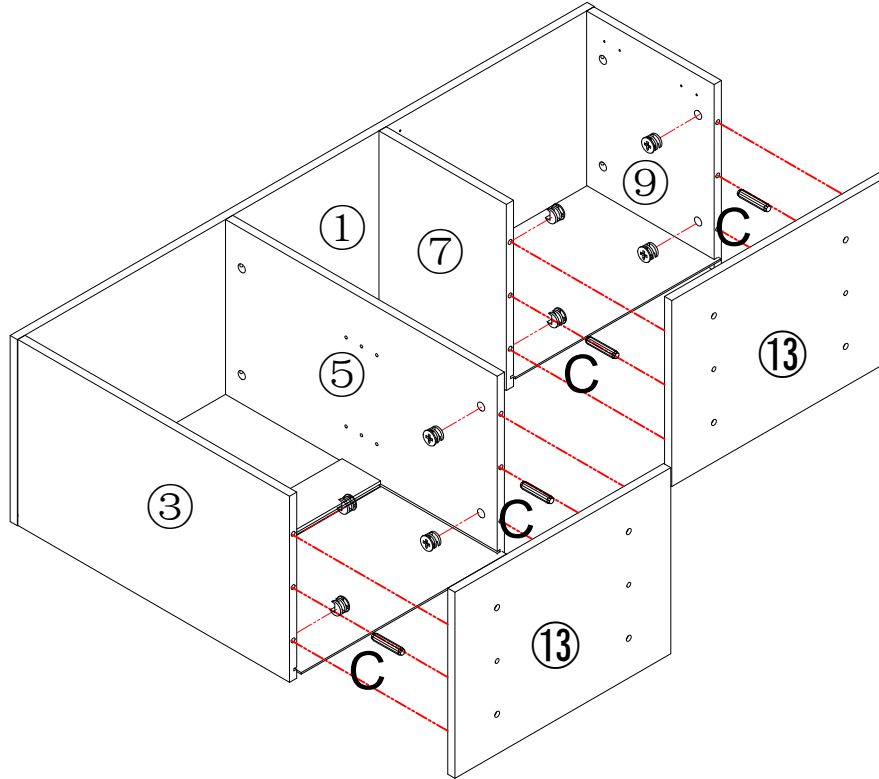
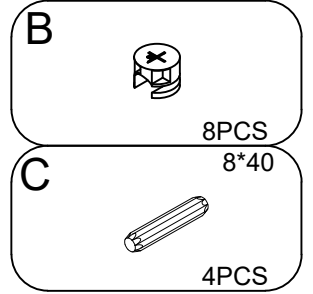
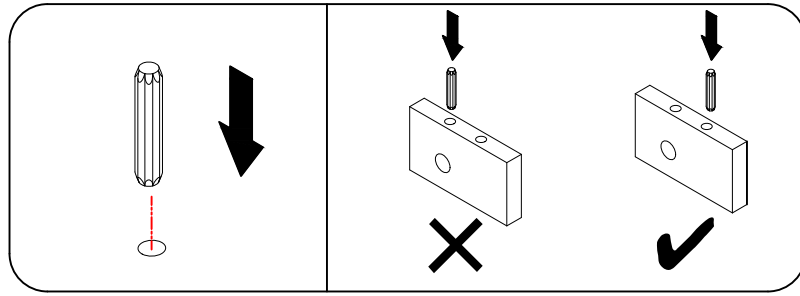
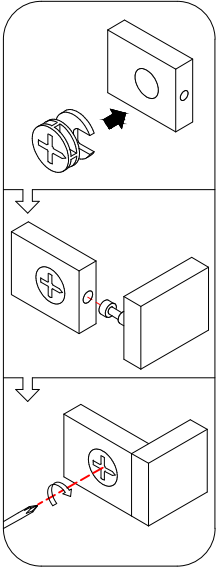
STEP 4



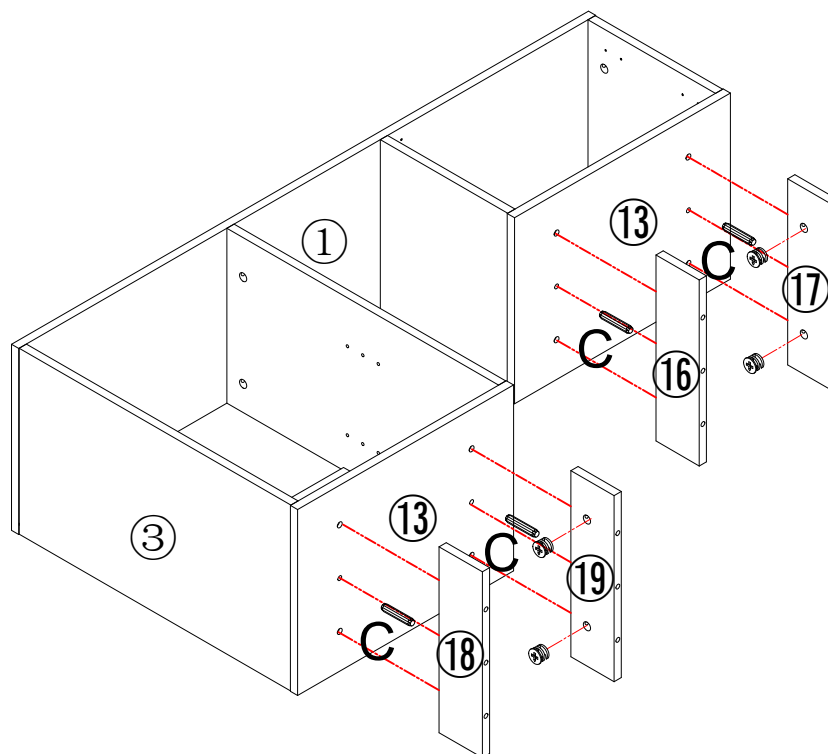
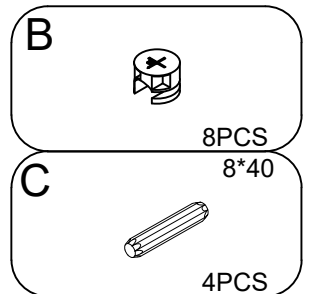
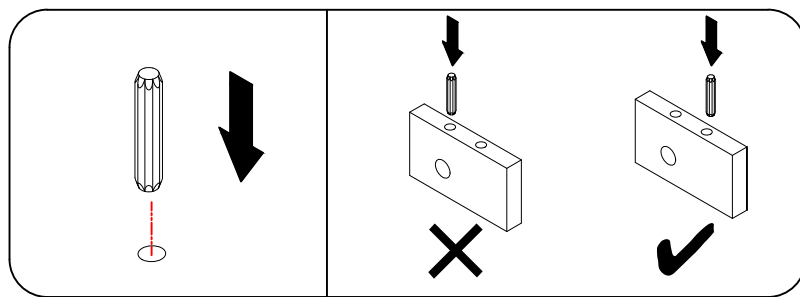
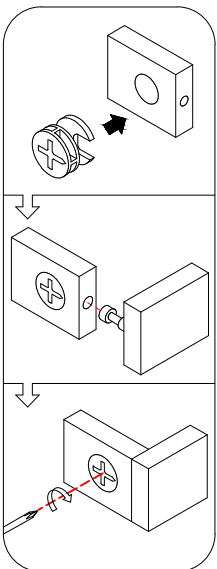
STEP 5



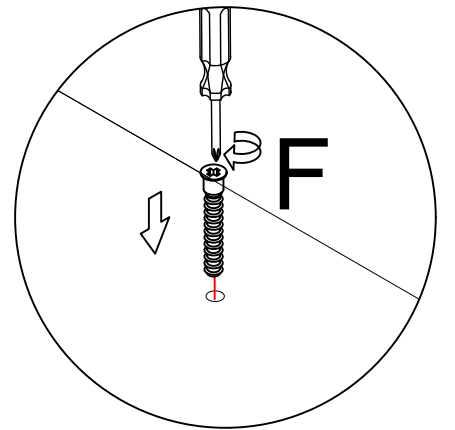
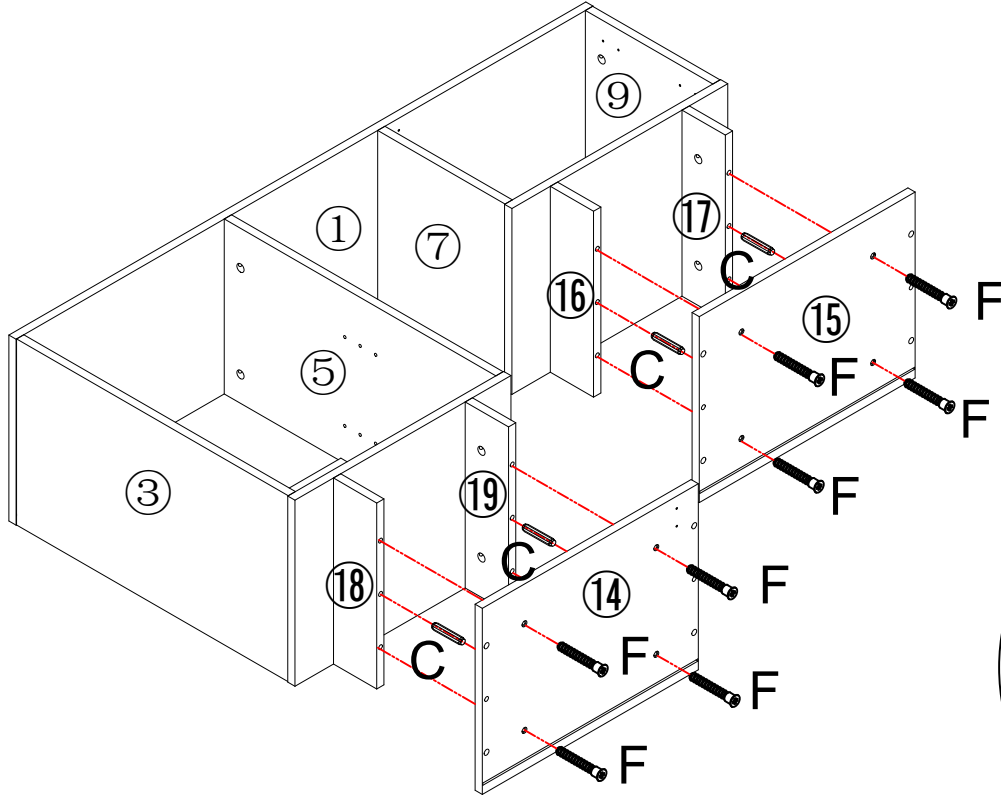
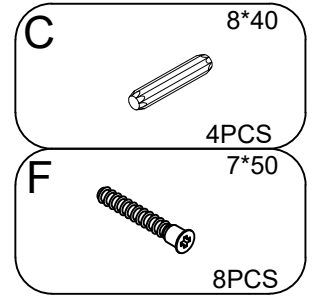
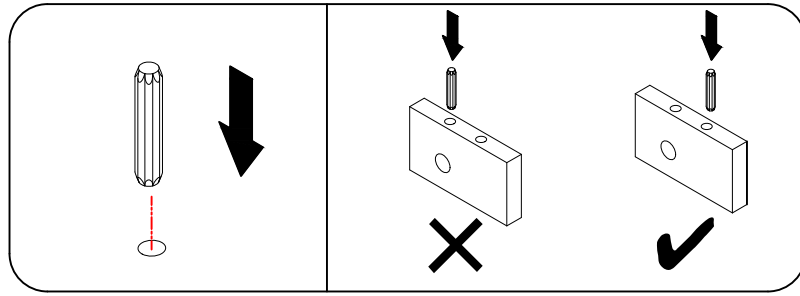
STEP 6



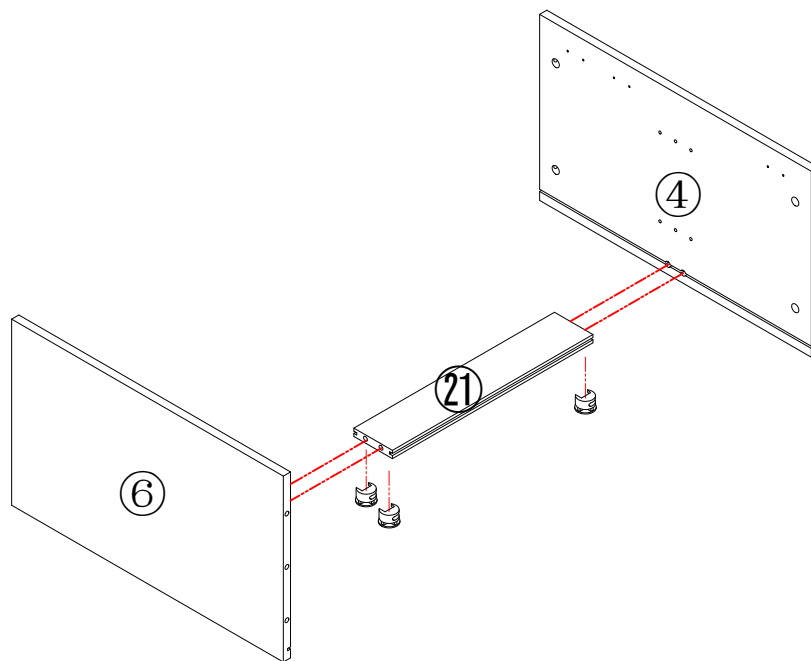
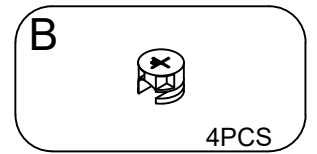
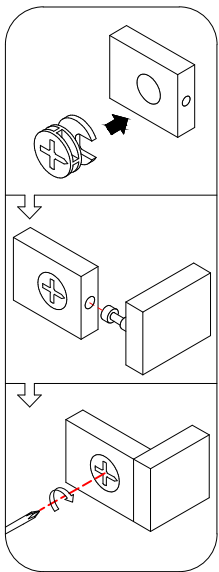
STEP 7



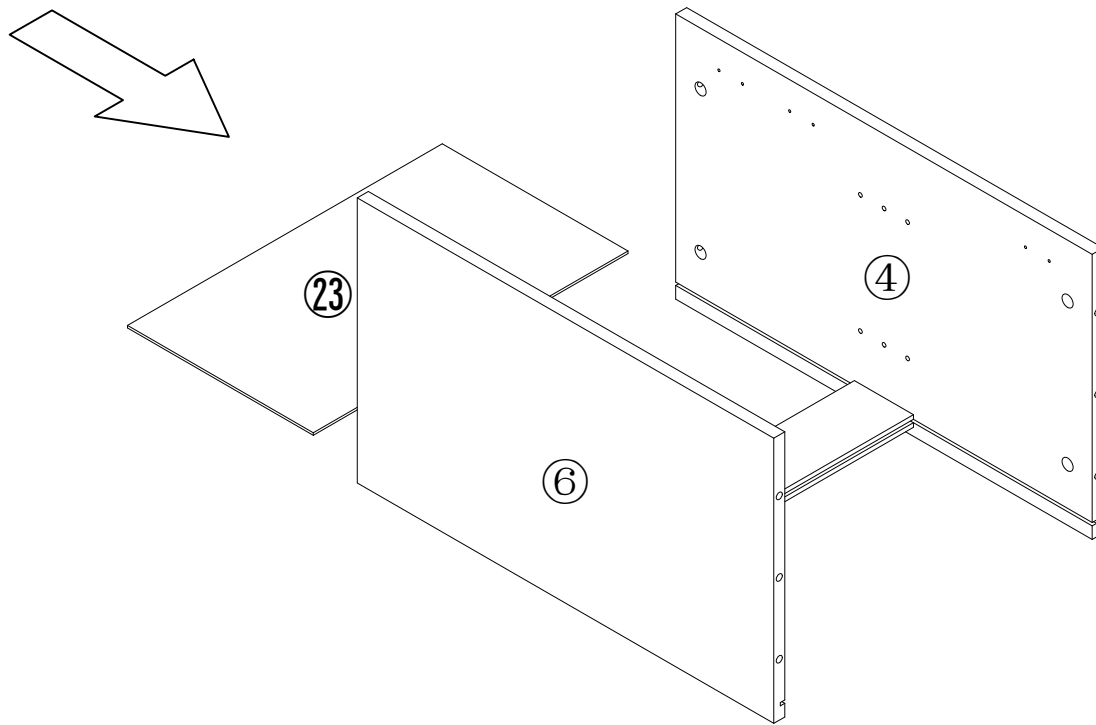
STEP 8



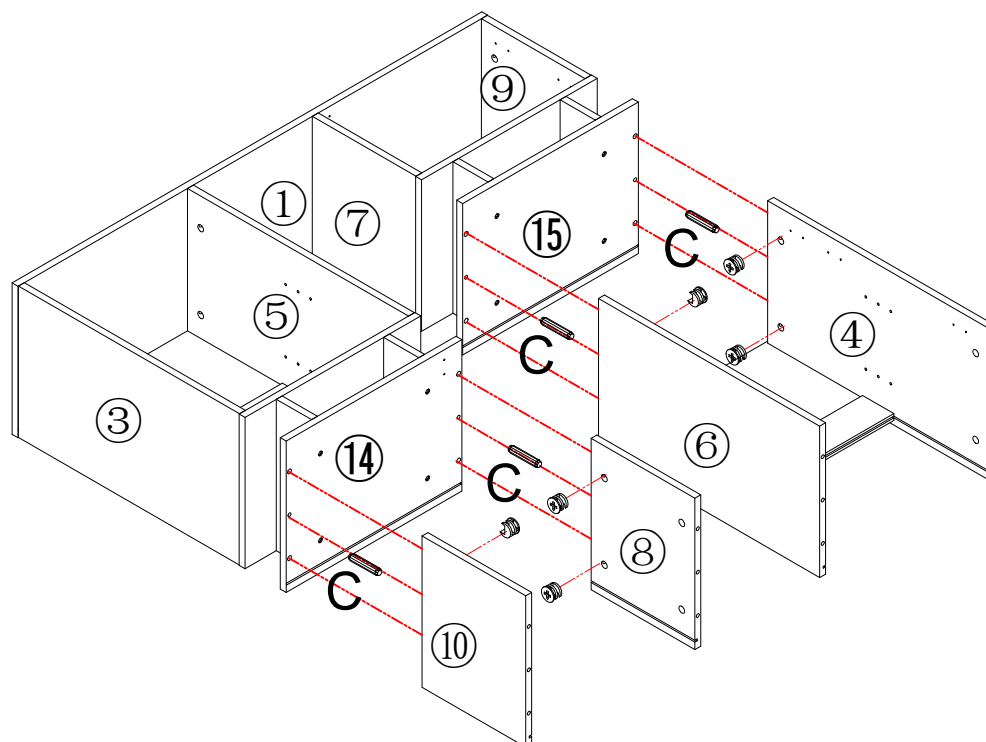
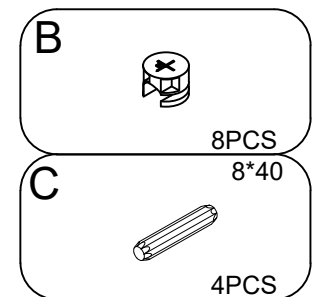
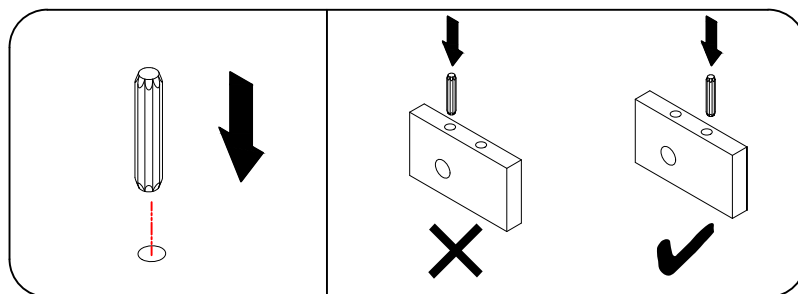
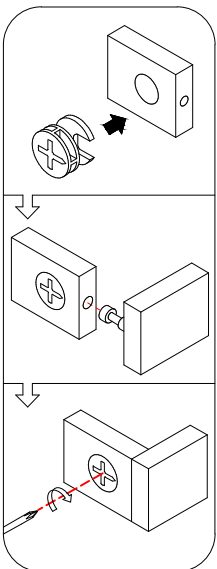
STEP 9



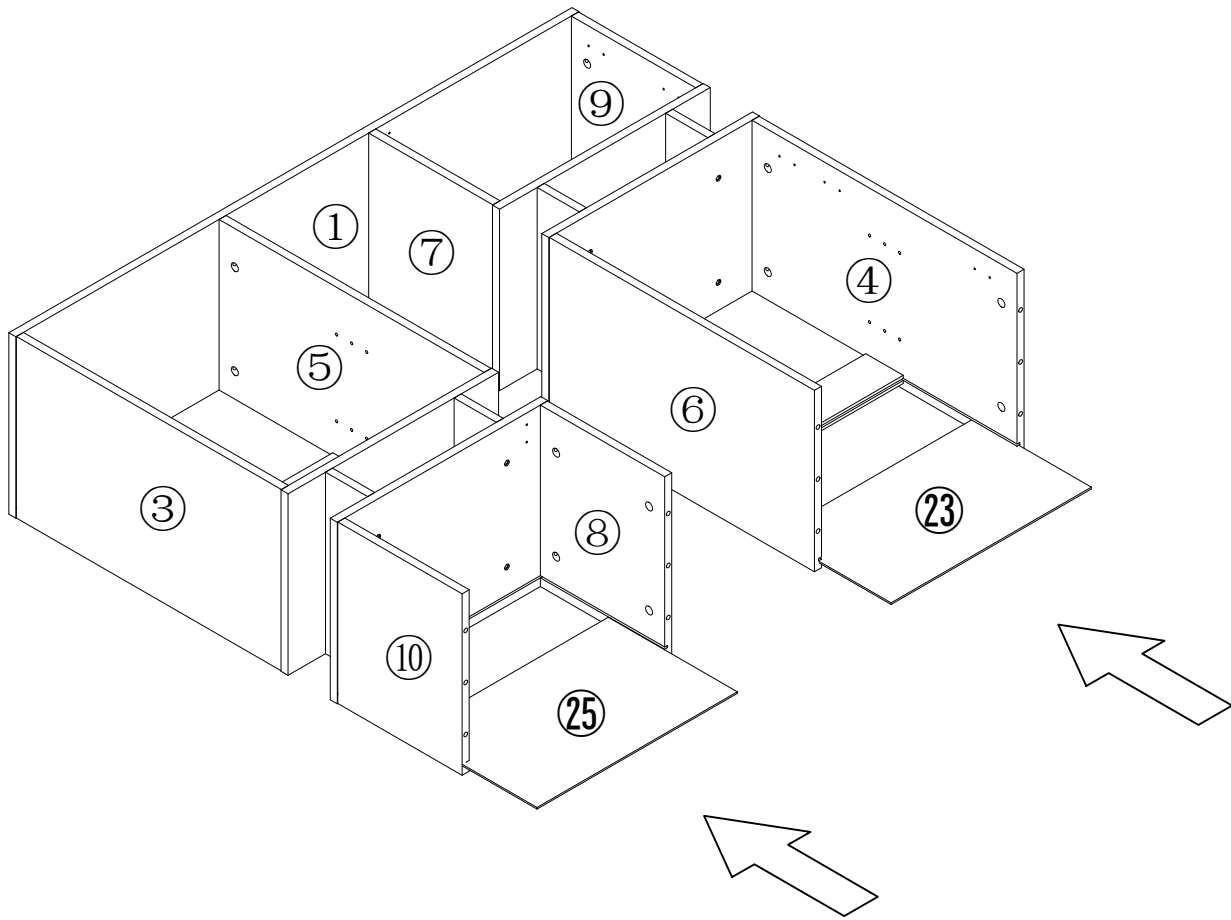
STEP 10



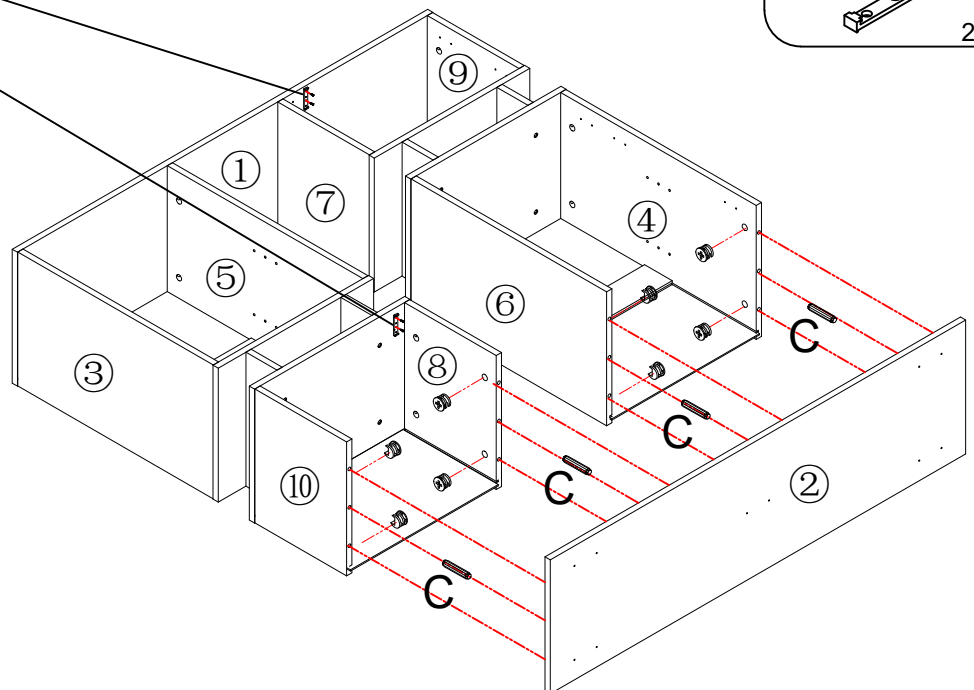
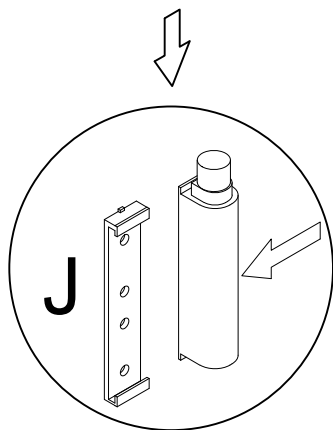
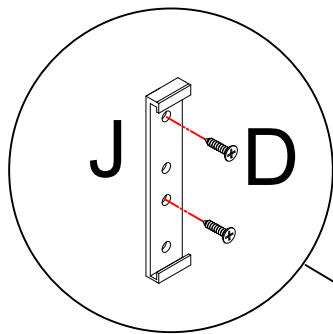
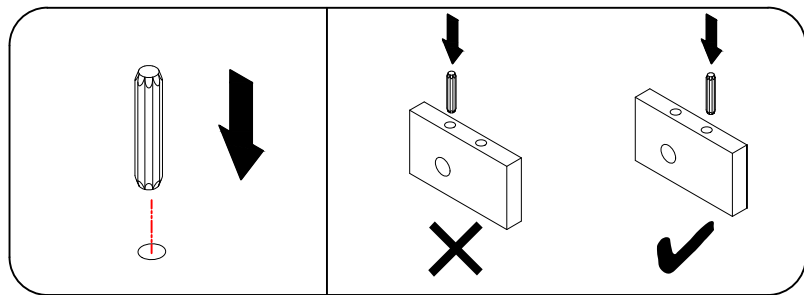
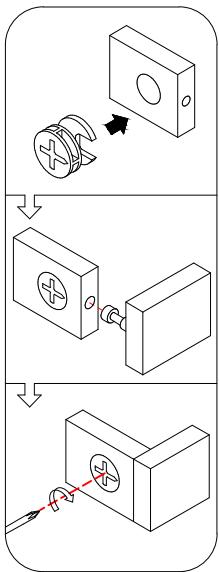
STEP 11


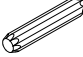
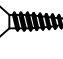
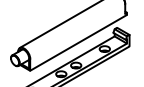


STEP 12




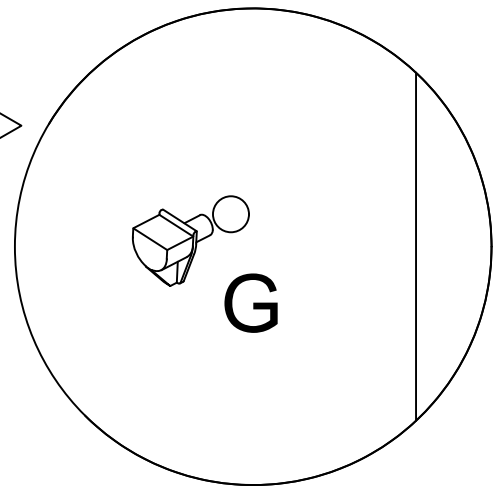
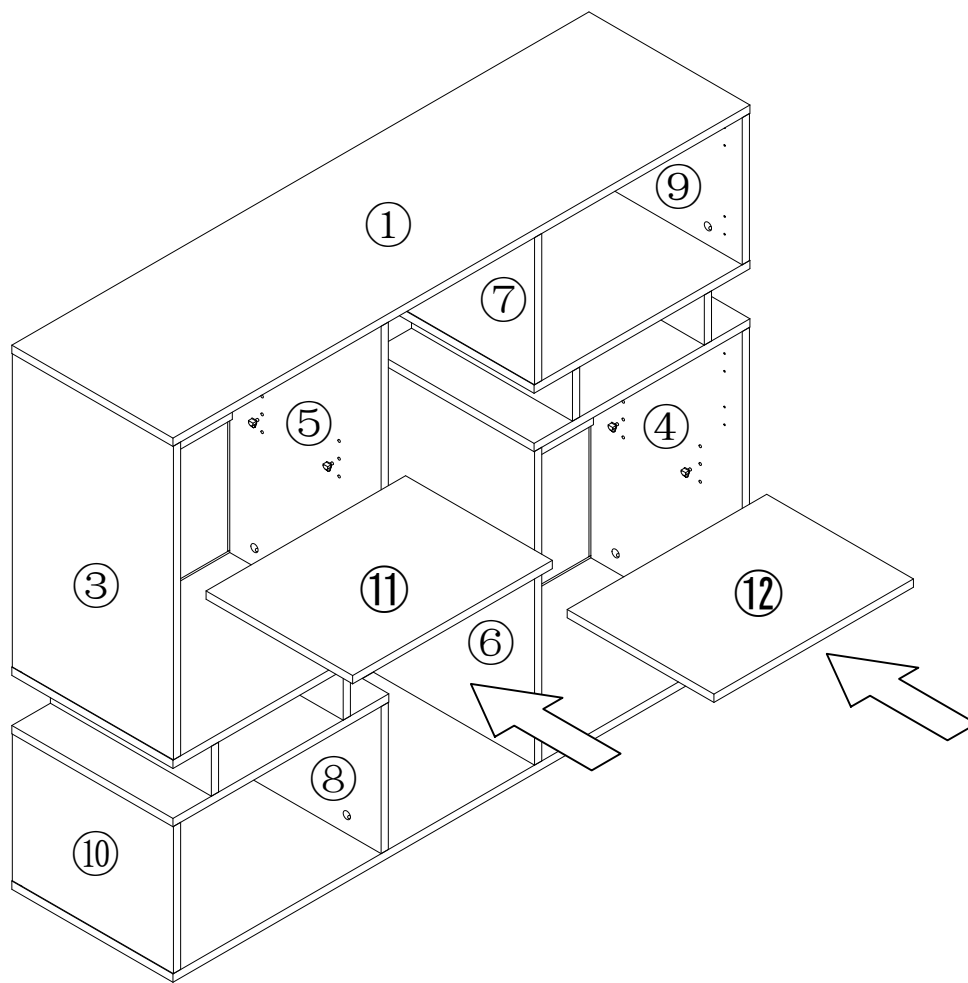
STEP 13




- B**  8PCS
- C**  8*40
4PCS
- D**  3.5*14
4PCS
- J**  2PCS

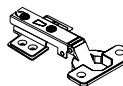
STEP 14

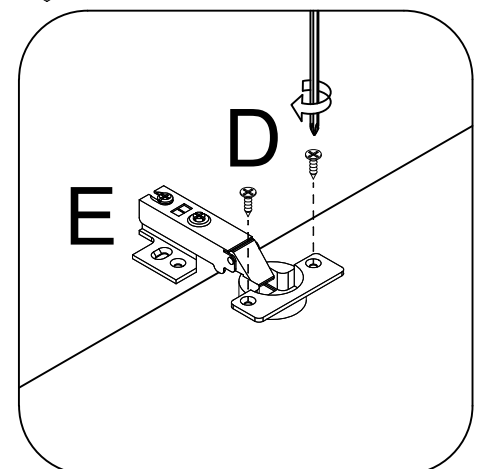
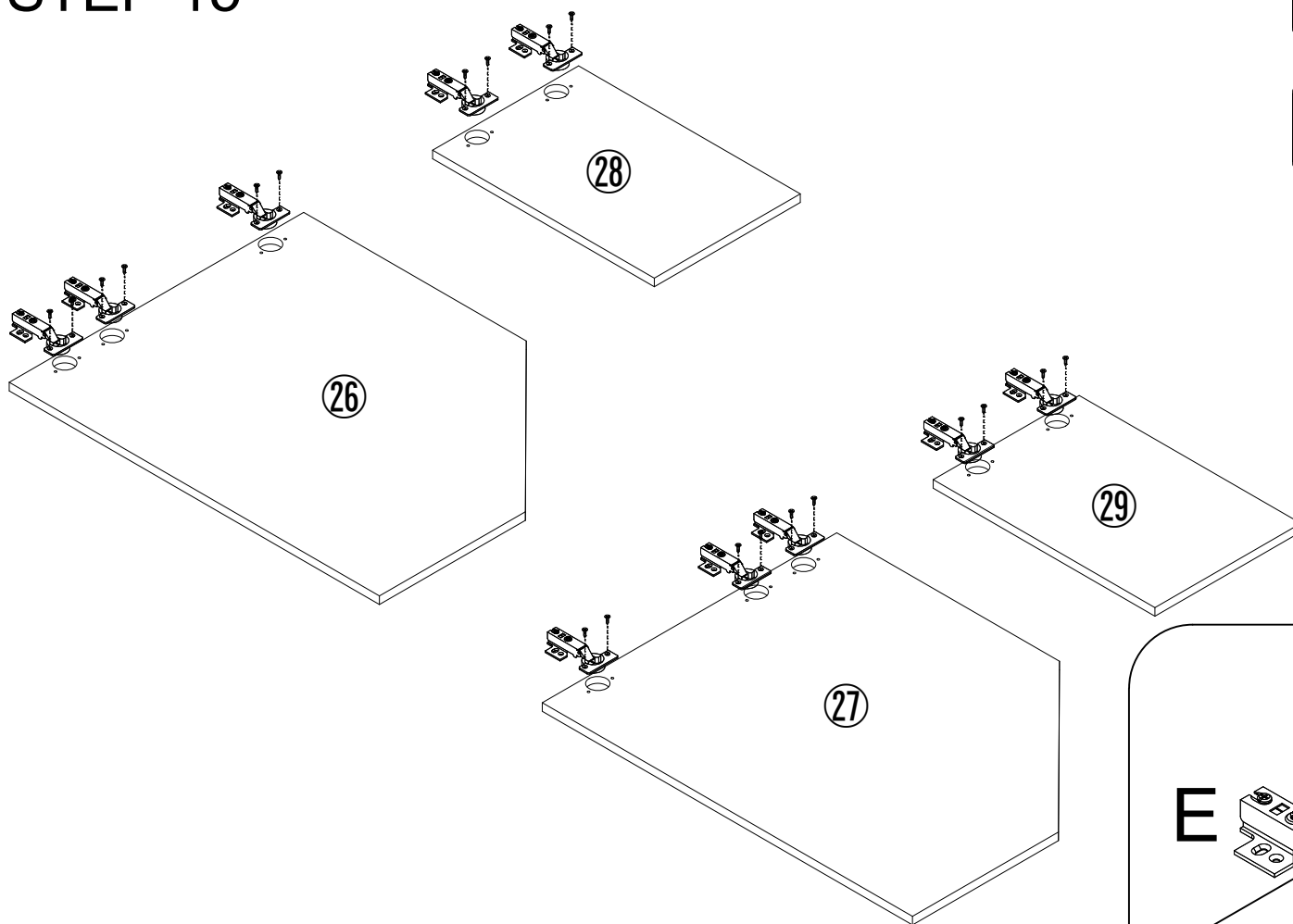
G  8PCS



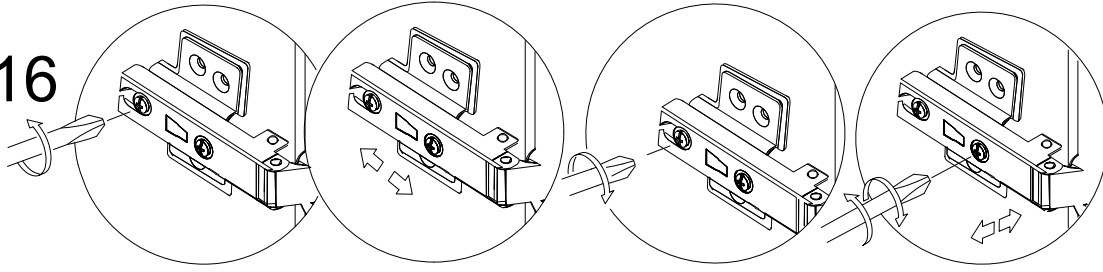
STEP 15


D  3.5*14
20PCS

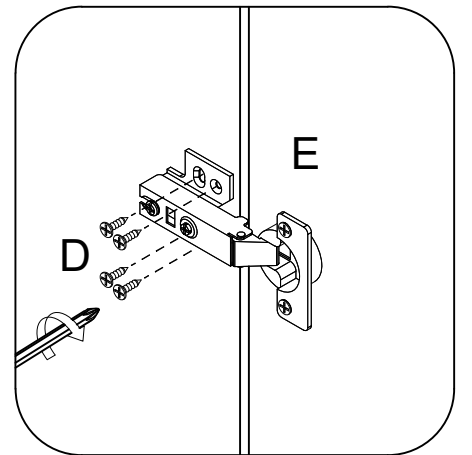
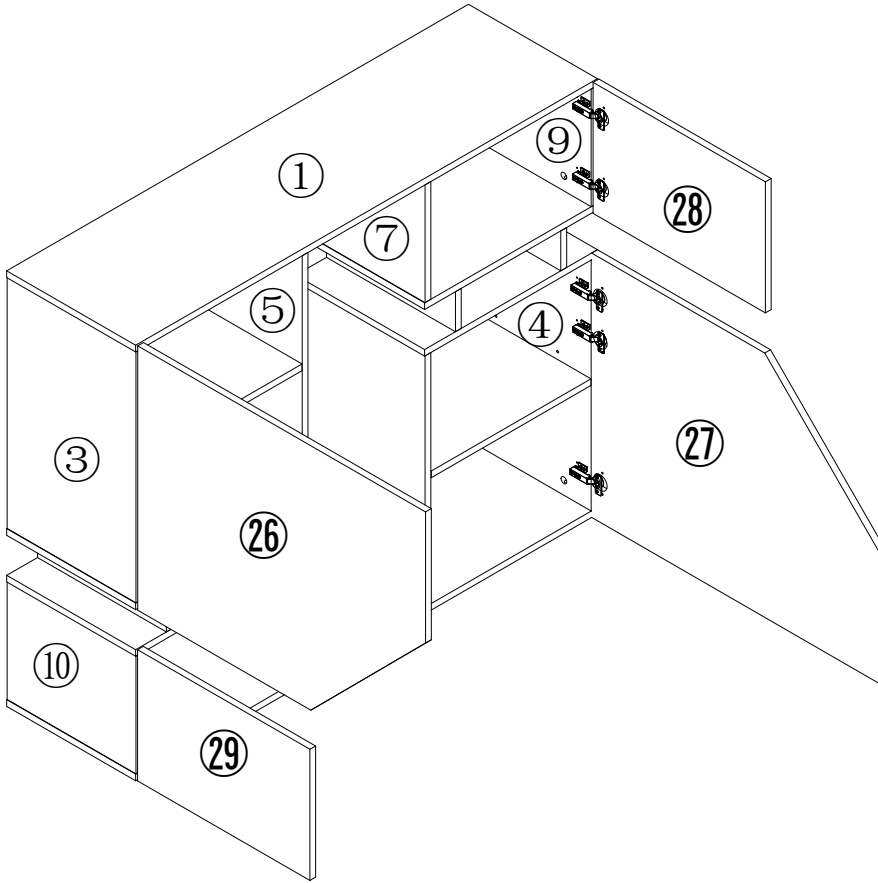
E  10PCS



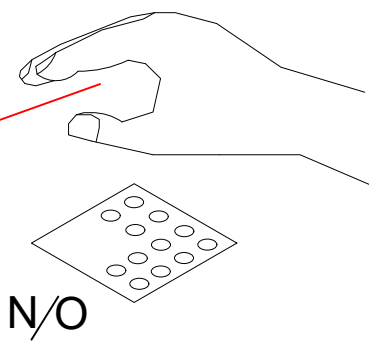
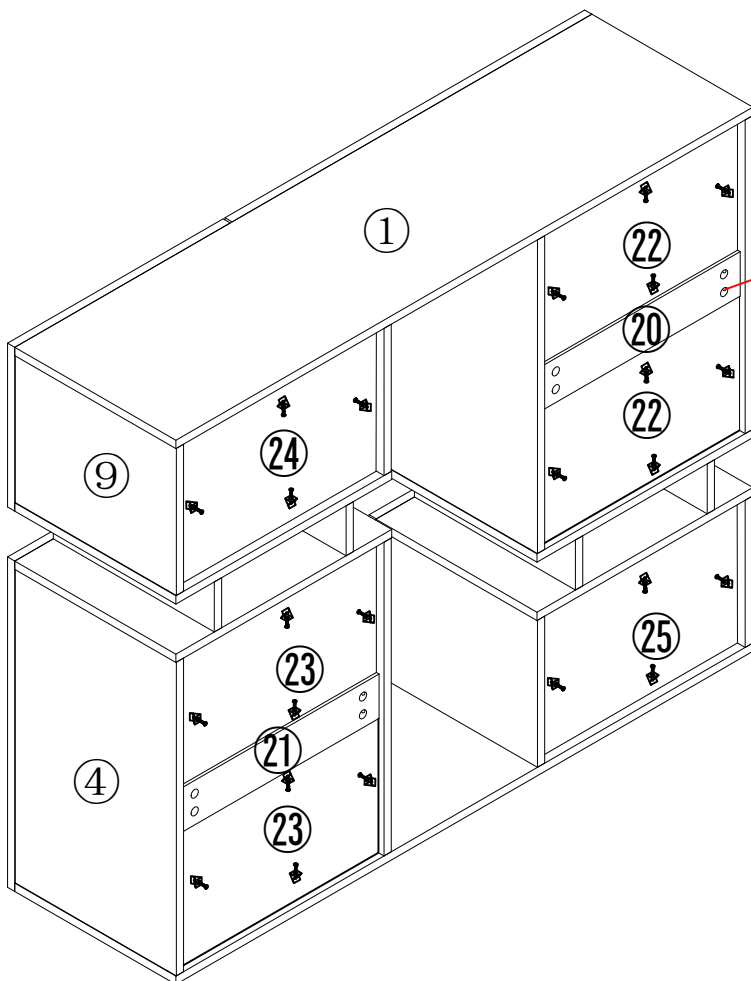
STEP 16

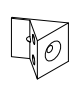



D 3.5*14

 40PCS

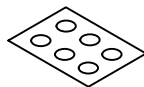


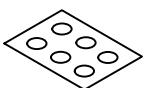
STEP 17

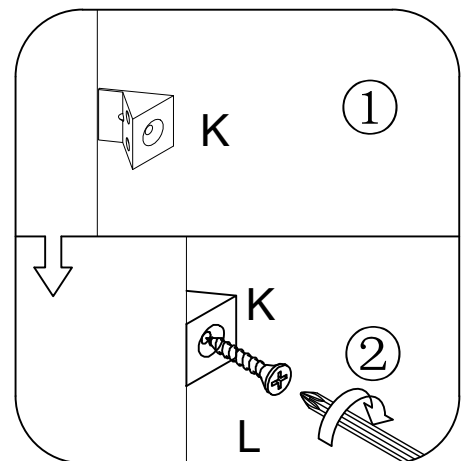


K

 24PCS

L 3*12

 24PCS

N

 24PCS

O

 24PCS



STEP 18

