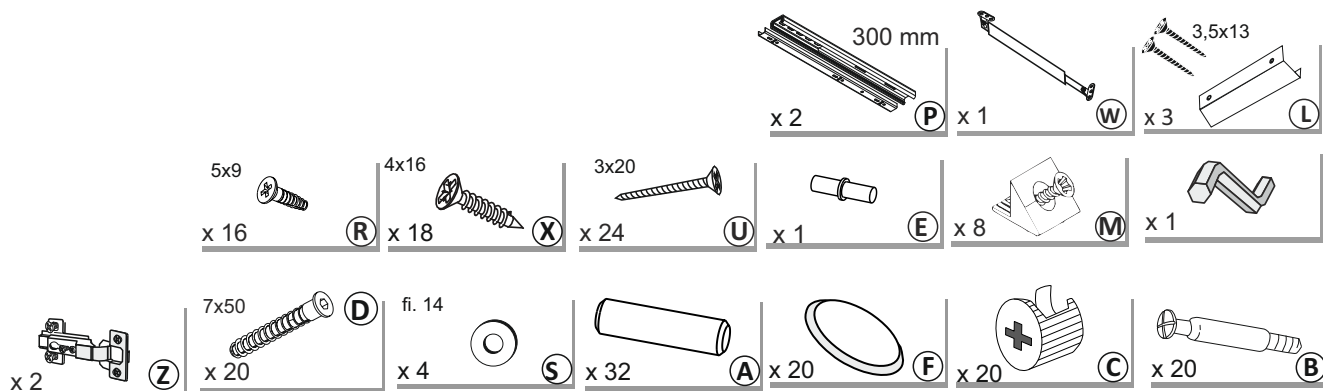
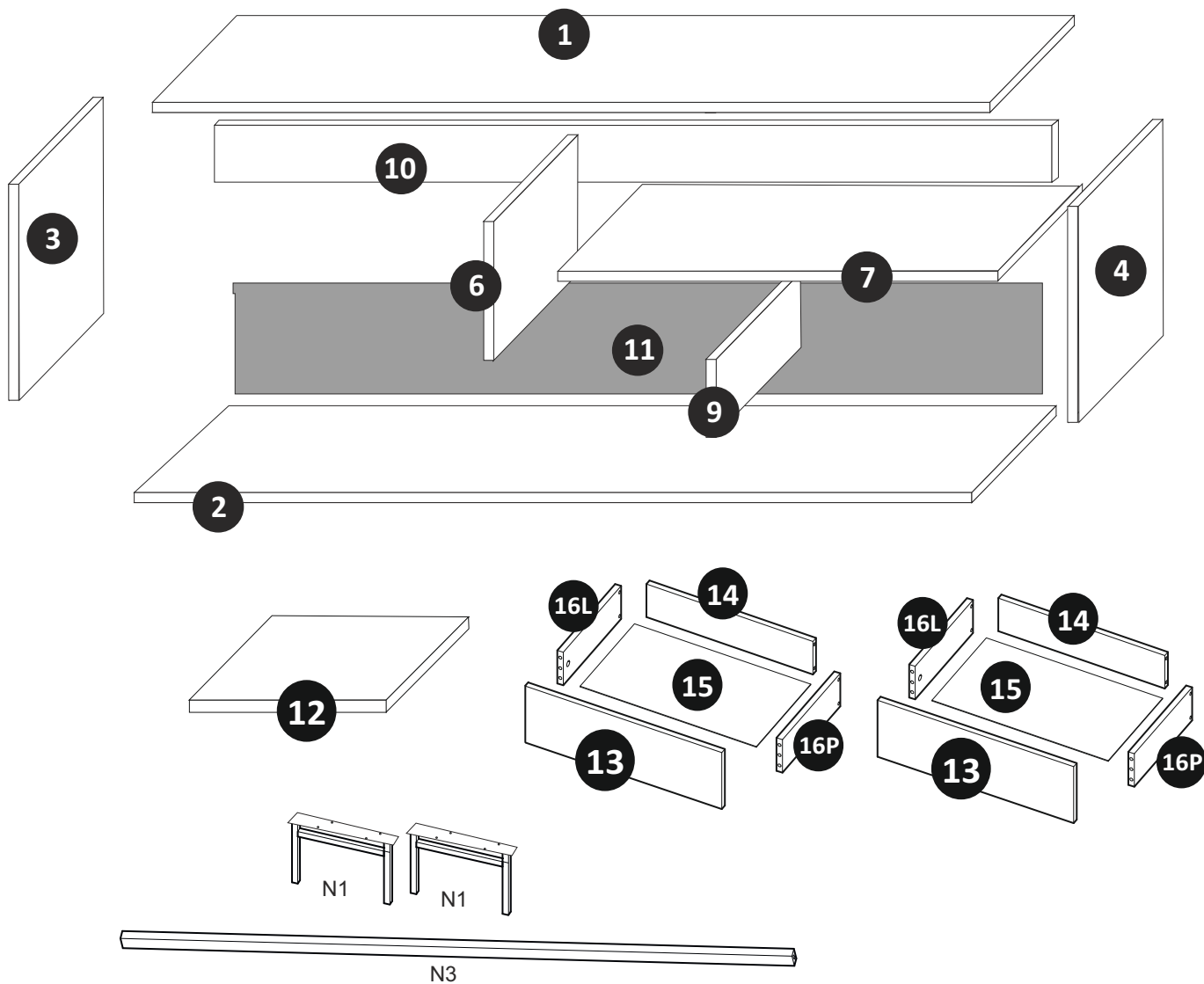
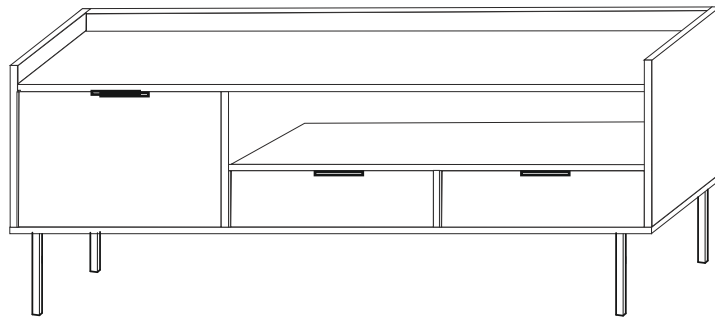


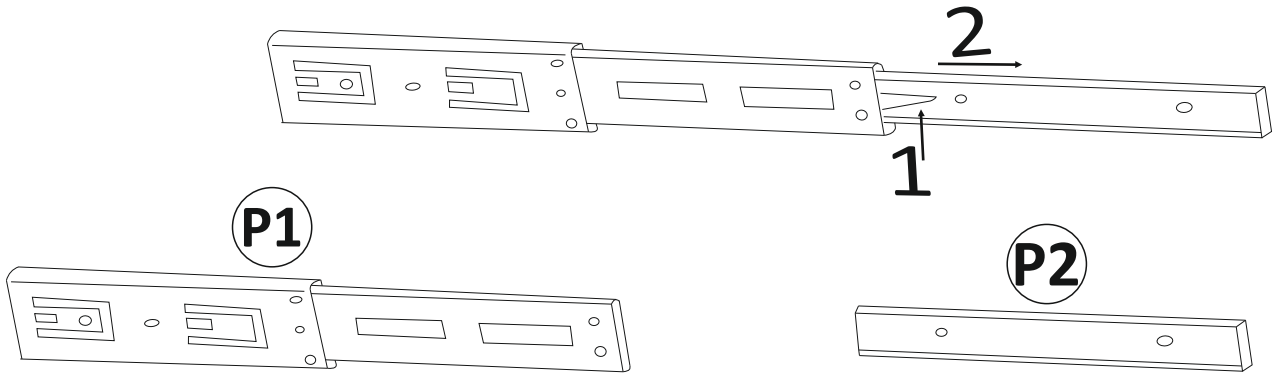
EDISON

RTV 150

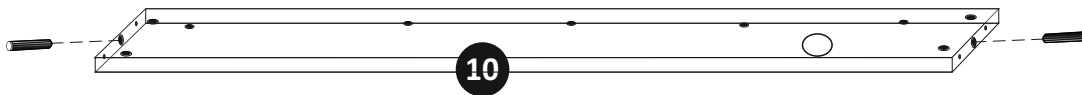
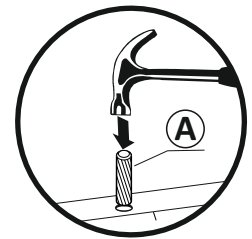
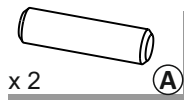


1

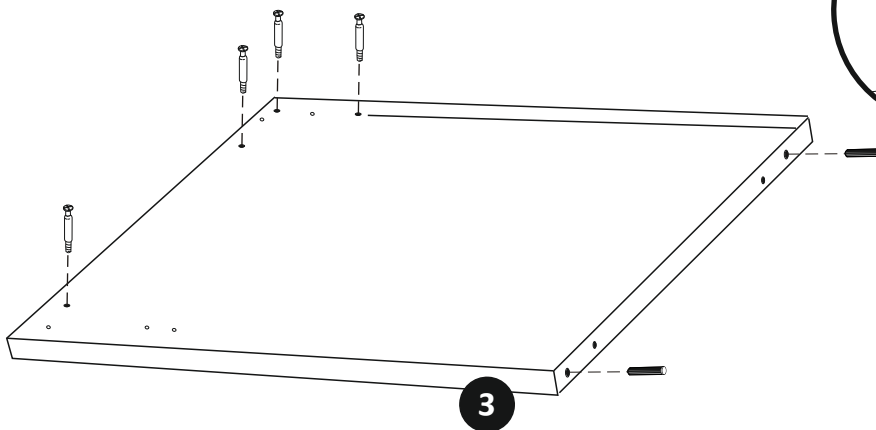
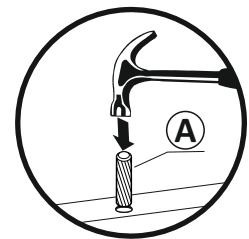
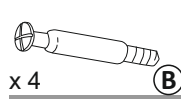
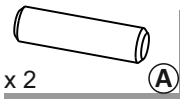
P



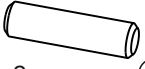
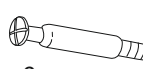
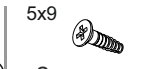

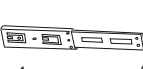
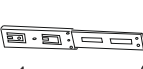
2

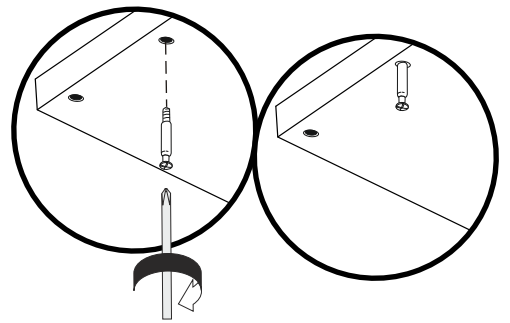
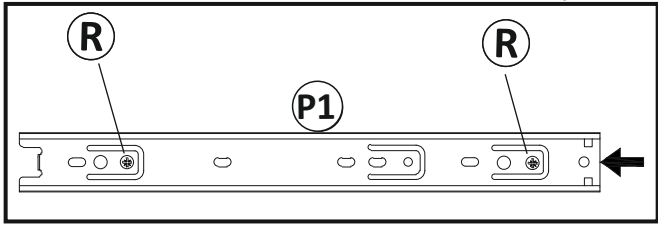
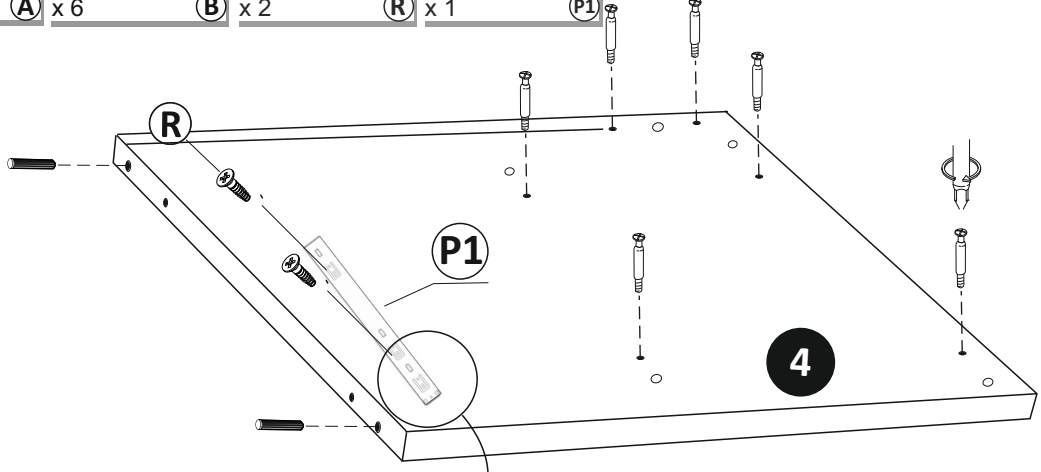


3


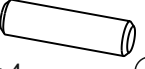
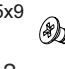
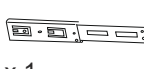
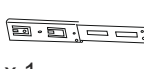


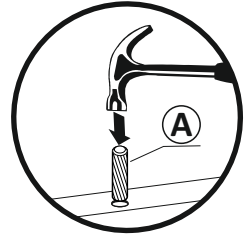
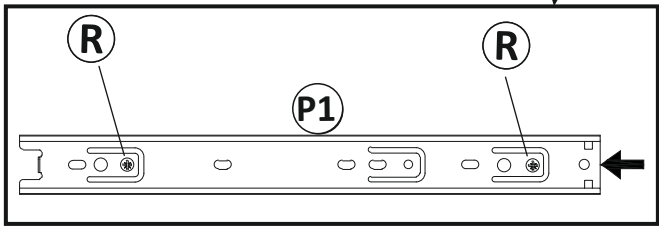
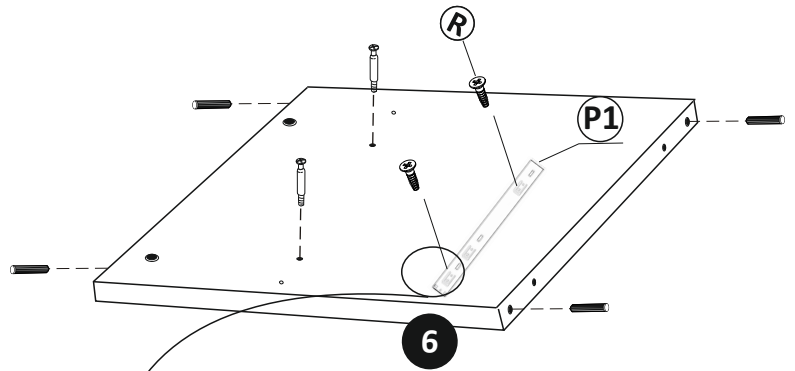
4

- x 2 
- x 6  (A)
- x 2  (B)
- 5x9 
- x 1  (R)
- x 1  (P1)

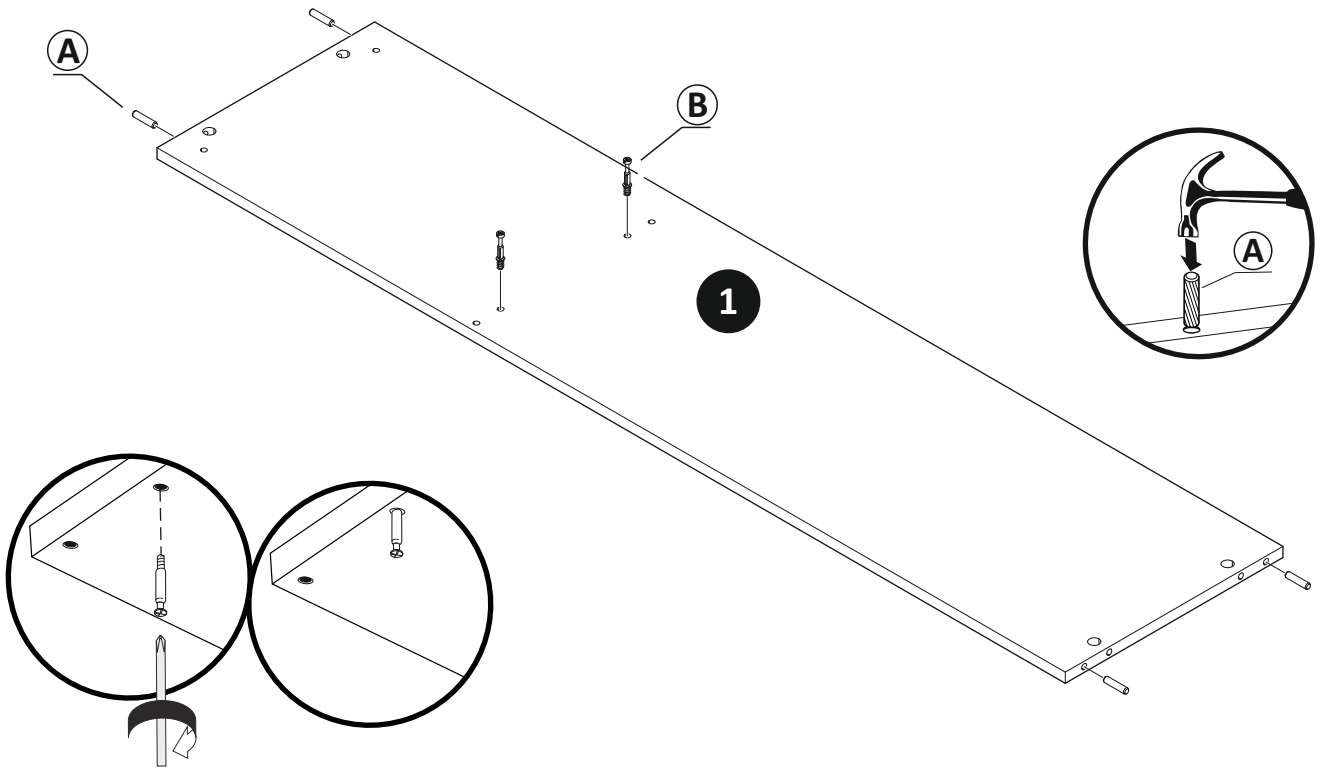


5

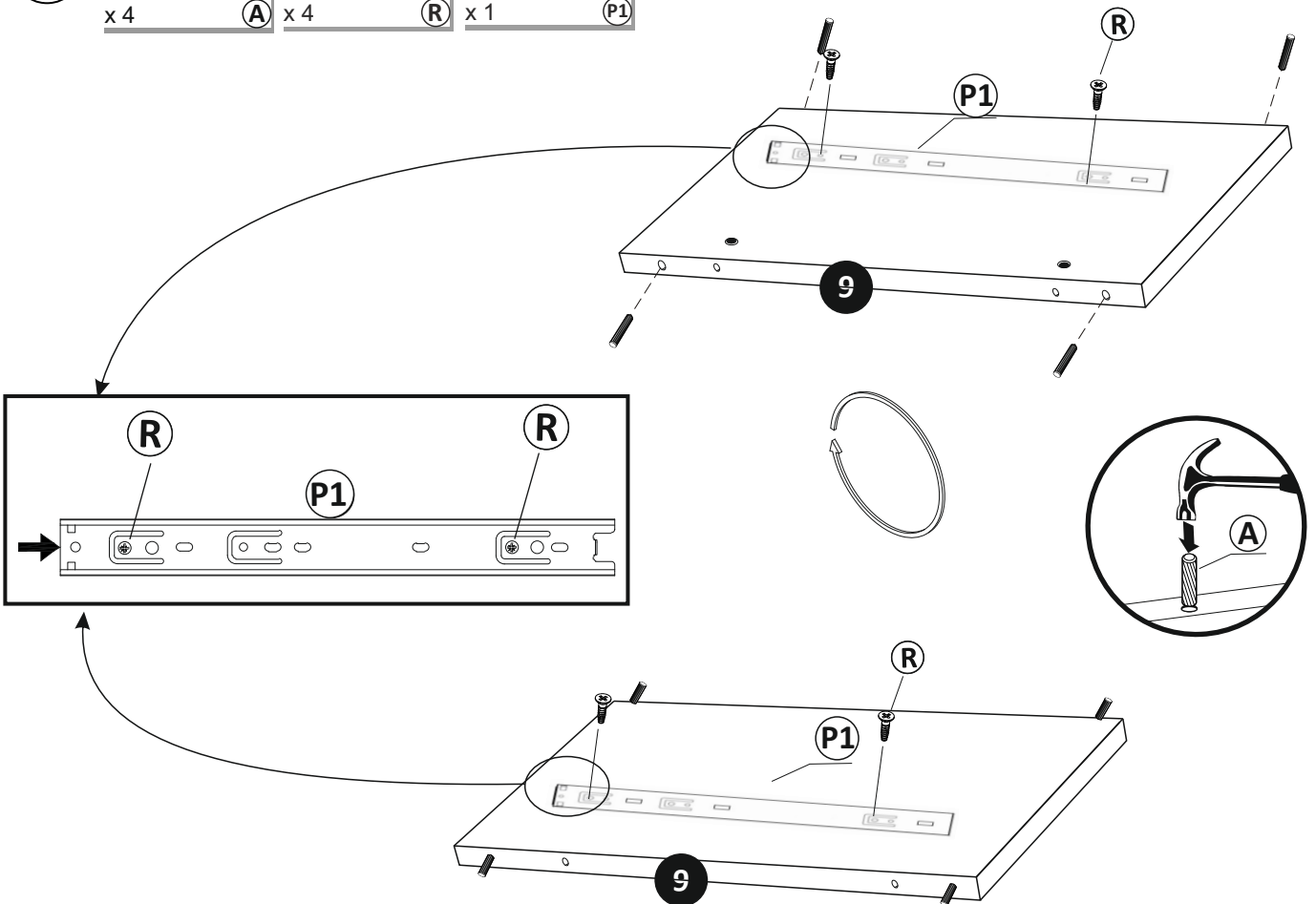
- x 2  (B)
- x 4  (A)
- x 2  (5x9)
- x 1  (R)
- x 1  (P1)



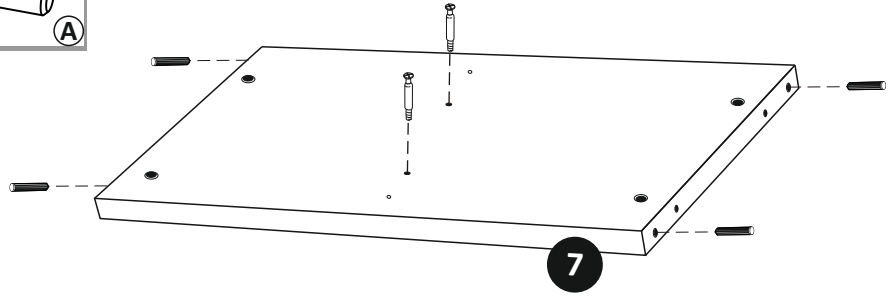
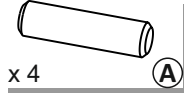
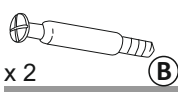
- 6 x 2 **B** x 4 **A**



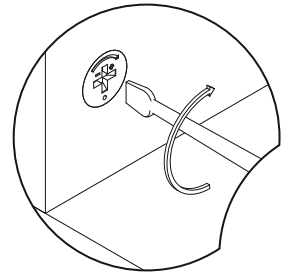
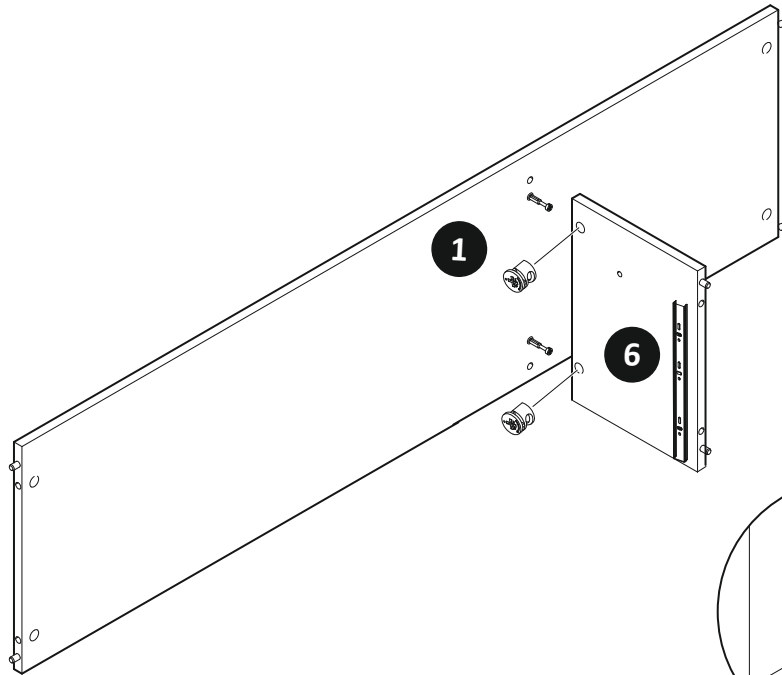
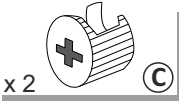
- 7 x 4 **A** 5x9 x 4 **R** x 1 **P1**



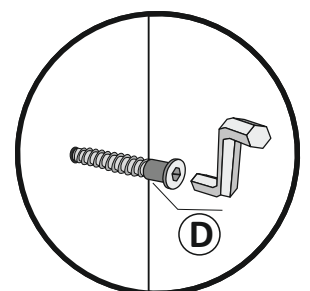
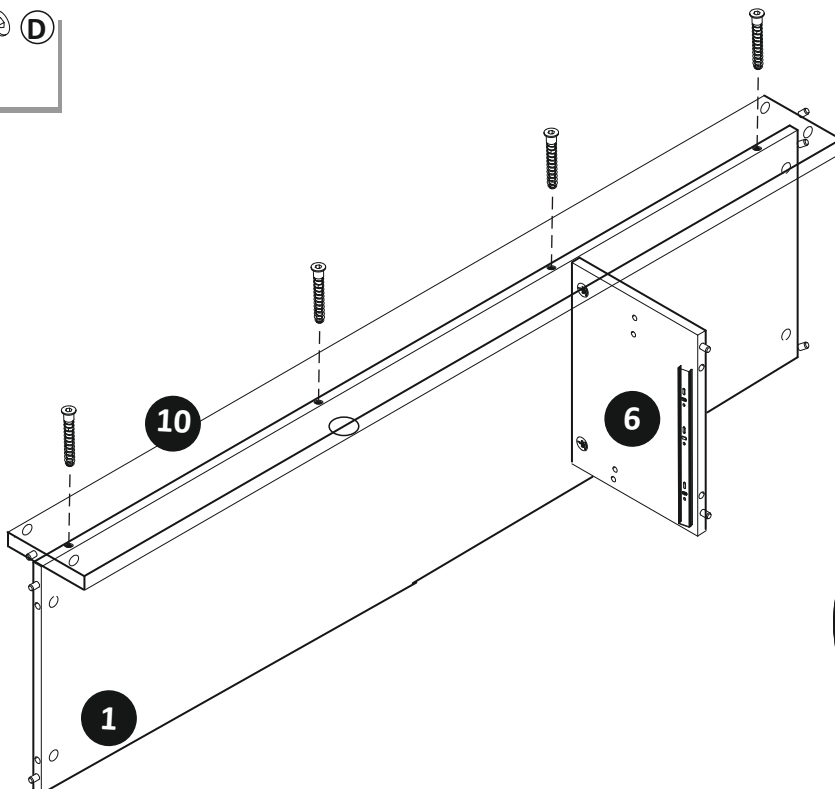
8

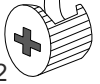


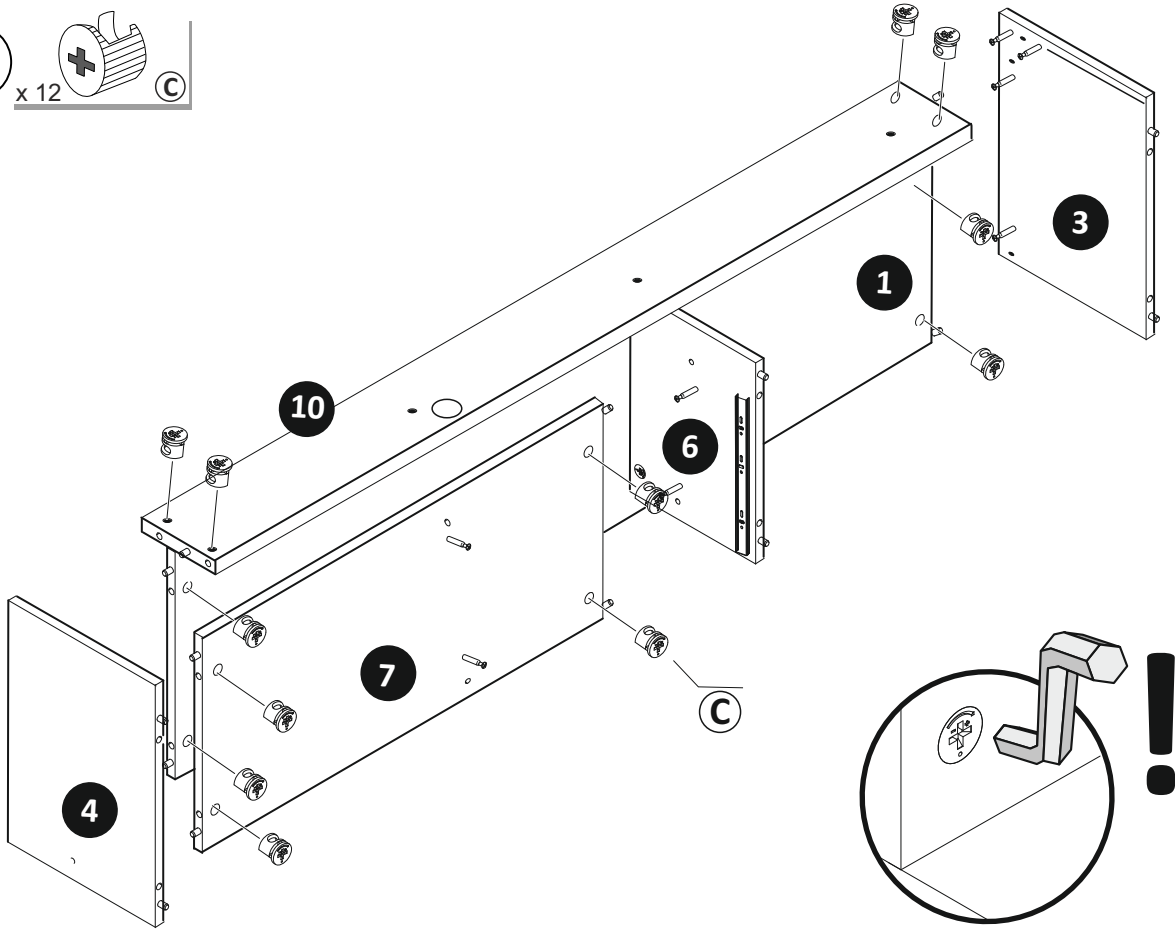
9




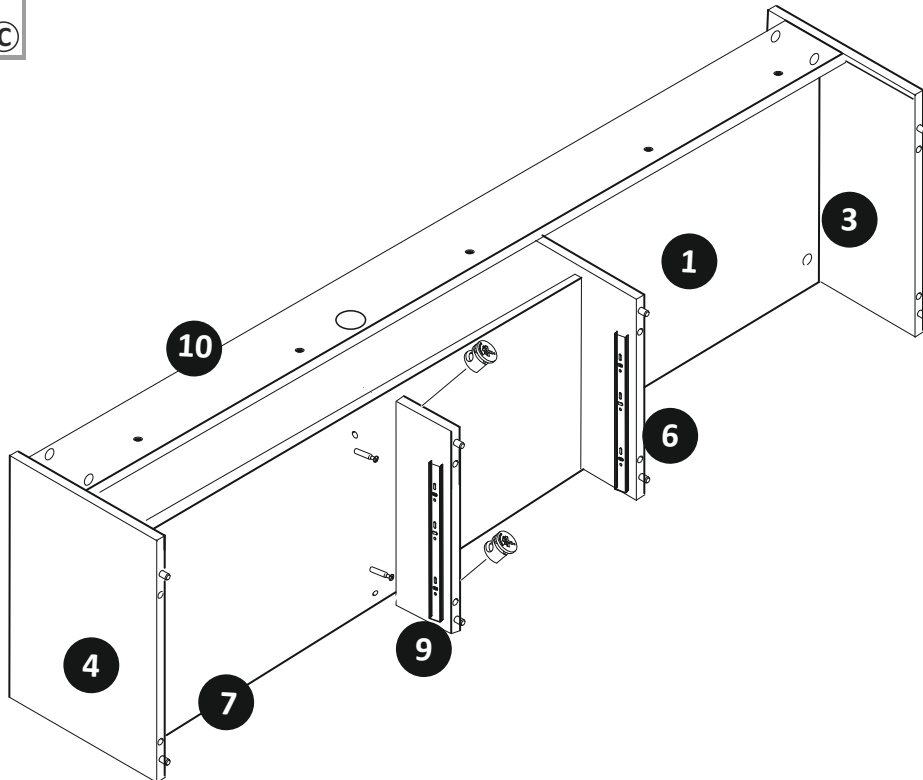
10

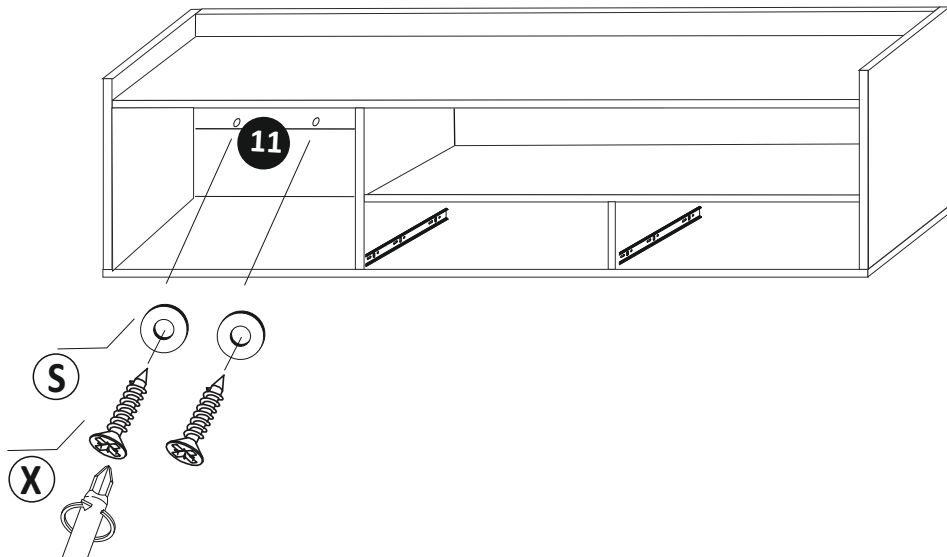
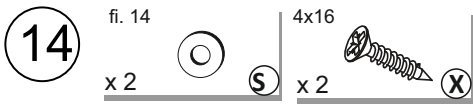
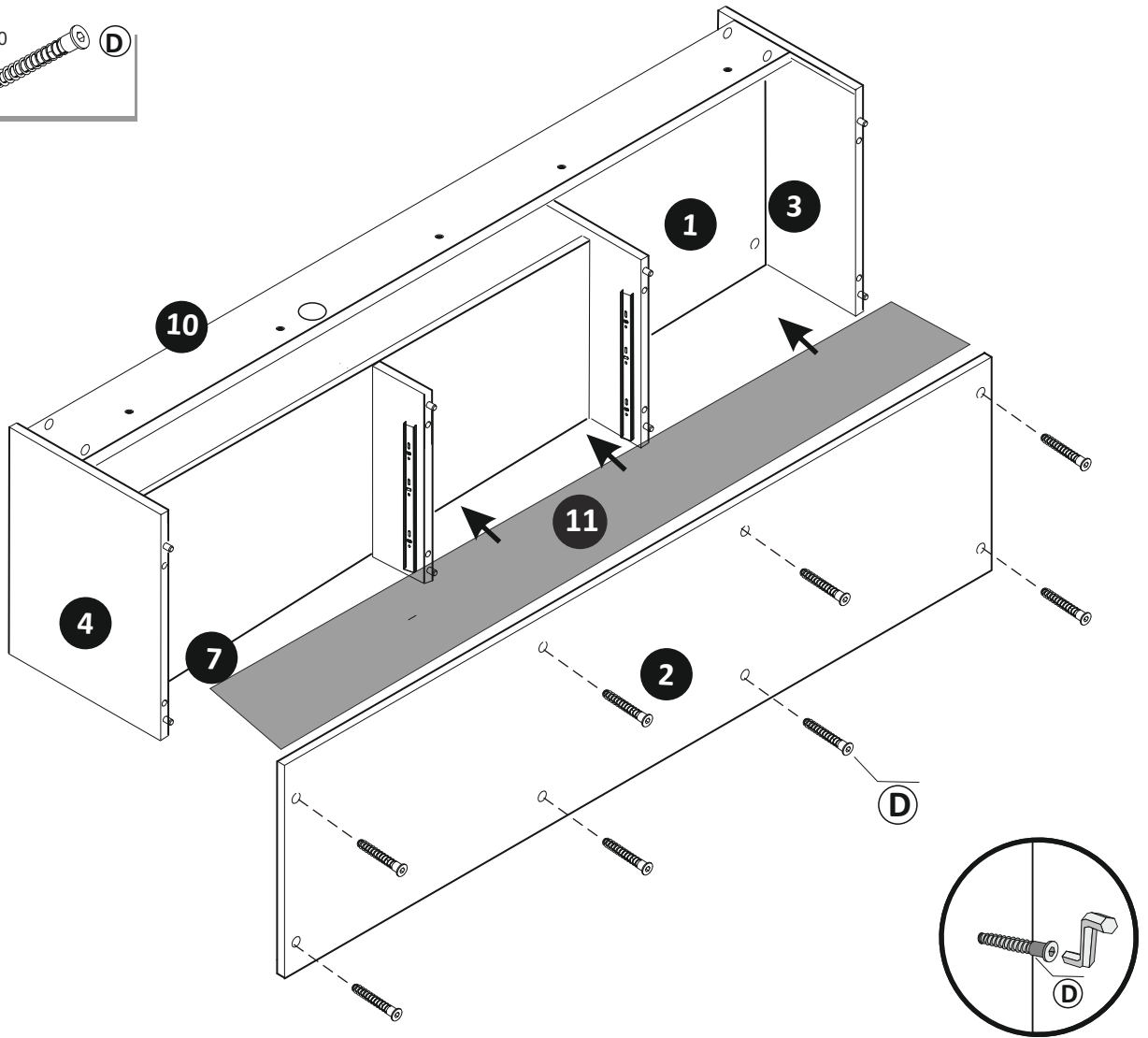
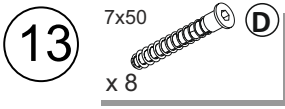


11 x 12  (C)

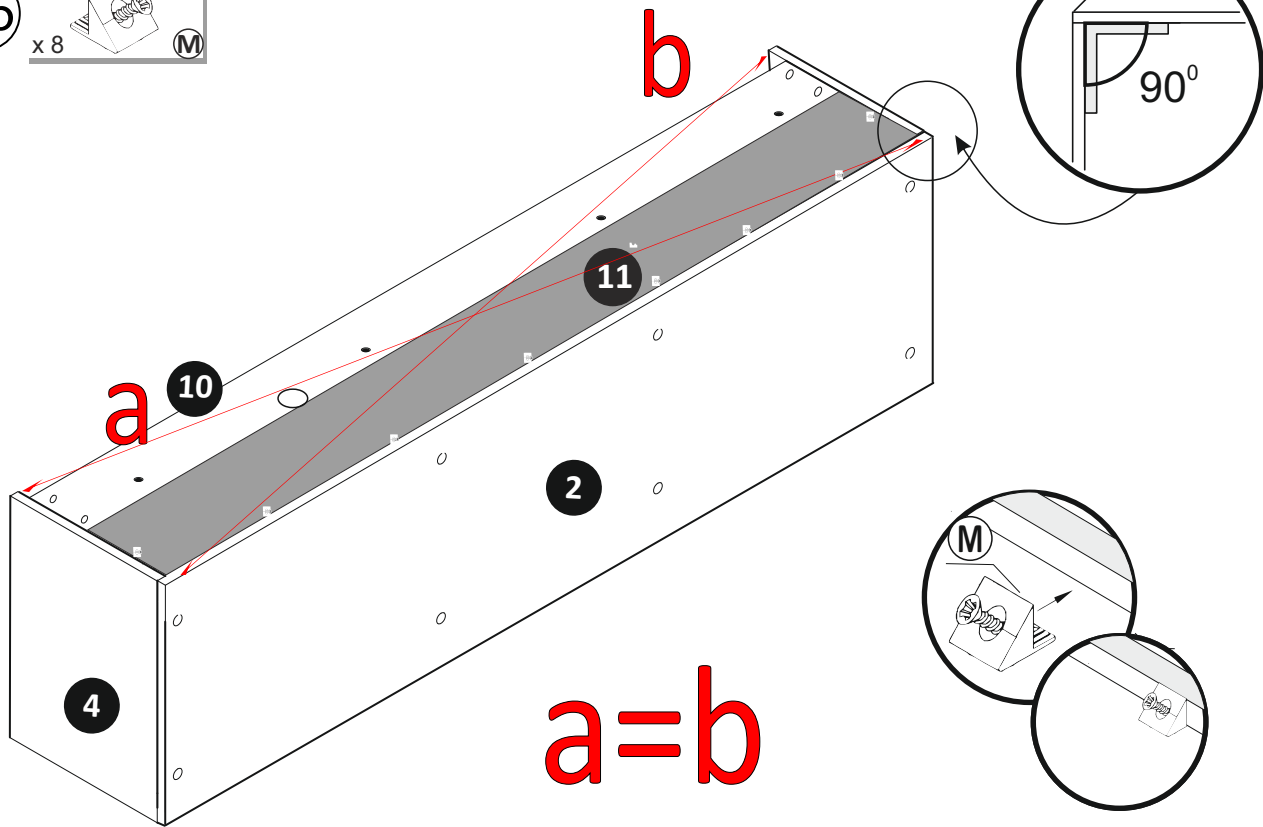


12 x 2  (C)

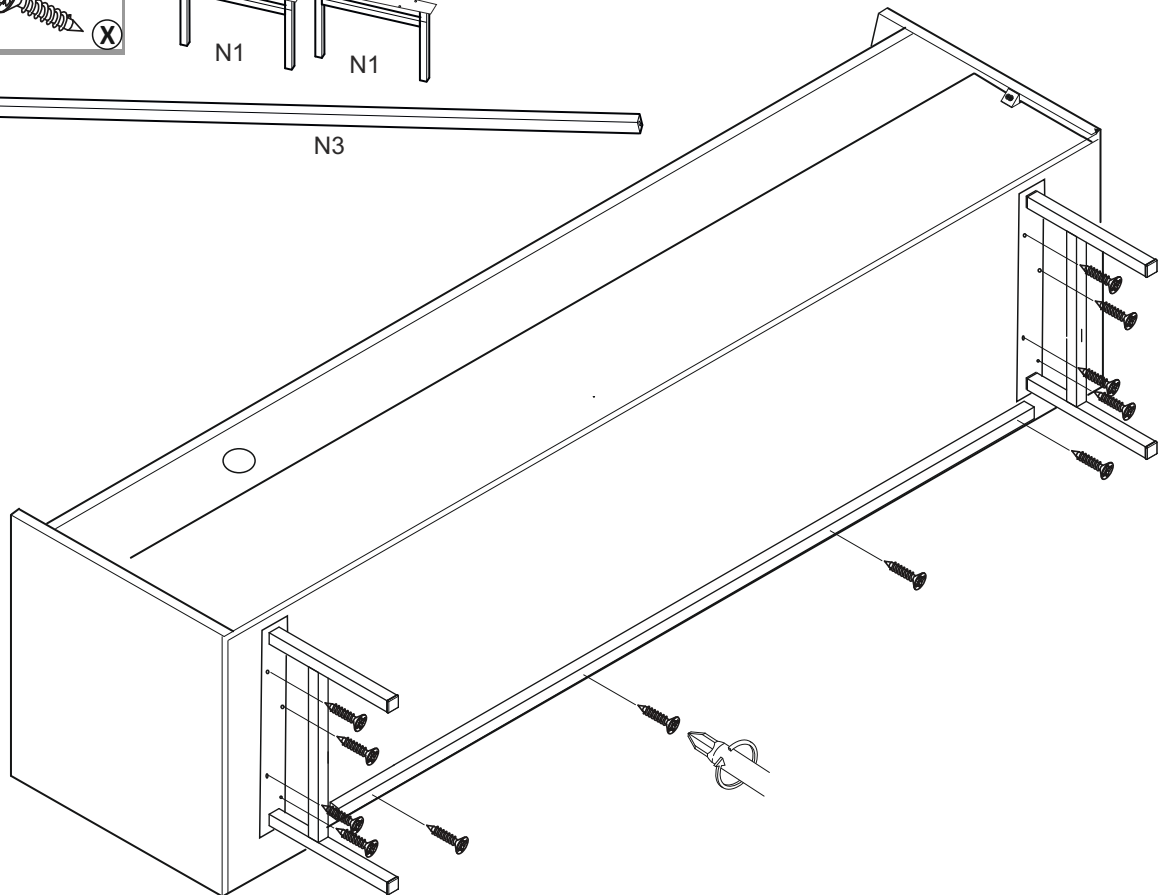
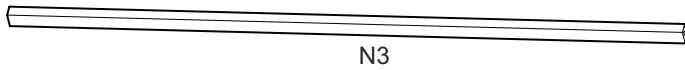
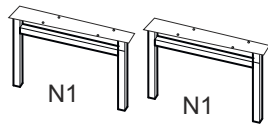


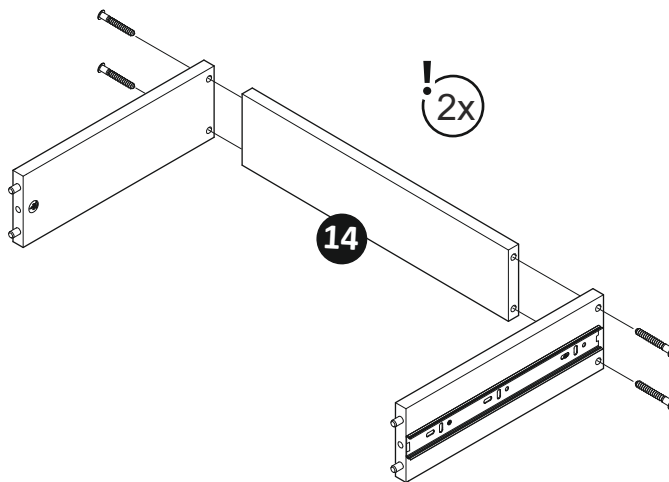
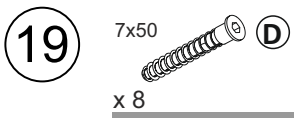
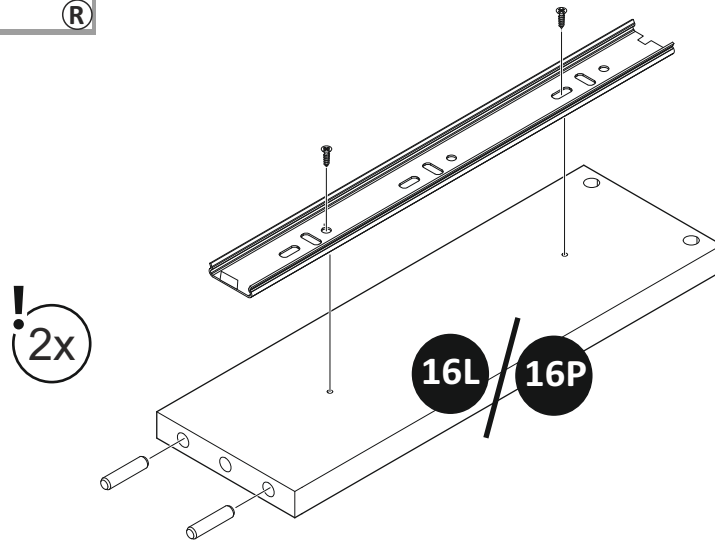
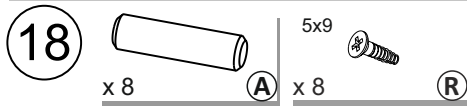
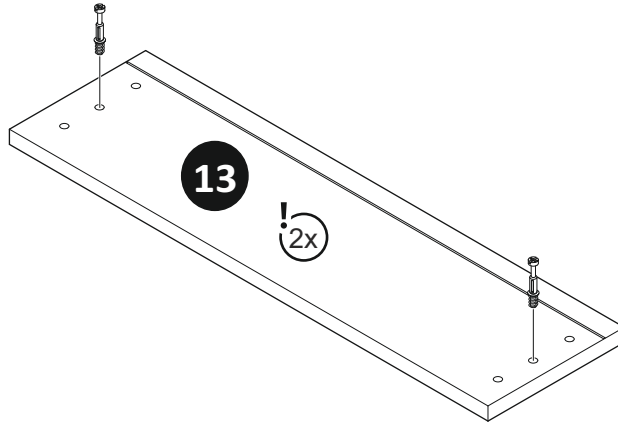
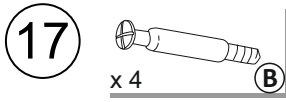


15 x 8 (M)

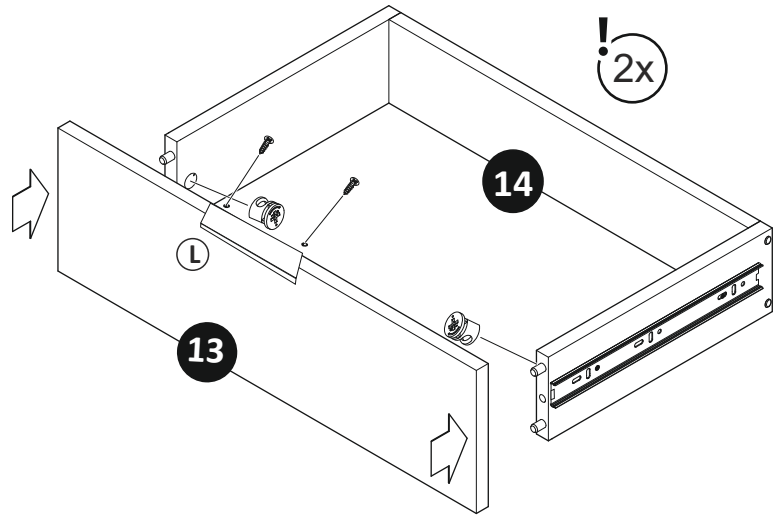
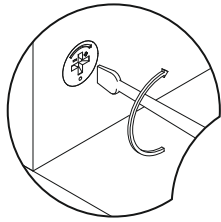
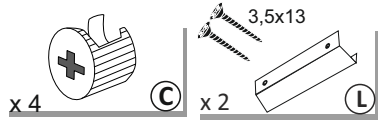


16 4x16 x 12 (X)

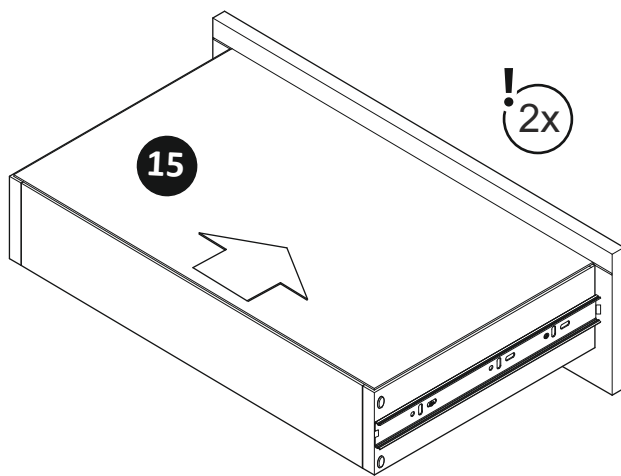




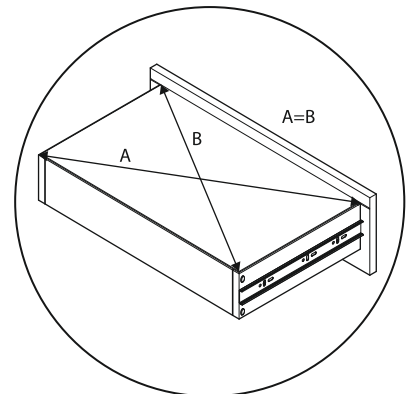
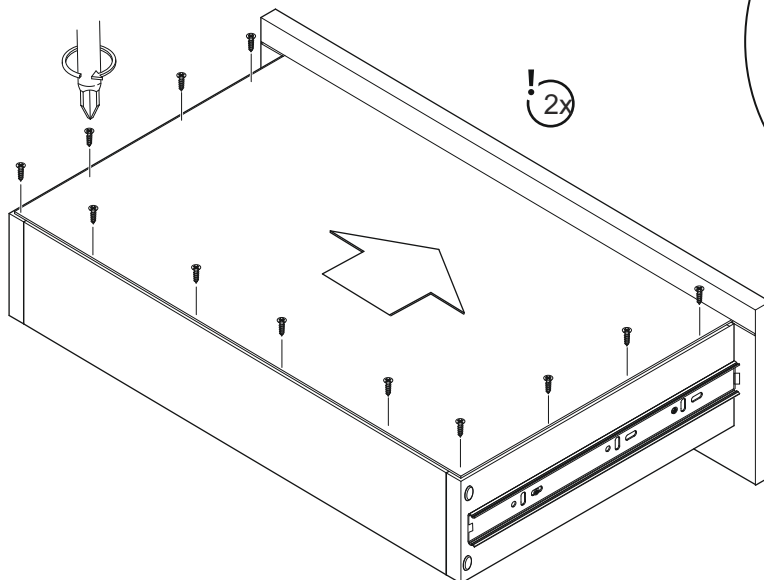
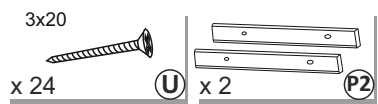
20



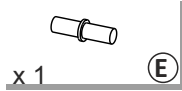
21



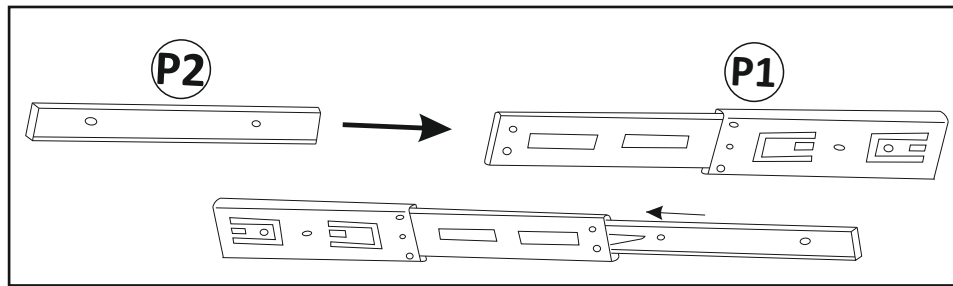
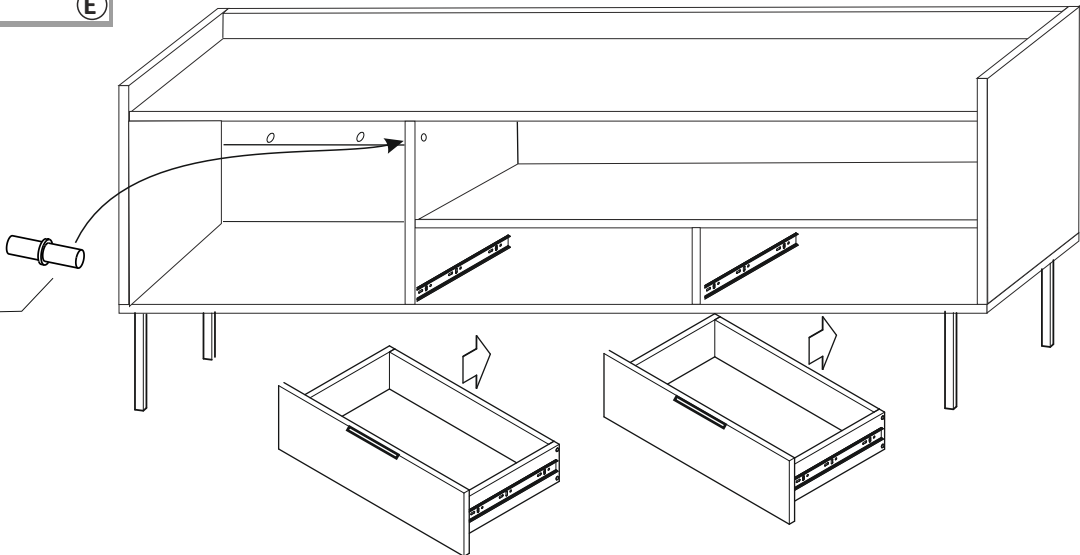
22



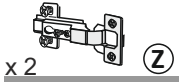
23



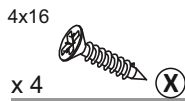
E



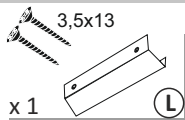
24



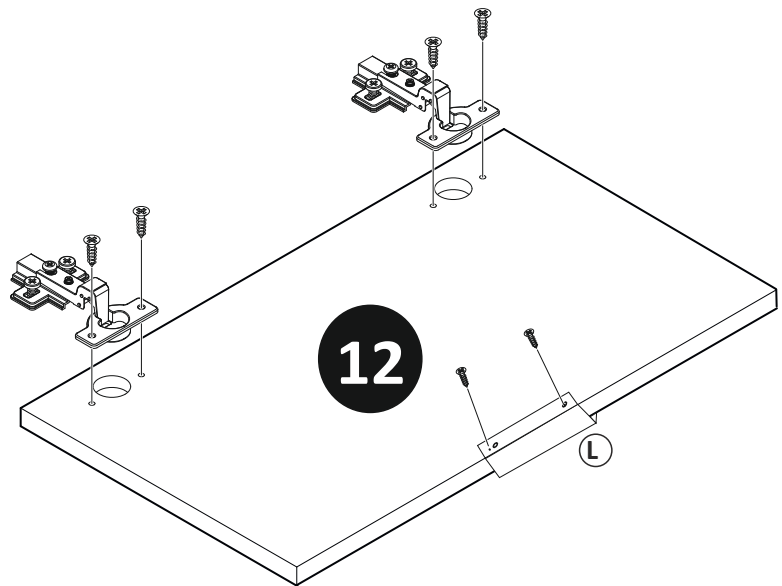
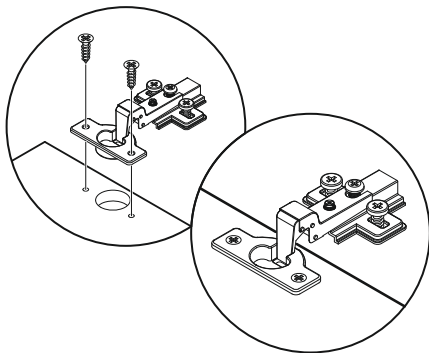
Z



X



L



25

