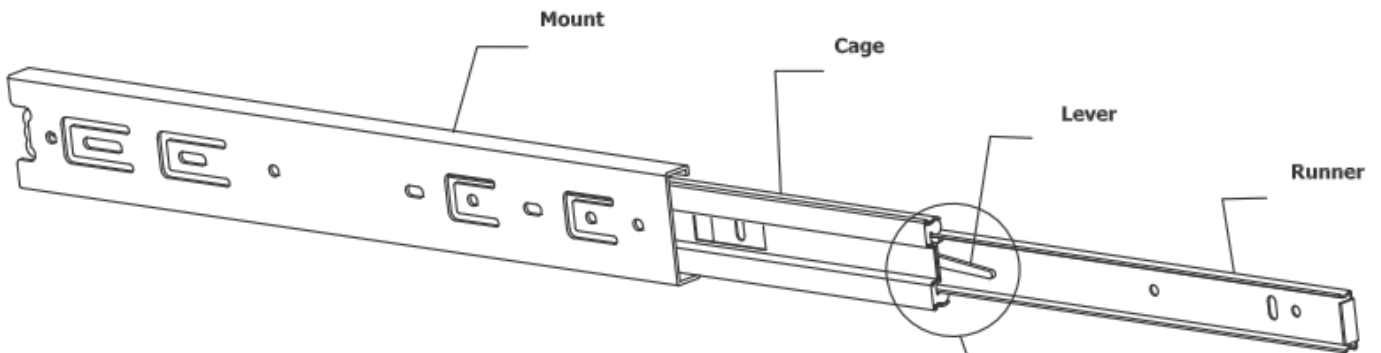
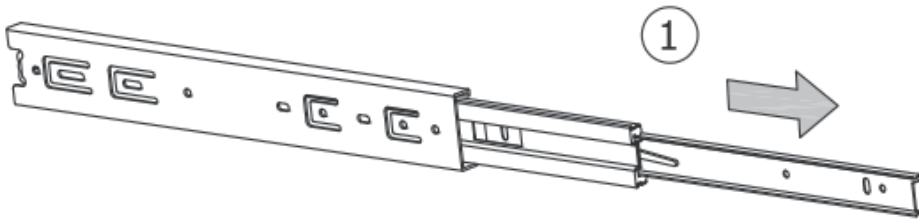


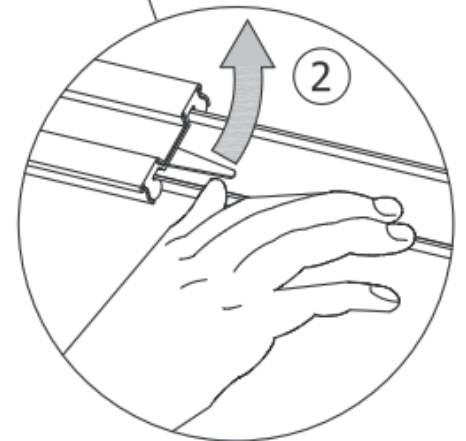
**Slides Must Be Separated Before Assembly.  
After Separated, Set Aside Until Needed for Assembly.**



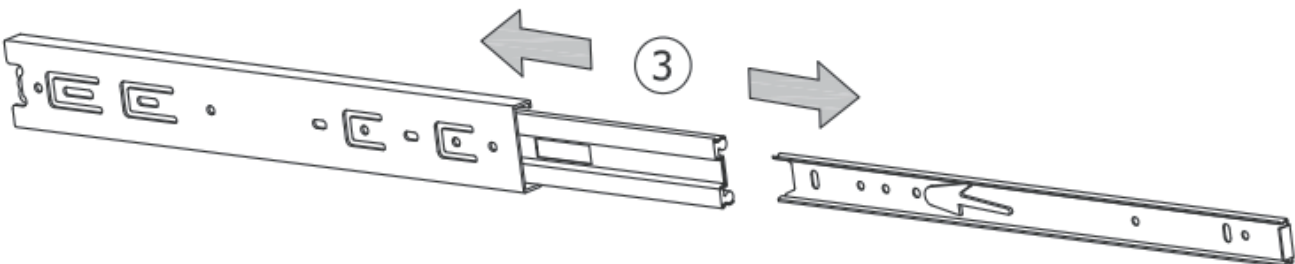
**STEP 1: Extend Slide**

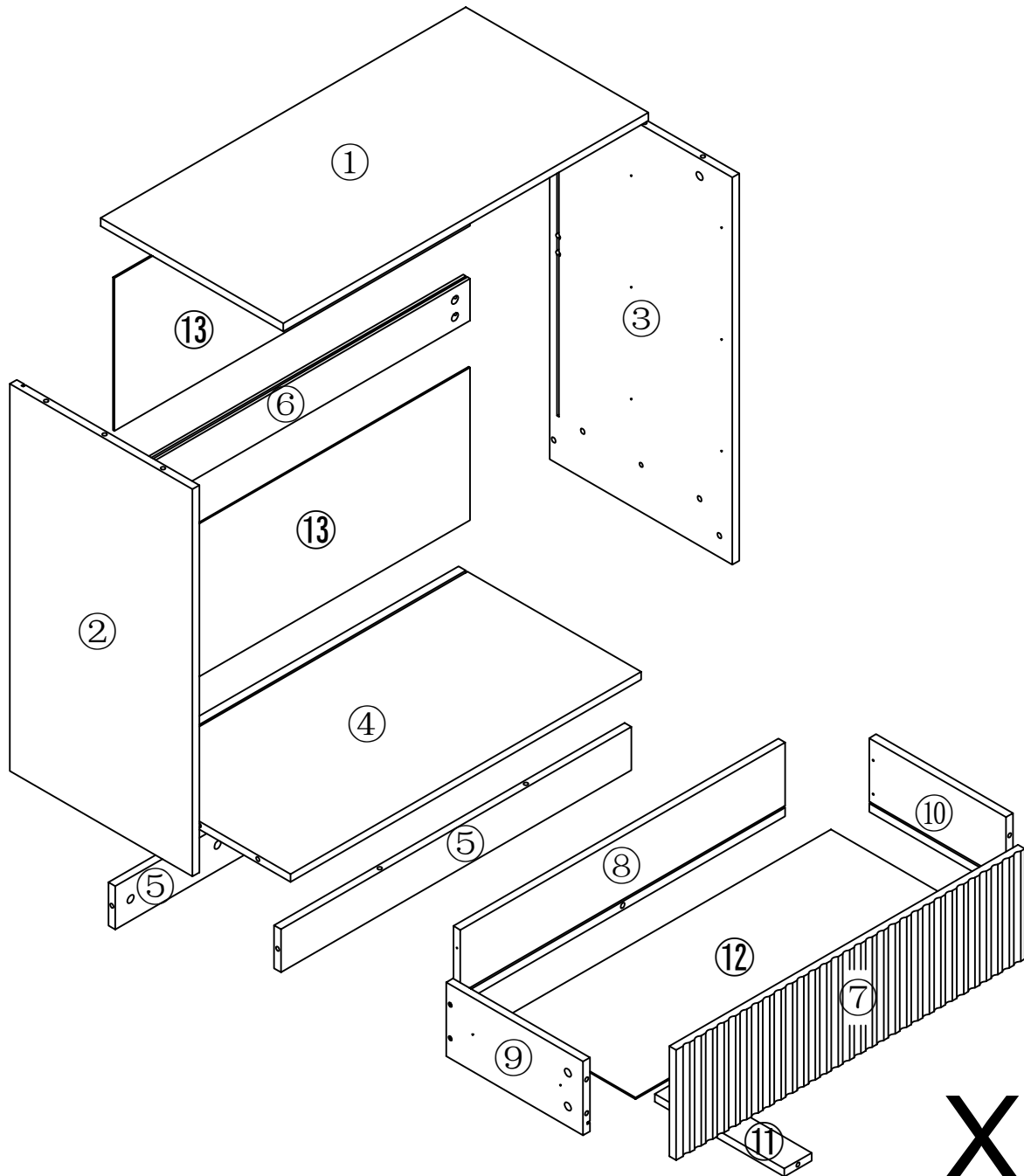


**STEP 2: Push Lever UP**

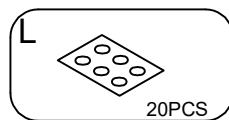
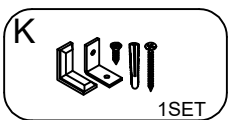
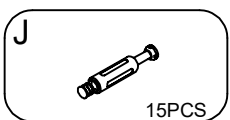
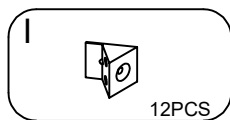
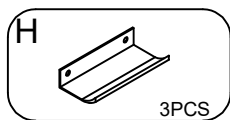
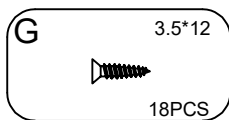
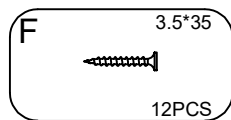
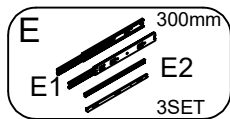
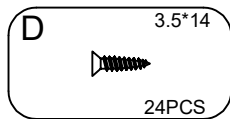
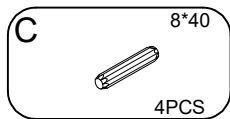
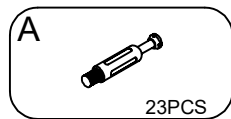


**STEP 3: Remove Runner**



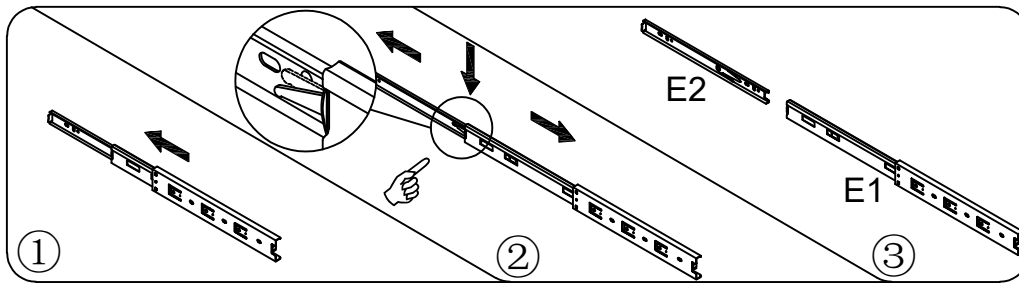





**X3**

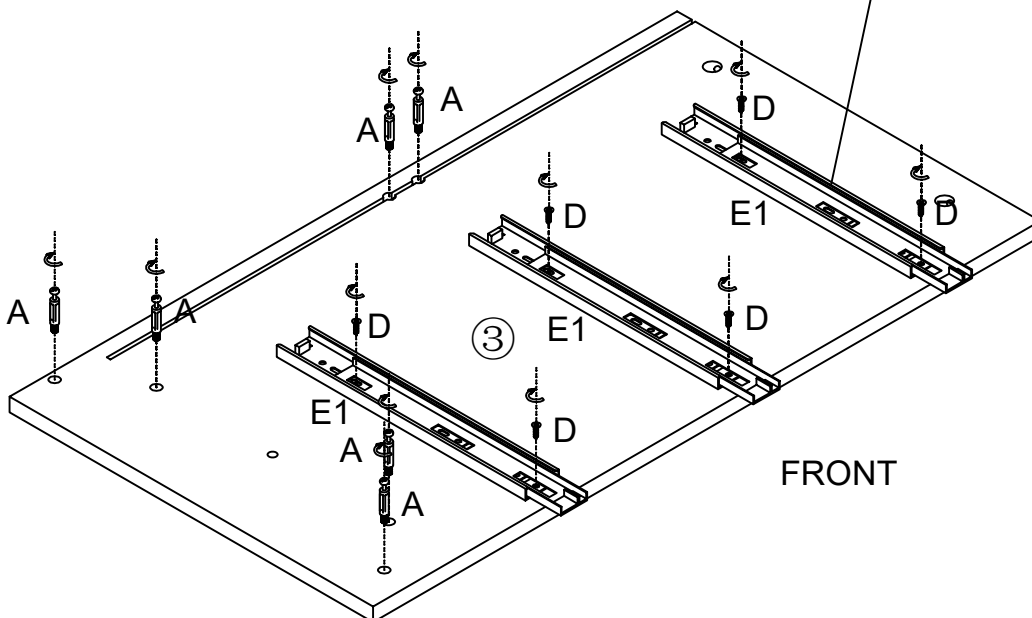
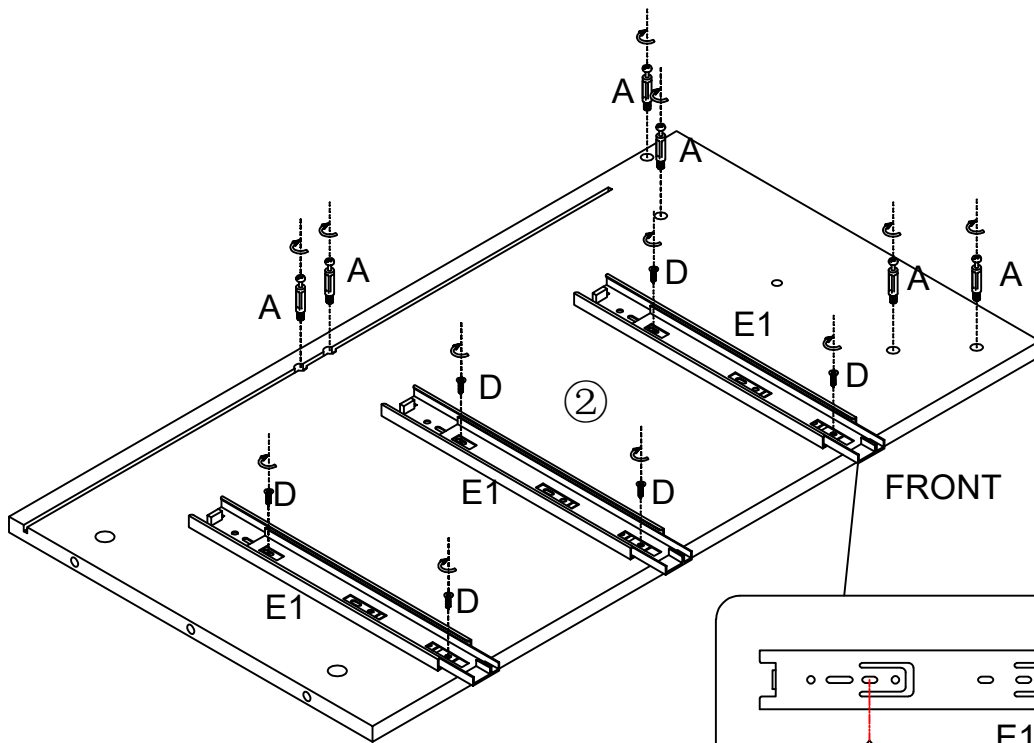




# STEP 2

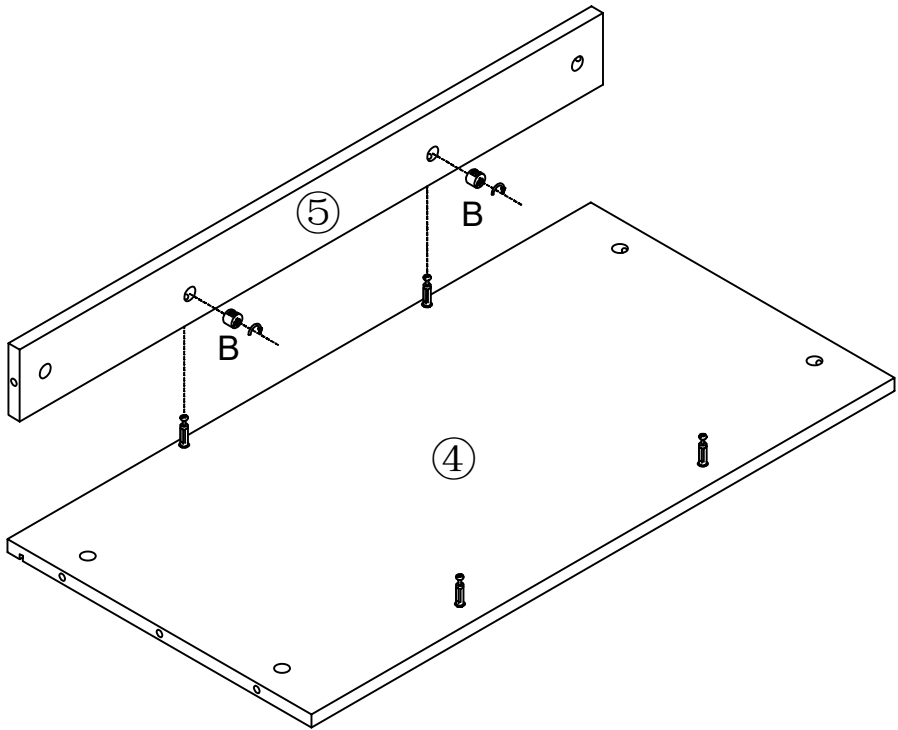
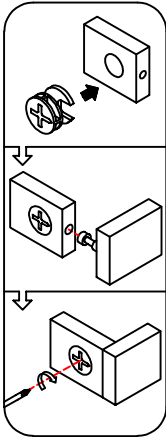


- A  12PCS
- D  3.5\*14 12PCS
- E  300mm 3SET



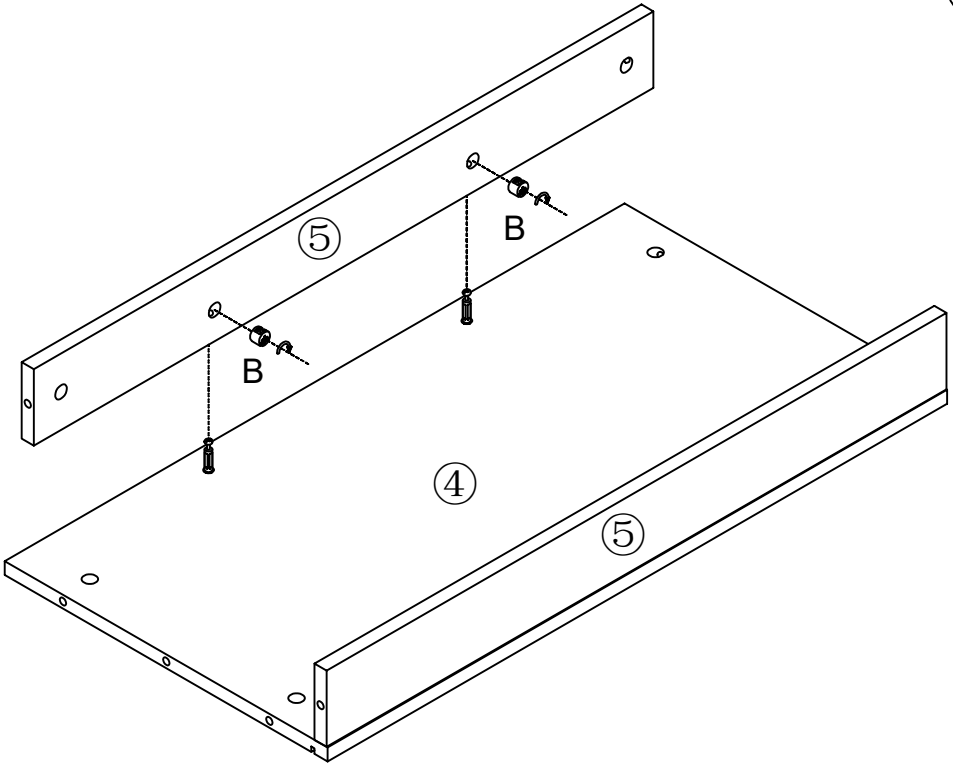
# STEP 3

B  2PCS

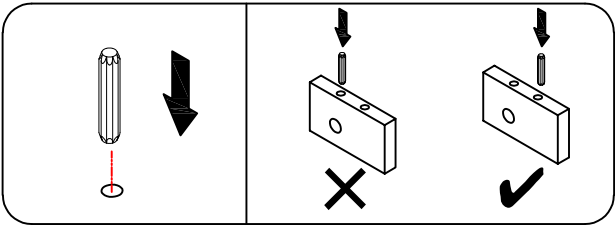
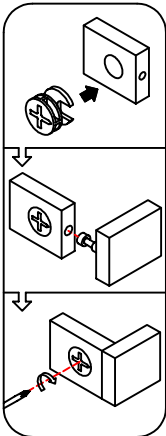



# STEP 4

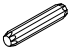
B  2PCS

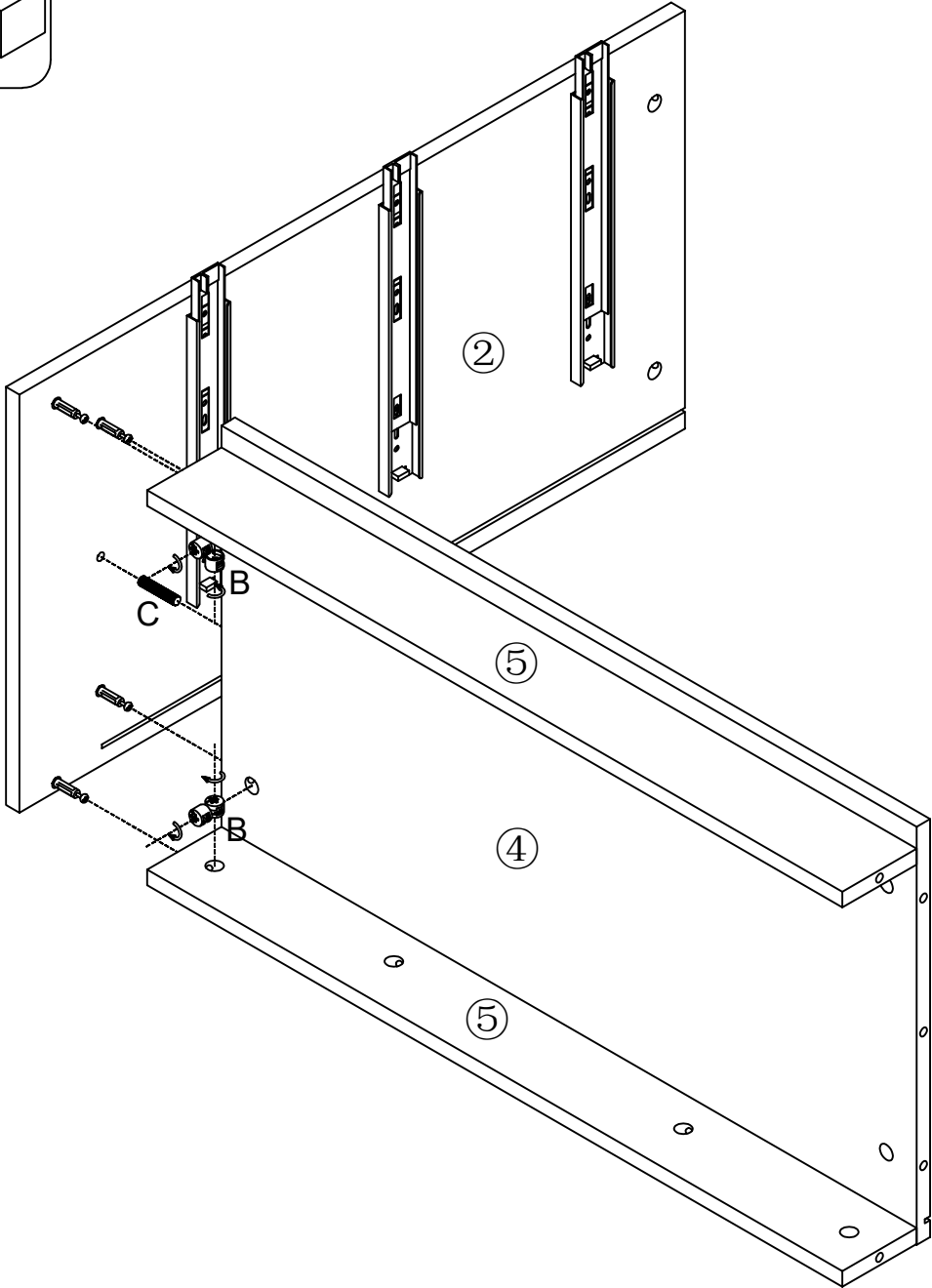


# STEP 5



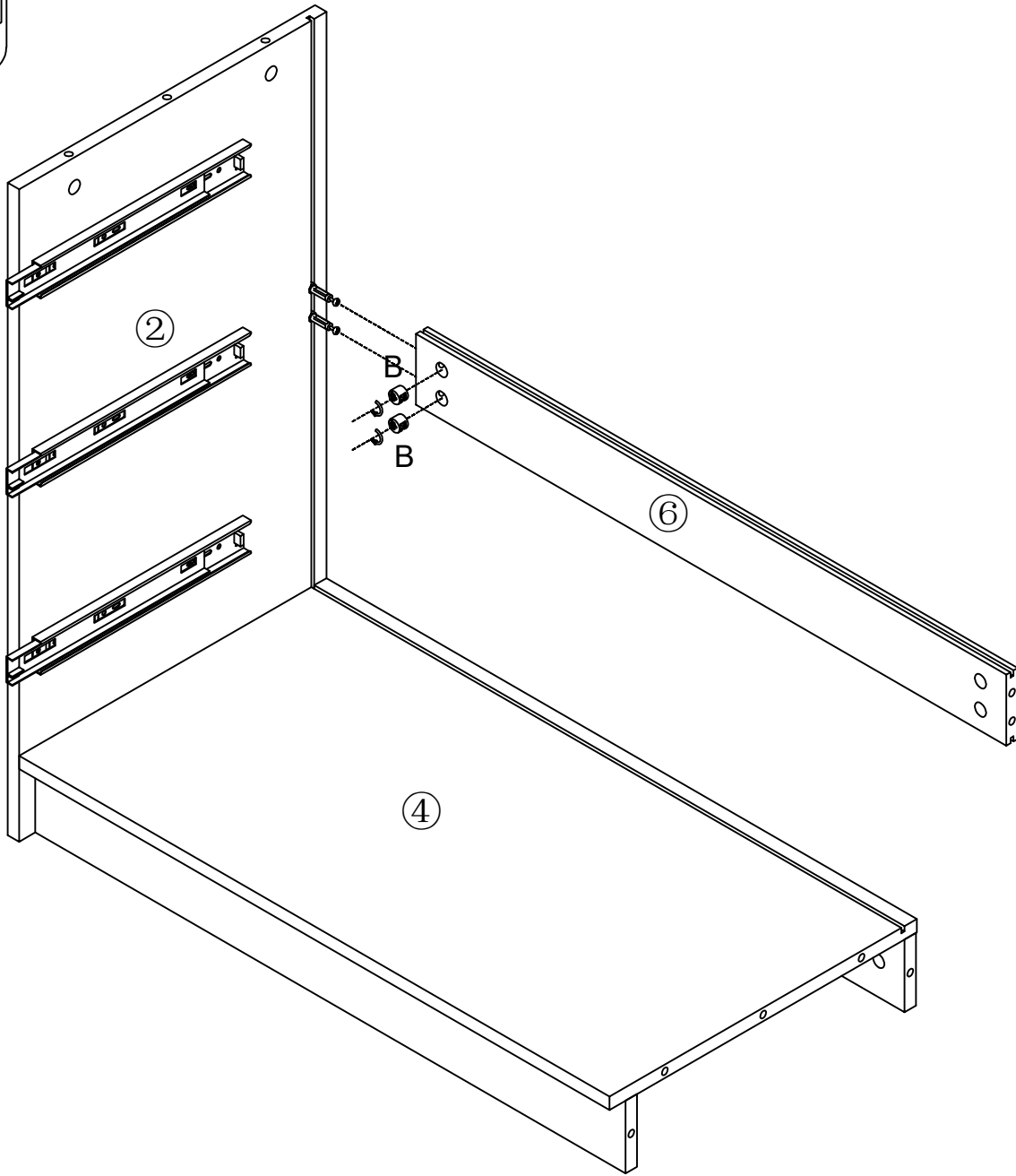
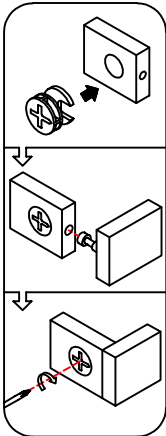
**B**  4PCS  
8\*40

**C**  1PC

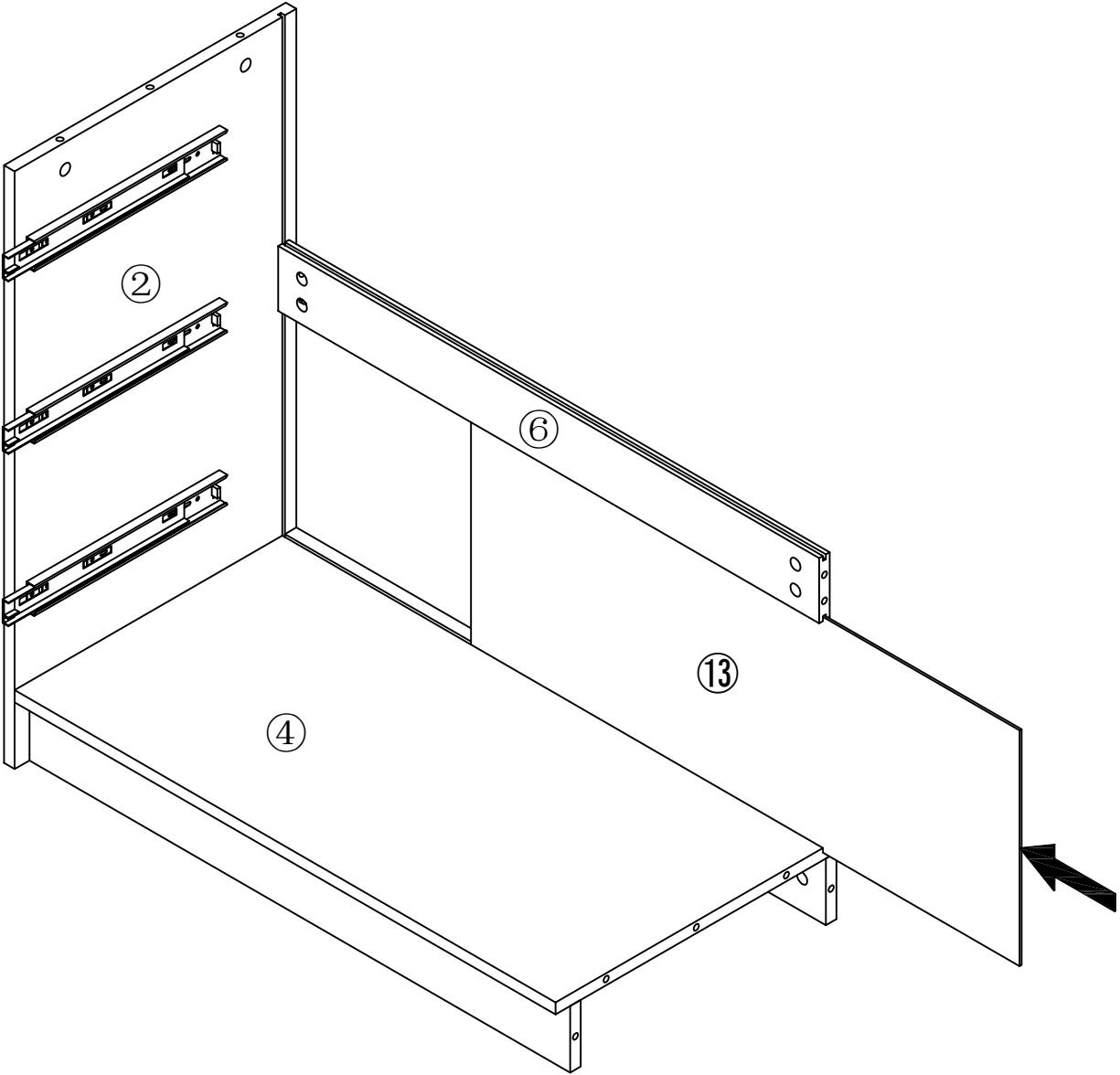


# STEP 6

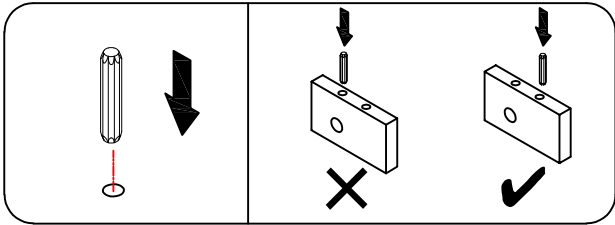
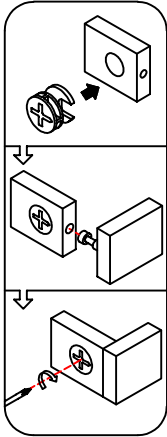
B  2PCS




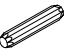
STEP 7

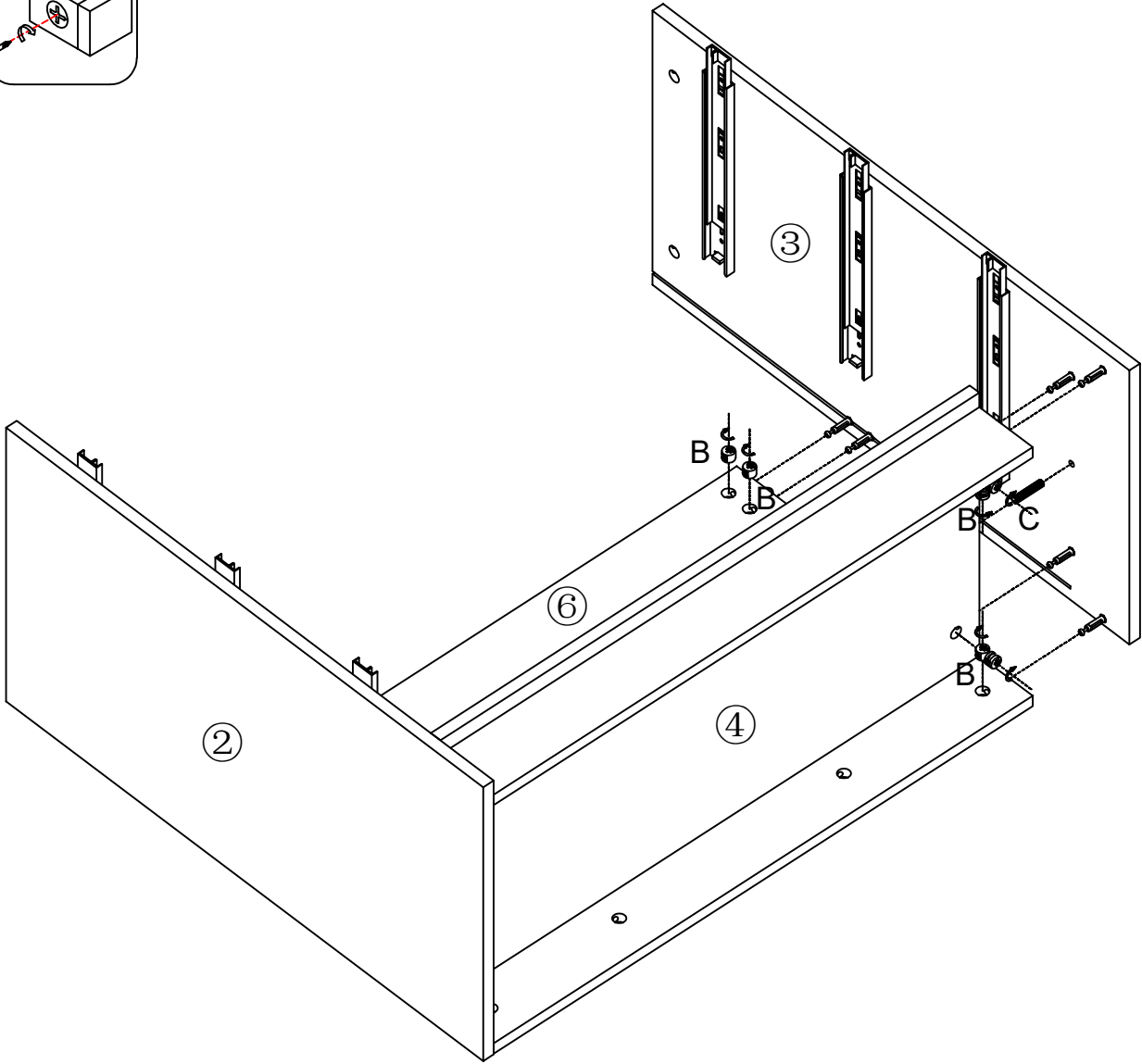


# STEP 8

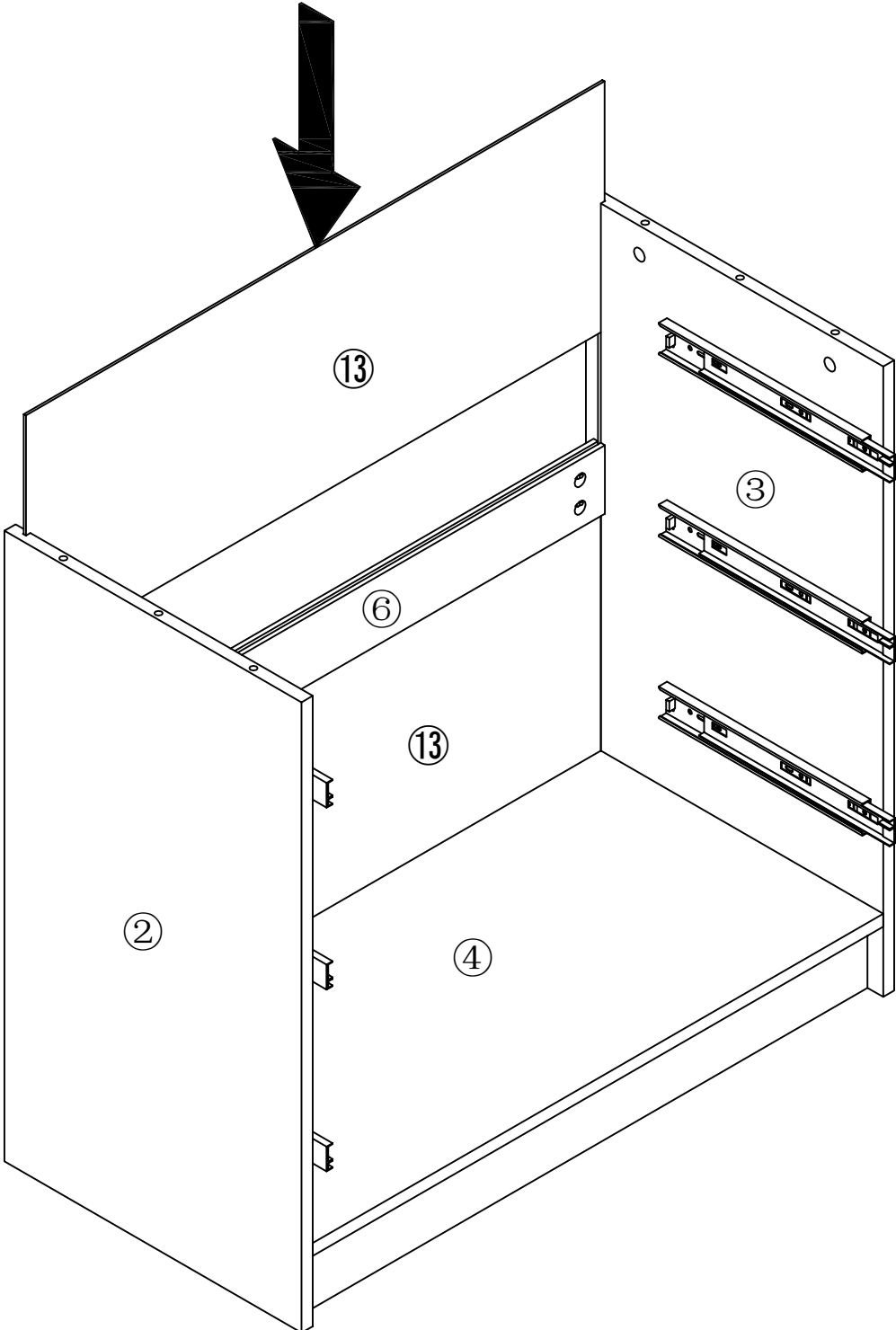


**B**  6PCS  
8\*40

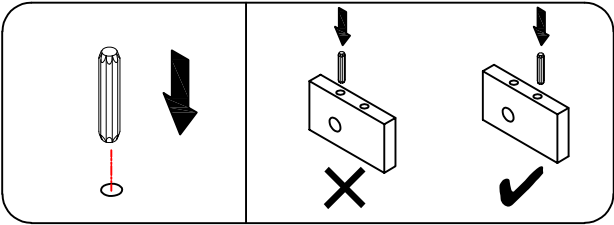
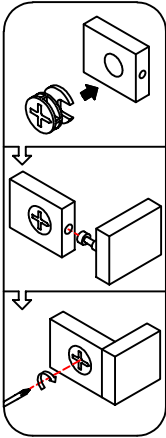
**C**  1PC




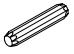
STEP 9

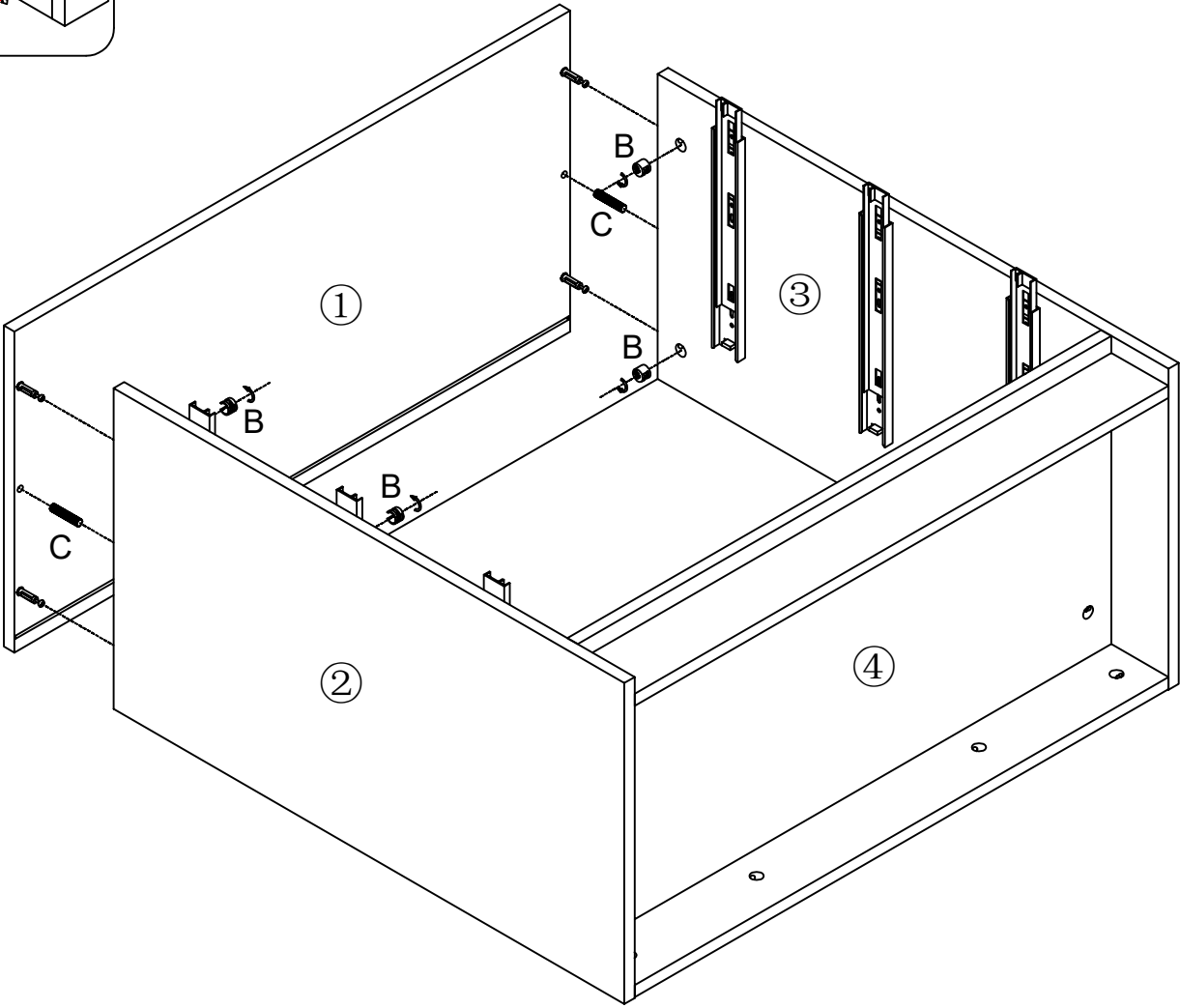


# STEP 10

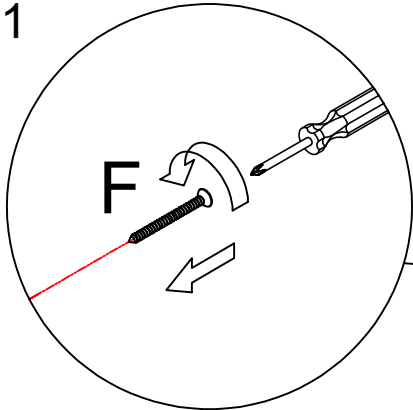



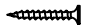
**B**  4PCS  
8\*40

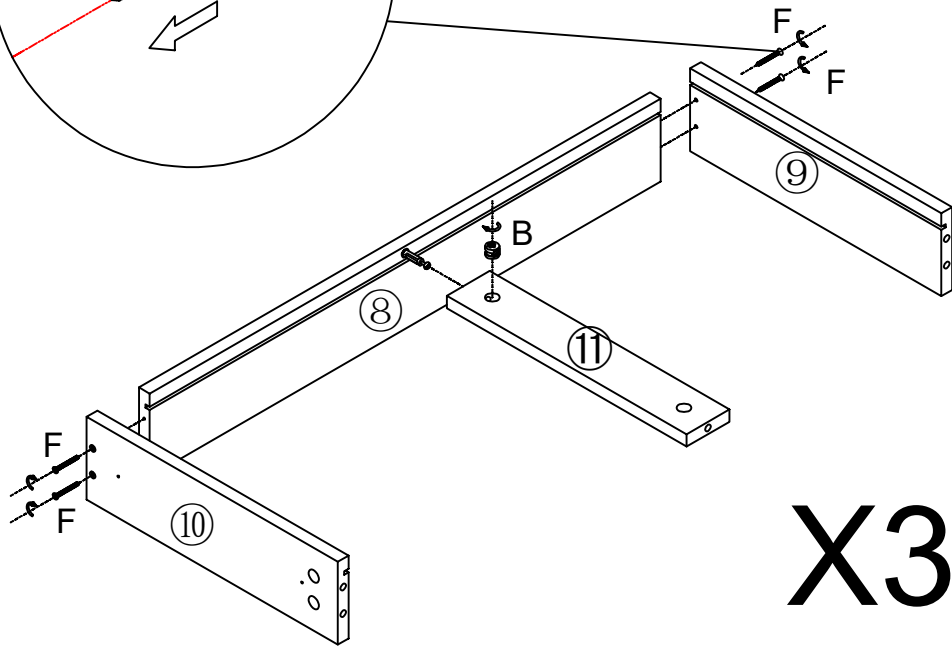
**C**  2PCS



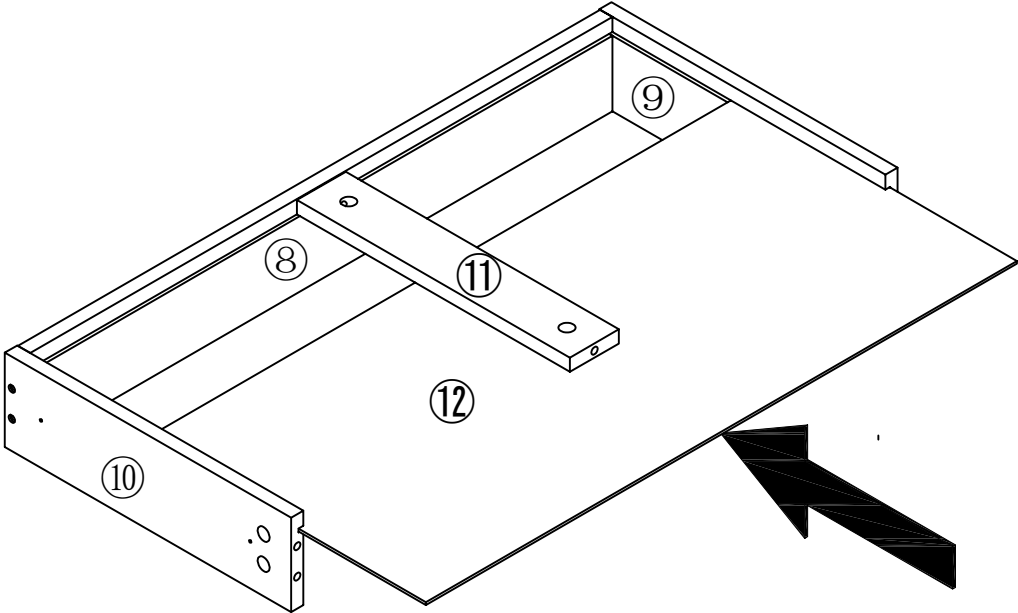
STEP 11




B	
	3PCS
F	
	12PCS

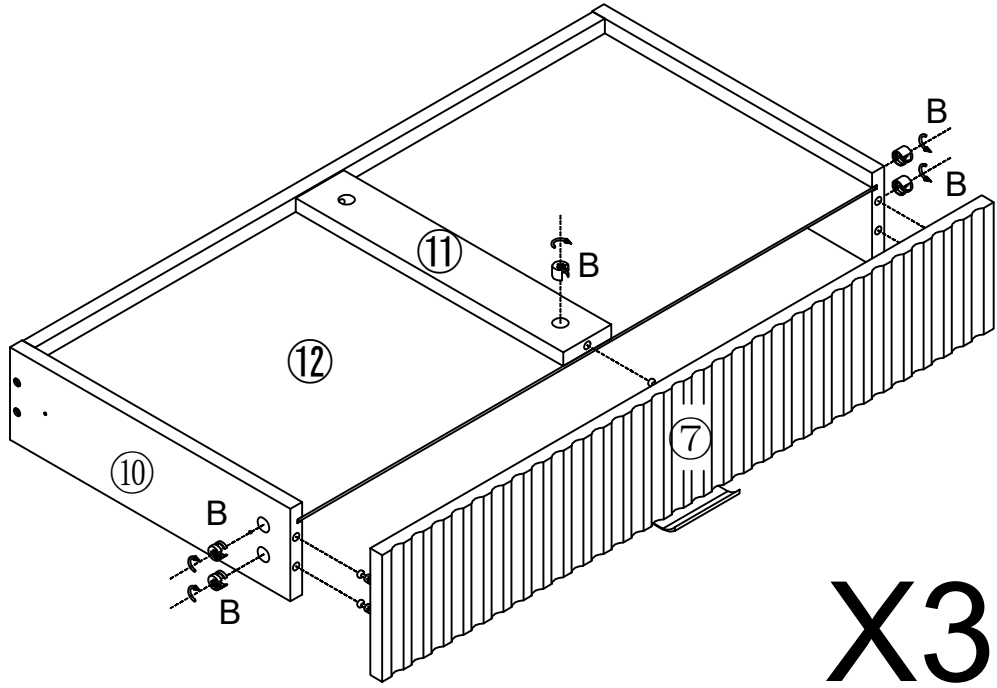
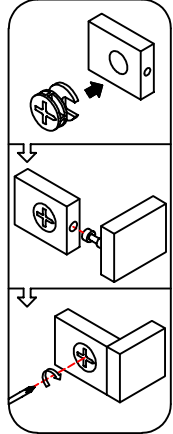


STEP 12




# STEP 13


**B**  15PCS

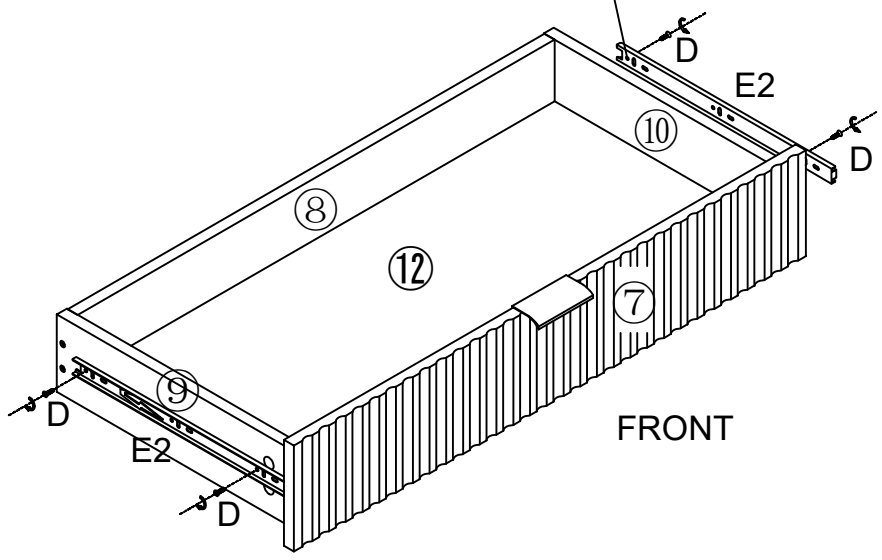
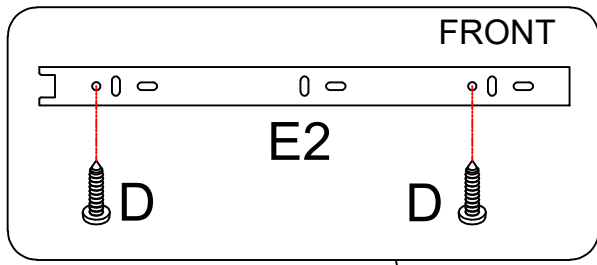


# X3

# STEP 14

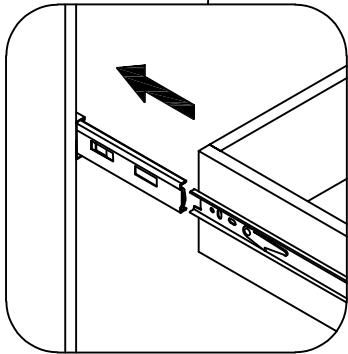
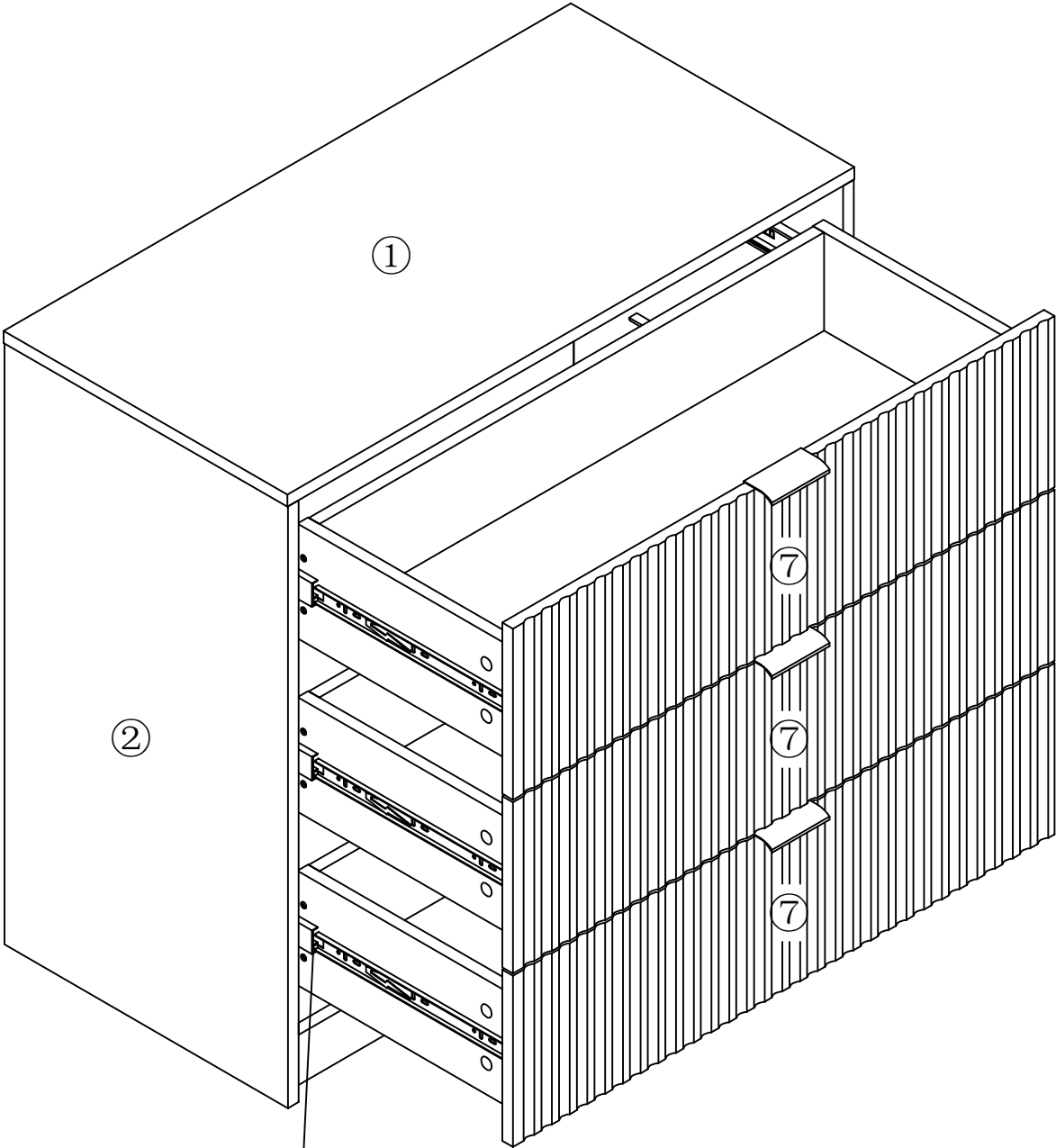
**D** 3.5\*14  
 12PCS

**E** 300mm  
 E2  
3SET



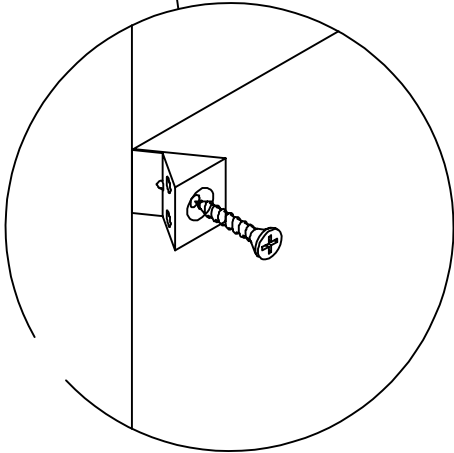
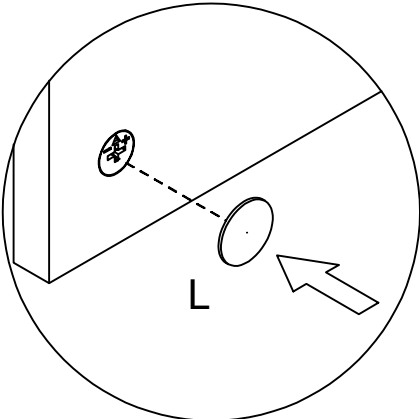
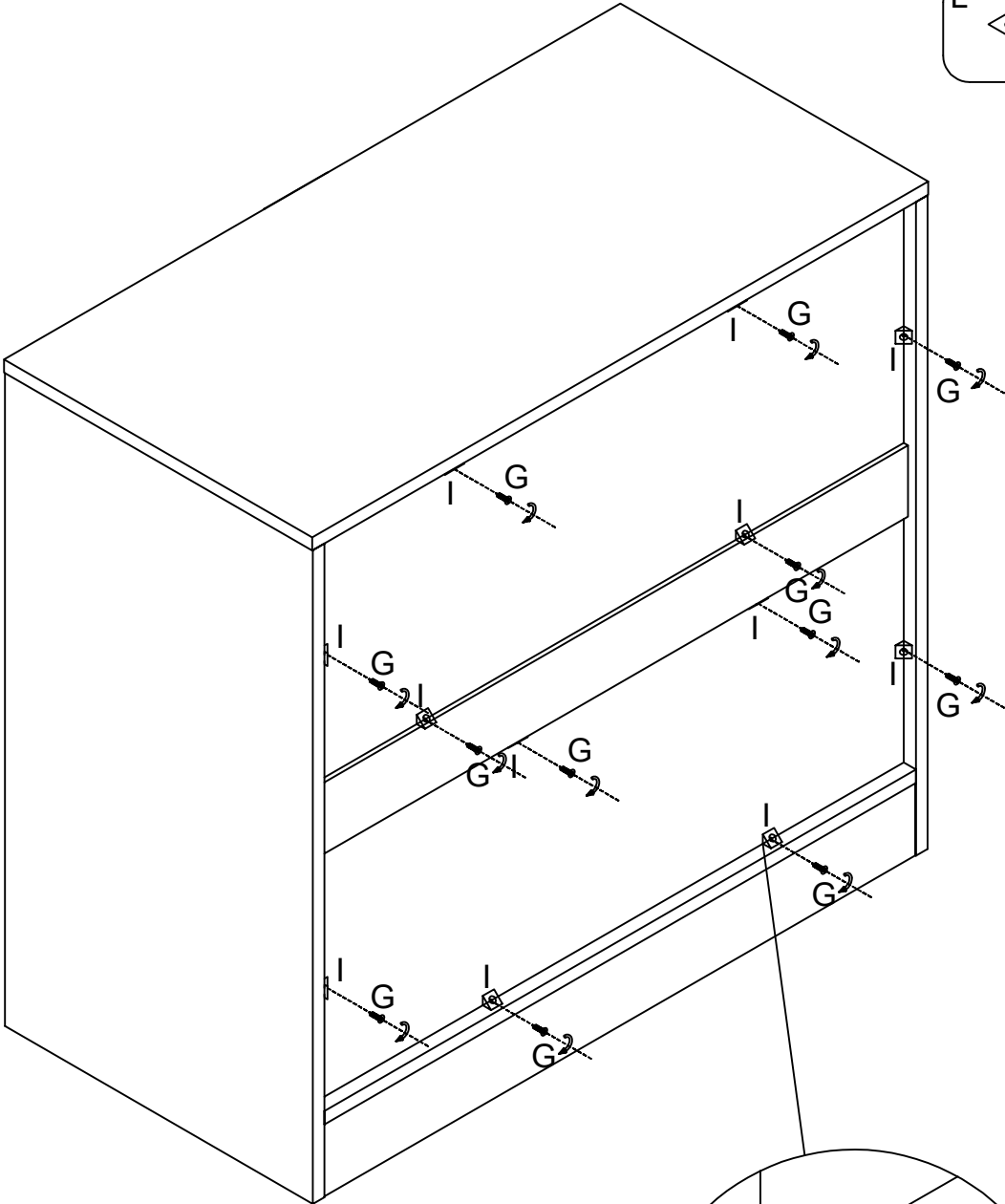
# X3

STEP 15



# STEP 16

- G** 3.5\*12  
12PCS
- I**  
12PCS
- L**  
20PCS



# STEP 17

