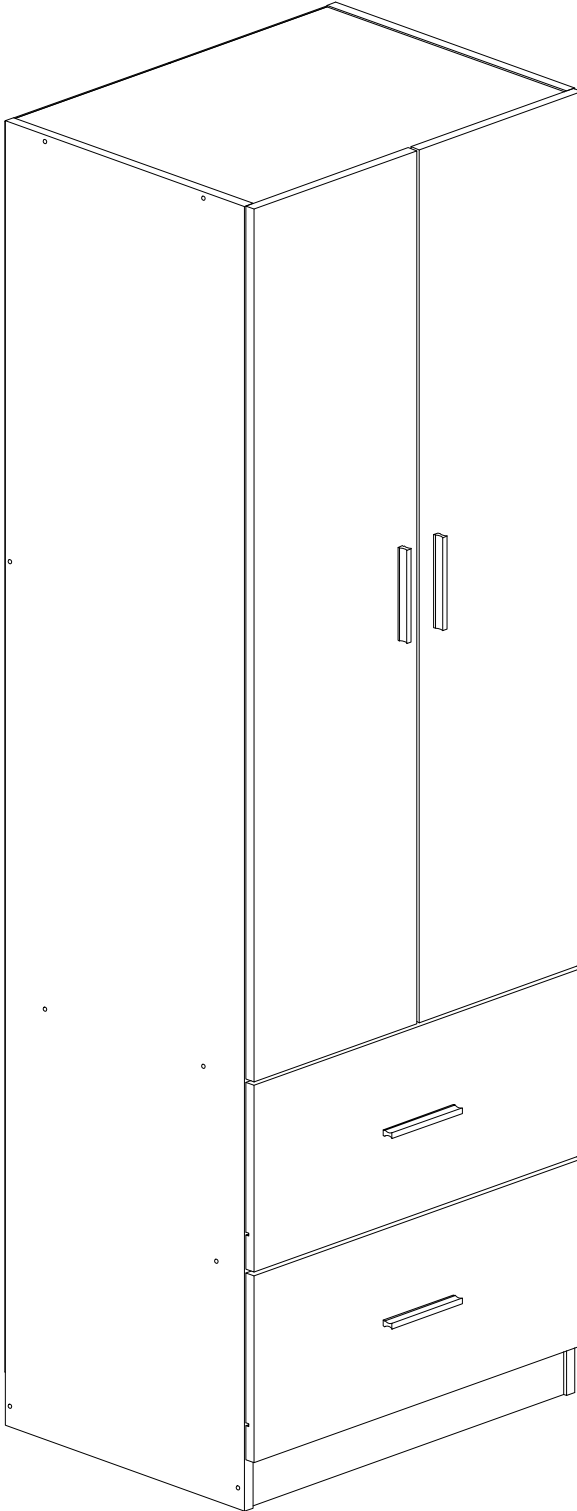


POSSINA

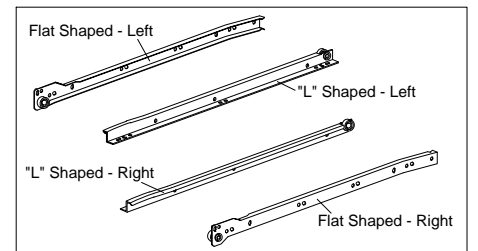
Assembly Instruction

Model : WILSON 2DS



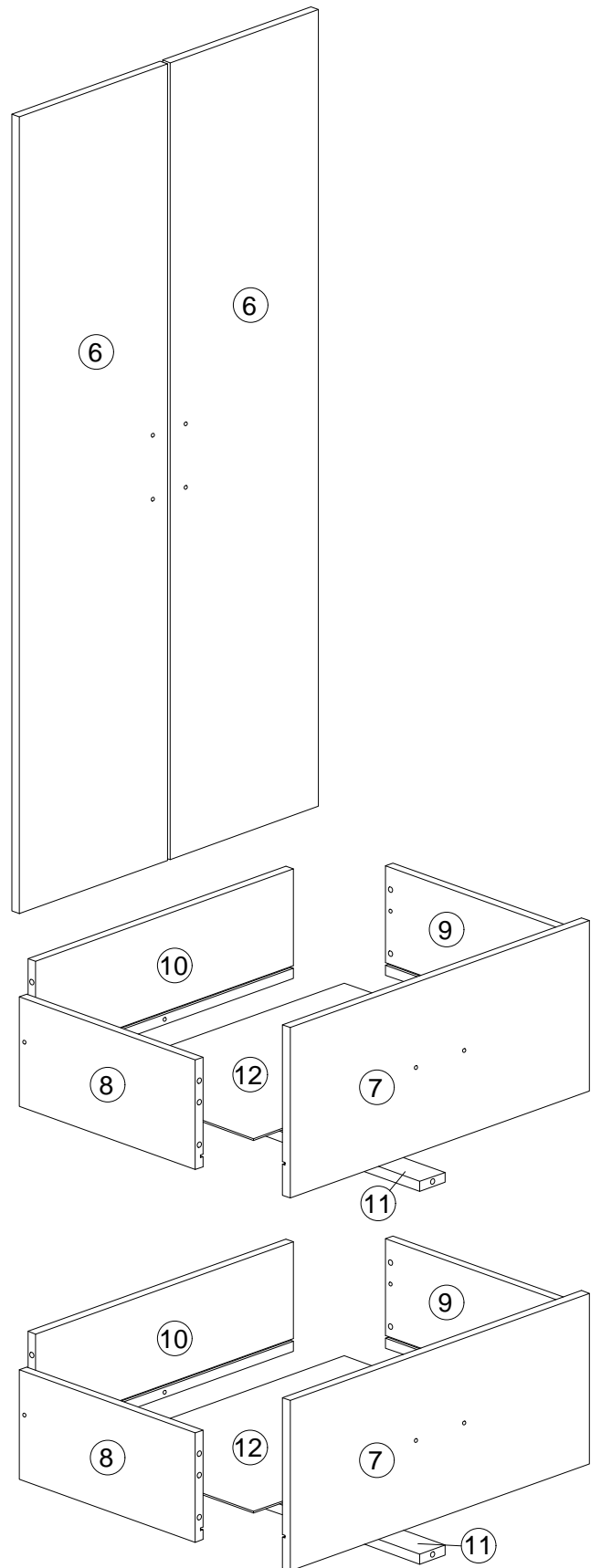
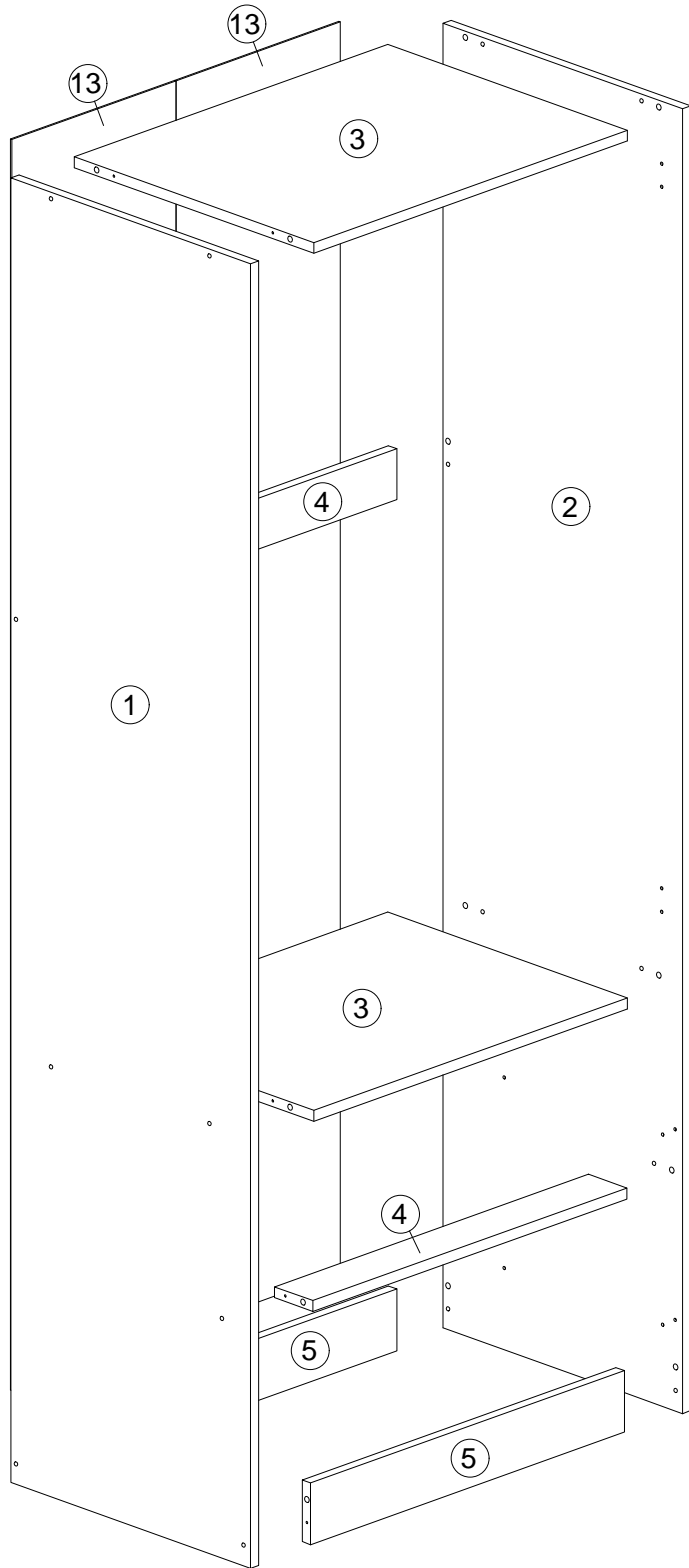
Hardware List			
No.	SHAPE	DESCRIPTION	Qty.
A		8x25mm Dowel (Wood)	32Pcs
B		15MM Myfix Minifix	6Sets
C		M3.5x16mm Screw	40Pcs
D		M4x45mm Screw	22Pcs
E		Hinges 5/8	4Pcs
F		V Bracket	2Pcs
G		Handle 7050.96	4Pcs
H		M4x25mm Screw	8Pcs
I		M3.5x12mm Screw	12Pcs
J		5/8 Nail With Pin	4Pcs
K		6/8 Power Pin	30Pcs
L		Drawer Slide (350mm)	2Sets
M		Aluminium Pipe(563mm)	1Pc
N		Sticker	16Pcs

Part List			
No.	Descriptions		Qty.
1	Side Left Panel	1795x435x15	1PC
2	Side Right Panel	1795x435x15	1PC
3	Partition Top Panel	435x570x15	2PCS
4	Front Back Rail	570x70x15	2PCS
5	Leg Panel	570x85x15	2PCS
6	Door Left Right	1201x295x15	2PCS
7	Drawer Front	595x257x15	2PCS
8	Drawer Side Left	350x165x15	2PCS
9	Drawer Side Right	350x165x15	2PCS
10	Drawer Back	513x165x15	2PCS
11	Drawer Rail	333x50x15	2PCS
12	Drawer Bottom	342x522x2.5	2PCS
13	Back Panel	1721x298.5x2.5	2PCS



Assembly Instruction

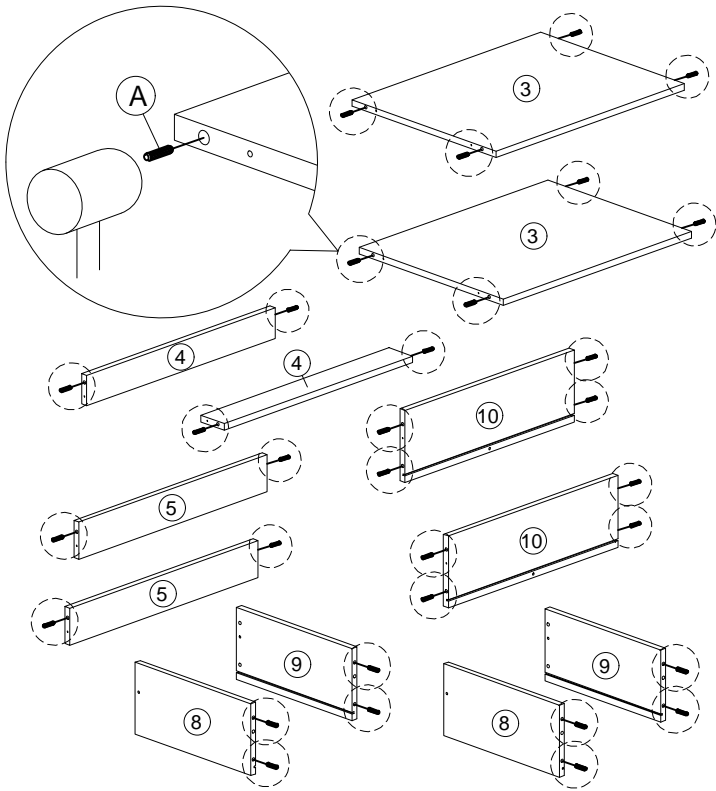
Part List



Assembly Instruction

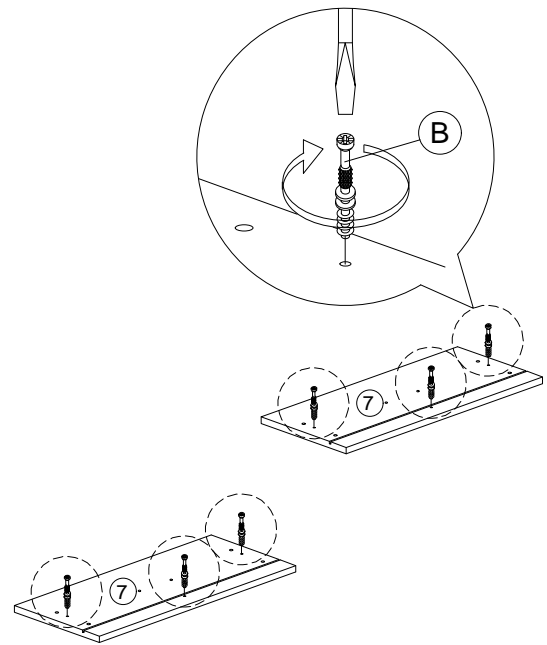
Step 1

A		8x25mm Dowel (Wood)	32Pcs
---	--	---------------------	-------



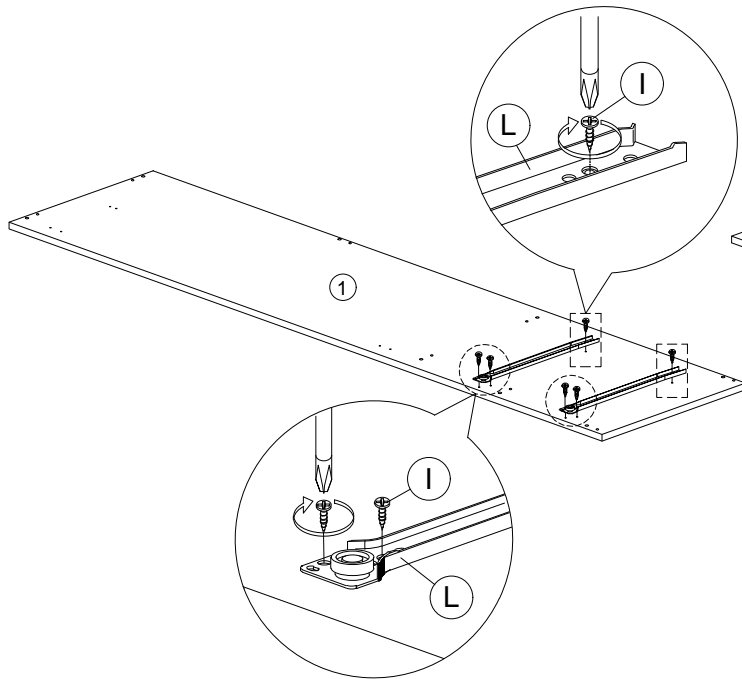
Step 2

B		Myfix	6Pcs
---	--	-------	------

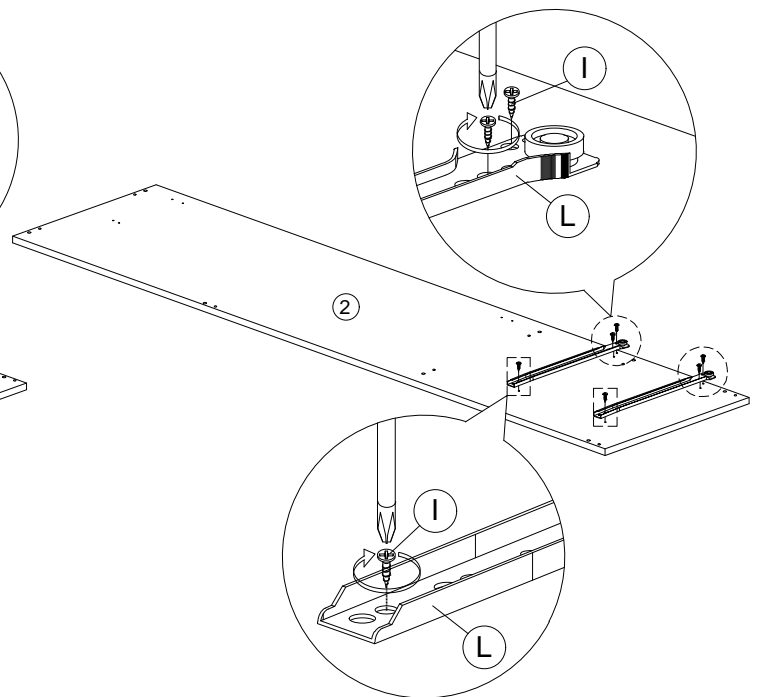


Step 3

I		M3.5x12mm Screw	12Pcs
L		Drawer Slide 350mm- R	2Pcs

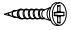


L		Drawer Slide 350mm - L	2Pcs
---	--	------------------------	------

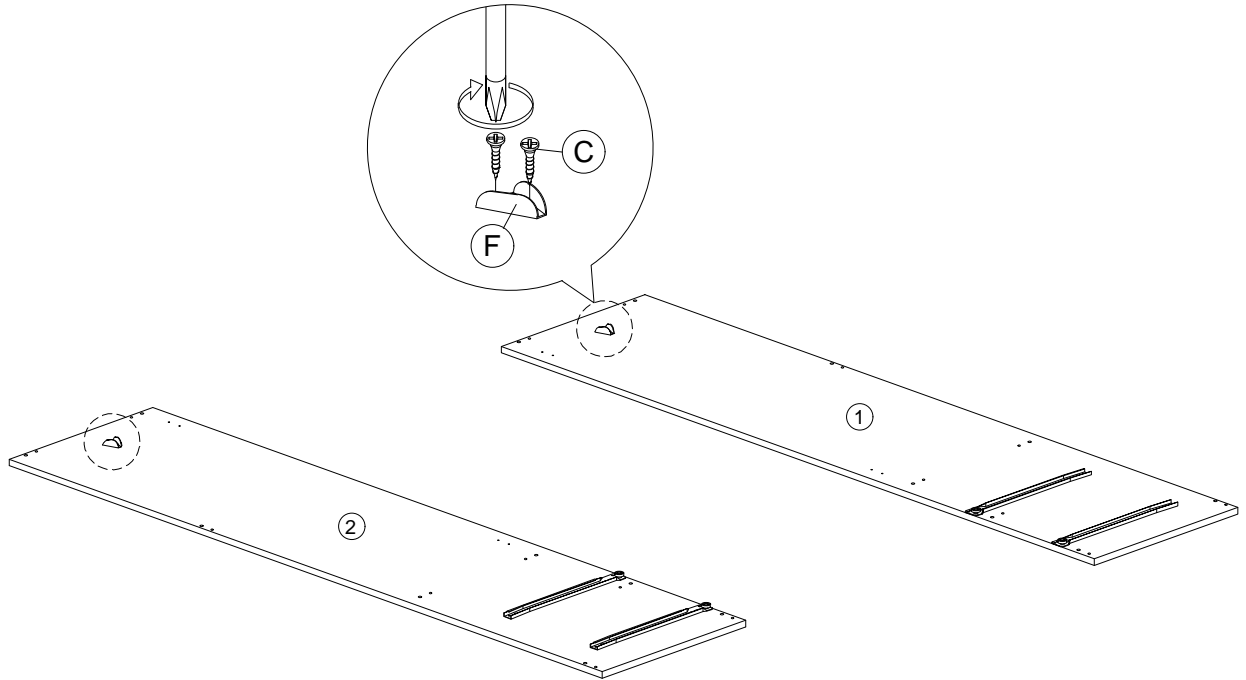


Assembly Instruction


Step 4


C		M3.5x16mm Screw	4Pcs
---	---	-----------------	------

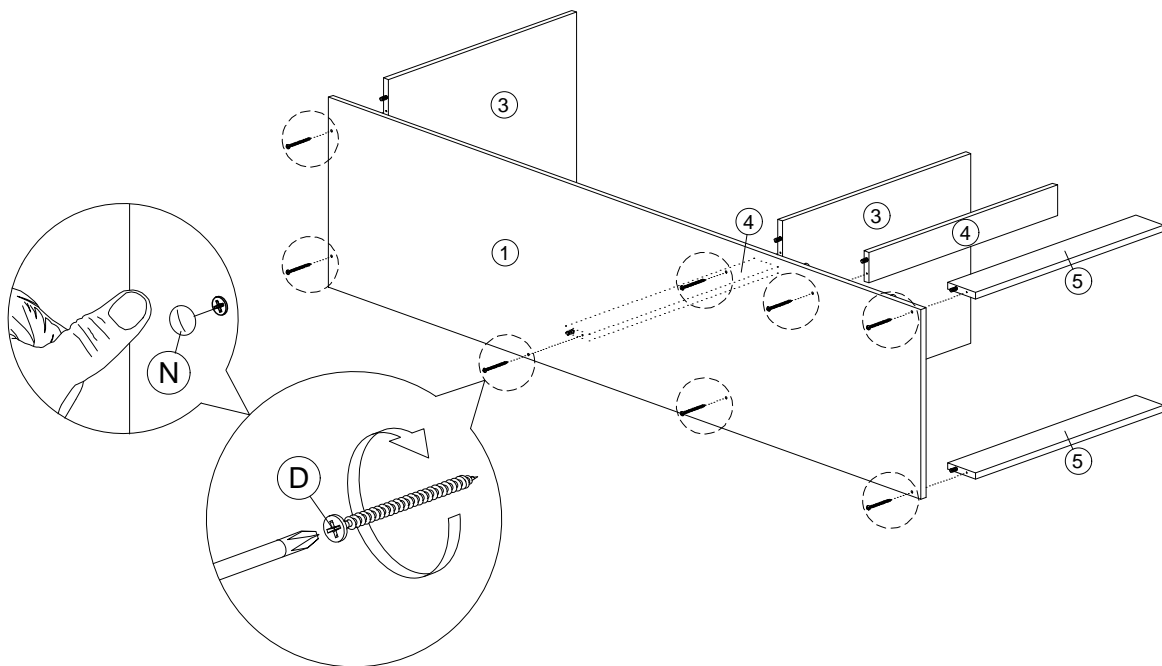
F		V Bracket	2Pcs
---	---	-----------	------



Step 5


D		M4x45mm Screw	8Pcs
---	---	---------------	------

N		Sticker	8Pcs
---	---	---------	------

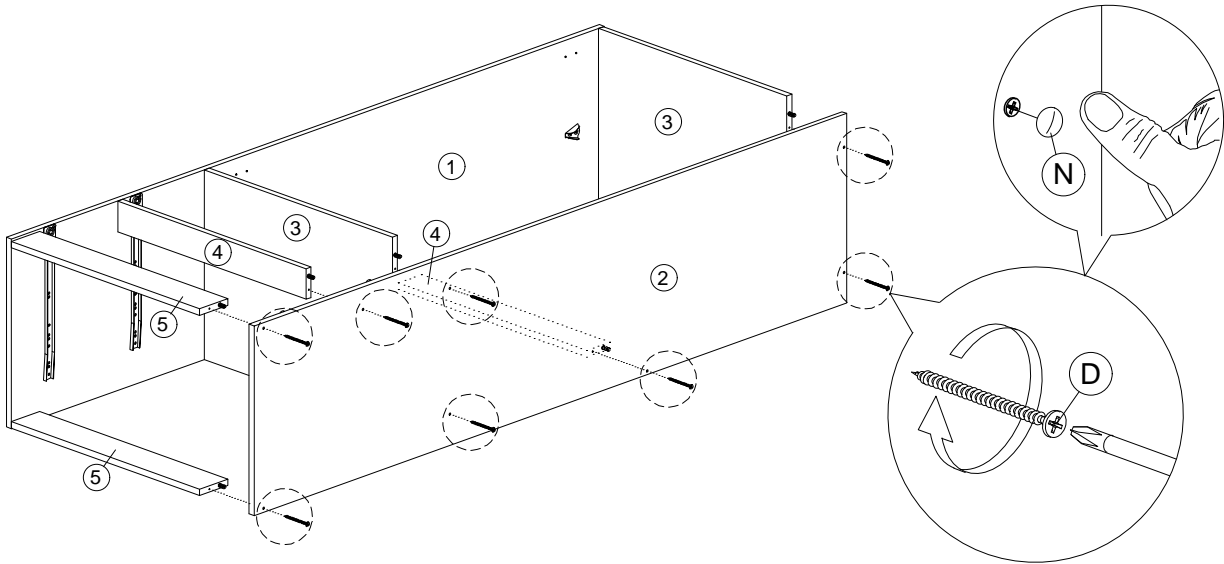


Assembly Instruction

Step 6

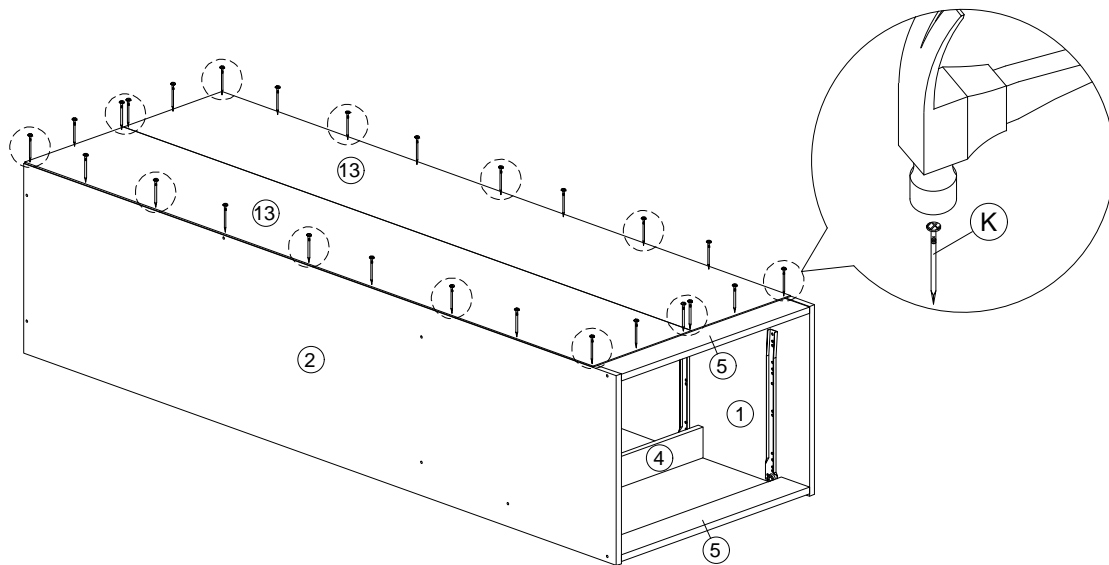
D		M4x45mm Screw	8Pcs
---	---	---------------	------

N		Sticker	8Pcs
---	---	---------	------



Step 7

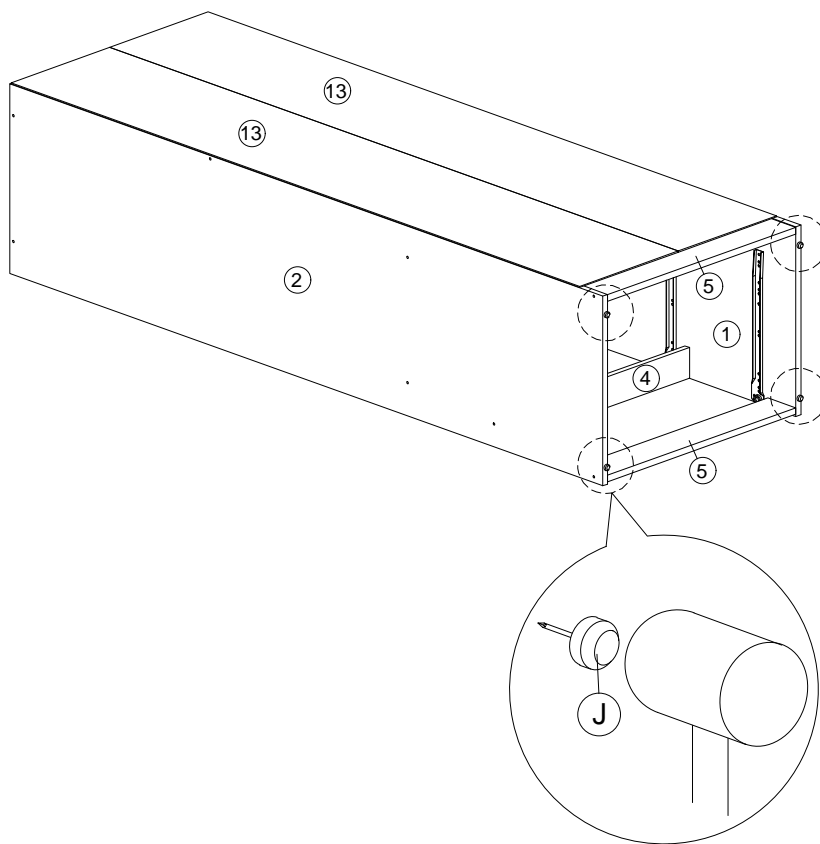
K		6/8 Power Pin	30Pcs
---	---	---------------	-------



Assembly Instruction


Step 8

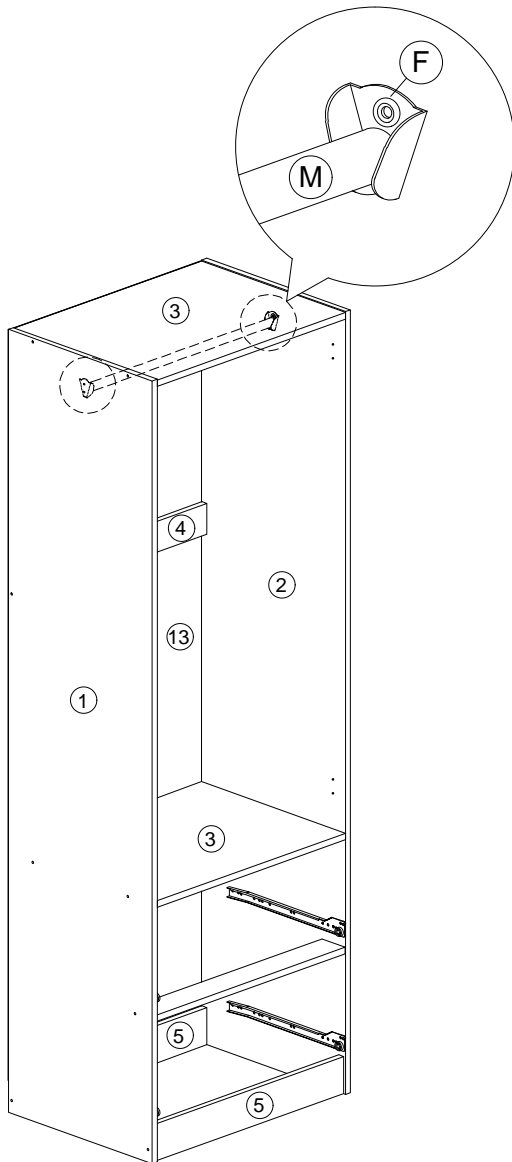
J		5/8 Nail With Pin	4Pcs
---	---	-------------------	------



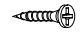

Assembly Instruction

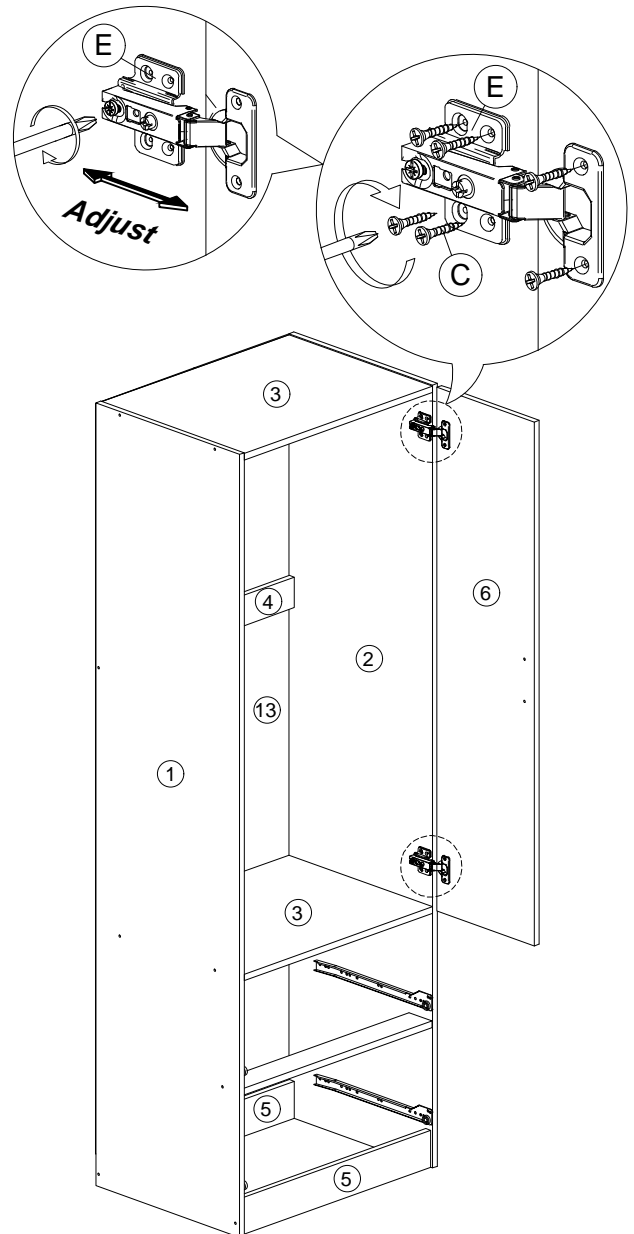
Step 9

M		Aluminium Pipe 563mm	1Pc
---	---	----------------------	-----




Step 10


C		M3.5x16mm Screw	12Pcs
E		Hinges 5/8	2Pcs

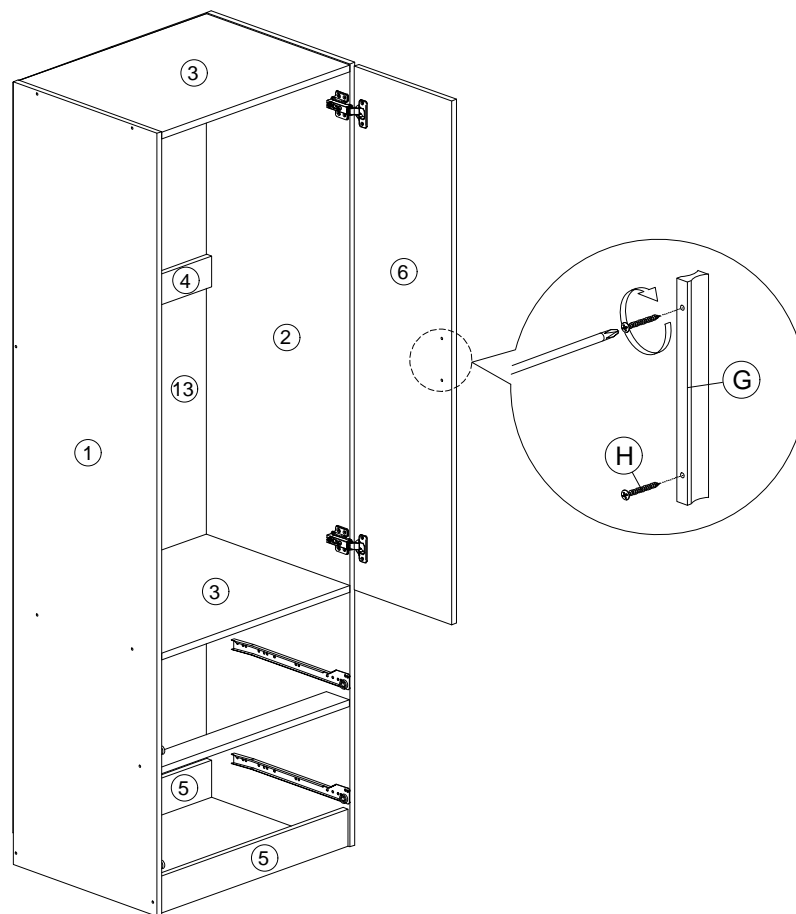


Assembly Instruction

Step 11

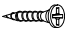
G		Handle 7050.96	1Pc
---	---	----------------	-----

H		M4x25mm Screw	2Pcs
---	---	---------------	------

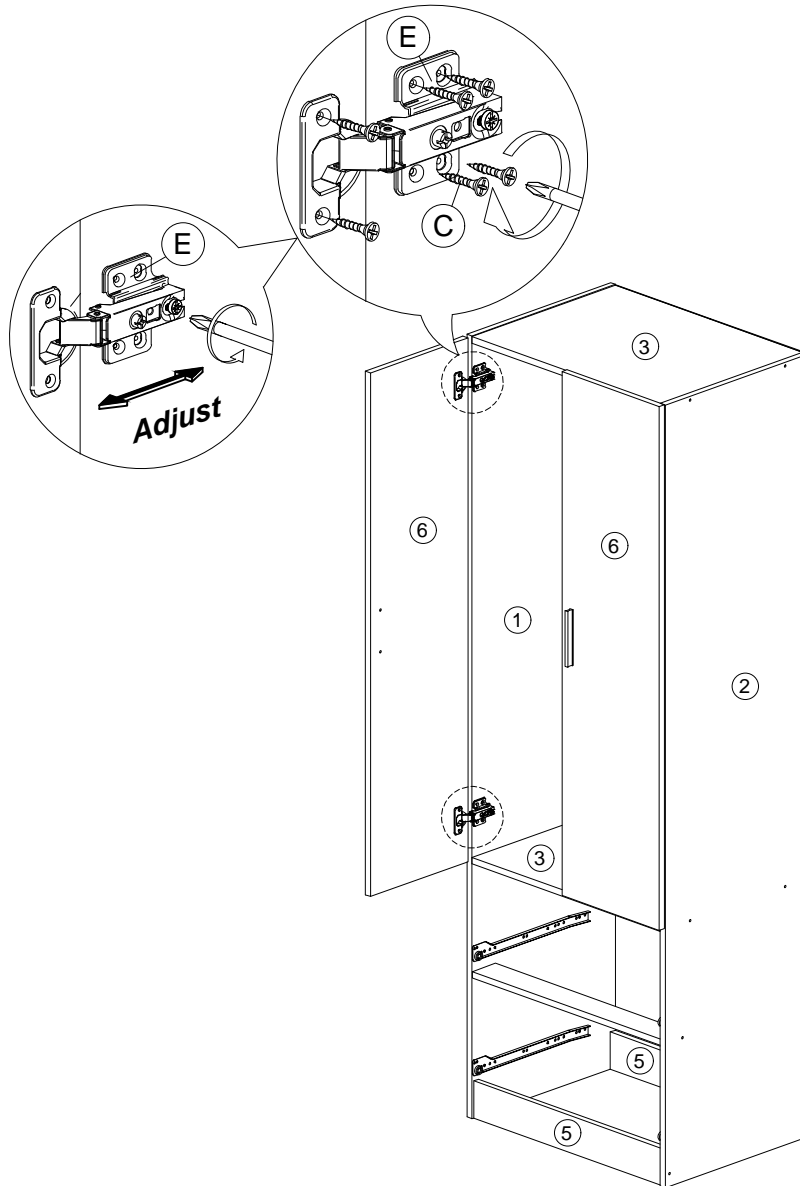


Assembly Instruction

Step 12


C		M3.5x16mm Screw	12Pcs
---	---	-----------------	-------

E		Hinges 5/8	2Pcs
---	---	------------	------

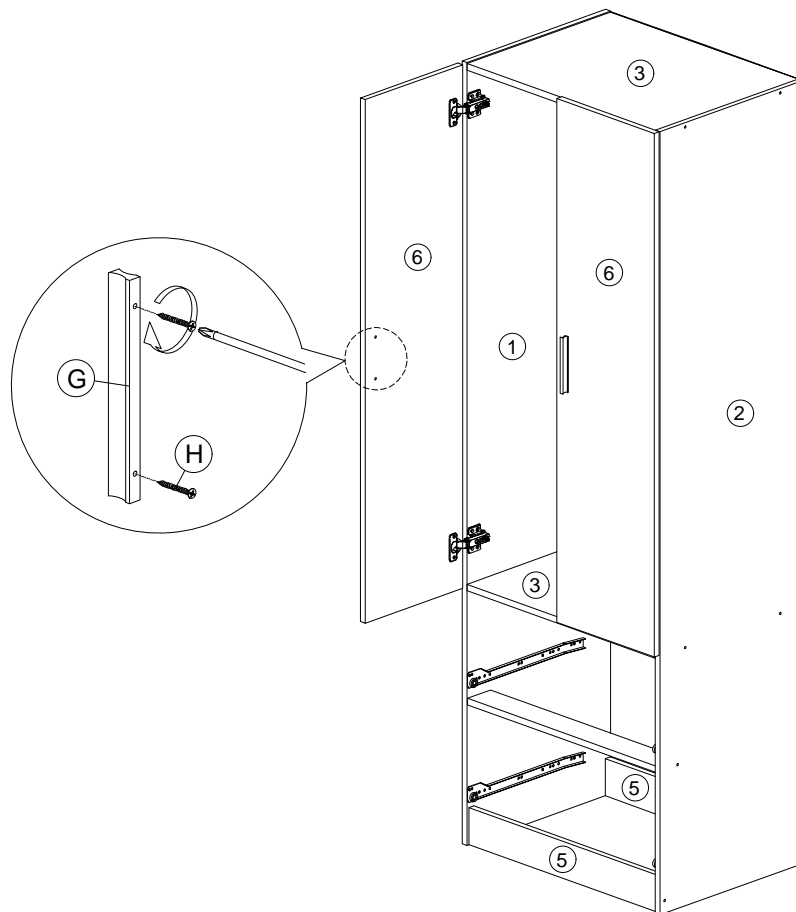


Assembly Instruction

Step 13


G		Handle 7050.96	1Pc
---	---	----------------	-----

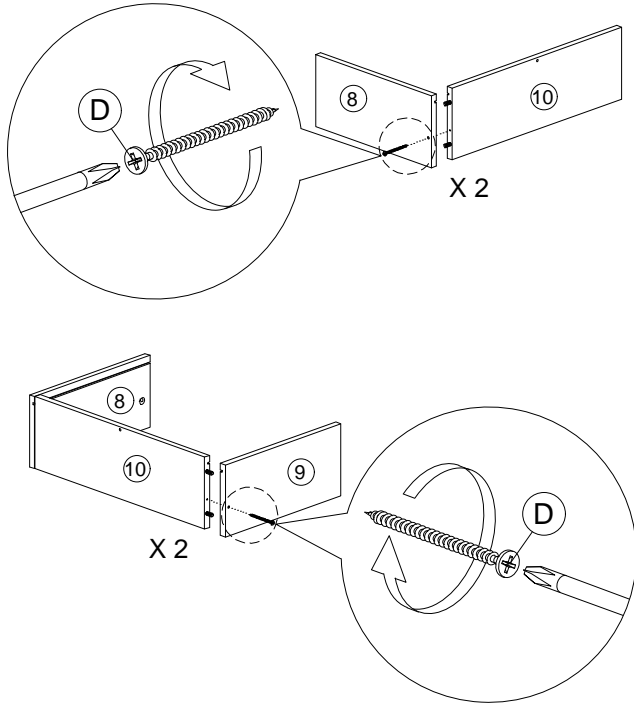
H		M4x25mm Screw	2Pcs
---	---	---------------	------




Assembly Instruction

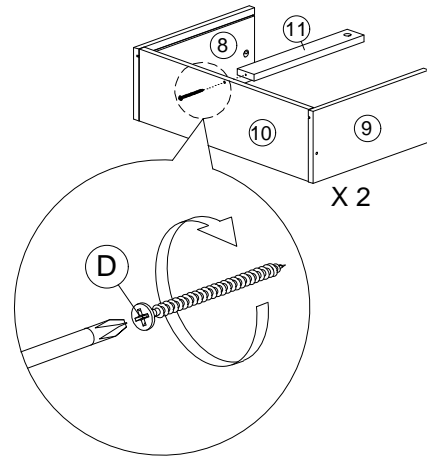
Step 14

D		M4x45mm Screw	4Pcs
---	---	---------------	------

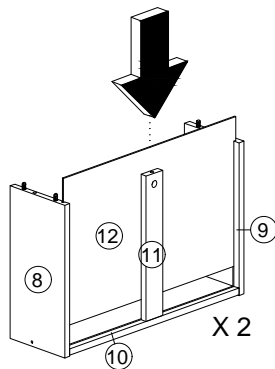


Step 15

D		M4x45mm Screw	2Pcs
---	---	---------------	------

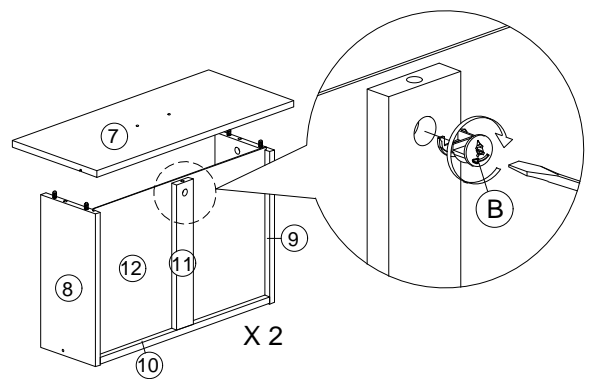


Step 16



Step 17

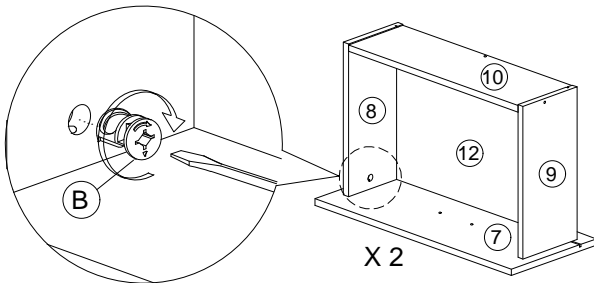
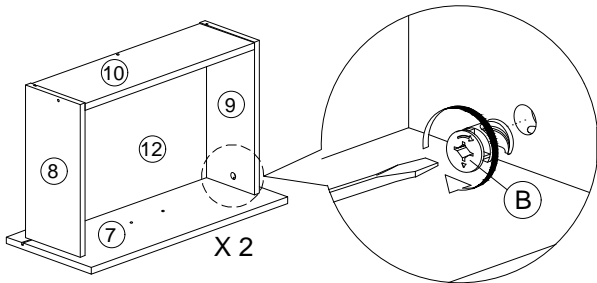
B		Minifix	2Pcs
---	---	---------	------





Assembly Instruction

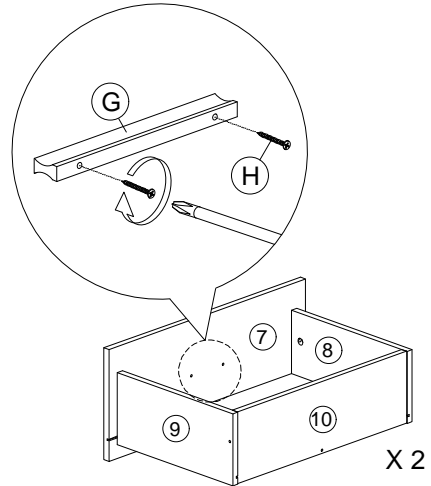
Step 18

B		Minifix	4Pcs
---	---	---------	------





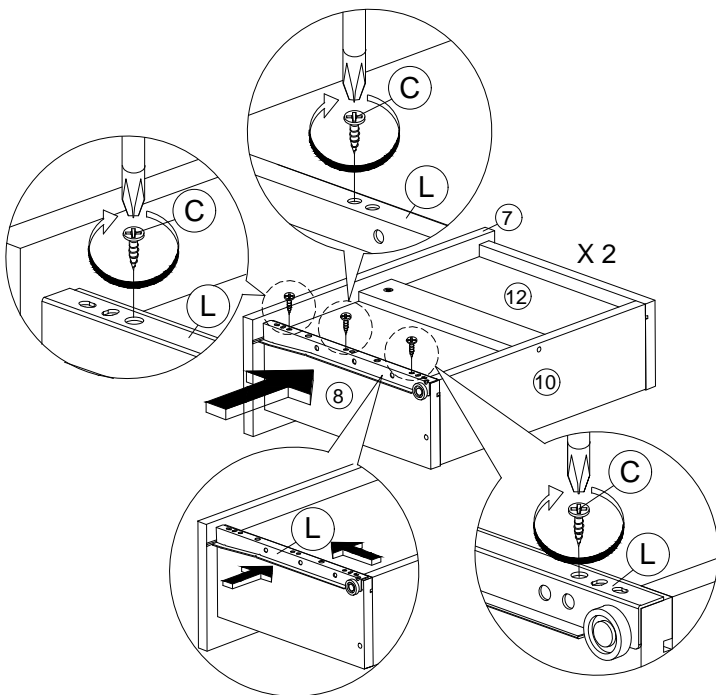
Step 19

G		Handle 7050.96	2Pcs
H		M4x25mm Screw	4Pcs





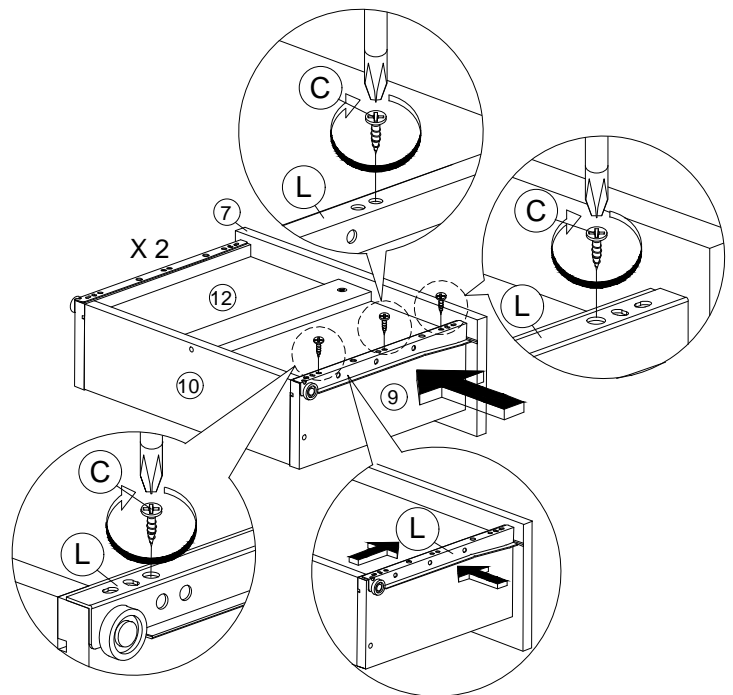
Step 20

C		M3.5x16mm Screw	6Pcs
L		Drawer Slide 350mm- L	2Pcs



Step 21

C		M3.5x16mm Screw	6Pcs
L		Drawer Slide 350mm- R	2Pcs



Assembly Instruction

Step 22

